

ESK+ 4-Bolt

Instructions for Use

ESK4BP30
ESK4BPPYR

SMARTIP4B30
SMARTIP4BPYR

ESK4B30
ESK4BPYR

| | | |
|----|-----------------------|-----|
| EN | Instructions for Use | 2 |
| DA | Brugsanvisning | 19 |
| NO | Bruksanvisning | 36 |
| FI | Käyttöohjeet | 53 |
| SV | Bruksanvisning | 70 |
| RU | Инструкция протезиста | 87 |
| ZH | 使用说明 | 104 |
| AR | إرشادات الاستخدام | 121 |

| | |
|--|----|
| Contents | 2 |
| 1 Description and Intended Purpose | 3 |
| 2 Safety Information | 5 |
| 3 Construction | 6 |
| 4 Function..... | 7 |
| 5 Maintenance | 7 |
| 6 Limitations on Use | 8 |
| 7 Static Alignment | 9 |
| 8 Alignment Advice and Stability Adjustment..... | 10 |
| 9 Front Stop Adjustment - Adjustable Trunnion..... | 11 |
| 9.1 Further Adjustments..... | 12 |
| 10 Assembly Instructions | 13 |
| 10.1 Changing Front Stop Buffer..... | 13 |
| 10.2 Changing Shin Stops..... | 13 |
| 10.3 Removing ESK+ Mechanism | 14 |
| 10.4 Replacement of ESK+ Mechanism | 15 |
| 11 Technical Data | 16 |
| 12 Ordering Information | 17 |

1 Description and Intended Purpose

These Instructions for Use are intended for use by the practitioner and user unless otherwise stated.

The term device is used throughout these instructions for use to refer to 4-Bolt ESK+ products.

Please read and ensure you understand all instructions for use, in particular all safety information and maintenance instructions.

Application

This device is to be used exclusively as part of a lower limb prosthesis.

This device is for a single user.

This device is a knee unit that provides a uniaxial frame for a weight activated stabilized knee which provides support for the prosthesis at various cadences on a variety of terrains and is intended to improve safety and reduce compensation.

The shin can be fitted with a PSPC (Pneumatic Swing Phase Control), a SmartIP (Smart Intelligent Prosthesis) or supplied without a cylinder.

The device has a choice of 4-bolt or T-slot connections proximally and a choice of male pyramid or 30 mm tube clamp connections distally.

Features

| | Manually adjusted PSPC | Microprocessor controlled SmartIP |
|--|---------------------------|--------------------------------------|
| Stance flexion during weight bearing | ✓ | ✓ |
| Tough carbon fibre frame | ✓ | ✓ |
| 140 degree knee flexion | ✓ | ✓ |
| Adjustable sensitivity of knee stability | ✓ | ✓ |
| Independent manually adjustable swing controls for flexion and extension | ✓ | |
| Microprocessor controlled swing control in flexion with manually adjustable terminal impact damping in extension | | ✓ |

Activity Level

This device is for Activity Level 2, 3 and 4 users (weight limits apply, see *Technical Data*).

This device might not be suitable for Activity Level 1 users or for use in competitive sports events. These types of users might be better served by a specially designed prosthesis that is optimized for their needs.

Activity Level 1

Has the ability or potential to use a prosthesis for transfers or ambulation on level surfaces at fixed cadence. Typical of the limited and unlimited household ambulator.

Activity Level 2

Has the ability or potential for ambulation with the ability to traverse low-level environmental barriers such as curbs, stairs, or uneven surfaces. Typical of the limited community ambulator.

Activity Level 3

Has the ability or potential for ambulation with variable cadence. Typical of the community ambulator who has the ability to traverse most environmental barriers and may have vocational, therapeutic, or exercise activity that demands prosthetic utilization beyond simple locomotion.

Activity Level 4

Has the ability or potential for prosthetic ambulation that exceeds basic ambulation skills, exhibiting high impact, stress, or energy levels. Typical of the prosthetic demands of the child, active adult, or athlete.

Clinical Benefits

- Weight-activated stance control and adjustable swing control provide smooth, safe gait with a free knee.
- Microprocessor swing control allows optimized gait characteristics across a range of walking speeds. (SmartIP only.)
- The stabilizing mechanism has a resilient action which provides limited stanceflexion under load to absorb shock loads at heel strike.

Contraindications

This device is not suitable for:

- Users with extreme muscular weakness, contractures that cannot be correctly accommodated, or proprioceptive dysfunction including poor balance.
- Users with contralateral joint instabilities or pathology.
- Users with complicated conditions involving multiple disabilities.
- Users, including bilateral transfemoral amputees, who require a yielding function from the knee to descend stairs or to sit. This can result in damage of the brake mechanism that can adversely affect stability and durability.



Users must be given gait training before using this device.



Make sure that the user has understood all instructions for use, drawing particular attention to all maintenance and safety information sections.

2 Safety Information



This warning symbol highlights important safety information.



Beware of finger trap hazard all times.



Any changes in the performance or function of the limb e.g. instability, double-action, restricted movement, non-smooth motion or unusual noises should be immediately reported to your service provider.



Always use a hand rail when descending stairs and at any other time if available.



Any excessive changes in the heel height after finalization of alignment may adversely affect limb function.



Ensure only suitably retrofitted vehicles are used when driving. All persons are required to observe their respective driving laws when operating motor vehicles.



Care should be taken when carrying heavy loads as this may adversely affect the stability of the device.



The user should be advised to contact their practitioner if their condition changes.



Avoid exposure to extreme heat and/or cold.



Assembly, maintenance and repair of the device must only be carried out by a suitably qualified clinician.

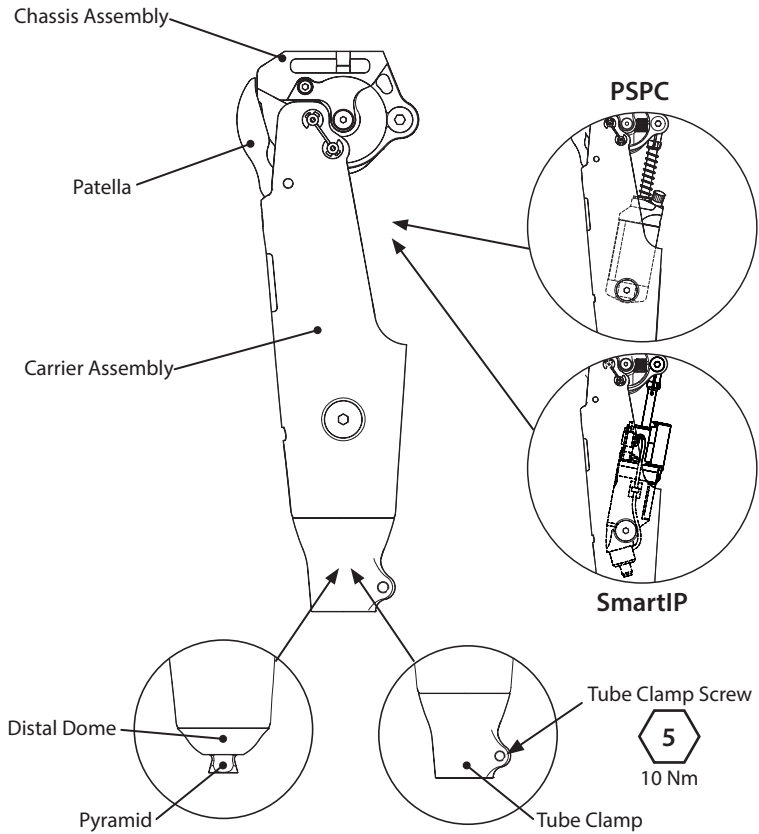


The device is not intended for use when immersed in water or as a shower prosthesis. If the limb comes into contact with water wipe dry immediately.

3 Construction

Principal Parts

- Carrier Assembly Carbon fibre composite & stainless steel
- Chassis Assembly Aluminium alloy, stainless steel, engineering thermoplastic, fibre reinforced (asbestos free) friction material.
- Distal Dome Aluminium alloy
- Distal Pyramid Titanium with stainless steel bolt
- Distal Tube Clamp Aluminium alloy
- Patella Engineering thermoplastic
- PSPC Aluminium alloy, stainless steel, titanium, engineering thermoplastic
- SmartIP Control Cylinder Aluminium alloy, stainless steel, Titanium, engineering thermoplastic
Electronic components, batteries



4 Function

The knee is a uniaxial design comprising a knee pivot connecting a chassis to a carrier. A weight activated stabilising knee mechanism is housed within the chassis. The stabilising mechanism has a resilient action which provides limited stance flexion under load to absorb shock loads at heel strike.

A knee control cylinder sits within this frame assembly, fitted between the chassis posterior pivot and the carrier distal pivot.

The PSCP cylinder has manually adjustable valves which give independent control of flexion and extension resistance during swing phase.

The SmartIP control cylinder uses sensors inside the cylinder to monitor walking speed and automatically adjusts flexion resistance accordingly. Extension control is via fixed adjustment of a terminal impact damper.

5 Maintenance

Visually check the device regularly.

Report any changes in performance of this device to the practitioner/service provider e.g. unusual noises, increased stiffness or restricted/excessive rotation, significant wear or excessive discoloration from long term exposure to UV.

Inform the practitioner/service provider of any changes in body weight and/or activity level.

Cleaning

Use a damp cloth and mild soap to clean the outside surfaces. DO NOT use aggressive cleansers.

The remaining instructions in this section are for practitioner use only.

This maintenance must be carried out only by competent personnel (practitioner or suitable trained technician).

To maintain optimum performance, a periodic inspection for unacceptable noise, play and stability is recommended. The period between inspections is determined by factors such as the activity of the user, frequency of usage and the stability setting of the knee.

As a guide, if the setting is 6 clicks or above and the user averages 600,000 steps per annum, an annual inspection is recommended.

If the stability setting is less than 6 clicks and/or the user averages fewer than the average number of steps, the period in between inspections may be longer.

The use of a Limb Activity Monitor is recommended to determine step count.

We recommend adjusting the knee to the individuals' stability requirements to ensure optimal stability and durability. See adjustment guide/flow diagram.

At these inspections ;

- Check for visual defects that may affect proper function.
- Check front stop and replace if necessary.
- Check shin stops and replace if necessary.
- Dis-assemble, clean and reassemble.

Advise the user that a regular visual check of the device is recommended and any changes in performance of this device must be reported to the practitioner. Changes in performance may include: increase or decrease in knee stiffness, instability, reduced knee support (free movement), any unusual noise.

Storage and Handling

When storing for prolonged periods, the device should be kept dry and within a temperature range of -15 °C to 50 °C. (5 °F to 122 °F)

Use product packaging supplied.

6 Limitations on Use

Intended Life:

A local risk assessment should be carried out based upon activity and usage.

Lifting Loads

User weight and activity is governed by the stated limits.

Load carrying by the user should be based on a local risk assessment.

Environment:

Avoid exposing the device to corrosive elements such as water, acids and other liquids. Also avoid abrasive environments such as those containing sand for example as these may promote premature wear.

Exclusively for use between -15 °C and 50 °C (5 °F to 122 °F).



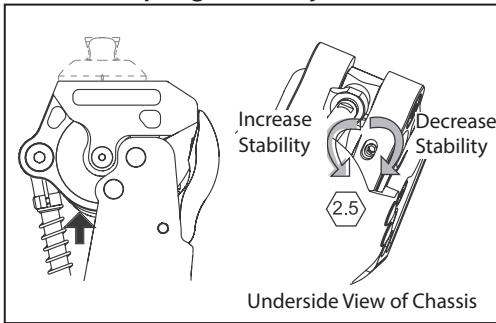
Suitable for outdoor use

7 Static Alignment

The instructions in this section are for practitioner use only.

Walking Trials

Spring Stack Adjuster



Fully extend limb to access the adjuster.

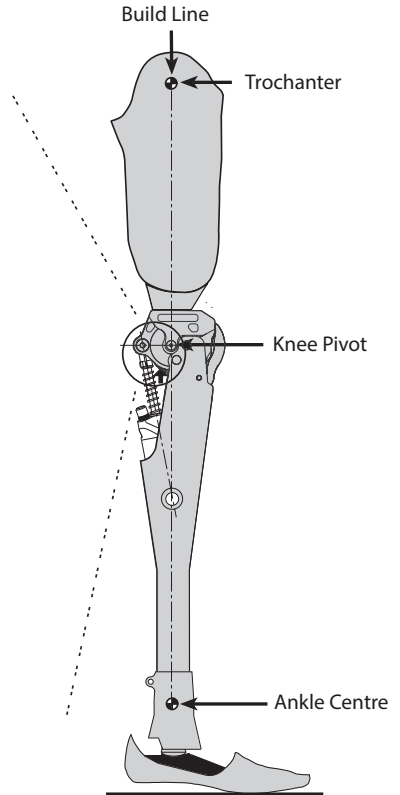
Rotate the **SPRING STACK ADJUSTER** to achieve the required stability for the individual amputee.

Note... Audible clicks should be heard upon adjustment, and the adjuster is self locking.

Tighten the **SPRING STACK** to reduce stability.

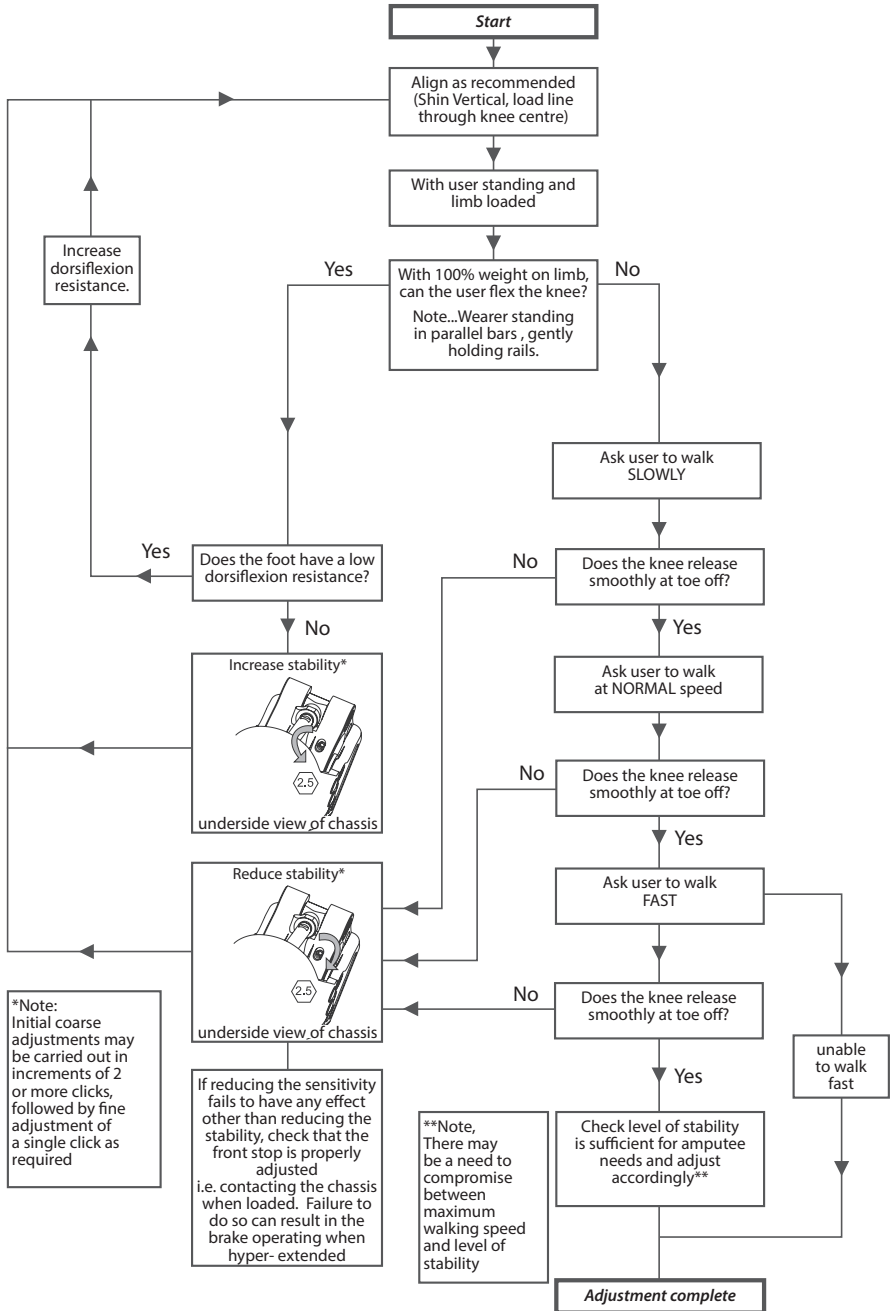
Release the **SPRING STACK** to increase stability
- See above.

If required, the adjuster may be reset to the factory setting. This can be achieved by reducing stability by six audible clicks from the maximum stability setting.



8 Alignment Advice and Stability Adjustment

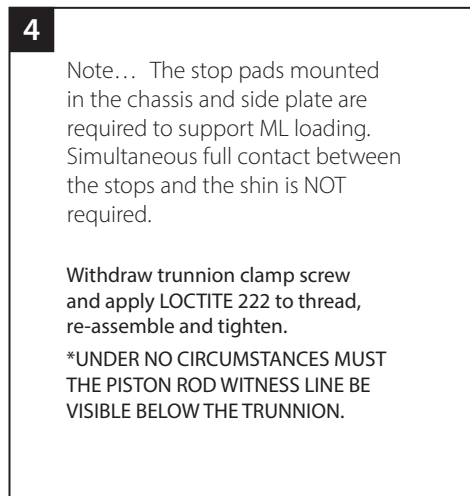
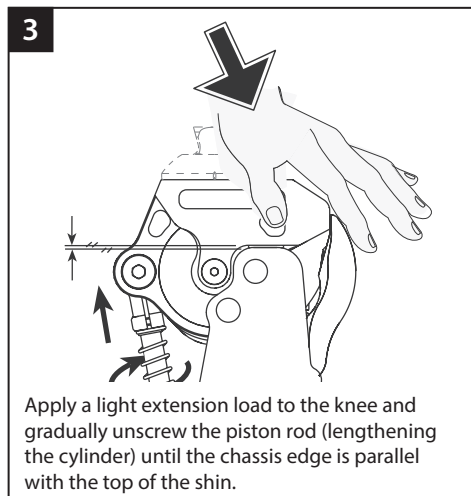
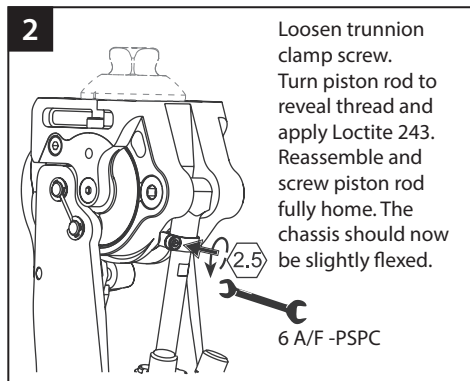
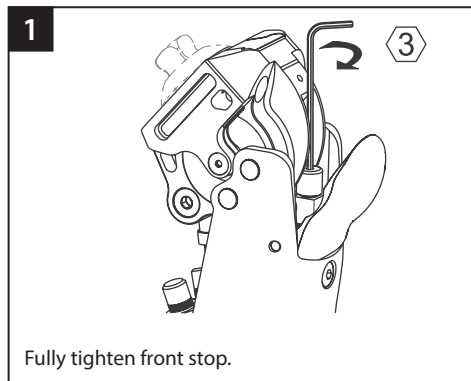
The instructions in this section are for practitioner use only.



9 Front Stop Adjustment - Adjustable Trunnion

The instructions in this section are for practitioner use only.

Fitted to the PSPC



Front Stop Adjustment - Non-Adjustable Intelligent Prosthesis

(As fitted to older SmartIP models.)

No adjustment is necessary when using these cylinders. They require the front stop to be fully tightened as shown in Stage 1.

For adjustment of swing control devices see appropriate IFU.

9.1 Further Adjustments

The instructions in this section are for practitioner use only.

| Symptom | Solution |
|---|--|
| Knee does not stabilise | Increase sensitivity |
| | Shift socket Anteriorly |
| | Replace stabilizing mechanism if trailing edge of brake is damaged |
| Knee does not release | Decrease sensitivity |
| | Check correct adjustment of piston rod length |
| | Shift socket posteriorly |
| Heel rise too high during swing | See control cylinder IFU |
| Heel rise too low during swing | See control cylinder IFU |
| User experiences terminal impact | See control cylinder IFU |
| Device does not fully extend during swing | See control cylinder IFU |

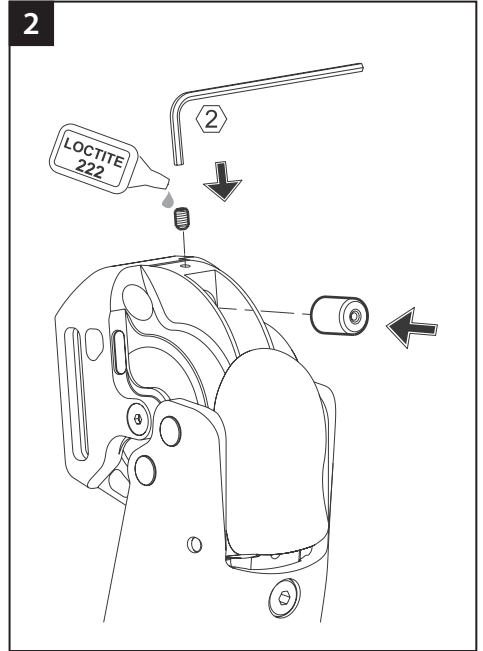
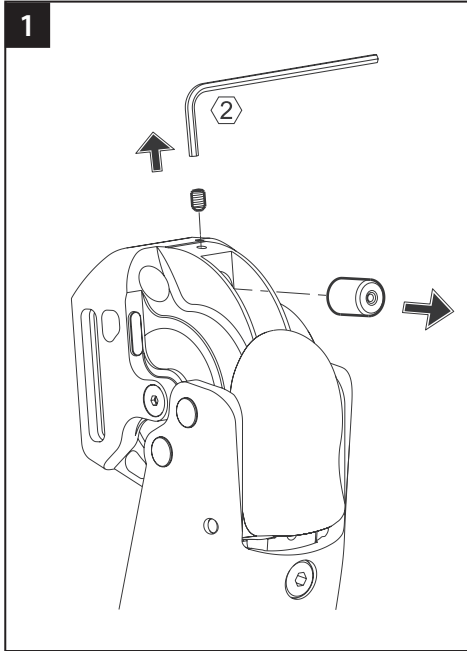
If after following these instructions you still have problems with the function please contact the sales team in your area for advice.

10 Assembly Instructions

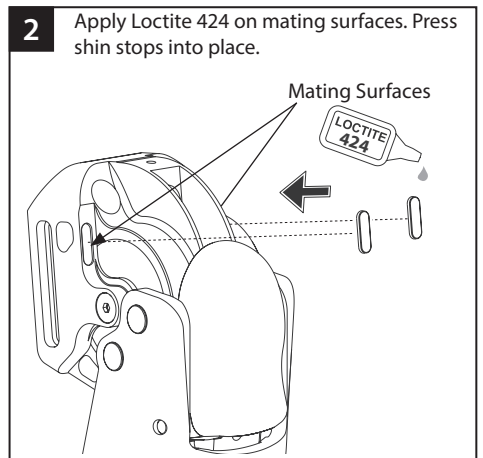
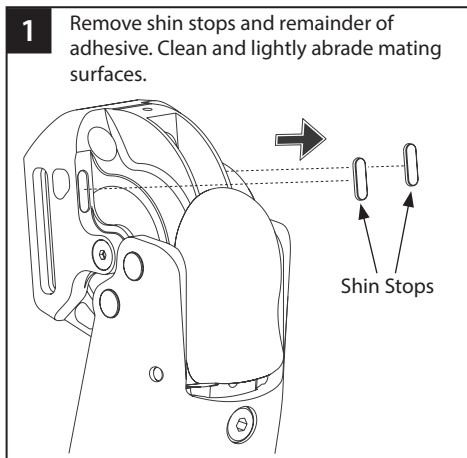
The instructions in this section are for practitioner use only.

10.1 Changing Front Stop Buffer

When fitting a new front stop, always re-adjust, and if applicable check length of cylinder if fitted with an adjustable trunnion. Adjust if necessary. (See previous page.)



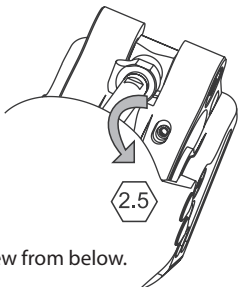
10.2 Changing Shin Stops



10.3 Removing ESK+ Mechanism

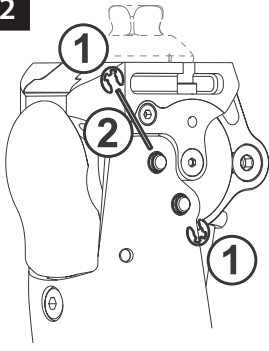
The instructions in this section are for practitioner use only.

1 Remove all preload and record number of clicks

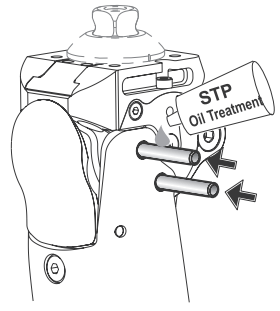


View from below.

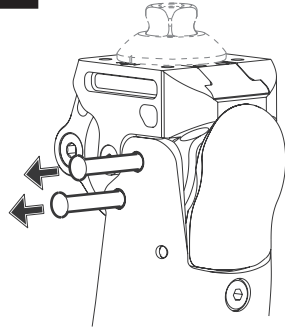
2



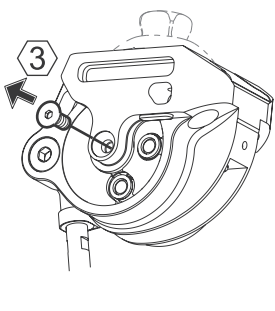
3



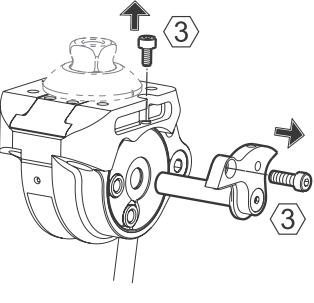
4



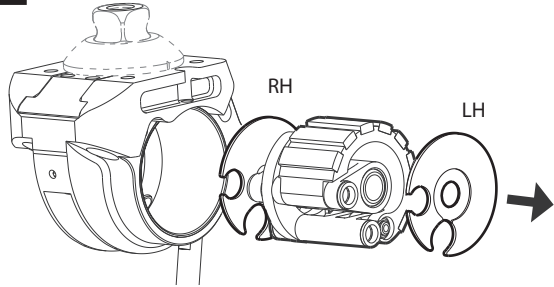
5



6

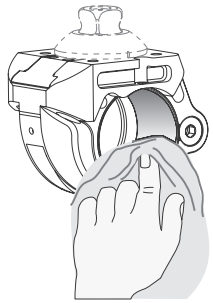


7



Brake band material may be wiped clean with paper, do not use solvents.

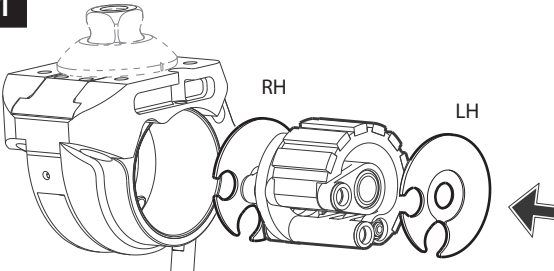
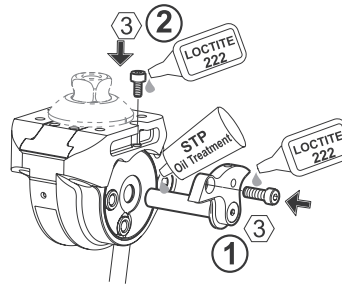
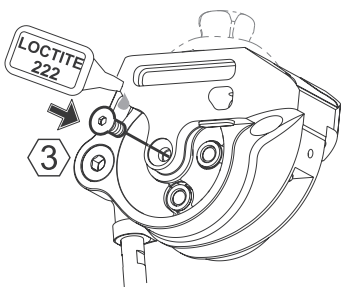
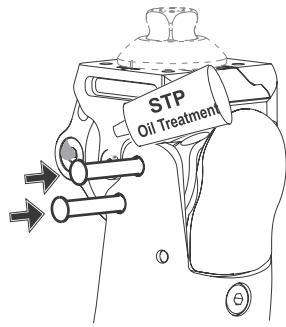
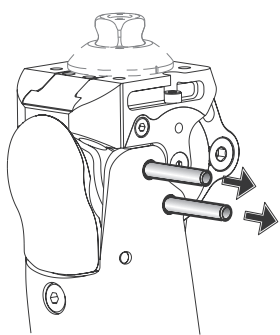
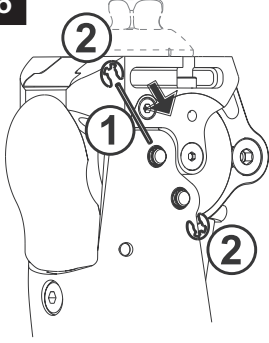
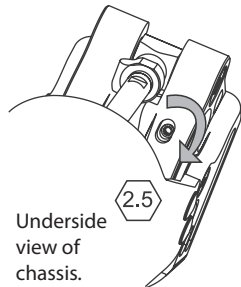
8



Clean bore with suitable solvent

10.4 Replacement of ESK+ Mechanism

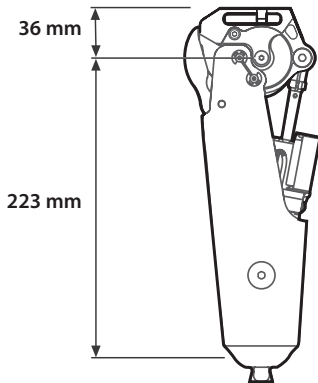
The instructions in this section are for practitioner use only.

| | | |
|---|--|---|
| <p>1</p>  <p>ORIENTATION IS IMPORTANT! Assemble flat sides and lettering (RH, LH) facing inwards.</p> | <p>2</p>  | |
| <p>3</p>  | <p>4</p>  | |
| <p>5</p>  | <p>6</p>  | <p>7 Re-apply preload with recorded number of clicks.</p>  <p>Underside view of chassis.</p> |

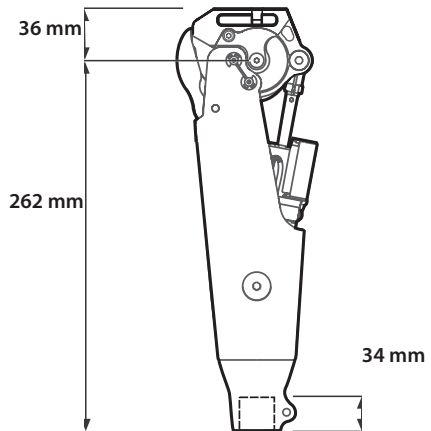
11 Technical Data

| | |
|--|--|
| Operating and Storage Temperature Range: | -15 °C to 50 °C (5 °F to 122 °F) |
| Component Weight: | |
| SmartIP | 1.27 kg (2 lb 9 ozs) |
| PSPC | 1.13 kg (2 lb 8 ozs) |
| Activity Level: | 2-3 (4) |
| Maximum User Weight: | |
| Activity Levels 2-3 | 125 kg (275 lb) |
| Activity Level 4 | 100 kg (220 lb 7.4 ozs) |
| Maximum Flexion Angle: | 140° |
| Proximal Alignment Attachment: | 4-bolt or T slot |
| Distal Alignment Attachment: | 30 mm Tube Clamp or Male Pyramid (Blatchford) |
| Build Height: | See Diagrams Below. |

Fitting Length



**ESK+ 4-Bolt
with Distal Pyramid**



**ESK+ 4-Bolt
with 30 mm Distal Tube Clamp**

12 Ordering Information

Order Example

| | ESK+ with 4-Bolt Adapter | | | | | | | |
|----------------------------|--------------------------|----------------|-------------------------|-------------------------|----------------|----------------|----------|----------------|
| | 30 mm Distal Tube Clamp | | | | Distal Pyramid | | | |
| Pneumatic Cylinder | ESK | 4B | P | 30 | ESK | 4B | P | PYR |
| | ESK+ | 4-Bolt Adapter | PSPC | Distal Tube Clamp 30 mm | ESK+ | 4-Bolt Adapter | PSPC | Distal Pyramid |
| SmartIP Knee | SMARTIP | 4B | 30 | SMARTIP | 4B | PYR | | |
| | SmartIP Knee | 4-Bolt Adapter | Distal Tube Clamp 30 mm | SmartIP Knee | 4-Bolt Adapter | Distal Pyramid | | |
| No Control Cylinder Fitted | ESK | 4B | 30 | ESK | 4B | PYR | | |
| | ESK+ | 4-Bolt Adapter | Distal Tube Clamp 30 mm | ESK+ | 4-Bolt Adapter | Distal Pyramid | | |

Replacement Parts

| Item | Part. No. |
|--------------------------------|-----------|
| 4-Bolt ESK+ Knee Assembly | 239150 |
| ESK Mechanism Alignment Pin | 234914 |
| Front Stop Pad | 234903 |
| ESK+ Stabilizing Mechanism Kit | 239949 |

Liability

The manufacturer recommends using the device only under the specified conditions and for the intended purposes. The device must be maintained according to the instructions for use supplied with the device. The manufacturer is not liable for any adverse outcome caused by any component combinations that were not authorized by them.

CE Conformity

This product meets the requirements of the European Regulation EU 2017/745 for medical devices. This product has been classified as a class I device according to the classification rules outlined in Annex VIII of the regulation. The EU declaration of conformity certificate is available at the following internet address: www.blatchford.co.uk



Medical Device



Single Patient – multiple use

Compatibility

Combination with Blatchford branded products is approved based on testing in accordance with relevant standards and the MDR including structural test, dimensional compatibility and monitored field performance.

Combination with alternative CE marked products must be carried out in view of a documented local risk assessment carried out by a Practitioner.

Warranty

This device is warranted for 24 months, the brake band for 12 months.

The user should be aware that changes or modifications not expressly approved could void the warranty, operating licenses and exemptions.

See Blatchford website for the current full warranty statement.

Reporting of Serious Incidents

In the unlikely event of a serious incident occurring in relation to this device it should be reported to the manufacturer and your national competent authority.

Environmental Aspects

This product contains hydraulic oil, mixed metals and plastics. Where possible the components should be recycled in accordance with local waste handling regulations.

Retaining the Packaging Label

The practitioner is advised to keep the packaging label as a record of the device supplied.

Manufacturer's Registered Address

Blatchford Products Limited, Lister Road, Basingstoke RG22 4AH, UK.

Trademark Acknowledgements

Blatchford is a registered trademark of Blatchford Products Limited.

| | |
|---|----|
| Indhold..... | 19 |
| 1 Beskrivelse og tilsigtet formål..... | 20 |
| 2 Sikkerhedsinformation..... | 22 |
| 3 Konstruktion | 23 |
| 4 Funktion..... | 24 |
| 5 Vedligeholdelse | 24 |
| 6 Begrænsninger i forbindelse med brugen..... | 25 |
| 7 Statisk tilpasning | 26 |
| 8 Råd om tilpasning og stabilitetsjustering | 27 |
| 9 Justering af forreste stopmekanisme - justerbar svingtap..... | 28 |
| 9.1 Yderligere justeringer | 29 |
| 10 Monteringsanvisninger..... | 30 |
| 10.1 Ændring af bufferen for forreste stopmekanisme..... | 30 |
| 10.2 Ændring af stopmekanismer i skinnebenet | 30 |
| 10.3 Udtagning af ESK+ mekanisme | 31 |
| 10.4 Udskiftning af ESK+-mekanisme | 32 |
| 11 Tekniske data | 33 |
| 12 Bestillingsoplysninger | 34 |

1 Beskrivelse og tilsigtet formål

Denne brugsanvisning er beregnet til brug for den praktiserende læge og brugeren, medmindre andet er angivet.

Udtrykket *anordning* anvendes i hele brugsanvisningen og henviser til 4-bolt ESK+ produkter.

Gennemlæs venligst hele brugsanvisningen og sørg for, at du forstår den, især alle anvisninger vedrørende sikkerhedsinformation og vedligeholdelse.

Anvendelse

Denne anordning må udelukkende anvendes som en del af en underbensprotese.

Denne anordning er beregnet til en enkelt bruger.

Denne anordning er en knæprotese, som danner en enkeltakset ramme til en vægtaktiveret, stabiliseret knæprotese, som giver støtte til protesen under forskellige ganghastigheder på varieret terræn, og den er beregnet til at forbedre sikkerheden og reducere kompensering.

Skinnebenet kan udstyres med PSPC (pneumatisk svingfasekontrol), en SmartIP (Smart Intelligent-protese) eller fås uden en cylinder.

Til anordningen kan vælges forbindelser med 4 bolte eller T-huller proksimalt, og der kan vælges forbindelser med en han-pyramide eller en rørklemme på 30 mm distalt.

Funktioner

| | Manuel justering af PSPC | Microprocessor-kontrolleret SmartIP |
|---|--------------------------|-------------------------------------|
| Fleksion i standfasen under vægtbelastning | ✓ | ✓ |
| Hård kulfiberramme | ✓ | ✓ |
| Fleksion af knæet på 140 grader | ✓ | ✓ |
| Justerbar følsomhed for stabilitet af knæet | ✓ | ✓ |
| Uafhængige, manuelt justerbare svingkontroller til fleksion og ekstension | ✓ | |
| Microprocessor-kontrolleret svingkontrol til fleksion med manuelt justerbar dæmpning under afslutning af ekstension | | ✓ |

Aktivitetsniveau

Denne anordning er egnet til brugere med aktivitetsniveau 2, 3 og 4 (vægtbegrænsninger gælder, se *Tekniske data*).

Denne anordning er muligvis ikke egnet til personer med aktivitetsniveau 1, eller brugere som dyrker konkurrencesport. Denne type brugere vil være bedre tjent med en specialfremstillet protese, som er optimeret til vedkommendes behov.

Aktivitetsniveau 1

Har evnen eller potentialet til at bruge en protese til overførsler eller gang på plane overflader med en jævn gangrytme. Typisk for en person, der bruger protesen til begrænset og ubegrænset gang indendørs.

Aktivitetsniveau 2

Har evnen eller potentialet til gang og kan krydse lave forhindringer i omgivelserne såsom kantsten, trappetrin eller ujævne overflader. Typisk for en person, der bruger protesen til begrænset og ubegrænset gang udendørs.

Aktivitetsniveau 3

Har evnen eller potentialet til gang med en skiftende gangrytme. Typisk for en person, der kan gå udendørs, kan krydse de fleste forhindringer i omgivelserne, og kan have erhvervmæssig-, terapeutisk eller træningsaktivitet, der kræver brug af protesen til andet end simpel bevægelse.

Aktivitetsniveau 4

Har evnen eller potentialet til at gå med en benprotese, der overgår almindelige gangfærdigheder og kan klare høje niveauer af nedslag, stres og energi. Typisk for barnets, den aktive voksnes eller atletens krav til en benprotese.

Kliniske fordele

- Vægtaktiveret kontrol i standfasen og justerbar svingkontrol tilvejebringer jævn, sikker gang med et frit knæ.
- Microprocessor-svingkontroller gør optimeret gang mulig ved forskellige ganghastigheder. (Kun SmartIP).
- Den stabiliserende mekanisme har en elastisk virkning, som giver begrænset fleksion i standfasen under belastning og absorberer stødbelastninger under hælissettet.

Kontraindikationer

Denne anordning er ikke egnet til:

- Brugere med ekstrem muskelsvaghed, kontrakturer som ikke kan tilpasses korrekt eller proprioceptiv dysfunktion, herunder dårlig balance.
- Brugere med kontralateral ledinstabilitet eller patologi.
- Brugere med komplicerede sygdomme, der involverer flere handicap.
- Brugere, herunder dem der er transfemoralt amputerede på begge sider og kræver en støttfunktion i knæet for at gå ned ad trapper eller sidde ned. Dette kan medføre skader på bremsemekanismen, hvilket kan have en negativ effekt på stabilitet og slidstyrke.



Brugere skal modtage gangtræning, før de bruger denne anordning.



Sørg for, at brugeren har forstået hele brugsanvisningen, og gør især opmærksom på alle afsnit om vedligeholdelse og sikkerhed.

2 Sikkerhedsinformation



Dette advarselssymbol fremhæver vigtig sikkerhedsinformation.



Vær til enhver tid opmærksom på risikoen for at få fingrene i klemme.



Enhver ændring i protesens ydeevne eller funktion, f.eks. ustabilitet, dobbeltvirkning, begrænset bevægelse, ujævn bevægelse eller mislyde skal omgående rapporteres til serviceudbyderen.



Brug altid et gelænder, når du går ned ad trapper og på alle andre tidspunkter, når der forefindes gelænder.



Alle større ændringer i hælhøjden, efter at tilpasningen er udført, kan have en negativ effekt på protesens funktion.



Sørg for, at der kun anvendes hensigtsmæssigt eftermonterede køretøjer under kørsel i bil. Alle personer er forpligtet til at overholde deres respektive kørebestemmelser, når de betjener motorkøretøjer.



Der skal udvises forsigtighed, når der bæres tunge ting, eftersom dette kan have en negativ effekt på anordningens stabilitet.



Brugeren bør rådes til at kontakte sin praktiserende læge, hvis hans eller hendes tilstand ændres.



Undgå eksponering for ekstrem varme og/eller kulde.



Montering, vedligeholdelse og reparation af anordningen må kun udføres af en læge med relevant uddannelse.

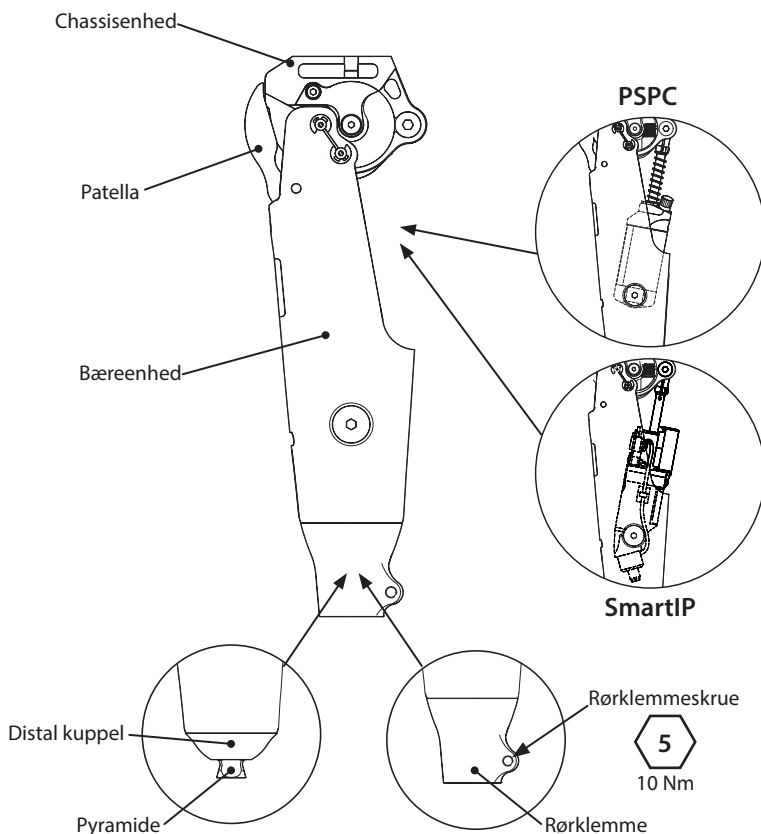


Anordningen er ikke beregnet til anvendelse i vand, eller når der tages brusebad. Hvis protesen kommer i kontakt med vand, skal den omgående tørres.

3 Konstruktion

Vigtige dele

- Bæreenhed kulstoffiberkomposit og rustfrit stål
- Chassisenhed aluminiumlegering, rustfrit stål, teknisk termoplastisk materiale, fiberforstærket (fri for asbest) friktionsmateriale.
- Distal kuppel aluminiumlegering
- Distal pyramide titanium med bolte af rustfrit stål
- Distal rørklemme aluminiumlegering
- Patella teknisk termoplastisk materiale
- PSPC aluminiumlegering, rustfrit stål, titanium, teknisk termoplastisk materiale
- SmartIP aluminiumlegering, rustfrit stål, titanium, teknisk termoplastisk materiale
Elektroniske komponenter, batterier



4 Funktion

Knæprotesen har et uniaksialt design bestående af et drejende knæled, der forbinder et chassis med en bæreenhed. En vægtaktiveret stabiliserende knæmekanisme indeni chassiset. Den stabiliserende mekanisme har en elastisk virkning, som giver begrænset fleksion i standfasen under belastning og absorberer stødbelastninger under hælisset.

En cylinder til knækontrol befinder sig indeni denne rammeenhed, der er monteret mellem chassisets posteriore drejeled og bæreenhedens distale drejeled.

PSPC-cylinderen har ventiler, som kan justeres manuelt, hvilket giver uafhængig kontrol af fleksions- og ekstensionsmodstand under svingfasen.

SmartIP-kontrolcylinderen er udstyret med sensorer indeni cylinderen til monitorering af ganghastigheden og justerer automatisk fleksionsmodstanden derefter. Ekstensionskontrol foregår via fast justering af en afslutningsvis dæmpningsmekanisme.

5 Vedligeholdelse

Efterse anordningen med jævne mellemrum.

Rapportér eventuelle ændringer i denne anordnings ydeevne til den praktiserende læge/serviceudbyderen, f.eks. mislyde, øget stivhed eller begrænset/overdreven rotation, betydelig slitage eller kraftig misfarvning på grund af langvarig eksponering for UV.

Informér den praktiserende læge/serviceudbyderen, hvis der er ændringer kropsvægt og/eller aktivitetsniveau.

Rengøring

Brug en fugtig klud og mild sæbe til at rengøre de udvendige overflader. Brug IKKE aggressive rengøringsmidler.

De resterende anvisninger i dette afsnit er kun beregnet for den praktiserende læge.

Denne vedligeholdelse må kun udføres af kompetent personale (praktiserende læge eller uddannet tekniker).

For at opretholde optimal ydelse anbefales en periodisk inspektion for tilstedeværelse af mislyde, slør og ustabilitet. Perioden mellem inspektioner bestemmes af faktorer såsom brugerens aktivitet, brugsfrekvens og knæprotesens indstilling for stabilitet.

Som en vejledning anbefales en årlig inspektion, hvis indstillingen er 6 klik eller derover og brugeren går 600.000 skridt om året i gennemsnit.

Hvis indstillingen for stabilitet er mindre end 6 klik, og/eller brugeren går færre skridt end et gennemsnitligt

antal skridt, kan perioden mellem inspektioner være længere.

Det anbefales at bruge en skridttæller til at bestemme antallet af skridt.

Vi anbefaler at justere knæprotesen efter bærerens stabilitetskrav for at sikre optimal stabilitet og holdbarhed. Se vejledningen til justering/flowdiagrammet.

Under disse inspektioner:

- Kontrollér, at der ikke er synlige defekter, som kan påvirke korrekt funktion.
- Kontrollér den forreste stopmekanisme, og udskift om nødvendigt.
- Kontrollér skinnebenets stopmekanismer, og udskift om nødvendigt.
- Afmontér, rengør og montér igen.

Informér brugeren om, at regelmæssig visuel kontrol af anordningen anbefales, og at enhver ændring i anordningens ydeevne skal rapporteres til den praktiserende læge. Ændringer i ydeevnen kan omfatte: forøgelse eller forringelse af knæprotesens stivhed, ustabilitet, nedsat støtte i knæprotesen (fri bevægelse), eventuelle mislyde.

Opbevaring og håndtering

Ved opbevaring i længere tid skal anordningen holdes tør og inden for et temperaturinterval på -15 °C til 50 °C.

Anvend den medfølgende produktemballage.

6 Begrænsninger i forbindelse med brugen

Forventet levetid:

En lokal risikovurdering baseret på aktivitet og brugslængde skal udføres.

Belastning ved løft af byrder

Brugerens vægt og aktivitet er underlagt de angivne grænser.

Byrder, der må bæres af brugeren, skal baseres på en lokal risikovurdering.

Miljø:

Undgå at udsætte anordningen for korroderende elementer som f.eks. vand, syrer eller væsker. Undgå også slibende miljøer som f.eks. dem, der indeholder sand, eftersom disse kan fremme førtidigt slid.

Må kun anvendes ved temperaturer fra -15 °C og 50 °C.



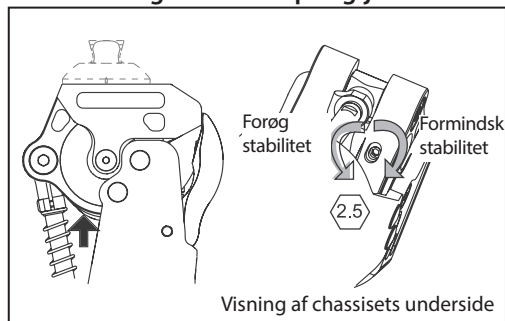
Egnet til udendørs brug

7 Statisk tilpasning

Anvisningerne i dette afsnit er kun beregnet til brug for den praktiserende læge.

Gangtest

Justeringsenhed til springfjeder



Stræk benet helt ud for at få adgang med justeringsenheden.

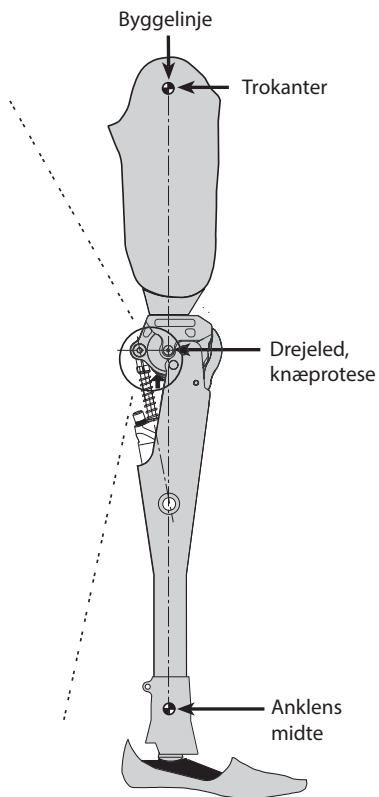
Drej SPRINGFJEDERENS JUSTERINGSENHED for at sikre, at den amputerede person kan opnå den krævede stabilitet.

Bemærk... Der skal lyde hørbare klik under justeringen, og justeringsenheden låser sig selv.

Spænd SPRINGFJEDEREN for at reducere stabiliteten.

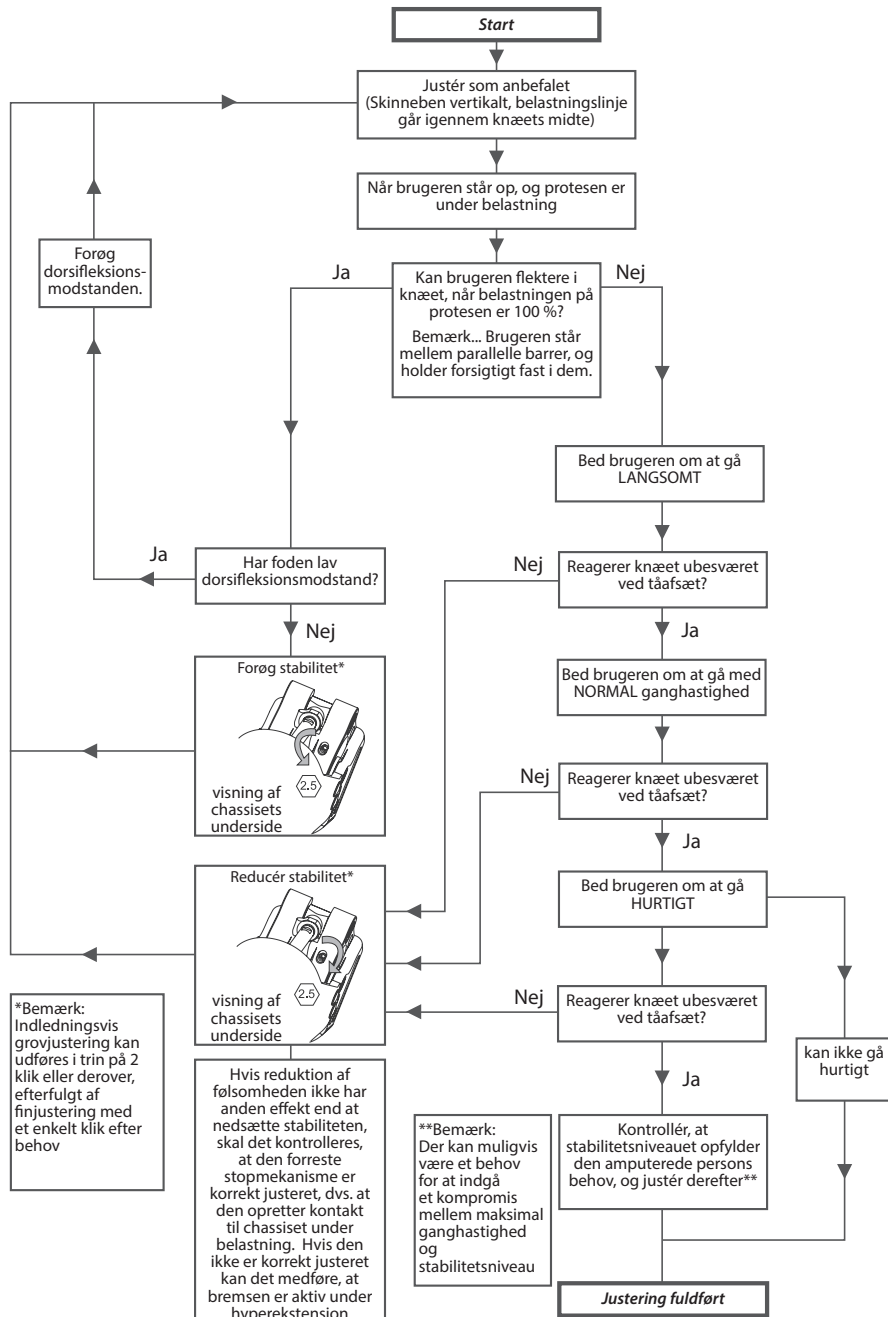
Løsn SPRINGFJEDEREN for at øge stabiliteten - se ovenfor.

Justeringsenheden kan stilles tilbage til fabriksindstillingen, hvis det er nødvendigt. Dette kan opnås ved at reducere stabiliteten med seks hørbare klik i forhold til den maksimale indstilling for stabilitet.



8 Råd om tilpasning og stabilitetsjustering

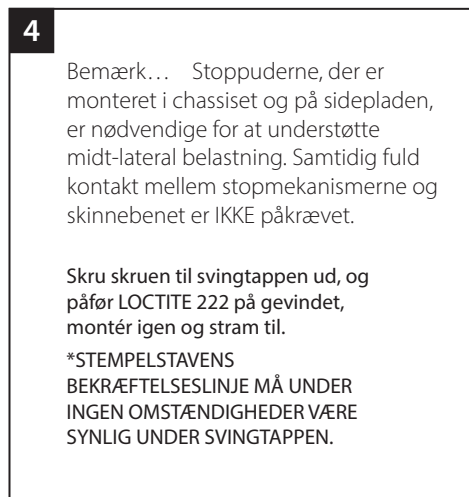
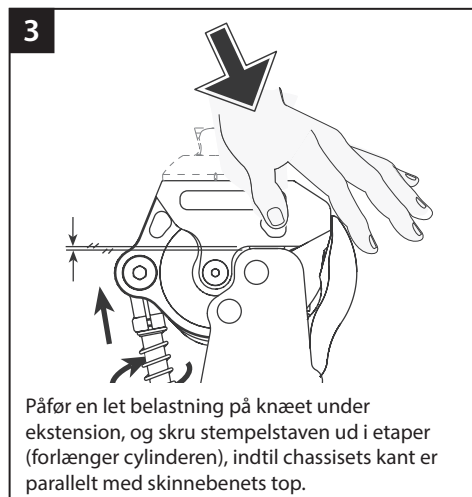
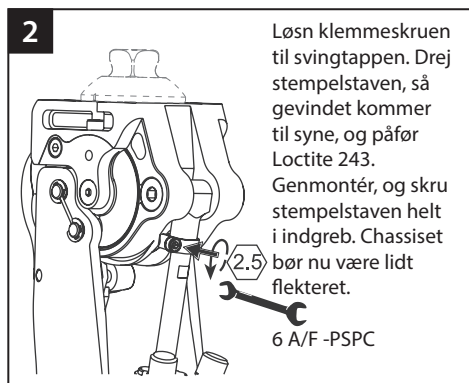
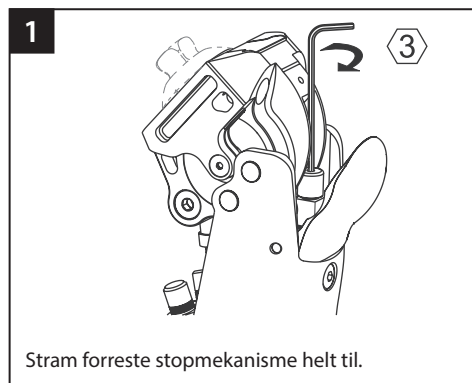
Anvisningerne i dette afsnit er kun beregnet til brug for den praktiserende læge.



9 Justering af forreste stopmekanisme - justerbar svingtap

Anvisningerne i dette afsnit er kun beregnet til brug for den praktiserende læge.

Tilpasset til PSPC



Justering af forreste stopmekanisme - ikke-justerbar intelligent protese

(Som monteret på ældre SmartIP-modeller).

Justering er ikke nødvendig, når disse cylindre anvendes. De kræver, at den forreste stopmekanisme er helt strammet til, som vist i stadie 1.

Se den relevante brugsanvisning for oplysninger om justering af anordninger med svingkontrol.

9.1 Yderligere justeringer

Anvisningerne i dette afsnit er kun beregnet til brug for den praktiserende læge.

| Symptom | Løsning |
|---|---|
| Knæet stabiliserer sig ikke | Forøg følsomheden |
| | Forskyd hylstret anteriort |
| | Udskift stabiliseringsmekanismen, hvis bremsens bagerste kant er beskadiget |
| Knæet frigøres ikke | Formindsk følsomheden |
| | Kontrollér, at stempelstavens længde er korrekt justeret |
| | Forskyd hylstret posteriort |
| Hælløft for højt under sving | Se brugsanvisningen til kontrolcylinderen |
| Hælløft for lavt under sving | Se brugsanvisningen til kontrolcylinderen |
| Brugeren oplever belastning under afvikling | Se brugsanvisningen til kontrolcylinderen |
| Anordningen er ikke helt udstrakt under sving | Se brugsanvisningen til kontrolcylinderen |

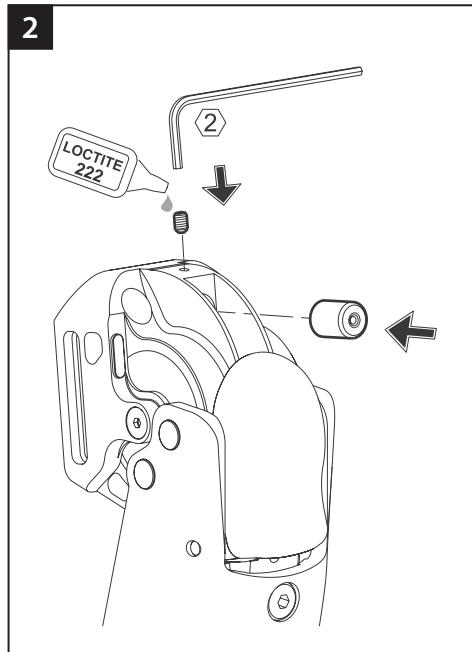
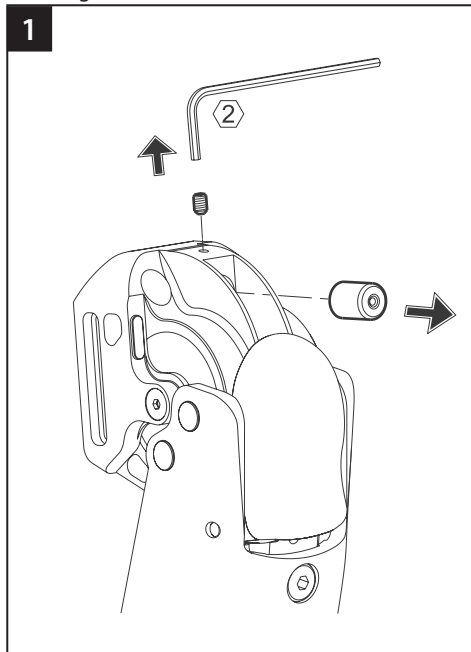
Hvis du bliver ved med at have problemer med funktionen, efter du har fulgt anvisningerne, bedes du kontakte salgsteamet i dit område for at få rådgivning.

10 Monteringsanvisninger

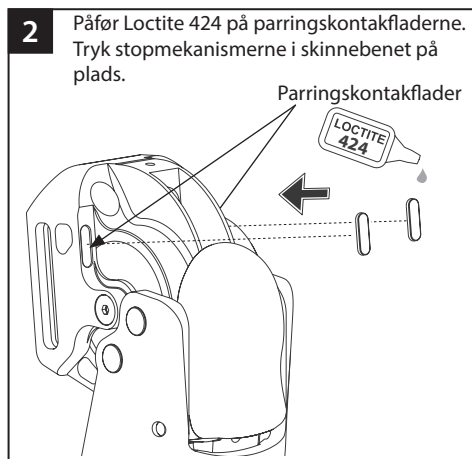
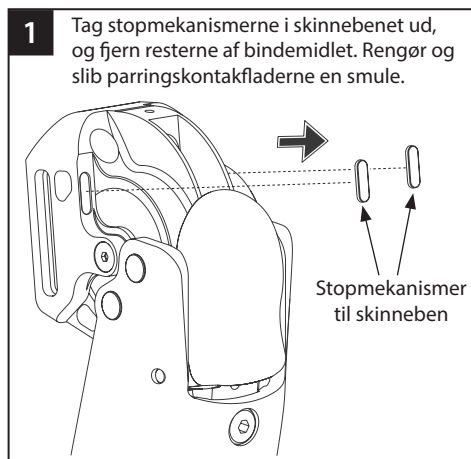
Anvisningerne i dette afsnit er kun beregnet til brug for den praktiserende læge.

10.1 Ændring af bufferen for forreste stopmekanisme

Når en ny forreste stopmekanisme monteres, skal den altid justeres igen, og hvis det er relevant, skal cylinderens længde kontrolleres, hvis den er monteret med en justerbar svingtap. Justér om nødvendigt. (Se forrige side).

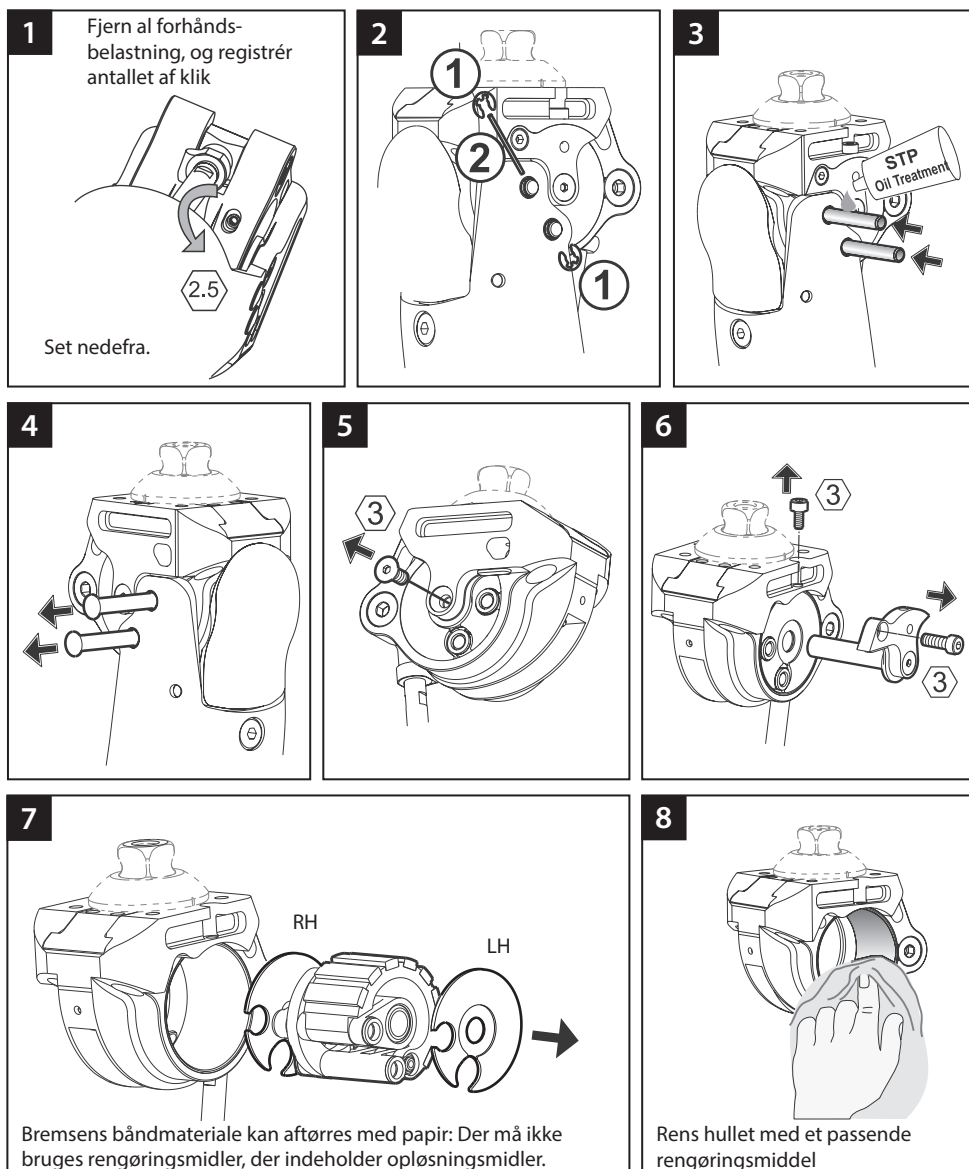


10.2 Ændring af stopmekanismer i skinnebenet



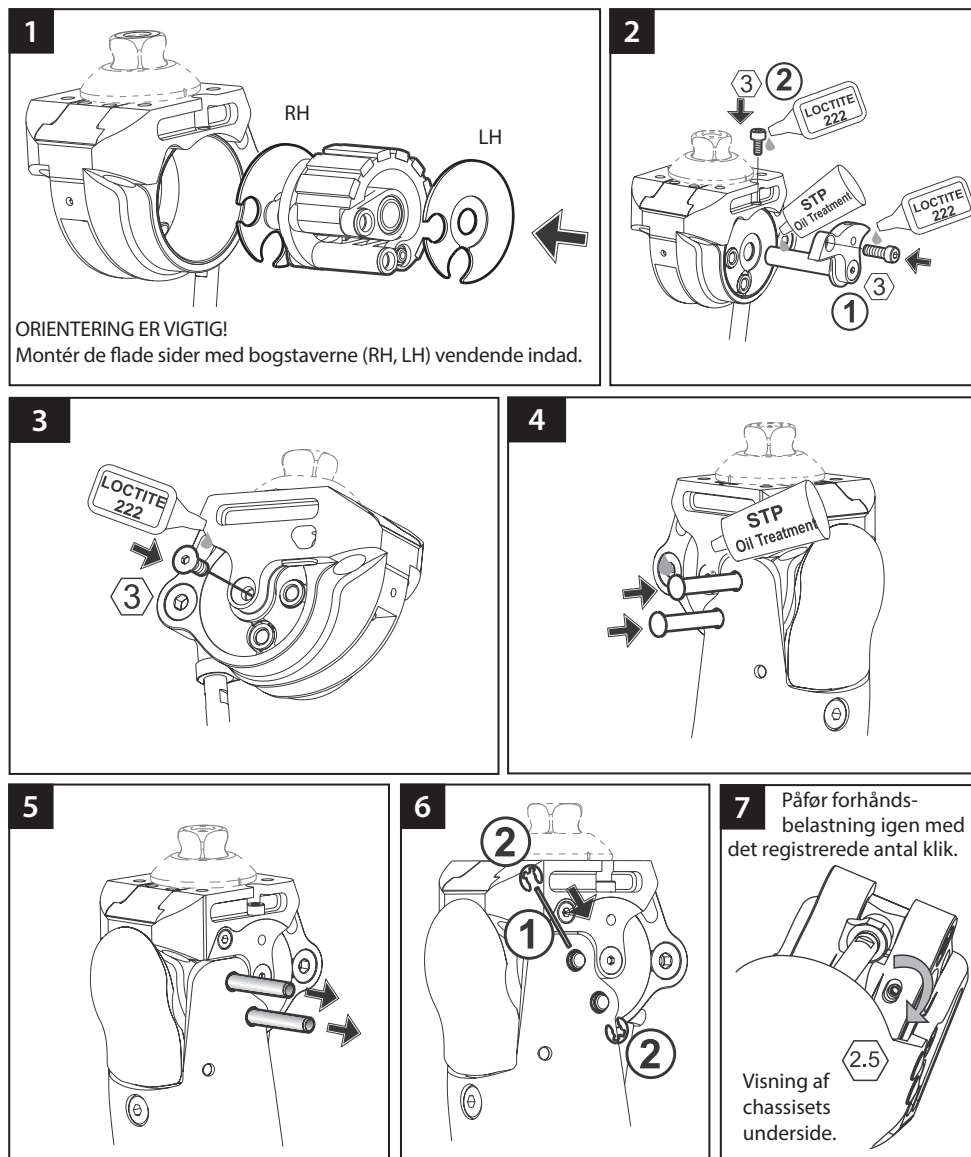
10.3 Udtagning af ESK+-mekanisme

Anvisningerne i dette afsnit er kun beregnet til brug for den praktiserende læge.



10.4 Udskiftning af ESK+-mekanisme

Anvisningerne i dette afsnit er kun beregnet til brug for den praktiserende læge.



11 Tekniske data

Temperaturområde for betjening og opbevaring: -15 °C til 50 °C

Komponentens vægt:

SmartIP 1,27 kg

PSPC 1,13 kg

Aktivitetsniveau: 2-3 (4)

Brugerens maksimale vægt:

Aktivitetsniveau 2-3 125 kg

Aktivitetsniveau 4 100 kg

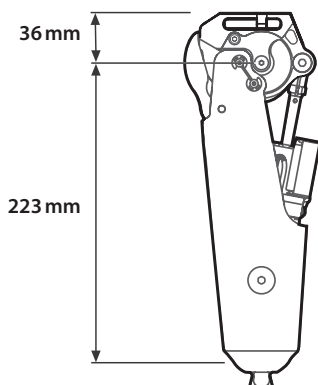
Maksimum fleksionsvinkel: 140°

Proksimal justeringsdel: 4-bolt eller T-hul

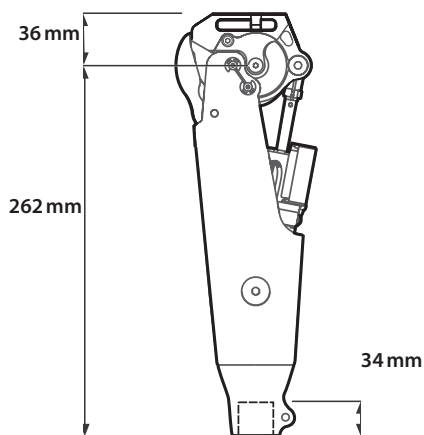
Distal justeringsdel: 30 mm rørklemme
eller han-pyramide
(Blatchford)

Byggehøjde: Se nedenstående
diagrammer.

Tilpasset længde



**ESK+ 4-bolt
med distal pyramide**



**ESK+ 4-bolt
med 30 mm distal rørklemme**

12 Bestillingsoplysninger

Bestillingseksempel

| | ESK+ 4-bolt-adapter | | | | | | | |
|--------------------------------|------------------------|----------------|------------------------|------------------------|--------------------|----------------|-----------------|-----------------|
| | 30 mm distal rørklemme | | | | Distal pyramide | | | |
| Pneumatisk cylinder | ESK | 4B | P | 30 | ESK | 4B | P | PYR |
| | ESK+ | 4-bolt-adapter | PSPC | Distal rørklemme 30 mm | ESK+ | 4-bolt-adapter | PSPC | Distal pyramide |
| SmartIP knæprotese | SMARTIP | 4B | 30 | | SMARTIP | 4B | PYR | |
| | SmartIP knæprotese | 4-bolt-adapter | Distal rørklemme 30 mm | | SmartIP knæprotese | 4-bolt-adapter | Distal pyramide | |
| Uden monteret kontrol-cylinder | ESK | 4B | 30 | | ESK | 4B | PYR | |
| | ESK+ | 4-bolt-adapter | Distal rørklemme 30 mm | | ESK+ | 4-bolt-adapter | Distal pyramide | |

Reserve dele

| Vare | Delnr . |
|---------------------------------------|---------|
| 4-Bolt ESK+ knæenhed | 239150 |
| Justeringsstift til ESK-mekanisme | 234914 |
| Pude til forreste stopmekanisme | 234903 |
| ESK+ sæt til stabiliserende mekanisme | 239949 |

Ansvar

Producenten anbefaler, at anordningen udelukkende bruges under de specificerede forhold og til de tilsigtede formål. Anordningen skal vedligeholdes i henhold til brugsanvisningen, der følger med anordningen. Producenten er ikke ansvarlig for nogle negative resultater, der skyldes komponentkombinationer, der ikke er godkendt af producenten.

CE-overensstemmelse

Dette produkt opfylder kravene i den Europæiske forordning EU 2017/745 for medicinsk udstyr. Dette produkt er klassificeret som klasse I-udstyr i henhold til klassificeringskriterierne, der er beskrevet i bilag VIII til forordningen. Certifikatet for EU-overensstemmelseserklæringen er tilgængeligt på følgende internetadresse: www.blatchford.co.uk



Medicinsk udstyr



Enkelt patient – flergangsbrug

Kompatibilitet

Kombination med Blatchford-mærkevarer er godkendt baseret på testning i overensstemmelse med relevante standarder og direktivet om medicinsk udstyr, herunder strukturel test, dimensionskompatibilitet og monitoreret feltpræstation.

Kombination med alternative CE-mærkede produkter skal udføres på grundlag af en dokumenteret lokal risikovurdering udført af en praktiserende læge.

Garanti

Der ydes 24 måneders garanti på anordningen og 12 måneder på bremsebåndet.

Brugeren skal være opmærksom på, at ændringer eller modifikationer, der ikke udtrykkeligt er godkendt, kan annullere garantien, driftslicenser og undtagelser.

Besøg Blatchford-webstedet for at se den aktuelle fulde garantierklæring.

Rapportering af alvorlige hændelser

I det usandsynlige tilfælde, at der opstår en alvorlig hændelse i forbindelse med denne anordning, skal den rapporteres til producenten og den nationale tilsynsmyndighed.

Miljømæssige aspekter

Dette produkt indeholder hydraulisk olie, blandet metal og plastik. Hvor det er muligt, skal komponenterne genbruges i overensstemmelse med lokale regler for affaldshåndtering.

Opbevaring af emballagens etiket

Den praktiserende læge rådes til at opbevare emballagens etiket som en fortegnelse over den leverede anordning.

Producentens registrerede adresse

Blatchford Products Limited, Lister Road, Basingstoke RG22 4AH, Storbritannien.

Anerkendelse af varemærket

Blatchford er et registreret varemærke tilhørende Blatchford Products Limited.

| | |
|---|----|
| Innhold..... | 36 |
| 1 Beskrivelse og tiltenkt formål | 37 |
| 2 Sikkerhetsinformasjon..... | 39 |
| 3 Konstruksjon | 40 |
| 4 Funksjon | 41 |
| 5 Vedlikehold..... | 41 |
| 6 Begrensninger i bruken | 42 |
| 7 Statisk oppretting | 43 |
| 8 Justeringsråd og stabilitetsjustering..... | 44 |
| 9 Frontstoppjustering – justerbar løftetapp | 45 |
| 9.1 Videre justeringer..... | 46 |
| 10 Monteringsinstruksjoner | 47 |
| 10.1 Skifte frontstoppbufferen | 47 |
| 10.2 Skifte skinnebeinstopper | 47 |
| 10.3 Fjerne «ESK+»-mekanismen | 48 |
| 10.4 Utskiftning av «ESK+»-mekanismen..... | 49 |
| 11 Tekniske data | 50 |
| 12 Bestillingsinformasjon..... | 51 |

1 Beskrivelse og tiltenkt formål

Disse bruksanvisningene er for legen og brukeren, med mindre annet er oppgitt. Begrepet enhet brukes i denne bruksanvisningen for å referere til 4-bolts «ESK+»-produkter. Les og sørg for at du forstår alle instruksjoner for bruk, særlig all sikkerhetsinformasjon og vedlikeholdsinstruksjoner.

Bruksområde

Denne enheten skal utelukkende brukes som en del av en protese for nedre ekstremiteter. Enheten er for én bruker.

Denne enheten er en kneenhet som har en enakset ramme for et vektaktivert, stabilisert kne som gir støtte for protesen ved forskjellige skrittlengder i en rekke terrenger, og er ment å forbedre sikkerheten og redusere kompensasjonen.

Skinnebeinet kan utstyres med PSpC (pneumatisk svingfasekontroll) eller SmartIP (smart intelligent protese), eller leveres uten en sylinder.

Man kan velge mellom 4-bolts eller T-sportilkoblinger proksimalt, og hannpyramide- eller 30 mm-rørklemmetilkoblinger distalt på enheten.

Funksjoner

| | Manuelt justert PSpC | Mikroprosessorstyrt SmartIP |
|---|----------------------|-----------------------------|
| Standfleksjon under vektbæring | ✓ | ✓ |
| Kraftig karbonfiberramme | ✓ | ✓ |
| 140-graders knefleksjon | ✓ | ✓ |
| Justerbar følsomhet for knestabilitet | ✓ | ✓ |
| Uavhengig manuelt justerbare svingkontroller for bøyning og utstrekking | ✓ | |
| Mikroprosessorstyrt svingkontroll under bøyning med manuelt justerbar endestøtdemping under utstrekking | | ✓ |

Aktivitetsnivå

Denne enheten er for brukere med aktivitetsnivå 2, 3 og 4 (vektgrenser gjelder, se *Tekniske data*).

Denne enheten er kanskje ikke egnet for personer på aktivitetsnivå 1 eller brukere som deltar i konkurranseidrett. Disse brukerne kan ha bedre nytte av en spesialdesignet protese som er optimalisert for deres behov.

Aktivitetsnivå 1

Har evnen eller potensialet til å bruke protese for å reise seg eller sette seg ned, eller forflytte seg på jevne overflater med fast skritthastighet. Typisk for den begrensede og ubegrensede ambulatoren.

Aktivitetsnivå 2

Har evnen eller potensialet for å kunne bevege seg med evnen til å ta seg over lave barrierer slik som fortauskanter, trapper eller ujevne overflater. Typisk for den begrensede jevne ambulerende person.

Aktivitetsnivå 3

Har evnen eller potensialet for å kunne bevege seg med variabel tråkkfrekvens. Typisk for en person som har evnen til å krysse de fleste barrierer og som kan ha yrkesaktiv eller terapeutisk aktivitet, eller treningsaktivitet som krever bruk av protese utover enkel bevegelse.

Aktivitetsnivå 4

Har evnen eller potensialet for protetisk ambulering som overgår grunnleggende ambuleringsferdigheter, og viser høyt nivå av motstandsdyktighet, spenning og energi. Typisk for protesebrukere hos et barn, en aktiv voksen eller konkurranseutøvere.

Kliniske fordeler

- Vektaktivert standkontroll og justerbar svingkontroll gir jevn, trygg gange med et fritt kne.
- Mikroprosessorstyrt svingkontroll tillater optimaliserte egenskaper for gangarter på tvers av en rekke gåhastigheter (kun SmartIP).
- Den stabiliserende mekanismen har en motstandsdyktig virkning som gir begrenset bøyning i standfasen under belastning for å absorbere støtbelastninger ved hælkontakt.

Kontraindikasjoner

Enheten er ikke egnet for:

- Brukere med ekstrem muskelsvakhet, kontrakturer som ikke kan tilpasses riktig, eller somatosensorisk dysfunksjon inkludert dårlig balanse.
- Brukere med kontralaterale leddustabiliteter eller patologi.
- Brukere med kompliserte tilstander som involverer multifunksjonshemning.
- Brukere, inkludert bilaterale transfemorale amputerte, som trenger en ettergivende funksjon fra kneet for å gå ned trapper eller sitte. Dette kan resultere i skade på bremsemekanismen, som kan negativt påvirke stabilitet og slitestyrke.



Brukere må få opplæring i de ulike gangartene før enheten brukes.



Forsikre deg om at brukeren har forstått alle bruksanvisningene, og spesielt avsnittene om vedlikehold og sikkerhetsinformasjon.

2 Sikkerhetsinformasjon



Dette advarselssymbolet fremhever viktig sikkerhetsinformasjon.



Vær alltid oppmerksom på fingerfellefare.



Eventuelle endringer i ytelsen eller funksjonen til protesen, f.eks. ustabilitet, dobbelbevegelse, begrenset bevegelse, ujevn bevegelse eller uvanlige lyder skal umiddelbart rapporteres til tjenesteleverandøren.



Bruk alltid et rekkverk når du går ned trapper og når som helst ellers hvis det er tilgjengelig.



Alle overdrevne endringer i hælhøyden etter justeringen er fullført kan negativt påvirke protesens funksjon.



Forsikre deg om at bare kjøretøyer med passende ettermontering brukes når du kjører. Alle personer må overholde gjeldende vegtrafikklover når de bruker motorvogner.



Man må være forsiktig ved tunge løft, fordi dette kan negativt påvirke enhetens stabilitet.



Brukeren bør informeres om å kontakte legen sin hvis tilstanden endrer seg.



Unngå eksponering mot ekstrem varme og/eller kulde.



Montering, vedlikehold og reparasjon av enheten må bare utføres av en kvalifisert kliniker.

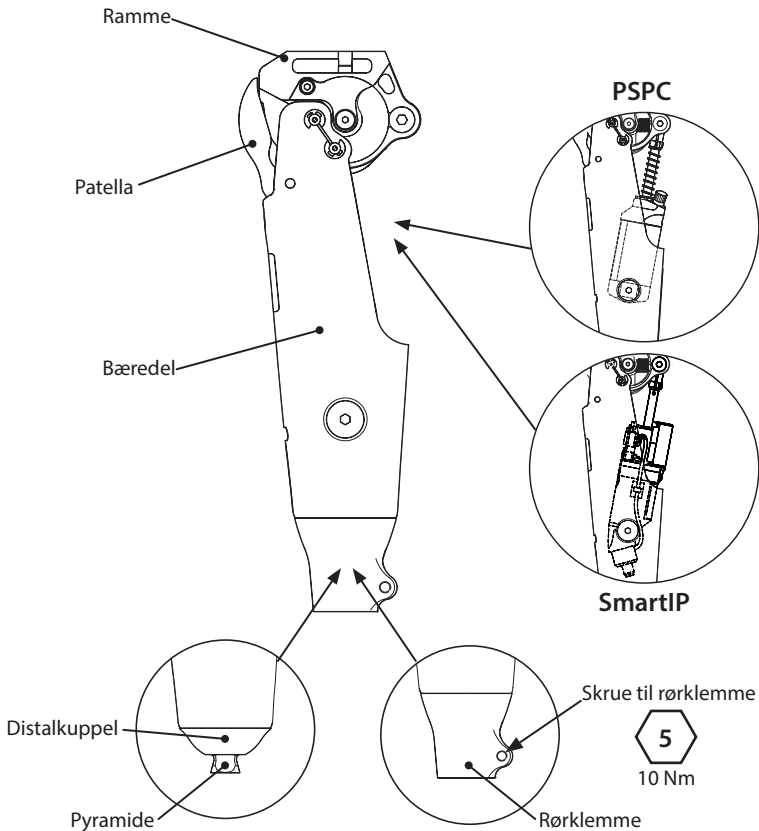


Enheten er ikke egnet til bruk i vann eller som en dusjprotese. Hvis protesen kommer i kontakt med vann, må den tørkes av umiddelbart.

3 Konstruksjon

Viktigste deler

- Bæredel Karbonfiberkompositt og rustfritt stål
- Ramme Aluminiumslegering, rustfritt stål, teknisk termoplast, fiberforsterket (asbestfritt) friksjonsmateriale.
- Distal kuppel Aluminiumslegering
- Distal pyramide Titan med bolt i rustfritt stål
- Klemme til distalrør Aluminiumslegering
- Patella Teknisk termoplast
- PSPC Aluminiumslegering, rustfritt stål, titan, teknisk termoplast
- SmartIP Aluminiumslegering, rustfritt stål, titan, teknisk termoplast
Elektroniske komponenter, batterier



4 Funksjon

Kneet har et enakset design som består av en omdreiningspunkt på kneet som kobler en ramme til en bæredel. En vektaktivert stabiliserende knemekanisme befinner seg inni rammen. Den stabiliserende mekanismen har en motstandsdyktig virkning som gir begrenset bøying i standfasen under belastning for å absorbere støtbelastninger ved hælkontakt.

En pneumatisk kontrollsyylinder er plassert innenfor bæredelen, montert mellom rammens bakre omdreiningspunkt og bæredelens distale omdreiningspunkt.

PSPC-sylindren har manuelt justerbare ventiler som gir uavhengig kontroll over bøying- og utstrekkingsmotstand under svingfasen.

SmartIP-kontrollsyindren bruker sensorer inni sylindren for å overvåke gåhastighet, og justerer tilsvarende fleksjonsmotstand automatisk. Utstrekkingskontroll er via fast justering av støtdemper i slutt punktet.

5 Vedlikehold

Sjekk enheten visuelt jevnlig.

Rapporter endringer i enhetens ytelse til legen/leverandøren, f.eks. uvanlige lyder, økt stivhet eller begrenset/overdreven rotasjon, betydelig slitasje eller overdreven misfarging ved langvarig eksponering for UV.

Informér legen/leverandøren om endringer i kroppsvekt og/eller aktivitetsnivå.

Rengjøring

Bruk en fuktig klut og mild såpe for å rengjøre overflatene. IKKE BRUK aggressive rengjøringsmidler.

Resten av instruksjonene i avsnittet er kun ment for legen.

Vedlikehold må utføres av kompetent personell (lege eller utdannet tekniker).

For å opprettholde optimal ytelse anbefales en periodisk inspeksjon for å oppdage uakseptabel støy, slark og stabilitet. Perioden mellom inspeksjonene fastsettes på bakgrunn av faktorer som f.eks. brukerens aktivitet, bruksfrekvens og stabilitetsinnstillingene til kneet.

Hvis f.eks. innstillingen er 6 klikk eller høyere og brukeren går 600 000 steg i året i gjennomsnitt, anbefales en årlig inspeksjon.

Hvis stabilitetsinnstillingen er mindre enn 6 klikk og/eller brukeren går færre steg enn gjennomsnittlig

antall steg, kan perioden mellom inspeksjonene forlenges.

Bruk av en aktivitetsmonitor for protesen anbefales for å fastslå antall steg.

Vi anbefaler å justere kneet til den enkelte personens stabilitetsbehov for å sikre optimal stabilitet og holdbarhet. Se justeringsveiledning/flytdiagram.

På disse inspeksjonene:

- Se etter visuelle feil som kan påvirke riktig funksjon.
- Sjekk frontstopp og skift ut ved behov.
- Sjekk skinnebeinstopper og skift ut ved behov.
- Demonter, rengjør og monter på nytt.

Informer brukeren om at en regelmessig visuell sjekk av enheten anbefales, og eventuelle endringer i ytelsen til denne enheten skal rapporteres til leverandøren. Ytelsesendringer kan inkludere: økning eller reduksjon i knestivhet, ustabilitet, redusert knestøtte (fri bevegelse), eventuell uvanlig lyd.

Oppbevaring og håndtering

Ved lagring over lengre tid må enheten holdes tørr og innen et temperaturområde på -15 °C til 50 °C.

Bruk produktemballasjen som følger med.

6 Begrensninger i bruken

Tiltenkt levetid:

En lokal risikovurdering bør utføres basert på aktivitet og bruk.

Løftebelastninger

Brukervekt og aktivitet styres av de angitte grensene.

Brukeren skal være basert på en lokal risikovurdering.

Omgivelser:

Unngå å utsette enheten for etsende elementer som vann, syrer og andre væsker. Unngå også slipende miljøer som for eksempel inneholder sand, fordi dette kan føre til for tidlig slitasje.

Eksklusivt for bruk mellom -15 °C og 50 °C.

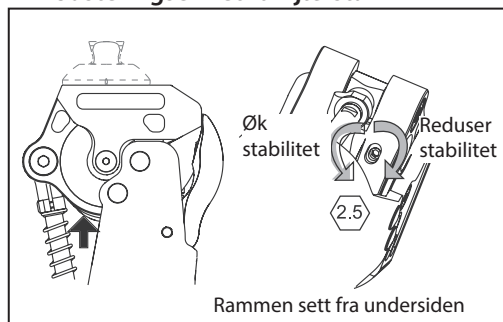


7 Statisk oppretting

Instruksjonene i dette avsnittet er kun ment for legen.

Gåtester

Justeringsenhet for fjærstakk



Strekk ekstremiteten helt ut for å få tilgang til justeringsenheten.

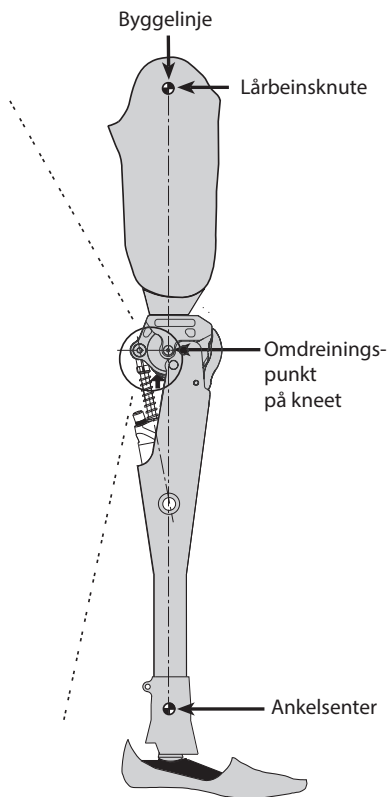
Roter **JUSTERINGSENHETEN FOR FJÆRSTAKK** for å få nødvendig stabilitet for den enkelte brukeren.

Merk... Hørbare klikk lyder ved justering, og justeringsenheten er selvlåsende.

Stram **FJÆRSTAKKEN** for å redusere stabiliteten.

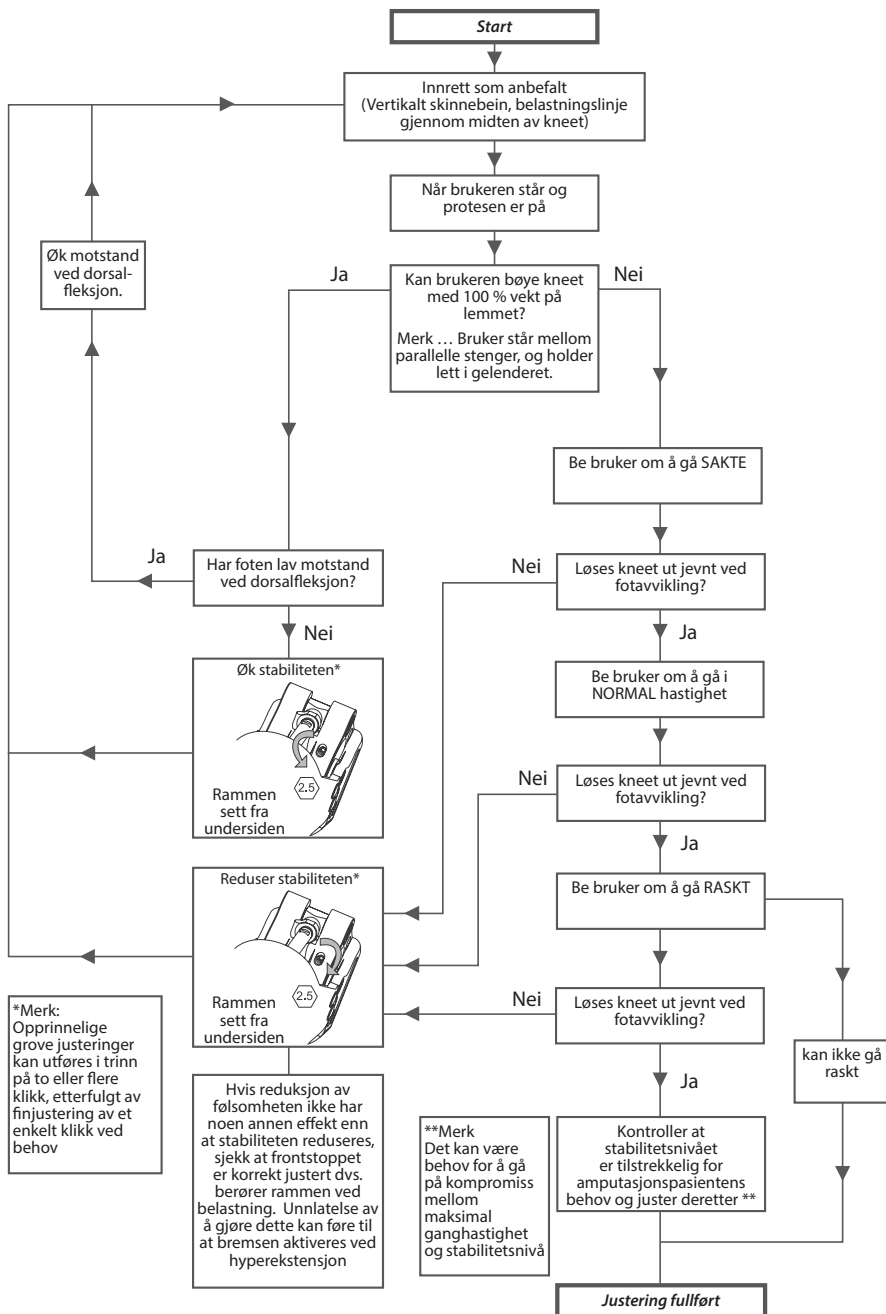
Løsne **FJÆRSTAKKEN** for å øke stabiliteten – se over.

Ved behov kan justeringsenheten tilbakestilles til fabrikkinnstillingene. Dette kan oppnås ved å redusere stabiliteten med seks hørbare klikk fra den maksimale stabilitetsinnstillingen.



8 Justeringsråd og stabilitetsjustering

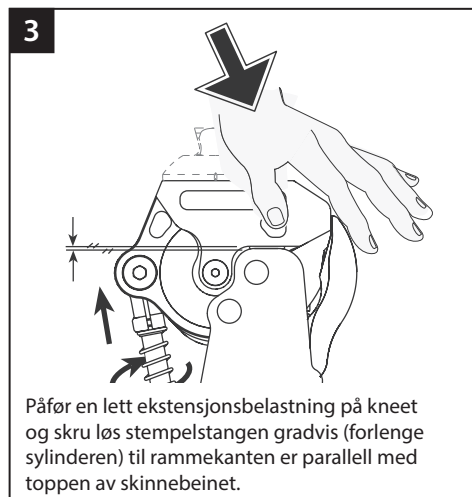
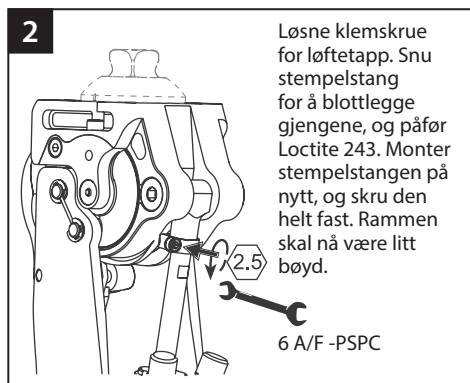
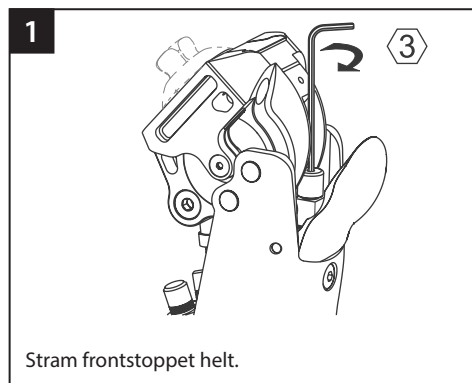
Instruksjonene i dette avsnittet er kun ment for legen.



9 Frontstoppjustering – justerbar løftetapp

Instruksjonene i dette avsnittet er kun ment for legen.

Montert på PSPC



Frontstoppjustering – ikke-justerbar intelligent protese

(som montert på eldre SmartIP-modeller.)

Ingen justering er nødvendig ved bruk av disse sylindrene. De krever at frontstoppet skal strammet fullstendig som vist i trinn 1.

For justering av svingkontrollenheter, se aktuell bruksanvisning.

9.1 Videre justeringer

Instruksjonene i dette avsnittet er kun ment for legen.

| Symptom | Løsning |
|---|---|
| Kneet er ikke stabilt | Øk følsomheten |
| | Flytt hylsen fremover |
| | Skift ut stabiliseringsmekanismen hvis bakkanten av bremsen er skadet |
| Kneet utløses ikke | Reduser følsomheten |
| | Sjekk korrekt justering av stempelstangens lengde |
| | Flytt hylsen bakover |
| Hælen løftes for høyt under svingfasen | Se bruksanvisningen til kontrollsynderen |
| Hælen løftes for lite under svingfasen | Se bruksanvisningen til kontrollsynderen |
| Brukeren opplever støt i slutt punktet | Se bruksanvisningen til kontrollsynderen |
| Enheten strekkes ikke fullstendig ut under svingfasen | Se bruksanvisningen til kontrollsynderen |

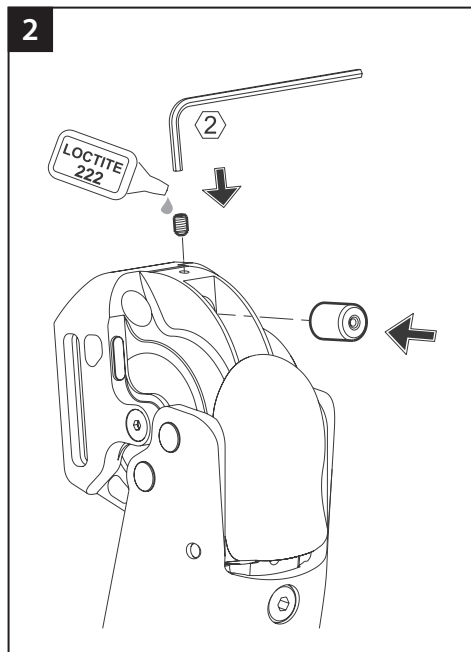
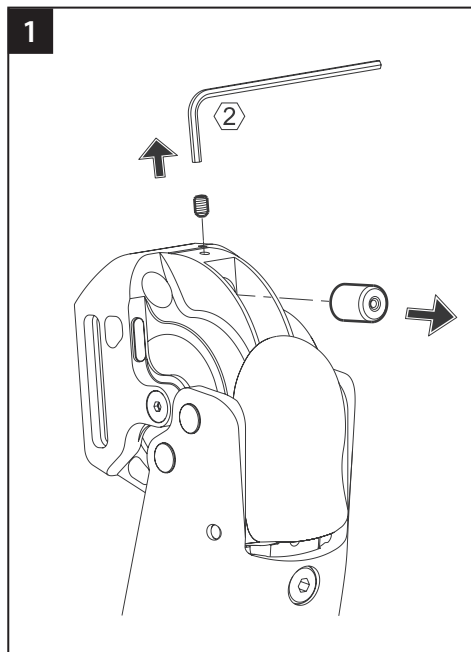
Hvis du fortsatt har problemer med funksjonen etter å ha fulgt disse instruksjonene, kan du kontakte salgsteamet i ditt område for råd.

10 Monteringsinstruksjoner

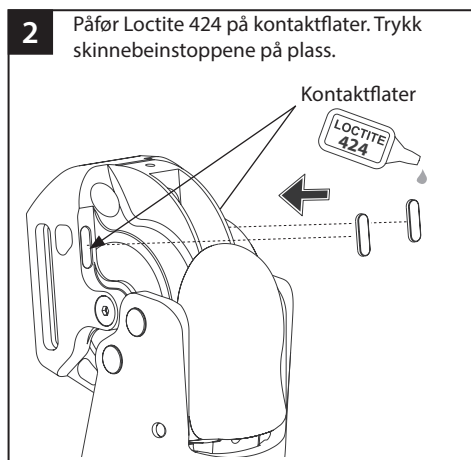
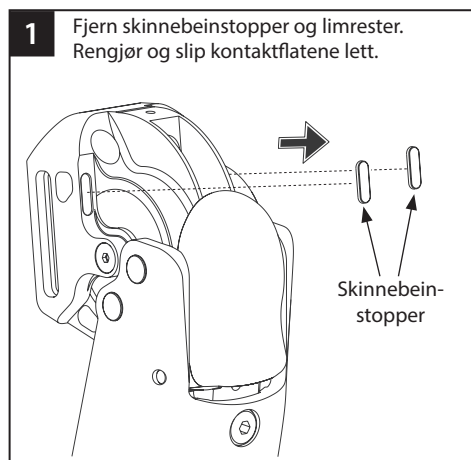
Instruksjonene i dette avsnittet er kun ment for legen.

10.1 Skifte frontstoppbufferen

Ved montering av en ny frontstopp må du alltid justere på nytt, og ved behov må lengden på sylinderen kontrolleres hvis utstyrt med en justerbar løftetapp. Juster ved behov. (Se forrige side.)

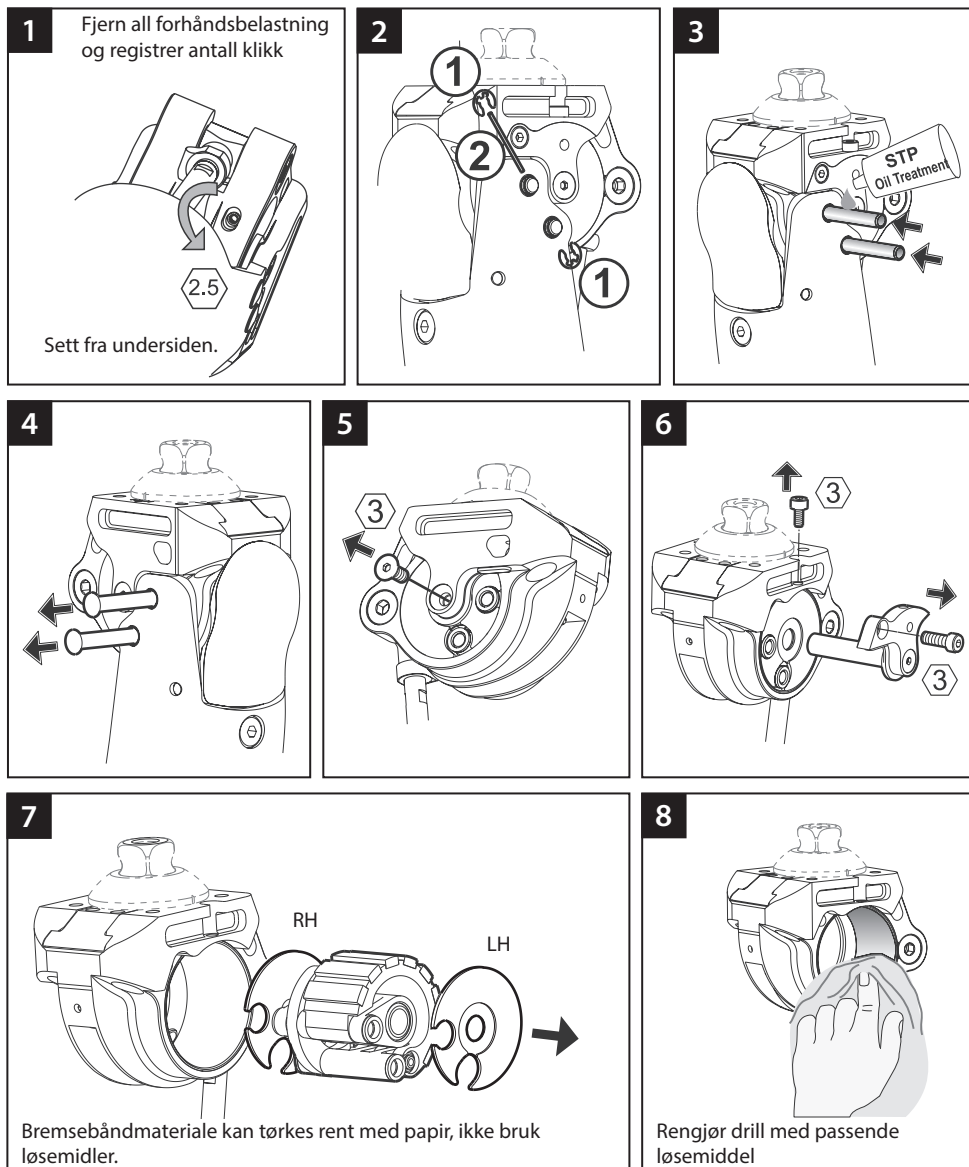


10.2 Skifte skinnebeinstopper



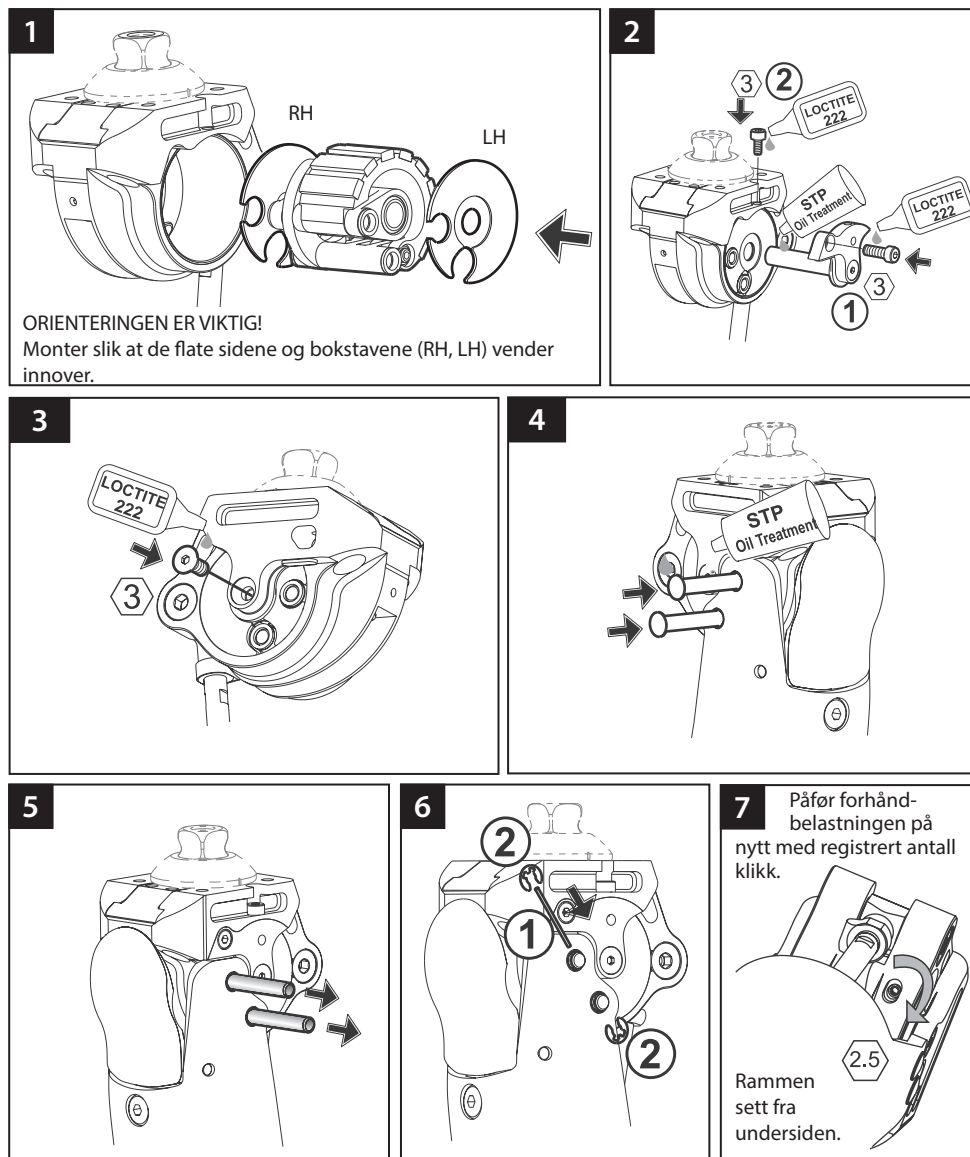
10.3 Fjerne «ESK+»-mekanismen

Instruksjonene i dette avsnittet er kun ment for legen.



10.4 Utskiftning av «ESK+»-mekanismen

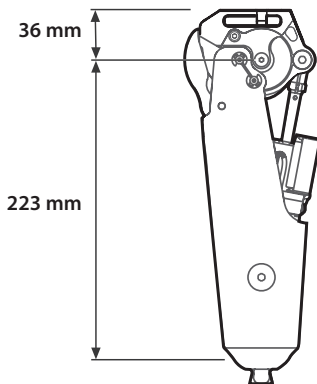
Instruksjonene i dette avsnittet er kun ment for legen.



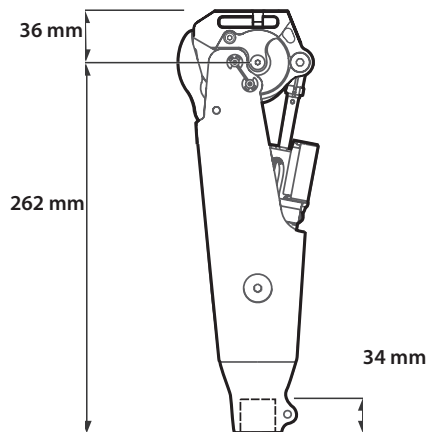
11 Tekniske data

| | |
|---|---|
| Område for drifts- og oppbevaringstemperatur: | -15 °C til 50 °C |
| Komponentvekt: | |
| SmartIP | 1,27 kg |
| PSPC | 1,13 kg |
| Aktivitetsnivå: | 2–3 (4) |
| Maksimal brukervekt: | |
| Aktivitetsnivå 2–3 | 125 kg |
| Aktivitetsnivå 4 | 100 kg |
| Maksimal fleksjonsvinkel: | 140° |
| Proksimal opprettingsvedlegg: | 4-bolts eller T-spor |
| Distalt innrettingsfeste: | 30 mm-rørklemme eller hannpyramide (Blatchford) |
| Bygghøyde: | Se diagrammer nedenfor. |

Passformlengde



**ESK+ 4-bolts
med distal pyramide**



**ESK+ 4-bolts
med distal 30 mm-rørklemme**

12 Bestillingsinformasjon

Bestillingseksempel

| | ESK+ med 4-boltsadapter | | | | | | | |
|---------------------------------|-------------------------|-----------------|-------------------------|-------------------------|----------------|-----------------|----------------|----------------|
| | Distal 30 mm-rørklemme | | | | Distalpyramide | | | |
| Pneumatisk sylinder | ESK | 4B | P | 30 | ESK | 4B | P | PYR |
| | ESK+ | 4-bolts-adapter | PSPC | Distal rørklemme, 30 mm | ESK+ | 4-bolts-adapter | PSPC | Distalpyramide |
| SmartIP-kne | SMARTIP | 4B | 30 | | SMARTIP | 4B | PYR | |
| | SmartIP-kne | 4-bolts-adapter | Distal rørklemme 30 mm | | SmartIP-kne | 4-boltsadapter | Distalpyramide | |
| Ingen kontroll-sylinder montert | ESK | 4B | 30 | | ESK | 4B | PYR | |
| | ESK+ | 4-bolts-adapter | Distal rørklemme, 30 mm | | ESK+ | 4-boltsadapter | Distalpyramide | |

Reservedeler

| Produkt | Delenr. |
|------------------------------------|---------|
| 4-bolts «ESK+»-kneenhet | 239150 |
| Innrettingspinne for ESK-mekanisme | 234914 |
| Frontstoppute | 234903 |
| ESK+, stabiliserende mekanismesett | 239949 |

Erstatningsansvar

Produsenten anbefaler å bruke enheten bare under de angitte forholdene og til de tiltenkte formål. Enheten må vedlikeholdes i henhold til bruksanvisningen som følger med enheten. Produsenten er ikke ansvarlig for skadelige utfall forårsaket av komponentkombinasjoner som ikke ble autorisert av dem.

CE-samsvar

Dette produktet oppfyller kravene i forordning (EU) 2017/745 om medisinsk utstyr. Dette produktet er klassifisert som en klasse I-enhet i henhold til klassifiseringsreglene beskrevet i vedlegg VIII til forskriften. EU-samsvarserklæringen er tilgjengelig på følgende internettadresse: www.blatchford.co.uk



Medisinsk enhet



Enkelt pasient – flere bruksmåter

Kompatibilitet

Kombinasjon med Blatchford-merkede produkter er godkjent basert på testing i samsvar med relevante standarder og MDR inkludert strukturell test, dimensjonell kompatibilitet og overvåket feltytelse.

Kombinasjon med alternative CE-merkede produkter må utføres med tanke på en dokumentert lokal risikovurdering utført av en utøver.

Garanti

Denne enheten har en garanti på 24 måneder, bremsebåndet har 12 måneder.

Brukeren skal være klar over at endringer eller modifikasjoner som ikke uttrykkelig er godkjent, kan annullere garantien, driftslisensene og unntakene.

Se nettstedet til Blatchford for gjeldende full garantierklæring.

Rapportering av alvorlige hendelser

I det usannsynlige tilfellet at det skulle oppstå en alvorlig hendelse relatert til denne enheten, skal den rapporteres til produsenten og din nasjonale kompetente myndighet.

Miljøaspekter

Produktet inneholder hydraulikkolje, blandet metall og plastikk. Der det er mulig, skal komponentene resirkuleres i samsvar med lokale forskrifter for avfallshåndtering.

Behold emballasjemerket

Legen anbefales å oppbevare emballasjeetiketten som en oversikt over den medfølgende enheten.

Produsentens registrerte adresse

Blatchford Products Limited, Lister Road, Basingstoke RG22 4AH, Storbritannia.

Varemerkeanerkjennelser

Blatchford er et registrert varemerke for Blatchford Products Limited.

| | |
|--|----|
| Sisällys | 53 |
| 1 Kuvaus ja käyttötarkoitus | 54 |
| 2 Turvallisuustietoja | 56 |
| 3 Rakenne | 57 |
| 4 Toiminta | 58 |
| 5 Huolto | 58 |
| 6 Käyttöä koskevat rajoitukset | 59 |
| 7 Staattinen linjaus | 60 |
| 8 Linjausta koskevia ohjeita ja vakauden säätö | 61 |
| 9 Etupysäyttimen säätäminen – Säädettävä saranatappi | 62 |
| 9.1 Lisäsäädöt | 63 |
| 10 Kokoonpano-ohjeet | 64 |
| 10.1 Etupysäyttimen rajoittimen vaihtaminen | 64 |
| 10.2 Säären pysäyttimien vaihtaminen | 64 |
| 10.3 ESK+-mekanismin irrottaminen | 65 |
| 10.4 ESK+-mekanismin vaihtaminen | 66 |
| 11 Tekniset tiedot | 67 |
| 12 Tilautustiedot | 68 |

1 Kuvaus ja käyttötarkoitus

Nämä käyttöohjeet on tarkoitettu proteesiteknikolle ja käyttäjälle, ellei toisin mainita.

Termiä laite käytetään näissä ohjeissa puhuttaessa nelipulttisista ESK+-polvilaitteista.

Lue ja varmista, että ymmärrät kaikki ohjeet, etenkin kaikki turvallisuuteen ja huoltoon liittyvät ohjeet.

Käyttö

Laite on tarkoitettu käytettäväksi vain osana alaraajaproteesia.

Tämä laite on tarkoitettu vain henkilökohtaiseen käyttöön.

Polvilaitteessa on yksiakselinen runko, ja sen kuormituksessa aktivoituva stabiloituva polvi antaa tukea proteesille kävelyyn eri tahdissa ja erilaisilla alustoilla. Sen tarkoitus on parantaa turvallisuutta ja vähentää kompensaation tarvetta.

Sääriosaan voidaan asentaa paineilmatoiminen heilahdusvaiheen säädin (PSPC) tai SmartIP-älyproteesi tai se voidaan toimittaa ilman sylinteriä.

Laitteessa voidaan käyttää joko nelipulttista tai T-uraliitosta proksimaalisesti ja joko urospyramidia tai putkenkirstintä (30 mm) distaalisesti.

Ominaisuudet

| | Manuaalisesti säädettävä PSPC | Mikroprosessoriohjattu SmartIP |
|--|-------------------------------|--------------------------------|
| Tukivaiheen koukistus kuormituksen aikana | ✓ | ✓ |
| Kestävä hiilikuiturunko | ✓ | ✓ |
| Polven koukistus 140 astetta | ✓ | ✓ |
| Polven vakausherkkyyden säätö | ✓ | ✓ |
| Manuaalisesti erikseen säädettävä heilahduksen hallinta koukistuksessa ja ojennuksessa | ✓ | |
| Mikroprosessoriohjattu heilahduksen hallinta koukistuksessa ja manuaalisesti säädettävä tynkään kohdistuvan iskun vaimennus ojennuksessa | | ✓ |

Aktiivisuustaso

Tämä laite soveltuu aktiivisuustasojen 2, 3 ja 4 käyttäjille (painorajoitukset täytyy huomioida, ks. *Tekniset tiedot*).

Laite ei välttämättä sovellu aktiivisuustason 1 käyttäjille eikä kilpaurheiluun. Näiden henkilöiden on parempi käyttää erikoisvalmisteista proteesia, joka on optimoitu heidän tarpeisiinsa sopivaksi.

Aktiivisuustaso 1

Pystyy käyttämään tai on mahdollisuus käyttää proteesia siirtymiseen tai liikkumiseen tasaisella pinnalla tasaiseen tahtiin. Tyypillistä rajallisesti ja rajoituksitta liikkuvalle.

Aktiivisuustaso 2

Pystyy liikkumaan tai on mahdollisuus liikkua ja pystyy ylittämään matalia esteitä, kuten reunakiveyksiä, portaita tai epätasaisia pintoja. Tyypillistä rajallisesti ulkona liikkuvalle.

Aktiivisuustaso 3

Pystyy liikkumaan tai on mahdollisuus liikkua vaihtelevaan tahtiin. Tyypillistä ulkona liikkuvalle, joka pystyy ylittämään useimmat esteet ja jolla on työhön, terapiaan tai liikuntaan liittyvää toimintaa, joka vaatii proteesilta yksinkertaista liikettä enemmän.

Aktiivisuustaso 4

Pystyy liikkumaan tai on mahdollisuus liikkua proteesilla perusliikkumistaitoja vaativammin, sisältäen iskuja, räsitusta ja voimaa. Tyypillinen vaatimus lasten, aktiivisten aikuisten ja urheilijoiden proteesilta.

Kliiniset hyödyt

- Kuormituksessa aktivoituvaa tukivaiheen hallinta ja säädettävä heilahduksen hallinta tekevät kävelystä tasaista ja turvallista ja polven liikkeestä vapaan.
- Mikroprosessoriohjattu heilahduksen hallinta optimoi kävelytyylin eri kävelynopeuksilla. (Vain SmartIP.)
- Stabilointimekanismeissa on kimmoisa toiminto, joka mahdollistaa rajallisen koukistuksen tukivaiheessa kuormituksen aikana ja vaimentaa iskukuormitusta kantaiskun aikana.

Vasta-aiheet

Laite ei sovellu henkilöille, joilla on

- äärimmäistä lihasheikkoutta, jäykistymiä, joita ei voi mukauttaa oikein, tai asento- ja liikeastiin liittyvää toimintahäiriötä, kuten heikko tasapaino
- vastapuoleisen nivelen epävakautta tai poikkeavuutta
- monimutkaisia ongelmia, joihin liittyy useita toiminnanvajauksia.
- tarve polven taipumiseen portaita alas kuljettaessa tai istumaan laskeuduttaessa, mukaan lukien henkilöt, joilla on molemminpuolinen transfemoraalinen amputaatio. Tämä voi johtaa jarrumekanismin rikkoontumiseen, mikä puolestaan voi vaikuttaa haitallisesti vakauteen ja keston.



Käyttäjälle täytyy antaa kävelyopastusta ennen laitteen käyttöönottoa.



Varmista, että käyttäjä ymmärtää kaikki käyttöohjeet ja erityisesti kaikki huoltoon ja turvallisuuteen liittyvät ohjeet.

2 Turvallisuustietoja



Tällä varoitusmerkillä tuodaan esille tärkeitä turvallisuuteen liittyviä tietoja.



Varo sormien juuttumista.



Kaikista proteesin toimintaan tai toimivuuteen liittyvistä muutoksista, kuten epävakaudesta, kumpaankin suuntaan tapahtuvasta, rajoittuneesta tai takeltelevasta liikkeestä tai poikkeavista äänistä, tulee ilmoittaa välittömästi laitevalmistajalle.



Pidä aina kiinni kaiteesta, kun kuljet alas portaita ja myös muulloin, jos mahdollista.



Kaikki linjauksen jälkeen tehdyt suuret muutokset kantapään korkeudessa voivat heikentää raajan toimintaa.



Autoa ajettaessa on varmistettava, että asianmukaiset varusteet on asennettu. Jokaisen täytyy noudattaa paikallisia liikennelakeja moottoriajoneuvoilla ajettaessa.



Painavia kuormia kannettaessa tulee olla erityisen varovainen, koska laitteen vakaus voi heikentyä.



Käyttäjää tulee neuvoa ottamaan yhteyttä proteesiteknikkoon, jos hänen tilaansa tulee muutoksia.



Vältettävä altistumista ääriämpötiloille.



Vain pätevä proteesiteknikko saa koota, huoltaa ja korjata laitetta.

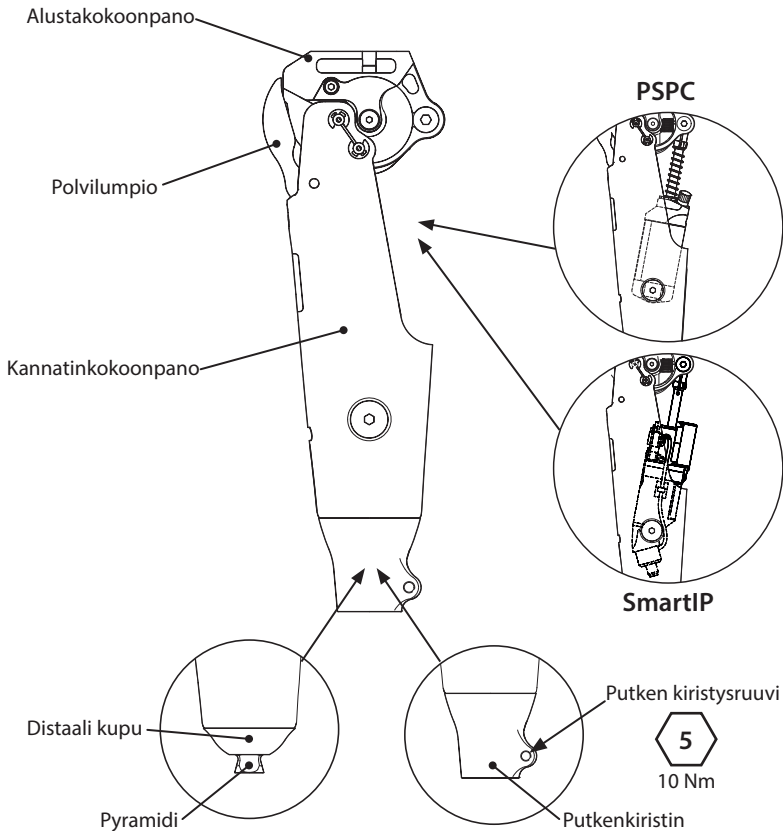


Laitetta ei ole tarkoitettu käytettäväksi veteen upotettuna tai suihkussa. Jos proteesi joutuu kosketukseen veden kanssa, pyyhi se välittömästi kuivaksi.

3 Rakenne

Tärkeimmät osat

- Kannatinkokoonpano hiilikuitukomposiitti ja ruostumaton teräs
- Alustakokoonpano alumiiniseos, ruostumaton teräs, tekninen lämpömuovi, kuituvahvistettu (ei sisällä asbestia) kitkamateriaali
- Distaali kupu alumiiniseos
- Distaali pyramidi titaani ja pultti ruostumatonta terästä
- Distaali putkenkiristin alumiiniseos
- Polvilumpio tekninen lämpömuovi
- PSCP alumiiniseos, ruostumaton teräs, titaani, tekninen lämpömuovi
- SmartIP alumiiniseos, ruostumaton teräs, titaani, tekninen lämpömuovi elektroniset osat, akut



4 Toiminta

Yksiakselinen polvi käsittää alustan, joka kiinnittyy niveltapilla kannattimeen. Kuormituksessa aktivoituva stabiloiva polvimekanismi on alustan sisällä. Stabilointimekanismeissa on kimmoisa toiminto, joka mahdollistaa rajallisen koukistuksen tukivaiheessa kuormituksen aikana ja vaimentaa iskukuormitusta kantaiskun aikana.

Polven ohjaussylinteri sijaitsee runkokokoonpanossa alustan posteriorisen niveltapin ja kannattimen distaalisen niveltapin välissä.

PSPC-sylinterissä on manuaalisesti säädettävät venttiilit, jotka hallitsevat erikseen koukistus- ja ojennusvastusta heilahdusvaiheen aikana.

SmartIP-ohjaussylinterin sisällä olevat anturit valvovat kävelynopeutta ja säätävät koukistusvastusta automaattisesti sen mukaan. Ojennuksen hallinta säädetään kiinteästi tynkään kohdistuvan iskun vaimentimella.

5 Huolto

Tarkista laite silmämääräisesti säännöllisesti.

Ilmoita kaikista tämän laitteen toiminnassa esiintyvistä muutoksista, kuten poikkeavista äänistä, lisääntyneestä jäykkyydestä, rajoittuneesta/liiallisesta kiertoliikkeestä, merkittävästä kulumisesta tai pitkäaikaisesta ultraviolettivalolle altistumisesta johtuvista huomattavista värimuutoksista proteesiteknikolle/laitevalmistajalle.

Ilmoita proteesiteknikolle/laitevalmistajalle, jos painossasi ja/tai aktiivisuustasossasi tapahtuu muutoksia.

Puhdistus

Puhdista ulkopinnat kostealla liinalla ja miedolla saippualla. ÄLÄ käytä voimakkaita puhdistusaineita.

Loput tässä kappaleessa annetuista ohjeista on tarkoitettu vain proteesiteknikoille.

Nämä huoltotoimenpiteet saa tehdä vain pätevä ammattihenkilö (proteesiteknikko tai asianmukaisen koulutuksen saanut apuvälineteknikko).

Jotta laite toimisi mahdollisimman hyvin, on suositeltavaa tarkistaa säännöllisesti mahdolliset poikkeavat äänet, väljyys ja laitteen vakaus. Tarkistusvälien pituuteen vaikuttavat esimerkiksi käyttäjän aktiivisuus, käytön toistuvuus ja polven vakausasetukset.

Ohjeena voidaan pitää seuraavaa: Jos asetus on kuusi naksahdusta tai enemmän ja käyttäjä kävelee keskimäärin 600 000 askelta vuodessa, tarkistus on suositeltavaa tehdä kerran vuodessa.

Jos vakausasetus on alle kuusi naksahdusta ja/tai käyttäjä kävelee keskimääräistä vähemmän askeleita, tarkistusväli voi olla pidempi.

Raajan aktiivisuusmittarin käyttö on suositeltavaa askelmäärän laskemista varten.

Suosittelemme polven säätämistä käyttäjän yksilöllisten vakaustarpeiden mukaisesti optimaalisen vakauden ja kestävyuden varmistamiseksi. Katso säätöohjeita/vuokaaviota.

Tee seuraavat tarkistukset:

- Tarkista silmämääräisesti, näkykö vikoja, jotka voivat heikentää toimintaa.
- Tarkista etupysäytin ja vaihda tarvittaessa.
- Tarkista säären pysäyttimet ja vaihda tarvittaessa.
- Pura, puhdista ja kokoa uudelleen.

Kerro käyttäjälle, että on suositeltavaa tarkistaa laite säännöllisesti silmämääräisesti ja että laitteen toimivuudessa esiintyvistä muutoksista täytyy ilmoittaa proteesiteknikolle. Laitteen toimivuuteen liittyviä muutoksia ovat esimerkiksi polven jäykkyyden lisääntyminen tai vähentyminen, epävakaus, tuen väheneminen (vapaa liike) ja poikkeavat äänet.

Säilytys ja käsittely

Pitkäaikainen säilytys kuivassa ja -15–50 °C:een lämpötilassa.

Säilytä alkuperäisessä tuotepakkauksessa.

6 Käyttöä koskevat rajoitukset

Kestoikä

Toimintaan ja käyttöön perustuva paikallinen riskiarviointi tulee tehdä.

Kantokyky

Käyttäjän painolle ja toiminnalle on asetettu raja-arvot.

Käyttäjän kokonaispainon tulee perustua paikalliseen riskiarviointiin.

Ympäristö

Vältä altistamasta laitetta syövyttävillä aineilla, kuten vedelle, hapoille ja muille nesteille. Vältä hankaavia materiaaleja, kuten hiekkaa, sisältäviä ympäristöjä, koska ne voivat aiheuttaa ennenaikaista kulumista.

Sallittu käyttölämpötila -15–50 °C.



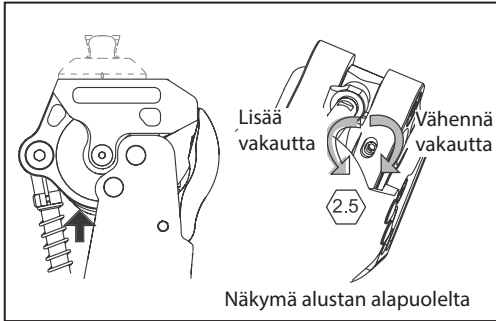
Soveltuu ulkokäyttöön

7 Staattinen linjaus

Tässä kappaleessa esitetyt ohjeet on tarkoitettu vain proteesiteknikoille.

Kävelytestit

Jousipakan säädin



Ojenna raaja täysin suoraksi, jotta pääset käsiksi säätimeen.

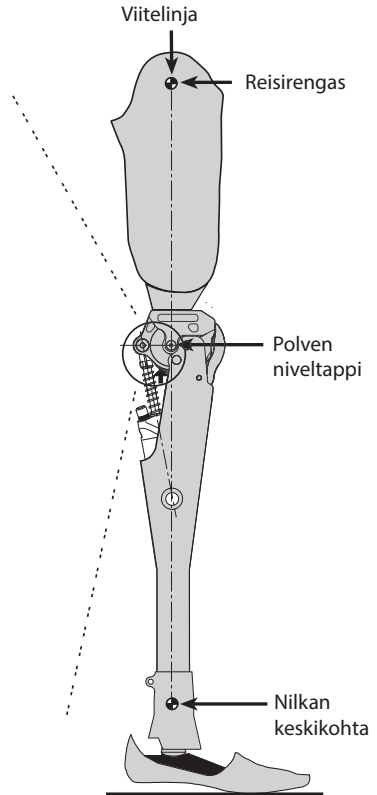
Pyöritä JOUSIPAKAN SÄÄDINTÄ niin, että vakaus on käyttäjälle sopiva.

Huomautus... Säätöä tehtäessä pitäisi kuulua naksahduksia. Säädin on itselukittuva.

Kiristä JOUSIPAKAN SÄÄDINTÄ, kun haluat vähentää vakautta.

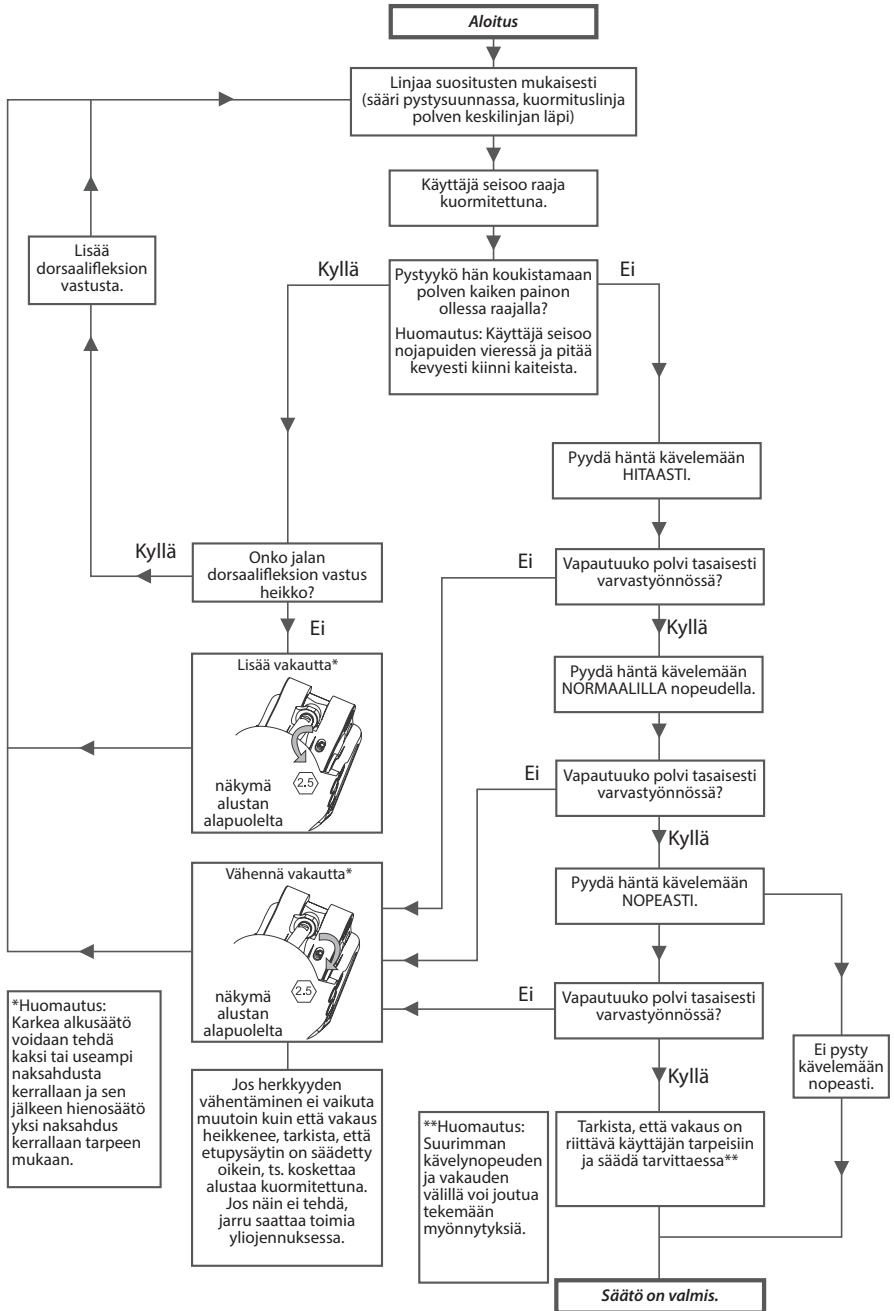
Avaa JOUSIPAKAN SÄÄDINTÄ, kun haluat lisätä vakautta. Katso yllä.

Säädin voidaan tarvittaessa palauttaa tehdasasetuksiin. Tämä tehdään vähentämällä vakautta kuuden kuuluvan naksahduksen verran kaikkein vakaimmasta asetuksesta.



8 Linjausta koskevia ohjeita ja vakauden säätö

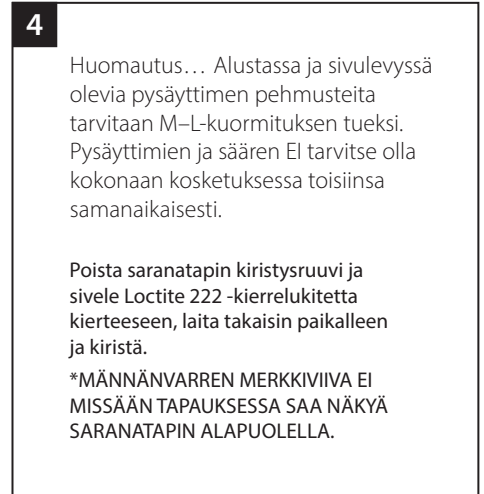
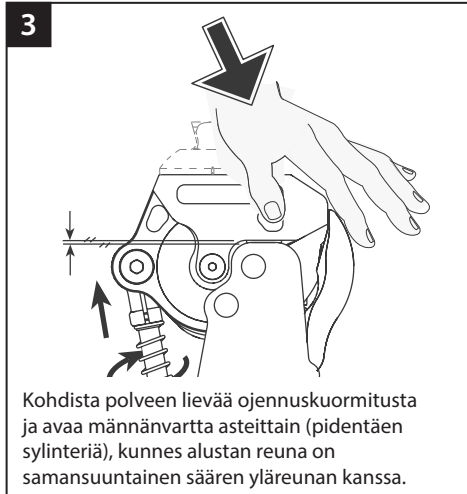
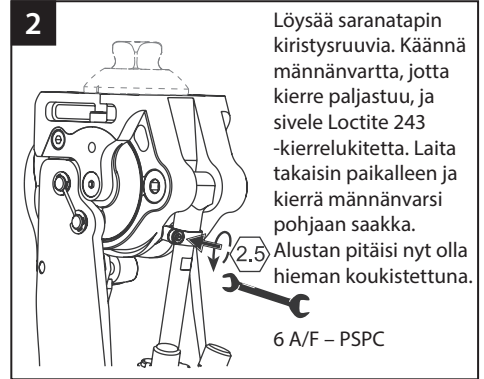
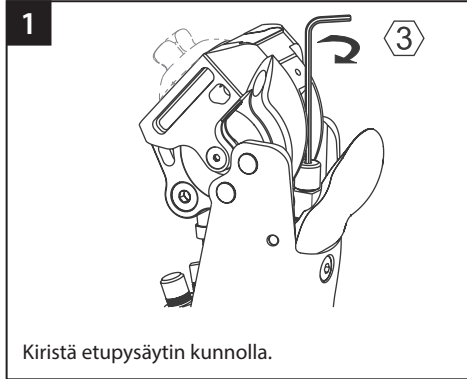
Tässä kappaleessa esitetyt ohjeet on tarkoitettu vain proteesiteknoille.



9 Etupysäyttimen säätäminen – Säädettävä saranatappi

Tässä kappaleessa esitetyt ohjeet on tarkoitettu vain proteesiteknikoille.

Asennettu PSPC-säätimen



Etupysäyttimen säätäminen – ei-säädettävä älyproteesi

(Vanhempiin SmartIP-malleihin asennettu.)

Näitä sylintereitä käytettäessä ei tarvitse tehdä mitään säätöjä. Etupysäytin täytyy kuitenkin kiristää kunnolla, kuten vaiheessa 1 on neuvottu.

Katso heilahduksen hallintalaitteiden säädöt vastaavista käyttöohjeista.

9.1 Lisäsäädöt

Tässä kappaleessa esitetyt ohjeet on tarkoitettu vain proteesiteknikoille.

| Ongelma | Ratkaisu |
|---|--|
| Polvi ei vakaudu | Lisää herkkyyttä. |
| | Siirrä holkkia eteenpäin. |
| | Vaihda stabilointimekanismi, jos jarrun takareuna on vahingoittunut. |
| Polvi ei vapaudu | Vähennä herkkyyttä. |
| | Tarkista, että männänvarren pituus on säädetty oikein. |
| | Siirrä holkkia taaksepäin. |
| Kantapää nousee liian korkealle heilahdusvaiheessa. | Katso ohjaussylinterin käyttöohjetta. |
| Kantapää nousee liian vähän heilahdusvaiheessa. | Katso ohjaussylinterin käyttöohjetta. |
| Käyttäjätuntee tynkään kohdistuvan iskun. | Katso ohjaussylinterin käyttöohjetta. |
| Laite ei vapaudu täysin heilahdusvaiheessa. | Katso ohjaussylinterin käyttöohjetta. |

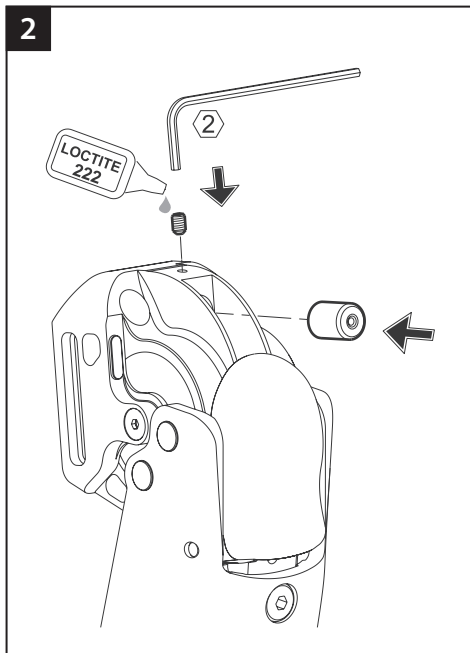
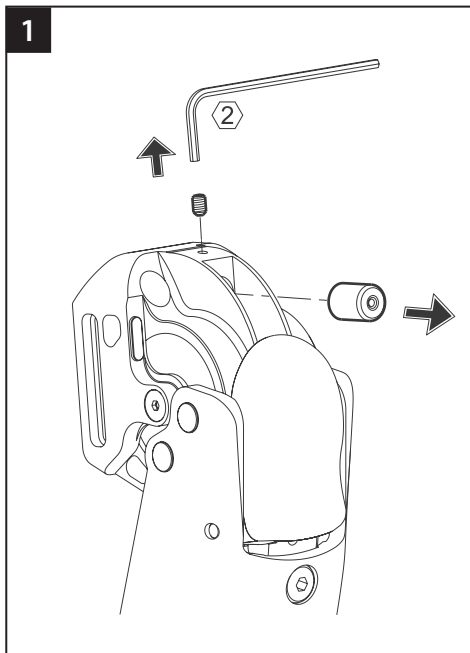
Jos ongelmia esiintyy edelleen, kun näitä ohjeita on noudatettu, kysy neuvoa lähimmästä myyntipisteestä.

10 Kokoonpano-ohjeet

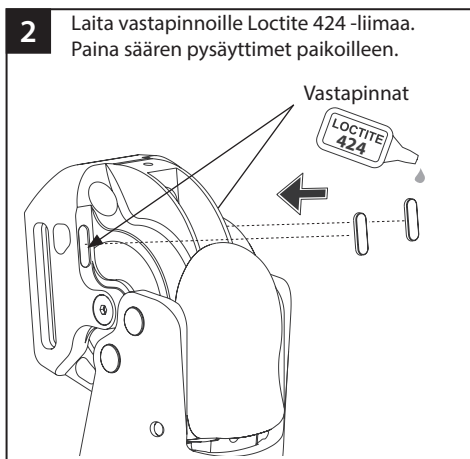
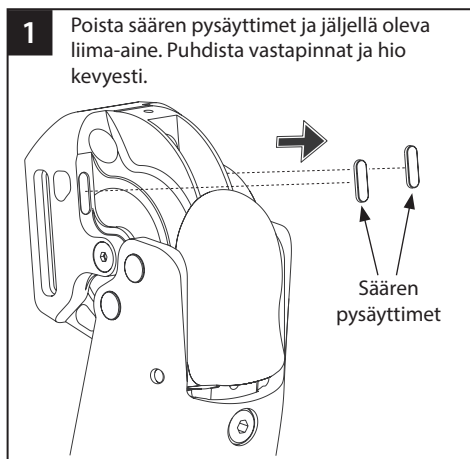
Tässä kappaleessa esitetyt ohjeet on tarkoitettu vain proteesitekniikoille.

10.1 Etupysäyttimen rajoittimen vaihtaminen

Kun asennat uuden etupysäyttimen, säädä se ja tarkista tarvittaessa sylinterin pituus, jos säädettävä saranatappi on asennettu. Säädä tarvittaessa. (Katso edellistä sivua.)

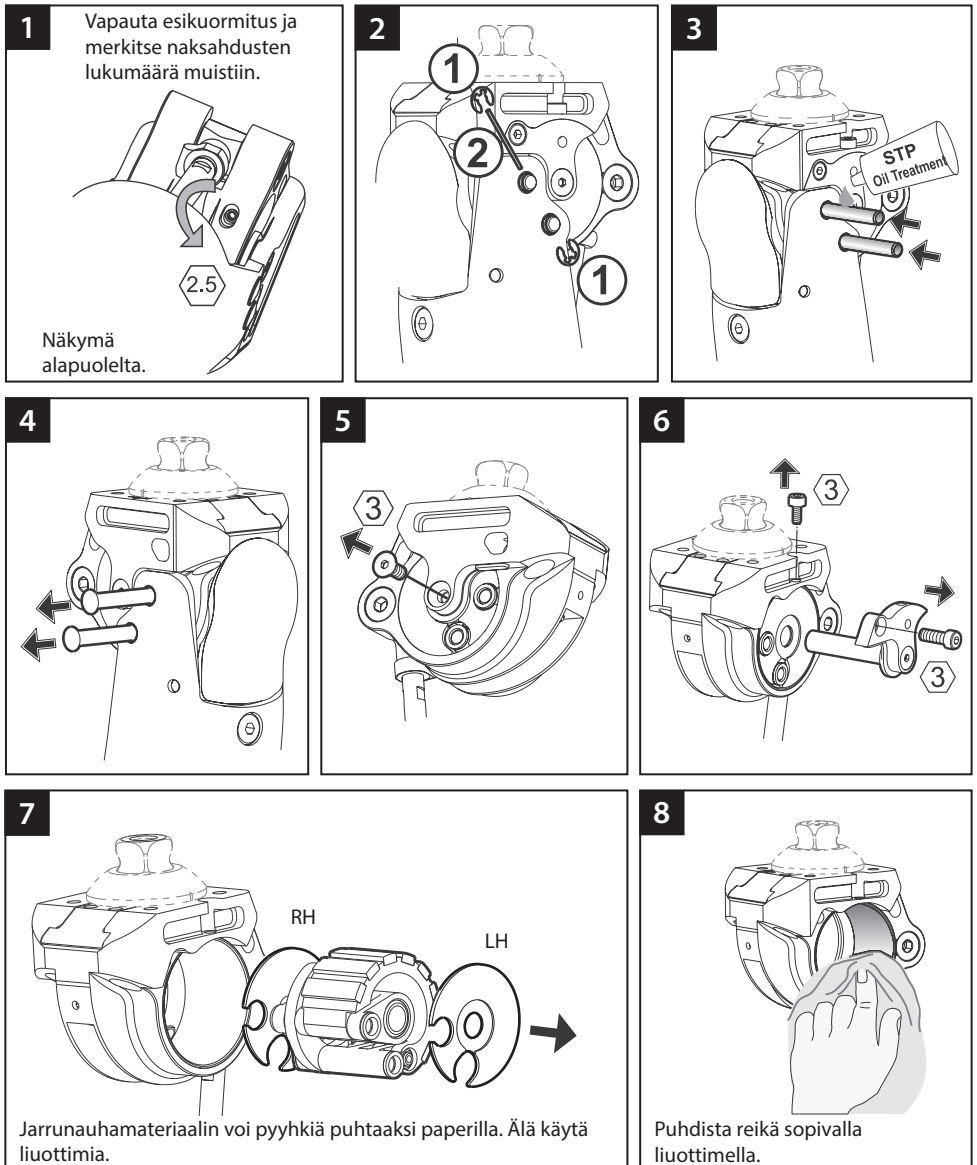


10.2 Säären pysäyttimien vaihtaminen



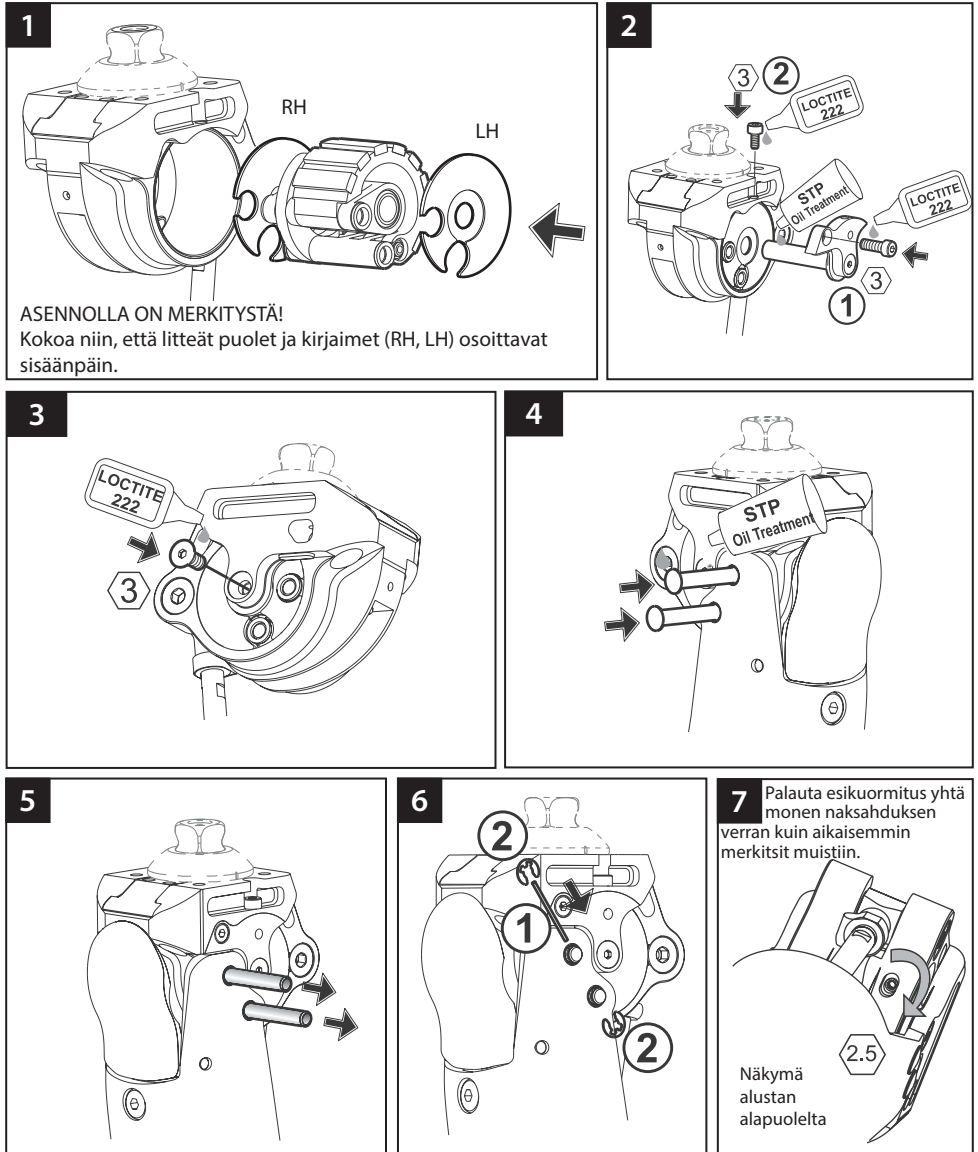
10.3 ESK+-mekanismin irrottaminen

Tässä kappaleessa esitetyt ohjeet on tarkoitettu vain proteesiteknikoille.



10.4 ESK+-mekanismin vaihtaminen

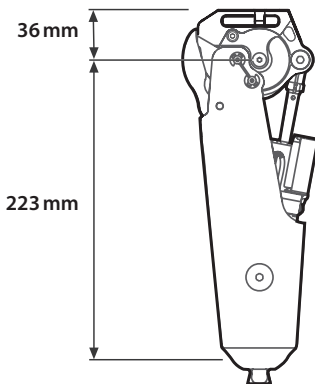
Tässä kappaleessa esitetyt ohjeet on tarkoitettu vain proteesiteknikoille.



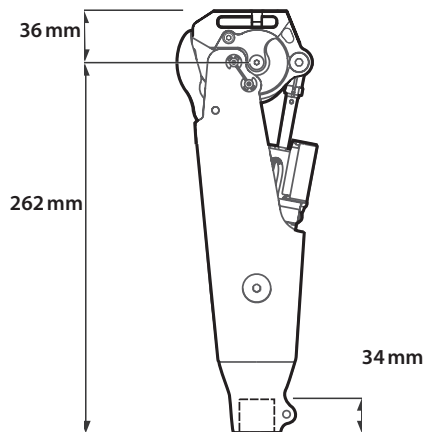
11 Tekniset tiedot

| | |
|------------------------------------|---|
| Käyttö- ja säilytyslämpötila-alue: | -15–50 °C |
| Paino: | |
| SmartIP | 1,27 kg |
| PSPC | 1,13 kg |
| Aktiivisuustaso: | 2–3 (4) |
| Suurin sallittu käyttäjän paino: | |
| Aktiivisuustasot 2–3 | 125 kg |
| Aktiivisuustaso 4 | 100 kg |
| Maksimikoukistuskulma: | 140° |
| Proksimaalinen kiinnitys: | 4 pulttia tai T-ura |
| Distaalikiinnitys: | putkenkiristin 30 mm tai urospyramidi (Blatchford) |
| Rakenteen korkeus: | katso kuvat alla |

Sovituspituus



**nelipulttinen ESK+
distaalipyramidilla**



**nelipulttinen ESK+
30 mm:n distaalisella
putkenkiristimellä**

12 Tilaustiedot

Tilaukesimerkki

| | ESK+ nelipulttisella adapterilla | | | | | | | |
|---------------------------|----------------------------------|------------------------|----------------------------------|----------------------------------|-------------------|------------------------|-------------------|-------------------|
| | Distaalinen putkenkirstin, 30 mm | | | | Distaali pyramidi | | | |
| Paineilma- sylinteri | ESK | 4B | P | 30 | ESK | 4B | P | PYR |
| | ESK+ | Nelipulttinen adapteri | PSPC | Distaalinen putkenkirstin, 30 mm | ESK+ | Nelipulttinen adapteri | PSPC | Distaali pyramidi |
| SmartIP- polvi | SMARTIP | 4B | 30 | | SMARTIP | 4B | PYR | |
| | SmartIP-polvi | Nelipulttinen adapteri | Distaalinen putkenkirstin 30 mm | | SmartIP-polvi | Nelipulttinen adapteri | Distaali pyramidi | |
| Ilman ohjaussylinteriä | ESK | 4B | 30 | | ESK | 4B | PYR | |
| | ESK+ | Nelipulttinen adapteri | Distaalinen putkenkirstin, 30 mm | | ESK+ | Nelipulttinen adapteri | Distaali pyramidi | |

Varaosat

| Osa | Osa- numero |
|------------------------------------|-------------|
| Nelipulttinen ESK+-polvikokoonpano | 239150 |
| ESK-mekanismin kohdistustappi | 234914 |
| Etupysäyttimen pehmuste | 234903 |
| ESK+-stabilointimekanismisarja | 239949 |

Vastuu

Valmistaja suosittelee, että laitetta käytetään ainoastaan ilmoitetuissa olosuhteissa ja aiottuun käyttötarkoitukseen. Laitetta täytyy huoltaa laitteen mukana toimitettujen käyttöohjeiden mukaisesti. Valmistaja ei ole vastuussa mistään haitallisista seuraamuksista, jotka johtuvat sellaisten osakokoonpanojen käytöstä, joita valmistaja ei ole hyväksynyt.

CE-vaatimustenmukaisuus

Tämä tuote täyttää lääkinnällisistä laitteista annetun Euroopan unionin säädöksen 2017/745 vaatimukset. Tämä tuote on luokiteltu luokan I tuotteeksi kyseisen säädöksen liitteen VIII luokituskriteerien mukaisesti. Todistus EU:n vaatimustenmukaisuusvakuutuksesta löytyy osoitteesta: www.blatchford.co.uk



Lääkinnällinen laite



Yhdelle potilaalle, kestävä käyttöinen

Yhteensopivuus

Blatchfordin omien tuotteiden käyttö on hyväksytty edellyttäen että ne on testattu asiaankuuluvien standardien ja MDR-asetuksen mukaisesti käsittäen myös rakenteellisen testin, mittojen yhteensopivuuden ja valvotun kenttätoimivuuden.

Vaihtoehtoisia CE-merkittyjä tuotteita käytettäessä täytyy ottaa huomioon proteesiteknikon tekemä dokumentoitu paikallinen riskiarviointi.

Takuu

Tällä laitteella on 24 kuukauden takuu ja jarrunauhalla 12 kuukauden takuu.

Käyttäjän tulee olla tietoinen siitä, että takuu, käyttöluva ja erityisluvut voidaan mitätöidä, jos laitteeseen tehdään muutoksia tai muunnoksia, joita ei ole erikseen hyväksytty.

Tämänhetkiset täydelliset takuutiedot löytyvät Blatchfordin verkkosivustolta.

Vakavista tapahtumista ilmoittaminen

Jos tähän laitteeseen liittyvä vakava tapahtuma sattuu (mikä on hyvin epätodennäköistä), asiasta tulee ilmoittaa valmistajalle ja kansalliselle toimivaltaiselle viranomaiselle.

Ympäristötiedot

Tämä laite sisältää hydraulioöljyä, erilaisia metalleja ja muoveja. Osat tulee kierrättää, mikäli mahdollista, paikallisten jätehuoltomääräysten mukaisesti.

Pakkausetiketin säilyttäminen

On suositeltavaa, että proteesiteknikko säilyttää pakkausetiketin tiedoksi tulevan varalle.

Valmistajan rekisteröity osoite

Blatchford Products Limited, Lister Road, Basingstoke RG22 4AH, Iso-Britannia.

Tavaramerkejä koskevat tiedot

Blatchford on Blatchford Products Limitedin rekisteröity tavaramerkki.

| | |
|--|----|
| Innehåll | 70 |
| 1 Beskrivning och avsett syfte..... | 71 |
| 2 Säkerhetsinformation | 73 |
| 3 Konstruktion | 74 |
| 4 Funktion..... | 75 |
| 5 Underhåll..... | 75 |
| 6 Begränsningar av användningen | 76 |
| 7 Statisk inriktning..... | 77 |
| 8 Inriktningsråd och stabilitetsjustering | 78 |
| 9 Justering av främre stopp – justerbar svängtapp..... | 79 |
| 9.1 Ytterligare justeringar..... | 80 |
| 10 Monteringsanvisningar..... | 81 |
| 10.1 Byta främre stoppbuffert..... | 81 |
| 10.2 Byta skenbensstopp..... | 81 |
| 10.3 Ta bort ESK+-mekanismen | 82 |
| 10.4 Byte av ESK+-mekanismen | 83 |
| 11 Tekniska uppgifter | 84 |
| 12 Beställningsinformation | 85 |

1 Beskrivning och avsett syfte

Denna bruksanvisning är avsedd för användning av läkare och brukare om inget annat anges. Termen enhet används i hela denna bruksanvisning för att referera till ESK+-produkter med 4 bultar.

Läs och se till att du förstår hela bruksanvisningen, särskilt all säkerhetsinformation och alla underhållsinstruktioner.

Användningssätt

Denna enhet får endast användas som en del av en underbensprotes.

Den här enheten är avsedd för en enskild brukare.

Enheten är en knäenhet som tillhandahåller en enaxlig ram för ett viktaktiverat stabiliserat knä som stödjer protesens i olika gånghastigheter och på olika underlag, och som är avsedd att förbättra säkerheten och minska kompenseringen.

Skenbenet kan försees med PSPC (pneumatisk svängningsfaskontroll) eller SmartIP (smart intelligenta protes) eller levereras utan hylsa.

Enheten medger val mellan 4-bults- eller T-uttagsanslutningar proximalt och val mellan anslutning med en hanpyramid eller en 30 mm rörklämma distalt.

Funktioner

| | Manuellt justerad PSPC | Mikroprocessorstyrd SmartIP |
|--|------------------------|-----------------------------|
| Flexion i stående ställning under viktbelastning | ✓ | ✓ |
| Robust kolfiberram | ✓ | ✓ |
| 140 graders knäflexion | ✓ | ✓ |
| Justerbar känslighet för knästabilitet | ✓ | ✓ |
| Oberoende, manuellt justerbara svängningskontroller för flexion och extension | ✓ | |
| Mikroprocessorstyrd svängningskontroll i flexion med manuellt justerbar slutlig isättningsdämpning i extension | | ✓ |

Aktivitetsnivå

Den här enheten är lämplig för brukare på aktivitetsnivå 2, 3 och 4 (viktgränser gäller, se *Tekniska uppgifter*).

Enheten är kanske inte lämplig för brukare på aktivitetsnivå 1 eller för användning i tävlingsidrott. Dessa typer av brukare har bättre nytta av en särskilt utformad protes som är optimerad för deras behov.

Aktivitetsnivå 1

Har förmåga eller potential att använda protes för förflyttning eller rörlighet på plana ytor i jämn takt. Typiskt för en patient som rör sig begränsat eller obegränsat.

Aktivitetsnivå 2

Har förmåga eller potential att förflytta sig förbi låga hinder i miljön som trottoarkanter, trappor eller ojämna ytor. Typiskt för en patient som rör sig begränsat ute i samhället.

Aktivitetsnivå 3

Har förmåga eller potential att förflytta sig i variabel takt. Typiskt för en person som har förmåga att ta sig förbi de flesta hinder i miljön och som kan bedriva yrkesmässig, terapeutisk eller motionsinriktad aktivitet som kräver att protesen kan användas för mer än bara enkel förflyttning.

Aktivitetsnivå 4

Har förmåga eller potential att förflytta sig med hjälp av en protes som överskrider den grundläggande rörelseförmågan och har höga stöt-, belastnings- eller energinivåer. Typiskt för behovet av protes hos ett barn, en aktiv vuxen eller en idrottsman.

Klinisk nytta

- Viktaktiverad kontroll i stående ställning och justerbar svängningskontroll ger en smidig, trygg gång med fritt knä.
- Mikroprocessorstyrd svängningskontroll ger optimerade gångegenskaper inom ett intervall av gånghastigheter. (Endast SmartIP.)
- Stabiliseringsmekanismen har en motståndskraftig verkan som ger begränsad flexion i stående ställning under belastning för att ta emot stötar vid hälisättningen.

Kontraindikationer

Den här enheten är inte lämplig för:

- Brukare med extrem muskelsvaghet, kontrakturer som inte kan ges korrekt utrymme eller proprioceptiv dysfunktion, inklusive dålig balans.
- Brukare med instabilitet eller patologi i det kontralaterala benet.
- Brukare med komplicerade tillstånd med flera funktionshinder.
- Brukare, inklusive personer med bilaterala transfemorala amputationer, som behöver en eftergivlig funktion i knäet för att gå nedför trappor eller sätta sig. Detta kan leda till skador på bromsmekanismen som kan påverka stabiliteten och hållbarheten negativt.














Brukaren måste få gångträning innan enheten används.



Se till att brukaren har förstått alla bruksanvisningar och särskilt uppmärksammar alla avsnitt om underhåll och säkerhetsinformation.

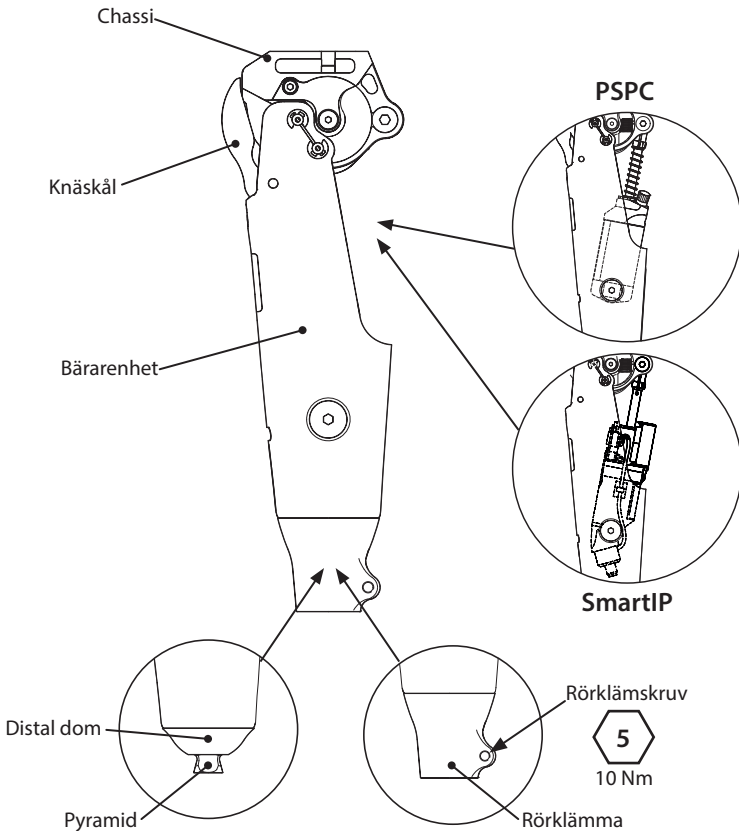
2 Säkerhetsinformation

-  Denna varningssymbol belyser viktig säkerhetsinformation.
-  Var alltid medveten om risken för att fingrarna kommer i kläm.
-  Eventuella förändringar i extremitetens prestanda eller funktion, t.ex. instabilitet, dubbelverkan, begränsad rörelse, osmidig rörelse eller ovanliga ljud, ska omedelbart rapporteras till din serviceleverantör.
-  Använd alltid ett räcke när du går nedför trappor och vid andra tillfällen om det finns något.
-  Om hälhöjden ändras för mycket efter att inriktningen har slutförts kan extremitetens funktion påverkas negativt.
-  Se till att endast lämpliga, specialutrustade fordon används vid körning. Alla måste följa sina respektive trafiklagar vid framförande av motorfordon.
-  Var försiktig när du bär tunga laster eftersom detta kan påverka enhetens stabilitet negativt.
-  Brukaren ska rekommenderas att kontakta sin läkare om tillståndet förändras.
-  Undvik exponering för extrem värme och/eller kyla.
-  Montering, underhåll och reparation av enheten får endast utföras av klinisk personal med lämpliga kvalifikationer.
-  Enheten är inte avsedd att användas nedsänkt i vatten eller som duschprotes. Torka omedelbart om extremiteten kommer i kontakt med vatten.

3 Konstruktion

Huvuddelar

- Bärenhet Kolfiberkomposit och rostfritt stål
- Chassi Aluminiumlegering, rostfritt stål, teknisk termoplast, fiberförstärkt (asbestfritt) friktionsmaterial
- Distal dom Aluminiumlegering
- Distal pyramid Titan med bult av rostfritt stål
- Distal rörklämma Aluminiumlegering
- Knäskål Teknisk termoplast
- PSPC Aluminiumlegering, rostfritt stål, titan, teknisk termoplast
- SmartIP Aluminiumlegering, rostfritt stål, titan, teknisk termoplast
Elektroniska komponenter, batterier



4 Funktion

Knäet har en enaxlig design som innefattar en knäled som ansluter ett chassi till en bärare. En viktaktiverad stabiliserande knämekanism sitter i chassit. Stabiliseringsmekanismen har en motståndskraftig verkan som ger begränsad flexion i stående ställning under belastning för att ta emot stötar vid hälisättning.

En knäkontrollhylsa är monterad i denna ram mellan chassits bakre led och bärarens distala led.

PSPC-hylsan har manuellt justerbara ventiler som ger oberoende styrning av flexions- och extensionsmotstånd under svängningsfasen.

SmartIP-kontrollhylsan använder sensorer inuti hylsan för att övervaka gånghastigheten och justerar automatiskt flexionsmotståndet efter detta. Extensionskontroll sker via fast inställning av en slutlig stötdämpare.

5 Underhåll

Inspektera enheten regelbundet.

Rapportera eventuella förändringar av enhetens prestanda till läkaren/serviceleverantören, t.ex. ovanliga ljud, ökad styvhet eller begränsad/för stor rotation, betydande slitage eller kraftig missfärgning till följd av långvarig exponering för UV-ljus.

Informera läkaren/serviceleverantören om eventuella förändringar av kroppsvikt och/eller aktivitetsnivå.

Rengöring

Använd en fuktig trasa och mild tvål för att rengöra utsidan. Använd INTE starka rengöringsmedel.

Övriga instruktioner i det här avsnittet är endast avsedda för läkaren.

Detta underhåll får endast utföras av kompetent personal (praktiserande läkare eller lämpligt utbildad tekniker).

För att upprätthålla optimal prestanda rekommenderas regelbunden inspektion av oacceptabelt ljud, spel och stabilitet. Perioden mellan inspektionerna beror på faktorer som brukarens aktivitet, användningsfrekvens och knäets stabilitetsinställning.

Som vägledning rekommenderas en årlig inspektion om inställningen är 6 klick eller högre och brukaren går i genomsnitt 600 000 steg per år.

Om stabilitetsinställningen är mindre än 6 klick och/eller om brukaren går mindre än det genomsnittliga

antalet steg kan perioden mellan inspektionerna vara längre.

Användning av en extremitetsaktivitetsmonitor rekommenderas för att fastställa antalet steg.

Vi rekommenderar att knäet justeras efter personens stabilitetsbehov för optimal stabilitet och hållbarhet. Se justeringsguiden/flödesdiagrammet.

Vid dessa inspektioner:

- Kontrollera om det finns några synliga defekter som kan påverka korrekt funktion.
- Kontrollera det främre stoppet och byt ut det vid behov.
- Kontrollera skenbensstoppen och byt ut dem vid behov.
- Nedmontera, rengör och återmontera.

Informera brukaren om att en regelbunden visuell kontroll av enheten rekommenderas och att eventuella förändringar av enhetens prestanda måste rapporteras till läkaren. Förändringar av prestandan kan omfatta: ökad eller minskad knästyvhet, instabilitet, minskat knästöd (fri rörlighet) samt ovanliga ljud.

Förvaring och hantering

Vid långvarig förvaring ska enheten hållas torr och förvaras inom ett temperaturintervall på -15 °C till 50 °C.

Använd medföljande produktförpackning.

6 Begränsningar av användningen

Avsedd livslängd:

En lokal riskbedömning bör utföras på grundval av aktivitet och användning.

Lyft av laster

Brukarens vikt och aktivitet styrs av de angivna gränserna.

Den belastning som brukaren transporterar ska baseras på en lokal riskbedömning.

Miljö:

Undvik att utsätta enheten för korroderande ämnen som vatten, syror och andra vätskor. Undvik också nötande miljöer som t.ex. sandhaltiga, eftersom dessa kan orsaka förtida slitage.

Får endast användas mellan -15 °C och 50 °C.



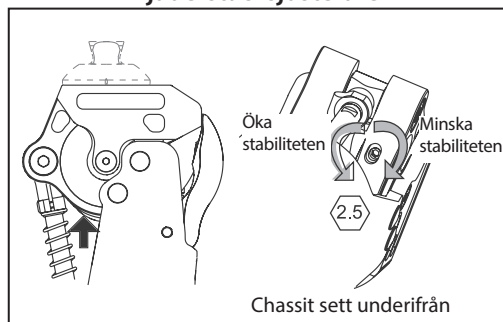
Lämplig för utomhusbruk

7 Statisk inriktning

Instruktionerna i det här avsnittet är endast avsedda för läkaren.

Gångförsök

Fjäderstacksjusterare



Sträck ut benet helt för att komma åt justeraren.

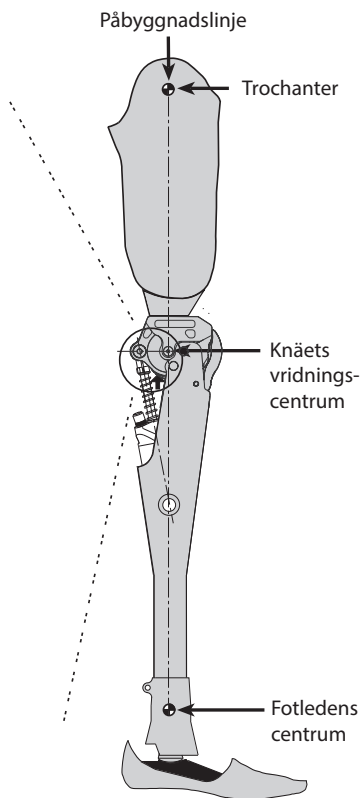
Vrid på FJÄDERSTACKSJUSTERAREN för att uppnå önskad stabilitet för den enskilda brukaren.

Obs!... Ljudliga klick ska höras vid justeringen, och justeraren är självlåsande.

Dra åt FJÄDERSTACKEN för att minska stabiliteten.

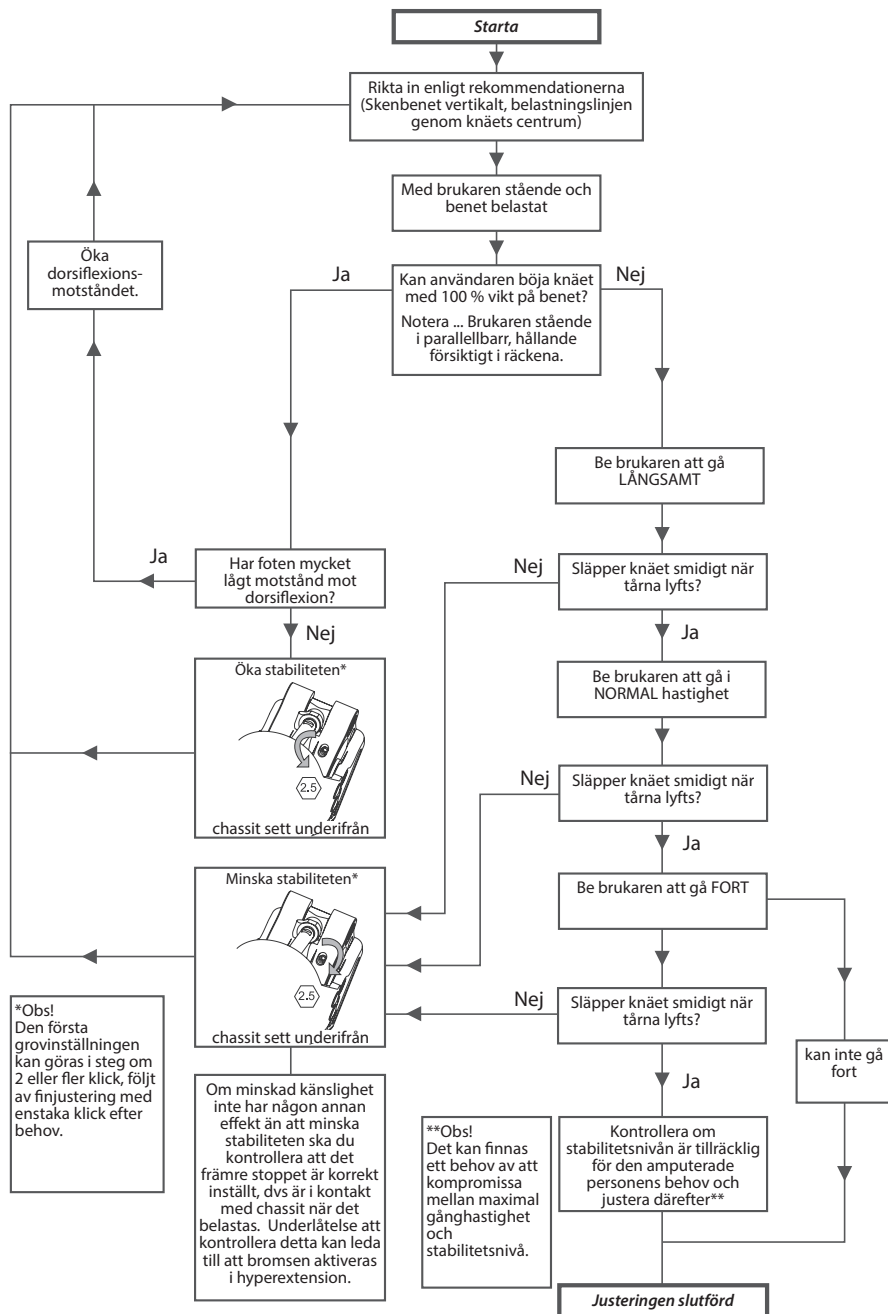
Lätta på FJÄDERSTACKEN för att öka stabiliteten – se ovan.

Om det behövs kan justeraren återställas till fabriksinställningen. Detta kan uppnås genom att minska stabiliteten med sex ljudliga klick från den högsta stabilitetsinställningen.



8 Inriktningsråd och stabilitetsjustering

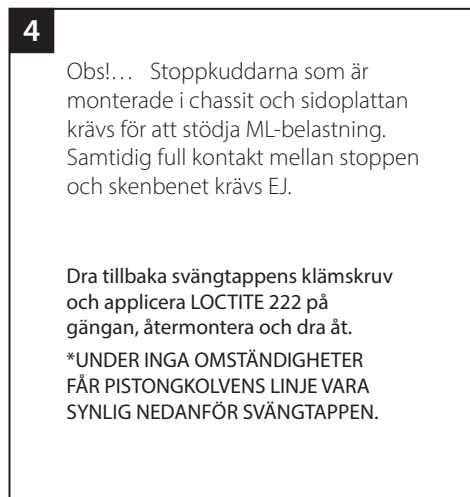
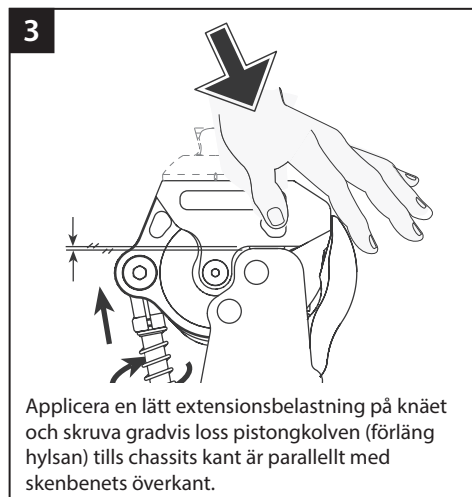
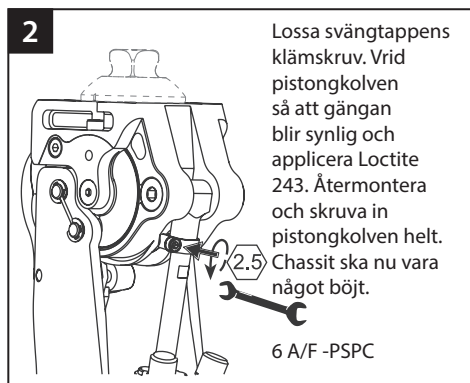
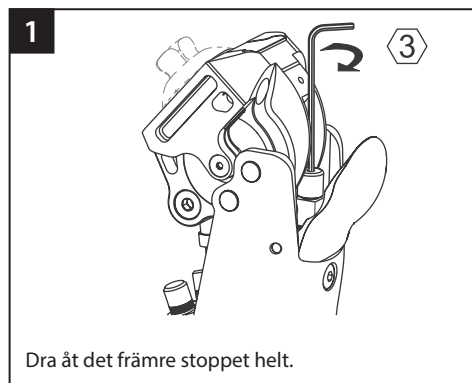
Instruktionerna i det här avsnittet är endast avsedda för läkaren.



9 Justering av främre stopp – justerbar svängtapp

Instruktionerna i det här avsnittet är endast avsedda för läkaren.

Med PSCP



Justering av det främre stoppet – icke-justerbar intelligent protes

(Monterat på äldre SmartIP-modeller.)

Ingen justering behövs när dessa hylsor används. De kräver att det främre stoppet är fullt åtdraget enligt Steg 1.

För justering av svängningskontrollenheter, se lämplig bruksanvisning.

9.1 Ytterligare justeringar

Instruktionerna i det här avsnittet är endast avsedda för läkaren.

| Symptom | Lösning |
|--|--|
| Knäet går inte att stabilisera | Öka känsligheten |
| | Flytta hylsan framåt |
| | Byt ut stabiliseringsmekanismen om bromsens bakre kant är skadad |
| Knäet släpper inte | Minska känsligheten |
| | Kontrollera att pistongkolvens längd är rätt inställd |
| | Flytta hylsan bakåt |
| Hälen höjs för högt under svängning | Se kontrollhylsans bruksanvisning |
| Hälen höjs för lite under svängning | Se kontrollhylsans bruksanvisning |
| Brukaren upplever en slutlig isättning | Se kontrollhylsans bruksanvisning |
| Enheten sträcks inte ut helt under svängning | Se kontrollhylsans bruksanvisning |

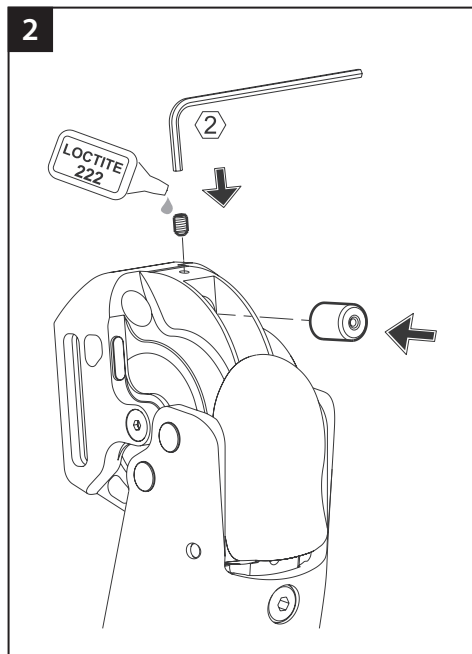
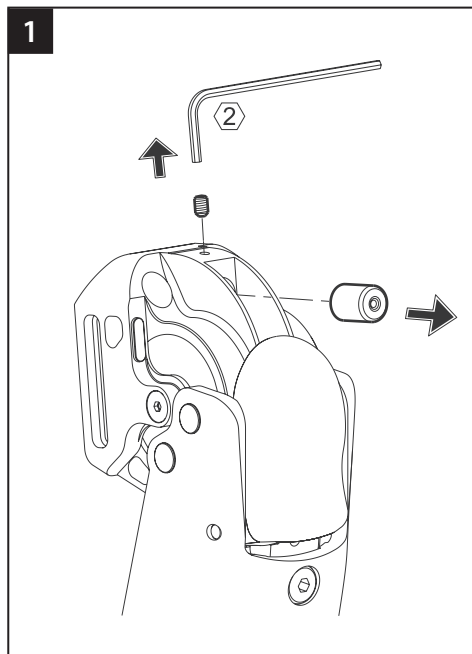
Om du efter att ha följt dessa anvisningar fortfarande har problem med funktionen kontaktar du säljteamet i ditt område för att få råd.

10 Monteringsanvisningar

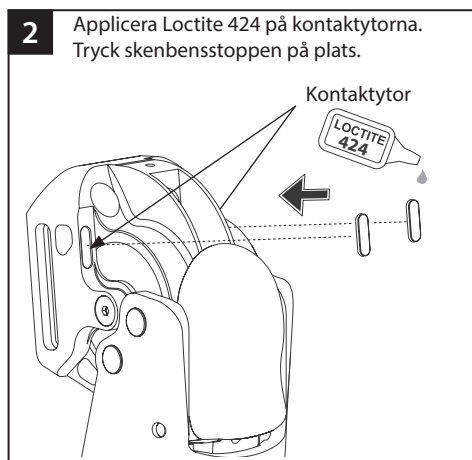
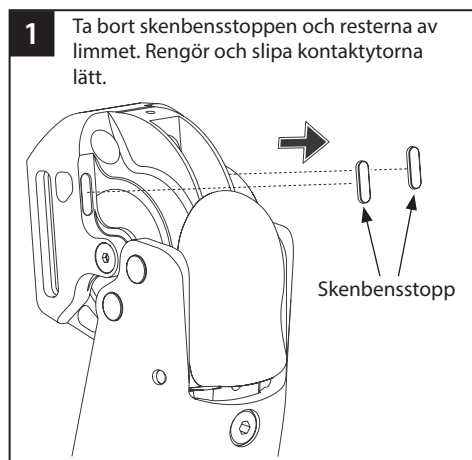
Instruktionerna i det här avsnittet är endast avsedda för läkaren.

10.1 Byta främre stoppbuffert

När du monterar ett nytt främre stopp ska du alltid justera om det och, om tillämpligt, kontrollera hylsans längd om den är försedd med en justerbar svängtapp. Justera vid behov. (Se föregående sida.)

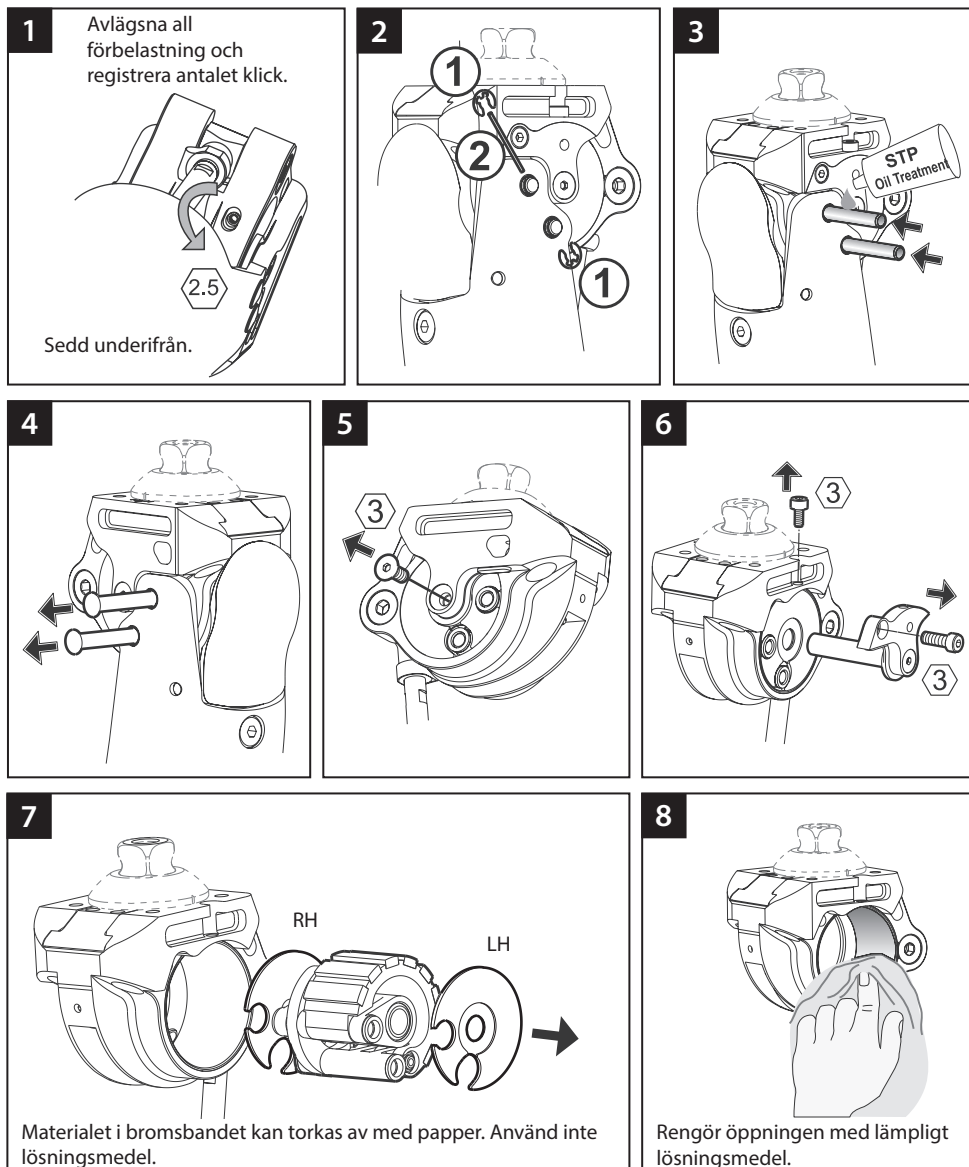


10.2 Byta skenbensstopp



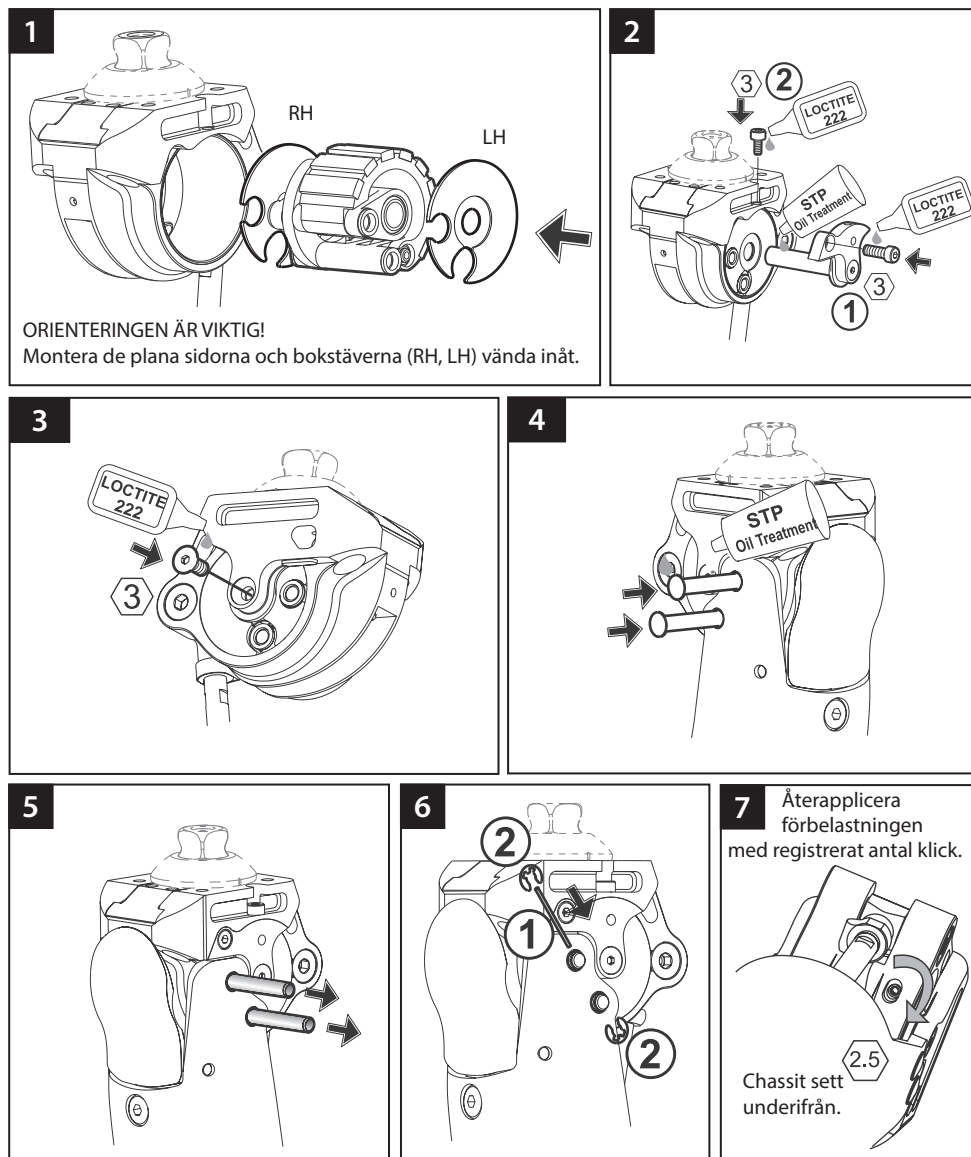
10.3 Ta bort ESK+-mekanismen

Instruktionerna i det här avsnittet är endast avsedda för läkaren.



10.4 Byte av ESK+-mekanismen

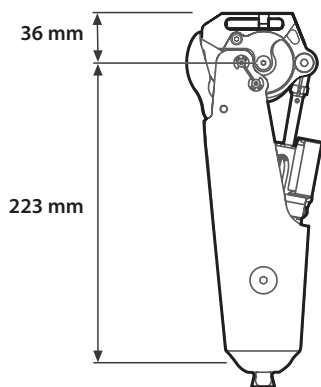
Instruktionerna i det här avsnittet är endast avsedda för läkaren.



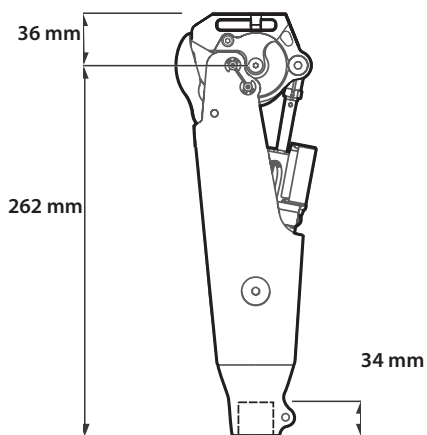
11 Tekniska uppgifter

| | |
|-------------------------------------|--|
| Temperatur vid drift och förvaring: | -15 °C till 50 °C |
| Komponentvikt: | |
| SmartIP | 1,27 kg |
| PSPC | 1,13 kg |
| Aktivitetsnivå: | 2–3 (4) |
| Maximal brukarvikt: | |
| Aktivitetsnivå 2–3 | 125 kg |
| Aktivitetsnivå 4 | 100 kg |
| Maximal flexionsvinkel: | 140° |
| Proximalt inriktningssäte: | 4 bultar eller T-uttag |
| Distalt inriktningssäte: | 30 mm rörklämma eller hanpyramid (Blatchford) |
| Påbyggnadshöjd: | Se diagrammen nedan. |

Inpassningslängd



**ESK+ 4-bultars
med distal pyramid**



**ESK+ 4-bultars
med 30 mm distal rörklämma**

12 Beställningsinformation

Exempel på beställning

| | ESK+ med 4-bultsadapter | | | | | | | |
|-------------------------------|-------------------------|-----------------|------------------------|------------------------|----------------|-----------------|----------------|----------------|
| | 30 mm distal rörklämma | | | | Distal pyramid | | | |
| Pneumatisk hylsa | ESK | 4B | P | 30 | ESK | 4B | P | PYR |
| | ESK+ | 4-bults-adapter | PSPC | Distal rörklämma 30 mm | ESK+ | 4-bults-adapter | PSPC | Distal pyramid |
| SmartIP-knä | SMARTIP | 4B | 30 | | SMARTIP | 4B | PYR | |
| | SmartIP-knä | 4-bults-adapter | Distal rörklämma 30 mm | | SmartIP-knä | 4-bultsadapter | Distal pyramid | |
| Ingen kontroll-hylsa monterad | ESK | 4B | 30 | | ESK | 4B | PYR | |
| | ESK+ | 4-bults-adapter | Distal rörklämma 30 mm | | ESK+ | 4-bultsadapter | Distal pyramid | |

Reservdelar

| Produkt | Artikel- nr. |
|---------------------------------|--------------|
| 4-bults ESK+ knäenhet | 239150 |
| ESK-mekanism, inriktningsstift | 234914 |
| Främre stoppkudde | 234903 |
| ESK+ stabiliseringsmekanismsats | 239949 |

Ansvar

Tillverkaren rekommenderar att enheten endast används under angivna förhållanden och för avsedda ändamål. Enheten måste underhållas i enlighet med de instruktioner som medföljer enheten. Tillverkaren ansvarar inte för eventuella negativa resultat som orsakas av komponentkombinationer som tillverkaren inte har godkänt.

CE-överensstämmelse

Denna produkt uppfyller kraven i EU-förordningen 2017/745 för medicintekniska produkter. Denna produkt är klassificerad som en klass I-produkt enligt de klassificeringsregler som anges i Bilaga VIII till förordningen. EU-försäkran om överensstämmelse finns på följande internetadress: www.blatchford.co.uk



Medicinteknisk utrustning



En patient – flera användningar

Kompatibilitet

Kombination med Blatchford-märkta produkter är godkänt baserat på tester i enlighet med relevanta standarder och MDR, inklusive strukturellt test, dimensionell kompatibilitet och övervakade fältprestanda.

Kombination med alternativa CE-märkta produkter måste utföras med hänsyn till en dokumenterad lokal riskbedömning som utförts av en praktiserande läkare.

Garanti

Den här enheten har 24 månaders garanti, bromsbandet 12 månader.

Brukaren bör vara medveten om att ändringar eller modifieringar som inte uttryckligen godkänts kan upphäva garantin, användningslicenserna och undantagen.

På Blatchfords webbplats finns aktuell fullständig garanti.

Rapportering av allvarliga incidenter

Om det mot förmodan skulle inträffa en allvarlig incident i samband med den här enheten ska denna rapporteras till tillverkaren och den nationella behöriga myndigheten.

Miljöaspekter

Den här produkten innehåller hydraulolja, blandade metaller och plast. Om möjligt ska komponenterna återvinnas i enlighet med lokala föreskrifter för avfallshantering.

Spara förpackningsetiketten

Praktiserande läkare rekommenderas att spara förpackningsetiketten som journal över den levererade enheten.

Tillverkarens registrerade adress

Blatchford Products Limited, Lister Road, Basingstoke RG22 4AH, Storbritannien.

Varumärkesinformation

Blatchford är ett registrerat varumärke som tillhör Blatchford Products Limited.

| | |
|--|-----|
| Содержание | 87 |
| 1 Описание и Основное Назначение | 88 |
| 2 Техника Безопасности | 90 |
| 3 Конструкция | 91 |
| 4 Функциональность | 92 |
| 5 Техническое Обслуживание | 92 |
| 6 Ограничения при Эксплуатации | 93 |
| 7 Статическая юстировка | 94 |
| 8 Рекомендации по юстировке и настройке устойчивости | 95 |
| 9 Юстировка переднего ограничителя - Юстировка Цапфы | 96 |
| 9.1 Прочие юстировки | 97 |
| 10 Сборочные Инструкции | 98 |
| 10.1 Замена переднего ограничителя-амортизатора | 98 |
| 10.2 Замена голенных ограничителей | 98 |
| 10.3 Демонтаж Механизма ESK+ | 99 |
| 10.4 Замена Механизма ESK+ | 100 |
| 11 Спецификация | 101 |
| 12 Информация для Заказа | 102 |

1 Описание и Основное Назначение

Если не оговорено иное, данная инструкция по эксплуатации предназначена для протезиста и пользователя.

Термин *устройство* относится к *Коленному Модулю ESK+ с креплением под 4-Болта (4-Bolt)* и будет использован далее в настоящей инструкции.

Пожалуйста, внимательно прочитайте данную инструкцию и убедитесь в том, что вам все понятно в ней, особое внимание следует уделить разделам, посвященным Технике безопасности и Техническому обслуживанию.

Область Применения

Данное устройство должно использоваться исключительно как составная часть протеза нижней конечности.

Устройство предназначается для индивидуального использования.

Данное устройство представляет собой коленный модуль, с моноосным шасси с активацией механизма стабилизации (устойчивости) под воздействием веса пользователя, который обеспечивает устойчивость протезной системы при хождении пользователя по различным опорным поверхностям в переменном темпе и предназначен для повышения безопасности и уменьшения компенсаторных движений при ходьбе.

Устройство поставляется с пневматическим цилиндром управления фазой переноса PSPC (Pneumatic Swing Phase Control), с микропроцессорным цилиндром управления SmartIP, или без установленного цилиндра управления.

Данное устройство имеет проксимальное крепление под 4-болта или специальный «Т»-образный паз, дистальная часть коленного модуля может иметь дистальный адаптер-пирамидку или стяжной адаптер под несущий модуль голени диаметром 30мм.

Особенности

| | Настраиваемый протезистом вручную пневматический цилиндр управления (PSPC) | Микропроцессорный управляющий цилиндр SMARTIP |
|---|--|---|
| Активация фазы опоры под воздействием веса пользователя | ✓ | ✓ |
| Высокопрочное шасси из композиционного углеволокна (карбона) | ✓ | ✓ |
| 140 градусный угол сгибания в колене | ✓ | ✓ |
| Настраиваемая чувствительность устойчивости коленного модуля | ✓ | ✓ |
| Независимая ручная настройка управления сгибанием и разгибанием коленного модуля в колене в течении фазы переноса | ✓ | |
| Микропроцессорное управление фазой переноса и сгибанием в колене с ручной юстировкой амортизатора разгибательного терминального удара | | ✓ |

Уровень Двигательной Активности

Данное устройство предназначается для пользователей с Уровнем Двигательной Активности 2, 3 и 4 (ограничения по весу приведены в разделе *Спецификация*).

Данное устройство может не подходить для пользователей с Уровнем Двигательной Активности 1, а также для применения в профессиональных спортивных состязаниях. Для таких пользователей необходимо подбирать специализированные стопы, с учетом их индивидуальных особенностей и потребностей.

Уровень Двигательной Активности 1

Пользователь обладает способностью или имеет достаточный потенциал для перемещения на протезе по ровной опорной поверхности с фиксированным темпом ходьбы. Данный уровень типичен для пользователей, которые могут ограниченно или неограниченно перемещаться в пределах помещения.

Уровень Двигательной Активности 2

Пользователь обладает способностью или имеет достаточный потенциал для перемещения на протезе, а также обладает способностью преодолевать невысокие естественные препятствия, такие как бордюры, ступени лестниц или неровные поверхности. Данный уровень типичен для пользователей, которые ограниченно перемещаются вне пределов помещения.

Уровень Двигательной Активности 3

Пользователь обладает способностью или имеет достаточный потенциал для перемещения на протезе в переменном темпе вне помещения. Данный уровень типичен для пользователей, которые могут преодолевать большинство естественных препятствий, а также имеющих дополнительные потребности при использовании протеза не только для простого перемещения, но например, при ведении профессиональной деятельности, прохождении лечебно-профилактических процедур или занятий любительским спортом.

Уровень Двигательной Активности 4

Пользователь обладает способностью или имеет достаточный потенциал для перемещения на протезе вне помещения, превышающий базовые типы перемещений, и сталкивающийся с повышенными вертикальными ударными воздействиями, связанными с высокой нагрузкой на протез при ходьбе. Данный уровень типичен для детей, активных взрослых или спортивных пользователей.

Клинические Преимущества

- Активация под воздействием веса пользователя в процессе фазы опоры и настраиваемые сопротивления на сгибание и разгибание в процессе фазы переноса обеспечивают свободную, плавную и безопасную походку на данном коленном модуле.
- Микропроцессорное управление фазой переноса позволяет оптимизировать индивидуальные характеристики походки пользователя в широком диапазоне скоростей и темпов ходьбы (только для коленного модуля SmartIP).
- Стабилизирующий механизм обладает упругим действием, которое обеспечивает ограниченное сгибание стопы под нагрузкой для поглощения ударной нагрузки при ударе пяткой.
- Механизм стабилизации обладает упругим действием, которое обеспечивает ограниченное поддрессирование под нагрузкой для поглощения ударной нагрузки при ударе пяткой в процессе ходьбы.

Противопоказания

Устройство может не подходить для:

- Пользователи с серьезной мышечной слабостью, контрактурами, которые невозможно корректно адаптировать к протезной системе, а также проприоцептивной дисфункциональностью, включая и нарушение равновесия.
- Пользователи с нестабильностью или патологией контралатеральных суставов.
- Пользователи со сложными состояниями, включающими различные множественные нарушения.
- Пользователи, включая и пользователей с парной ампутацией на уровне бедра, которым требуется функциональность настройки сопротивления подгибания в колене, например чтобы нормально спускаться по лестнице или сесть на стул. Такие действия пользователя могут привести к повреждению тормозного механизма, что может негативно сказаться на устойчивости и сроке службы устройства.














Перед началом использованием этого устройства все пользователи должны обязательно пройти обучение ходьбе на протезе, с установленным на него устройством.



Убедитесь в том, что пользователь внимательно ознакомился и осознал всю касающуюся его информацию, посвященную технике безопасности и техническому обслуживанию.

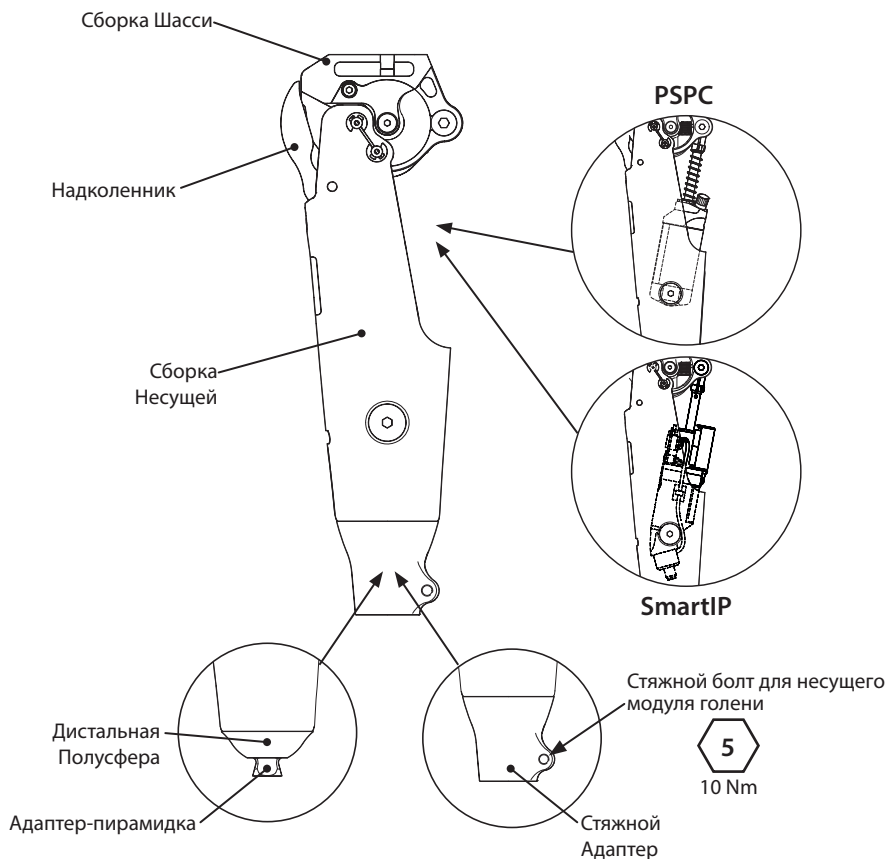
2 Техника Безопасности

-  Данным символом обозначаются наиболее важные правила, которые должны соблюдаться неукоснительно.
-  Всегда помните о потенциальном риске защемления пальцев кисти движущимися частями устройства.
-  Пользователь обязан незамедлительно доложить своему протезисту/врачу о любых ощутимых изменениях в работе или функциональности данного устройства, например, о неустойчивости, двойном срабатывании, ограниченном движении, неплавном перемещении и появлении посторонних шумов.
-  При спуске по ступеням лестницы, а также в любых других случаях, когда это возможно, пользователь всегда должен использовать перила.
-  Любое чрезмерное изменение высоты подъема каблука (например, вследствие изменения типа носимой пользователем обуви, после завершения всех юстировок может отрицательно сказаться на функциональности протезной системы.
-  Убедитесь в том, что ваше транспортное средство оборудовано всем необходимым для вождения. При вождении транспортного средства пользователь обязан неукоснительно соблюдать действующие в стране правила дорожного движения.
-  Следует соблюдать особую осторожность при переносе тяжелых грузов, так как это может негативно повлиять на устойчивость устройства.
-  Пользователь обязан сообщить своему протезисту о любых ощутимых изменениях своего состояния: веса и/или уровня двигательной активности, например при переезде из городской в сельскую местность.
-  Избегайте воздействие на устройство экстремально высоких или экстремально низких температур.
-  К установке, настройке, техническому обслуживанию и ремонту устройства допускается только специально обученный и сертифицированный в учебных центрах Blatchford персонал.
-  Данное устройство не предназначено для длительного погружения в воду и для принятия водных процедур, но подходит для всепогодной эксплуатации. Если устройство подверглось воздействию воды немедленно вытрите его насухо.

3 Конструкция

Составные Части Устройства

- Сборка Несущей Композиционное углеволокна (карбон) & Нержавеющая сталь
- Сборка Шасси Аллюминиевый сплав, Нержавеющая сталь, Термоформуемая пластмасса, Усиленное волокно (не содержит асбест), фрикционные материалы.
- Дистальная Полусфера Аллюминиевый сплав
- Дистальный адаптер-пирамидка Титановый сплав, Болт из нержавеющей стали
- Дистальный стяжной адаптер Аллюминиевый сплав
- Надколенник Термоформуемая пластмасса
- Цилиндр Управления PSPC Аллюминиевый сплав, Нержавеющая сталь, Титановый сплав, Термоформуемая пластмасса
- Цилиндр Управления SmartIP Аллюминиевый сплав, Нержавеющая сталь, Титановый сплав, Термоформуемая пластмасса, Электронные компоненты, Батарея для электропитания



4 Функциональность

Устройство представляет собой моноосную конструкцию, включающую в свой состав коленный шарнир, соединяющий шасси с несущей. Стабилизационный механизм коленного модуля, активируемый под воздействием веса пользователя, размещен внутри шасси. Стабилизационный механизм обладает упругим действием, которое обеспечивает ограниченное подгибание в процессе фазы опоры и обеспечивает амортизацию нагрузки при пяточном ударе.

Цилиндр управления находится внутри сборки несущей, расположенной между задним шарниром шасси и дистальным шарниром несущей.

Пневматический цилиндр управления PSPC оснащен юстировочными регуляторами клапанов, которые настраиваются протезистом вручную, и обеспечивают независимое управление сопротивлением сгибанию и разгибанию во время фазы переноса.

Цилиндр управления SmartIP использует расположенные внутри цилиндра датчики для отслеживания скорости перемещения пользователя и автоматически подстраивает сопротивление на сгибание.

Регулировка разгибанием осуществляется посредством фиксированной юстировки амортизатора терминального удара при разгибании.

5 Техническое Обслуживание

Регулярно производите визуальный осмотр устройства.

При обнаружении ощутимых изменениях в работе устройства, например, посторонние шумы, увеличение жесткости или ограниченное/излишнее вращение, значительный износ или чрезмерное обесцвечивание вследствие длительного воздействия ультрафиолета, пользователь обязан немедленно сообщить об этом своему протезисту.

Сообщите своему протезисту о любых значимых изменениях в массе тела и/или уровне двигательной активности (например, при переезде на постоянное место жительства из городской в сельскую местность).

Очистка от Загрязнений

Для очистки внешней поверхности устройства используйте влажную не ворсистую ткань и детское мыло. НЕ ИСПОЛЬЗУЙТЕ агрессивные моющие средства.

Последующие инструкции данного раздела предназначены только для протезиста.

К техническому обслуживанию устройства допускается только персонал, прошедший обучение в учебных центрах Blatchford и имеющий соответствующий сертификат (протезист или врач).

Для поддержания оптимальной работы рекомендуется периодически проверять устройство на наличие посторонних шумов, излишнего люфта и ухудшении устойчивости. Период между проверками определяется такими факторами, как двигательная активность пользователя, частота использования протеза и настройки устойчивости коленного модуля.

В качестве примера и рекомендации: если настройка составляет 6 щелчков или больше, а пользователь в среднем делает 600 000 шагов в год, рекомендуется ежегодно проводить технический осмотр.

Если настройка устойчивости составляет менее 6 щелчков и/или пользователь проходит в среднем меньше количества шагов, период между техническим осмотрами может быть увеличен.

Для определения количества шагов рекомендуется использовать монитор двигательной активности LAM (Limb Activity Monitor).

Мы рекомендуем настраивать коленный модуль в соответствии с индивидуальными особенностями пользователя для обеспечения оптимальных устойчивости и продления срока службы устройства.

Смотрите руководство по юстировке/диаграмму.

При техническом осмотре:

- Проверьте устройство на предмет обнаружения дефектов способных отрицательно отразиться на его функциональности.
- Проверьте состояние переднего ограничителя, при необходимости замените его.
- Проверьте состояние ограничителей голени, при необходимости замените их.
- Разберите, очистите от загрязнений и повторно соберите коленный механизм стабилизации.

Пользователь должен быть предупрежден о необходимости проведения регулярного визуального осмотра устройства на предмет обнаружения любых изменений в работе данного устройства, а при обнаружении таковых немедленно сообщить своему протезисту. Изменения в работе данного устройства могут включать в себя: увеличение или снижение жесткости коленного модуля, неустойчивость, снижение опоры коленного модуля (свободное движение), любые посторонние шумы.

Хранение и Транспортировка

При длительном хранении устройства, его следует хранить в сухом месте при температуре от -15 °C до +50 °C (от 5 °F до 122 °F). При этом используйте заводскую упаковку устройства.

6 Ограничения при Эксплуатации

Срок службы:

Необходимо провести индивидуальную оценку рисков на основании двигательной активности пользователя и ожидаемых условий эксплуатации устройства.

Подъем Тяжестей

Ограничения зависят от веса пользователя и его уровня двигательной активности.

При переносе тяжестей пользователем должна быть учтена локальная оценка степени риска.

Условия Эксплуатации

Не подвергайте устройство воздействию агрессивных элементов, например, таких как вода, кислоты и прочие жидкости. Также избегайте эксплуатации устройства в абразивных средах, например, содержащих песок, поскольку это может привести к преждевременному износу изделия.

Устройство допускается эксплуатироваться только в температурном диапазоне от -15 °C до +50 °C (от 5 °F до 122 °F).



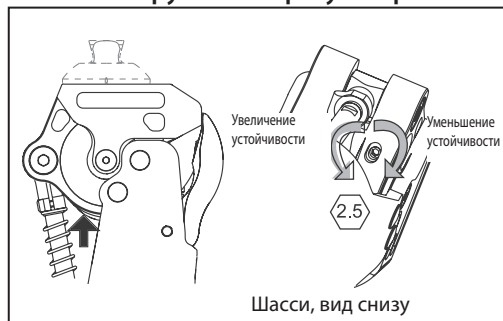
Влаго-, грязе-,
пылезащищенное изделие

7 Статическая юстировка

Последующие инструкции данного раздела предназначены только для протезиста.

Пробная ходьба

Пружинный регулятор



Для доступа к пружинному регулятору необходимо полностью разогнуть протез в колене.

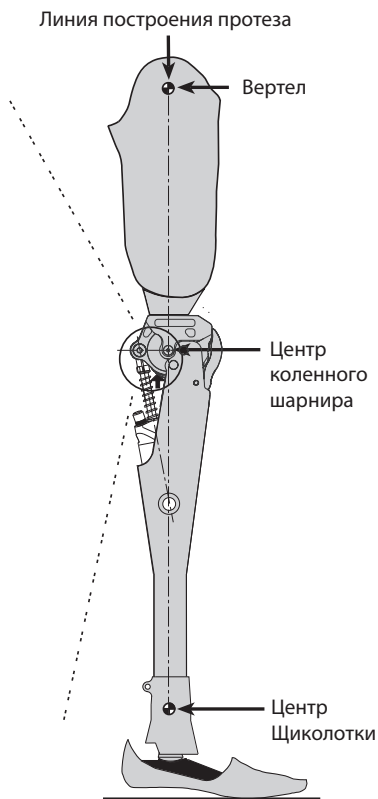
Поверните юстировочный винт пружинного регулятора для достижения требуемой для конкретного пользователя устойчивости.

Замечание: В процессе юстировки, при повороте ключа будут раздаваться слышимые щелчки, после каждого щелчка регулятор автоматически фиксируется.

Затяните пружинный регулятор для уменьшения устойчивости.

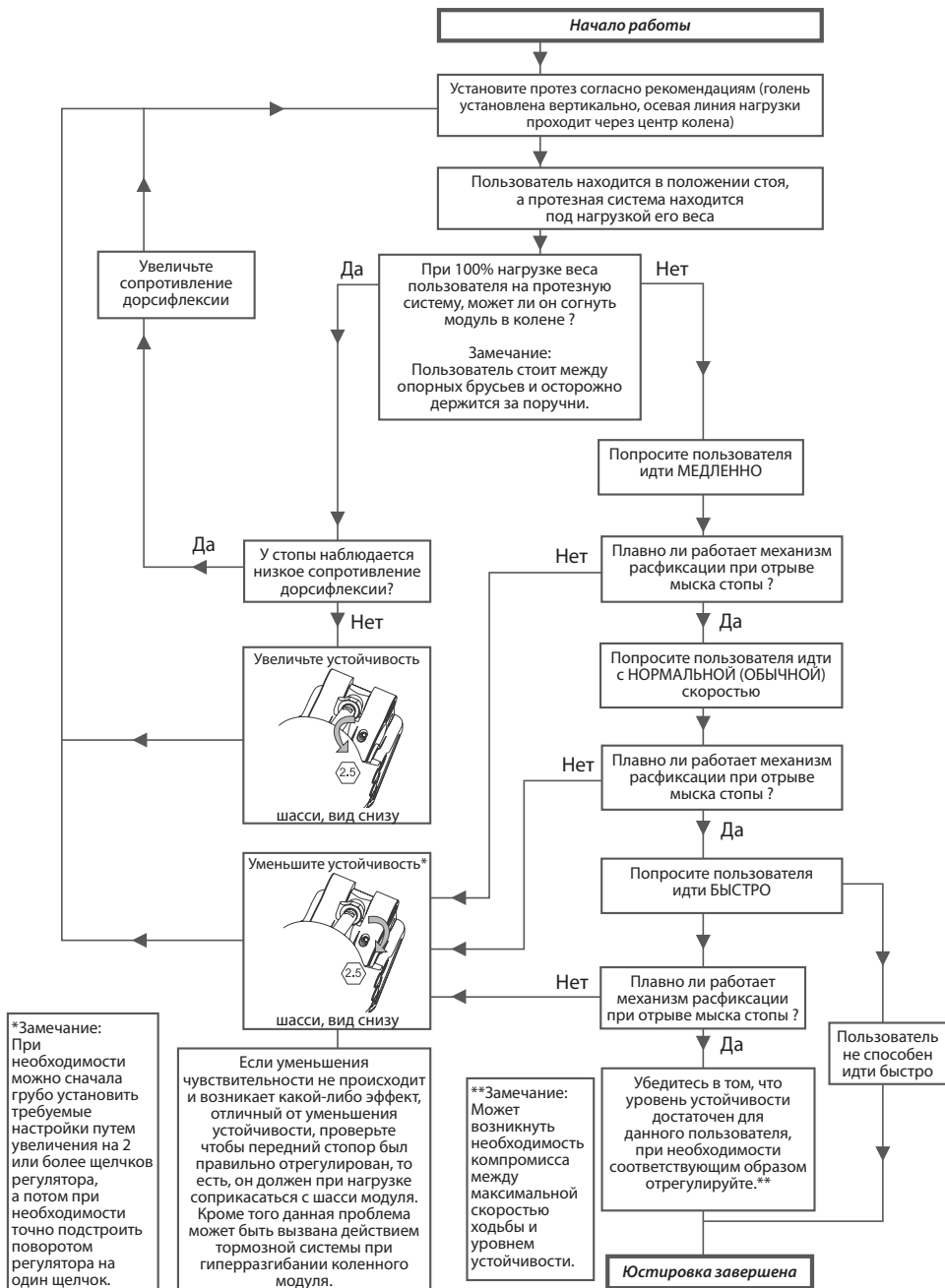
Ослабьте пружинный регулятор для увеличения устойчивости, см. рис., приведенный выше.

При необходимости можно вернуться к заводским установкам. Для этого следует уменьшить устойчивость на шесть щелчков от максимального значения.



8 Рекомендации по юстировке и настройке устойчивости

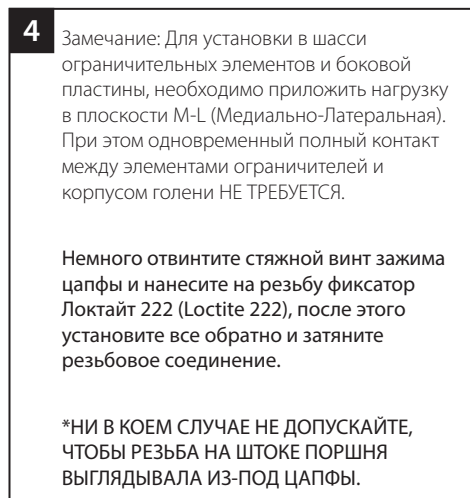
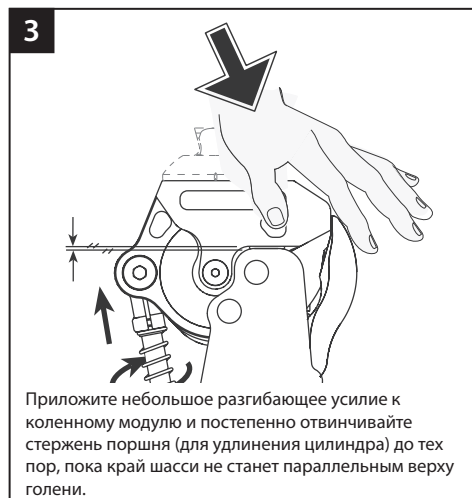
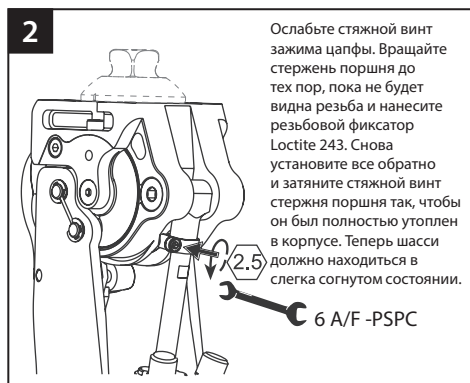
Последующие инструкции данного раздела предназначены только для протезиста.



9 Юстировка переднего ограничителя - Юстировка Цапфы

Последующие инструкции данного раздела предназначены только для протезиста.

Установка пневматического цилиндра управления PSPC



Юстировка переднего ограничителя - для систем управления Интеллектуального Протеза SAMRTIP с нерегулируемой цапфой

(Устанавливался на устаревшие модели SmartIP.)

При использовании подобных цилиндров юстировка не требуется. Такие модели требуют полного затягивания переднего ограничителя так, как показано на Этапе 1.

Для юстировки устройств управления фазой переноса см. соответствующие инструкции IFU.

9.1 Прочие юстировки

Последующие инструкции данного раздела предназначены только для протезиста.

| Симптомы | Решение Проблемы |
|---|--|
| Коленный модуль неустойчив | Увеличьте чувствительность |
| | Сдвиньте гильзу протеза немного вперед |
| | При разрушении рабочей части тормозного барабана замените механизм стабилизации |
| Коленный модуль не разблокируется | Уменьшите чувствительность |
| | Проверьте корректность юстировки длины штока поршня |
| | Сдвиньте гильзу протеза немного назад |
| Замковый механизм коленного модуля не срабатывает | При использовании косметической облицовки, убедитесь, что срабатывание замкового механизма ничем не затрудняется/ограничивается. |
| Люфт / Рывки замкового механизма | Проверьте юстировку штока поршня |
| Пятка поднимается слишком высоко во время фазы переноса | См. документацию на цилиндр управления PSPC IFU |
| Пятка поднимается слишком низко во время фазы переноса | См. документацию на цилиндр управления PSPC IFU |
| Пользователь испытывает терминальный удар при разгибании в колене | См. документацию на цилиндр управления PSPC IFU |
| Устройство полностью не разгибается в колене во время фазы переноса | См. документацию на цилиндр управления PSPC IFU |

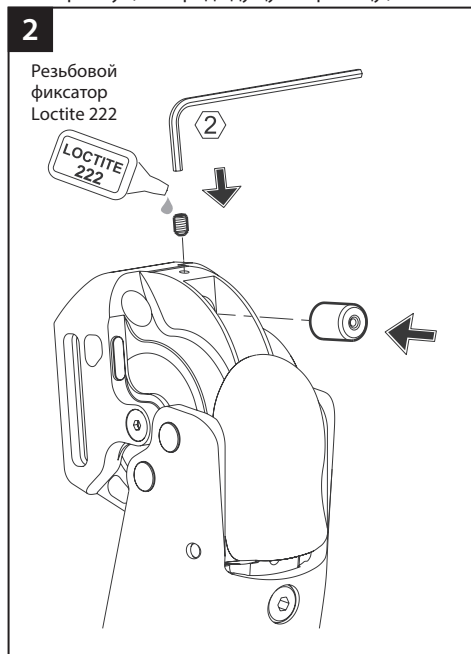
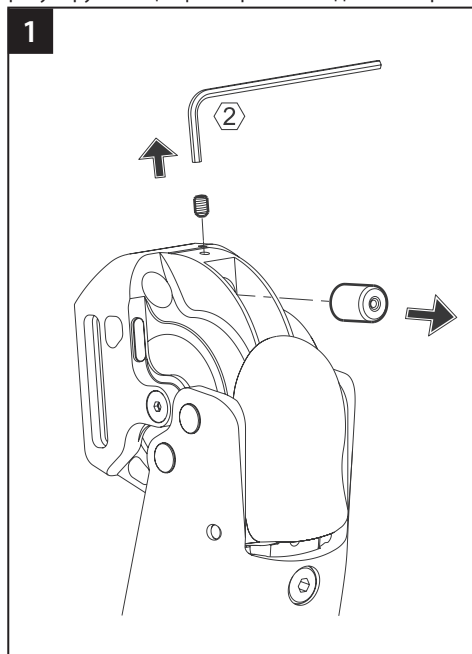
Если после выполнения этих инструкций у вас по прежнему остались проблемы с функциональностью устройства, пожалуйста, обратитесь за консультацией к вашему поставщику или местному представителю Blatchford.

10 Сборочные Инструкции

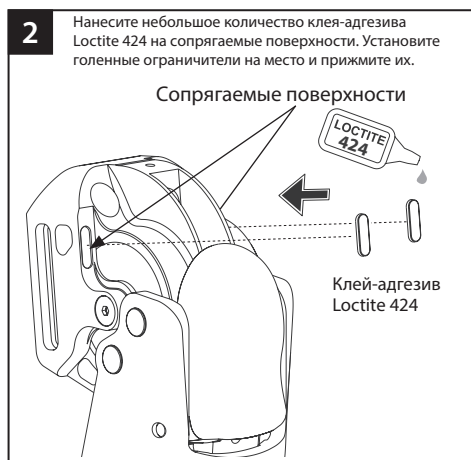
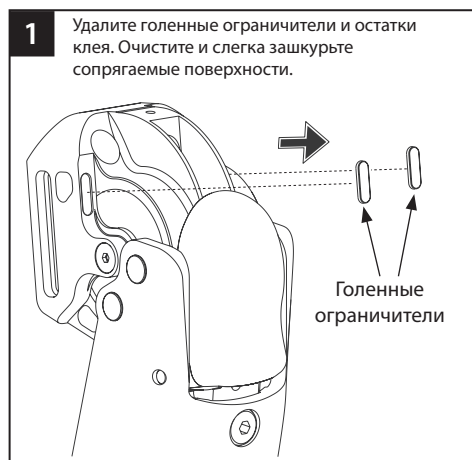
Последующие инструкции данного раздела предназначены только для протезиста.

10.1 Замена переднего ограничителя-амортизатора

При установке нового переднего ограничителя требуется проведение повторной юстировки, а при необходимости и корректировка длины цилиндра, в случае если управляющий цилиндр оснащен регулируемой цапфой. При необходимости проведите юстировку. (См. предыдущую страницу.)

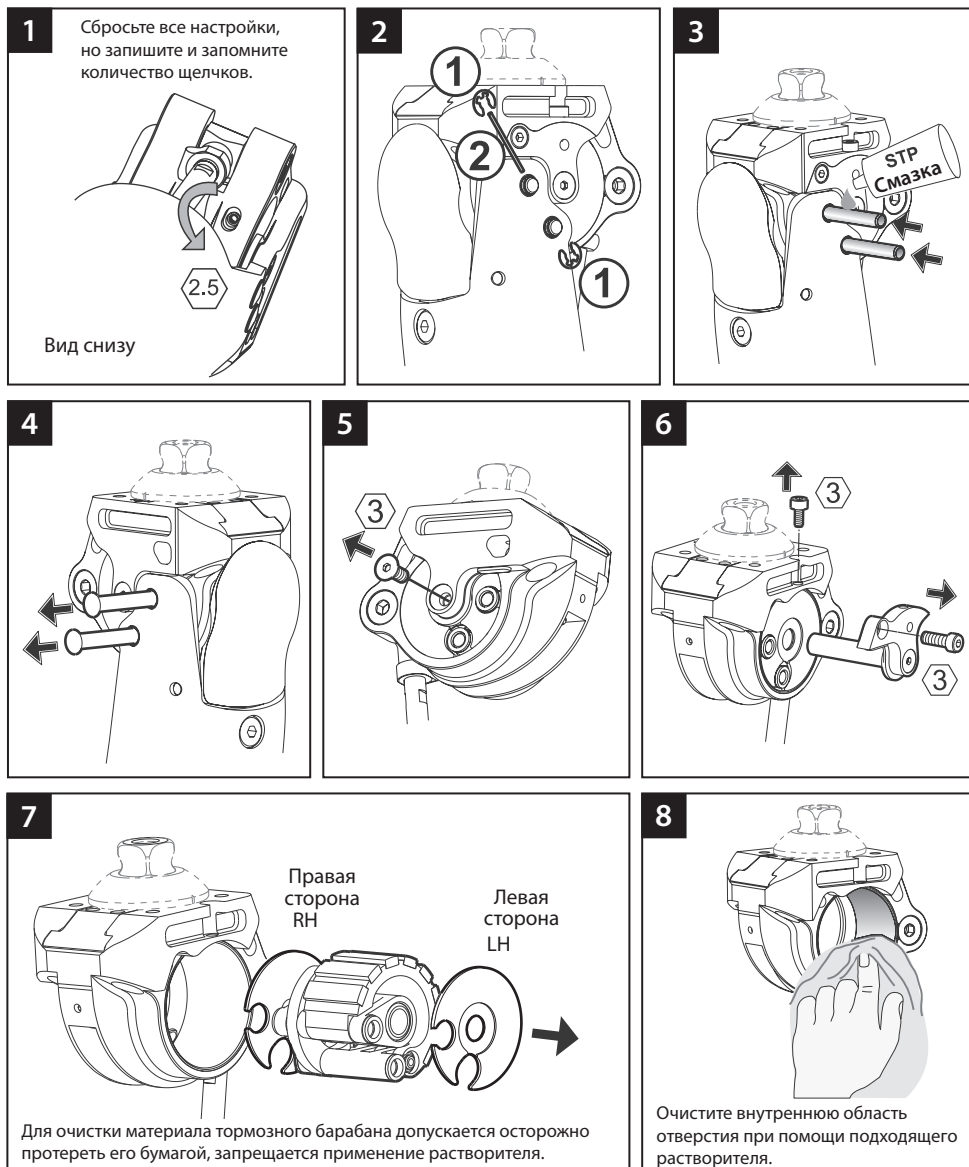


10.2 Замена голенных ограничителей



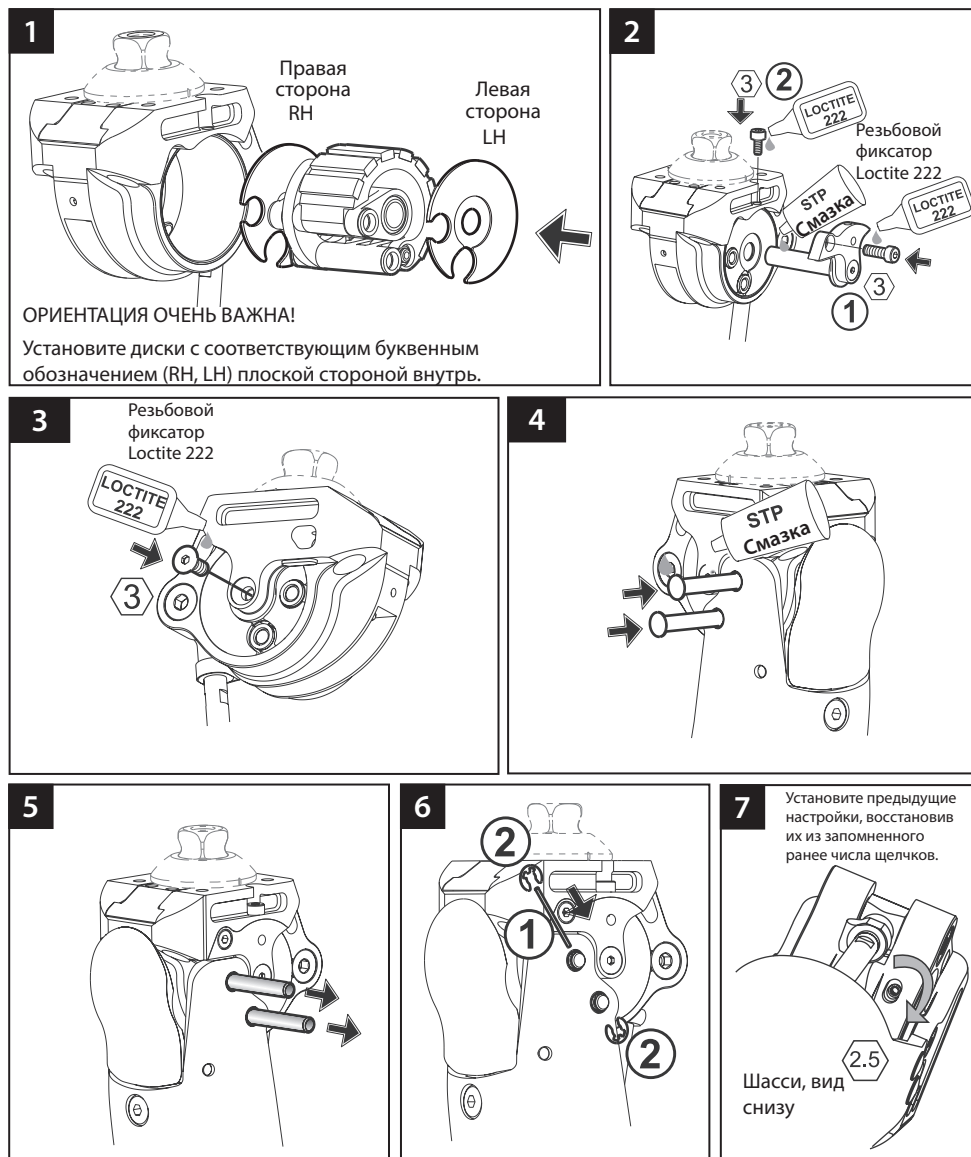
10.3 Демонтаж Механизма ESK+

Последующие инструкции данного раздела предназначены только для протезиста.



10.4 Замена Механизма ESK+

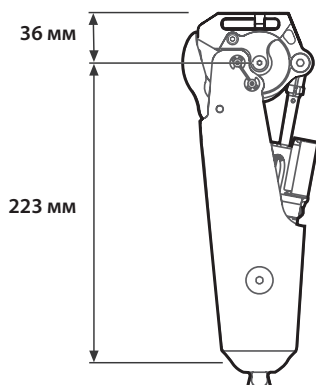
Последующие инструкции данного раздела предназначены только для протезиста.



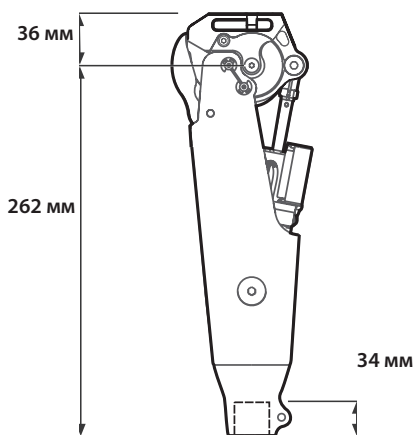
11 Спецификация

| | |
|---|---|
| Температурный Диапазон | от -15 °C до +50 °C |
| Хранения и Эксплуатации: | (от 5° F до 122 °F) |
| Вес изделия: | |
| SmartIP | 1.27 кг (2 фунта 9 унций) |
| PSPC | 1.13 кг (2 фунта 8 унций) |
| Уровень Двигательной Активности: | 2-3 (4) |
| Максимальный Вес Пользователя: | |
| для Уровней Двигательной Активности 2-3 | 125 кг (275 фунта) |
| для Уровня Двигательной Активности 4 | 100 кг (220 фунта 7.4 унций) |
| Максимальный Угол Сгибания в Колене: | 140° |
| Проксимальная юстировка/крепление: | Крепление под 4-болта или «Т»-образный паз |
| Дистальная юстировка/крепление: | Стяжной адаптер под несущий модуль голени диаметром 30мм или Адаптер0пирамидка (Blatchford) |
| Высота Конструкции: | См. приведенную ниже диаграмму |

Сборочные Размеры



ESK+ с креплением под 4-Болта с дистальным адаптером-пирамидкой



ESK+ с креплением под 4-Болта с дистальным стяжным адаптером под несущий модуль голени диаметром 30мм

12 Информация для Заказа

Пример заказа

| | Коленный модуль ESK+ с креплением под 4-Болта | | | | | | | |
|--|---|-------------------------------------|--|------------------------------------|-----------------------------------|-------------------------------------|--|------------------------------|
| | с дистальным стяжным адаптером под несущий модуль голени диаметром 30мм | | | | с дистальным адаптером-пирамидкой | | | |
| Пневматический цилиндр управления PSPC | ESK | 4B | P | 30 | ESK | 4B | P | PYR |
| | ESK+ | Проксимальное крепление под 4-болта | Пневматический цилиндр управления (PSPC) | Дистальный стяжной адаптер, Ø 30мм | ESK+ | Проксимальное крепление под 4-болта | Пневматический цилиндр управления (PSPC) | Дистальный адаптер-пирамидка |
| Коленный модуль SMARTIP | SMARTIP | 4B | 30 | | SMARTIP | 4B | PYR | |
| | SmartIP | Проксимальное крепление под 4-болта | Дистальный стяжной адаптер, Ø 30мм | | SmartIP Knee | Проксимальное крепление под 4-болта | Дистальный адаптер-пирамидка | |
| Без установленного цилиндра управления | ESK | 4B | 30 | | ESK | 4B | PYR | |
| | ESK+ | Проксимальное крепление под 4-болта | Дистальный стяжной адаптер, Ø 30мм | | ESK+ | Проксимальное крепление под 4-болта | Дистальный адаптер-пирамидка | |

Запасные Части

| Наименование | Шифр |
|--|--------|
| Сборка коленного модуля ESK+ с креплением под 4-Болта | 239150 |
| Юстировочный стержень (пин) для механизма коленного модуля ESK | 234914 |
| Передний ограничитель | 234903 |
| Комплект механизма стабилизации для коленного модуля ESK+ | 239949 |

Ответственность

Изготовитель рекомендует использовать данное устройство только в указанных условиях и предусмотренных целях. Обслуживание устройства должно проводиться согласно прилагаемой к устройству инструкции по эксплуатации. Производитель не несет ответственности за ущерб, вызванный применением комбинацией компонентов, не разрешенной изготовителем.

Соответствие Стандартам Евросоюза CE

Данное изделие соответствует требованиям Евростандарта EU 2017/745 для медицинских изделий. Данное изделие относится к категории устройств класса I в соответствии с критериями классификации, изложенными в Приложении VIII данного Стандарта. Сертификат соответствия стандартам Евросоюза можно получить на сайте компании: www.blatchford.co.uk



Медицинское
устройство



Индивидуальное многократное
использование

Совместимость

Допускаются комбинации изделий производства компании Blatchford на основании тестирования по соответствующим стандартам, в том числе и стандартам на медицинские устройства (MDR), включая структурные испытания, совместимость размеров и другие контролируемые эксплуатационные характеристики.

Комбинация с альтернативными изделиями, имеющими маркировку соответствия стандартам Евросоюза CE, должна производиться с учетом оценки локальной степени риска, проводимой компетентным специалистом.

Гарантийные Обязательства

Гарантия на данное устройство составляет 24 месяца, на тормозной барабан 12 месяцев.

Пользователь должен быть предупрежден о том, что любые изменения в конструкции изделия или его модификация, не согласованные с изготовителем, аннулируют гарантию.

Для получения подробной информации о гарантии, пожалуйста, обратитесь к сайту компании Blatchford.

Побочные Эффекты и Инциденты

Возникновение побочных эффектов и серьезных инцидентов, связанного с данным устройством, маловероятно, тем не менее, в случае возникновения таковых, следует сообщить об этом производителю и представителю Blatchford в вашем регионе.

Экологические Аспекты

Данное устройство содержит гидравлическое масло, а также металлические и пластмассовые компоненты. По возможности утилизируйте устройство, в соответствии с правилами местного законодательства по утилизации и обращению с отходами.

Сохранение Этикетки на Упаковке

Протезисту рекомендуется сохранять этикетку на упаковке, поскольку она содержит необходимые данные о поставляемом устройстве.

Зарегистрированный Адрес Производителя

Blatchford Products Limited, Lister Road, Basingstoke RG22 4AH, UK.

Торговые Марки

Blatchford является зарегистрированной торговой маркой компании Blatchford Products Limited.

| | |
|----------------------|-----|
| 目录..... | 104 |
| 1 说明及设计用途..... | 105 |
| 2 安全须知..... | 107 |
| 3 构造..... | 108 |
| 4 功能..... | 109 |
| 5 维护..... | 109 |
| 6 使用限制..... | 110 |
| 7 静态对线..... | 111 |
| 8 对线建议与稳定性调节..... | 112 |
| 9 前挡块调整 - 可调式耳轴..... | 113 |
| 9.1 进一步调整..... | 114 |
| 10 装配说明..... | 115 |
| 10.1 更换前挡块缓冲器..... | 115 |
| 10.2 更换连接管挡块..... | 115 |
| 10.3 卸下 ESK+ 装置..... | 116 |
| 10.4 更换 ESK+ 装置..... | 117 |
| 11 技术数据..... | 118 |
| 12 订购须知..... | 119 |

1 说明及设计用途

本使用说明供假肢技师和用户使用，除非另有说明。

在本使用说明中频繁出现的“装置”一词用于指代 4 螺栓 ESK+ 产品。

请确保您阅读并充分理解使用说明的所有内容，尤其是安全须知和维护部分。

用途

本装置仅作为下肢假肢的一部分使用。

本装置仅供单人使用。

这是一种为重量激活型增稳膝关节提供单轴框架的膝关节装置，它可在各种地形上以不同步频为假肢提供支撑，旨在增强安全性并减少安全事故赔偿率。

连接管可配备 PSPC (气动摆动期控制) 或 SmartIP (智能假肢) 功能，也可以不带缸体发货。

该装置近端可选择 4 螺栓式或 T 型槽接口，末端可选择阳方锥或 30 毫米管夹接口。

功能及特性

| | 以手动方式调节的 PSPC | 由微处理器控制的 SmartIP |
|---|------------------|---------------------|
| 承重期间的支撑屈曲 | ✓ | ✓ |
| 坚固碳纤维框架 | ✓ | ✓ |
| 140 度膝关节屈曲 | ✓ | ✓ |
| 膝关节稳定性灵敏度可调节 | ✓ | ✓ |
| 以手动方式调节的独立摆动控制装置， 用于实现屈曲和伸展 | ✓ | |
| 屈曲状态下使用由微处理器控制的摆动控制功能，伸展状态下使用以手动方式调节的末期撞击阻尼功能 | | ✓ |

活动等级

本装置供 2、3 和 4 级活动等级的用户使用(有体重限制,详见“技术数据”一节)。本装置可能不适合 1 级活动等级的人士或竞技类体育活动参与者。此类用户更适合使用经过专门设计,能够满足其特殊需求的假肢。

1 级活动等级

具有用假肢以固定步频在水平面上活动或行走的能力或潜力。通常为受限或不受限活动者。

2 级活动等级

具有行走的能力或潜力,能够跨越低矮的环境障碍物,如路缘石、台阶或不平坦表面。通常为社区活动者。

3 级活动等级

具备以不同步频行走的能力或潜力。能够跨越大多数环境障碍物,可能需要在假肢的辅助下从事简单活动以外的职业、治疗或锻炼类活动,通常为社区活动者。

4 级活动等级

具有用假肢行走的能力或潜力,行走技能超过基础水平,表现出高冲击力、应力或能量等级。通常为有假肢需求的儿童、活跃型成年人或运动员。

临床优势

- 通过体重激活的支撑控制功能和可调节摆动控制功能可实现流畅、安全的步态,提高膝关节的自由度。
- 微处理器摆动控制功能可优化各种行走速度下的步态特征。(仅 SmartIP。)
- 增稳装置具有回弹性,可在承重时提供有限的支撑屈曲,以吸收后跟触地时的冲击负荷。

不适用

本装置不适合以下类型的用户:

- 肌肉极度无力、肌肉挛缩且无法正常适应,或本体感觉功能障碍,包括平衡能力差。
- 对侧关节不稳定或为病态。
- 情况复杂,涉及多重残疾。
- 需要膝关节提供屈曲功能方可下台阶或坐下的用户,包括双侧大腿截肢用户。这可能会导致制动装置损坏,从而对稳定性和耐久性造成不利影响。



用户在使用本装置之前必须接受步态训练。





请确保用户理解使用说明的所有内容,尤其需要注意与维护及安全须知有关的部分。


2 安全须知


 该警告标志用于强调重要安全信息。


 始终注意手指安全。


 假肢的性能或功能若有任何变化,如状态不稳定、联动、活动受限、动作不顺畅或出现异响,都应立即报知服务提供商。


 下台阶时以及任何其他时间都应始终握好扶手(若有)。


 对线完成后发生的任何过度的后跟高度变化都可能对假肢的功能产生不利影响。


 用户只能驾驶经过适当改装的机动车。操作机动车辆时,所有人员必须遵守各自适用的驾驶法规。

 搬运重物时应当小心,因为这可能会对本装置的稳定性产生不利影响。

 建议用户在身体状况出现变化时及时联系执业医师。

 避免暴露于极端高温和/或寒冷环境中。

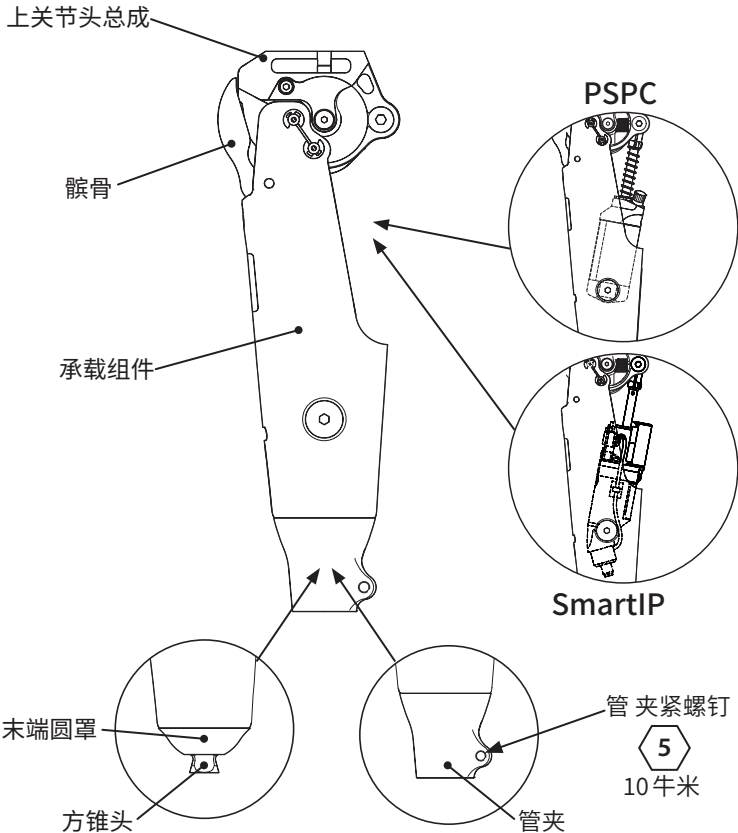
 本装置的组装、维护和修理只能由具备适当资质的假肢技师来进行。

 本装置并不适合浸水或淋浴时使用。假肢与水发生接触时应立即擦干。

3 构造

主要部件

- 龙骨总成 碳纤维复合材料和不锈钢
- 上关节头总成 铝合金、不锈钢、工程用热塑性材料、纤维增强型(无石棉)摩擦材料。
- 末端圆罩 铝合金
- 末端方锥头 钛(带不锈钢螺栓)
- 末端管夹 铝合金
- 骸骨 工程用热塑性材料
- PSPC 铝合金、不锈钢、钛、工程用热塑性材料
- SmartIP 控制缸 铝合金、不锈钢、钛、工程用热塑性材料
电子部件, 电池



4 功能

该膝关节采用单轴设计，上关节头通过膝关节枢轴与总成相连。上关节头内有一个由体重激活的增稳型膝关节装置。增稳装置具有回弹性，可在承重时提供有限的支撑屈曲，以吸收后跟触地时的冲击负荷。

该框架总成内有一个膝关节控制缸，安装在上关节头后枢轴和龙骨末端枢轴之间。

PSPC 缸体具有手动调节阀，可在摆动期内提供独立的屈曲和伸展阻力控制。

SmartIP 控制缸使用缸体内的传感器监测行走速度，并自动对屈曲阻力进行相应的调节。延伸控制是通过末期冲击阻尼装置的固定调节来实现的。

5 维护

定期对本装置进行目视检查。

本装置的性能若有任何变化，如异响、硬度增加或旋转受限/过度、长时间暴露于紫外线环境所导致的严重磨损或褪色，都应报知假肢技师/服务提供商。

体重和/或活动等级发生任何变化时，都应报知假肢技师/服务提供商。

清洁

用湿布与温性肥皂清洁外表面。不得使用腐蚀性清洁剂。

本节其余内容仅供假肢技师使用。

维护操作只能由合格人员（假肢技师或经过专业培训的技术人员）进行。

为保持最佳性能，建议定期检查是否存在不可接受的噪音、间隙和稳定性问题。检查间隔由用户活动、使用频率和膝关节稳定性设置等因素决定。

作为指导：如果设置为 6 次咔嗒声或更多，且用户平均每年走 60 万步，则建议每年进行一次检查。

如果稳定性设置小于 6 次咔嗒声且/或用户的平均步数少于预期平均步数，检查间隔则可延长。

建议使用假肢活动监测器来确定步数。

我们建议根据用户个人的稳定性要求来调整膝关节，以确保最佳的稳定性和耐久性。参见调整指南/流程图。

在执行上述检查时：

- 检查是否存在可能影响正常功能的肉眼可见缺陷。
- 检查前挡块，必要时更换。
- 检查连接管挡块，必要时更换。
- 拆解、清洁并重新装配。

应建议用户定期对本装置进行目视检查,如发现性能上的任何变化,应报知服务假肢技师。性能变化可能包括:膝关节硬度增加或减少、不稳定、膝关节支撑水平(自由活动)下降、任何异响。

储存和搬运

长时间存放本装置时,应使其保持干燥,环境温度应在 -15°C 至 50°C 之间。使用随附的产品包装。

6 使用限制

预期使用寿命:

应根据活动和使用情况进行局部风险评估。

负重

用户的体重和活动应遵守所述限制。

用户应根据局部风险评估结果进行负重。

环境:

避免将本装置暴露于腐蚀性元素中,如水、酸和其他液体。此外,还应避免磨蚀性环境,例如含砂的环境,否则可能导致过早磨损。

仅限在 -15°C 至 50°C 范围内使用。



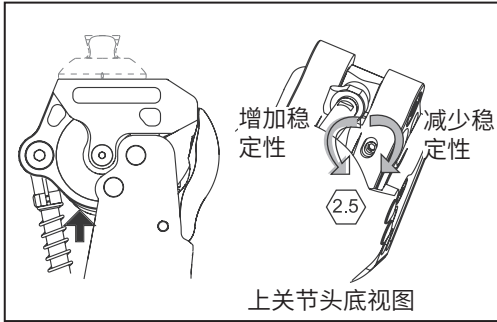
适合户外使用

7 静态对线

本节内容仅供假肢技师使用。

行走试验

弹簧调节器



完全伸展假肢以使用调节器。

旋转弹簧调节器, 达到用户个人所需的稳定性。

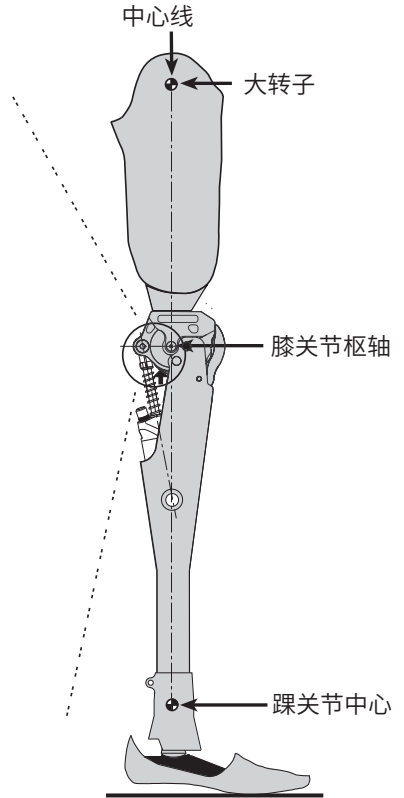
注意... 调节完时应能听到咔嗒声, 调节器采用自锁设计。

拧紧弹簧以减少稳定性。

释放弹簧以增加稳定性 - 见上文。

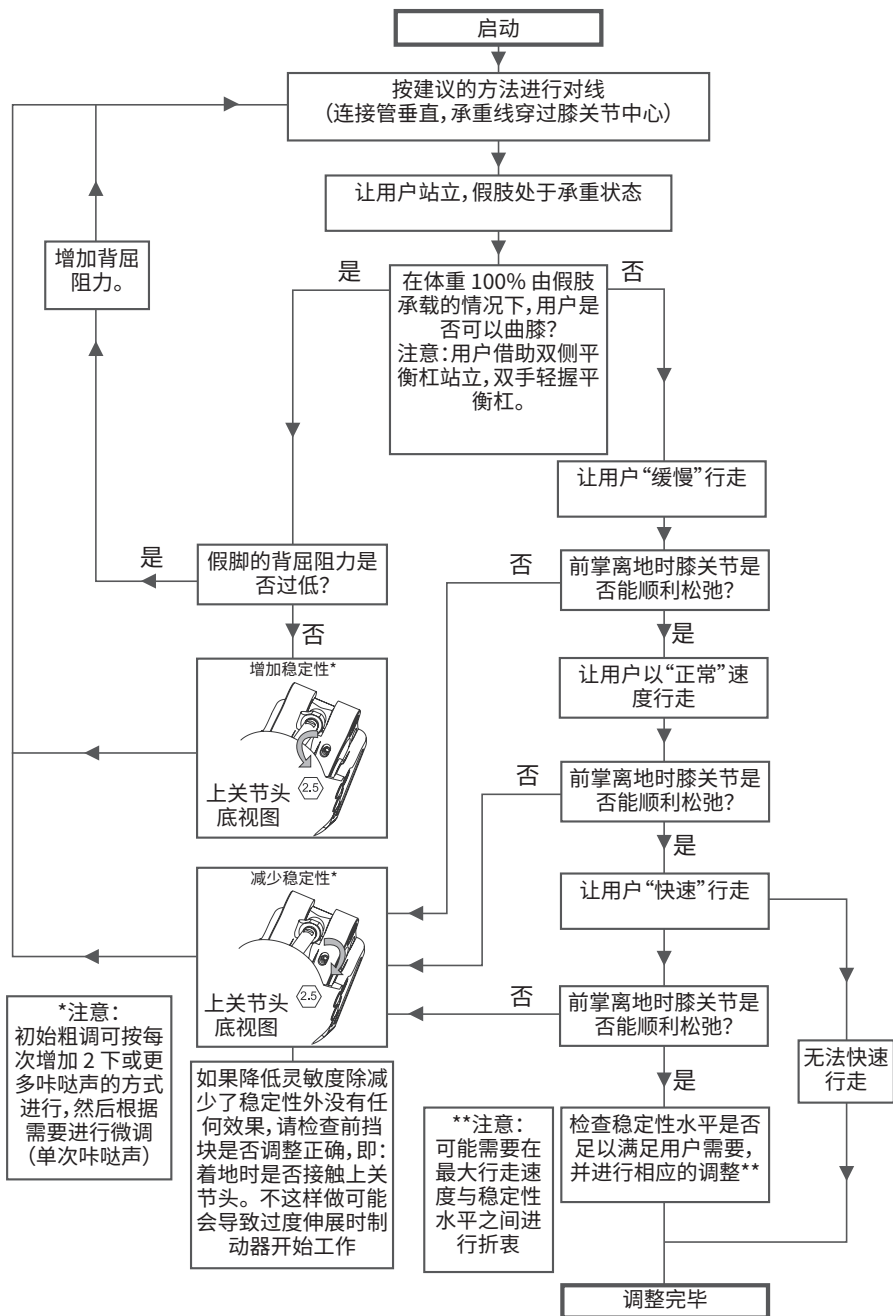
如有必要, 可将调节器重置为出厂设置。

重置方法: 从最大稳定性设置开始减少稳定性, 听到 6 下咔嗒声即可。



8 对线建议与稳定性调节

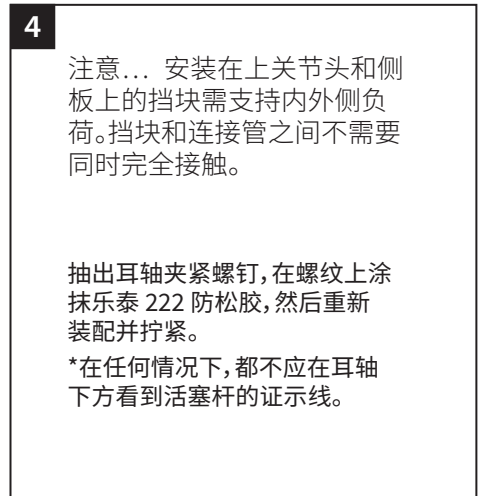
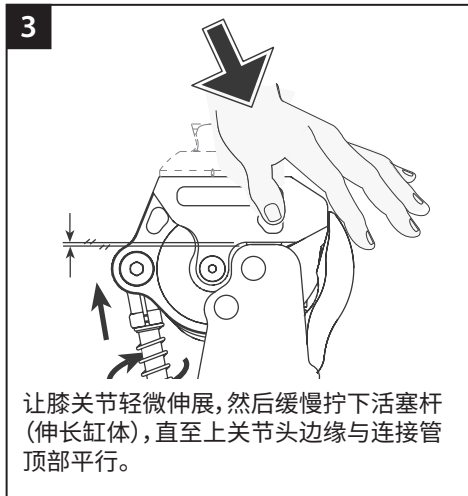
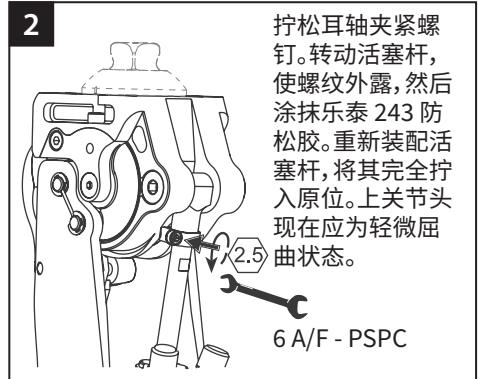
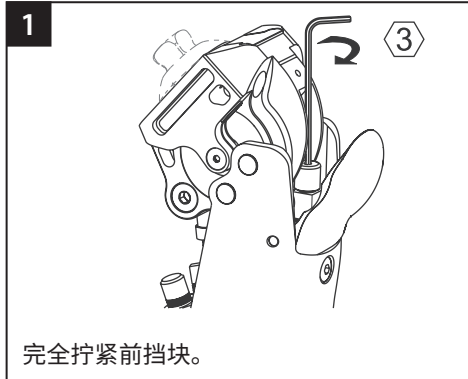
本节内容仅供假肢技师使用。



9 前挡块调整 - 可调式耳轴

本节内容仅供假肢技师使用。

安装在 PSPC 上



前挡块调整 - 不可调式智能假肢

(与老款 SmartIP 型号的配置相同。)

使用这些缸体时无需调整。需将前挡块完全拧紧，如第 1 步所示。

与调整摆动控制装置相关的信息见相应的使用说明。

9.1 进一步调整

本节内容仅供假肢技师使用。

| 表现 | 解决方法 |
|----------------|----------------------|
| 膝关节不稳定 | 增加灵敏度 |
| | 将接受腔向前平移 |
| | 如果制动器后缘有损伤, 则应更换增稳装置 |
| 膝关节不松弛 | 减少灵敏度 |
| | 检查活塞杆长度是否调整正确 |
| | 将接受腔向后平移 |
| 摆动过程中后跟抬升过高 | 参见控制缸使用说明 |
| 摆动过程中后跟抬升过低 | 参见控制缸使用说明 |
| 用户感觉到了末期撞击。 | 参见控制缸使用说明 |
| 摆动过程中本装置无法完全伸展 | 参见控制缸使用说明 |

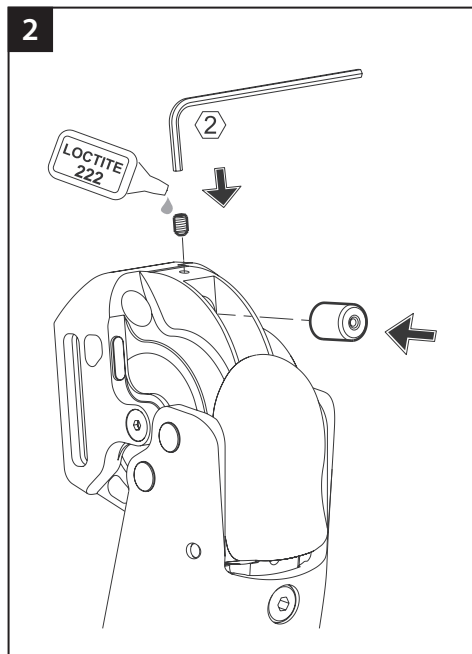
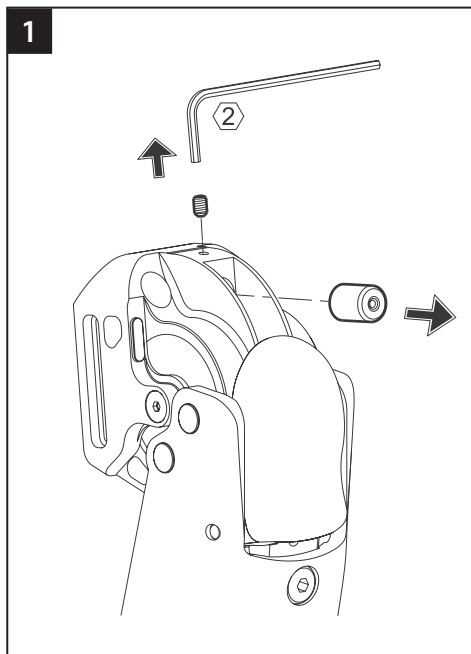
如果在遵循以上说明之后, 您在产品功能方面仍遇到问题, 请咨询您所在地区的销售团队。

10 装配说明

本节内容仅供假肢技师使用。

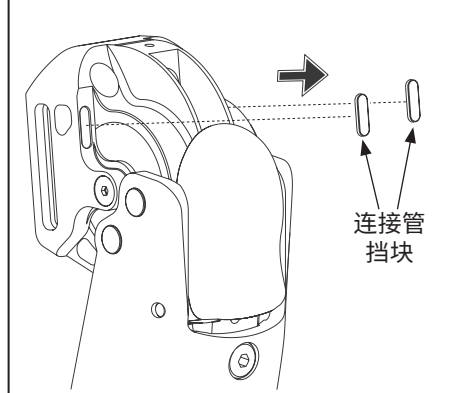
10.1 更换前挡块缓冲器

每次安装新的前挡块时务必重新调整,如果安装了可调式耳轴,可行时应检查缸体长度。必要时进行调整。(参见上一页。)

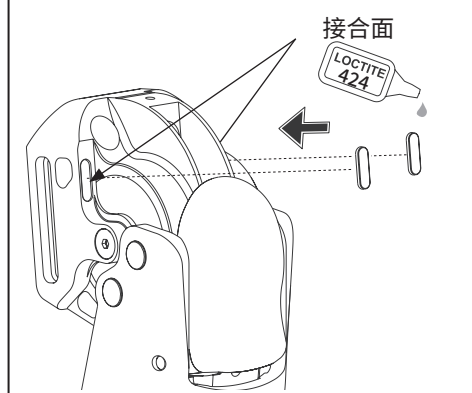


10.2 更换连接管挡块

1 卸下连接管挡块及残余粘合剂。清洁并轻轻打磨接合面。

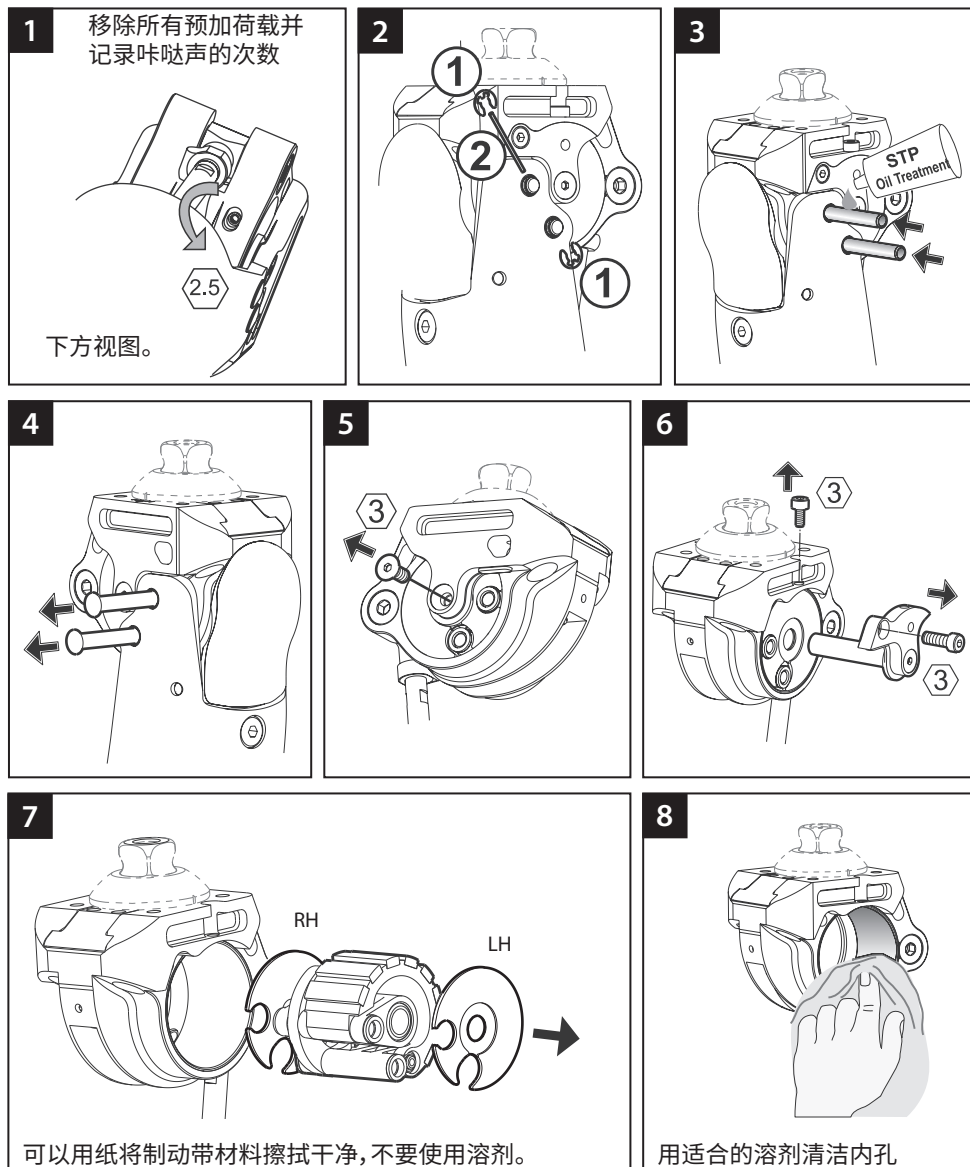


2 给接合面涂抹乐泰 424 防松胶。将连接管挡块按到位。



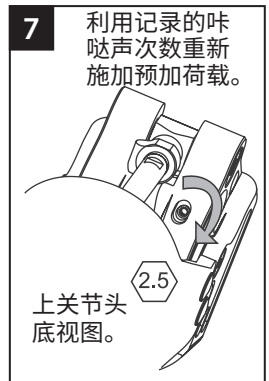
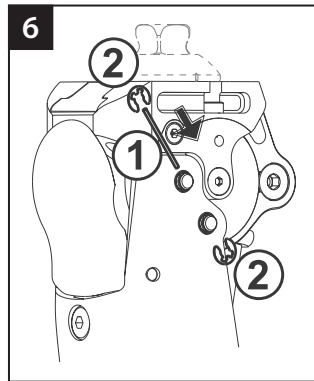
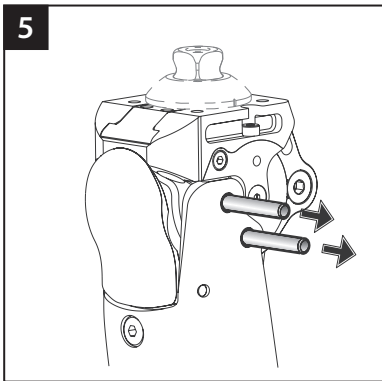
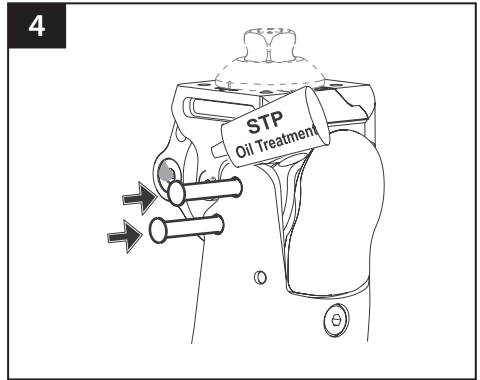
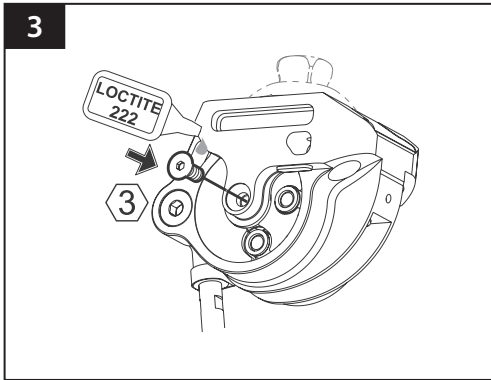
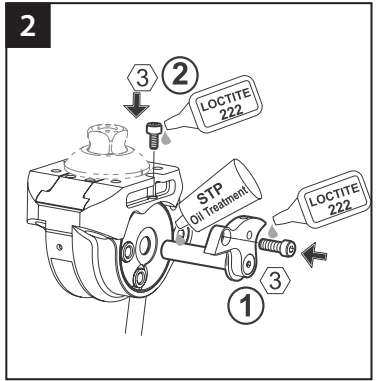
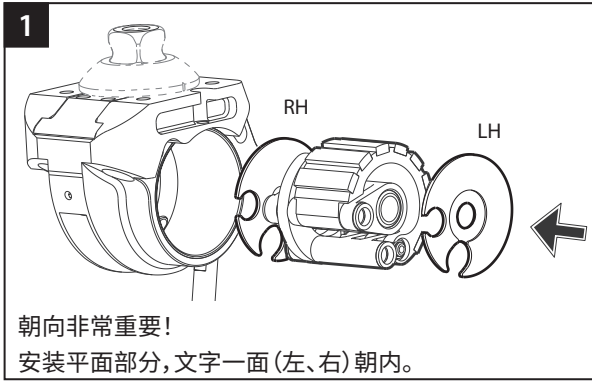
10.3 卸下 ESK+ 装置

本节内容仅供假肢技师使用。



10.4 更换 ESK+ 装置

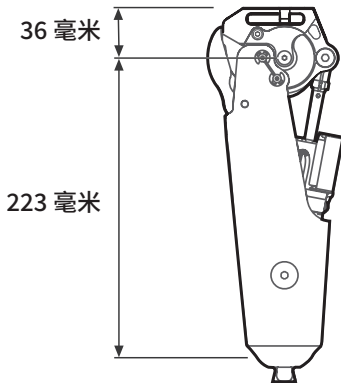
本节内容仅供假肢技师使用。



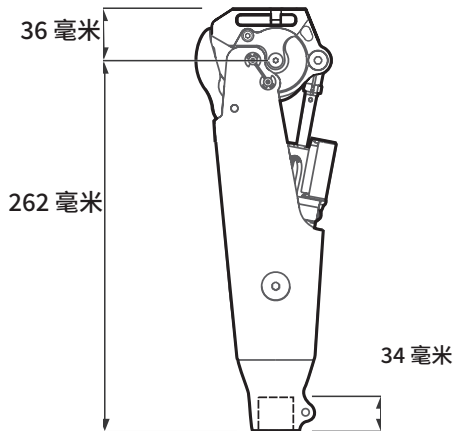
11 技术数据

| | |
|------------|------------------------------|
| 使用和存放温度范围: | -15 °C 至 50 °C |
| 部件重量: | |
| SmartIP | 1.27 千克 |
| PSPC | 1.13 千克 |
| 活动等级: | 2-3 (4) |
| 用户体重上限: | |
| 2-3 级活动等级 | 125 千克 |
| 4 级活动等级 | 100 千克 |
| 最大屈曲角度: | 140° |
| 近端对线附件: | 4 螺栓或 T 型槽 |
| 末端对线连接: | 30 毫米管夹 或阳方锥 (Blatchford) |
| 结构高度: | 见下图。 |

安装高度



ESK+ 4 螺栓
(带末端方锥头)



ESK+ 4 螺栓
(带 30 毫米末端管夹)

12 订购须知

订单示例

| | ESK+ (带 4 螺栓适配器) | | | | | | | |
|-------------|--------------------------------|----|---------|--------------|-------------------------|----|---------|-------|
| | 30 毫米末端管夹 | | | | 末端方锥头 | | | |
| 气动缸 | ESK | 4B | P | 30 | ESK | 4B | P | PYR |
| | ESK+ 4 螺栓适配器 PSPC 末端管夹 (30 毫米) | | | | ESK+ 4 螺栓适配器 PSPC 末端方锥头 | | | |
| SmartIP 膝关节 | SMARTIP | 4B | 30 | | SMARTIP | 4B | PYR | |
| | SmartIP 膝关节 | | 4 螺栓适配器 | 末端管夹 (30 毫米) | SmartIP 膝关节 | | 4 螺栓适配器 | 末端方锥头 |
| 未安装控制缸 | ESK | 4B | 30 | | ESK | 4B | PYR | |
| | ESK+ | | 4 螺栓适配器 | 末端管夹 (30 毫米) | ESK+ | | 4 螺栓适配器 | 末端方锥头 |

替换件

| 商品 | 部件号 |
|-----------------|--------|
| 4 螺栓 ESK+ 膝关节总成 | 239150 |
| ESK 装置对线销 | 234914 |
| 前挡块 | 234903 |
| ESK+ 增稳装置套件 | 239949 |

免责声明

制造商建议只在指定条件下和设计用途范围内使用本装置。本装置必须按照随附的使用说明进行维护。对于因使用未经制造商授权的任何部件组合而造成的任何不良后果，制造商概不负责。

欧盟合规认证

本产品符合欧盟第“2017/745”号医疗器械法规的要求。根据该法规“附录 8”所列分类规则，本产品被归为 I 类医疗器械。查看欧盟《符合性声明》证书请访问下方网址：www.blatchford.co.uk



医疗器械



单人 - 多次使用

兼容性

如需将其他产品与 Blatchford 品牌的产品组合使用，须根据相关标准和医疗器械法规进行测试（包括结构测试、尺寸兼容性测试和现场性能监测），测试通过后方可获准。

与其他具有 CE 认证标识的产品组合使用时，必须遵循假肢技师出具的局部风险评估意见。

保修

本装置的保修期为 24 个月；制动带保修期为 12 个月。

用户应注意，在未经明确许可的情况下对装置进行改动或改装，可能会造成保修、使用牌照和免责条款失效。

最新完整保修声明见 Blatchford 网站。

严重事故报告

使用本装置不大可能发生严重事故，如若发生，应报知制造商以及您所在国家的主管部门。

环保事项

本产品含有液压油、混合金属和塑料。应尽可能根据当地的废物处理法规对部件进行回收处理。

保留包装标签

建议假肢技师保留包装标签，作为所购装置的一份记录。

制造商注册地址

Blatchford Products Limited, Lister Road, Basingstoke RG22 4AH, UK. (英国)

商标确认

Blatchford 是 Blatchford Products Limited 的注册商标。

| | | |
|----------|--|---|
| 121..... | المحتويات..... | |
| 122..... | الوصف والغرض من الاستخدام..... | ١ |
| 124..... | معلومات السلامة..... | ٢ |
| 125..... | التركيب..... | ٣ |
| 126..... | الوظيفة..... | ٤ |
| 126..... | الصيانة..... | ٥ |
| 127..... | قيود الاستخدام..... | ٦ |
| 128..... | المحاذاة الثابتة..... | ٧ |
| 129..... | نصائح المحاذاة وضبط الاستقرار..... | ٨ |
| 130..... | ضبط المصد الأمامي - ركيزة الدوران القابلة للضبط..... | ٩ |
| 131..... | ١-٩ عمليات ضبط إضافية..... | |
| 132..... | ١٠ إرشادات التجميع..... | |
| 132..... | ١-١٠ تغيير حاجز المصد الأمامي..... | |
| 132..... | ٢-١٠ تغيير مانعي حركة الساق..... | |
| 133..... | ٣-١٠ إزالة آلية ESK+..... | |
| 134..... | ٤-١٠ استبدال آلية ESK+..... | |
| 135..... | ١١ البيانات الفنية..... | |
| 136..... | ١٢ معلومات الطلب..... | |

1 الوصف والغرض من الاستخدام

أُعدت إرشادات الاستخدام الماثلة بهدف أن يستخدمها كل من الممارس والمستخدم ما لم يُنص على خلاف ذلك. تُستخدم كلمة جهاز متى وردت في إرشادات الاستخدام الماثلة للإشارة إلى منتجات ESK+ رباعية المسامير. يُرجى قراءة كل ما جاء في إرشادات الاستخدام والتأكد من فهمها، وخاصةً جميع معلومات السلامة وتعليمات الصيانة.

الاستخدام

لا يستخدم هذا الجهاز إلا بوصفه جزءاً من طرف صناعي سفلي.

يُخصّص هذا الجهاز لمستخدمٍ واحدٍ فقط.

هذا الجهاز هو وحدة ركبة توفر إطاراً أحادي المحور لركبة مستقرة تنشط عند تحميل وزن الجسم، مما يوفر الدعم للطرف الصناعي في مختلف إيقاعات المشي على مجموعة متنوعة من التضاريس، ويهدف هذا الجهاز لتحسين درجة السلامة وتقليل الحركات التعويضية.

يمكن تزويد الساق بإمكانية PSPC (التحكم الهوائي في طور التآرجح) أو SmartIP (طرف صناعي ذكي) أو يمكن توفيرها دون أسطوانة.

يتوفر الجهاز بخيارين للوصلات الدائنية وصلة رباعية المسامير أو وصلة بفتحة على شكل حرف T وخيارين للوصلات القاصية وصلة رأس هرمي ذكر أو وصلة قامطة أنبوب بقطر 30 ملم.

الميزات

| SmartIP يتم التحكم فيه بواسطة معالج دقيق | PSPC يتم ضبطها يدوياً | |
|--|-----------------------|---|
| ✓ | ✓ | الثني في طور الوقوف أثناء تحميل الوزن |
| ✓ | ✓ | إطار متين مصنوع من الألبياف الكربونية |
| ✓ | ✓ | ثني الركبة بزاوية قدرها 140 درجة |
| ✓ | ✓ | قابلية ضبط حساسية استقرار الركبة |
| | ✓ | أدوات تحكم في طور التآرجح مستقلة وقابلة للضبط يدوياً من أجل الثني والبسط |
| ✓ | | التحكم في طور التآرجح بواسطة معالج دقيق عند الثني مع خاصية تخميد الأثر النهائي القابلة للضبط يدوياً عند البسط |

هذا الجهاز مخصص للأشخاص الذين يمارسون نشاطاً من المستوى ٢ و٣ و٤ (تطبق حدود الوزن، انظر البيانات الفنية).

قد يكون من غير المناسب استخدام هذا الجهاز بواسطة أشخاص يمارسون نشاطاً من المستوى 1 أو يشاركون في فعاليات رياضية تنافسية. فقد يكون من الأفضل لهؤلاء استخدام طرف صناعي مُصمَّم خصيصاً ليلّايم احتياجاتهم.

مستوى النشاط 1

القدرة على أو إمكانية استخدام الطرف الصناعي في عمليات الانتقال أو السير على الأسطح المستوية بإيقاع ثابت. وهو المستوى المعتاد للقادرين على السير محدودة وغير محدودة بسرعة محدودة وغير محدودة.

مستوى النشاط 2

القدرة على أو إمكانية السير مع القدرة على اجتياز الحواجز البيئية منخفضة المستوى مثل الرصافان أو السلالم أو الأسطح غير المستوية. وهو المستوى المعتاد للقادرين على السير والتنقل في المجتمع باستقلالية بسرعة محدودة.

مستوى النشاط 3

القدرة على أو إمكانية السير بإيقاع متغير. عادةً ما يُقصد بذلك الأشخاص القادرون على السير والتنقل في المجتمع باستقلالية ممن لديهم القدرة على اجتياز معظم العوائق البيئية ويُحتمل أن يمارسوا نشاطاً مهنيًا أو علاجيًا أو ترفيهيًا يتطلب استخدام طرف صناعي لغرض أكبر من مجرد التنقل.

مستوى النشاط 4

القدرة على أو إمكانية السير باستخدام طرف صناعي مخصص لغرض يتخطى مهارات السير الأساسية، مع تحقيق مستويات مرتفعة من التأثير أو الضغط أو الطاقة. وعادةً ما تكون تلك هي متطلبات الطرف الصناعي للأطفال أو البالغين النشطين أو الرياضيين.

المنافع السريرية


- توفر خاصية التحكم في طور الوقوف التي تنشيط عند تحميل وزن الجسم وخاصية التحكم في طور التراجع القابلة للضبط مشية سلسة وأمنة مع ركة حرة الحركة.
- تسمح خاصية التحكم في طور التراجع بواسطة معالج دقيق بتحسين سمات المشية عبر مجموعة من سرعات المشي. (SmartIP فقط).
- تتميز آلية استقرار الركبة بأداء مرن يتيح إمكانية النثي بدرجة محدودة في طور الوقوف تحت تأثير الحمل لامتصاص الأحمال الصدمية عند ملامسة العقب للأرض.

موانع الاستخدام


لا يُصلح هذا الجهاز لـ:


- المستخدمين الذين يعانون من ضعف العضلات الحاد أو الانقباضات العضلية التي يتعذر معالجتها بشكل صحيح أو اضطرابات الإدراك الحسي العميق بما في ذلك ضعف التوازن.
- المستخدمون الذين يعانون من عدم استقرار المفصل المقابل أو إصابته بأي أمراض.
- المستخدمين الذين يعانون من حالات معقدة تتضمن إعاقات متعددة.
- المستخدمين، بما في ذلك مبتوري الطرفين من أعلى الركبة، الذين يحتاجون إلى وظيفة مطاوعة للركبة لنزول السلالم أو الجلوس. يمكن أن يؤدي ذلك إلى تلف آلية المكبح مما قد يؤثر سلبًا على الاستقرار والمتانة.


يلزم تدريب المستخدمين على المشي قبل بدء استخدام هذا الجهاز. 


تأكد من فهم المستخدم لجميع إرشادات الاستخدام، مع الانتباه بصفة خاصة إلى جميع الأقسام المتعلقة بمعلومات السلامة والصيانة. 


٢ معلومات السلامة


يستخدم رمز التحذير هذا لإبراز معلومات السلامة المهمة. 

 ينبغي توخي الحذر عند حمل أوزان ثقيلة، فقد يُؤثّر ذلك سلبًا على اتزان الجهاز.


 ينبغي توجيه النصيحة للمستخدم بالاتصال بالممارس المسؤول عنه إذا تغيّرت حالته.


 تجنب تعريضه إلى درجات الحرارة الشديدة و/أو البرودة القارصة.


 لا يجب أن يتم تركيب الجهاز وصيانته وإصلاحه إلا من قبل طبيب مؤهل تأهيلًا مناسبًا.


 الجهاز غير مُعد للاستخدام عند الغمر في الماء أو كطرف صناعي أثناء الاستحمام. جفّف الطرف الصناعي على الفور إذا لامس الماء.

 توخ الحذر طوال الوقت لتفادي خطر انحصار الإصبع.

 ينبغي إبلاغ مُقدّم الخدمة الخاص بك فورًا بأي تغيرات تطرأ على أداء الطرف أو وظيفته، مثل انعدام الاستقرار أو الحركة في اتجاهين أو تقييد الحركة أو عدم سلاستها أو صدور ضجيج غير معتاد.

 استخدم دائمًا الدرابزين عند نزول الدرج وفي أي وقت آخر إذا كان متاحًا.

 قد تتأثر وظيفة الطرف الصناعي تأثرًا سلبيًا إذا طرأت أي تغيرات كبيرة على ارتفاع العقب بعد ضبط الوضع النهائي للمحاذاة.

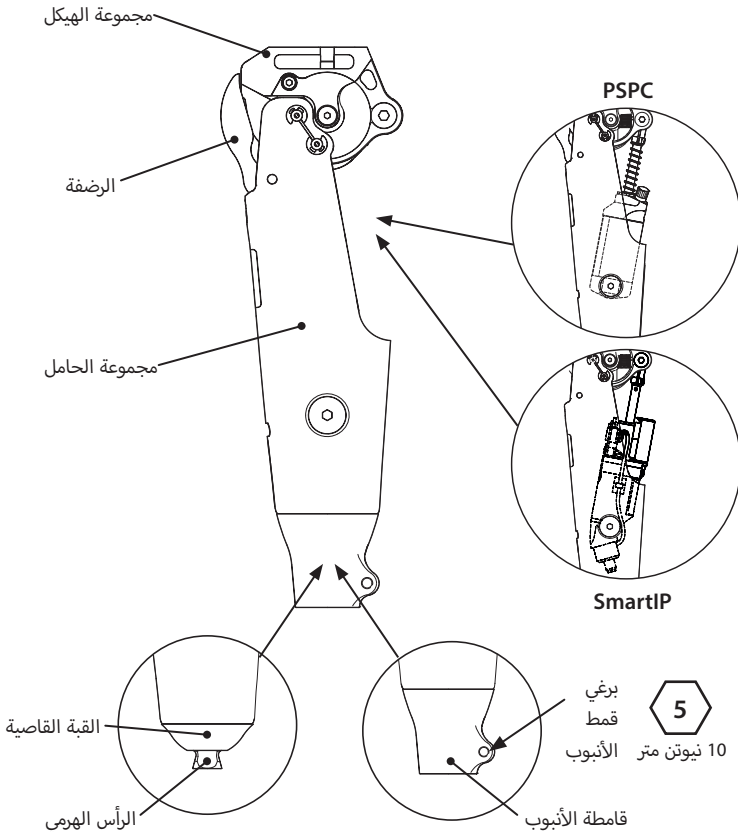
 عند القيادة، تأكد من استخدام المركبات المعدلة بشكل مناسب فقط. يجب على جميع الأشخاص مراعاة قوانين القيادة الخاصة بهم عند قيادة المركبات الآلية.

٣ التركيب

الأجزاء الرئيسية

مركب ألياف الكربون والفولاذ المقاوم للصدأ
سبيكة الألومنيوم، الفولاذ المقاوم للصدأ، اللدائن الحرارية الهندسية، مادة احتكاك
معززة بالألياف (خالية من الأسبستوس).
سبيكة الألومنيوم
مسمار لولبي مصنوع من التيتانيوم والفولاذ المقاوم للصدأ
سبيكة الألومنيوم
اللدائن الحرارية الهندسية
سبيكة الألومنيوم، الفولاذ المقاوم للصدأ، التيتانيوم، اللدائن الحرارية الهندسية
سبيكة الألومنيوم، الفولاذ المقاوم للصدأ، التيتانيوم، اللدائن الحرارية الهندسية
مكونات إلكترونية، بطاريات

- مجموعة الحامل
- مجموعة الهيكل
- القبة القاصية
- الرأس الهرمي القاصي
- قامطة الأنبوب القاصي
- الرضفة
- PSCP
- أسطوانة التحكم SmartIP



٤ الوظيفة

الركبة الصناعية هي تصميم أحادي المحور ينطوي على مُركّز مفصلي لتوصيل الهيكل بالحامل. والهيكل مزود بألية لاستقرار الركبة تنشط عند تحميل وزن الجسم. تتميز ألية استقرار الركبة بأداء مرن يتيح إمكانية الشئ بدرجة محدودة في طور الوقوف تحت تأثير الحمل لامتناس الأحمال الصدمية عند ملامسة العقب للأرض.

تقع أسطوانة التحكم في الركبة داخل مجموعة الإطار هذه، ويتم تركيبها بين المركز الخلفي للهيكل والمركز القاصي للحامل. تحتوي أسطوانة PSPC على صمامات قابلة للضبط يدويًا توفر تحكّمًا مستقلًا في مقاومة الشئ والبسط أثناء طور التّأرجح.

تستخدم أسطوانة التحكم SmartIP مستشعرات داخل الأسطوانة لمراقبة سرعة المشي وضبط مقاومة الشئ تلقائيًا وفقًا لذلك. يتم التحكم في البسط عن طريق ضبط أداة تخميد الأثر النهائي على إعداد ثابت.

٥ الصيانة

يتعين فحص الجهاز بشكلٍ مُنتظم عن طريق المعاينة البصرية.

ينبغي إبلاغ المُمارس/مُقدّم الخدمة بأيّ تغيرات تطرأ على أداء الجهاز، بما يتضمن على سبيل المثال صدور ضجيج غير مُعتاد أو زيادة الصلابة أو الدوران المحدود/المفرط أو التآكل الشديد أو التغير البالغ في اللون جراء التعرض طويل الأمد للأشعة فوق البنفسجية.

كما يتعين أيضًا إبلاغ المُمارس/مُقدّم الخدمة بأيّ تغيرات تطرأ على وزن الجسم و/أو مستوى النشاط.

التنظيف

استخدم قطعة فماش رطبة وصابونًا لطيفًا لتنظيف الأسطح الخارجية. تجنب استخدام المنظفات القوية.

بقية الإرشادات الواردة في هذا القسم مُوجهة للممارس فقط.

يجب ألا يقوم بأعمال الصيانة سوى موظفين مختصين (مُمارس أو فني مُؤهل تأهيلًا مُناسبًا).

للحفاظ على الأداء الأمثل، يُوصى بإجراء فحص دوري للتحقق من وجود ضجيج وتقلقل واستقرار غير مقبول. يتم تحديد الفترة بين عمليات الفحص من خلال عوامل مثل نشاط المستخدم ومعدل الاستخدام وإعداد استقرار الركبة.

كدليل، إذا كان الإعداد هو 6 نقرات أو أكثر وكان متوسط عدد خطوات المستخدم هو 600000 خطوة سنويًا، يُوصى بإجراء فحص سنوي.

إذا كان إعداد الاستقرار أقل من 6 نقرات و/أو كان متوسط عدد خطوات المستخدم أقل من متوسط

عدد الخطوات المعتاد، يمكن أن تكون الفترة بين عمليات الفحص أطول.

يُوصى باستخدام جهاز مراقبة نشاط الأطراف الصناعية لحساب عدد الخطوات.

نوصي بضبط الركبة وفقًا لمتطلبات الاستقرار الخاصة بالأفراد لضمان أعلى مستوى من الاستقرار والمتانة. انظر دليل الضبط/مخطط الإجراءات.

في عمليات الفحص هذه؛

- تحقّق من وجود أيّ أعطال مرئية من شأنها أن تُؤثّر على عمل الجهاز بصورة سليمة.
- افحص المصد الأمامي واستبدله إذا لزم الأمر.
- افحص مانعيّ حركة الساق واستبدلهما إذا لزم الأمر.
- فك الأجزاء ونظفها وأعد تركيبها.

انصح المستخدم بفحص الجهاز بصرياً بشكل دوري وينبغي إبلاغ الممارس بأي تغيرات في أداء الجهاز. قد تشمل التغيرات في الأداء: زيادة أو نقصان تصلب الركبة، عدم الاستقرار، انخفاض دعم الركبة (الحركة الحرة)، أي ضجيج غير معتاد.

التخزين والمناولة

عند التخزين لفترات طويلة، يجب أن يبقى الجهاز جافاً وفي نطاق درجة حرارة يتراوح بين 15°- مئوية و50° مئوية. استخدم العبوة المرفقة مع المنتج.

٦ قيود الاستخدام

العمر التشغيلي المستهدف:

يجب إجراء تقييم محلي للمخاطر بناءً على النشاط والاستخدام.

رفع الأحمال

وزن المستخدم ونشاطه يخضعان للحدود المذكورة.

يجب أن يستند الحمل الذي يحمله المستخدم إلى تقييم المخاطر المحلية.

البيئة:

يُنصح بتجنّب تعريض الجهاز لأي مواد أكالة مثل المياه والأحماض وغيرها من السوائل الأخرى. كما يجب تفادي البيئة التي يحدث فيها احتكاك، مثل التي تحتوي على رمال، نظراً لاحتمال تسببها في التعجيل بالتآكل.

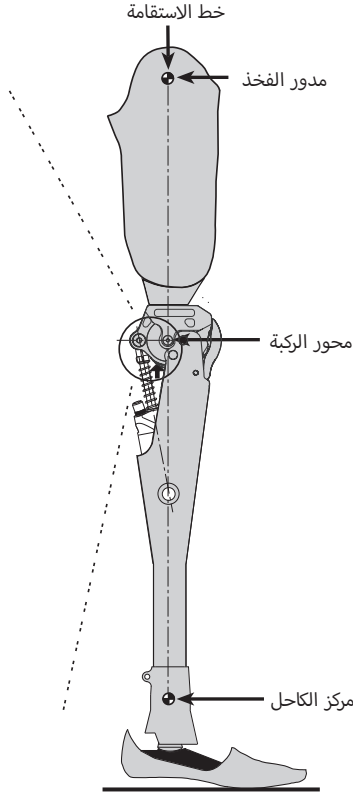
لاستخدم فقط في درجة حرارة تتراوح بين 15°- مئوية و50° مئوية.



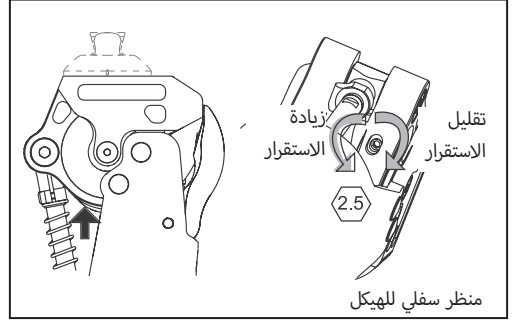
٧ المحاذاة الثابتة

الإرشادات الواردة في هذا القسم مُوجهة للممارس فقط.

تجارب المشي



ضابط مجموعة النابض



قم بمد الطرف الصناعي بالكامل للوصول إلى الضابط.

قم بتدوير ضابط مجموعة النابض لتحقيق الاستقرار

المطلوب لكل شخص مبتور.

لاحظ... يجب سماع نقرات مسموعة عند الضبط، ويتمتع

الضابط بخاصية القفل الذاتي.

قم بإحكام ربط مجموعة النابض لتقليل الاستقرار.

حرر مجموعة النابض لزيادة الاستقرار - انظر أعلاه.

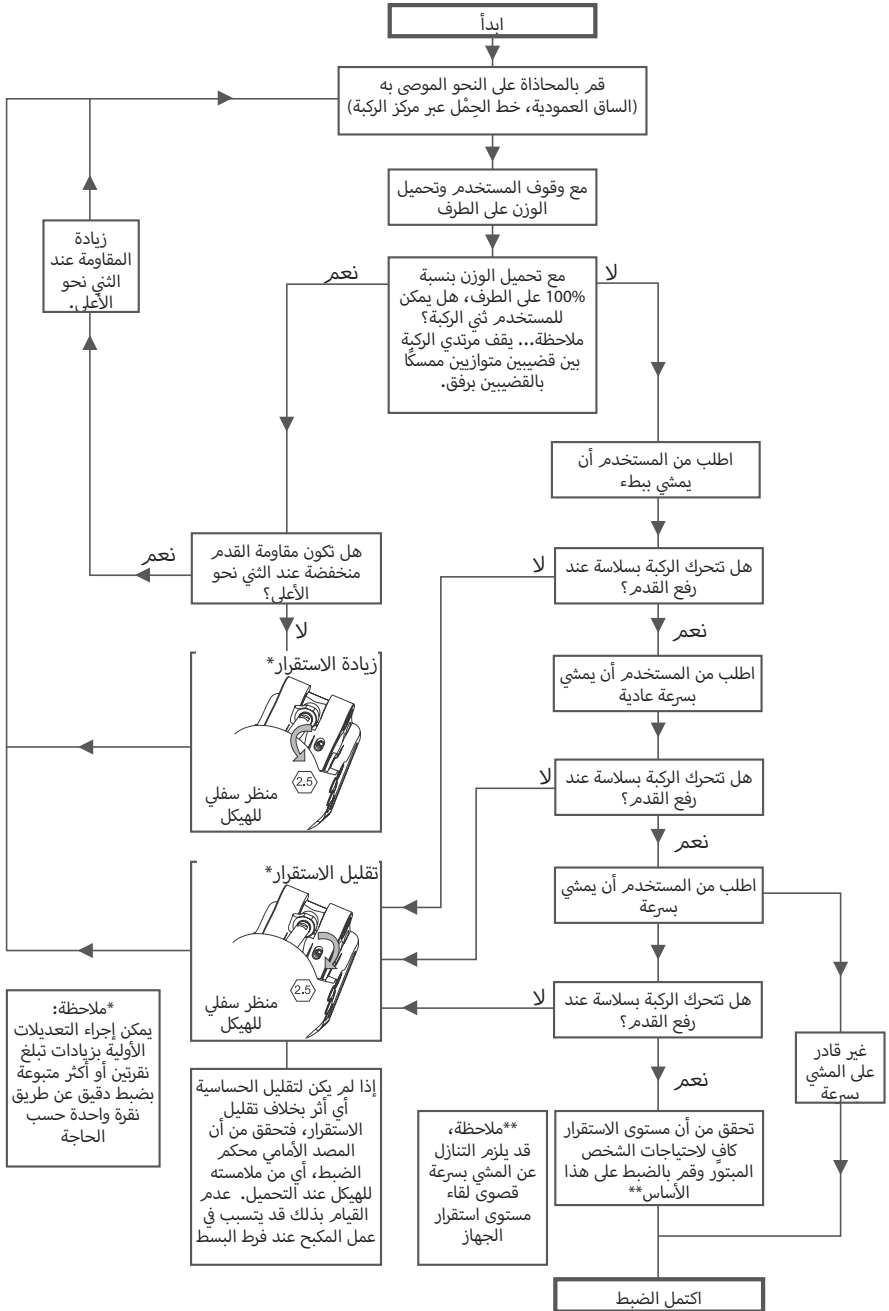
إذا لزم الأمر، يمكن إعادة ضبط الضابط على إعدادات

المصنع، يمكن تحقيق ذلك عن طريق تقليل الاستقرار

بمقدار ست نقرات مسموعة من أقصى إعداد للاستقرار.

٨ نصائح المحاذاة وضبط الاستقرار

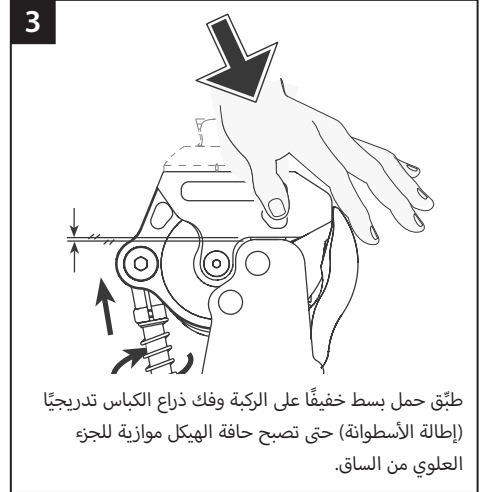
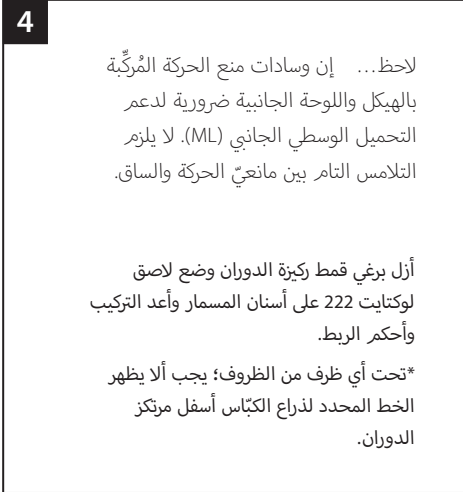
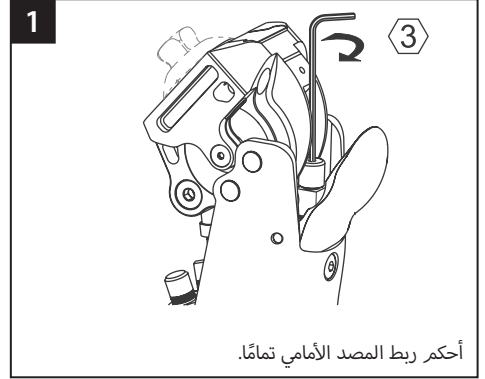
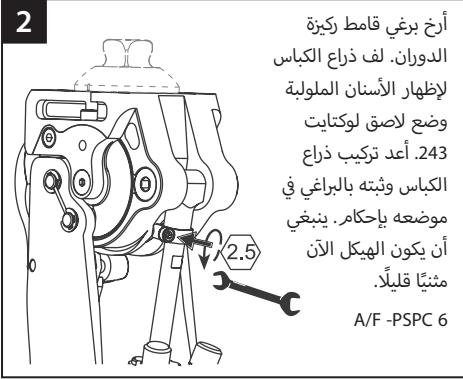
الإرشادات الواردة في هذا القسم مُوجهة للممارس فقط.



٩ ضبط المصد الأمامي - ركيزة الدوران القابلة للضبط

الإرشادات الواردة في هذا القسم مُوجهة للممارس فقط.

في حالة التركيب في PSPC



ضبط المصد الأمامي - الطرف الصناعي الذي غير القابل للضبط

(كما يتم تركيبها في النماذج الأقدم من SmartIP).

لا يلزم إجراء أي ضبط عند استخدام هذه الأسطوانات. وتتطلب الأسطوانات إحكام ربط المصد الأمامي بشكل تام كما هو موضح في المرحلة 1.

لضبط أجهزة التحكم في طور التآرجح، انظر إرشادات الاستخدام ذات الصلة.

الإرشادات الواردة في هذا القسم مُوجهة للممارس فقط.

| الأعراض | الحل |
|---|---|
| الركبة غير مستقرة | قُم بزيادة الحساسية |
| | زحزح التجويف إلى الأمام |
| | استبدل آلية استقرار الركبة إذا كانت الحافة الطرفية للمكبج تالفة |
| الركبة متيبسة | قلل الحساسية |
| | تحقق من الضبط الصحيح لطول قضيب الكباس |
| | زحزح التجويف إلى الخلف |
| يرتفع العقب عاليًا بشكل مفرط أثناء طور التآرجح | انظر إرشادات استخدام أسطوانة التحكم |
| ينخفض العقب بشكل مفرط أثناء طور التآرجح | انظر إرشادات استخدام أسطوانة التحكم |
| يعاني المستخدم من الأثر النهائي عند وصول الركبة للبط الكامل | انظر إرشادات استخدام أسطوانة التحكم |
| لا يمكن بسط الجهاز تمامًا أثناء طور التآرجح | انظر إرشادات استخدام أسطوانة التحكم |

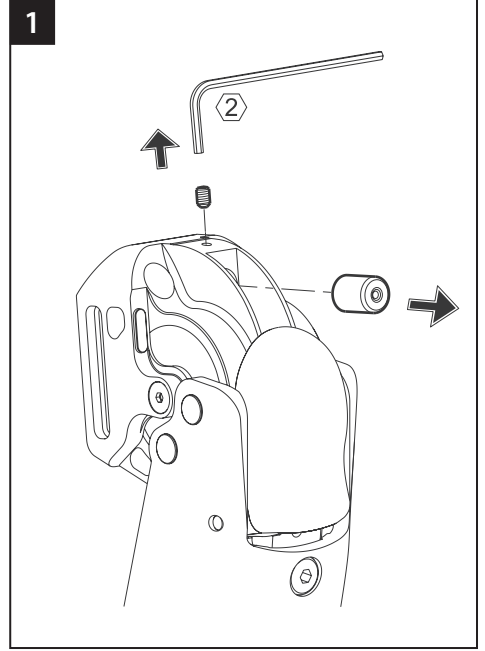
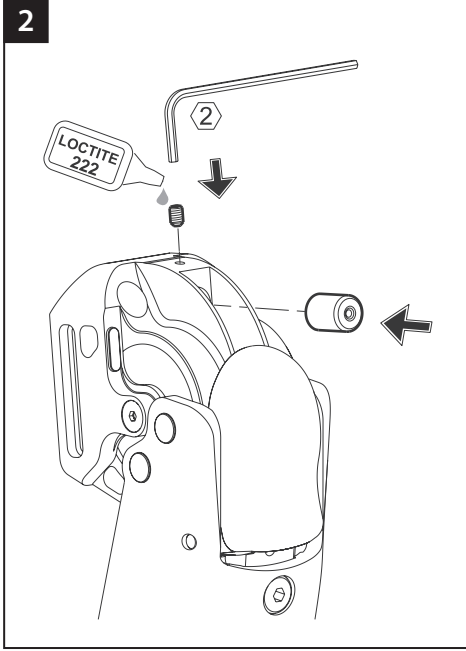
إذا كنت لا تزال تواجه مشكلات في وظيفة الجهاز بعد اتباع هذه الإرشادات؛ يُرجى التواصل مع فريق المبيعات في منطقتك لتلقي المشورة.

١٠ إرشادات التجميع

الإرشادات الواردة في هذا القسم مُوجهة للممارس فقط.

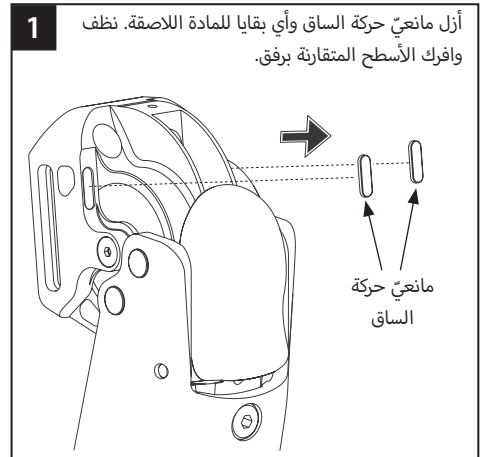
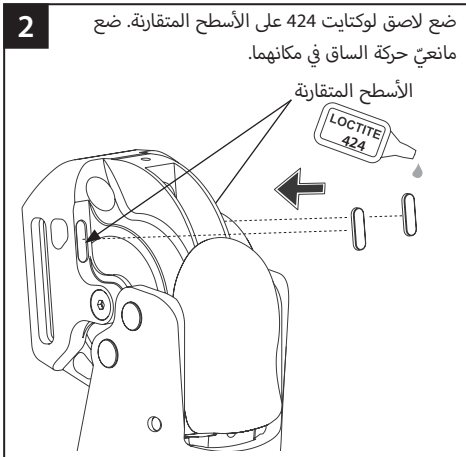
١-١٠ تغيير حاجز المصد الأمامي

عند تركيب مصد أمامي جديد، يجب دائمًا إعادة الضبط وإذا لزم الأمر التحقق من طول الأسطوانة إذا كانت مُركبة مع ركيزة دوران قابلة للضبط. قم بالضبط إذا لزم الأمر. (انظر الصفحة السابقة)

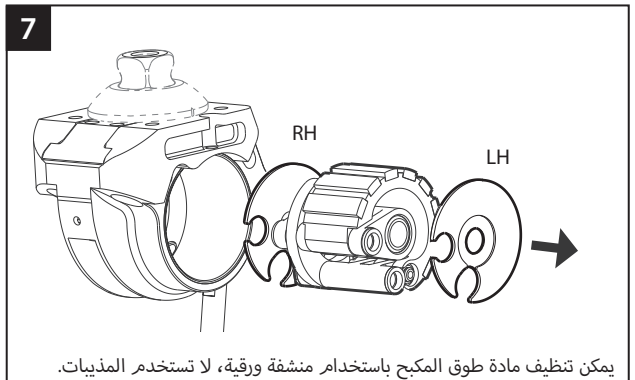
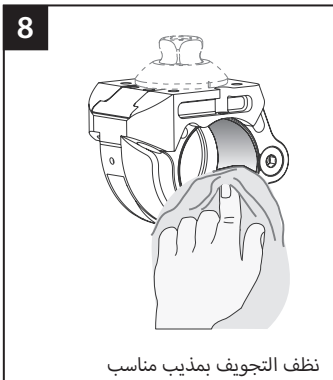
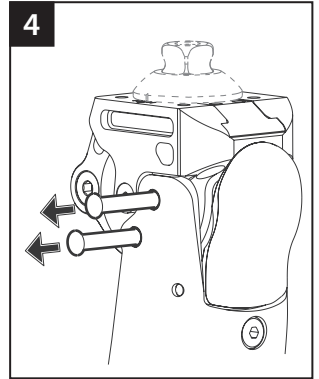
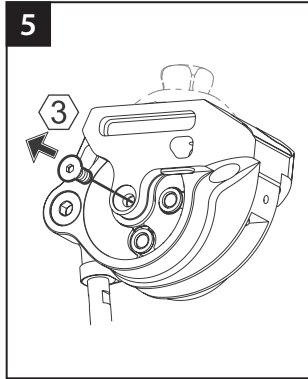
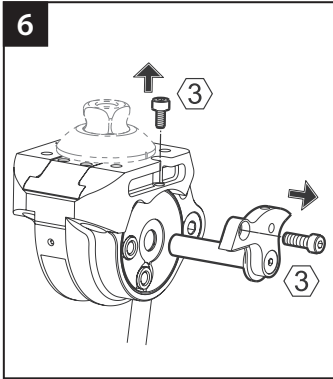
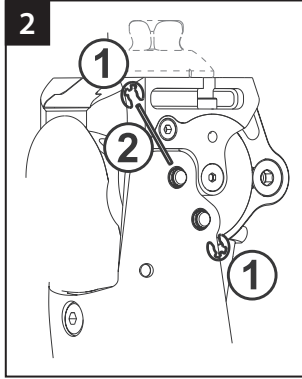
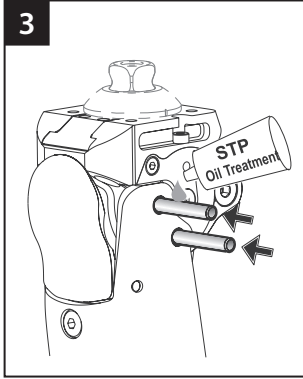


٢-١٠ تغيير مانعيّ حركة الساق

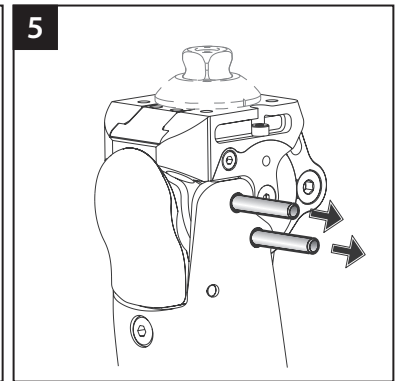
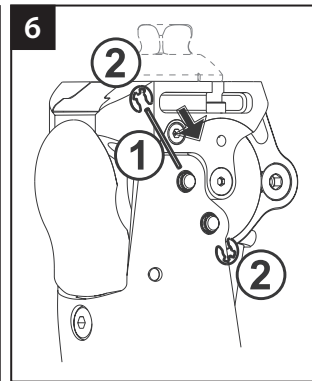
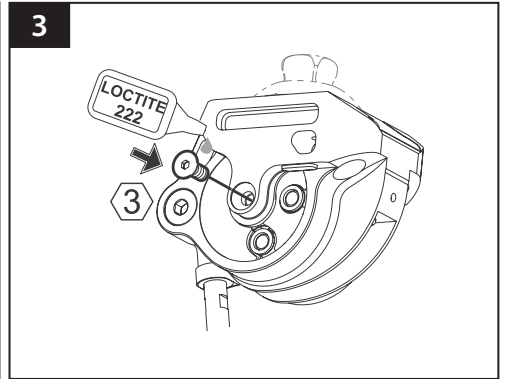
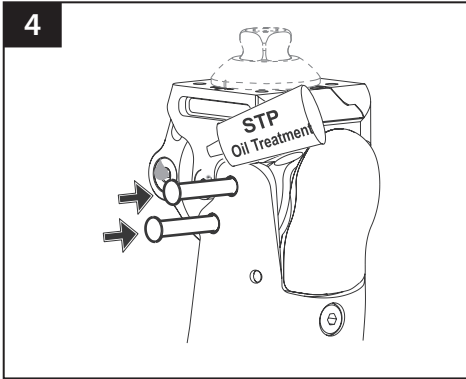
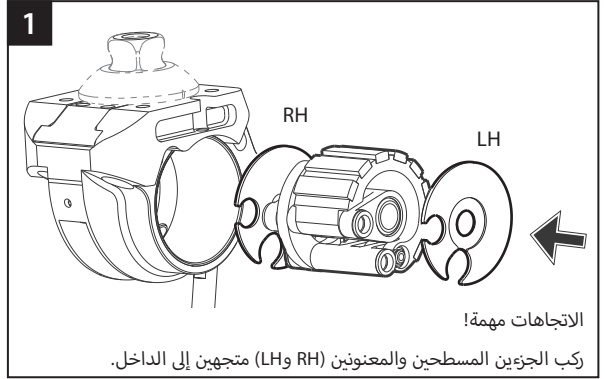
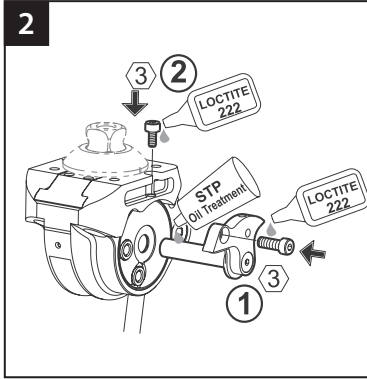
أزل مانعيّ حركة الساق وأي بقايا لل مادة اللاصقة. نظف وافرك الأسطح المتقارنة برفق.



الإرشادات الواردة في هذا القسم موجهة للممارس فقط.



الإرشادات الواردة في هذا القسم موجهة للممارس فقط.



١١ البيانات الفنية

نطاق درجة حرارة التشغيل والتخزين:

-15 ° مئوية إلى 50 ° مئوية

وزن المُكوّن الأساسي:

SmartIP

1.27 كجم

PSPC

1.13 كجم

مستوى النشاط:

3-2 (4)

الوزن الأقصى للمستخدم:

مستوى النشاط 3-2

125 كجم

مستوى النشاط 4

100 كجم

زاوية الثني القصوى:

140 درجة

وصلة المحاذاة الدائنية:

رباعية المسامير أو بفتحة على شكل

حرف T

قامطة أنبوب 30 ملم

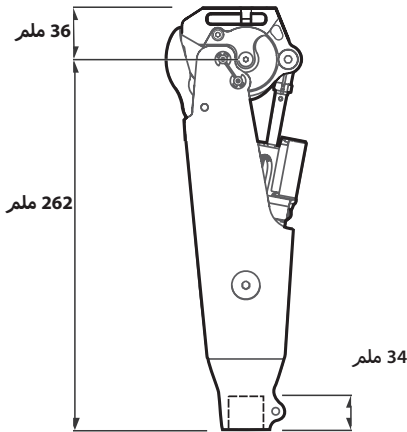
أو رأس هرمي ذكر (Blatchford)

وصلة المحاذاة القاصية:

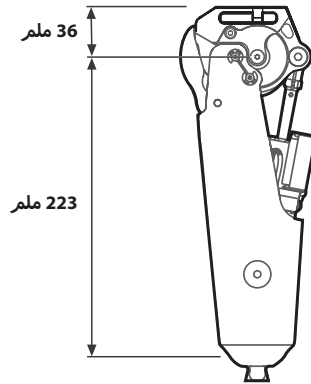
انظر الرسومات التوضيحية أدناه.

ارتفاع الهيكل:

طول الأجزاء



ESK+ رباعي المسامير
مع قامطة أنبوب قاص بقطر 30 ملم



ESK+ رباعي المسامير
مع رأس هرمي قاص

١٢ معلومات الطلب

مثال على طلب الشراء

| ESK+ مع مهائئ رباعي المسامير | | | | | | | | | | | | | | | | | | | | | | | | | | | |
|--|----------------------|-----------------------------|-----------------------------|----------------------------------|----|-----|-----|--------------|----------------------|---------------------|---------------------|--|--|--|--|---------|----|----|--------------|----------------------|-----------------------------|------------------------|-----------------------------|--------------------|--|--|--|
| الرأس الهرمي القاصي | | | | قامطة الأنبوب القاصي بقطر 30 ملم | | | | | | | | | | | | | | | | | | | | | | | |
| <table border="1"> <tr> <th>ESK</th> <th>4B</th> <th>P</th> <th>PYR</th> </tr> <tr> <td>+ESK</td> <td>مهائئ رباعي المسامير</td> <td>PSPC</td> <td>الرأس الهرمي القاصي</td> </tr> </table> | | | | ESK | 4B | P | PYR | +ESK | مهائئ رباعي المسامير | PSPC | الرأس الهرمي القاصي | <table border="1"> <tr> <th>ESK</th> <th>4B</th> <th>P</th> <th>30</th> </tr> <tr> <td>+ESK</td> <td>مهائئ رباعي المسامير</td> <td>PSPC</td> <td>قامطة الأنبوب القاصي 30 ملم</td> </tr> </table> | | | | ESK | 4B | P | 30 | +ESK | مهائئ رباعي المسامير | PSPC | قامطة الأنبوب القاصي 30 ملم | الأسطوانة الهوائية | | | |
| ESK | 4B | P | PYR | | | | | | | | | | | | | | | | | | | | | | | | |
| +ESK | مهائئ رباعي المسامير | PSPC | الرأس الهرمي القاصي | | | | | | | | | | | | | | | | | | | | | | | | |
| ESK | 4B | P | 30 | | | | | | | | | | | | | | | | | | | | | | | | |
| +ESK | مهائئ رباعي المسامير | PSPC | قامطة الأنبوب القاصي 30 ملم | | | | | | | | | | | | | | | | | | | | | | | | |
| <table border="1"> <tr> <th>SMARTIP</th> <th>4B</th> <th colspan="2">PYR</th> </tr> <tr> <td>رغبة SmartIP</td> <td>مهائئ رباعي المسامير</td> <td colspan="2">الرأس الهرمي القاصي</td> </tr> </table> | | | | SMARTIP | 4B | PYR | | رغبة SmartIP | مهائئ رباعي المسامير | الرأس الهرمي القاصي | | <table border="1"> <tr> <th>SMARTIP</th> <th>4B</th> <th>30</th> </tr> <tr> <td>رغبة SmartIP</td> <td>مهائئ رباعي المسامير</td> <td>قامطة الأنبوب القاصي 30 ملم</td> </tr> </table> | | | | SMARTIP | 4B | 30 | رغبة SmartIP | مهائئ رباعي المسامير | قامطة الأنبوب القاصي 30 ملم | رغبة SmartIP | | | | | |
| SMARTIP | 4B | PYR | | | | | | | | | | | | | | | | | | | | | | | | | |
| رغبة SmartIP | مهائئ رباعي المسامير | الرأس الهرمي القاصي | | | | | | | | | | | | | | | | | | | | | | | | | |
| SMARTIP | 4B | 30 | | | | | | | | | | | | | | | | | | | | | | | | | |
| رغبة SmartIP | مهائئ رباعي المسامير | قامطة الأنبوب القاصي 30 ملم | | | | | | | | | | | | | | | | | | | | | | | | | |
| <table border="1"> <tr> <th>ESK</th> <th>4B</th> <th colspan="2">PYR</th> </tr> <tr> <td>+ESK</td> <td>مهائئ رباعي المسامير</td> <td colspan="2">الرأس الهرمي القاصي</td> </tr> </table> | | | | ESK | 4B | PYR | | +ESK | مهائئ رباعي المسامير | الرأس الهرمي القاصي | | <table border="1"> <tr> <th>ESK</th> <th>4B</th> <th>30</th> </tr> <tr> <td>+ESK</td> <td>مهائئ رباعي المسامير</td> <td>قامطة الأنبوب القاصي 30 ملم</td> </tr> </table> | | | | ESK | 4B | 30 | +ESK | مهائئ رباعي المسامير | قامطة الأنبوب القاصي 30 ملم | غير مزود بأسطوانة تحكم | | | | | |
| ESK | 4B | PYR | | | | | | | | | | | | | | | | | | | | | | | | | |
| +ESK | مهائئ رباعي المسامير | الرأس الهرمي القاصي | | | | | | | | | | | | | | | | | | | | | | | | | |
| ESK | 4B | 30 | | | | | | | | | | | | | | | | | | | | | | | | | |
| +ESK | مهائئ رباعي المسامير | قامطة الأنبوب القاصي 30 ملم | | | | | | | | | | | | | | | | | | | | | | | | | |

قطع الغيار

| رقم القطعة. | البند |
|-------------|----------------------------------|
| 239150 | مجموعة رغبة ESK+ رباعية المسامير |
| 234914 | مسمار محاذاة آلية ESK |
| 234903 | وسادة مصد أمامي |
| 239949 | طقم آلية استقرار رغبة ESK+ |

المسؤولية

توصي الجهة المصنعة بقصر استخدام الجهاز على الظروف المحددة وأعراض الاستخدام المقصودة. يجب صيانة الجهاز وفقاً لإرشادات الاستخدام المرفقة مع الجهاز. الجهة المصنعة غير مسؤولة عن أي نتائج سلبية ناجمة عن أي مجموعة مكونات لم تصرح باستخدامها.

المطابقة لمواصفات المفوضية الأوروبية (CE)

يستوفي هذا المنتج متطلبات اللائحة الأوروبية 2017/745 EU للأجهزة الطبية. تم تصنيف هذا المنتج كجهاز من الفئة 1 وفقاً لقواعد التصنيف الموضحة في الملحق الثامن من اللائحة. تتوفر شهادة إعلان المطابقة للمواصفات الأوروبية على الموقع الإلكتروني التالي: www.blatchford.co.uk

مريض واحد - استخدامات متعددة



جهاز طبي



التوافق

اعتمدت عملية الاستخدام مع المنتجات التي تحمل علامة Blatchford استناداً إلى اختبارات أجريت طبقاً للمعايير ذات الصلة ولوائح الأجهزة الطبية متضمنة الاختبار الهيكلي وتوافق الأبعاد والأداء الميداني المرصود. ويجب أن يتم الاستخدام المتزامن مع المنتجات البديلة التي تحمل علامة المطابقة الأوروبية (CE) في ضوء تقييم المخاطر المحلية الموثق والذي يطلع به أحد الممارسين.

الضمان

هذا الجهاز مشمول بضمان مدته 24 شهراً، وتبلغ مدة ضمان طوق المكبح 12 شهراً. يجب أن يدرك المستخدم أن إجراء التغييرات أو التعديلات غير المعتمدة صراحة من شأنها أن تبطل الضمان وتراخيص التشغيل والإعفاءات. يرجى الرجوع إلى موقع Blatchford الإلكتروني للحصول على بيان الضمان الكامل الحالي.

الإبلاغ عن الحوادث الخطيرة

في حالة وقوع حادث خطير غير متوقع يتعلق بهذا الجهاز، يجب إبلاغ الجهة المصنعة والسلطة الوطنية المختصة لديك.

الجوانب البيئية

يحتوي هذا المنتج على زيت هيدروليكي ومعادن مختلطة ومواد بلاستيكية. يجب إعادة تدوير المكونات وفقاً للوائح المحلية للتعامل مع النفايات حيثما أمكن.

الاحتفاظ بملصق التغليف

يُنصح الممارس بالحفاظ على ملصق التغليف باعتباره مستنداً يُثبت اقتناء الجهاز.

العنوان المسجل للجهة المصنعة

.Blatchford Products Limited, Lister Road, Basingstoke RG22 4AH, UK

إقرارات العلامة لتجارية

.Blatchford هي علامة تجارية مسجلة لصالح شركة Blatchford Products Limited.

blatchford.co.uk/distributors

Blatchford Products Ltd.

Unit D Antura
Kingsland Business Park
Basingstoke
RG24 8PZ
UNITED KINGDOM
Tel: +44 (0) 1256 316600
Fax: +44 (0) 1256 316710
Email: customer.service@blatchford.co.uk
www.blatchford.co.uk

Blatchford Inc.

1031 Byers Road
Miamisburg
Ohio 45342
USA
Tel: +1 (0) 800 548 3534
Fax: +1 (0) 800 929 3636
Email: info@blatchfordus.com
www.blatchfordus.com

Blatchford Europe GmbH

Am Prime-Parc 4
65479 Raunheim
GERMANY
Tel: +49 (0) 9221 87808 0
Fax: +49 (0) 9221/87808 60
Email: info@blatchford.de
www.blatchford.de

Email: contact@blatchford.fr
www.blatchford.fr

Endolite India Ltd.

A4 Naraina Industrial Area
Phase - 1
New Delhi
INDIA – 110028
Tel: +91 (011) 45689955
Fax: +91 (011) 25891543
Email: endolite@vsnl.com
www.endoliteindia.com

Ortopro AS

Hardangervegen 72
Seksjon 17
5224 Nesttun
NORWAY
Tel: +47 (0) 55 91 88 60
Email: post@ortopro.no
www.ortopro.no



Blatchford Europe GmbH
Am Prime-Parc 4
65479 Raunheim Germany

