

Dynamic Pylon Top Housing

Instructions for Use

539601
539602

EN	Instructions for Use	2
DA	Brugsanvisning	11
NO	Bruksanvisning	20
FI	Käyttöohjeet	29
SV	Bruksanvisning	38
RU	Инструкция протезиста	47
ZH	使用说明	56
AR	إرشادات الاستخدام	65

Contents



Contents	2
1 Description and Intended Purpose	3
2 Safety Information	4
3 Construction	5
4 Function.....	6
5 Maintenance	6
6 Limitations on Use	7
7 Fitting Advice.....	8
8 Technical Data	9
9 Ordering Information	9

1 Description and Intended Purpose

These Instructions for Use are intended for the practitioner and user unless otherwise stated.

The term *device* is used throughout to refer to the Dynamic Pylon Top Housing.

Please read and ensure you understand these instructions, in particular all safety information and maintenance instructions.

Application

This device is to be used exclusively for modular lower limb prostheses, intended for a single user.

The device is designed to connect to other Blatchford-approved prosthetic technology (Elite Blade or Javelin), providing secure connection with sliding and rotational adjustment.

Features

- Lightweight, strong, aluminum and titanium construction

Activity Level

This device is suitable for Activity Levels 1-4 (weight limits apply, see *Technical Data*). Of course there are exceptions and in our recommendation we want to allow for unique, individual circumstances and any such decision should be made with sound and thorough justification.

Activity Level 1

Has the ability or potential to use a prosthesis for transfers or ambulation on level surfaces at fixed cadence. Typical of the limited and unlimited household ambulator.

Activity Level 2

Has the ability or potential for ambulation with the ability to traverse low-level environmental barriers such as curbs, stairs, or uneven surfaces. Typical of the limited community ambulator.

Activity Level 3

Has the ability or potential for ambulation with variable cadence. Typical of the community ambulator who has the ability to traverse most environmental barriers and may have vocational, therapeutic, or exercise activity that demands prosthetic utilization beyond simple locomotion.

Activity Level 4

Has the ability or potential for prosthetic ambulation that exceeds basic ambulation skills, exhibiting high impact, stress, or energy levels. Typical of the prosthetic demands of the child, active adult, or athlete.

Contraindications

There are no known contraindications if used in accordance with these instructions.

Clinical Benefit

- Allows a connection from a blade to other Blatchford-approved prosthetic technology.

2 Safety Information



This warning symbol highlights important safety information which must be followed carefully.



Any changes in the performance or function of the limb e.g. restricted movement, non-smooth motion, excessive play or unusual noises should be immediately reported to your service provider.



Always use a hand rail when descending stairs and at any other time if available.



539601 (male) is designed for prolonged submersion and suitable for immersion in fresh water only. Ensure any use of the device in water complies with the conditions given in *Limitations on Use*.



539602 (female) can be used as shower prosthesis but is not designed for prolonged submersion in water. After contact with water wipe dry immediately. If this device comes into contact with salt or chlorinated water, it should be rinsed with fresh water and dried. Ensure any use of the device in water complies with the conditions given in *Limitations on Use*.



The user must not adjust or tamper with the setup of the device.



The user is advised to contact their practitioner if their condition changes.



To reduce the risk of injury due to failure or loosening of the bolt connections, ensure the bolt threads are cleaned thoroughly before each installation.



Always use Loctite and apply the specified torque value to the bolts. Never use an alternative bolt.



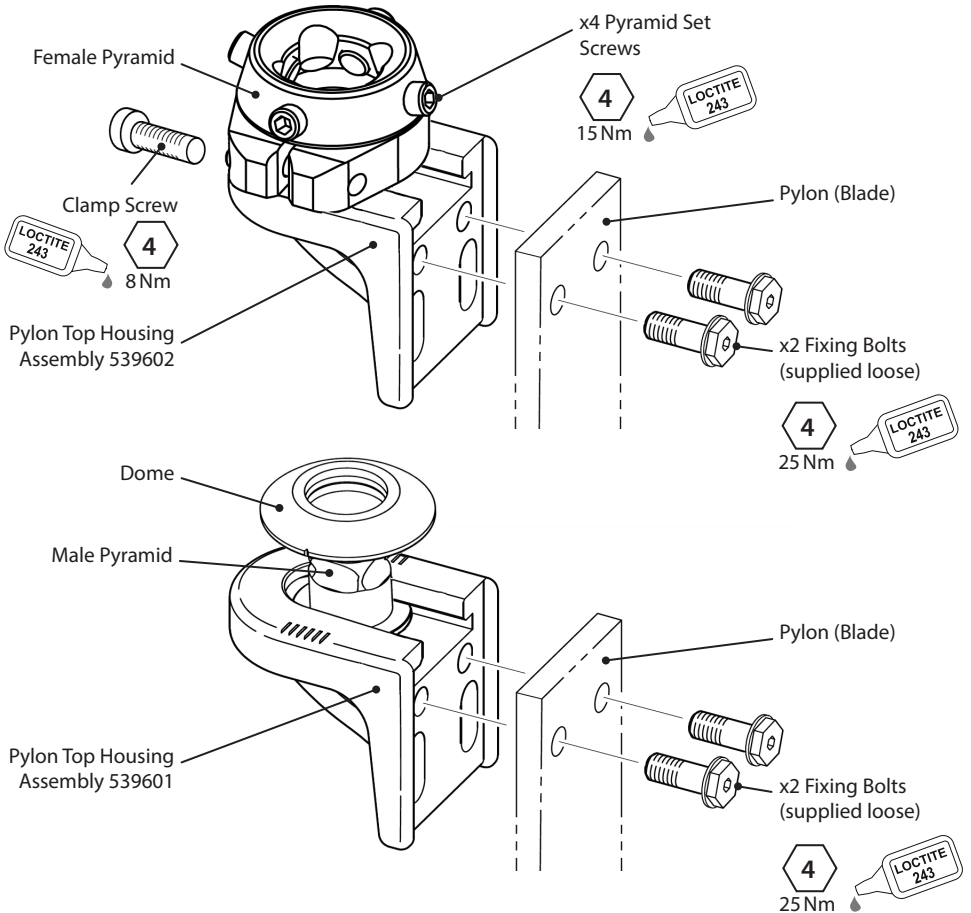
Assembly, maintenance and repair of the device must only be carried out by a suitably qualified practitioner.

3 Construction

Principal Parts

- Female Pyramid Titanium
- Pyramid Set Screws Plated steel (x4)
- Collar/Clamp Ring Aluminum alloy
- Clamp Screw and Inserts Plated steel
- Male Pyramid Stainless steel
- Dome Aluminum
- Pylon Top Housing Assembly Aluminum
- Fixing Bolts Titanium (x2)

Component Identification



4 Function

This device provides secure connection between a male or female pyramid and a transtibial blade prosthesis. When the fixing bolts are tightened securely, using Loctite 243, this device offers a secure way, with sliding, rotating and angular movement, to connect and optimize alignment of the two parts of the limb.

5 Maintenance

Visually check the device regularly.

Report any changes in performance of this device to the practitioner/service provider e.g. unusual noises or significant wear. There should be no movement at this interface.

Inform the practitioner/service provider of any changes in body weight and/or activity level.

Cleaning

Use a damp cloth and mild soap to clean outside surfaces. DO NOT use aggressive cleansers.

ALWAYS dry the device thoroughly after shower use to prevent water collection in the “T” slot of the Pylon Top Housing Assembly.

The remaining instructions in this section are for practitioner use only.

This maintenance must be carried out only by competent personnel (practitioner or suitable trained technician).

The following routine maintenance is to be carried out at least annually:

- Check the fixing bolts for tightness. If loose, remove and clean, then apply Loctite 243 and tighten to the correct torque setting, see *Construction* section.
- Check for defects that could affect proper function.
- Check for corrosion.

Ensure the user has read and understood all safety and user-level maintenance information.

Advise the user that a regular visual check of the device is recommended and signs of wear that may affect function should be reported to their service provider (e.g. significant wear or corrosion).

Advise the user to inform the practitioner/service provider of any changes in body weight and/or activity level.

If this device is used for extreme activity, the maintenance level and interval should be reviewed and if required advice and technical support sought to plan a new maintenance schedule dependent upon the frequency and nature of the activity. This should be determined by a local risk assessment carried out by a suitably qualified individual.

6 Limitations on Use

Intended Life

A local risk assessment should be carried out based upon activity and usage.

Lifting Loads

User weight and activity is governed by the stated limits.

Load carrying by the user should be based on a local risk assessment.

Environment

539601 (Male)

This device is waterproof to a maximum depth of 1 meter. Thoroughly rinse with fresh water after use in abrasive environments such as those that may contain sand or grit, for example, to prevent wear or damage to moving parts. Thoroughly rinse with fresh water after use in salt or chlorinated water.

ALWAYS dry the device thoroughly after shower use to prevent water collection in the "T" slot of the Pylon Top Housing Assembly.

Exclusively for use between -15 °C and 50 °C (5 °F to 122 °F).



Suitable for submersion

539602 (Female)

This device can be used as a shower prosthesis but is not designed for prolonged submersion in water. If this device comes into contact with salt or chlorinated water, it should be rinsed with fresh water and dried. Light surface corrosion will not affect the function or security of this device. However, if heavy corrosion is evident, stop using this device and contact your practitioner.

ALWAYS dry the device thoroughly after shower use to prevent water collection in the "T" slot of the Pylon Top Housing Assembly.

Exclusively for use between -15 °C and 50 °C (5 °F to 122 °F).



Suitable for shower use

7 Fitting Advice

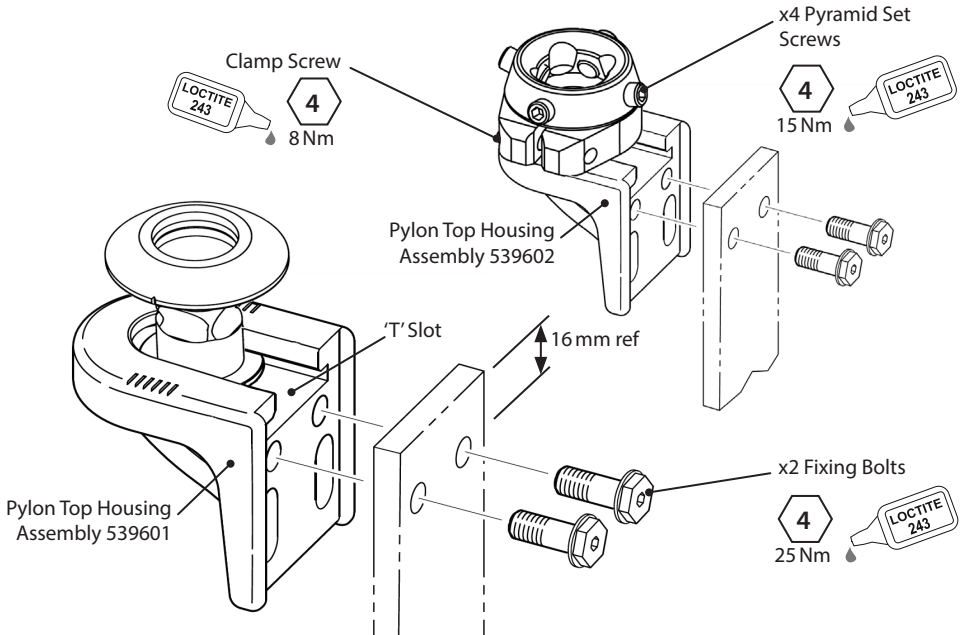
The instructions in this section are for practitioner use only.

A fitting jig (941255) is available to optimize length and alignment. Alignment of the Prosthesis can then be finalized for comfort, function and performance in conjunction with the required Male/Female pyramid adapter. Position as close as possible to the build line.

Shift Adapter

Refer to appropriate Dynamic Pylon fitting instructions for cutting/drilling information.

Insert relevant shift adapter into 'T' slot, if required. Attach housing, ensuring pylon does not protrude above the top surface of the adapter.



Fixing Bolts

Two fixing bolts are supplied with the kit for fixing to mating component.

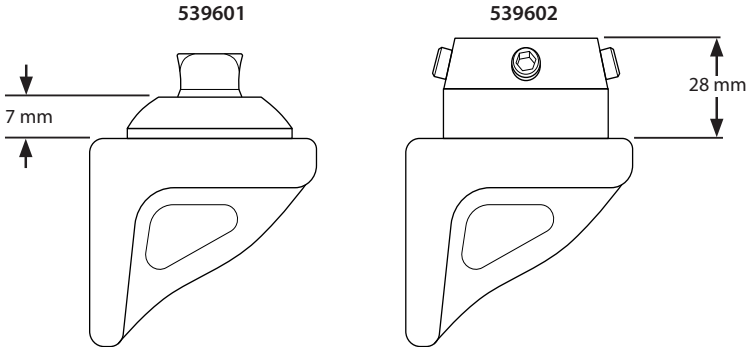
Apply Loctite 243 to all screws threads and tighten to the correct torque setting.

Symptom	Solution
A recurring noise occurs between the device interfaces.	Clean the device interfaces. Apply Loctite and tighten the bolts to the correct torque setting.
The adapter moves out of position.	User must not use the device until adjusted, repaired or replaced.

8 Technical Data

	539601	539602
Operating and Storage Temperature Range:	-15°C to 50°C (5°F to 122°F)	-15°C to 50°C (5°F to 122°F)
Component Weight:	165 g (5.8 oz)	240 g (8.5 oz)
Activity Level:	1–4	1–4
Maximum User Weight:	Levels 1–3 :166 kg (366 lb) Level 4: 130 kg (287 lb)	Levels 1–3 :166 kg (366 lb) Level 4: 130 kg (287 lb)
Range of Adjustment:	±7° tilt from vertical ±15 mm shift A-P	±7° tilt from vertical ±15 mm shift A-P
Proximal Attachment:	Male pyramid (Blatchford)	Female pyramid (Blatchford)
Build Height:	7 mm	28 mm

Fitting Length



Storage and Handling

When storing for prolonged periods, ensure the product is free from moisture and stored at room temperature.

9 Ordering Information

Device	Part Number
Dynamic Pylon Top Housing (Male) Round Profile	539601
Dynamic Pylon Top Housing (Female) Round Profile	539602

Liability

The manufacturer recommends using the device only under the specified conditions and for the intended purposes. The device must be maintained according to the instructions for use supplied with the device. The manufacturer is not liable for any adverse outcome caused by any component combinations that were not authorized by them.

CE Conformity

This product meets the requirements of the European Regulation EU 2017/745 for medical devices. This product has been classified as a class I device according to the classification rules outlined in Annex VIII of the regulation. The EU declaration of conformity certificate is available at the following internet address: www.blatchford.co.uk



Medical Device



Single Patient – multiple use

Compatibility

Combination with Blatchford branded products is approved based on testing in accordance with relevant standards and the MDR including structural test, dimensional compatibility and monitored field performance.

Combination with alternative CE marked products must be carried out in view of a documented local risk assessment carried out by a Practitioner.

Warranty

This device is warranted for 24 months.

The user should be aware that changes or modifications not expressly approved could void the warranty, operating licenses and exemptions.

See the Blatchford website for the current full warranty statement.

Reporting of Serious Incidents

In the unlikely event of a serious incident occurring in relation to this device it should be reported to the manufacturer and your national competent authority.

Environmental Aspects

This product is made from a recyclable material. Where possible, the components should be recycled in accordance with local waste handling regulations.

Retaining the Packaging Label

The practitioner is advised to keep the packaging label as a record of the device supplied.

Trademark Acknowledgements

Blatchford is a registered trademark of Blatchford Products Limited.

Manufacturer's Registered Address

Blatchford Products Limited, Lister Road, Basingstoke RG22 4AH, UK.

Indhold.....	11
1 Beskrivelse og tilsigtet formål	12
2 Sikkerhedsinformation.....	13
3 Konstruktion	14
4 Funktion.....	15
5 Vedligeholdelse	15
6 Begrænsninger i forbindelse med brugen.....	16
7 Rådgivning vedrørende tilpasning.....	17
8 Tekniske data	18
9 Bestillingsoplysninger	18

1 Beskrivelse og tilsigtet formål

Denne brugsanvisning er beregnet til den praktiserende læge og brugeren, medmindre andet er angivet.

Udtrykket *anordning* anvendes i hele brugsanvisningen og henviser til dynamisk tophus-pylon.

Gennemlæs venligst, og sørg for, at du forstår disse anvisninger, særligt al sikkerhedsinformation og alle vedligeholdelsesanvisninger.

Anvendelse

Denne anordning må kun anvendes til modulopbyggede underbensproteser og er beregnet til en enkelt bruger.

Anordningen er designet til at kobles til andre Blatchford-godkendte proteseteknologier (Elite Blade eller Javelin), og den tilvejebringer en sikker forbindelse med justering af glidning og rotation.

Funktioner

- Stærk letvægtskonstruktion af titanium og aluminium

Aktivitetsniveau

Denne anordning er egnet til aktivitetsniveauer på 1-4 (vægtbegrænsninger gælder, se *Tekniske data*). Der er naturligvis undtagelser, og i vores anbefaling tager vi højde for unikke, individuelle omstændigheder, og enhver sådan beslutning skal træffes med en velfunderet og grundig begrundelse.

Aktivitetsniveau 1

Har evnen eller potentialet til at bruge en protese til forflytninger eller gang på plane overflader med en jævn gangrytme. Typisk for en person, der bruger protesen til begrænset og ubegrænset gang indendørs.

Aktivitetsniveau 2

Har evnen eller potentialet til gang og kan krydse lave forhindringer i omgivelserne såsom kantsten, trappetrin eller ujævne overflader. Typisk for en person, der bruger protesen til begrænset og ubegrænset gang udendørs.

Aktivitetsniveau 3

Har evnen eller potentialet til gang med en skiftende gangrytme. Typisk for en person, der kan gå udendørs, kan krydse de fleste forhindringer i omgivelserne, og kan have erhvervsmæssig-, terapeutisk- eller træningsaktivitet, der kræver brug af protesen til andet end simpel bevægelse.

Aktivitetsniveau 4

Har evnen eller potentialet til at gå med en benprotese, der overgår almindelige gangfærdigheder og kan klare høje niveauer af nedslag, stres og energi. Typisk for barnets, den aktive voksnes eller atletens krav til en benprotese.

Kontraindikationer

Der er ingen kendte kontraindikationer, hvis den bruges i overensstemmelse med disse anvisninger.

Klinisk fordel

- Gør det muligt at koble et blad til andre Blatchford-godkendte proteseteknologier.

2 Sikkerhedsinformation



Dette advarselssymbol fremhæver vigtig sikkerhedsinformation, som skal følges nøje.



Enhver ændring i protesens ydeevne eller funktion, f.eks. begrænset bevægelse, ujævn bevægelse, overdreven slør eller mislyde skal omgående rapporteres til serviceudbyderen.



Brug altid et gelænder, når du går ned ad trapper og på alle andre tidspunkter, når der forefindes gelænder.



539601 (han) er designet til længerevarende nedsækning, men er udelukkende egnet til nedsækning i ferskvand. Sørg for, at enhver brug af anordningen i vand er i overensstemmelse med betingelserne i *Begrænsninger i forbindelse med brugen*.



539602 (hun) kan bæres som protese, når der tages brusebad, men er ikke designet til længerevarende nedsækning i vand. Efter kontakt med vand skal anordningen omgående aftørres med en klud, indtil den er helt tør. Hvis denne anordning kommer i kontakt med saltvand eller klorholdigt vand, skal den skylles med rent vand og tørre. Sørg for, at enhver brug af anordningen i vand er i overensstemmelse med betingelserne i *Begrænsninger i forbindelse med brugen*.



Brugeren må ikke justere eller ændre på opsætningen af anordningen.



Brugeren rådes til at kontakte sin praktiserende læge, hvis brugerens tilstand ændres.



Risikoen for skader pga. fejl eller løsning af boltforbindelserne kan mindskes ved at sørge for, at boltgevindene er blevet grundigt rengjort inden hver enkelt installation.



Anvend altid Loctite og den specificerede tilspændingsværdi til boltene. Brug aldrig en alternativ bolt.



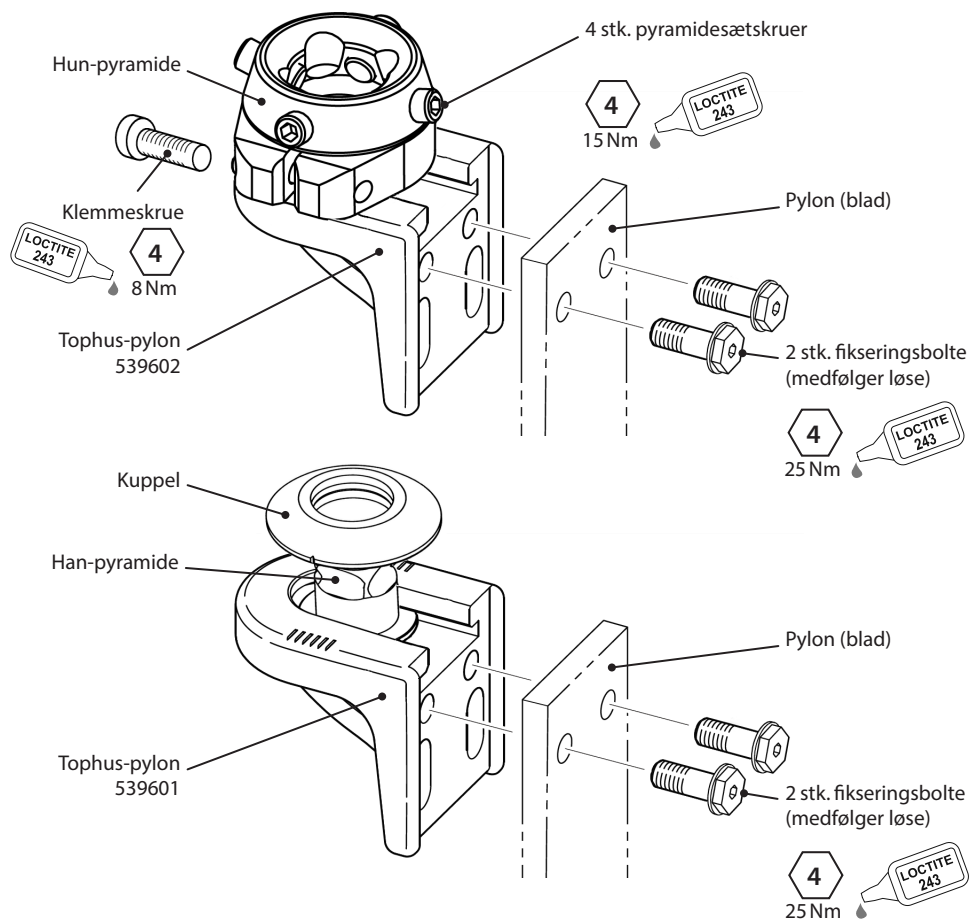
Montering, vedligeholdelse og reparation af anordningen må kun udføres af en kvalificeret person.

3 Konstruktion

Vigtige dele

- Hun-pyramide titanium
- Pyramidesætskruer pletteret stål (4 stk.)
- Krave/klemmering aluminiumlegering
- Klemmeskrue og indsatser pletteret stål
- Han-pyramide rustfrit stål
- Kuppel aluminium
- Tophus-pylon aluminium
- Fikseringsbolte titanium (2 stk.)

Komponentidentifikation



4 Funktion

Denne anordning udgør en sikker forbindelse mellem han- eller en hun-pyramide og en transtibial bladprotese. Når fikseringsboltene er blevet godt strammet ved hjælp af Loctite 243, udgør denne anordning en sikker måde at sætte de to dele af benet sammen på, med glidende, drejende og roterende bevægelse.

5 Vedligeholdelse

Efterse anordningen med jævne mellemrum.

Rapportér eventuelle ændringer i denne anordnings ydeevne til den praktiserende læge/ serviceudbyderen, f.eks. mislyde eller betydelig slitage. Der må ikke være bevægelse i denne kontaktflade.

Informér den praktiserende læge/serviceudbyderen, hvis der er ændringer kropsvægt og/eller aktivitetsniveau.

Rengøring

Brug en fugtig klud og mild sæbe til at rengøre udvendige overflader. Brug IKKE aggressive rengøringsmidler.

Lad ALTID anordningen tørre helt efter brusebad for at forhindre, at vand samler sig i "T"-hullet på tophus-pylonen.

De resterende anvisninger i dette afsnit er kun beregnet for den praktiserende læge.

Denne vedligeholdelse må kun udføres af kompetent personale (praktiserende læge eller uddannet tekniker).

Følgende rutinevedligeholdelse skal udføres mindst en gang om året:

- Kontrollér, at fikseringsboltene er strammet til. Hvis de er løse, skal de tages ud og rengøres. Derefter påføres Loctite 243, og skruerne strammes til det korrekte tilspændingsmoment, se afsnittet *Konstruktion*.
- Kontrollér, at der ikke er defekter, som kan påvirke den korrekte funktion.
- Kontrollér, at der ikke er ætsning til stede.

Sørg for, at brugeren har læst og forstået alle oplysninger om sikkerhed og vedligeholdelse på brugerniveau.

Informér brugeren om, at regelmæssig visuel kontrol af anordningen anbefales, og at tegn på slid, der kan påvirke funktionen, skal rapporteres til serviceudbyderen (f.eks. betydeligt slid eller ætsning).

Informér brugeren om, at han eller hun skal fortælle det til den praktiserende læge/ serviceudbyderen, hvis der er ændringer i kropsvægt og/eller aktivitetsniveau.

Hvis denne anordning bruges til ekstrem aktivitet, skal niveauet og intervallet for vedligeholdelse gennemgås, og hvis det er nødvendigt, skal der søges råd og teknisk support til at lægge en ny vedligeholdelsesplan afhængigt af aktivitetens hyppighed og art. Denne bør fastslås med en lokal risikovurdering, som skal udføres af en person med relevante kvalifikationer.

6 Begrænsninger i forbindelse med brugen

Forventet levetid

En lokal risikovurdering baseret på aktivitet og brugslængde skal udføres.

Belastning ved løft af byrder

Brugerens vægt og aktivitet er underlagt de angivne grænser.

Byrder, der må bæres af brugeren, skal baseres på en lokal risikovurdering.

Miljø

539601 (han)

Denne anordning er vandtæt indtil en dybde på maksimalt 1 meter. Skyl grundigt med rent vand efter brug i slibende miljøer, som f.eks. sand eller grus, for at forhindre slid eller beskadigelse af bevægelige dele. Skyl grundigt med rent vand efter brug i salt- eller klorinholdigt vand.

Lad ALTID anordningen tørre helt efter brusebad for at forhindre, at vand samler sig i "T"-hullet på tophus-pylonen.

Må kun anvendes ved temperaturer fra -15 °C og 50 °C.



Egnet til nedsænkning

539602 (hun)

Anordningen kan bæres som protese, når der tages brusebad, men er ikke designet til længerevarende nedsænkning i vand. Hvis denne anordning kommer i kontakt med saltvand eller klorholdigt vand, skal den skylles med rent vand og tørre. Let ætsning af overfladen vil ikke påvirke denne anordnings funktion eller sikkerhed. Hvis der imidlertid findes kraftig ætsning, skal brugen af anordningen stoppe, og den praktiserende læge skal kontaktes.

Lad ALTID anordningen tørre helt efter brusebad for at forhindre, at vand samler sig i "T"-hullet på tophus-pylonen.

Må kun anvendes ved temperaturer fra -15 °C og 50 °C.



Egnet til brug i brusebad

7 Rådgivning vedrørende tilpasning

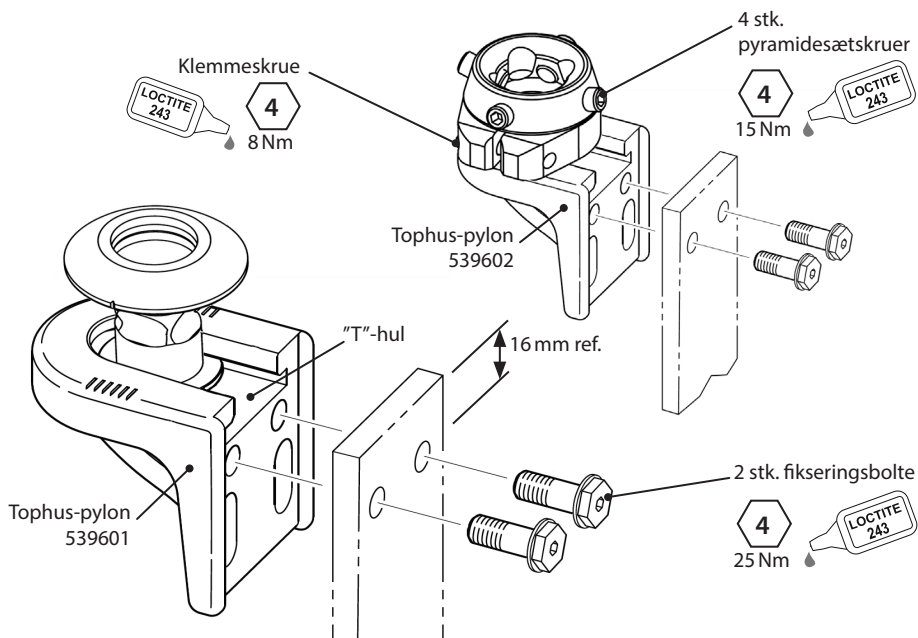
Anvisningerne i dette afsnit er kun beregnet til brug for den praktiserende læge.

En stiksav til tilpasning (941255) til optimering af længde og justering kan rekvireres. Tilpasning af protesen kan derefter finjusteres sammen med den påkrævede han/hun-pyramideadapter med henblik på optimal komfort, funktion og ydeevne. Placér så tæt på byggelinjen, som det er muligt.

Adapter til forskydning

Se de relevante anvisninger til montering af dynamisk pylon for at få oplysninger om skæring/boring.

Indsæt den relevante adapter til forskydning i "T"-hullet, om nødvendigt. Sæt huset på og kontrollér, at pylonen ikke stikker ud på adapterens øverste flade.



Fikseringsbolte

Der følger to fikseringsbolte med sættet til fiksering af parringskomponenter.

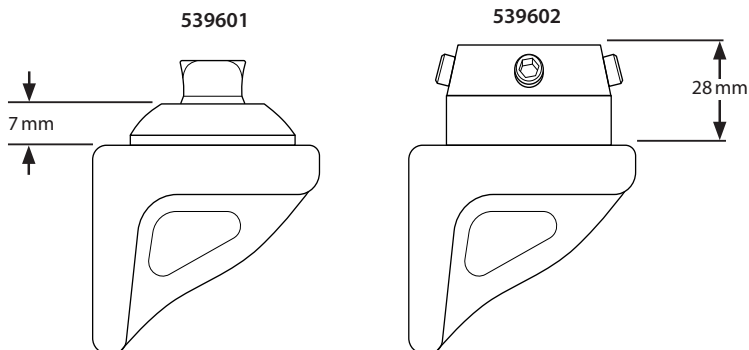
Påfør Loctite 243 på alle skruegevind, og tilspænd til det korrekte tilspændingsmoment.

Symptom	Løsning
Der opstår en tilbagevendende lyd mellem anordningens grænseflader.	Rengør anordningens kontaktflader. Påfør Loctite, og stram boltene til, indtil det korrekte tilspændingsmoment opnås.
Adapteren bevæger sig ud af position.	Brugeren må ikke anvende anordningen, førend den er blevet justeret, repareret eller udskiftet.

8 Tekniske data

	539601	539602
Temperaturområde for betjening og opbevaring:	-15 °C til 50 °C	-15 °C til 50 °C
Komponentens vægt:	165 g	240 g
Aktivitetsniveau:	1-4	1-4
Brugerens maksimale vægt:	Niveau 1–3: 166 kg Niveau 4: 130 kg	Niveau 1–3: 166 kg Niveau 4: 130 kg
Justeringsområde:	±7° hældning i forhold til vertikal ±15 mm forskydning A-P	±7° hældning i forhold til vertikal ±15 mm forskydning A-P
Proksimal vedhæftning:	Han-pyramide (Blatchford)	Hun-pyramide (Blatchford)
Byggeøjde:	7 mm	28 mm

Tilpasset længde



Opbevaring og håndtering

Sørg for, at produktet er fugtfrit og opbevares ved stuetemperatur, når det opbevares over længere tid.

9 Bestillingsoplysninger

Anordning	Delnummer
Dynamisk tophus-pylon (han) rund profil	539601
Dynamisk tophus-pylon (hun) rund profil	539602

Ansvar

Producenten anbefaler, at anordningen udelukkende bruges under de specificerede forhold og til de tilsigtede formål. Anordningen skal vedligeholdes i henhold til brugsanvisningen, der følger med anordningen. Producenten er ikke ansvarlig for nogle negative resultater, der skyldes komponentkombinationer, der ikke er godkendt af producenten.

CE-overensstemmelse

Dette produkt opfylder kravene i den Europæiske forordning EU 2017/745 for medicinsk udstyr. Dette produkt er klassificeret som klasse I-udstyr i henhold til klassificeringskriterierne, der er beskrevet i bilag VIII til forordningen. Certifikatet for EU-overensstemmelseserklæringen er tilgængeligt på følgende internetadresse: www.blatchford.co.uk



Medicinsk udstyr



Enkelt patient – flergangsbrug

Kompatibilitet

Kombination med Blatchford-mærkevarer er godkendt baseret på testning i overensstemmelse med relevante standarder og direktivet om medicinsk udstyr, herunder strukturel test, dimensionskompatibilitet og monitoreret feltpræstation.

Kombination med alternative CE-mærkede produkter skal udføres på grundlag af en dokumenteret lokal risikovurdering udført af en praktiserende læge.

Garanti

Der ydes 24 måneders garanti på anordningen.

Brugeren skal være opmærksom på, at ændringer eller modifikationer, der ikke udtrykkeligt er godkendt, kan annullere garantien, driftslicenser og undtagelser.

Gå til Blatchford-webstedet for at få den aktuelle fulde garantierklæring.

Rapportering af alvorlige hændelser

I det usandsynlige tilfælde, at der opstår en alvorlig hændelse i forbindelse med denne anordning, skal den rapporteres til producenten og den nationale tilsynsmyndighed.

Miljømæssige aspekter

Dette produkt er fremstillet af genanvendelige materialer. Hvor det er muligt, skal komponenterne genbruges i overensstemmelse med lokale regler for affaldshåndtering.

Opbevaring af emballagens etiket

Den praktiserende læge rådes til at opbevare emballagens etiket som en fortegnelse over den leverede anordning.

Anerkendelse af varemærket

Blatchford er et registreret varemærke tilhørende Blatchford Products Limited.

Producentens registrerede adresse

Blatchford Products Limited, Lister Road, Basingstoke RG22 4AH, Storbritannien.

Innhold.....	20
1 Beskrivelse og tiltenkt formål	21
2 Sikkerhetsinformasjon.....	22
3 Konstruksjon.....	23
4 Funksjon	24
5 Vedlikehold.....	24
6 Begrensninger i bruken	25
7 Råd om passform	26
8 Tekniske data	27
9 Bestillingsinformasjon.....	27

1 Beskrivelse og tiltenkt formål

Denne bruksanvisningen er ment for legen og brukeren, med mindre annet er oppgitt.

Begrepet *enhet* i dette dokumentet refererer til røradapteren for dynamisk rør.

Les og sørg for at du forstår disse instruksene, særlig all sikkerhetsinformasjon og vedlikeholdsinstruksjoner.

Bruksområde

Denne enheten skal utelukkende brukes for modulære proteser for nedre ekstremiteter, og er ment for én bruker.

Enheten er designet for tilkobling til annen Blatchford-godkjent proteseteknologi (Elite Blade eller Javelin), og gir sikker tilkobling med skyve- og rotasjonsjustering.

Funksjoner

- Lett, sterk aluminiums- og titankonstruksjon

Aktivitetsnivå

Denne enheten er egnet for aktivitetsnivå 1–4 (underlagt vektgrenser, se *Tekniske data*). Selvfølgelig er det unntak, og i anbefalingen vår ønsker vi å gi rom for unike, individuelle omstendigheter og enhver beslutning bør tas med en grundig begrunnelse.

Aktivitetsnivå 1

Har evnen eller potensialet til å bruke protese for å reise seg eller sette seg ned, eller forflytte seg på jevne overflater med fast skrittfrekvens. Typisk for den begrensede og ubegrensede jevne amulerendeperson.

Aktivitetsnivå 2

Har evnen eller potensialet for å kunne bevege seg med evnen til å ta seg over lave barrierer slik som fortauskanter, trapper eller ujevne overflater. Typisk for den begrensede jevne ambulerende person.

Aktivitetsnivå 3

Har evnen eller potensialet for å kunne bevege seg med variabel tråkkfrekvens. Typisk for en person som har evnen til å krysse de fleste barrierer og som kan ha yrkesaktiv eller terapeutisk aktivitet, eller treningsaktivitet som krever bruk av protese utover enkel bevegelse.

Aktivitetsnivå 4

Har evnen eller potensialet for protetisk ambulerende som overgår grunnleggende ambuleringsferdigheter, og viser høyt nivå av motstandsdyktighet, spenning og energi. Typisk for protesekravene hos et barn, en aktiv voksen eller konkurranseutøvere.

Kontraindikasjoner

Det finnes ingen kontraindikasjoner ved bruk i henhold til disse instruksjonene.

Klinisk fordel

- Gir tilkobling fra et blad til annen Blatchford-godkjent proteseteknologi.

2 Sikkerhetsinformasjon



Dette advarselssymbolet fremhever viktig sikkerhetsinformasjon som må følges nøye.



Eventuelle endringer i ytelsen eller funksjonen til protesen, f.eks. begrenset bevegelse, ujevn bevegelse, for mye slark eller uvanlige lyder skal umiddelbart rapporteres til leverandøren.



Bruk alltid et rekkverk når du går ned trapper og når som helst ellers hvis det er tilgjengelig.



539601 (hann) er designet for lengre tids nedsenkning, men er kun egnet for nedsenkning i ferskvann. Påse at all bruk i vann overholder vilkårene angitt i *Begrensninger i bruken*.



539602 (hunn) kan brukes som en dusjprotese, men er ikke designet for lengre tids nedsenkning i vann. Etter kontakt med vann, tørk den umiddelbart. Hvis denne enheten kommer i kontakt med salt- eller klorvann, bør den skylles med ferskvann og tørkes. Påse at all bruk i vann overholder vilkårene angitt i *Begrensninger i bruken*.



Brukeren må ikke justere eller tukle med monteringen av enheten.



Brukeren anbefales å kontakte legen sin hvis tilstanden endrer seg.



For å redusere risikoen for personskade på grunn av svikt eller at boltkoblingene løsner, må du påse at boltgjengene rengjøres grundig før hver installasjon.



Bruk alltid Loctite og stram boltene til angitt dreiemoment. Aldri bruk en annen bolt.



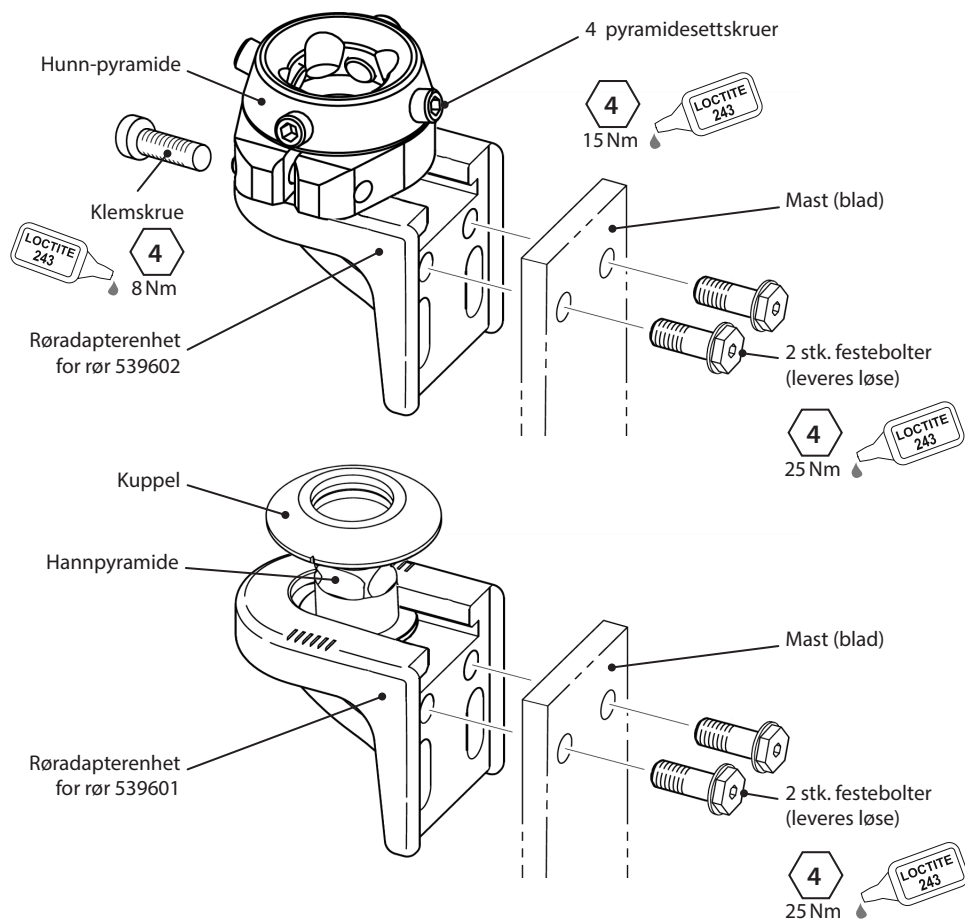
Montering, vedlikehold og reparasjon av enheten må bare utføres av en kvalifisert lege.

3 Konstruksjon

Viktigste deler

- Hunnpyramide Titan
- Pyramidesettskruer Belagt stål (x4)
- Krage/klemring Aluminiumlegering
- Klemskrue og innlegg Belagt stål
- Hannpyramide Rustfritt stål
- Kuppel Aluminium
- Røradapterenhet for rør Aluminium
- Festebolter Titan (x2)

Komponentidentifisering



4 Funksjon

Denne enheten gir sikker tilkobling mellom en hann- og hunnpyramide og en transtibial bladprotese. Når festeboltene er godt strammet ved bruk av Loctite 243, kan de to delene av ekstremiteten kobles sikkert sammen og innrettingen optimaliseres med skyve-, rotasjons- og vinkelbevegelse.

5 Vedlikehold

Sjekk enheten visuelt jevnlig.

Rapporter eventuelle endringer i ytelsen til denne enheten til legen/tjenesteleverandøren, f.eks. uvanlige lyder eller betydelig slitasje. Det skal ikke være noe bevegelse i dette grensesnittet.

Informér legen/leverandøren om endringer i kroppsvekt og/eller aktivitetsnivå.

Rengjøring

Bruk en fuktig klut og mild såpe for å rengjøre overflater. IKKE BRUK aggressive rengjøringsmidler.

ALLTID tørk enheten grundig etter bruk i dusjen for å hindre at vann samles i «T»-sporet til røradapteren til røret.

Resten av instruksjonene i avsnittet er kun ment for legen.

Vedlikehold må utføres av kompetent personell (lege eller utdannet tekniker).

Følgende rutinemessig vedlikehold må gjennomføres minst én gang i året:

- Sjekk at festeboltene er godt festet. Hvis det er løst, fjern og rengjør det, påfør så Loctite 243 og stram med korrekt angitt dreiemoment, se avsnitt *Konstruksjon*.
- Se etter feil som kan påvirke riktig funksjon.
- Sjekk for korrosjon.

Sørg for at brukeren har lest og forstått all informasjon om sikkerhet og vedlikehold på brukernivå.

Informér brukeren om at en regelmessig visuell sjekk av enheten anbefales, og tegn på slitasje som kan påvirke funksjonen skal rapporteres til tjenesteleverandøren (f.eks. betydelig slitasje eller korrosjon).

Be brukeren om å informere legen/leverandøren om endringer i kroppsvekt og/eller aktivitetsnivå.

Hvis enheten brukes ved ekstrem aktivitet, bør nivået og intervallet for vedlikehold revurderes, og om nødvendig vil støtteavdelingene for råd og teknikk planlegge en ny vedlikeholdsplan avhengig av aktivitetens hyppighet og type. Dette bør bestemmes ved en lokal risikovurdering utført av en kvalifisert person.

6 Begrensninger i bruken

Tiltenkt levetid

En lokal risikovurdering bør utføres basert på aktivitet og bruk.

Løftebelastninger

Brukervekt og aktivitet styres av de angitte grensene.

Brukeren skal være basert på en lokal risikovurdering.

Miljø

539601 (hann)

Denne enheten er vanntett til en dybde på maks. 1 meter. Skyll grundig med ferskvann etter bruk i slipende miljøer som kan inneholde sand eller korn, for eksempel for å forhindre slitasje eller skade på bevegelige deler. Skyll grundig med ferskvann etter bruk i salt eller klorert vann.

ALLTID tørk enheten grundig etter bruk i dusjen for å hindre at vann samles i «T»-sporet til røradapteren til røret.

Skal kun brukes mellom -15 °C og 50 °C.



Egnet for nedsenkning

539602 (hunn)

Denne enheten kan brukes som en dusjprotese, men er ikke designet for lengre tids nedsenkning i vann. Hvis denne enheten kommer i kontakt med salt- eller klorvann, bør den skylles med ferskvann og tørkes. Litt korrosjon på overflaten vil ikke påvirke funksjonen eller sikkerheten til denne enheten. Men hvis kraftig korrosjon er tydelig, stopp all bruk av enheten og kontakt legen din.

ALLTID tørk enheten grundig etter bruk i dusjen for å hindre at vann samles i «T»-sporet til røradapteren til røret.

Skal kun brukes mellom -15 °C og 50 °C.



Egnet for bruk i dusjen

7 Råd om passform

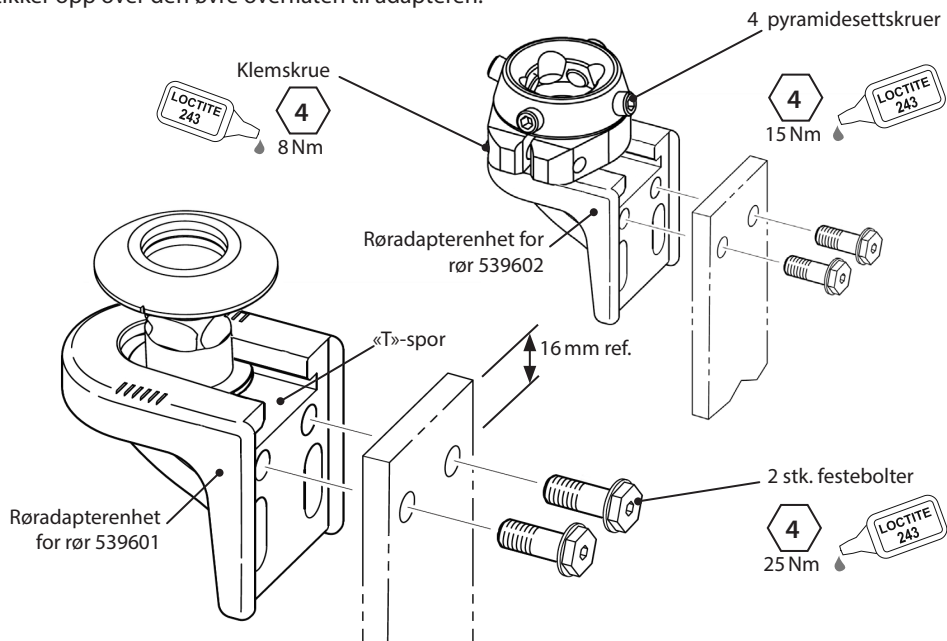
Instruksjonene i dette avsnittet er kun ment for legen.

En tilpasningsenhet (941255) er tilgjengelig for å optimalisere lengden og innrettingen. Innretting av protesen kan deretter fullføres for god komfort, funksjon og ytelse sammen med påkrevd hann-/hunnpyramideadapter. Plasser så nært byggelinjen som mulig.

Forskyvningsadapter

Se hensiktsmessige monteringsinstruksjoner for dynamisk rør for informasjon om kutting/boring.

Sett inn relevant forskyvningsadapter i «T»-sporet ved behov. Fest hus, og påse at røret ikke stikker opp over den øvre overflaten til adapteren.



Festebolter

To festebolter medfølger med settet for feste til kontaktkomponent.

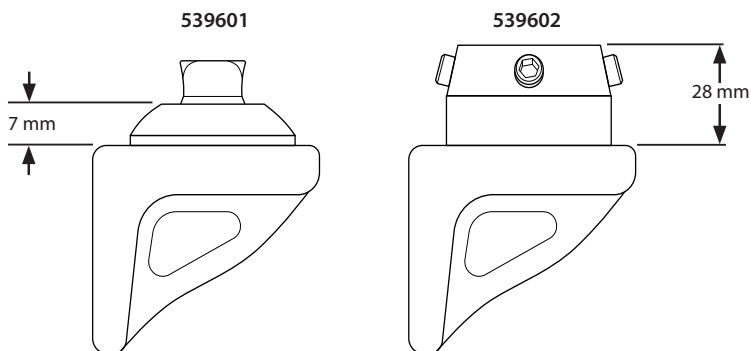
Påfør Loctite 243 på alle skruvegjenger, og stram til korrekt angitt dreiemoment.

Symptom	Løsning
En tilbakevendende lyd oppstår mellom enhetsgrensesnittene.	Rengjør enhetens grenseflater. Påfør Loctite og stram boltene til korrekt angitt dreiemoment.
Adapteren går ut av posisjon.	Brukeren må ikke bruke enheten før den er justert, reparert eller erstattet.

8 Tekniske data

	539601	539602
Område for drifts- og oppbevaringstemperatur:	- 15 °C til 50 °C	- 15 °C til 50 °C
Komponentvekt:	165 g	240 g
Aktivitetsnivå:	1–4	1–4
Maksimal brukervekt:	Nivå 1–3: 166 kg Nivå 4: 130 kg	Nivå 1–3: 166 kg Nivå 4: 130 kg
Justeringsområde:	±7° vinkel fra vertikalen ±15 mm forskyvning A-P	±7° vinkel fra vertikalen ±15 mm forskyvning A-P
Proksimalt feste:	Hannpyramide (Blatchford)	Hunnpyramide (Blatchford)
Bygghøyde:	7 mm	28 mm

Passformlengde



Oppbevaring og håndtering

Ved lagring over lengre perioder, må du sikre at produktet er fritt for fuktighet og oppbevares i romtemperatur.

9 Bestillingsinformasjon

Enhet	Delenummer
Røradapter for dynamisk rør (hann), rund profil	539601
Røradapter for dynamisk rør (hunn), rund profil	539602

Erstatningsansvar

Produsenten anbefaler å bruke enheten bare under de angitte forholdene og til de tiltenkte formål. Enheten må vedlikeholdes i henhold til bruksanvisningen som følger med enheten. Produsenten er ikke ansvarlig for skadelige utfall forårsaket av komponentkombinasjoner som ikke ble autorisert av dem.

CE-samsvar

Dette produktet oppfyller kravene i forordning (EU) 2017/745 om medisinsk utstyr. Dette produktet er klassifisert som en klasse I-enhet i henhold til klassifiseringsreglene beskrevet i vedlegg VIII til forskriften. EU-samsvarserklæringen er tilgjengelig på følgende internettadresse: www.blatchford.co.uk



Medisinsk enhet



Enkelt pasient – flere bruksmåter

Kompatibilitet

Kombinasjon med Blatchford-merkede produkter er godkjent basert på testing i samsvar med relevante standarder og MDR inkludert strukturell test, dimensjonell kompatibilitet og overvåket feltytelse.

Kombinasjon med alternative CE-merkede produkter må utføres med tanke på en dokumentert lokal risikovurdering utført av en utøver.

Garanti

Denne enheten har en garanti på 24 måneder.

Brukeren skal være klar over at endringer eller modifikasjoner som ikke uttrykkelig er godkjent, kan annullere garantien, driftslisensene og unntakene.

Se nettstedet til Blatchford for gjeldende full garantierklæring.

Rapportering av alvorlige hendelser

I det usannsynlige tilfellet at det skulle oppstå en alvorlig hendelse relatert til denne enheten, skal den rapporteres til produsenten og din nasjonale kompetente myndighet.

Miljøaspekter

Dette produktet er laget av resirkulert materiale. Der det er mulig, skal komponentene resirkuleres i samsvar med lokale forskrifter for avfallshåndtering.

Behold emballasjemerket

Legen anbefales å oppbevare emballasjetiketten som en oversikt over den medfølgende enheten.

Varemerkeanerkjennelser

Blatchford er et registrert varemerke for Blatchford Products Limited.

Produsentens registrerte adresse

Blatchford Products Limited, Lister Road, Basingstoke RG22 4AH, Storbritannia.

Sisällys	29
1 Kuvaus ja käyttötarkoitus	30
2 Turvallisuustietoja.....	31
3 Rakenne	32
4 Toiminta.....	33
5 Huolto.....	33
6 Käyttöä koskevat rajoitukset.....	34
7 Sovitusta koskevia ohjeita.....	35
8 Tekniset tiedot.....	36
9 Tilastiedot.....	36

1 Kuvaus ja käyttötarkoitus

Nämä käyttöohjeet on tarkoitettu proteesiteknikolle ja käyttäjälle, ellei toisin mainita.

Termiä *laite* käytetään näissä ohjeissa puhuttaessa dynaamisen putken yläkotelosta.

Lue ja varmista, että ymmärrät nämä ohjeet, etenkin kaikki turvallisuuteen ja huoltoon liittyvät ohjeet.

Käyttö

Tämä laite on tarkoitettu ainoastaan modulaariseen alaraajaproteesiin. Vain henkilökohtaiseen käyttöön.

Laite on tarkoitettu kiinnitettäväksi muihin Blatchfordin hyväksymiin proteesiosiin (Elite Blade tai Javelin), mikä tekee liitoksesta pitävän ja mahdollistaen liu'un ja kierron säädön.

Ominaisuudet

- Kevyt ja kestävä alumiini- ja titaanirakenne.

Aktiivisuustaso

Tämä laite soveltuu aktiivisuustasoille 1–4 (painorajoitukset täytyy huomioida, ks. *Tekniset tiedot*). Poikkeuksia ilman muuta on, ja siksi haluamme suosituksissamme huomioida yksilölliset tapaukset, jolloin päätöksen tulee olla perusteltu ja huolella harkittu.

Aktiivisuustaso 1

Pystyy käyttämään tai on mahdollisuus käyttää proteesia siirtymiseen tai liikkumiseen tasaisella pinnalla tasaiseen tahtiin. Tyypillistä rajallisesti ja rajoituksitta sisätiloissa liikkuvalla.

Aktiivisuustaso 2

Pystyy liikkumaan tai on mahdollisuus liikkua ja pystyy ylittämään matalia esteitä, kuten reunakiveyksiä, portaita tai epätasaisia pintoja. Tyypillistä rajallisesti ulkona liikkuvalla.

Aktiivisuustaso 3

Pystyy liikkumaan tai on mahdollisuus liikkua vaihtelevaan tahtiin. Tyypillistä ulkona liikkuvalla, joka pystyy ylittämään useimmat esteet ja jolla on työhön, terapiaan tai liikuntaan liittyvää toimintaa, joka vaatii proteesilta yksinkertaista liikettä enemmän.

Aktiivisuustaso 4

Pystyy liikkumaan tai on mahdollisuus liikkua proteesilla perusliikkumistaitoja vaativammin, sisältäen iskuja, rasiusta ja voimaa. Tyypillinen vaatimus lasten, aktiivisten aikuisten ja urheilijoiden proteesilta.

Vasta-aiheet

Tämän laitteen käytölle ei ole tiedossa olevia vasta-aiheita edellyttäen, että sitä käytetään näiden ohjeiden mukaisesti.

Kliiniset hyödyt

- Mahdollistaa putken yhdistämisen muihin Blatchfordin hyväksymiin proteesiosiin.

2 Turvallisuustietoja



Tällä varoitusmerkillä tuodaan esille tärkeitä turvallisuuteen liittyviä tietoja, joita täytyy noudattaa huolellisesti.



Kaikista proteesin toimintaan tai toimivuuteen liittyvistä muutoksista, kuten rajoittuneesta tai takelteleavasta liikkeestä, liiallisesta väljyydestä tai poikkeavista äänistä, tulee ilmoittaa välittömästi laitevalmistajalle.



Pidä aina kiinni kaiteesta, kun kuljet alas portaita ja myös muulloin, jos mahdollista.



539601 (uros) -osa kestää pitkiä aikoja veteen upotettuna, mutta vain makeaan veteen. Jos laitetta käytetään vedessä, kohdassa *Käyttöä koskevat rajoitukset* ilmoitettuja käyttöön liittyviä rajoituksia on noudatettava.



539602 (naaras) -osaa voi käyttää suihkuproteesina, mutta sitä ei ole suunniteltu pitkäaikaiseen vedessä oloon. Kuivaa laite välittömästi, jos se on ollut kosketuksessa veteen. Jos laite joutuu kosketukseen suola- tai klooripitoisen veden kanssa, se tulee huuhdella puhtaalla vedellä ja kuivata. Jos laitetta käytetään vedessä, kohdassa *Käyttöä koskevat rajoitukset* ilmoitettuja käyttöön liittyviä rajoituksia on noudatettava.



Käyttäjä ei itse saa säätää tai muuttaa laitteen asetuksia.



Käyttäjän tulee ottaa yhteyttä proteesitekniikkaan, jos hänen tilaansa tulee muutoksia.



Välttyäksesi pulttiliitosten pettämisestä tai löytymisestä aiheutuville vahingoilta varmista, että pultin kierteet puhdistetaan huolellisesti ennen jokaista asennuskertaa.



Käytä aina Loctite-kierrelukitetta ja kiristä pultit ilmoitettuun kiristysmomenttiin. Älä koskaan käytä vaihtoehtoisia pultteja.



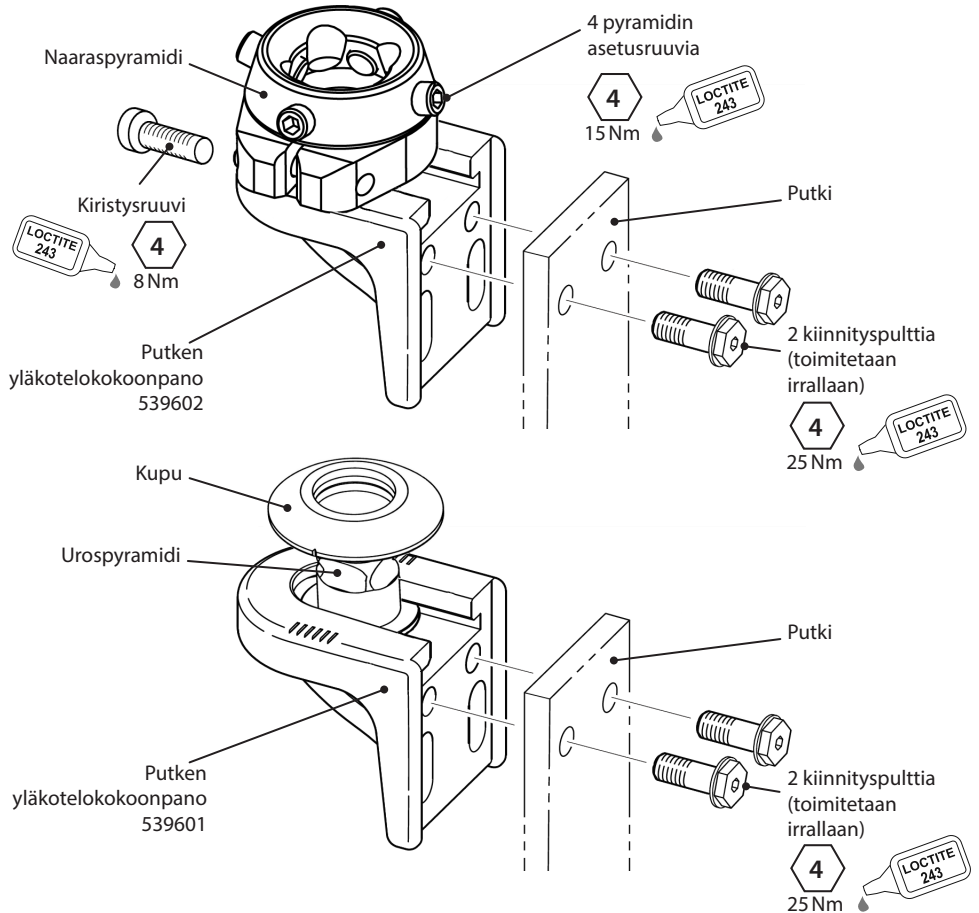
Vain pätevä ammattihenkilö saa koota, huoltaa ja korjata laitetta.

3 Rakenne

Tärkeimmät osat

- Naaraspyramidi titaani
- Pyramidin asetusruuvit pinnoitettu teräs (4 kpl)
- Kaulus/puristusrengas alumiiniseos
- Kiristysruuvi ja välirenkaat pinnoitettu teräs
- Urospyramidi ruostumaton teräs
- Kupu alumiini
- Putken yläkotelokokoonpano alumiini
- Kiinnityspultit titaani (2 kpl)

Osien kuvaus



4 Toiminta

Tämän laitteen avulla uros- tai naaraspyramidin ja sääriverren välinen liitos on pitävä. Kun kiinnityspultit on kiristetty kunnolla (Loctite 243 -kierrelukitteella), laite yhdistää kummatkin raajan osat pitävästi ja optimoi niiden linjauksen sekä mahdollistaa liu'un, kierron ja kulmaliiikkeen.

5 Huolto

Tarkista laite silmämääräisesti säännöllisesti.

Ilmoita kaikista tämän laitteen toiminnassa esiintyvistä muutoksista, kuten poikkeavista äänistä tai merkittävistä kulumisesta proteesiteknikolle/laitevalmistajalle. Liitoksessa ei tulisi olla mitään liikettä.

Ilmoita proteesiteknikolle/laitevalmistajalle, jos painossasi ja/tai aktiivisuustasossasi tapahtuu muutoksia.

Puhdistus

Puhdista ulkopinnat kostealla liinalla ja miedolla saippualla. ÄLÄ käytä voimakkaita puhdistusaineita.

Kuivaa laite AINA huolellisesti suihkun jälkeen, jotta putken yläkotelokokoonpanon T-uraan ei kerry vettä.

Loput tässä kappaleessa annetuista ohjeista on tarkoitettu vain proteesiteknikoille.

Nämä huoltotoimenpiteet saa tehdä vain pätevä ammattihenkilö (proteesiteknikko tai asianmukaisen koulutuksen saanut apuvälineteknikko).

Seuraavat säännölliset huoltotoimenpiteet täytyy tehdä vähintään kerran vuodessa:

- Tarkista kiinnityspulttien kireys. Jos ne ovat löysällä, poista ja puhdista ne, sivele Loctite 243 -kierrelukitetta ja kiristä oikeaan kiristysmomenttiin, ks. *Rakenne*-kohta.
- Tarkista, näkykö vikoja, jotka voivat heikentää toimintaa.
- Tarkista, näkykö korroosiosta.

Varmista, että käyttäjä on lukenut ja ymmärtää kaikki turvallisuusohjeet sekä käyttäjän tehtäviin huoltotoimenpiteisiin liittyvät ohjeet.

Kerro käyttäjälle, että on suositeltavaa tarkistaa laite säännöllisesti silmämääräisesti ja että toimintaan vaikuttavien kulumien (esim. merkittävä kuluminen tai korroosio) merkeistä tulee ilmoittaa laitevalmistajalle.

Pyydä käyttäjää ilmoittamaan proteesiteknikolle/laitevalmistajalle, jos hänen painossaan ja/tai aktiivisuustasossaan tapahtuu muutoksia.

Jos tätä laitetta käytetään vaativassa toiminnassa, huollon taso ja huoltovälit tulee arvioida uudelleen ja tarvittaessa tulee pyytää neuvoa ja teknistä tukea uuden huolto-ohjelman suunnitteluun, riippuen toiminnan toistuvuudesta ja luonteesta. Asianmukaisesti pätevän henkilön tulee määrittää tämä paikallisen riskiarvioinnin perusteella.

6 Käyttöä koskevat rajoitukset

Kestoikä

Toimintaan ja käyttöön perustuva paikallinen riskiarviointi tulee tehdä.

Kantokyky

Käyttäjän painolle ja toiminnalle on asetettu raja-arvot.

Käyttäjän kokonaispainon tulee perustua paikalliseen riskiarviointiin.

Ympäristö

539601 (uros)

Laitte on vedenpitävä yhteen metriin asti. Jos laitetta on käytetty hankaavia materiaaleja, kuten hiekkaa, sisältävässä ympäristössä, huuhtelee perusteellisesti puhtaalla vedellä, jotta välttyt liikkuvien osien kulumiselta ja vahingoittumiselta. Huuhtelee perusteellisesti puhtaalla vedellä, jos laitetta on käytetty suolaisessa tai klooripitoisessa vedessä.

Kuivaa laite AINA huolellisesti suihkun jälkeen, jotta putken yläkotelokoonpanon T-uraan ei kerry vettä.

Sallittu käyttölämpötila -15–50 °C.



Saa kastua

539602 (naaras)

Laitetta voi käyttää suihkuproteesina, mutta sitä ei ole suunniteltu pitkäaikaiseen vedessä oloon. Jos laite joutuu kosketukseen suola- tai klooripitoisen veden kanssa, se tulee huuhdella puhtaalla vedellä ja kuivata. Vähäinen pintakorrosio ei vaikuta laitteen toimintaan tai turvallisuuteen. Jos voimakasta korroosiota esiintyy, lopeta laitteen käyttö ja ota yhteyttä proteesiteknikkoon.

Kuivaa laite AINA huolellisesti suihkun jälkeen, jotta putken yläkotelokoonpanon T-uraan ei kerry vettä.

Sallittu käyttölämpötila -15–50 °C.



Voi käyttää suihkussa

7 Sovitusta koskevia ohjeita

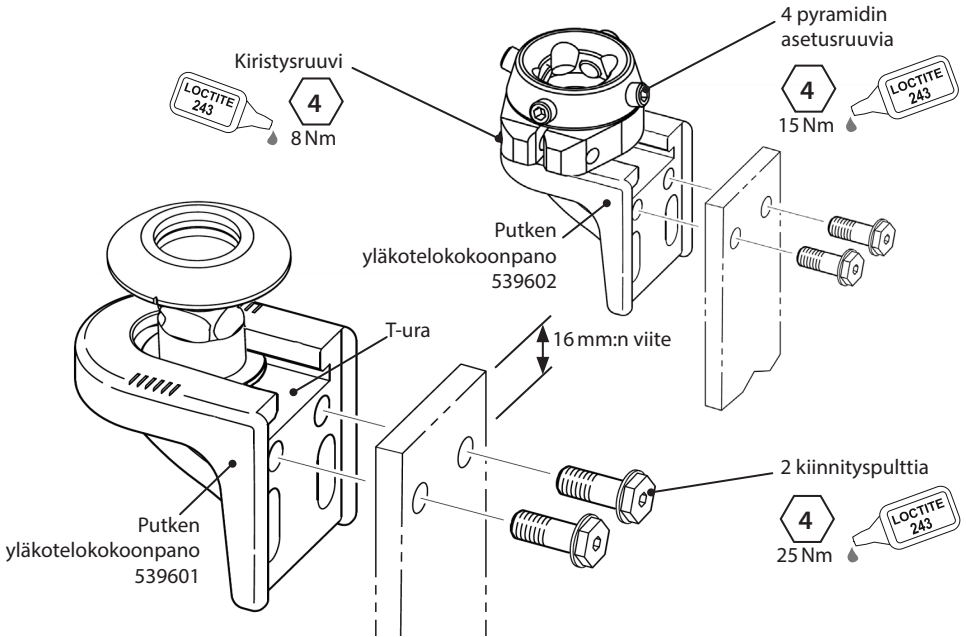
Tässä kappaleessa esitetyt ohjeet on tarkoitettu vain proteesitekniikoille.

Pituuden ja linjauksen optimointia varten on saatavana kiinnitysteline (941255). Näin proteesin linjaus voidaan viimeistellä varmistaen mukavuus, toiminta ja toimivuus yhdessä tarvittavan uros-/naarapyramidiadapterin kanssa. Aseta mahdollisimman lähelle viitelinjaa.

Siirtoadapteri

Katso katkaisu- ja porausohjeet dynaamisen putken asennusohjeista.

Laita siirtoadapteri T-uraan tarvittaessa. Kiinnitä kotelo varmistaen, että putki ei ole adapterin yläpintaa korkeammalla.



Kiinnityspultit

Sarjan mukana toimitetaan kaksi kiinnityspulttia, joiden avulla osat yhdistetään.

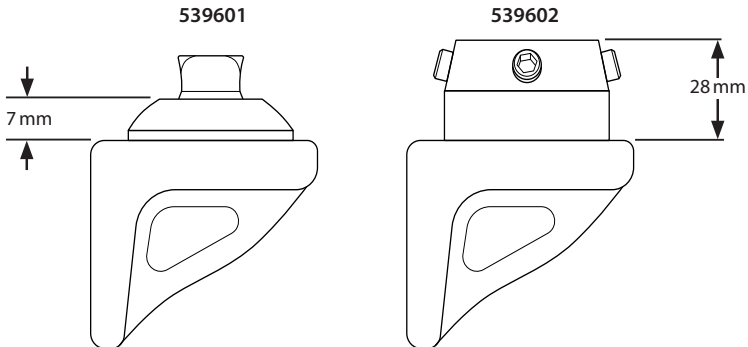
Laita Loctite 243 -kierrelukitetta kaikkien ruuvien kierteisiin ja kiristä oikeaan kiristysmomenttiin.

Ongelma	Ratkaisu
Laitteen liitospinnoista kuuluu toistuvasti ääntä.	Puhdista laitteen liitokset. Levitä Loctite-kierrelukitetta ja kiristä pultit oikeaan kiristysmomenttiin.
Adapteri liikkuu pois paikaltaan.	Laitetta ei saa käyttää ennen kuin se on säädetty, korjattu tai vaihdettu uuteen.

8 Tekniset tiedot

	539601	539602
Käyttö- ja säilytyslämpötila-alue:	-15–50°C	-15–50°C
Paino:	165 g	240 g
Aktiivisuustaso:	1–4	1–4
Suurin sallittu käyttäjän paino:	tasot 1–3: 166 kg Aktiivisuustaso 4: 130 kg	tasot 1–3: 166 kg Aktiivisuustaso 4: 130 kg
Säätöalue:	kallistus pystysuunnasta $\pm 7^\circ$ A–P-liike ± 15 mm	kallistus pystysuunnasta $\pm 7^\circ$ A–P-liike ± 15 mm
Proksimaalinen kiinnitys:	urospyramidi (Blatchford)	naaraspyramidi (Blatchford)
Rakenteen korkeus:	7 mm	28 mm

Sovituspituus



Säilytys ja käsittely

Pitkäaikainen säilytys huoneenlämpötilassa ja kosteudelta suojattuna.

9 Tilaustiedot

Laite	Osanumero
Dynaamisen putken yläkotelo (uros) pyöreällä profiililla	539601
Dynaamisen putken yläkotelo (naaras) pyöreällä profiililla	539602

Vastuu

Valmistaja suosittelee, että laitetta käytetään ainoastaan ilmoitetuissa olosuhteissa ja aiottuun käyttötarkoitukseen. Laitetta täytyy huoltaa laitteen mukana toimitettujen käyttöohjeiden mukaisesti. Valmistaja ei ole vastuussa mistään haitallisista seuraamuksista, jotka johtuvat sellaisten osakokoonpanojen käytöstä, joita valmistaja ei ole hyväksynyt.

CE-vaatimustenmukaisuus

Tämä tuote täyttää lääkinnällisistä laitteista annetun Euroopan unionin säädöksen 2017/745 vaatimukset. Tämä tuote on luokiteltu luokan I tuotteeksi kyseisen säädöksen liitteen VIII luokituskriteerien mukaisesti. Todistus EU:n vaatimustenmukaisuusvakuutuksesta löytyy osoitteesta: www.blatchford.co.uk



Lääkinnällinen laite



Yhdelle potilaalle, kestäväkäyttöinen

Yhteensopivuus

Blatchfordin omien tuotteiden käyttö on hyväksytty edellyttäen että ne on testattu asiaankuuluvien standardien ja MDR-asetuksen mukaisesti käsittäen myös rakenteellisen testin, mittojen yhteensopivuuden ja valvotun kenttätoimivuuden.

Vaihtoehtoisia CE-merkittyjä tuotteita käytettäessä täytyy ottaa huomioon proteesiteknikon tekemä dokumentoitu paikallinen riskiarviointi.

Takuu

Tällä laitteella on 24 kuukauden takuu.

Käyttäjän tulee olla tietoinen siitä, että takuu, käyttö lupa ja erityisluvut voidaan mitätöidä, jos laitteeseen tehdään muutoksia tai muunnoksia, joita ei ole erikseen hyväksytty.

Tämänhetkiset täydelliset takuutiedot löytyvät Blatchfordin verkkosivustolta.

Vakavista tapahtumista ilmoittaminen

Jos tähän laitteeseen liittyvä vakava tapahtuma sattuu (mikä on hyvin epätodennäköistä), asiasta tulee ilmoittaa valmistajalle ja kansalliselle toimivaltaiselle viranomaiselle.

Ympäristötiedot

Tämä tuote on valmistettu kierrätettävästä materiaalista. Osat tulee kierrättää, mikäli mahdollista, paikallisten jätehuoltomääräysten mukaisesti.

Pakkausetiketin säilyttäminen

On suositeltavaa, että proteesiteknikko säilyttää pakkausetiketin tiedoksi tulevan varalle.

Tavaramerkkejä koskevat tiedot

Blatchford on Blatchford Products Limitedin rekisteröity tavaramerkki.

Valmistajan rekisteröity osoite

Blatchford Products Limited, Lister Road, Basingstoke RG22 4AH, Iso-Britannia.

Innehåll	38
1 Beskrivning och avsett syfte	39
2 Säkerhetsinformation	40
3 Konstruktion	41
4 Funktion.....	42
5 Underhåll.....	42
6 Begränsningar av användningen	43
7 Inpassningsråd	44
8 Tekniska uppgifter	45
9 Beställningsinformation	45

1 Beskrivning och avsett syfte

Denna bruksanvisning är avsedd för användning av läkare och brukare om inget annat anges. Termen *enhet* används genomgående för att referera till den dynamiska pylonen för övre hölje. Läs och se till att du förstår hela bruksanvisningen, särskilt all säkerhetsinformation och alla underhållsinstruktioner.

Användningssätt

Denna enhet får endast användas som en del av en modulär underbensprotes. Den är avsedd för en enda brukare.

Enheten är utformad för att anslutas till annan Blatchford-godkänd protesteknik (Elite Blade eller Javelin) och ge en säker anslutning med glidande och roterande justering.

Funktioner

- Lätt, stark aluminium- och titankonstruktion

Aktivitetsnivå

Den här enheten är lämplig för aktivitetsnivåerna 1–4 (viktgränser gäller, se *Tekniska uppgifter*). Det finns naturligtvis undantag och i vår rekommendation vill vi tillåta unika, individuella omständigheter. Varje sådant beslut bör fattas med en sund och grundlig motivering.

Aktivitetsnivå 1

Har förmåga eller potential att använda protes för förflyttning eller rörlighet på plana ytor i jämn takt. Typiskt för en patient som rör sig begränsat eller obegränsat i hemmet.

Aktivitetsnivå 2

Har förmåga eller potential att förflytta sig förbi låga hinder i miljön som trottoarkanter, trappor eller ojämna ytor. Typiskt för en patient som rör sig begränsat ute i samhället.

Aktivitetsnivå 3

Har förmåga eller potential att förflytta sig i variabel takt. Typiskt för en person som har förmåga att ta sig förbi de flesta hinder i miljön och som kan bedriva yrkesmässig, terapeutisk eller motionsinriktad aktivitet som kräver att protesen kan användas för mer än bara enkel förflyttning.

Aktivitetsnivå 4

Har förmåga eller potential att förflytta sig med hjälp av en protes som överskrider den grundläggande rörelseförmågan och har höga stöt-, belastnings- eller energinivåer. Typiskt för behovet av protes hos ett barn, en aktiv vuxen eller en idrottsman.

Kontraindikationer

Det finns inga kända kontraindikationer om enheten används i enlighet med dessa instruktioner.

Klinisk nytta

- Möjliggör anslutning från ett blad till annan Blatchford-godkänd protesteknik.

2 Säkerhetsinformation



Denna varningssymbol visas vid viktig säkerhetsinformation som måste följas noggrant.



Eventuella förändringar av extremitetens prestanda eller funktion, t.ex. begränsad rörelse, osmidig rörelse, glapp eller ovanliga ljud, ska omedelbart rapporteras till din serviceleverantör.



Använd alltid ett räcke när du går nedför trappor och vid andra tillfällen om det finns något.



539601 (hane) är utformad för långvarig nedsänkning i vatten och passar endast för nedsänkning i sötvatten. Se till att all användning av enheten i vatten uppfyller de villkor som anges i *Begränsningar av användningen*.



539602 (hona) kan användas som duschprotes, men är inte utformad för långvarig nedsänkning i vatten. Efter kontakt med vatten ska den omedelbart torkas torr. Om den här enheten kommer i kontakt med saltvatten eller klorerat vatten ska den sköljas med sötvatten och torkas. Se till att all användning av enheten i vatten uppfyller de villkor som anges i *Begränsningar av användningen*.



Brukaren får inte justera eller manipulera enhetens inställningar.



Brukaren rekommenderas att kontakta sin läkare om hens tillstånd förändras.



För att minska risken för skador på grund av fel eller lossning av bultanslutningarna ska du se till att bultgängorna rengörs ordentligt före varje installation.



Använd alltid Loctite och applicera angivet vridmoment på bultarna. Använd aldrig en alternativ bult.



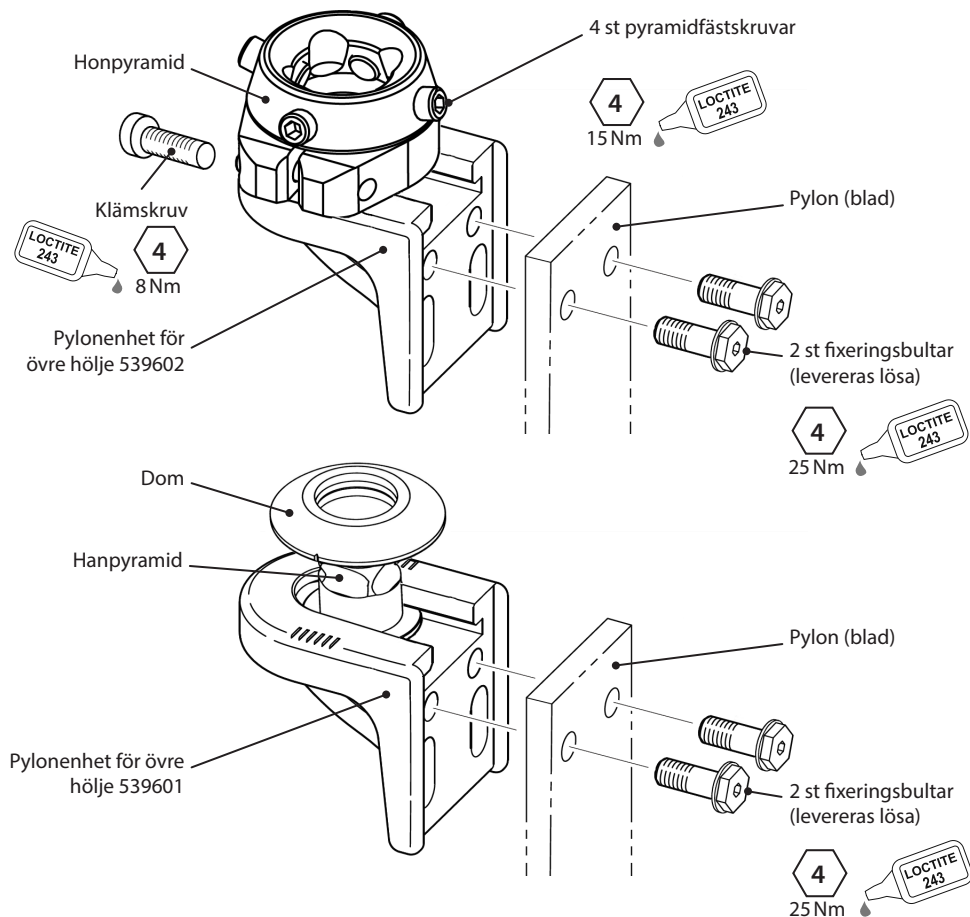
Montering, underhåll och reparation av enheten får endast utföras av behörig vårdpersonal.

3 Konstruktion

Huvuddelar

- Honpyramid Titan
- Pyramidfästskruvar Pläterat stål (4 st)
- Krage/klämring Aluminiumlegering
- Klämskruv och insatser Pläterat stål
- Hanpyramid Rostfritt stål
- Dom Aluminium
- Pylonenhet för övre hölje Aluminium
- Fixeringsbultar Titan (2 st)

Identifiering av komponenter



4 Funktion

Den här enheten ger en säker anslutning mellan en han- eller honpyramid och en transtibial bladprotes. När fixeringsbultarna dragits åt ordentligt med användning av Loctite 243 ger denna enhet ett säkert sätt, med glidande, roterande eller vinklade rörelser, att ansluta och optimera inriktningen mellan extremitetens båda delar.

5 Underhåll

Inspektera enheten regelbundet.

Rapportera eventuella förändringar av enhetens prestanda till läkaren/serviceleverantören, t.ex. ovanliga ljud eller stort slitage. Det ska inte förekomma några rörelser vid denna kontaktyta. Informera läkaren/serviceleverantören om eventuella förändringar av kroppsvikt och/eller aktivitetsnivå.

Rengöring

Använd en fuktig trasa och mild tvål för att rengöra utsidan. Använd INTE starka rengöringsmedel.

Torka ALLTID enheten noga efter dusch för att förhindra att vatten samlas i "T"-uttaget på pylonenheten för övre hölje.

Övriga instruktioner i det här avsnittet är endast avsedda för läkaren.

Detta underhåll får endast utföras av kompetent personal (praktiserande läkare eller lämpligt utbildad tekniker).

Följande rutinunderhåll ska utföras minst en gång om året:

- Kontrollera att fixeringsbultarna är ordentligt åtdragna. Om de sitter löst tar du loss och rengör dem. Applicera sedan Loctite 243 och dra åt till rätt vidmoment, se avsnitt *Konstruktion*.
- Kontrollera om det finns några defekter som skulle kunna påverka funktionen.
- Kontrollera om det förekommer rost.

Se till att brukaren har läst och förstått all information om säkerhet och underhåll på brukarnivå.

Informera brukaren om att en regelbunden visuell kontroll av enheten rekommenderas och att tecken på slitage som kan påverka funktionen ska rapporteras till serviceleverantören (t.ex. betydande slitage eller rost).

Säg åt brukaren att informera läkaren/serviceleverantören om eventuella förändringar av kroppsvikt och/eller aktivitetsnivå.

Om enheten används för extrem aktivitet bör underhållsnivån och -intervallen ses över och vid behov bör råd och teknisk support sökas för att planera ett nytt underhållsschema utifrån aktivitetens frekvens och art. Detta bör fastställas genom en lokal riskbedömning som utförs av en person med lämpliga kvalifikationer.

6 Begränsningar av användningen

Avsedd livslängd

En lokal riskbedömning bör utföras på grundval av aktivitet och användning.

Lyft av laster

Brukarens vikt och aktivitet styrs av de angivna gränserna.

Den belastning som brukaren transporterar ska baseras på en lokal riskbedömning.

Miljö

539601 (hane)

Den här enheten är vattentät ned till ett djup på högst 1 meter. Skölj den noga med rent sötvatten efter användning i nötande miljöer, t.ex. sådana där sand eller grus kan förekomma, för att förhindra slitage eller skador på rörliga delar. Skölj den noga med rent sötvatten efter användning i salt eller klorerat vatten.

Torka ALLTID enheten noga efter dusch för att förhindra att vatten samlas i "T"-uttaget på pylonenheten för övre hölje.

Får endast användas mellan -15 °C och 50 °C.



Lämplig för nedsänkning i vatten

539602 (hona)

Enheten kan användas som duschprotas, men är inte utformad för långvarig nedsänkning i vatten. Om den här enheten kommer i kontakt med saltvatten eller klorerat vatten ska den sköljas med sötvatten och torkas. Lätt korrosion på ytan påverkar inte enhetens funktion eller säkerhet. Men om korrosionen blir kraftig ska du sluta använda enheten och kontakta din läkare.

Torka ALLTID enheten noga efter dusch för att förhindra att vatten samlas i "T"-uttaget på pylonenheten för övre hölje.

Får endast användas mellan -15 °C och 50 °C.



Lämplig för användning i dusch

7 Inpassningsråd

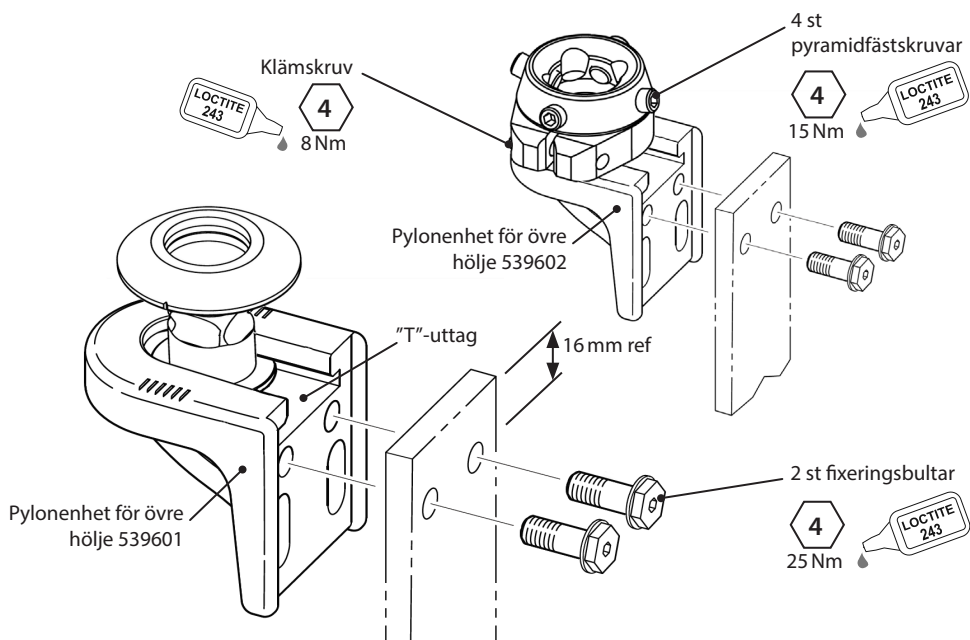
Instruktionerna i det här avsnittet är endast avsedda för läkaren.

En inpassningsjigg (941255) finns tillgänglig för att optimera längd och inriktning. Inriktningen av protesen kan slutföras för komfort, funktion och prestanda tillsammans med den han/honpyramidadapter som krävs. Placera så nära påbyggnadslinjen som möjligt.

Skiftesadapter

Se lämpliga inpassningsinstruktioner för den dynamiska pylonen för information om kaping/borning.

För in relevant skiftesadapter i "T"-uttaget om det behövs. Montera höljet och se till att pylonen inte sticker ut ovanför adapterns övre yta.



Fixeringsbultar

Två fixeringsbultar medföljer satsen för montering på motsvarande komponent.

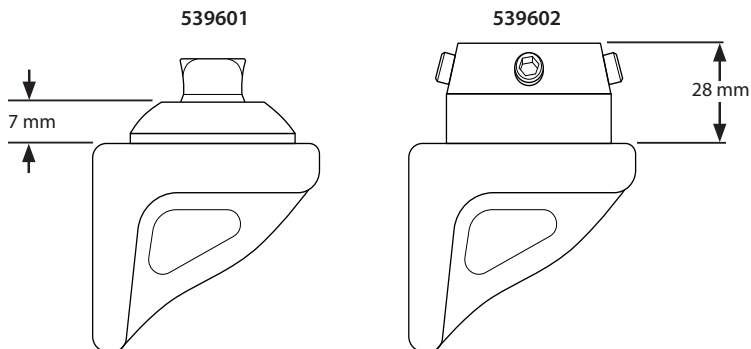
Applicera Loctite 243 på alla skruvgångar och dra åt till korrekt vridmoment.

Symptom	Lösning
Ett återkommande ljud uppstår mellan enhetens gränssytor.	Rengör enhetens kontaktytor. Applicera Loctite och dra åt bultarna till rätt vridmoment.
Adaptern rubbas ur sitt läge.	Brukaren får inte använda enheten förrän den har justerats, reparerats eller bytts ut.

8 Tekniska uppgifter

	539601	539602
Temperatur vid drift och förvaring:	-15 °C till 50 °C	-15 °C till 50 °C
Komponentvikt:	165 g	240 g
Aktivitetsnivå:	1–4	1–4
Maximal brukarvikt:	Nivå 1–3: 166 kg Nivå 4: 130 kg	Nivå 1–3: 166 kg Nivå 4: 130 kg
Justeringsintervall:	±7° lutning från vertikalt läge ±15 mm förskjutning A–P	±7° lutning från vertikalt läge ±15 mm förskjutning A–P
Proximal infästning:	Hanpyramid (Blatchford)	Honpyramid (Blatchford)
Påbyggnadshöjd:	7 mm	28 mm

Inpassningslängd



Förvaring och hantering

Vid långvarig förvaring ska du se till att produkten är fri från fukt och förvaras i rumstemperatur.

9 Beställningsinformation

Enhet	Artikelnummer
Dynamisk pylon för övre hölje (hane), rund profil	539601
Dynamisk pylon för övre hölje (hona), rund profil	539602

Ansvar

Tillverkaren rekommenderar att enheten endast används under angivna förhållanden och för avsedda ändamål. Enheten måste underhållas i enlighet med de instruktioner som medföljer enheten. Tillverkaren ansvarar inte för eventuella negativa resultat som orsakas av komponentkombinationer som tillverkaren inte har godkänt.

CE-överensstämmelse

Denna produkt uppfyller kraven i EU-förordningen 2017/745 för medicintekniska produkter. Denna produkt är klassificerad som en klass I-produkt enligt de klassificeringsregler som anges i Bilaga VIII till förordningen. EU-försäkran om överensstämmelse finns på följande internetadress: www.blatchford.co.uk



Medicinteknisk utrustning



En patient – flera användningar

Kompatibilitet

Kombination med Blatchford-märkta produkter är godkänt baserat på tester i enlighet med relevanta standarder och MDR, inklusive strukturellt test, dimensionell kompatibilitet och övervakade fältprestanda.

Kombination med alternativa CE-märkta produkter måste utföras med hänsyn till en dokumenterad lokal riskbedömning som utförts av en praktiserande läkare.

Garanti

Den här enheten har 24 månaders garanti.

Brukaren bör vara medveten om att ändringar eller modifieringar som inte uttryckligen godkänts kan upphäva garantin, användningslicenserna och undantagen.

På Blatchfords webbplats finns aktuell fullständig garanti.

Rapportering av allvarliga incidenter

Om det mot förmodan skulle inträffa en allvarlig incident i samband med den här enheten ska denna rapporteras till tillverkaren och den nationella behöriga myndigheten.

Miljöaspekter

Den här produkten är tillverkad av ett återvinningsbart material. Om möjligt ska komponenterna återvinnas i enlighet med lokala föreskrifter för avfallshantering.

Spara förpackningsetiketten

Praktiserande läkare rekommenderas att spara förpackningsetiketten som journal över den levererade enheten.

Varumärkesinformation

Blatchford är ett registrerat varumärke som tillhör Blatchford Products Limited.

Tillverkarens registrerade adress

Blatchford Products Limited, Lister Road, Basingstoke RG22 4AH, Storbritannien.

Содержание

RU

Содержание	47
1 Описание и Основное Назначение	48
2 Техника Безопасности.....	49
3 Конструкция	50
4 Функциональность	51
5 Техническое Обслуживание.....	51
6 Ограничения при Эксплуатации	52
7 Руководство по Сборке	53
8 Спецификация	54
9 Информация для Заказа.....	54

1 Описание и Основное Назначение

Если не оговорено иное, данная инструкция по эксплуатации предназначена для протезиста и пользователя.

Термин *устройство* относится к *Верхнему корпусу для динамического модуля голени (пилона)* и будет использован далее в настоящей инструкции.

Пожалуйста, внимательно прочитайте данную инструкцию и убедитесь в том, что вам все понятно в ней, особое внимание следует уделить разделам, посвященным Технике безопасности и Техническому обслуживанию.

Область Применения

Данное устройство должно использоваться исключительно как составная часть протеза нижней конечности, устройство предназначается для индивидуального использования.

Устройство предназначено для соединения с другими, разрешенными компанией Blatchford, протезными компонентами (стопы Elite Blade или Javelin) и обеспечивает надежное и безопасное соединение с возможностью проведения сдвиговой или вращательной юстировок.

Особенности

- Небольшой вес, высокая прочность, конструкция из алюминиевого и титанового сплава

Уровень Двигательной Активности

Данное устройство подходит для Уровня Двигательной Активности от 1-4 (ограничения по весу приведены в разделе Спецификация). Однако с учетом отдельных обстоятельств существуют индивидуальные исключения для некоторых пользователей, однако это назначение должно быть оправданным и приниматься с учетом общего состояния здоровья.

Уровень Двигательной Активности 1

Пользователь обладает способностью или имеет достаточный потенциал для перемещения на протезе по ровной опорной поверхности с фиксированным темпом ходьбы. Данный уровень типичен для пользователей, которые могут ограниченно или неограниченно перемещаются в пределах помещения.

Уровень Двигательной Активности 2

Пользователь обладает способностью или имеет достаточный потенциал для перемещения на протезе, а также обладает способностью преодолевать невысокие естественные препятствия, такие как бордюры, ступени лестниц или неровные поверхности. Данный уровень типичен для пользователей, которые ограниченно перемещаются вне пределов помещения.

Уровень Двигательной Активности 3

Пользователь обладает способностью или имеет достаточный потенциал для перемещения на протезе в переменном темпе вне помещения. Данный уровень типичен для пользователей, которые могут преодолевать большинство естественных препятствий, а также имеющих дополнительные потребности при использовании протеза не только для простого перемещения, но например, при ведении профессиональной деятельности, прохождении лечебно-профилактических процедур или занятий любительским спортом.

Уровень Двигательной Активности 4

Пользователь обладает способностью или имеет достаточный потенциал для перемещения на протезе вне помещения, превышающий базовые типы перемещений, и сталкивающийся с повышенными вертикальными ударными воздействиями, связанными с высокой нагрузкой на протез при ходьбе. Данный уровень типичен для детей, активных взрослых или спортивных пользователей.

Противопоказания

Не существует никаких противопоказаний для данного устройства, если все работы с ним производятся в соответствии с настоящей инструкцией.

Клинические Преимущества

- Устройство позволяет соединять динамический несущий модуль голени с другими, разрешенными компанией Blatchford, протезными компонентами.

2 Техника Безопасности



Данным символом обозначаются наиболее важные правила, которые должны соблюдаться неукоснительно.



Пользователь обязан незамедлительно доложить своему протезисту/врачу о любых ощутимых изменениях в работе или функциональности данного устройства, например, ограничении движения, неплавном перемещении, чрезмерном люфте или появлении посторонних шумов.



При спуске по ступеням лестницы, а также в любых других случаях, когда это возможно, пользователь всегда должен использовать перила.



Устройство 539601 (адаптер-пирамидка) предназначено для длительного погружения в воду и для принятия водных процедур, но подходит только для пресной воды. Убедитесь, что любое использование устройства в воде соответствует условиям, указанным в разделе *Ограничения при Эксплуатации*.



Устройство 539602 (адаптер под пирамидку) может использоваться в составе протезной системы для принятия водных процедур, однако не подходит для длительного погружения в воду. После контакта с водой устройство следует как можно быстрее вытереть его насухо. Если устройство входило в контакт с соленой или хлорированной водой, его следует промыть пресной водой и высушить. Убедитесь, что любое использование устройства в воде соответствует условиям, указанным в разделе *Ограничения при Эксплуатации*.



Пользователь не имеет права самостоятельно настраивать устройство или вмешиваться в его настройки.



Пользователь обязан сообщить своему протезисту о любых ощутимых изменениях своего состояния: веса и/или уровня двигательной активности, например при переезде из городской в сельскую местность.



Для уменьшения потенциального риска получения травмы из-за поломки или ослабления болтовых соединений, перед каждой установкой убедитесь в том, что все резьбы болтовых соединений тщательно очищены от загрязнений.



При затяжке крепежных болтов всегда применяйте резьбовой фиксатор Loctite, а болты всегда затягивайте только с заданным усилием момента затяжки (см. данную инструкцию по эксплуатации). Категорически запрещается заменять болты на альтернативные.



К установке, настройке, техническому обслуживанию и ремонту устройства допускается только специально обученный и сертифицированный в учебных центрах Blatchford персонал.

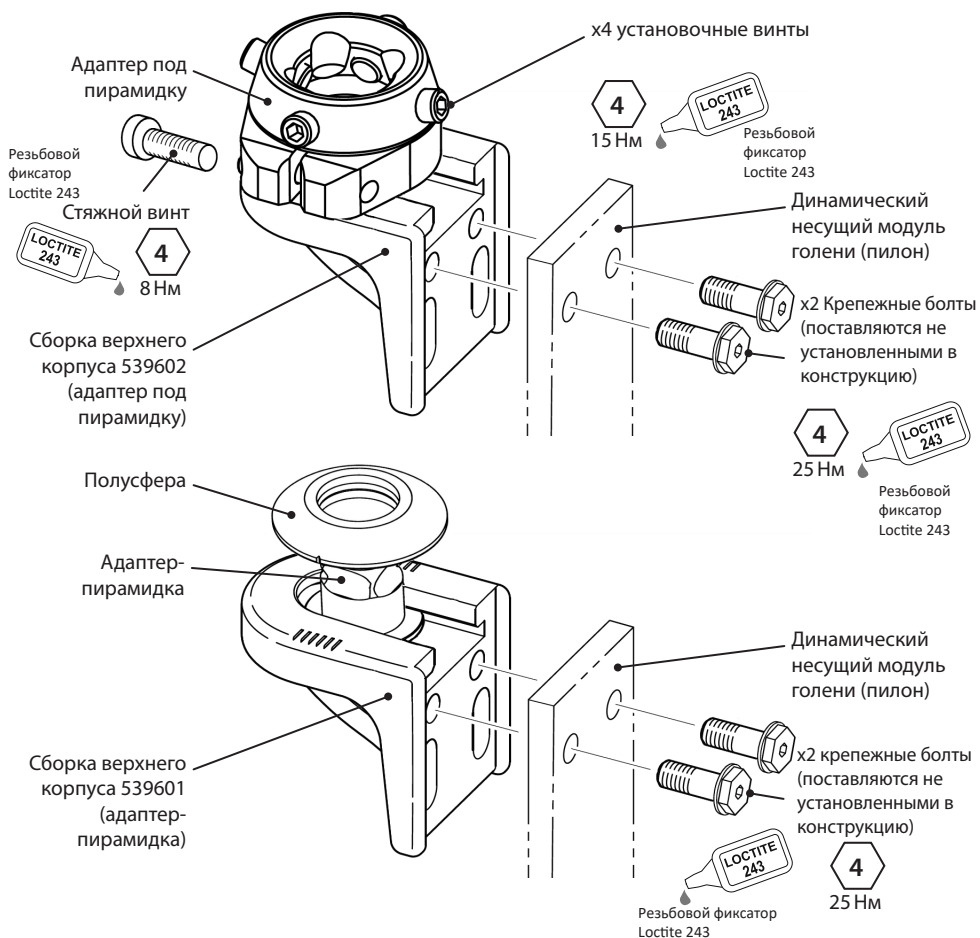
3 Конструкция

Составные части устройства

- Адаптер под пирамидку
- Установочные винты
- Хомут/Стяжное кольцо
- Стяжной винт и вставки
- Адаптер-пирамидка
- Полусфера
- Сборка верхнего корпуса
- Крепежные болты

- Титановый сплав
- Плакированная сталь (x4)
- Алюминиевый сплав
- Плакированная сталь
- Нержавеющая сталь
- Алюминиевый сплав
- Алюминиевый сплав
- Титановый сплав (x2)

Компоненты устройства



4 Функциональность

Данное устройство обеспечивает надежное и безопасное соединение между адаптером-пирамидкой или адаптером под пирамидку и протезными системами с динамическим модулем голени. При надежной затяжке крепежных болтов с использованием резьбового фиксатора Loctite 243 данное устройство обеспечивает надежное и безопасное соединение и оптимальную юстировку двух модульных компонентов протеза нижней конечности, а также предоставляет сдвиговую, вращательную и угловую юстировки.

5 Техническое Обслуживание

Регулярно производите визуальный осмотр устройства.

При обнаружении ощутимых изменениях в работе устройства, например, посторонние необычные шумы или излишний износ пользователь обязан немедленно сообщить об этом своему протезисту. Любой люфт или движение в области гильзового интерфейса недопустимы.

Сообщите своему протезисту о любых значимых изменениях в массе тела и/или уровне двигательной активности (например, при переезде на постоянное место жительства из городской в сельскую местность).

Очистка от Загрязнений

Для очистки внешней поверхности устройства используйте влажную не ворсистую ткань и детское мыло. НЕ ИСПОЛЬЗУЙТЕ агрессивные моющие средства.

ВСЕГДА тщательно просушивайте устройство после принятия водных процедур, это необходимо для того, чтобы предотвратить скопление воды в «Т»-образном пазе сборки верхнего корпуса для динамического модуля голени (пилона).

Последующие инструкции данного раздела предназначены только для протезиста.

К техническому обслуживанию устройства допускается только персонал, прошедший обучение в учебных центрах Blatchford и имеющий соответствующий сертификат (протезист или врач).

Рекомендуется как минимум ежегодно проводить следующие мероприятия по техническому обслуживанию:

- Проверить надежность затяжки крепежных болтов. Если они ослаблены, извлеките их, очистите от загрязнений, нанесите на резьбу небольшое количество резьбового фиксатора Loctite 243 и установите обратно, затянув с корректным усилием крутящего момента, см. Раздел *Конструкция*.
- Проверить устройство на обнаружение дефектов, способных отрицательно повлиять на функциональность устройства.
- Проверить устройство на обнаружение следов коррозии.

Убедитесь в том, что пользователь внимательно ознакомился и осознал касающуюся его информацию, посвященную технике безопасности и техническому обслуживанию.

Пользователь должен быть предупрежден о необходимости регулярного визуального осмотра устройства на предмет обнаружения износа или дефектов, способных повлиять на функциональность устройства, при обнаружении таковых дефектов необходимо сообщить об этом своему протезисту/врачу (например, при значительном износе или коррозии).

Предупредите пользователя, что о любых значимых изменениях в массе тела и/или уровне двигательной активности (например, при переезде на постоянное место жительства из городской в сельскую местность), он обязан незамедлительно сообщить своему протезисту.

Если данное устройство предполагается использовать в условиях экстремальной двигательной активности, то уровень и временной интервал проведения технического обслуживания могут быть изменены, в зависимости от частоты и характера двигательной активности. При этом должна быть проведена компетентная индивидуальная оценка степени локального риска.

6 Ограничения при Эксплуатации

Срок службы

Необходимо провести индивидуальную оценку рисков на основании двигательной активности пользователя и ожидаемых условий эксплуатации устройства.

Подъем Тяжестей

Ограничения зависят от веса пользователя и его уровня двигательной активности.

При переносе тяжестей пользователем должна быть учтена локальная оценка степени риска.

Условия Эксплуатации

539601 (адаптер-пирамидка)

Данное устройство является влагозащищенным, его допускается погружать на глубину до 1м. После эксплуатации устройства в абразивных средах, например, таких как песок или пыль, для предотвращения преждевременного износа устройства или повреждения движущихся частей, рекомендуется тщательно промыть устройство чистой пресной водой. После использования устройства в соленой или хлорированной воде, рекомендуется тщательно промыть устройство пресной чистой водой.

ВСЕГДА тщательно просушивайте устройство после принятия водных процедур, это необходимо для того, чтобы предотвратить скопление воды в «Т»-образном пазе сборки верхнего корпуса для динамического модуля голени (пилона).

Устройство допускается эксплуатировать только в температурном диапазоне от -15 °C до +50 °C (от 5 °F до 122 °F).



Влагозащищенное устройство
Подходит для погружения в воду

539602 (адаптер под пирамидку)

Данное устройство допускается использовать для принятия водных процедур, но не предназначается для использования для длительного погружения в воду. После использования устройства в соленой или хлорированной воде, рекомендуется тщательно промыть устройство пресной чистой водой. Небольшая поверхностная коррозия не влияет на функциональность или надежность и безопасность устройства. Однако при обнаружении существенной коррозии пользователь должен немедленно прекратить использование данного устройства и обратиться к своему протезисту.

ВСЕГДА тщательно просушивайте устройство после принятия водных процедур, это необходимо для того, чтобы предотвратить скопление воды в «Т»-образном пазе сборки верхнего корпуса для динамического модуля голени (пилона).

Устройство допускается эксплуатировать только в температурном диапазоне от -15 °C до +50 °C (от 5 °F до 122 °F).



Подходит для принятия
водных процедур

7 Руководство по Сборке

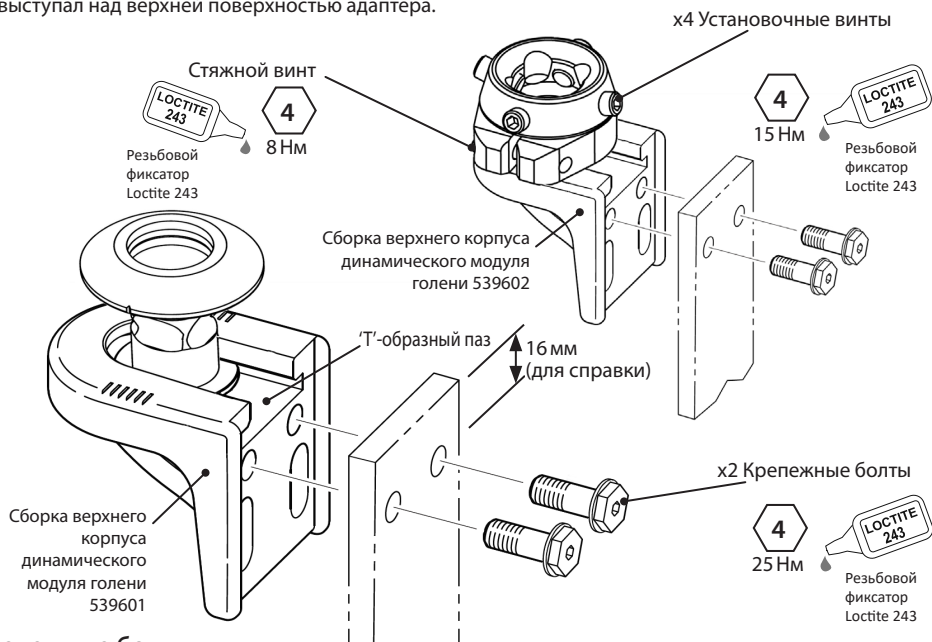
Последующие инструкции данного раздела предназначены только для протезиста.

Для оптимизации длины и юстировки используйте обрезной адаптер-кондуктор (941255). Финальную юстировку протезной системы для обеспечения максимальных комфорта, функциональности и производительности проводят с использованием соответствующего адаптера адаптера-пирамидки/адаптера под пирамидку. Расположите устройство как можно ближе к линии построения протеза.

Сдвиговый адаптер

Информацию о обрезке/сверлении динамического модуля опоры голени (пилона) см. в соответствующих инструкциях по эксплуатации.

При необходимости установите соответствующий сдвиговый адаптер в 'Т'-образный паз. Подсоедините соответствующую сборку верхнего корпуса, следя за тем, чтобы динамический модуль опоры голени не выступал над верхней поверхностью адаптера.



Крепежные болты

В комплекте поставляются два крепежных болта для крепления к сопрягаемому с устройством модульным протезным компонентом.

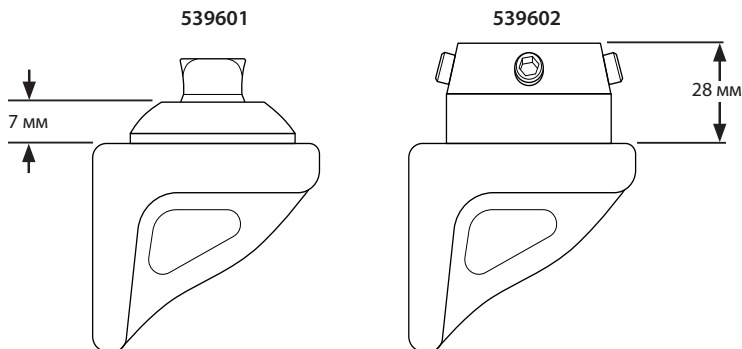
Нанесите резьбовой фиксатор Loctite 243 на резьбу всех болтов и затяните с корректным усилием крутящего момента затяжки.

Симптомы	Решение Проблемы
В области юстировки адаптера возникает повторяющийся шум.	Очистите устройство и область сопряжения с ответной частью от загрязнений. Нанесите на крепежные болты небольшое количество резьбового фиксатора Loctite и затяните болты с корректным значением крутящего момента усилия затяжки.
Устройство потеряло юстировку и перемещается на протезе.	Пользователь не должен использовать устройство до тех пор, пока оно не будет настроено, отремонтировано или заменено.

8 Спецификация

	539601	539602
Температурный Диапазон Хранения и Эксплуатации:	от -15 °С до +50 °С (от 5 °F до 122 °F)	от -15 °С до +50 °С (от 5 °F до 122 °F)
Вес Изделия:	165 г (5.8 унций)	240 г (8.5 унций)
Уровень Двигательной Активности:	1–4	1–4
Максимальный Вес Пользователя:	Уровни 1–3 :166 кг (366 фунтов) Уровень 4: 130 кг (287 фунтов)	Уровни 1–3 :166 кг (366 фунтов) Уровень 4: 130 кг (287 фунтов)
Диапазон Юстировки:	±7° наклон от вертикали ±15 мм сдвиг в плоскости А-Р (Вперед-Назад)	±7° наклон от вертикали ±15 мм сдвиг в плоскости А-Р (Вперед-Назад)
Проксимальное Крепление:	Адаптер-пирамидка (Blatchford)	Адаптер под пирамидку (Blatchford)
Высота Конструкции:	7 мм	28 мм

Сборочные Размеры



Хранение и Транспортировка

При длительном хранении убедитесь, что на устройство не попадает влага, устройство должно храниться при комнатной температуре.

9 Информация для Заказа

Устройство	Шифр
Верхний корпус для динамического модуля голени (пилона), адаптер-пирамидка, скругленный профиль	539601
Верхний корпус для динамического модуля голени (пилона), адаптер под пирамидку, скругленный профиль	539602

Ответственность

Изготовитель рекомендует использовать данное устройство только в указанных условиях и предусмотренных целях. Обслуживание устройства должно проводиться согласно прилагаемой к устройству инструкции по эксплуатации. Производитель не несет ответственности за ущерб, вызванный применением комбинацией компонентов, не разрешенной изготовителем.

Соответствие Стандартам Евросоюза CE

Данное изделие соответствует требованиям Евростандарта EU 2017/745 для медицинских изделий. Данное изделие относится к категории устройств класса I в соответствии с критериями классификации, изложенными в Приложении VIII данного Стандарта. Сертификат соответствия стандартам Евросоюза можно получить на сайте компании: www.blatchford.co.uk



Медицинское
устройство



Индивидуальное многократное
использование

Совместимость

Допускаются комбинации изделий производства компании Blatchford на основании тестирования по соответствующим стандартам, в том числе и стандартам на медицинские устройства (MDR), включая структурные испытания, совместимость размеров и другие контролируемые эксплуатационные характеристики.

Комбинация с альтернативными изделиями, имеющими маркировку соответствия стандартам Евросоюза CE, должна производиться с учетом оценки локальной степени риска, проводимой компетентным специалистом.

Гарантийные Обязательства

Гарантия на данное устройство составляет 24 месяца.

Пользователь должен быть предупрежден о том, что любые изменения в конструкции изделия или его модификация, не согласованные с изготовителем, аннулируют гарантию.

Для получения подробной информации о гарантии, пожалуйста, обратитесь к сайту компании Blatchford.

Побочные Эффекты и Инциденты

Возникновение побочных эффектов и серьезных инцидентов, связанного с данным устройством, маловероятно, тем не менее, в случае возникновения таковых, следует сообщить об этом производителю и представителю Blatchford в вашем регионе.

Экологические Аспекты

Данное устройство изготовлено из перерабатываемых материалов. По возможности утилизируйте устройство, как обычные отходы, в соответствии с правилами местного законодательства по утилизации и обращению с отходами.

Сохранение Этикетки на Упаковке

Протезисту рекомендуется сохранять этикетку на упаковке, поскольку она содержит необходимые данные о поставляемом устройстве.

Торговые марки

Blatchford является зарегистрированной торговой маркой компании Blatchford Products Limited.

Зарегистрированный адрес производителя

Blatchford Products Limited, Lister Road, Basingstoke RG22 4AH, UK.

目录



目录.....	56
1 说明及设计用途	57
2 安全须知.....	58
3 构造	59
4 功能.....	60
5 维护	60
6 使用限制.....	61
7 安装建议.....	62
8 技术数据.....	63
9 订购须知.....	63

1 说明及设计用途

本使用说明供假肢技师和用户使用，除非另有说明。

在本使用说明中频繁出现的“装置”一词用于指代动态连接管顶部外壳。

请确保您阅读并充分理解本使用说明的内容，尤其是安全须知和维护部分。

用途

本装置仅用于模块化下肢假肢；仅供单人使用。

本装置用于连接经 Blatchford 许可的其他假肢产品 (Elite Blade 或 Javelin)，连接稳固，且可进行滑动和旋转调整。

功能及特性

- 轻量化、坚固耐用、铝/钛结构

活动等级

本装置适合 1 至 4 级活动等级的用户 (有体重限制，详见**技术数据**)。当然，也存在例外情况。通过我们的建议，我们希望用户可以根据自身情况实现独特的个性化应用，但应在充分考虑其合理性之后再决定是否使用本装置。

1 级活动等级

具有用假肢以固定步频在水平面上活动或行走的能力或潜力。通常为室内的受限或不受限活动者。

2 级活动等级

具有行走的能力或潜力，能够跨越低矮的环境障碍物，如路缘石、台阶或不平坦表面。通常为社区活动者。

3 级活动等级

具备以不同步频行走的能力或潜力。能够跨越大多数环境障碍物，可能需要在假肢的辅助下从事简单活动以外的职业、治疗或锻炼类活动，通常为社区活动者。

4 级活动等级

具有用假肢行走的能力或潜力，行走技能超过基础水平，表现出高冲击力、应力或能量等级。通常为有假肢需求的儿童、活跃型成年人或运动员。

不适用

按本使用说明使用时不存在已知禁忌。

临床优势

- 可将叶片连接至经 Blatchford 认可的其他假肢产品。

2 安全须知



该警告标志用于强调必须认真遵守的重要安全信息。



假肢的性能或功能若有任何变化，如活动受限、动作不顺畅、间隙过大或出现异响，都应立即报知服务提供商。



下台阶时以及任何其他时间都应始终握好扶手(若有)。



539601 (阳) 专为长时间浸没而设计，但只适合在淡水中浸没。请确保每次在水中使用时都遵守使用限制中的要求。



539602 (阴) 是可在淋浴时使用的假肢，但不适合长时间浸没在水中。与水发生接触后应立即擦干。如果本装置与盐或氯化水发生接触，应用淡水冲洗并彻底干燥。请确保每次在水中使用时都遵守使用限制中的要求。



严禁用户自行调节或改动本装置的设置。



建议用户在身体状况出现变化时及时联系其假肢技师。



为减少因螺栓连接失效或松动而导致的受伤风险，每次安装之前应彻底清洁螺栓上的螺纹。



应始终采用乐泰防松胶，并对螺栓施加指定的扭矩值。不得使用其他类型的螺栓。



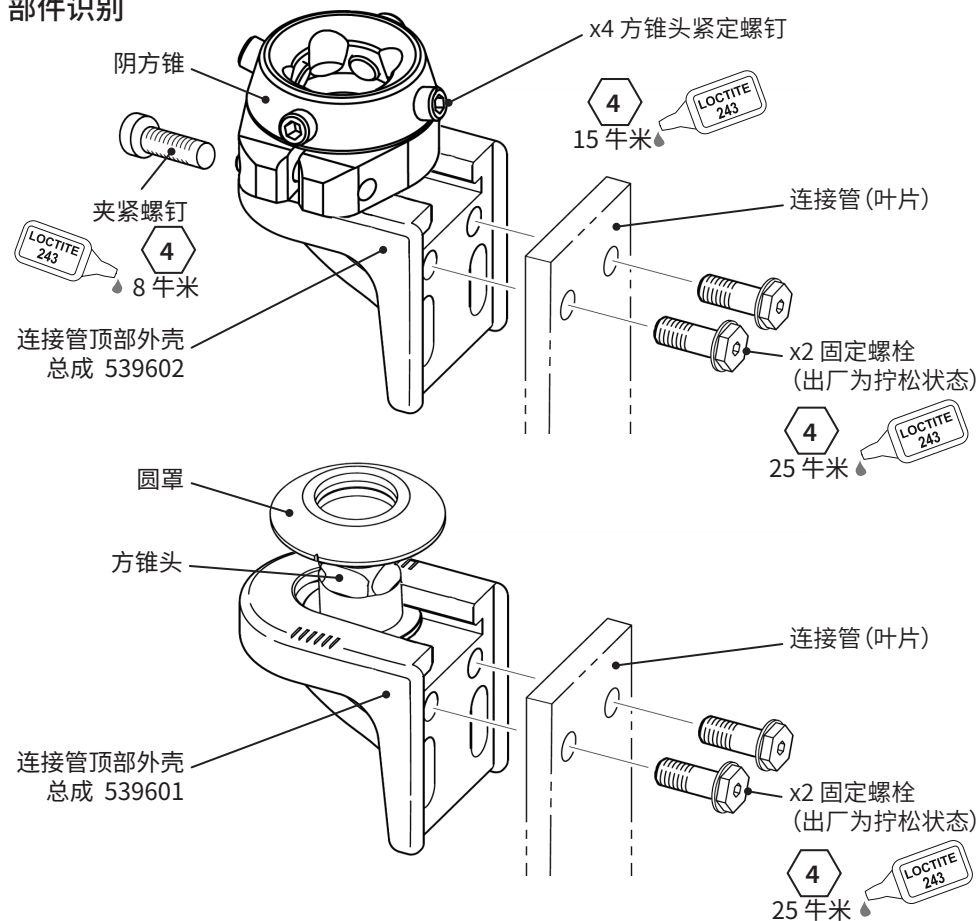
本装置的组装、维护和修理只能由具备适当资质的假肢技师来进行。

3 构造

主要部件

- 阴方锥 钛
- 方锥头紧定螺钉 镀钢 (x4)
- 圈/夹环 铝合金
- 夹紧螺钉和嵌件 镀钢
- 阳方锥 不锈钢
- 圆罩 铝
- 连接管顶部外壳总成 铝
- 固定螺栓 钛 (x2)

部件识别



4 功能

本装置可以稳固地连接阳方锥/阴方锥与小腿截肢用户使用的叶片型假肢。紧定固定螺栓之后,可使用本装置并配合乐泰 243 防松胶来稳固地(可滑动、旋转并变换角度)连接假肢的两个部分并优化对线。

5 维护

定期对本装置进行目视检查。

本装置的性能若有任何变化(如异响、严重磨损),应立即报知假肢技师/服务提供商。此接口处不应当出现移动。

体重和/或活动等级发生任何变化时,都应报知假肢技师/服务提供商。

清洁

用湿布与温性肥皂清洁外表面。不得使用腐蚀性清洁剂。

每次淋浴后务必将本装置彻底干燥,以防连接管顶部外壳总成的 T 型槽内积水。

本节其余内容仅供假肢技师使用。

维护操作只能由合格人员(假肢技师或经过专业训练的技术人员)进行。

以下常规维护操作应至少每年进行一次:

- 检查固定螺栓是否紧固。如有松动,请卸下后进行清洁,然后涂抹乐泰 243 防松胶并拧紧至适当扭矩,详见 **构造** 一节。
- 检查是否存在可能影响正常功能的缺陷。
- 检查是否有腐蚀迹象。

确保用户阅读并理解所有安全和用户级维护信息。

应建议用户定期对本装置进行目视检查,如发现可能影响功能的磨损迹象(如:严重磨损或腐蚀),应报知服务提供商。

告知用户:体重和/或活动等级发生任何变化时,都应报知假肢技师/服务提供商。

如果用于极限活动,应重新考虑本装置的维护等级和维护间隔,必要时应寻求专业建议和技术支持,以便根据活动频率和性质来制定新的维护计划。该计划应由专业人士通过局部风险评估的方式来确定。

6 使用限制

预期使用寿命

应根据活动和使用情况进行局部风险评估。

负重

用户的体重和活动应遵守所述限制。

用户应根据局部风险评估结果进行负重。

环境

539601 (阳)

本装置的最大防水深度为 1 米。在磨蚀性环境(例如含沙/砂环境)中使用后,请用淡水彻底冲洗,以防止磨损或损坏活动部件。在含盐或含氯的水中使用后,请用淡水彻底冲洗本装置。

每次淋浴后务必将本装置彻底干燥,以防连接管顶部外壳总成的 T 型槽内积水。

仅限在 -15°C 至 50°C 范围内使用。

539602 (阴)

本装置是可在淋浴时使用的假肢,但不适合长时间浸没在水中。如果本装置与盐或氯化水发生接触,应用淡水冲洗并彻底干燥。轻微的表面腐蚀不会影响本装置的功能或安全性。不过,如果出现明显的重度腐蚀,应停止使用本装置,并联系您的假肢技师。

每次淋浴后务必将本装置彻底干燥,以防连接管顶部外壳总成的 T 型槽内积水。

仅限在 -15°C 至 50°C 范围内使用。



7 安装建议

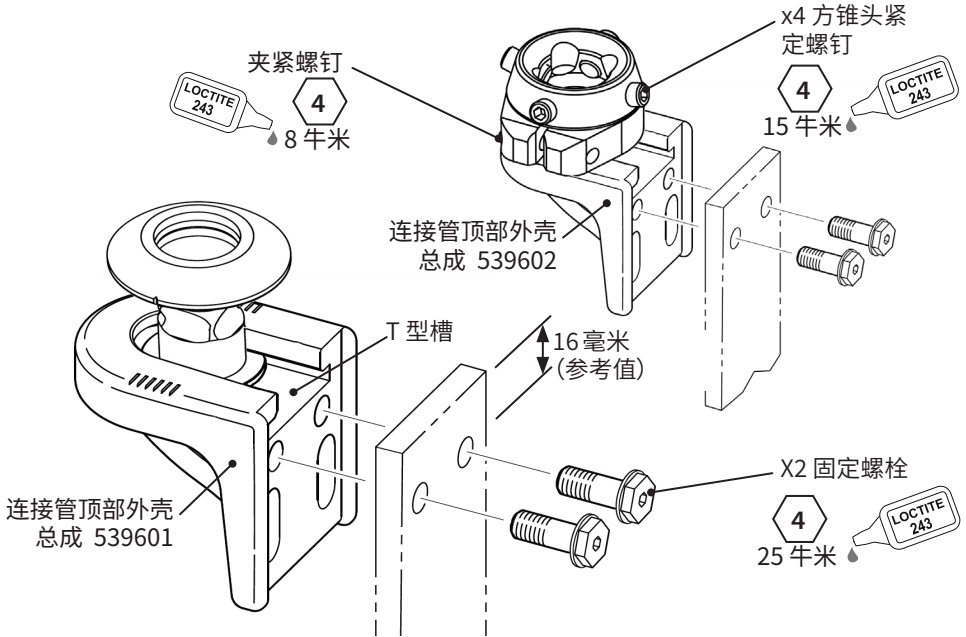
本节内容仅供假肢技师使用。

可购买安装夹具 (941255) 来优化长度和对线。然后就可以完成假肢对线, 在所需阳/阴方锥头适配器的配合下实现理想的舒适性、功能和性能了。尽可能靠近中心线。

平移适配器

切削/钻孔相关信息见相应的“动态连接管”安装说明。

必要时, 将相关平移适配器插入“T”型槽中。安装外壳, 确保连接管不高出适配器顶部。



固定螺栓

套件随附两颗固定螺栓, 用于将装置固定到接合部件上。

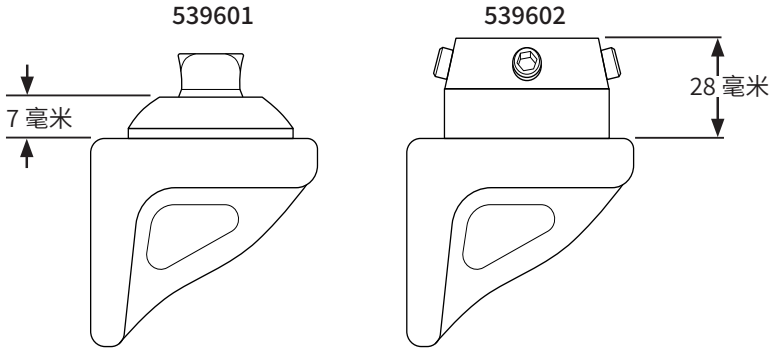
在所有螺钉的螺纹上涂抹乐泰 243 防松胶并拧紧至所需扭矩。

表现	解决方法
在装置接合面之间出现重复性噪音。	清洁本装置的接合面。给螺栓涂抹乐泰防松胶并拧紧至适当扭矩。
适配器发生位移。	本装置在未经调整、维修或更换的情况下严禁用户使用。

8 技术数据

	539601	539602
使用和存放温度范围:	-15°C 至 50°C	-15°C 至 50°C
部件重量:	165 克	240 克
活动等级:	1-4	1-4
用户体重上限:	1-3 级活动等级:166 公斤 4 级:130 公斤	1-3 级活动等级:166 公斤 4 级:130 公斤
调节范围:	垂直倾斜 $\pm 7^\circ$ ± 15 毫米 A-P 平移	垂直倾斜 $\pm 7^\circ$ ± 15 毫米 A-P 平移
近端附件:	方锥头 (Blatchford)	阴方锥 (Blatchford)
结构高度:	7 毫米	28 毫米

安装高度



储存和搬运

长时间存放本产品时,应避免接触湿气,并以室温存放。

9 订购须知

装置	部件号
动态连接管顶部外壳(阳)圆形轮廓	539601
动态连接管顶部外壳(阴)圆形轮廓	539602

免责声明

制造商建议只在指定条件下和设计用途范围内使用本装置。本装置必须按照随附的使用说明进行维护。对于因使用未经制造商授权的任何部件组合而造成的任何不良后果，制造商概不负责。

欧盟合规认证

本产品符合欧盟第“2017/745”号医疗器械法规的要求。根据该法规“附录 8”所列分类规则，本产品被归为 I 类医疗器械。查看欧盟《符合性声明》证书请访问下方网址：www.blatchford.co.uk



医疗器械



单人 - 多次使用

兼容性

如需将其他产品与 Blatchford 品牌的产品组合使用，须根据相关标准和医疗器械法规进行测试（包括结构测试、尺寸兼容性测试和现场性能监测），测试通过后方可获准。

与其他具有 CE 认证标识的产品组合使用时，必须遵循假肢技师出具的局部风险评估意见。

保修

本装置保修期为 24 个月。

用户应注意，在未经明确许可的情况下对装置进行改动或改装，可能会造成保修、使用牌照和免责条款失效。

最新完整保修声明见 Blatchford 网站。

严重事故报告

使用本装置不大可能发生严重事故，如若发生，应报知制造商以及您所在国家的主管部门。

环保事项

本产品由可回收材料制造。应尽可能根据当地的废物处理法规对部件进行回收处理。

保留包装标签

建议假肢技师保留包装标签，作为所购装置的一份记录。

商标确认

Blatchford 是 Blatchford Products Limited 的注册商标。

制造商注册地址

Blatchford Products Limited, Lister Road, Basingstoke RG22 4AH, UK. (英国)

65.....	المحتويات	
66.....	الوصف والغرض من الاستخدام	١
67.....	معلومات السلامة.....	٢
68.....	التركيب.....	٣
69.....	الوظيفة.....	٤
69.....	الصيانة.....	٥
70.....	قيود الاستخدام.....	٦
71.....	نصائح بشأن التركيب.....	٧
72.....	البيانات الفنية.....	٨
72.....	معلومات الطلب.....	٩

1 الوصف والغرض من الاستخدام

أُعِدَّت إرشادات الاستخدام المائلة بهدف أن يستخدمها كلٌّ من المُمارِس والمُستخدِم ما لم يُنصَّ على خلاف ذلك. تُستخدم كلمة جهاز متى وردت في هذا المستند للإشارة إلى المبيت العلوي للعمود المتحرك. يُرجى قراءة إرشادات الاستخدام هذه والتأكد من فهمها، وخاصةً جميع معلومات السلامة وتعليمات الصيانة.

الاستخدام

يجب أن يُستخدم هذا الجهاز بصورة حصرية في الأطراف الصناعية السفلى النمطية، وهو مخصص لمستخدم واحد فقط. صُمم الجهاز للتوصيل بتقنية الأطراف الصناعية الأخرى المعتمدة من Blatchford (Elite Blade أو Javelin)، مما يوفر توصيلًا آمنًا مع ضبط درجة الانزلاق والدوران.

الميزات

- هيكل خفيف الوزن، قوي، مصنوع من الألومنيوم والتيتانيوم

مستوى النشاط

هذا الجهاز مناسب لمستويات النشاط 1-4 (تطبق حدود الوزن، انظر البيانات الفنية). هنالك بعض الاستثناءات بطبيعة الحال، ونحن نُراعي في توصيتنا وجود ظروف خاصة واستثنائية، ومن ثم فإن أي قرار من هذا القبيل ينبغي أن يكون مشفوعًا بتبرير وافٍ وسليم.

مستوى النشاط 1

القدرة على أو إمكانية استخدام الطرف الصناعي في عمليات الانتقال أو السير على الأسطح المستوية بإيقاع ثابت. وهو المستوى المعتاد للقادرين على السير في المنزل بسرعة محدودة وغير محدودة.

مستوى النشاط 2

القدرة على أو إمكانية السير مع القدرة على اجتياز الحواجز البيئية منخفضة المستوى مثل الرصافان أو السلالم أو الأسطح غير المستوية. وهو المستوى المعتاد للقادرين على السير والتنقل في المجتمع باستقلالية بسرعة محدودة.

مستوى النشاط 3

القدرة على أو إمكانية السير بإيقاع متغير. عادةً ما يُقصد بذلك الأشخاص القادرين على السير والتنقل في المجتمع باستقلالية ممن لديهم القدرة على اجتياز معظم العوائق البيئية ويُحتمل أن يمارسوا نشاطًا مهنيًا أو علاجيًا أو ترفيهيًا يتطلب استخدام طرف صناعي لغرض أكبر من مجرد التنقل.

مستوى النشاط 4

القدرة على أو إمكانية السير باستخدام طرف صناعي مخصص لغرض يتخطى مهارات السير الأساسية، مع تحقيق مستويات مرتفعة من التأثير أو الضغط أو الطاقة. وعادةً ما تكون تلك هي متطلبات الطرف الصناعي للأطفال أو البالغين النشطين أو الرياضيين.

موانع الاستخدام

لا توجد موانع استخدام معروفة إذا تم استخدامه وفقًا لهذه الإرشادات.

المنفعة السريرية

- يسمح بالتوصيل بين نصل الارتكاز وتقنية الأطراف الصناعية الأخرى المعتمدة من Blatchford.

٢ معلومات السلامة

يرمز التحذير هذا لمعلومات السلامة المهمة التي يجب اتباعها بعناية.



يجب ألا يُغيّر المستخدم إعدادات الجهاز أو يعبث بها.

ينبغي توجيه النصيحة للمستخدم بالاتصال بالممارس المسؤول عنه إذا تغيّرت حالته.

لتقليل مخاطر الإصابة بسبب تفكك أو انحلال وصلات المسامير، تأكد من أن مسننات المسامير نظيفة تمامًا قبل كل عملية تركيب.

استخدم دائمًا لاصق لوكتايت وقرم بتطبيق قيمة عزم الدوران المحددة على المسامير اللولبية. امتنع عن استخدام مسامير لولبية بديلة.

يجب أن يتم تركيب الجهاز وصيانته وإصلاحه فقط من جانب ممارس مؤهل تأهيلاً مناسباً.

يجب إبلاغ مقدم الخدمة الخاص بك على الفور بأي تغيرات في أداء أو وظيفة الطرف، على سبيل المثال تقييد أو عدم سلاسة الحركة أو التقليل المفرط أو صدور ضجيج غير معتاد.

استخدم دائمًا الدرابزين عند نزول الدرج وفي أي وقت آخر إذا كان متاحًا.

539601 (الذكر) مصمم للغمر بالماء فترات طويلة ومناسب للغمر بالماء العذب فقط. تأكد من توافق أي استخدام للجهاز في الماء مع الشروط الواردة في قيود الاستخدام.

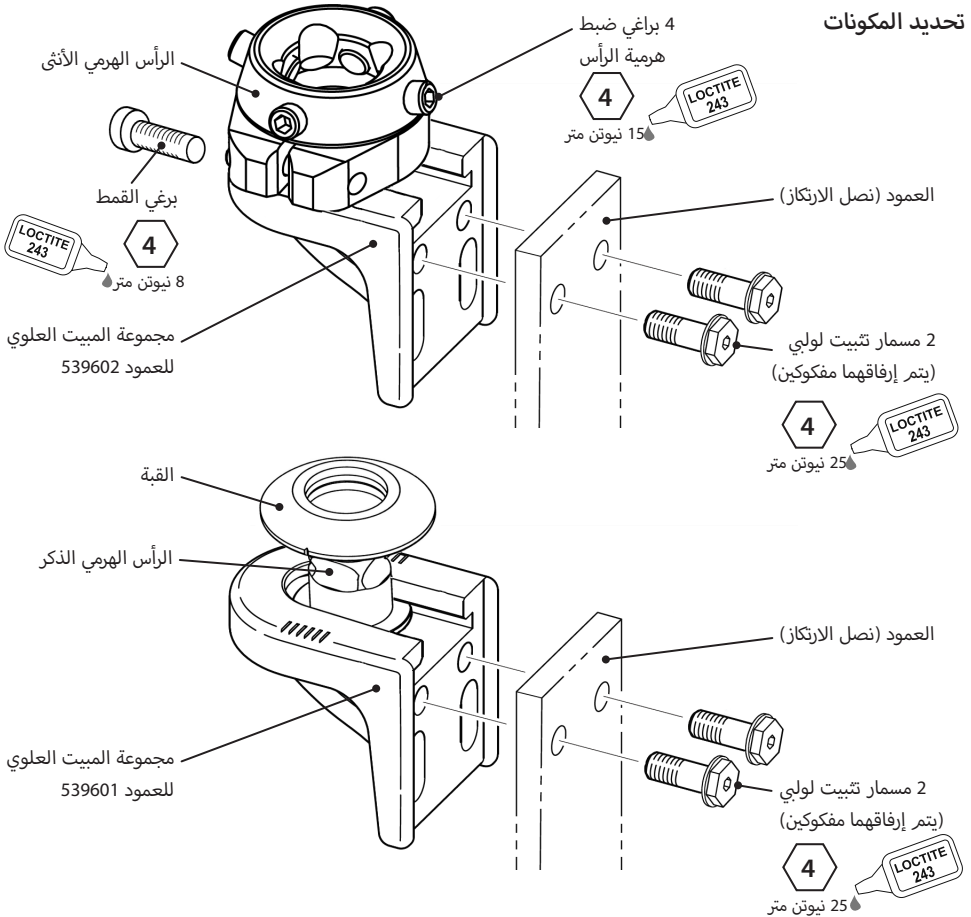
539602 (الأثني) يمكن استخدامه كطرف صناعي أثناء الاستحمام ولكنه غير مصمم للغمر بالماء فترات طويلة. يجفف على الفور إذا لامس المياه. إذا لامس هذا الجهاز الماء المالح أو المُعالج بالكور، يجب شطفه بالماء العذب وتجفيفه. تأكد من توافق أي استخدام للجهاز في الماء مع الشروط الواردة في قيود الاستخدام.

٣ التركيب

الأجزاء الرئيسية

- الرأس الهرمي الأثني
- براغي ضبط الرأس الهرمي
- الطوق/حلقة القمط
- برغي القمط وعناصر التثبيت
- الرأس الهرمي الذكر
- القبة
- مجموعة المبيت العلوي للعمود
- مسامير التثبيت للولبية
- التيتانيوم
- الفولاذ المطلي (4 براغي)
- سبائك الألومنيوم
- الفولاذ المطلي
- فولاذ مقاوم للصدأ
- الألومنيوم
- الألومنيوم
- التيتانيوم (مسامير)

تحديد المكونات



٤ الوظيفة

يوفر هذا الجهاز توصيلاً محكمًا بين رأس هرمي أنثى أو ذكر ونصل ارتكاز الطرف الصناعي أسفل الركبة. عند إحكام ربط مسامير التثبيت اللولبية باستخدام لاصق لوكتايت 243، يوفر هذا الجهاز طريقة آمنة، مع الحركات الانزلاقية والدورانية وذات الزاوية، للتوصيل بين جزئي الطرف الصناعي وتحسين محاذاتهما.

٥ الصيانة

يتعين فحص الجهاز بشكلٍ منتظم عن طريق المعاينة البصرية. يتعين إبلاغ الممارس/مقدم الخدمة بأي تغيرات في أداء هذا الجهاز، مثل صدور ضجيج غير معتاد أو حدوث تآكل شديد. ينبغي ألا تكون هناك أي حركة عند هذه الوصلة البينية. كما يتعين أيضًا إبلاغ الممارس/مقدم الخدمة بأي تغيرات تطرأ على وزن الجسم و/أو مستوى النشاط.

التنظيف

استخدم قطعة قماش رطبة وصابونًا لطيفًا لتنظيف الأسطح الخارجية. تجنب استخدام المنظفات القوية. جفف الجهاز دائمًا جيدًا بعد الاستحمام لمنع تجمع الماء في الفتحة التي تأخذ شكل حرف "T" الخاصة بمجموعة المبيت العلوي للعمود.

بقية الإرشادات الواردة في هذا القسم موجهة للممارس فقط.

- يجب ألا يقوم بأعمال الصيانة سوى موظفين مختصين (ممارس أو فني مؤهل تأهيلًا مناسبًا).
- يجب إجراء أعمال الصيانة الروتينية الآتية سنويًا على أقل تقدير:
- افحص مسامير التثبيت اللولبية للتأكد من أنها محكمة الربط. إذا كانت مفكوكة، فقم بإزالتها وتنظيفها ثم ضع لاصق لوكتايت 243 واربطها بإحكام وفقًا لإعداد عزم الدوران الصحيح، انظر قسم التركيب.
- تحقق من وجود أي عيوب من شأنها أن تؤثر على التشغيل السليم للجهاز.
- تحقق من وجود أي تآكل.

تأكد من أن المُستخدم قد قرأ وفهم جميع المعلومات المتعلقة بالسلامة والصيانة التي ينفذها المستخدم. انصح المستخدم بفحص الجهاز بصريًا بشكلٍ دوري وبنبغي إبلاغ مُقدّم الخدمة بأي علامات بلى قد تؤثر على أداء الجهاز (مثل حدوث تآكل وبلى شديدين).

انصح المستخدم بإبلاغ الممارس/مقدم الخدمة بأي تغيرات تطرأ على وزن الجسم و/أو مستوى النشاط. عند استخدام الجهاز في نشاط عنيف، فينبغي مراجعة مستوى الصيانة ومعدل تكرارها، ويمكن المطالبة بتقديم الدعم والتوجيه الفني بغية إعداد جدول صيانة جديد في ضوء معدل ممارسة النشاط وطبيعته. ويتم تحديد ذلك من خلال تقييم المخاطر المحلّة الذي يُجرّبه الفرد المؤهل على نحو مناسب.

٦ قيود الاستخدام

العمر التشغيلي المستهدف

يجب إجراء تقييم محلي للمخاطر بناءً على النشاط والاستخدام.

رفع الأحمال

وزن المستخدم ونشاطه يخضعان للحدود المذكورة.

يجب أن يستند الحمل الذي يحمله المستخدم إلى تقييم المخاطر المحلية.

البيئة

539602 (ذكر)

539602 (أنثى)

يمكن استخدام هذا الجهاز كطرف صناعي أثناء الاستحمام لكنه غير مصمم للغمر بالماء فترات طويلة، إذا لامس هذا الجهاز الماء المالح أو المُعالج بالكُلور، يجب شطفه بالماء العذب وتجفيفه. لن يؤثر التآكل البسيط في سطح الجهاز على وظيفة هذا الجهاز أو ثباته، غير أنه في حالة حدوث تآكل شديد، توقف عن استخدام هذا الجهاز واتصل بالممارس الخاص بك.

جفف الجهاز دائمًا جيدًا بعد الاستحمام لمنع تجمع الماء في الفتحة التي تأخذ شكل حرف "T" الخاصة بمجموعة المبيت العلوي للعمود.

مخصص فقط للاستخدام في درجة حرارة تتراوح بين 15°- مئوية و50° مئوية.



مناسب للاستخدام أثناء الاستحمام

هذا الجهاز مقاوم للماء حتى عمق 1 متر كحد أقصى. احرص على شطفه جيدًا بالماء العذب بعد الاستخدام في البيئات التي يحدث فيها احتكاك، مثل تلك التي قد تحتوي على رمل أو حصى، وذلك لمنع حدوث تآكل أو تلف للأجزاء المتحركة. اشطفه جيدًا بالماء العذب بعد استخدامه في الماء المالح أو المعالج بالكُلور.

جفف الجهاز دائمًا جيدًا بعد الاستحمام لمنع تجمع الماء في الفتحة التي تأخذ شكل حرف "T" الخاصة بمجموعة المبيت العلوي للعمود.

مخصص فقط للاستخدام في درجة حرارة تتراوح بين 15°- مئوية و50° مئوية.



ملائم للغمر في الماء

٧ نصائح بشأن التركيب

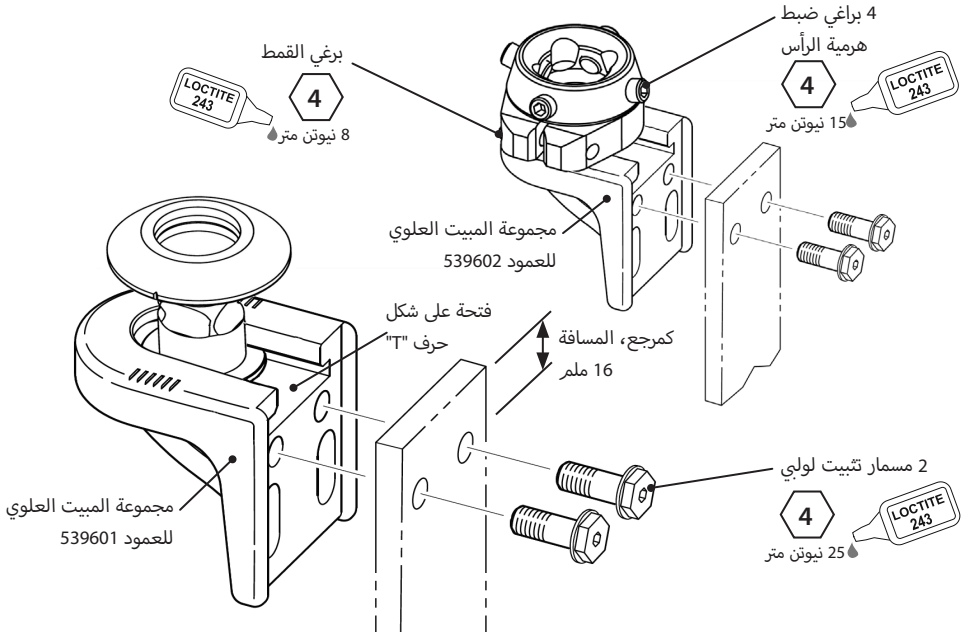
الإرشادات الواردة في هذا القسم مُوجهة للممارس فقط.

يتوفر جهاز تركيب (941255) لتحسين الطول والمحاذاة. يمكن بعد ذلك إنهاء محاذاة الطرف الصناعي من أجل الراحة والوظيفة والأداء مع المهائئ بالرأس الهرمي الذكر/الأُنثى المطلوب. ضع الجهاز في أقرب مكان ممكن من خط الاستقامة.

مهائئ الإزاحة

ارجع إلى إرشادات تركيب العمود المتحرك المناسبة للحصول على معلومات بشأن القطع/الثقب.

أدخل مهائئ إزاحة ملائمة داخل الفتحة على شكل حرف "T"، إذا لزم الأمر. ركب المبيت، مع التأكد من عدم بروز العمود فوق السطح العلوي للمهائئ.



مسامير التثبيت اللولبية

يرفق مسامير تثبيت مع الطقم لتثبيتته بالمكون المناظر.

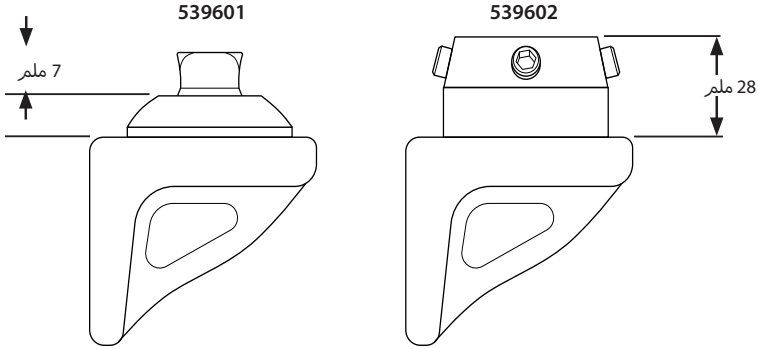
ضع لاصق لوكتايت 243 على جميع أسنان البراغي وأحكم الربط وفقاً لقيمة عزم الدوران الصحيحة.

الأعراض	الحل
تحدث ضوضاء متكررة بين أسطح الجهاز البينية.	نظف وصلات الجهاز البينية. ضع لاصق لوكتايت وأحكم ربط المسامير اللولبية وفقاً لإعداد عزم الدوران الصحيح.
المهائئ يتحرك خارج مكانه.	يجب على المستخدم عدم استخدام الجهاز حتى يتم تعديله، أو إصلاحه أو استبداله.

٨ البيانات الفنية

539602	539601	
15°- إلى 50° مئوية	15°- إلى 50° مئوية	نطاق درجة حرارة التشغيل والتخزين:
240 جم	165 جم	وزن المُكوّن الأساسي:
1 إلى 4	1 إلى 4	مستوى النشاط:
المستويات 1-3: 166 كجم المستوى 4: 130 كجم	المستويات 1-3: 166 كجم المستوى 4: 130 كجم	الوزن الأقصى للمستخدم:
إمالة عن الوضع الرأسي بزاوية $\pm 7^\circ$ إزاحة أمامية خلفية بمقدار ± 15 ملم	إمالة عن الوضع الرأسي بزاوية $\pm 7^\circ$ إزاحة أمامية خلفية بمقدار ± 15 ملم	نطاق الضبط:
رأس هرمي أنثى (Blatchford)	رأس هرمي ذكر (Blatchford)	الوصلة الدانية:
28 ملم	7 ملم	ارتفاع الهيكل:

طول الأجزاء



التخزين والمناولة

عند التخزين لفترات طويلة، تأكد من خلو المنتج من الرطوبة وتخزينه في درجة حرارة الغرفة.

٩ معلومات الطلب

رقم القطعة	الجهاز
539601	مبيت علوي للعمود المتحرك (ذكر) بجانب مستدير
539602	مبيت علوي للعمود المتحرك (أنثى) بجانب مستدير

المسؤولية

توصي الجهة المصنعة بقصر استخدام الجهاز على الظروف المحددة وأعراض الاستخدام المقصودة. يجب صيانة الجهاز وفقاً لإرشادات الاستخدام المرفقة مع الجهاز. الجهة المصنعة غير مسؤولة عن أي نتائج سلبية ناجمة عن أي مجموعة مكونات لم تصرح باستخدامها.

المطابقة لمواصفات المفوضية الأوروبية (CE)

يستوفي هذا المنتج متطلبات اللائحة الأوروبية EU 2017/745 للأجهزة الطبية. تم تصنيف هذا المنتج كجهاز من الفئة 1 وفقاً لقواعد التصنيف الموضحة في الملحق الثامن من اللائحة. تتوفر شهادة إعلان المطابقة للمواصفات الأوروبية على الموقع الإلكتروني التالي: www.blatchford.co.uk

مريض واحد - استخدامات متعددة



جهاز طبي



التوافق

اعتمدت عملية الاستخدام مع المنتجات التي تحمل علامة Blatchford استناداً إلى اختبارات أجريت طبقاً للمعايير ذات الصلة ولوائح الأجهزة الطبية متضمنة الاختبار الهيكلي وتوافق الأبعاد والأداء الميداني المرصود. ويجب أن يتم الاستخدام المتزامن مع المنتجات البديلة التي تحمل علامة المطابقة الأوروبية (CE) في ضوء تقييم المخاطر المحلية الموثق والذي يظطلع به أحد الممارسين.

الضمان

هذا الجهاز مشمول بضمان مدته 24 شهراً.

يجب أن يدرك المستخدم أن إجراء التغييرات أو التعديلات غير المعتمدة صراحة من شأنها أن تبطل الضمان وتراخيص التشغيل والإعفاءات.

يرجى الرجوع إلى موقع Blatchford الإلكتروني للحصول على بيان الضمان الكامل الحالي.

الإبلاغ عن الحوادث الخطيرة

في حالة وقوع حادث خطير غير متوقع يتعلق بهذا الجهاز، يجب إبلاغ الجهة المصنعة والسلطة الوطنية المختصة لديك.

الجوانب البيئية

هذا المنتج مصنوع من مادة قابلة لإعادة التدوير. حيثما أمكن، ينبغي إعادة تدوير المكونات وفقاً للوائح المحلية للتعامل مع النفايات.

الاحتفاظ بملصق التغليف

يُنصح الممارس بالحفاظ على ملصق التغليف باعتباره مستنداً يُثبت اقتناء الجهاز.

إقرارات العلامة لتجارية

Blatchford هي علامة تجارية مسجلة لصالح شركة Blatchford Products Limited.

العنوان المسجل للجهة المصنعة

Blatchford Products Limited, Lister Road, Basingstoke RG22 4AH, UK

blatchford.co.uk/distributors

Blatchford Products Ltd.

Unit D Antura
Kingsland Business Park
Basingstoke
RG24 8PZ
UNITED KINGDOM
Tel: +44 (0) 1256 316600
Fax: +44 (0) 1256 316710
Email: customer.service@blatchford.co.uk
www.blatchford.co.uk

Blatchford Inc.

1031 Byers Road
Miamisburg
Ohio 45342
USA
Tel: +1 (0) 800 548 3534
Fax: +1 (0) 800 929 3636
Email: info@blatchfordus.com
www.blatchfordus.com

Blatchford Europe GmbH

Am Prime-Parc 4
65479 Raunheim
GERMANY
Tel: +49 (0) 9221 87808 0
Fax: +49 (0) 9221/87808 60
Email: info@blatchford.de
www.blatchford.de

Email: contact@blatchford.fr
www.blatchford.fr

Endolite India Ltd.

A4 Naraina Industrial Area
Phase - 1
New Delhi
INDIA – 110028
Tel: +91 (011) 45689955
Fax: +91 (011) 25891543
Email: endolite@vsnl.com
www.endoliteindia.com

Ortopro AS

Hardangervegen 72
Seksjon 17
5224 Nesttun
NORWAY
Tel: +47 (0) 55 91 88 60
Email: post@ortopro.no
www.ortopro.no



Blatchford Europe GmbH
Am Prime-Parc 4
65479 Raunheim Germany

