

# ESK+ Manual Knee Lock

## Instructions for Use

ESKSBMKLP30, ESKSBMKLPPYR

EN	Instructions for Use	2
FR	Instructions d'utilisation	19
DE	Gebrauchsanweisung	36
IT	Istruzioni per l'uso	53
ES	Instrucciones de uso	70
NL	Gebruiksaanwijzing	87
PL	Instrukcje użytkowania	104
PT	Instruções de utilização	121
CS	Návod k použití	138

Contents .....	2
1 Description and Intended Purpose .....	3
2 Safety Information .....	5
3 Construction .....	6
4 Function.....	7
5 Maintenance .....	7
6 Limitations on Use .....	8
7 Static Alignment .....	9
8 Alignment Advice and Stability Adjustment.....	10
9 MKL Adjustment .....	11
9.1 Further Adjustments .....	12
10 Cable Fitting.....	13
11 Assembly Instructions .....	14
11.1 Removing ESK+ Mechanism .....	14
11.2 Replacement of ESK+ Mechanism .....	15
12 Technical Data .....	16
13 Ordering Information .....	17

---

# 1 Description and Intended Purpose

These Instructions for Use are intended for use by the practitioner and user unless otherwise stated. The term device is used throughout these instructions for use to refer to Manual Knee ESK+ products.

Please read and ensure you understand all instructions for use, in particular all safety information and maintenance instructions.

## Application

This device is to be used exclusively as part of a lower limb prosthesis.

This device is for a single user.

This device is a knee unit that provides a uniaxial frame for a weight activated stabilized knee which provides support for the prosthesis at various cadences on a variety of terrains and is intended to improve safety and reduce compensation. It is available with a fixed setting PSPC (Pneumatic Swing Phase Control) unit.

The device is equipped with a manually operated knee lock that can be engaged in situations when extra security is needed.

## Features

	Manually adjusted PSPC	Manual knee lock engaged
Limited stance flexion during weight bearing	✓	
Tough carbon fibre frame	✓	✓
115 degree knee flexion	✓	
Adjustable sensitivity of knee stability	✓	
Independent manually adjustable swing controls for flexion and extension	✓	
Locked knee for prolonged weight bearing and additional security		✓

## Activity Level

This device is ideally suited to Activity Level 2 users who can benefit from the MKL in situations where more security is required (eight limits apply, see *Technical Data*).

Additionally some Activity Level 1 and 3 users might also benefit from the MKL in similar situations. But any such decision should be made with sound and thorough justification.

### Activity Level 1

Has the ability or potential to use a prosthesis for transfers or ambulation on level surfaces at fixed cadence. Typical of the limited and unlimited household ambulator.

### Activity Level 2

Has the ability or potential for ambulation with the ability to traverse low-level environmental barriers such as curbs, stairs, or uneven surfaces. Typical of the limited community ambulator.

### Activity Level 3

Has the ability or potential for ambulation with variable cadence. Typical of the community ambulator who has the ability to traverse most environmental barriers and may have vocational, therapeutic, or exercise activity that demands prosthetic utilization beyond simple locomotion.

This device is not suitable for use in competitive sports events. These types of users might be better served by a specially designed prosthesis that is optimized for their needs.

## Clinical Benefits

- Weight-activated stance control and adjustable swing control provide a smooth, safe gait with a free knee.
- Manually-operated lock allows patient to lock the knee for additional security when needed

## Contraindications

This device is not suitable for:

- Users with extreme muscular weakness, contractures that cannot be correctly accommodated, or proprioceptive dysfunction including poor balance.
- Users with contralateral joint instabilities or pathology.
- Users with complicated conditions involving multiple disabilities.
- Users, including bilateral transfemoral amputees, who require a yielding function from the knee to descend stairs or to sit. This can result in damage of the brake mechanism that can adversely affect stability and durability.
- Users with poor hand function may find difficult to operate the manual knee lock.



**Users must be given gait training before using this device.**



**Make sure that the user has understood all instructions for use, drawing particular attention to all maintenance and safety information sections.**

## 2 Safety Information



**This warning symbol highlights important safety information.**



**Beware of finger trap hazard all times.**



**Any changes in the performance or function of the limb e.g. instability, double-action, restricted movement, non-smooth motion or unusual noises should be immediately reported to your service provider.**



**Always use a hand rail when descending stairs and at any other time if available.**



**Any excessive changes in the heel height after finalization of alignment may adversely affect limb function.**



**Ensure only suitably retrofitted vehicles are used when driving. All persons are required to observe their respective driving laws when operating motor vehicles.**



**Care should be taken when carrying heavy loads as this may adversely affect the stability of the device.**



**The user should be advised to contact their practitioner if their condition changes.**



**Avoid exposure to extreme heat and/or cold.**



**Assembly, maintenance and repair of the device must only be carried out by a suitably qualified clinician.**

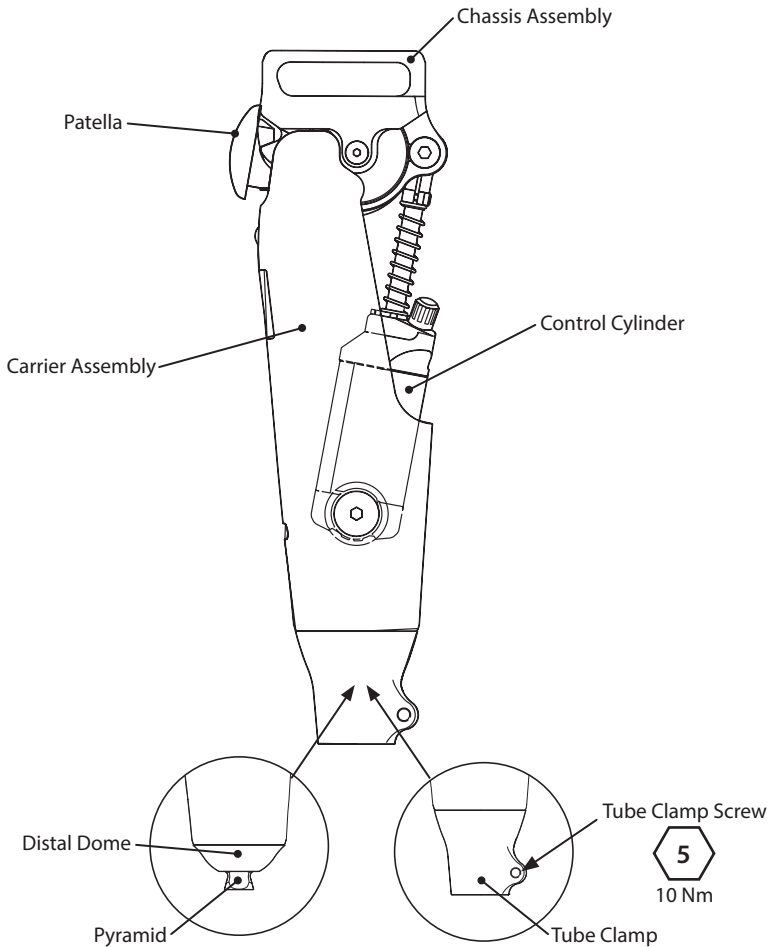


**The device is not intended for use when immersed in water or as a shower prosthesis. If the limb comes into contact with water wipe dry immediately.**

# 3 Construction

## Principal Parts

- Carrier Assembly Carbon fibre composite & stainless steel
- Chassis Assembly Aluminium alloy, stainless steel, engineering thermoplastic, fibre reinforced (asbestos free) friction material.
- Control Cylinder Aluminium alloy, stainless steel, Titanium, engineering thermoplastic
- Distal Dome Aluminium alloy
- Distal Pyramid Titanium with stainless steel bolt
- Distal Tube Clamp Aluminium alloy
- Patella Engineering thermoplastic



---

## 4 Function

The device is a uniaxial design comprising a knee pivot connecting a chassis to a carrier. A weight activated stabilizing knee mechanism is housed within the chassis. The stabilizing mechanism has a resilient action which provides limited stance flexion under load to absorb shock loads at heel strike.

The device includes a manually operated knee lock mechanism which, when activated by the user, automatically engages at full knee extension and prevents any further knee flexion regardless of applied body weight.

When de-activated, the knee returns to weight activated stabilization.

A pneumatic control cylinder sits within the carrier assembly, fitted between the chassis posterior pivot and the carrier distal pivot.

The cylinder has manually adjustable valves which give independent control of flexion and extension resistance during swing phase.

---

## 5 Maintenance

Visually check the device regularly.

Report any changes in performance of this device to the practitioner/service provider e.g. unusual noises, increased stiffness or restricted/excessive rotation, significant wear or excessive discoloration from long term exposure to UV.

Inform the practitioner/service provider of any changes in body weight and/or activity level.

### Cleaning

Use a damp cloth and mild soap to clean the outside surfaces. DO NOT use aggressive cleansers.

***The remaining instructions in this section are for practitioner use only.***

This maintenance must be carried out only by competent personnel (practitioner or suitable trained technician).

To maintain optimum performance, a periodic inspection for unacceptable noise, play and stability is recommended. The period between inspections is determined by factors such as the activity of the user, frequency of usage and the stability setting of the knee.

As a guide, if the setting is 6 clicks or above and the user averages 600,000 steps per annum, an annual inspection is recommended.

We recommend adjusting the knee to the individuals' stability requirements to ensure optimal stability and durability. See adjustment guide/flow diagram.

The use of a Limb Activity Monitor is recommended to determine step count.

At these inspections:

- Check for visual defects that may affect proper function.
- Check condition and satisfactory operation of thigh release cable.
- Dis-assemble, clean and re-assemble knee mechanism.

Advise the user that a regular visual check of the device is recommended and any changes in performance of this device must be reported to the practitioner. Changes in performance may include: increase or decrease in knee stiffness, instability, reduced knee support (free movement), any unusual noise.

### Storage and Handling

When storing for prolonged periods, the device should be kept dry and within a temperature range of -15 °C to 50 °C. (5 °F to 122 °F)

Use product packaging supplied.

---

## 6 Limitations on Use

### Intended Life:

A local risk assessment should be carried out based upon activity and usage.

### Lifting Loads

User weight and activity is governed by the stated limits.

Load carrying by the user should be based on a local risk assessment.

### Environment

Avoid exposing the device to corrosive elements such as water, acids and other liquids. Also avoid abrasive environments such as those containing sand for example as these may promote premature wear.

Exclusively for use between -15 °C and 50 °C (5 °F to 122 °F).



Suitable for outdoor use

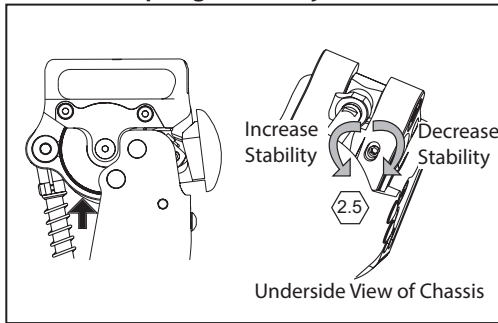


# 7 Static Alignment

*The instructions in this section are for practitioner use only.*

## Walking Trials

### Spring Stack Adjuster



Fully extend limb to access the adjuster.

Rotate the **SPRING STACK ADJUSTER** to achieve the required stability for the individual amputee.

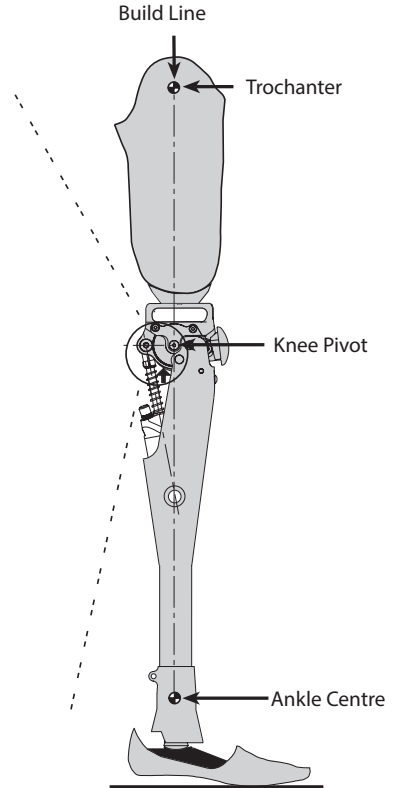
Note... Audible clicks should be heard upon adjustment, and the adjuster is self locking.

Tighten the **SPRING STACK** to reduce stability.

Release the **SPRING STACK** to increase stability

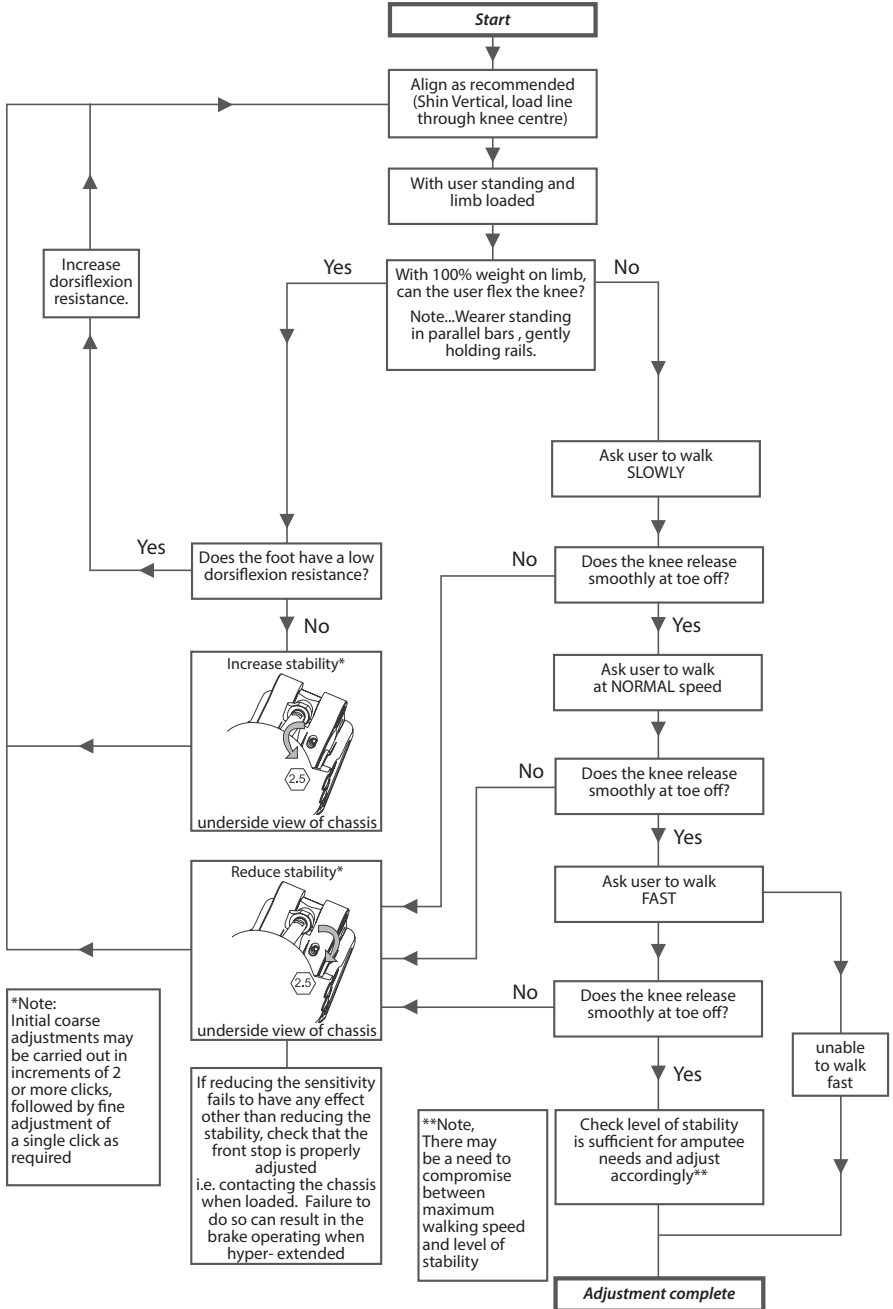
- See above.

If required, the adjuster may be reset to the factory setting. This can be achieved by reducing stability by six audible clicks from the maximum stability setting.



# 8 Alignment Advice and Stability Adjustment

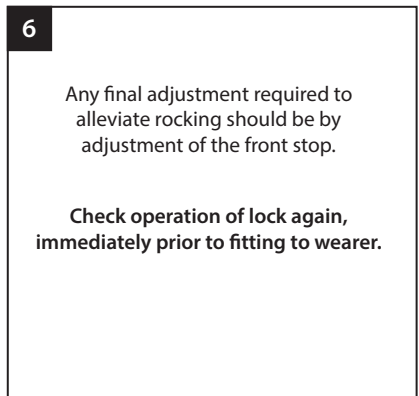
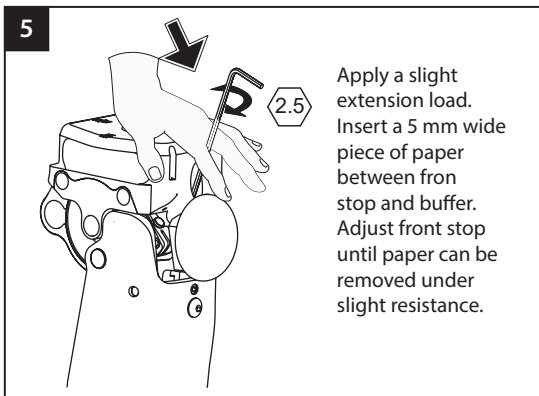
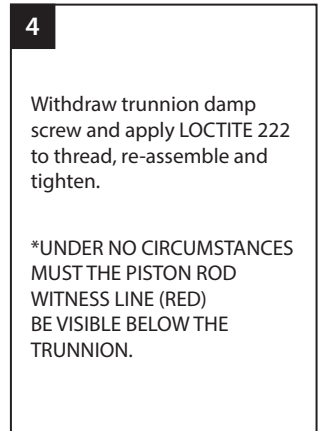
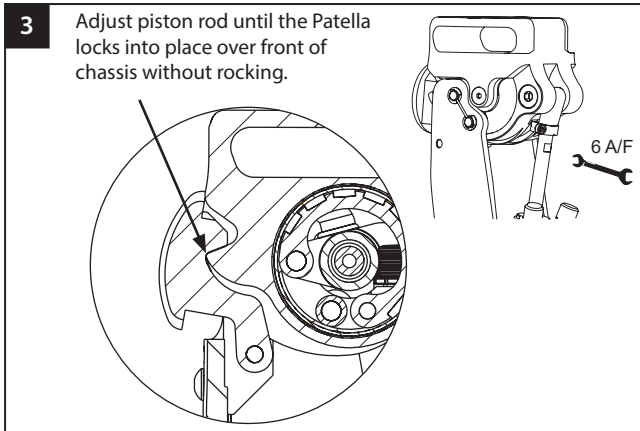
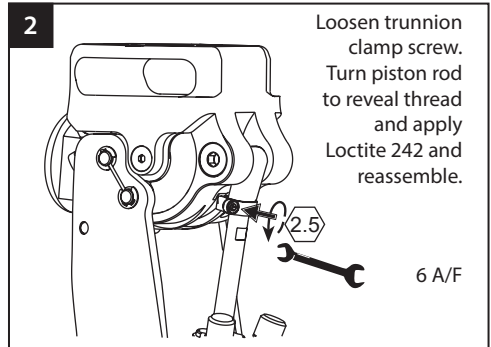
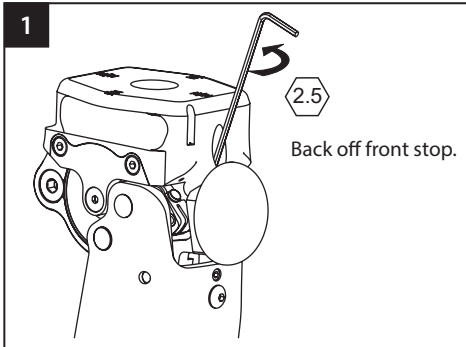
The instructions in this section are for practitioner use only.



## 9 MKL Adjustment

*The instructions in this section are for practitioner use only.*

(These adjustments are carried out at the factory, however, should subsequent adjustment be required, these steps should be followed.)



## 9.1 Further Adjustments

*The instructions in this section are for practitioner use only.*

Symptom	Solution
Knee does not stabilise	Increase sensitivity
	Shift socket Anteriorly
	Replace stabilizing mechanism if trailing edge of brake is damaged
Knee does not release	Decrease sensitivity
	Check adjustment of front stop
	Shift socket posteriorly
Knee Lock does not engage	Check lock engagement is not impaired/restricted by cos fairing (if fitted)
Play / rock in knee lock	Check adjustment of piston rod
Heel rise too high during swing	See control cylinder IFU
Heel rise too low during swing	See control cylinder IFU
User experiences terminal impact	See control cylinder IFU
Device does not fully extend during swing	See control cylinder IFU

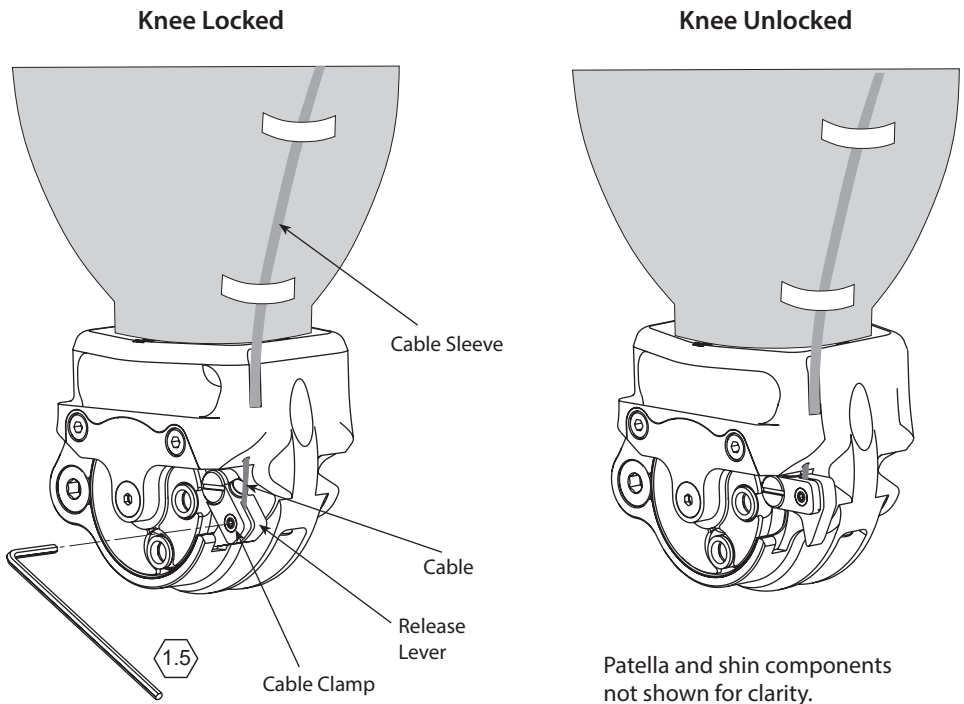
If after following these instructions you still have problems with function please contact the sales team in your area for advice.

## 10 Cable Fitting

Using Thigh Release Kit (239640) - available separately.

*The instructions in this section are for practitioner use only.*

1. Lay cable against socket and locate sleeve inside counterbore in front of chassis (make allowance for changes in alignment).
2. Feed inner cable through hole in chassis.
3. Feed cable through cable clamp and secure, clamping onto tinned area at end of cable.
4. When fitting cable to thigh release, ensure release lever operates against the patella to unlock knee as required.
5. Refer to fitting instructions supplied with Thigh Release Kit.

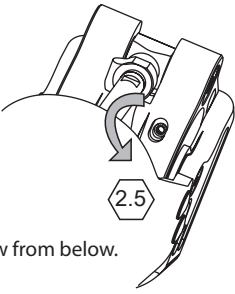
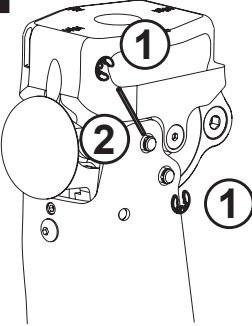
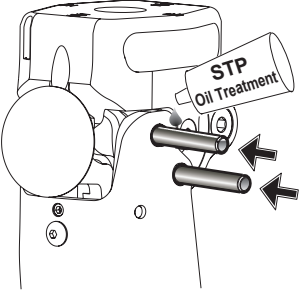
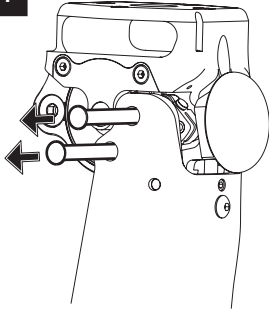
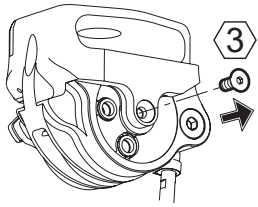
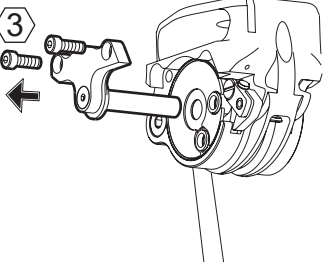
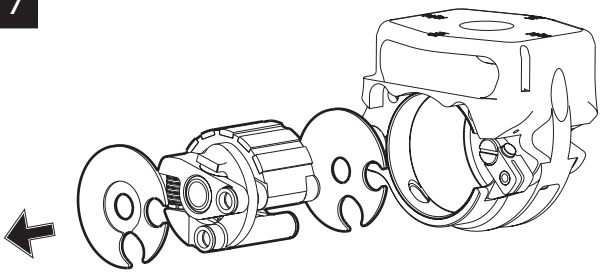
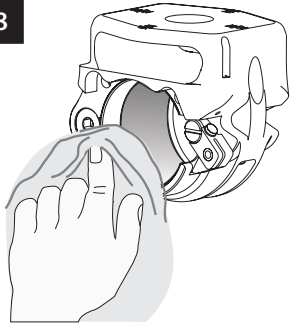


For adjustment of swing control device refer to the PSPC IFU 938057.

# 11 Assembly Instructions

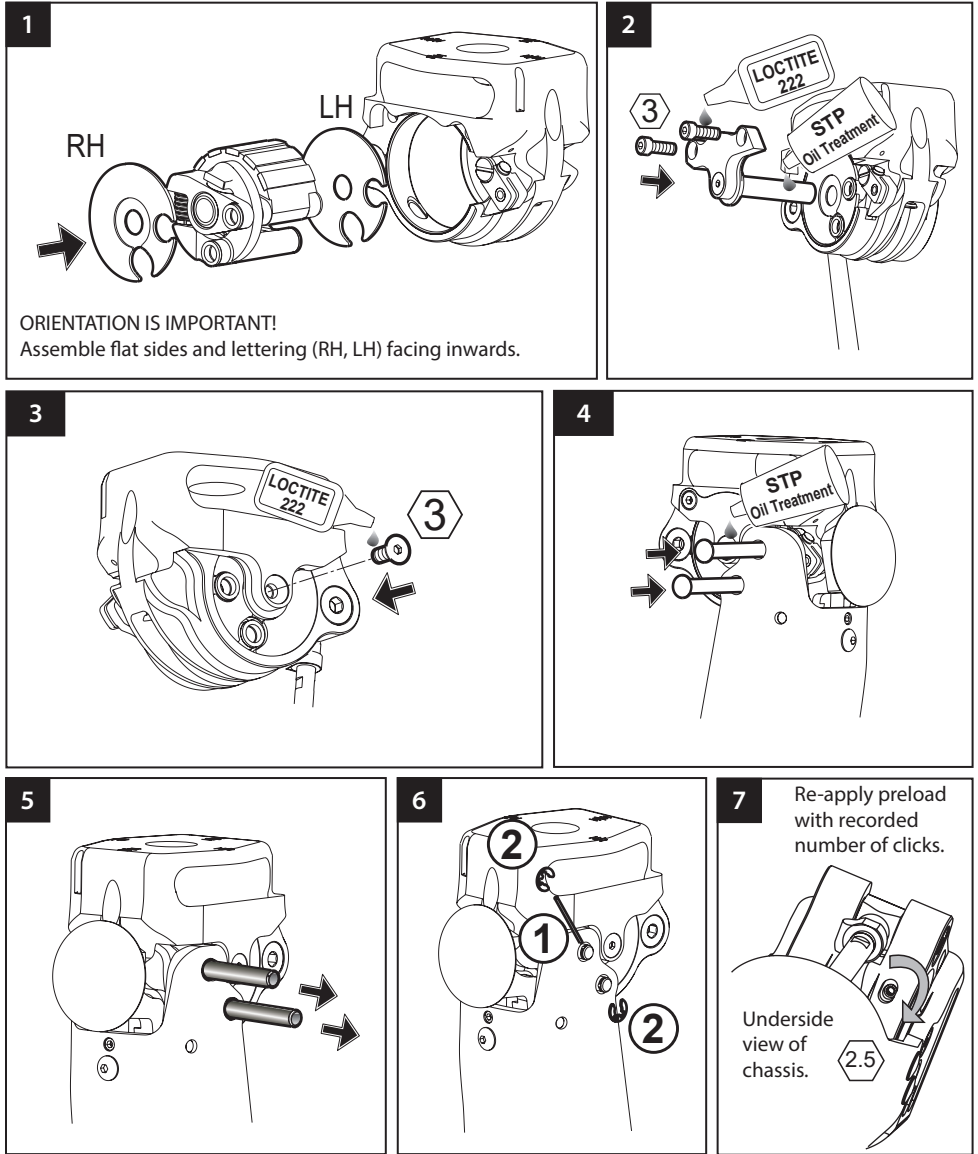
*The instructions in this section are for practitioner use only.*

## 11.1 Removing ESK+ Mechanism

<p><b>1</b> Remove all preload and record number of clicks</p>  <p>View from below.</p>	<p><b>2</b></p> 	<p><b>3</b></p> 
<p><b>4</b></p> 	<p><b>5</b></p> 	<p><b>6</b></p> 
<p><b>7</b></p>  <p>Brake band material may be wiped clean with paper, do not use solvents.</p>		<p><b>8</b></p>  <p>Clean bore with suitable solvent.</p>

## 11.2 Replacement of ESK+ Mechanism

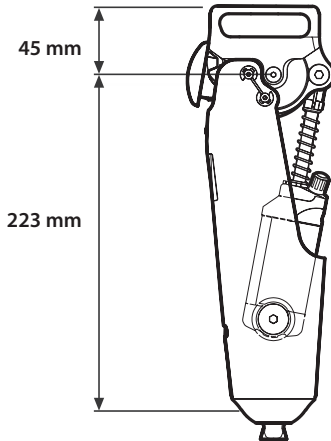
*The instructions in this section are for practitioner use only.*



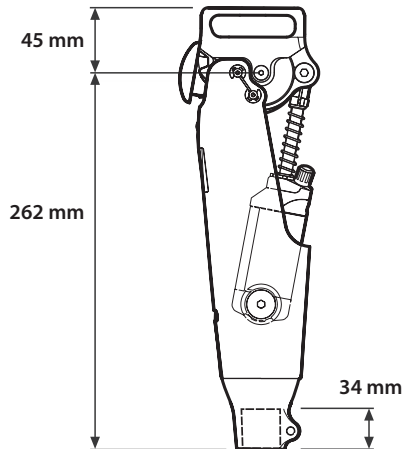
# 12 Technical Data

Operating and Storage Temperature Range:	-15 °C to 50 °C (5° F to 122 °F)
Component Weight:	1.2 kg (2 lb 11 ozs)
Activity Level:	1-3
Maximum User Weight:	125 kg (275 lb)
Maximum Flexion Angle:	115°
Proximal Alignment Attachment:	Single Bolt (Blatchford)
Distal Alignment Attachment:	30 mm Tube Clamp or Male Pyramid (Blatchford)
Build Height:	See Diagrams Below.

## Fitting Length



**ESK+ MKL  
with Distal Pyramid**



**ESK+ MKL  
with 30 mm Distal Tube Clamp**



# 13 Ordering Information

## Order Example

		ESK+ with Manual Knee Lock									
		30 mm Distal Tube Clamp					Distal Pyramid				
Pneumatic Cylinder	ESK	SB	MKL	P	30	ESK	SB	MKL	P	PYR	
	ESK+	Single Bolt	Manual Knee Lock	PSPC	Distal Tube Clamp 30 mm	ESK+	Single Bolt	Manual Knee Lock	PSPC	Distal Pyramid	

## Replacement Parts

Item	Part. No.
ESK+ MKL Knee Assembly	239440
Thigh Release Kit	239640
ESK Mechanism Alignment Pin	234914
ESK+ Stabilizing Mechanism Kit	239949

## Liability

The manufacturer recommends using the device only under the specified conditions and for the intended purposes. The device must be maintained according to the instructions for use supplied with the device. The manufacturer is not liable for any adverse outcome caused by any component combinations that were not authorized by them.

## CE Conformity

This product meets the requirements of the European Regulation EU 2017/745 for medical devices. This product has been classified as a class I device according to the classification rules outlined in Annex VIII of the regulation. The EU declaration of conformity certificate is available at the following internet address: [www.blatchford.co.uk](http://www.blatchford.co.uk).



Medical Device



Single Patient – multiple use

## Compatibility

Combination with Blatchford branded products is approved based on testing in accordance with relevant standards and the MDR including structural test, dimensional compatibility and monitored field performance.

Combination with alternative CE marked products must be carried out in view of a documented local risk assessment carried out by a Practitioner.

## Warranty

This device is warranted for 24 months, the brake band for 12 months.

The user should be aware that changes or modifications not expressly approved could void the warranty, operating licenses and exemptions.

See Blatchford website for the current full warranty statement.

## Reporting of Serious Incidents

In the unlikely event of a serious incident occurring in relation to this device it should be reported to the manufacturer and your national competent authority.

## Environmental Aspects

This product contains hydraulic oil, mixed metals and plastics. Where possible the components should be recycled in accordance with local waste handling regulations.

## Retaining the Packaging Label

The practitioner is advised to keep the packaging label as a record of the device supplied.

## Manufacturer's Registered Address

Blatchford Products Limited, Lister Road, Basingstoke RG22 4AH, UK.

## Trademark Acknowledgements

Blatchford is a registered trademark of Blatchford Products Limited.

Table des matières .....	19
1 Description et objectif visé .....	20
2 Informations de sécurité.....	22
3 Construction .....	23
4 Fonction.....	24
5 Entretien .....	24
6 Limites d'utilisation .....	25
7 Alignement statique .....	26
8 Conseils sur l'alignement et le réglage de la stabilité.....	27
9 Réglage du MKL.....	28
9.1 Réglages supplémentaires .....	29
10 Pose du câble.....	30
11 Instructions de montage.....	31
11.1 Retirer le mécanisme ESK+ .....	31
11.2 Remplacement du mécanisme ESK+ .....	32
12 Données techniques.....	33
13 Pour commander.....	34

# 1 Description et objectif visé

Ces instructions d'utilisation sont destinées à être utilisées par le praticien et l'utilisateur, sauf indication contraire.

Le terme dispositif est utilisé dans ce manuel pour se référer aux produits ESK+ pour genou manuel.

Veuillez lire et vous assurer que vous comprenez toutes les instructions d'utilisation, en particulier les informations de sécurité et les instructions relatives à l'entretien.

## Application

Ce dispositif est destiné à être utilisé uniquement comme composant d'une prothèse de membre inférieur.

Ce dispositif est destiné à un utilisateur unique.

Ce dispositif est une unité de genou qui fournit un cadre uniaxial pour un genou stabilisé activé par le poids qui fournit un support pour la prothèse à diverses cadences sur une variété de terrains. Il est destiné à améliorer la sécurité et à réduire la compensation. Il est disponible avec une unité PSPC (Contrôle pneumatique de la phase pendulaire) à réglage fixe.

Le dispositif est équipé d'un verrouillage manuel du genou qui peut être engagé lorsqu'une sécurité supplémentaire est nécessaire.

## Caractéristiques

	Ajustement manuel du PSPC	Verrouillage manuel du genou engagé
Flexion limitée en phase d'appui pendant la mise en appui	✓	
Un cadre en fibre de carbone robuste	✓	✓
Flexion du genou de 115 degrés	✓	
Sensibilité réglable de la stabilité du genou	✓	
Contrôles indépendants et manuels de la flexion et de l'extension en phase pendulaire.	✓	
Verrouillage du genou pour une mise en appui prolongée et plus de sécurité		✓

## Niveau d'activité

Ce dispositif est particulièrement adapté aux utilisateurs de niveau d'activité 2 qui peuvent bénéficier du verrouillage manuel du genou MKL dans les situations où une plus grande sécurité est requise (des limites de poids s'appliquent, voir *Données techniques*).

De plus, certains utilisateurs des niveaux d'activité 1 et 3 peuvent également bénéficier du MKL dans des situations similaires. Toutefois, toute décision de ce type doit être prise avec une justification solide et approfondie.

### Activité de niveau 1

A la possibilité ou le potentiel d'utiliser une prothèse pour les transferts ou déplacements sur des surfaces planes à une cadence fixe. Caractéristiques du patient domestique limité et illimité.

### Activité de niveau 2

A une capacité ou un potentiel de déambulation avec possibilité de gérer des obstacles environnementaux bas tels que les trottoirs, les escaliers ou les surfaces inégales. Caractéristique du patient limité en extérieur.

### Activité de niveau 3

A une capacité ou un potentiel de déplacement à cadence variable. Typique du patient en extérieur qui a la capacité de franchir la plupart des barrières environnementales et peut avoir une activité professionnelle, thérapeutique ou physique qui exige l'utilisation de prothèses au-delà de la simple locomotion.

Ce dispositif ne convient pas à une utilisation dans le cadre de compétitions sportives. Ces types d'utilisateurs pourraient être mieux servis par une prothèse spécialement conçue et optimisée pour répondre à leurs besoins.

## Avantages cliniques

- Le contrôle de la phase d'appui activé par le poids et le contrôle réglable de la phase pendulaire permettent une démarche souple et sûre avec un genou libre.
- Le verrouillage manuel permet au patient de verrouiller le genou pour plus de sécurité lorsque cela est nécessaire.

## Contre-indications

Ce dispositif n'est pas adapté dans les cas suivants :

- Les utilisateurs ayant une faiblesse musculaire extrême, des contractures qui ne peuvent être correctement accommodées ou un dysfonctionnement proprioceptif, y compris un mauvais équilibre.
- Les utilisateurs ayant des instabilités ou des pathologies articulaires controlatérales.
- Les utilisateurs souffrant de conditions compliquées impliquant des handicaps multiples.
- Les utilisateurs, y compris les amputés transfémoraux bilatéraux, qui ont besoin d'une capacité souple du genou pour descendre les escaliers ou s'asseoir. Il peut en résulter une détérioration du mécanisme de freinage qui peut nuire à la stabilité et à la durabilité.
- Les utilisateurs ayant une mauvaise fonction des mains peuvent avoir des difficultés à utiliser le verrouillage manuel du genou.



**Les utilisateurs doivent bénéficier d'un entraînement à la marche avant d'utiliser ce dispositif.**



**Assurez-vous que l'utilisateur a bien compris toutes les instructions d'utilisation, et de porter une attention particulière aux sections des informations relatives à l'entretien et à la sécurité.**

## 2 Informations de sécurité



**Ce symbole d'avertissement met en évidence des informations importantes en matière de sécurité.**



**Attention au risque de pincement des doigts.**



**Tout changement dans la performance ou la fonction du membre, par exemple, une instabilité, une double action, un mouvement restreint, un mouvement irrégulier ou des bruits inhabituels, doit être immédiatement signalé à votre prestataire de services.**



**Servez-vous toujours d'une rampe pour descendre les escaliers et à tout autre moment si possible.**



**Toute modification excessive de la hauteur du talon après la fin de l'alignement peut nuire à la fonction du membre.**



**Veillez à ce que seuls les véhicules adaptés soient utilisés pour la conduite. Toutes les personnes sont tenues de respecter leurs lois respectives en matière de conduite de véhicules motorisés.**



**Il convient de faire attention lors du transport de charges lourdes, car la stabilité du dispositif peut en être affectée.**



**Il doit être conseillé au patient de contacter son praticien si son état vient à changer.**



**Évitez l'exposition à la chaleur et/ou au froid extrêmes.**



**Seul un clinicien dûment qualifié peut procéder au montage, à l'entretien et à la réparation du dispositif.**

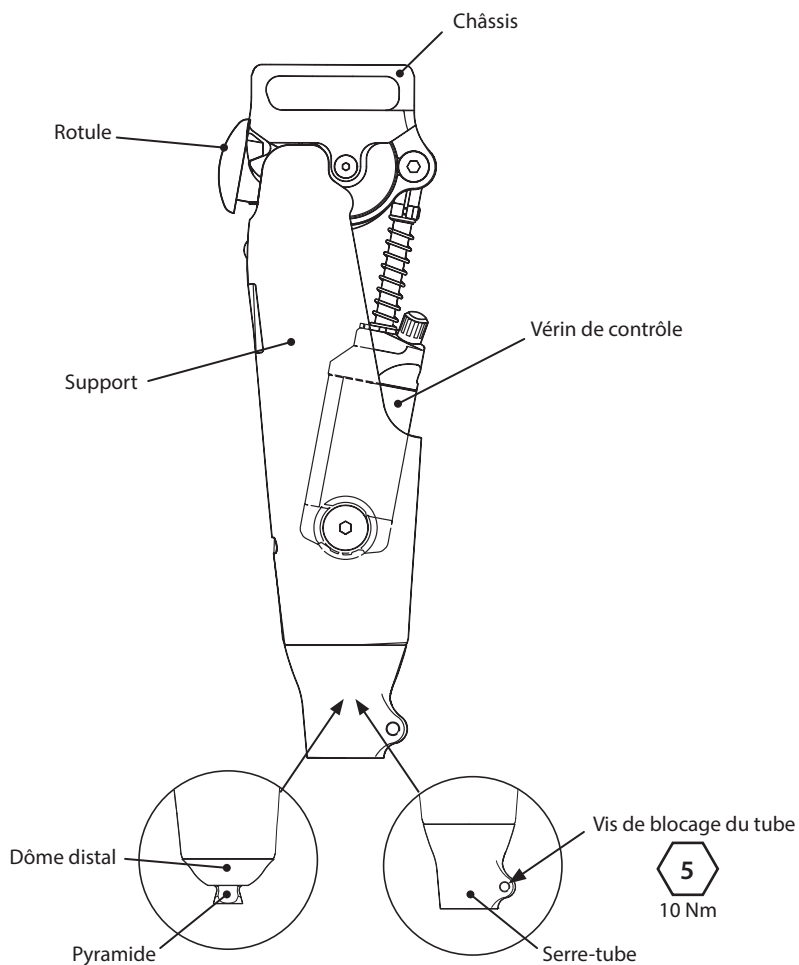


**Le dispositif n'est pas destiné à être utilisé en immersion dans l'eau ou comme prothèse de douche. Si le membre entre en contact avec de l'eau, essuyez-le immédiatement.**

# 3 Construction

## Composants principaux

- Support Fibre de carbone composite et acier inoxydable
- Châssis Alliage d'aluminium, acier inoxydable, thermoplastique technique, matériau de friction renforcé de fibres (sans amiante)
- Vérin de contrôle Alliage d'aluminium, acier inoxydable, titane, thermoplastique technique.
- Dôme distal Alliage d'aluminium
- Pyramide distale Titane avec boulon en acier inoxydable
- Serre-tube Alliage d'aluminium
- Rotule Thermoplastique technique



---

## 4 Fonction

Le dispositif est une conception uniaxiale comprenant un axe de genou qui relie un châssis à un support. Un mécanisme de stabilisation du genou activé par le poids est logé dans le châssis.

Le mécanisme de stabilisation a une action résiliente qui permet une flexion limitée de la phase d'appui sous charge et absorbe les chocs lors de l'attaque du talon.

Le dispositif comprend un mécanisme de verrouillage manuel du genou qui, lorsqu'il est activé par l'utilisateur, s'engage automatiquement à l'extension complète du genou et empêche toute flexion supplémentaire du genou, quel que soit le poids corporel appliqué.

Lorsqu'il est désactivé, le genou revient à une stabilisation activée par le poids.

Un vérin de contrôle pneumatique se trouve à l'intérieur du support, entre l'axe postérieur du châssis et l'axe distal du support.

Le vérin est équipé de valves réglables manuellement qui permettent de contrôler indépendamment la résistance en flexion et en extension pendant la phase pendulaire.

---

## 5 Entretien

Vérifiez visuellement le dispositif à intervalles réguliers.

Signalez au praticien/prestataire de services tout changement dans les performances de ce dispositif, par exemple des bruits inhabituels, une raideur accrue ou une rotation restreinte/excessive, une usure importante ou une décoloration excessive due à une exposition prolongée aux UV.

Informez le praticien/prestataire de service de tout changement de poids corporel et/ou de niveau d'activité.

### Nettoyage

Utilisez un chiffon humide et du savon doux pour nettoyer les surfaces extérieures. N'UTILISEZ PAS de détergents agressifs.

***Les autres instructions de cette section sont destinées à être utilisées par des praticiens.***

Cet entretien doit être effectué uniquement par un personnel compétent (praticien ou technicien qualifié).

Pour maintenir des performances optimales, il est recommandé de procéder à une inspection régulière afin de détecter tout bruit, jeu et stabilité inappropriés. Les intervalles entre les inspections sont déterminés par des facteurs tels que l'activité de l'utilisateur, la fréquence d'utilisation et le réglage de la stabilité du genou.

À titre indicatif, si le réglage est de 6 clics ou plus et que l'utilisateur fait en moyenne 600 000 pas par an, il est recommandé de procéder à une inspection annuelle.

Nous conseillons d'ajuster le genou aux besoins de stabilité de l'individu pour assurer une stabilité et une durabilité optimales. Voir le guide de réglage/l'organigramme.

Il est recommandé d'utiliser un moniteur d'activité de membre pour déterminer le nombre de pas.

Lors de ces inspections :

- Vérifiez la présence de défauts visuels susceptibles d'affecter le bon fonctionnement.
- Vérifiez l'état et le bon fonctionnement du câble de libération de la cuisse.
- Démontez, nettoyez et remontez le mécanisme du genou.



Conseillez à l'utilisateur de procéder à un examen visuel régulier du dispositif et de signaler au praticien tout changement dans les performances du dispositif. Les changements de performance peuvent comprendre : une augmentation ou une diminution de la raideur du genou, une instabilité, une réduction de l'appui du genou (liberté de mouvement), tout bruit inhabituel.

### **Stockage et manipulation**

En cas de stockage prolongé, le dispositif doit être conservé au sec et dans une plage de température comprise entre -15 °C et 50 °C.

Utilisez l'emballage du produit fourni.

---

## **6 Limites d'utilisation**

### **Durée de vie prévue :**

Une évaluation locale des risques doit être effectuée sur la base de l'activité et de l'utilisation.

### **Soulever des charges**

Le poids et l'activité de l'utilisateur sont régis par les limites indiquées.

Le transport de charges par l'utilisateur doit être basé sur une évaluation locale des risques.

### **Environnement**

Évitez d'exposer le dispositif à des éléments corrosifs tels que l'eau, les acides et d'autres liquides. Évitez également les environnements abrasifs comme ceux contenant du sable par exemple, car ils peuvent favoriser une usure prématurée.

Pour une utilisation exclusivement entre -15 °C et 50 °C.



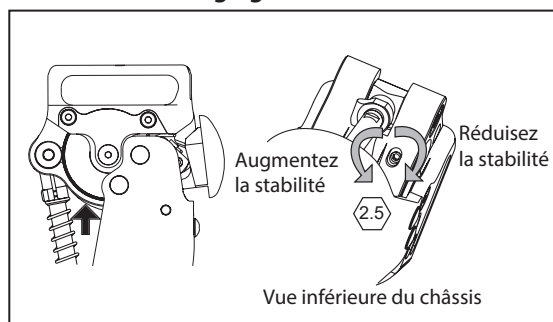
Adapté à un usage en extérieur

## 7 Alignement statique

Les instructions de cette section sont destinées à être utilisées par des praticiens.

### Essais à la marche

#### Vis de réglage du ressort



Mettez le membre en position d'extension complète pour accéder à la vis de réglage.

Tournez la VIS DE RÉGLAGE DU RESSORT pour que la personne amputée puisse se maintenir dans une position stable.

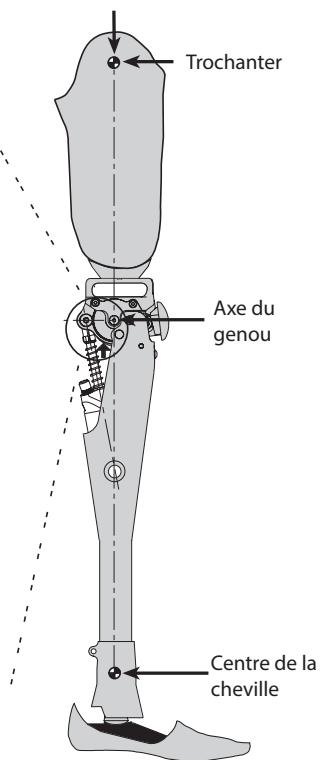
Remarque... On doit entendre des clics pendant le réglage et la vis de réglage est auto-freinée.

Serrez la VIS DE RÉGLAGE DU RESSORT pour réduire la stabilité.

Desserrez la VIS DE RÉGLAGE DU RESSORT pour augmenter la stabilité - voir ci-dessus.

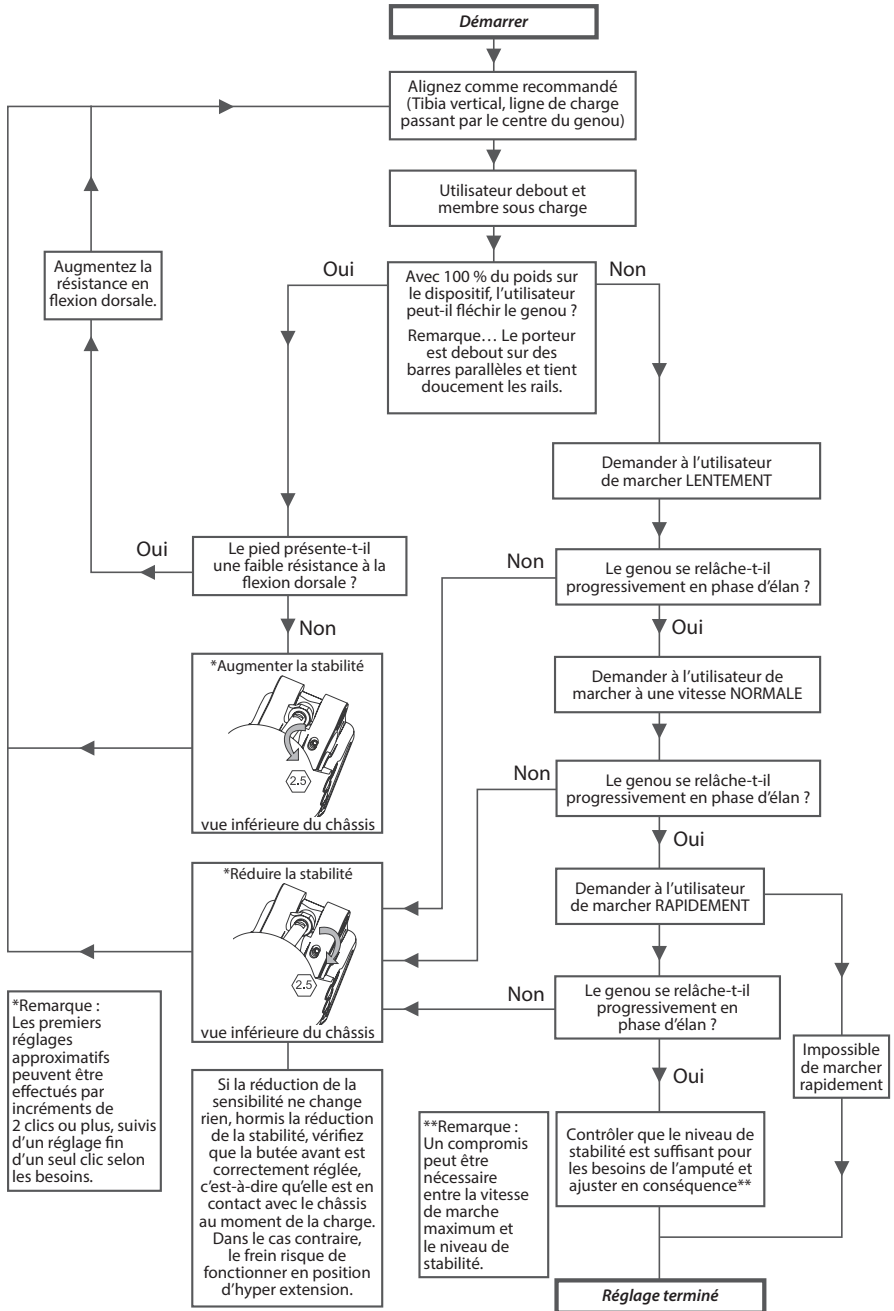
Si nécessaire, la vis de réglage peut être remise au réglage d'usine. Pour ce faire, réduisez la stabilité de six clics à partir du réglage de la stabilité maximale.

Axe de construction



# 8 Conseils sur l'alignement et le réglage de la stabilité

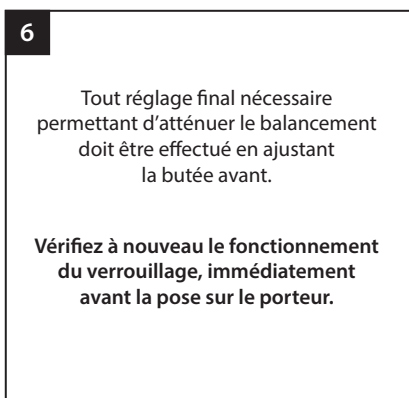
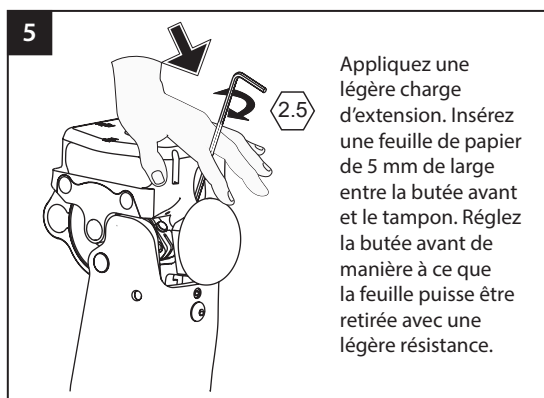
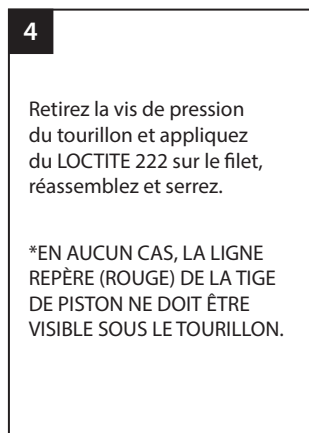
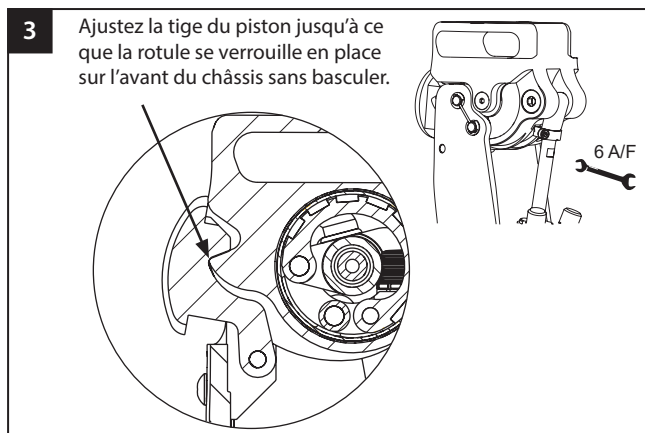
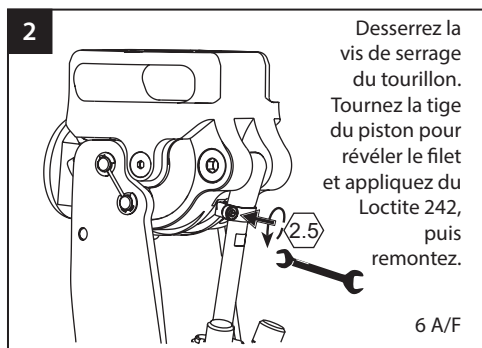
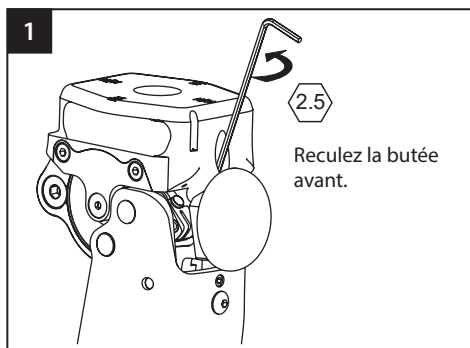
Les instructions de cette section sont destinées à être utilisées par des praticiens.



## 9 Réglage du MKL

Les instructions de cette section sont destinées à être utilisées par des praticiens.

(Ces réglages sont effectués en usine, toutefois, si un réglage ultérieur est nécessaire, il convient de suivre les étapes suivantes.)



## 9.1 Réglages supplémentaires

*Les instructions de cette section sont destinées à être utilisées par des praticiens.*

Symptôme	Solution
Le genou ne se stabilise pas	Augmentez la sensibilité
	Déplacez l'emboîture vers l'avant
	Remplacez le mécanisme de stabilisation si le bord arrière du frein est endommagé
Le genou ne se relâche pas	Réduire la sensibilité
	Vérifiez le réglage de la butée avant
	Déplacez l'emboîture vers l'arrière
Le verrouillage du genou ne s'engage pas	Vérifiez que le verrouillage n'est pas gêné/restreint par la mousse esthétique (le cas échéant).
Jeu ou balancement dans le verrouillage du genou	Vérifiez le réglage de la tige du piston
Le talon se soulève trop pendant la phase pendulaire	Voir le mode d'emploi du vérin de contrôle
Le talon ne se soulève pas suffisamment pendant la phase pendulaire	Voir le mode d'emploi du vérin de contrôle
L'utilisateur subit un impact terminal	Voir le mode d'emploi du vérin de contrôle
Le dispositif ne s'étend pas complètement pendant la phase pendulaire	Voir le mode d'emploi du vérin de contrôle

Si, après avoir suivi ces instructions, vous rencontrez toujours des problèmes de fonctionnement, veuillez contacter l'équipe commerciale de votre région pour obtenir des conseils.

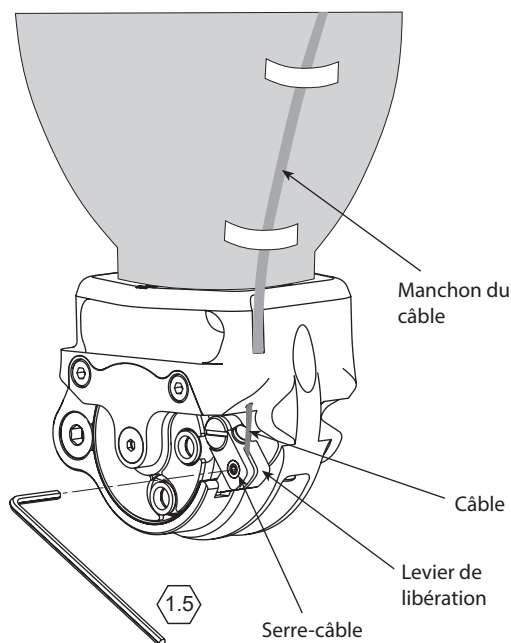
## 10 Pose du câble

Utilisez le kit de libération de la cuisse (239640) - disponible séparément.

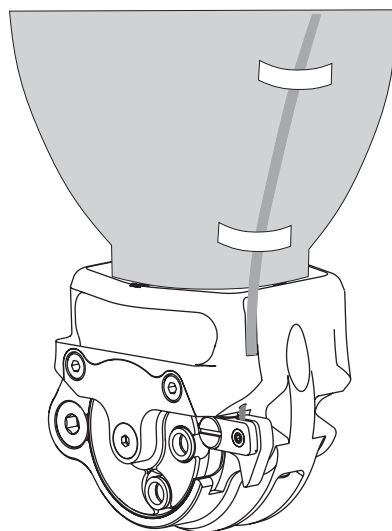
*Les instructions de cette section sont destinées à être utilisées par des praticiens.*

1. Posez le câble contre l'emboîture et placez le manchon à l'intérieur du contre-alésage à l'avant du châssis (tenez compte des modifications de l'alignement).
2. Faites passer le câble intérieur dans le trou du châssis.
3. Faites passer le câble dans le serre-câble et fixez-le en le serrant sur la partie étamée à l'extrémité du câble.
4. Lors de la pose du câble sur le dispositif de libération de la cuisse, assurez-vous que le levier de libération agit contre la rotule pour déverrouiller le genou selon les besoins.
5. Reportez-vous aux instructions de montage fournies avec le kit de libération de la cuisse.

**Genou verrouillé**



**Genou déverrouillé**



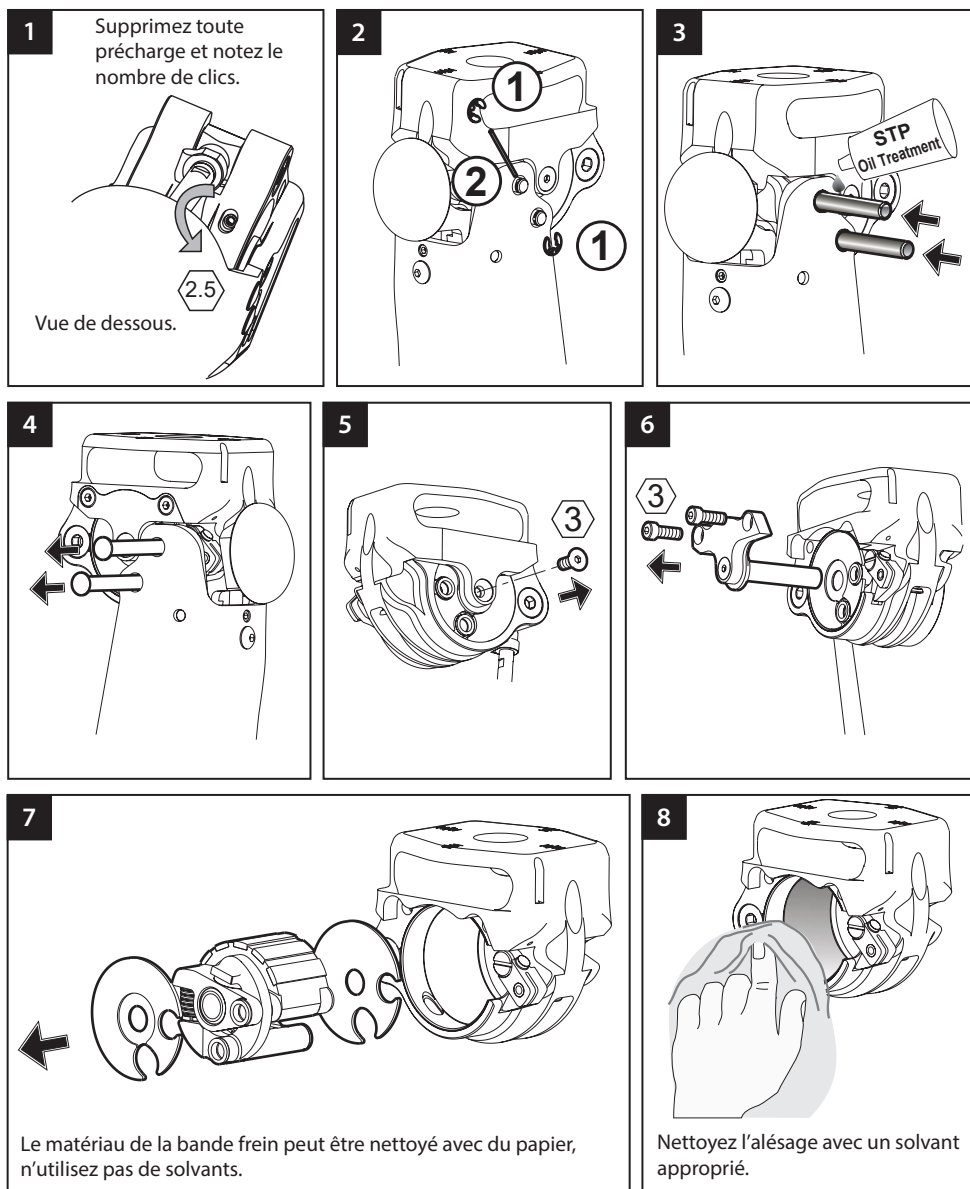
Les éléments de la rotule et du tibia ne sont pas représentés pour des raisons de clarté.

Pour le réglage du dispositif de contrôle de la phase pendulaire, reportez-vous au mode d'emploi du PSPC 938057.

# 11 Instructions de montage

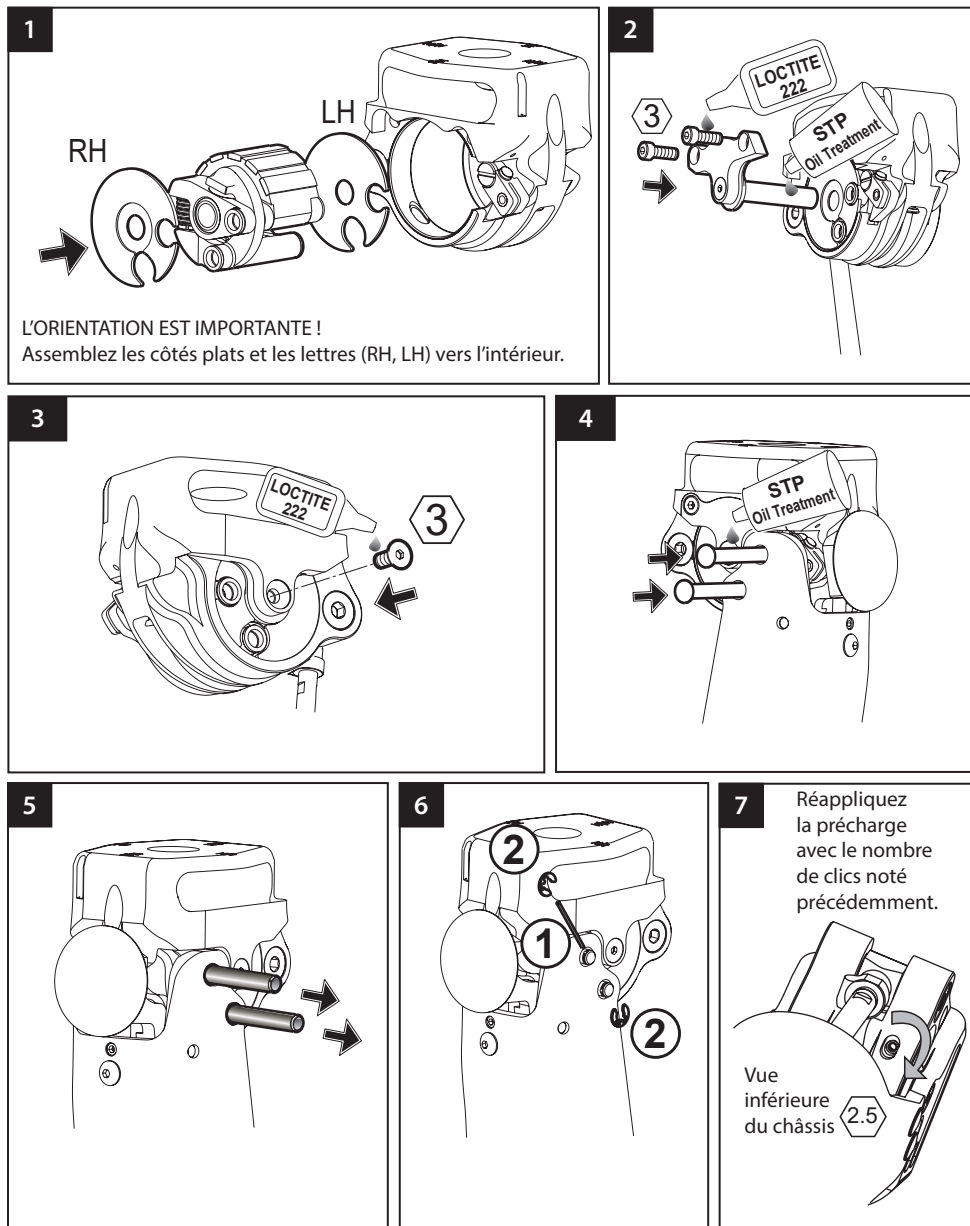
Les instructions de cette section sont destinées à être utilisées par des praticiens.

## 11.1 Retirer le mécanisme ESK+



## 11.2 Remplacement du mécanisme ESK+

Les instructions de cette section sont destinées à être utilisées par des praticiens.

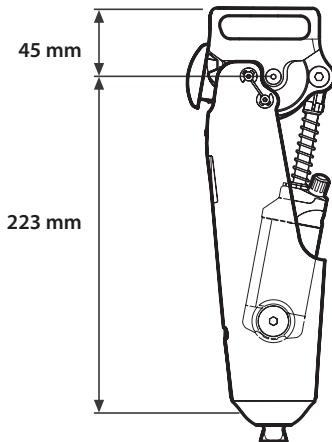




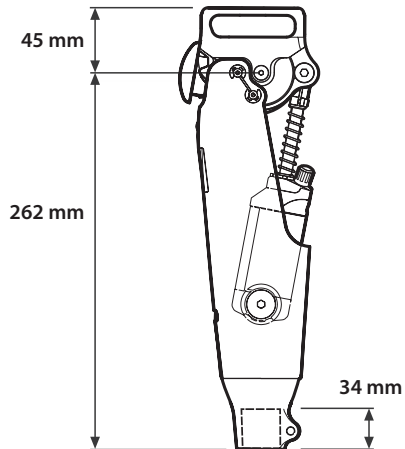
## 12 Données techniques

Plage de température de fonctionnement et de stockage :	-15 °C à 50 °C
Poids de l'élément :	1,2 kg
Niveau d'activité :	1-3
Poids maximum de l'utilisateur :	125 kg
Angle de flexion maximum :	115°
Attache d'alignement proximale :	Boulon unique (Blatchford)
Attache d'alignement distale :	Serre-tube de 30 mm ou pyramide mâle (Blatchford)
Hauteur de construction :	Voir les schémas ci-dessous.

### Encombrement



**ESK+ MKL avec  
pyramide distale**



**ESK+ MKL avec  
serre-tube distal de 30 mm**

# 13 Pour commander

## Exemple de commande

	ESK+ avec genou à verrouillage manuel									
	Serre-tube distal de 30 mm					Pyramide distale				
Vérin pneumatique	ESK	SB	MKL	P	30	ESK	SB	MKL	P	PYR
	ESK+	Boulon unique	Verrouillage manuel du genou	PSPC	Serre-tube distal de 30 mm	ESK+	Boulon unique	Verrouillage manuel du genou	PSPC	Pyramide distale

## Pièces de rechange

Élément	Réf.
Genou ESK+ MKL	239440
Kit de libération de la cuisse	239640
Tige d'alignement du mécanisme de l'ESK	234914
Kit de mécanisme de stabilisation ESK+	239949

## Responsabilité

Le fabricant recommande d'utiliser le dispositif uniquement dans les conditions spécifiées et pour les usages prévus. Le dispositif doit être entretenu conformément au mode d'emploi fourni avec ce dernier. Le fabricant n'est pas responsable des conséquences négatives causées par des combinaisons de composants qu'il n'a pas lui-même autorisées.

## Conformité CE

Ce produit répond aux exigences du règlement européen UE 2017/745 relatif aux dispositifs médicaux. Ce produit a été classé comme dispositif de classe I selon les règles de classification énoncés à l'Annexe VIII de la réglementation. Le certificat de déclaration de conformité de l'UE est disponible à l'adresse internet suivante : [www.blatchford.co.uk](http://www.blatchford.co.uk).



Dispositif médical



Patient unique - usage multiple

## Compatibilité

La combinaison avec des produits de la marque Blatchford est approuvée sur la base d'essais conformes aux normes pertinentes et au règlement relatif aux dispositifs médicaux (RDM), y compris les essais structurels, la compatibilité dimensionnelle et le contrôle des performances sur le terrain.

La combinaison avec d'autres produits marqués CE doit être effectuée en vue d'une évaluation locale des risques documentée, effectuée par un praticien.

## Garantie

Ce dispositif est garanti 24 mois, la bande frein est garantie 12 mois.

L'utilisateur doit savoir que des changements ou des modifications non expressément approuvés peuvent annuler la garantie, les licences d'exploitation et les exemptions.

Consultez le site web de Blatchford pour obtenir la déclaration de garantie complète actuelle.

## Signalement des incidents graves

Dans le cas peu probable où un incident grave surviendrait en rapport avec ce dispositif, il doit être signalé au fabricant et à votre autorité nationale compétente.

## Aspects environnementaux

Ce produit contient de l'huile hydraulique, des métaux et des plastiques mélangés. Dans la mesure du possible, les composants doivent être recyclés conformément aux réglementations locales en matière de traitement des déchets.

## Conserver l'étiquette de l'emballage

Il est conseillé au praticien de conserver l'étiquette de l'emballage comme trace du dispositif fourni.

## Siège social du fabricant

Blatchford Products Limited, Lister Road, Basingstoke RG22 4AH, Royaume-Uni

## Reconnaissance des marques

Blatchford est une marque déposée de Blatchford Products Limited.

Inhalt.....	36
1 Beschreibung und Verwendungszweck .....	37
2 Sicherheitsinformationen .....	39
3 Aufbau.....	40
4 Funktion.....	41
5 Wartung.....	41
6 Verwendungseinschränkungen.....	42
7 Statischer Aufbau.....	43
8 Ratschläge für Ausrichtung und Stabilitätsanpassung .....	44
9 Anpassung der manuellen Kniearretierung .....	45
9.1 Weitere Anpassungen .....	46
10 Anbringen der Kabel.....	47
11 Montageanweisungen .....	48
11.1 Entfernen des ESK+ Mechanismus .....	48
11.2 Austausch des ESK+ Mechanismus .....	49
12 Technische Daten.....	50
13 Bestellinformationen .....	51

# 1 Beschreibung und Verwendungszweck

Diese Gebrauchsanweisung ist für die Verwendung durch Fachpersonal und Anwender konzipiert, außer anderweitig angegeben.

Der Begriff „Produkt“ wird in dieser Gebrauchsanweisung durchgängig verwendet und bezieht sich auf manuelle ESK+ Knie-Produkte.

Stellen Sie bitte sicher, dass Sie die gesamte Gebrauchsanweisung gelesen und verstanden haben, insbesondere jegliche Anweisungen zu Sicherheit und Wartung.

## Anwendung

Dieses Produkt ist ausschließlich als Teil einer Prothese der unteren Extremität vorgesehen.

Das Produkt ist für einen einzelnen Anwender vorgesehen.

Das Produkt ist eine Knieeinheit, die als uniaxialer Rahmen für ein gewichtsaktiviertes, stabilisiertes Knie dient, welches wiederum als Stütze für die Prothese bei verschiedenen Schrittfrequenzen und auf unterschiedlichen Untergründen fungiert. Es soll die Sicherheit erhöhen und Kompensation reduzieren. Es ist mit einer PSPC-(pneumatische Schwunghasenkontrolle)-Einheit mit fester Einstellung verfügbar.

Das Produkt ist mit einer manuellen Kniearretierung (MKA) ausgestattet, die in Situationen, die zusätzliche Sicherheit erfordern, aktiviert werden kann.

## Eigenschaften

	Manuell eingestellte PSPC	Manuelle Kniearretierung aktiviert
Begrenzte Standphasenflexion bei Gewichtsbelastung	✓	
Widerstandsfähiger Rahmen aus Karbonfaser	✓	✓
115 Grad Knieflexion	✓	
Einstellbare Empfindlichkeit der Kniestabilität	✓	
Unabhängige, manuell einstellbare Schwunghasenkontrollen für Flexion und Extension	✓	
Arretiertes Knie für längere Gewichtsbelastung und mehr Sicherheit		✓

## Mobilitätsklasse

Das Produkt eignet sich ideal für Anwender der Mobilitätsklasse 2, die in Situationen, in denen zusätzliche Sicherheit erforderlich ist, von der MKA profitieren können (es gelten Gewichtsbeschränkungen, siehe *Technische Daten*).

Außerdem könnten bestimmte Anwender der Mobilitätsklassen 1 und 3 in ähnlichen Situationen ebenfalls von der MKA profitieren. Eine derartige Entscheidung muss jedoch sorgfältig begründet werden.

### Mobilitätsklasse 1

Hat die Fähigkeit oder das Potenzial, eine Prothese bei Transfers oder beim Gehen auf ebenem Untergrund bei fester Schrittfrequenz zu nutzen. Typisch für Personen mit begrenzter oder unbegrenzter Mobilität im Haushalt.

### Mobilitätsklasse 2

Hat die Fähigkeit oder das Potenzial für Mobilität mit der Möglichkeit, niedrige Hindernisse in der Umwelt zu überwinden, beispielsweise Bordsteinkanten, Treppen oder unebenen Untergrund. Typisch für Personen mit begrenzter Mobilität in der Gesellschaft.

### Mobilitätsklasse 3

Hat die Fähigkeit oder das Potenzial, Mobilität mit variabler Schrittfrequenz zu erreichen. Typisch für allgemein mobile Personen mit der Fähigkeit, die meisten Hindernisse in der Umgebung zu überwinden, und mit beruflicher, therapeutischer oder sportlicher Betätigung, die eine Nutzung der Prothese über einfache Fortbewegung hinaus erfordert.

Das Produkt eignet sich nicht für Sportwettkämpfe. Für diese Anwender ist möglicherweise eine speziell gestaltete und optimal an ihre Anforderungen angepasste Prothese besser geeignet.

## Klinischer Nutzen

- Die gewichtsaktivierte Standphasenkontrolle und einstellbare Schwungkontrolle bieten einen reibungslosen, sicheren Gang mit freiem Knie.
- Mit der manuellen Arretierung kann der Patient das Knie bei Bedarf für mehr Sicherheit arretieren.

## Gegenanzeigen

Das Produkt eignet sich nicht für:

- Anwender mit extremer Muskelschwäche, Kontrakturen, die nicht korrekt versorgt werden können, oder propriozeptiver Dysfunktion einschließlich schlechtem Gleichgewichtssinn.
- Anwender mit kontralateralen Gelenkinstabilitäten oder -erkrankungen.
- Anwender mit komplizierten Leiden mit mehreren Behinderungen.
- Anwender, einschließlich Personen mit bilateraler, transfemorale Amputation, die für das Treppabgehen oder Sitzen eine Yielding-Funktion des Knies benötigen. Dies kann zu Schäden des Bremsmechanismus führen, was sich wiederum negativ auf Stabilität und Langlebigkeit auswirken kann.
- Anwender mit schlechter Handfunktion haben möglicherweise Schwierigkeiten bei der Bedienung der manuellen Kniearretierung.



**Anwender müssen vor Verwendung dieses Produkts eine Gangschulung erhalten.**



**Stellen Sie sicher, dass der Anwender die gesamte Gebrauchsanweisung verstanden hat, und beachten Sie insbesondere die Abschnitte mit Wartungs- und Sicherheitsinformationen.**

## 2 Sicherheitsinformationen



**Das Warnsymbol hebt wichtige Sicherheitsinformationen hervor.**



Bitte beachten Sie jederzeit, dass Finger leicht eingeklemmt werden können.



Sämtliche Veränderungen in der Leistung der Prothese, wie z. B. Instabilität, doppelte Wirkung, eingeschränkte oder ungleichmäßige Bewegung oder ungewöhnliche Geräusche, sollten Sie sofort Ihrem Dienstleister mitteilen.



Benutzen Sie beim Treppabgehen oder in ähnlichen Situationen immer ein Geländer (falls vorhanden).



Jegliche übermäßige Veränderungen der Fersenhöhe nach Fertigstellung der Ausrichtung können sich negativ auf die Funktion der Prothese auswirken.



Beim Autofahren dürfen nur entsprechend umgebaute Fahrzeuge verwendet werden. Alle Personen müssen beim Führen von Kraftfahrzeugen die jeweils geltenden Verkehrsvorschriften befolgen.



Beim Tragen schwerer Lasten ist Vorsicht geboten, da sie die Stabilität des Produkts negativ beeinflussen können.



Der Anwender sollte sein Fachpersonal kontaktieren, wenn sich sein Zustand verändert.



Vermeiden Sie jede Aussetzung gegenüber extremer Wärme und/oder Kälte.



Montage, Wartung und Reparatur des Produkts dürfen nur von ausreichend qualifiziertem Fachpersonal ausgeführt werden.

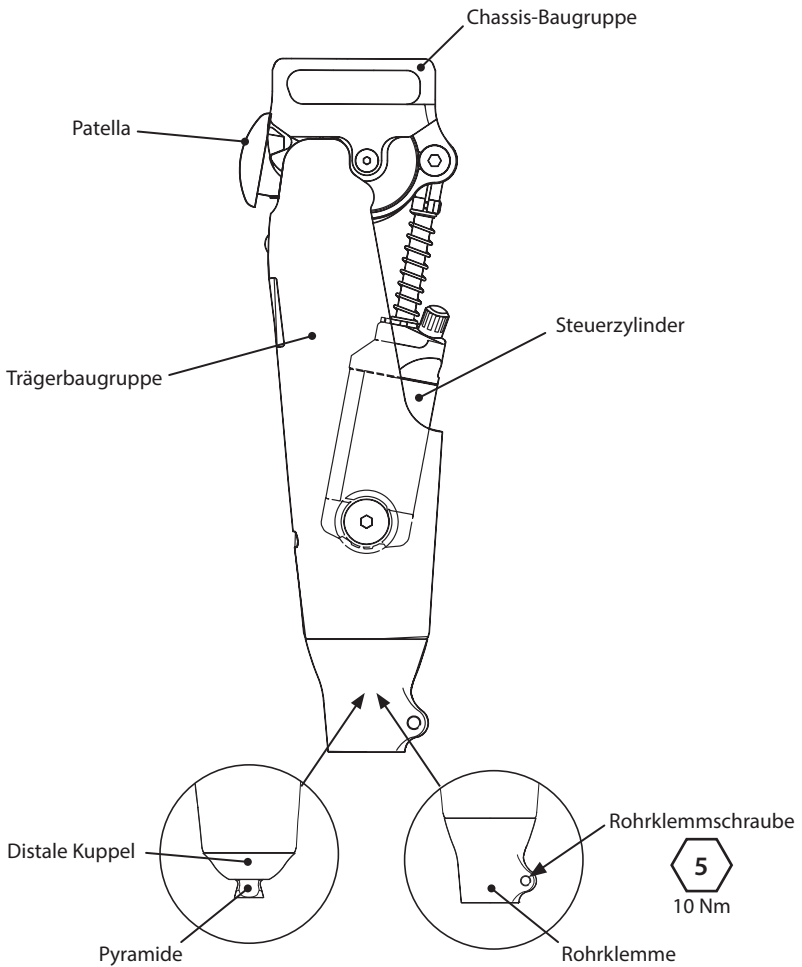


Das Produkt darf nicht im Wasser oder beim Duschen genutzt werden. Wenn die Extremität mit Wasser in Berührung kommt, sollte sie umgehend trocken gewischt werden.

# 3 Aufbau

## Hauptteile

- Trägerbaugruppe      Karbonfaserverbundmaterial und Edelstahl
- Chassis-Baugruppe    Aluminiumlegierung, Edelstahl, technisches Thermoplast, faserverstärktes (asbestfreies) Reibungsmaterial
- Steuerzylinder        Aluminiumlegierung, Edelstahl, Titan, technisches Thermoplast
- Distale Kuppel        Aluminiumlegierung
- Distale Pyramide     Titan mit Edelstahlbolzen
- Distale Rohrklemme   Aluminiumlegierung
- Patella                Technisches Thermoplast





---

## 4 Funktion

Das Produkt ist eine uniaxiale Konstruktion mit einem Knie-Drehpunkt, der eine Chassis mit einem Träger verbindet. Innerhalb der Chassis befindet sich ein gewichtsaktivierter, stabilisierender Kniemechanismus. Der Stabilisierungsmechanismus hat eine resiliente Wirkung, die begrenzte Standphasenflexion unter Belastung ermöglicht und so Stoßbelastungen beim Auftreffen der Ferse aufnimmt.

Das Produkt enthält einen manuellen Kniearretierungsmechanismus, der nach Aktivierung durch den Anwender bei voller Knieextension automatisch einrastet und eine weitere Knieflexion verhindert, unabhängig vom aufgebrachten Körpergewicht.

Bei Deaktivierung kehrt das Knie zur gewichtsaktivierten Stabilisierung zurück.

In der Trägerbaugruppe befindet sich ein pneumatischer Steuerzylinder zwischen dem posterioren Drehpunkt der Chassis und dem distalen Drehpunkt des Trägers.

Der Zylinder verfügt über manuell einstellbare Ventile für unabhängige Kontrolle des Flexions- und Extensionswiderstands während der Schwungphase.

---

## 5 Wartung

Führen Sie regelmäßig eine Sichtprüfung des Produkts durch.

Teilen Sie jegliche Veränderungen der Leistung dieses Produkts der Fachkraft bzw. dem Dienstleister mit, z. B. ungewöhnliche Geräusche, erhöhte Steifigkeit oder eingeschränkte/übermäßige Rotation, starken Verschleiß oder deutliche Verfärbungen durch lange Einwirkung von UV-Strahlung.

Informieren Sie die Fachkraft oder den Dienstleister über Veränderungen des Körpergewichts und/oder Aktivitätsniveaus.

### Reinigung

Reinigen Sie die äußeren Oberflächen mit einem feuchten Tuch und milder Seife. Verwenden Sie KEINE aggressiven Reiniger.

***Die übrigen Anweisungen in diesem Abschnitt richten sich ausschließlich an Fachpersonal.***

Diese Wartung darf nur von kompetenten Personen (Techniker oder ausreichend geschultes Fachpersonal) durchgeführt werden.

Zum Erhalt einer optimalen Leistung wird die regelmäßige Inspektion auf ungewöhnliche Geräusche, Spiel und Stabilität empfohlen. Der Zeitraum zwischen Inspektionen hängt von Faktoren wie der Aktivität des Anwenders, der Nutzungshäufigkeit und der Stabilitätseinstellung des Knies ab.

Zur Orientierung: Liegt die Einstellung bei mindestens 6 Klicks und kommt der Anwender auf durchschnittlich 600.000 Schritte pro Jahr, wird eine jährliche Inspektion empfohlen.

Wir empfehlen, das Knie entsprechend den Stabilitätsanforderungen des Anwenders einzustellen, sodass optimale Stabilität und Langlebigkeit gewährleistet sind. Siehe Leitfaden/Flussdiagramm für die Anpassung.

Es wird ein Prothesen-Aktivitätsmonitor zur Bestimmung der Schrittzahl empfohlen.

Bei diesen Inspektionen Folgendes durchführen:

- Prüfen Sie das Produkt auf sichtbare Defekte, die die korrekte Funktion beeinträchtigen könnten.
- Prüfen Sie das Kabel für Oberschenkellösung auf Zustand und Funktion.
- Zerlegen und reinigen Sie den Kniemechanismus, und bauen ihn erneut zusammen.

Weisen Sie den Anwender darauf hin, dass eine regelmäßige Sichtprüfung des Produktes empfohlen wird und dass jegliche Leistungsveränderungen des Produkts dem Dienstleister mitgeteilt werden müssen. Leistungsveränderungen können umfassen: Zu- oder Abnahme der Kniestufigkeit, Instabilität, verringerte Knie-Unterstützung (freie Bewegung), ungewöhnliche Geräusche.

### **Aufbewahrung und Handhabung**

Bei der Aufbewahrung über längere Zeiträume muss das Produkt trocken und bei einer Temperatur zwischen -15 °C und 50 °C gelagert werden.

Verwenden Sie die mitgelieferte Produktverpackung.

---

## **6 Verwendungseinschränkungen**

### **Vorgesehene Lebensdauer:**

Es sollte eine lokale Risikobeurteilung basierend auf Mobilität und Nutzung durchgeführt werden.

### **Heben von Lasten**

Das Gewicht und die Mobilität des Anwenders werden von den angegebenen Grenzwerten bestimmt.

In einer lokalen Risikobewertung sollte ermittelt werden, wie viel Last der Anwender tragen kann.

### **Umwelt**

Vermeiden Sie den Kontakt des Produkts mit korrosiven Stoffen wie Wasser, Säuren und anderen Flüssigkeiten. Vermeiden Sie außerdem abrasive Umgebungen wie beispielsweise Sand, da dies zu vorzeitigem Verschleiß führen kann.

Das Produkt ist nur für die Nutzung bei Temperaturen zwischen -15 °C und 50 °C vorgesehen.



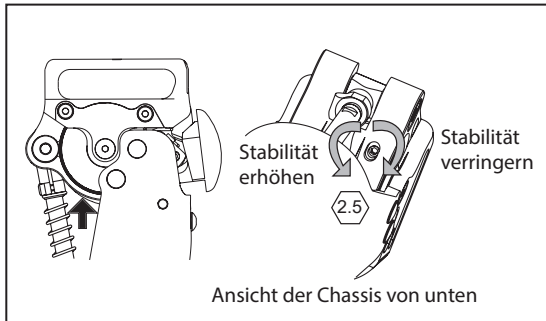
Für den Außenbereich geeignet

## 7 Statischer Aufbau

Die Anweisungen in diesem Abschnitt richten sich ausschließlich an Fachpersonal.

### Laufversuche

#### Einstellung für Federsäule



Bringen Sie die Prothese in vollständige Extension, um auf die Anpassung zuzugreifen.

Drehen Sie die ANPASSUNG DER FEDERSÄULE, um die gewünschte Stabilität für den individuellen Anwender zu erreichen.

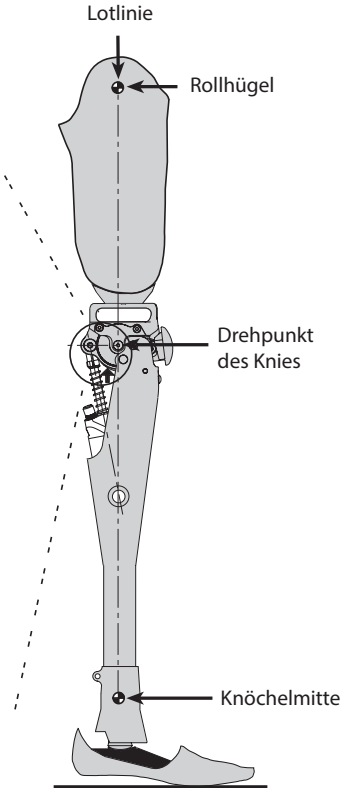
Hinweis... Bei der Anpassung sind deutliche Klickgeräusche zu hören, und die Anpassung ist selbstarretierend.

Ziehen Sie die FEDERSÄULE an, um die Stabilität zu reduzieren.

Lösen Sie die FEDERSÄULE, um die Stabilität zu erhöhen – siehe oben.

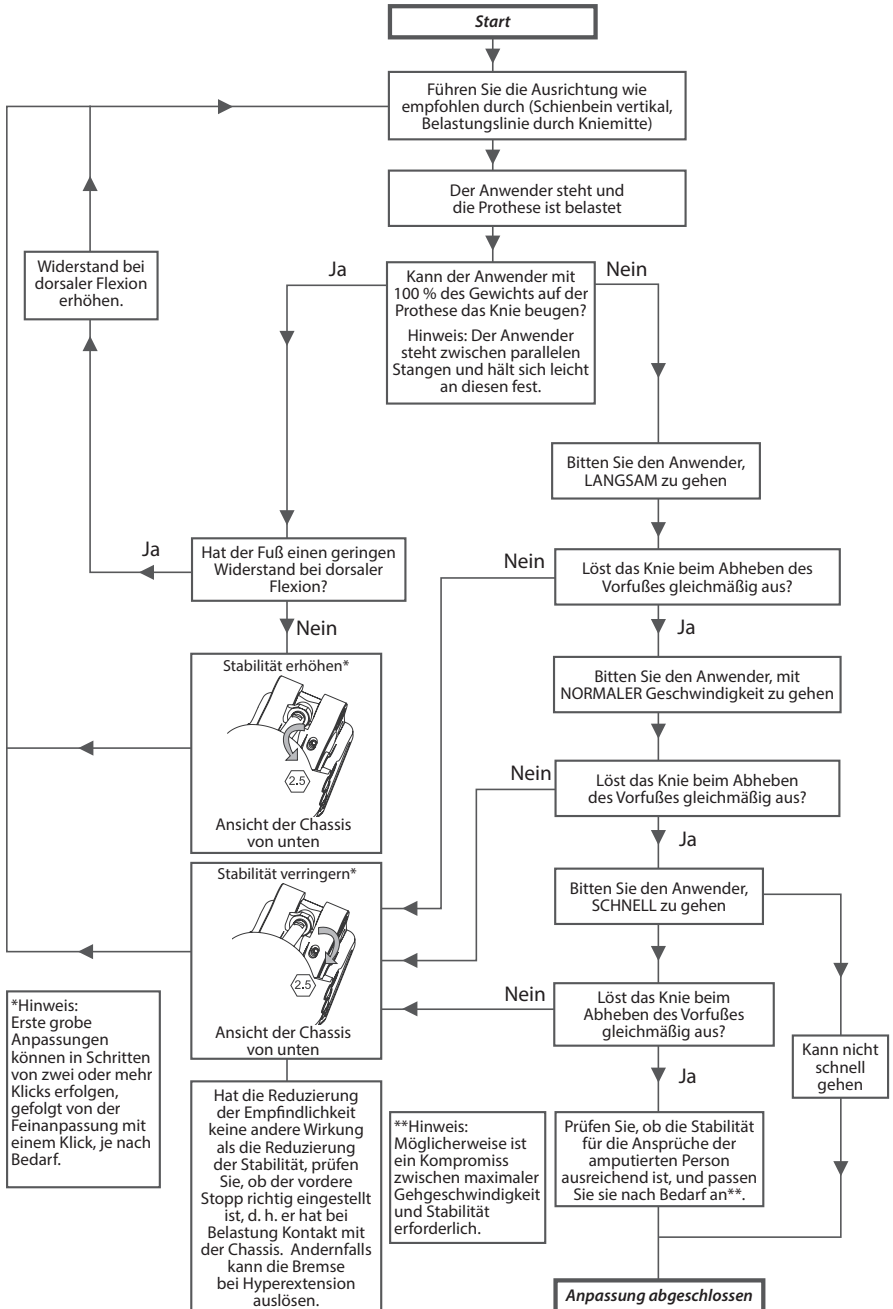
Bei Bedarf kann die Anpassung auf die Werkseinstellung zurückgesetzt werden.

Dies ist möglich, indem die Stabilität um sechs hörbare Klicks ab der maximalen Stabilitätseinstellung reduziert wird.



# 8 Ratschläge für Ausrichtung und Stabilitätsanpassung

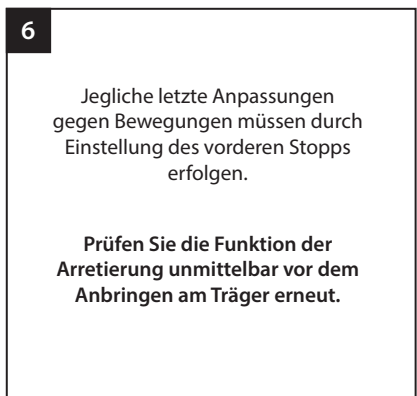
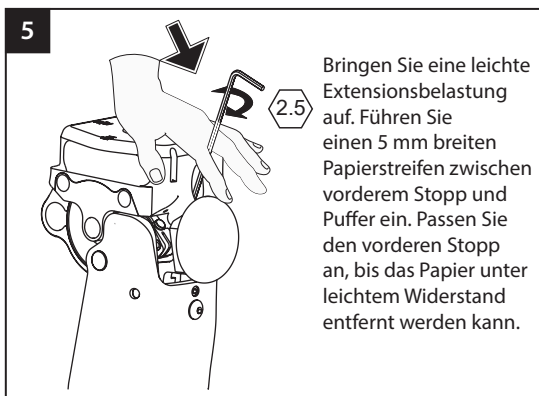
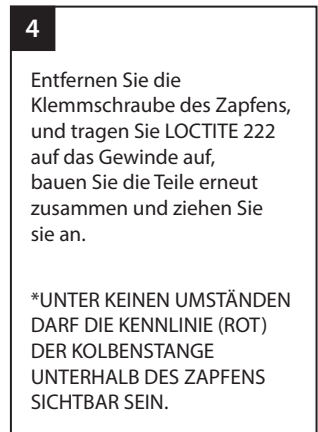
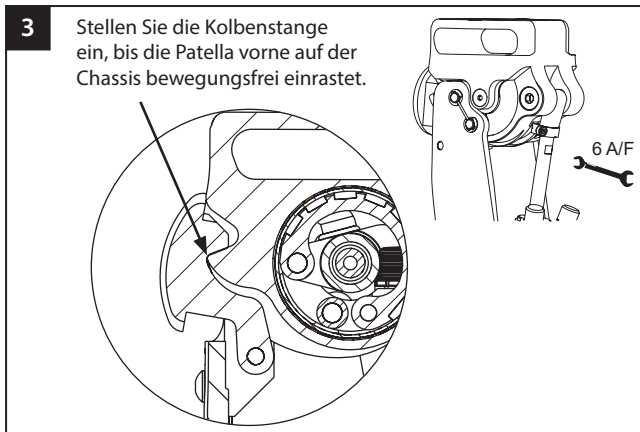
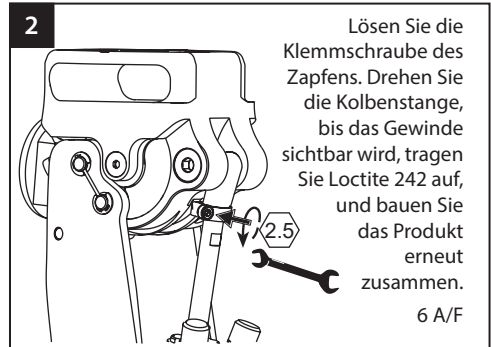
Die Anweisungen in diesem Abschnitt richten sich ausschließlich an Fachpersonal.



## 9 Anpassung der manuellen Kniearretierung

Die Anweisungen in diesem Abschnitt richten sich ausschließlich an Fachpersonal.

(Diese Anpassungen werden werkseitig durchgeführt; sollten jedoch weitere Anpassungen notwendig sein, müssen diese Schritte befolgt werden.)



## 9.1 Weitere Anpassungen

*Die Anweisungen in diesem Abschnitt richten sich ausschließlich an Fachpersonal.*

Symptom	Lösung
Knie stabilisiert sich nicht	Empfindlichkeit erhöhen
	Schaft nach anterior verlagern
	Den Stabilisierungsmechanismus ersetzen, falls die Hinterkante der Bremse beschädigt ist
Knie löst sich nicht	Empfindlichkeit verringern
	Einstellung des vorderen Stopps prüfen
	Schaft nach posterior verlagern
Kniearretierung rastet nicht ein	Prüfen Sie, ob die Kniearretierung nicht durch die Kosmeseverkleidung (falls vorhanden) gestört/ eingeschränkt wird
Spiel/Bewegung in der Kniearretierung	Einstellung der Kolbenstange prüfen
Fersenhebung während des Schwungs zu hoch	Siehe Gebrauchsanweisung für Steuerzylinder
Fersenhebung während des Schwungs zu niedrig	Siehe Gebrauchsanweisung für Steuerzylinder
Anwender spürt Stoß beim Auftreffen	Siehe Gebrauchsanweisung für Steuerzylinder
Produkt führt während des Schwungs keine vollständige Extension durch	Siehe Gebrauchsanweisung für Steuerzylinder

Falls nach Befolgen dieser Anweisungen weiterhin Probleme mit der Funktion auftreten, wenden Sie sich für weitere Ratschläge bitte an das Vertriebsteam in Ihrer Region.

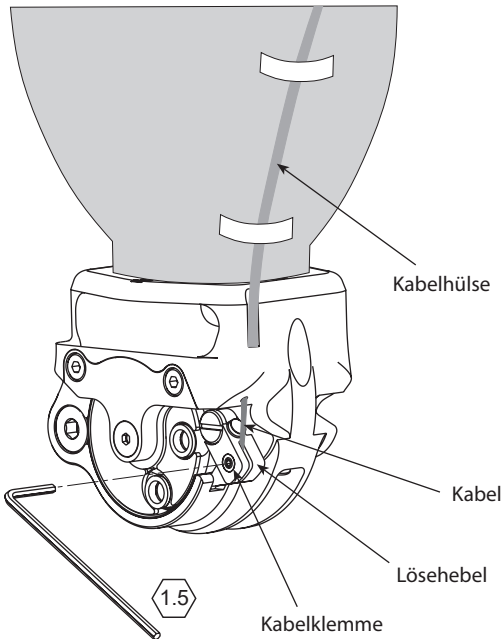
## 10 Anbringen der Kabel

Verwenden Sie das Kit für Oberschenkelösung (239640) – separat erhältlich.

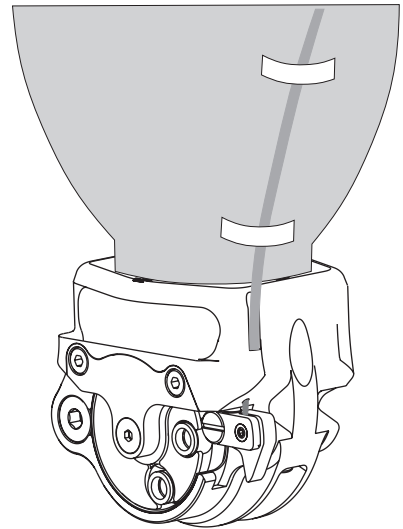
**Die Anweisungen in diesem Abschnitt richten sich ausschließlich an Fachpersonal.**

1. Legen Sie das Kabel am Schaft an und ermitteln die Position der Hülse in der Senkung vor der Chassis (Raum für Änderungen der Ausrichtung lassen).
2. Führen Sie das innere Kabel durch die Bohrung in der Chassis.
3. Führen Sie das Kabel durch die Kabelklemme, und sichern Sie es, indem Sie die Klemme am verzinnten Ende des Kabels anbringen.
4. Stellen Sie beim Anbringen des Kabels an der Oberschenkelösung sicher, dass der Lösehebel das Knie bei Bedarf über die Patella entriegelt.
5. Siehe Montageanweisungen des Kits für Oberschenkelösung.

**Knie arretiert**



**Knie entriegelt**




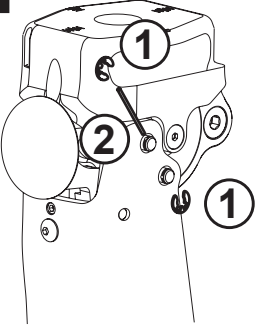
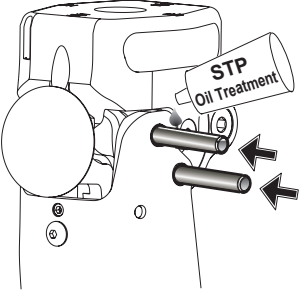
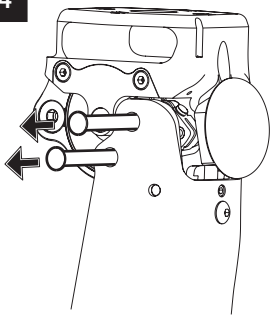
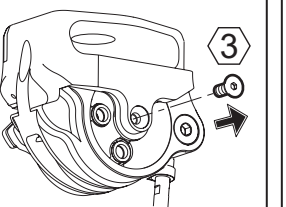
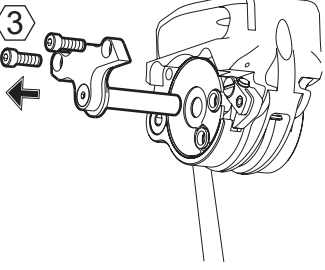
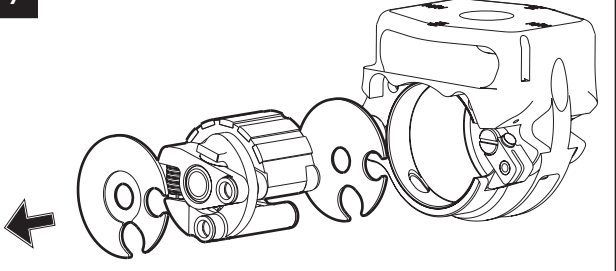
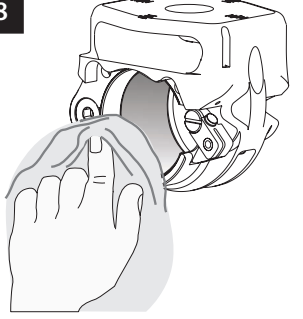
Patella und Schienbeinkomponenten sind aus Gründen der Übersichtlichkeit nicht dargestellt.

Zur Anpassung der Schwungkontrolle siehe PSpC-Gebrauchsanweisung 938057.

# 11 Montageanweisungen

Die Anweisungen in diesem Abschnitt richten sich ausschließlich an Fachpersonal.

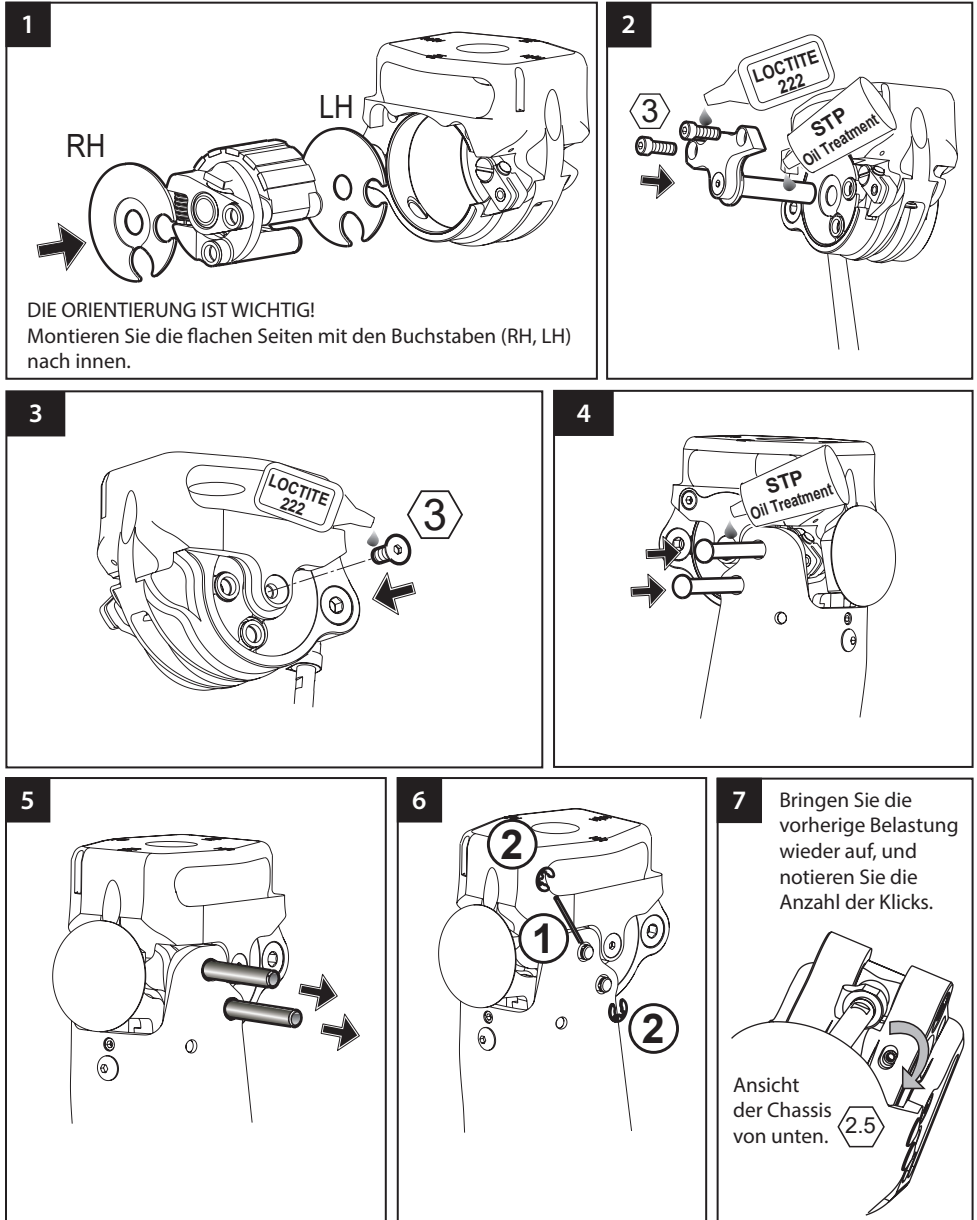
## 11.1 Entfernen des ESK+ Mechanismus

<p><b>1</b> Entfernen Sie alle bestehenden Belastungen, und notieren Sie die Anzahl der Klicks</p>  <p>Ansicht von unten.</p>	<p><b>2</b></p> 	<p><b>3</b></p> 
<p><b>4</b></p> 	<p><b>5</b></p> 	<p><b>6</b></p> 
<p><b>7</b></p>  <p>Das Material des Bremsbands kann mit einem Papiertuch abgewischt werden. Keine Lösungsmittel verwenden.</p>		<p><b>8</b></p>  <p>Reinigen Sie die Bohrung mit einem geeignetem Lösungsmittel.</p>



## 11.2 Austausch des ESK+ Mechanismus

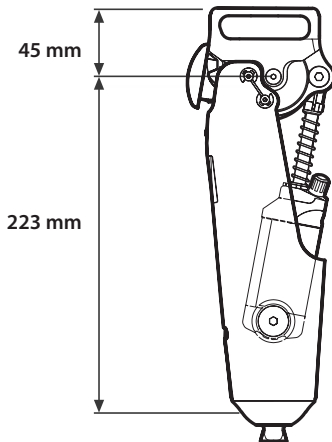
Die Anweisungen in diesem Abschnitt richten sich ausschließlich an Fachpersonal.



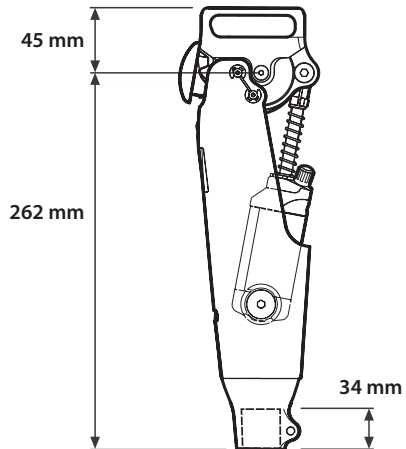
## 12 Technische Daten

Temperaturbereich für Betrieb und Lagerung:	-15 °C bis 50 °C
Komponentengewicht:	1,2 kg
Mobilitätsklasse:	1–3
Maximales Anwendergewicht:	125 kg
Maximaler Flexionswinkel:	115°
Proximaler Befestigungsanschluss:	Einzelschraube (Blatchford)
Distaler Befestigungsanschluss:	30 mm-Rohrklemme oder Pyramide (Blatchford)
Aufbauhöhe:	Siehe nachfolgende Darstellungen.

### Anpassungslänge



**ESK+ MKA mit distaler  
Pyramide**



**ESK+ MKA mit distaler  
30 mm-Rohrklemme**

# 13 Bestellinformationen

## Bestellbeispiel

	ESK+ mit manueller Kniearretierung									
	Distale 30 mm-Rohrklemme					Distale Pyramide				
Pneumatik- zylinder	ESK	SB	MKA	P	30	ESK	SB	MKA	P	PYR
	ESK+	Einzel- schraube	Manuelle Knie- arretierung	PSPC	Distale Rohr- klemme 30 mm	ESK+	Einzel- schraube	Manuelle Knie- arretierung	PSPC	Distale Pyramide

## Ersatzteile

Artikel	Teile- Nr.
ESK+ Knie-Baugruppe mit MKA	239440
Kit für Oberschenkellösung	239640
Ausrichtungsstift für ESK-Mechanismus	234914
ESK+ Kit für Stabilisierungsmechanismus	239949

## Haftung

Der Hersteller empfiehlt, das Produkt nur unter den angegebenen Bedingungen und für die angegebenen Zwecke zu verwenden. Das Produkt muss entsprechend der mit dem Produkt gelieferten Gebrauchsanweisung gewartet werden. Der Hersteller haftet nicht für nachteilige Ergebnisse, die durch nicht autorisierte Komponentenkombinationen entstanden sind.

## CE-Konformität

Dieses Produkt erfüllt die Anforderungen der europäischen Richtlinie EU 2017/745 für Medizinprodukte. Dieses Produkt wurde entsprechend den Klassifizierungskriterien in Anhang VIII der Richtlinie als Produkt der Klasse I klassifiziert. Das Zertifikat der EU-Konformitätserklärung ist unter der folgenden Internetadresse verfügbar:

[www.blatchford.co.uk](http://www.blatchford.co.uk).



Medizinprodukt



Ein Patient – Mehrfachverwendung

## Kompatibilität

Die Kombination mit Produkten der Marke Blatchford ist zulässig basierend auf Tests gemäß den geltenden Normen und der MDR mit strukturellen Tests, dimensionaler Kompatibilität und überwachter Praxisleistung.

Die Kombination mit alternativen, CE-gekennzeichneten Produkten darf nur nach einer dokumentierten lokalen Risikobeurteilung durch eine Fachkraft erfolgen.

## Garantie

Das Produkt verfügt über eine 24-monatige, und das Bremsband über eine 12-monatige Garantie.

Der Anwender muss sich bewusst sein, dass nicht ausdrücklich genehmigte Änderungen oder Modifikationen zum Verfall der Garantie, Betriebsgenehmigung und Ausnahmen führen können.

Auf der Blatchford-Website finden Sie die aktuellen, detaillierten Garantiebedingungen.

## Bericht schwerer Zwischenfälle

Im unwahrscheinlichen Fall eines schweren Zwischenfalls in Verbindung mit diesem Produkt muss der Zwischenfall dem Hersteller und der für Ihr Land zuständigen Behörde gemeldet werden.

## Umweltaspekte

Dieses Produkt enthält Hydrauliköl, verschiedene Metalle und Kunststoffe. Wenn möglich, sollten die Komponenten entsprechend den vor Ort geltenden Abfallvorschriften recycelt werden.

## Aufbewahrung des Verpackungsetiketts

Die Fachkraft sollte das Verpackungsetikett als Aufzeichnung zum gelieferten Produkt aufbewahren.

## Eingetragene Adresse des Herstellers

Blatchford Products Limited, Lister Road, Basingstoke RG22 4AH, Vereinigtes Königreich.

## Hinweise zu Handelsmarken

Blatchford ist eine eingetragene Marke von Blatchford Products Limited.

Indice .....	53
1 Descrizione e finalità .....	54
2 Informazioni sulla sicurezza .....	56
3 Struttura.....	57
4 Funzionamento.....	58
5 Manutenzione .....	58
6 Limiti di utilizzo.....	59
7 Allineamento statico .....	60
8 Indicazioni per l'allineamento e regolazione della stabilità .....	61
9 Regolazione del blocco manuale del ginocchio .....	62
9.1 Altre regolazioni .....	63
10 Montaggio del cavo .....	64
11 Istruzioni di montaggio.....	65
11.1 Rimozione del meccanismo ESK+ .....	65
11.2 Sostituzione del meccanismo ESK+ .....	66
12 Dati tecnici.....	67
13 Informazioni sulle ordinazioni .....	68

# 1 Descrizione e finalità

Le presenti istruzioni per l'uso sono destinate ai tecnici ortopedici e ai pazienti, fatto salvo quanto diversamente specificato.

Il termine dispositivo è utilizzato in questo documento per fare riferimento ai prodotti ESK+ ginocchio ad azionamento manuale.

Si prega di leggere e accertarsi di avere compreso tutte le istruzioni per l'uso, in particolare tutte le informazioni sulla sicurezza e le istruzioni sulla manutenzione.

## Applicazione

Questo dispositivo deve essere utilizzato esclusivamente quale parte di una protesi di arto inferiore.

Questo dispositivo è destinato a un solo utente.

Il dispositivo è un'unità ginocchio con telaio monoassiale per un ginocchio stabilizzato attivato dal peso che offre supporto per la protesi a cadenze variabili su diversi terreni e ha lo scopo di aumentare la sicurezza e ridurre la compensazione. È disponibile con una unità PSPC (controllo pneumatico nella fase di oscillazione) a impostazione fissa.

Il dispositivo è dotato di un blocco per ginocchio ad azionamento manuale che può essere attivato in situazioni che richiedono una maggiore sicurezza.

## Caratteristiche

	PSPC regolato manualmente	Blocco del ginocchio manuale attivato
Flessione in appoggio limitata in fase di carico	✓	
Telaio robusto in fibra di carbonio	✓	✓
Flessione del ginocchio di 115 gradi	✓	
Sensibilità regolabile della stabilità del ginocchio	✓	
Controlli indipendenti dell'oscillazione regolabili manualmente per flessione ed estensione	✓	
Ginocchio bloccato per carico del peso prolungato e maggiore sicurezza		✓

## **Livello di attività**

Questo dispositivo è adatto per pazienti con livello di attività 2 che possono beneficiare del blocco manuale del ginocchio in situazioni che richiedono maggiore sicurezza (si applicano limiti di peso, vedi *Dati tecnici*).

In situazioni simili, anche alcuni pazienti con livello di attività 1 e 3 possono beneficiare di questa funzione. Ma tale decisione deve essere ben ponderata e valutata su elementi precisi.

### **Livello di attività 1**

Ha la capacità o la potenzialità di usare una protesi per il passaggio o la deambulazione su superfici piane a cadenza fissa. Situazione tipica del paziente che deambula all'interno della propria abitazione in modo limitato o illimitato.

### **Livello di attività 2**

Ha la capacità o la potenzialità di deambulare riuscendo a superare barriere architettoniche di basso livello quali marciapiedi, scale o superfici irregolari. Situazione tipica del paziente che deambula fuori dalla propria abitazione in modo limitato.

### **Livello di attività 3**

Ha la capacità o il potenziale per deambulare con cadenza variabile. Situazione tipica del paziente che deambula fuori dalla propria abitazione, che è in grado di superare la maggior parte delle barriere architettoniche e che può svolgere attività professionali, terapeutiche o fisiche che richiedono l'uso di protesi al di là della semplice deambulazione.

Il dispositivo non è idoneo per l'uso in gare sportive agonistiche. Per questi tipi di pazienti è più indicata una protesi progettata in modo specifico e ottimizzata per le loro esigenze.

## **Vantaggi clinici**

- Il supporto in appoggio attivato dal peso e il controllo regolabile dell'oscillazione garantiscono un'andatura sicura e lineare con un ginocchio libero.
- Il blocco con azionamento manuale permette al paziente di bloccare il ginocchio per una maggiore sicurezza nelle situazioni in cui è necessaria.

## **Controindicazioni**

Questo dispositivo non è idoneo per:

- Pazienti con debolezza muscolare estrema, contratture non trattabili correttamente o disfunzioni propriocettive compreso lo scarso equilibrio.
- Pazienti con instabilità o patologie dell'articolazione controlaterale.
- Pazienti con condizioni complicate che comprendono molteplici disabilità.
- I pazienti, compresi coloro che hanno subito amputazioni transfemorali bilaterali, che richiedono una funzione in carico dal ginocchio per scendere le scale o sedersi. Ciò può provocare un danno al meccanismo di freno che può compromettere la stabilità e la durata.
- I pazienti con scarsa funzione manuale possono avere difficoltà nell'attivare il blocco manuale.



**I pazienti devono seguire una riabilitazione all'andatura prima di utilizzare il dispositivo.**



**Accertarsi che il paziente abbia compreso tutte le istruzioni per l'uso, richiamando in particolare l'attenzione sulle sezioni relative alla manutenzione e alla sicurezza.**

## 2 Informazioni sulla sicurezza



Questo simbolo evidenzia importanti informazioni sulla sicurezza.



Prestare costantemente attenzione al rischio di intrappolamento delle dita.



Tutte le variazioni alle prestazioni dell'arto, ad esempio instabilità, doppia azione, limitazioni del movimento, movimento non fluido devono essere segnalate immediatamente al tecnico ortopedico.



Appoggiarsi sempre a un corrimano nella discesa delle scale e in qualsiasi altro momento, se disponibile.



Tutte le variazioni eccessive nell'altezza del tallone dopo l'allineamento possono influire negativamente sul funzionamento dell'arto.



Assicurarsi di guidare solo veicoli modificati. Tutte le persone sono tenute a osservare i rispettivi codici della strada quando si trovano alla guida di veicoli a motore.



Prestare attenzione al trasporto di carichi pesanti poiché questi possono compromettere la stabilità del dispositivo.



In caso di variazione delle condizioni, si raccomanda al paziente di contattare il proprio tecnico ortopedico.



Evitare l'esposizione a calore e/o freddo molto intensi.



Il montaggio, la manutenzione e la riparazione del dispositivo devono essere eseguiti solo dal personale competente.



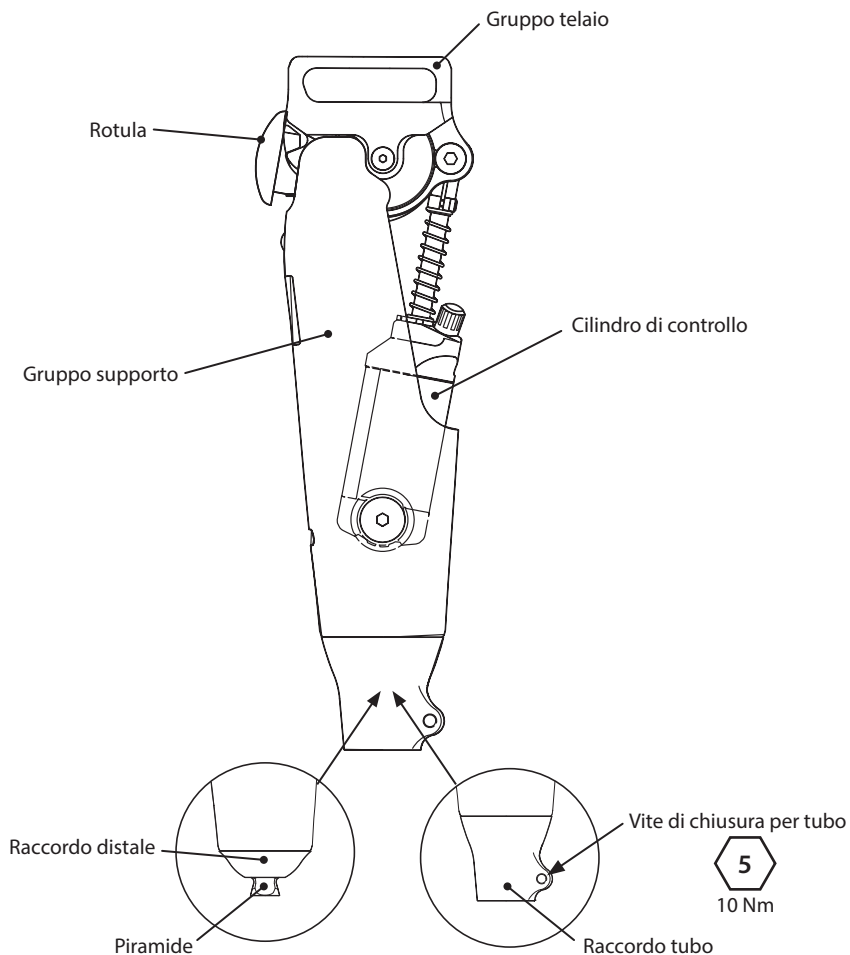
Il dispositivo non è destinato all'uso per immersioni in acqua o quale protesi per doccia. Se entra a contatto con l'acqua, asciugarlo immediatamente.



### 3 Struttura

#### Componenti principali

- Gruppo supporto Composito in fibra di carbonio e acciaio inossidabile
- Gruppo telaio Lega di alluminio, acciaio inossidabile, termoplastica tecnica, fibra rinforzata, materiale di frizione senza amianto.
- Cilindro a controllo Lega di alluminio, acciaio inossidabile, titanio, termoplastica tecnica
- Raccordo distale Lega di alluminio
- Piramide Titanio con bullone in acciaio inossidabile
- Morsetto per tubo distale Lega di alluminio
- Rotula Termoplastica tecnica



---

## 4 Funzionamento

Il dispositivo è una struttura monoassiale composta da un perno che collega un telaio a un supporto. All'interno del telaio risiede un meccanismo stabilizzante del ginocchio attivato dal peso. Il meccanismo di stabilizzazione ha un'azione resiliente che fornisce una flessione in appoggio limitata per assorbire gli shock di carico all'appoggio del tallone.

Il dispositivo è dotato di un meccanismo di blocco del ginocchio azionato manualmente che, quando attivato dall'utente, si innesta automaticamente con il ginocchio in estensione totale ed impedisce qualsiasi flessione indipendentemente dal peso corporeo applicato.

Quando disattivato, il ginocchio torna alla stabilizzazione attivata dal peso.

All'interno di questa struttura risiede un cilindro di controllo pneumatico, montato tra il perno posteriore del telaio e il perno distale del supporto.

Il cilindro ha valvole regolabili manualmente che consentono un controllo indipendente della resistenza alla flessione e all'estensione durante la fase di oscillazione.

---

## 5 Manutenzione

Effettuare controlli visivi regolari del dispositivo.

Segnalare eventuali variazioni della prestazione del dispositivo al tecnico ortopedico, ad esempio rumori insoliti, aumento della rigidità o rotazione limitata/eccessiva, usura significativa o decolorazione dovuta a una lunga esposizione ai raggi UV.

Informare il tecnico ortopedico di tutti i cambiamenti di peso corporeo e/o del livello di attività.

### **Pulizia**

Pulire le superfici esterne con un panno umido e un detergente neutro. NON utilizzare detergenti aggressivi.

***Le restanti istruzioni della presente sezione sono destinate ai soli tecnici ortopedici.***

La manutenzione deve essere svolta solo da personale competente (tecnico ortopedico o altro tecnico esperto).

Per mantenere una performance ottimale si consiglia di effettuare un'ispezione periodica per verificare gioco, stabilità e presenza di rumori insoliti. Il periodo tra un'ispezione e l'altra è determinato da fattori quali l'attività del paziente, la frequenza di uso e l'impostazione di stabilità del ginocchio.

Indicativamente, se l'impostazione è di 6 clic o superiore e la media del paziente è di 600.000 passi all'anno, si consiglia un'ispezione annuale.

Consigliamo di regolare il ginocchio in base ai requisiti di stabilità dei singoli pazienti per garantire una stabilità e una durata ottimali. Vedi la guida alla regolazione/il diagramma di flusso.

Per il conteggio dei passi si consiglia di utilizzare un sistema di monitoraggio dell'attività dell'arto.

In occasione di queste ispezioni:

- Controllare la presenza di difetti visivi che possono interferire con il corretto funzionamento.
- Controllare le condizioni e il funzionamento corretto del cavo di rilascio coscia.
- Smontare, pulire e rimontare il meccanismo del ginocchio.

Si consiglia all'utente di effettuare un controllo visivo regolare del dispositivo e di segnalare al tecnico ortopedico eventuali cambiamenti nelle prestazioni del dispositivo. I cambiamenti nelle prestazioni possono riguardare: aumento o diminuzione della rigidità del ginocchio, instabilità, supporto ridotto del ginocchio (movimento libero), eventuali rumori insoliti.

### **Immagazzinamento**

Se inutilizzato per periodi lunghi, il dispositivo deve essere conservato in un luogo asciutto e a una temperatura compresa tra -15 °C e 50 °C.

Utilizzare l'imballaggio in dotazione con il prodotto.

---

## **6 Limiti di utilizzo**

### **Durata prevista:**

È necessario effettuare una valutazione del rischio specifica in base all'attività e all'utilizzo del dispositivo.

### **Sollevamento carichi**

Il peso e l'attività del paziente devono rispettare i limiti indicati.

Il peso trasportato dal paziente deve basarsi sulla valutazione del rischio specifico.

### **Ambiente**

Evitare l'esposizione del dispositivo a elementi corrosivi, quali acqua, acidi e altri liquidi. Evitare inoltre ambienti abrasivi come ad esempio quelli contenenti sabbia, poiché favoriscono l'usura prematura.

Utilizzare esclusivamente a temperature comprese tra -15 °C e 50 °C.



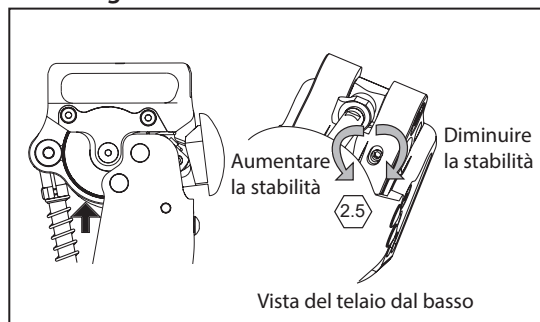
Adatto all'utilizzo in ambiente esterno

## 7 Allineamento statico

*Le istruzioni della presente sezione sono destinate ai soli tecnici ortopedici.*

### Prove di camminata

#### Regolatore della vite di carico



Stendere l'arto completamente per accedere alla regolazione.

Ruotare LA VITE DI CARICO per ottenere la stabilità desiderata per il paziente.

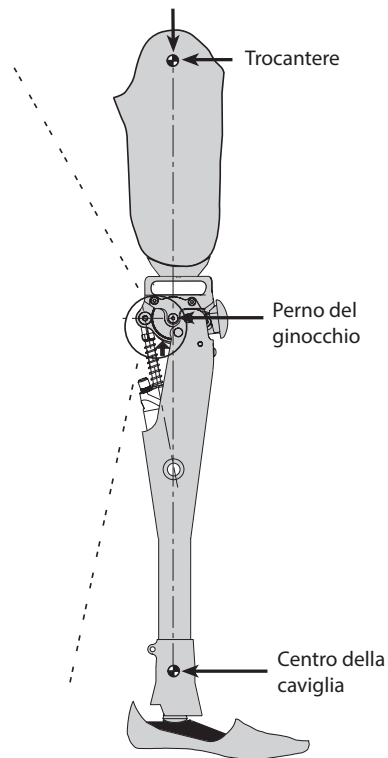
N.B.... In fase di regolazione si dovrebbero sentire clic acustici e il regolatore che si blocca autonomamente.

Serrare la VITE DI CARICO per ridurre la stabilità.

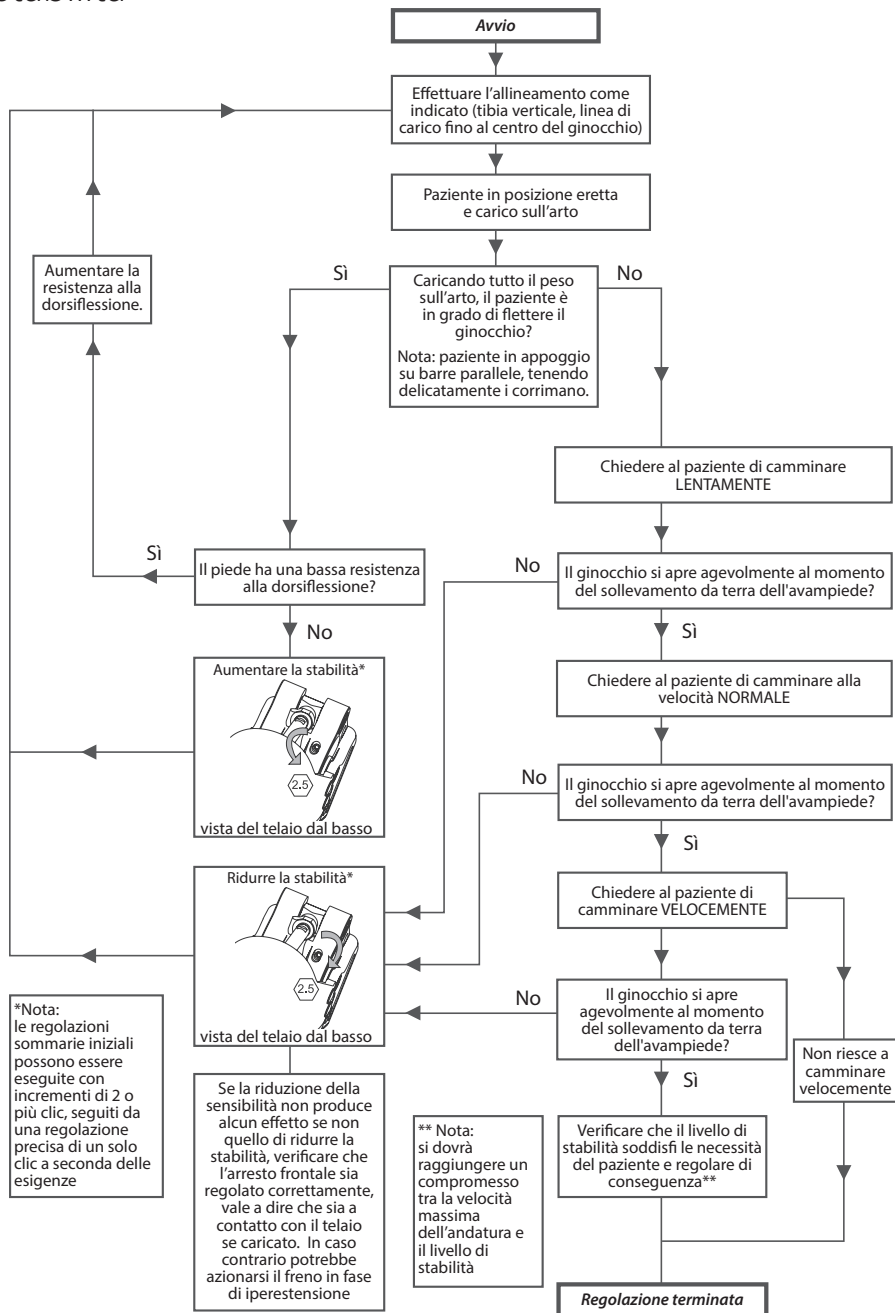
Rilasciare la VITE DI CARICO per aumentare la stabilità. Vedi sopra.

Se necessario si possono ripristinare le impostazioni di fabbrica per il regolatore. Per fare ciò ridurre la stabilità di 6 clic partendo dal livello massimo di stabilità.

Linea di costruzione



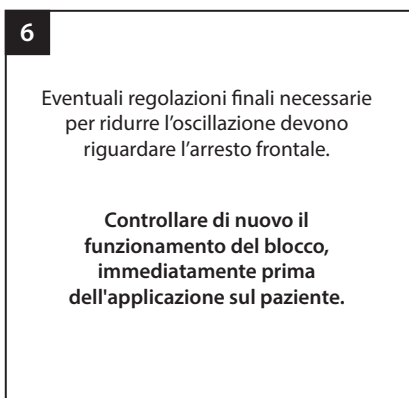
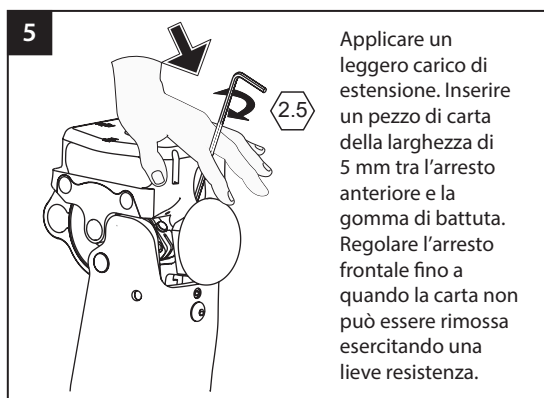
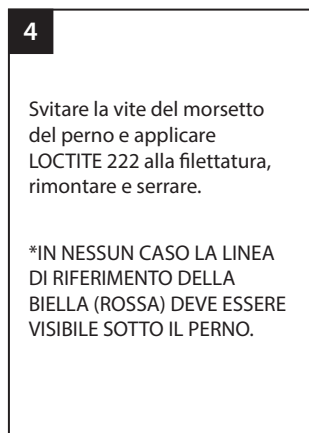
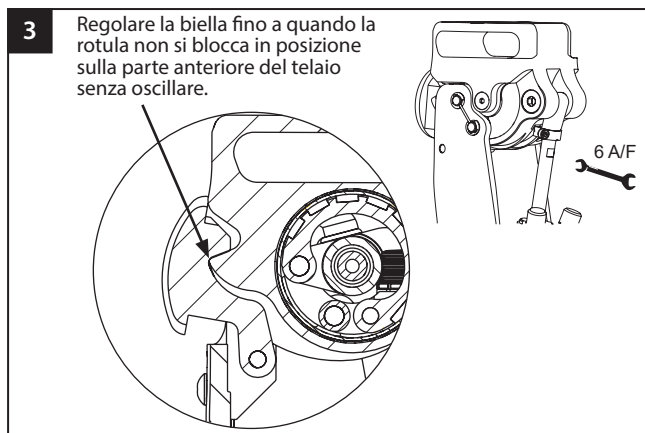
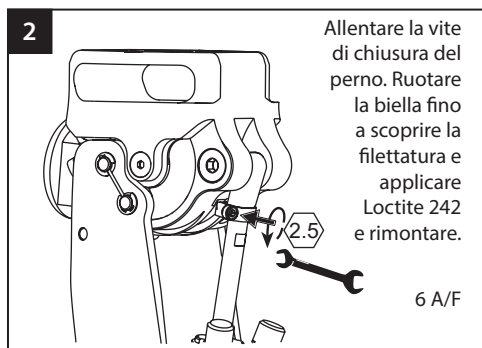
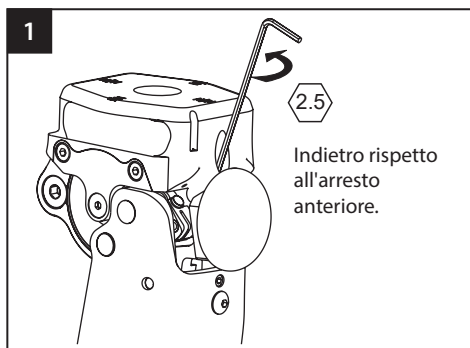
## 8 Indicazioni per l'allineamento e regolazione della stabilità *Le istruzioni della presente sezione sono destinate ai soli tecnici ortopedici.*



## 9 Regolazione del blocco manuale del ginocchio

Le istruzioni della presente sezione sono destinate ai soli tecnici ortopedici.

(Queste regolazioni vengono effettuate in fabbrica, tuttavia, se dovessero essere necessari adattamenti successivi, seguire questi passaggi).



## 9.1 Altre regolazioni

*Le istruzioni della presente sezione sono destinate ai soli tecnici ortopedici.*

<b>Problema</b>	<b>Soluzione</b>
Il ginocchio non si stabilizza	Aumentare la sensibilità
	Spostare l'invasatura in avanti
	Sostituire il meccanismo di stabilizzazione se il bordo posteriore del freno è danneggiato
Il ginocchio non viene rilasciato	Diminuire la sensibilità
	Controllare la regolazione sull'arresto frontale
	Spostare l'invasatura all'indietro
Il blocco del ginocchio non si inserisce	Controllare che l'inserimento del blocco non sia danneggiato/limitato da un'estetizzazione cosmetica (se presente)
Gioco/oscillazione nel blocco del ginocchio	Controllare la regolazione della biella
Il tallone sale troppo in alto durante l'oscillazione	Consultare le istruzioni per l'uso del cilindro di controllo
Il tallone sale troppo poco durante l'oscillazione	Consultare le istruzioni per l'uso del cilindro di controllo
Il paziente lamenta un impatto terminale	Consultare le istruzioni per l'uso del cilindro di controllo
Il dispositivo non si estende completamente durante l'oscillazione	Consultare le istruzioni per l'uso del cilindro di controllo

Se, dopo aver seguito queste istruzioni, persistono problemi di funzionamento, contattare il team di vendita della propria regione.

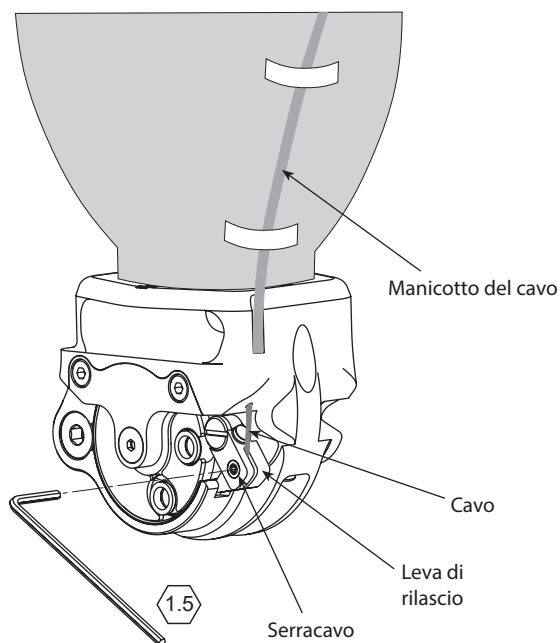
## 10 Montaggio del cavo

Utilizzare il kit di rilascio coscia (239640) – disponibile separatamente

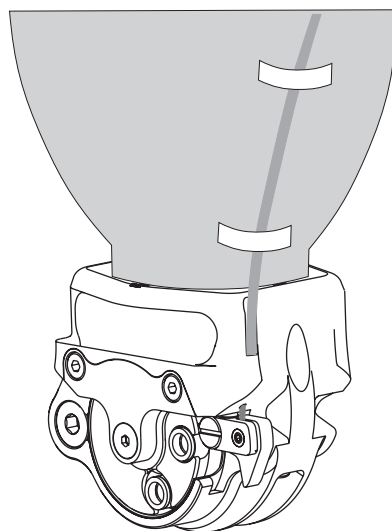
*Le istruzioni della presente sezione sono destinate ai soli tecnici ortopedici.*

1. Posare il cavo sull'invasatura e posizionare il manicotto all'interno del foro svasato davanti al telaio (tenere conto delle modifiche di allineamento).
2. Far passare il cavo interno attraverso il foro nel telaio.
3. Far passare il cavo attraverso il serracavo e fissarlo, bloccandolo sull'area stagnata all'estremità del cavo.
4. Quando si monta il cavo al rilascio coscia, assicurarsi che la leva di rilascio agisca contro la rotula per sbloccare il ginocchio quando necessario.
5. Consultare le istruzioni di montaggio fornite con il kit di rilascio coscia.

**Ginocchio bloccato**



**Ginocchio sbloccato**



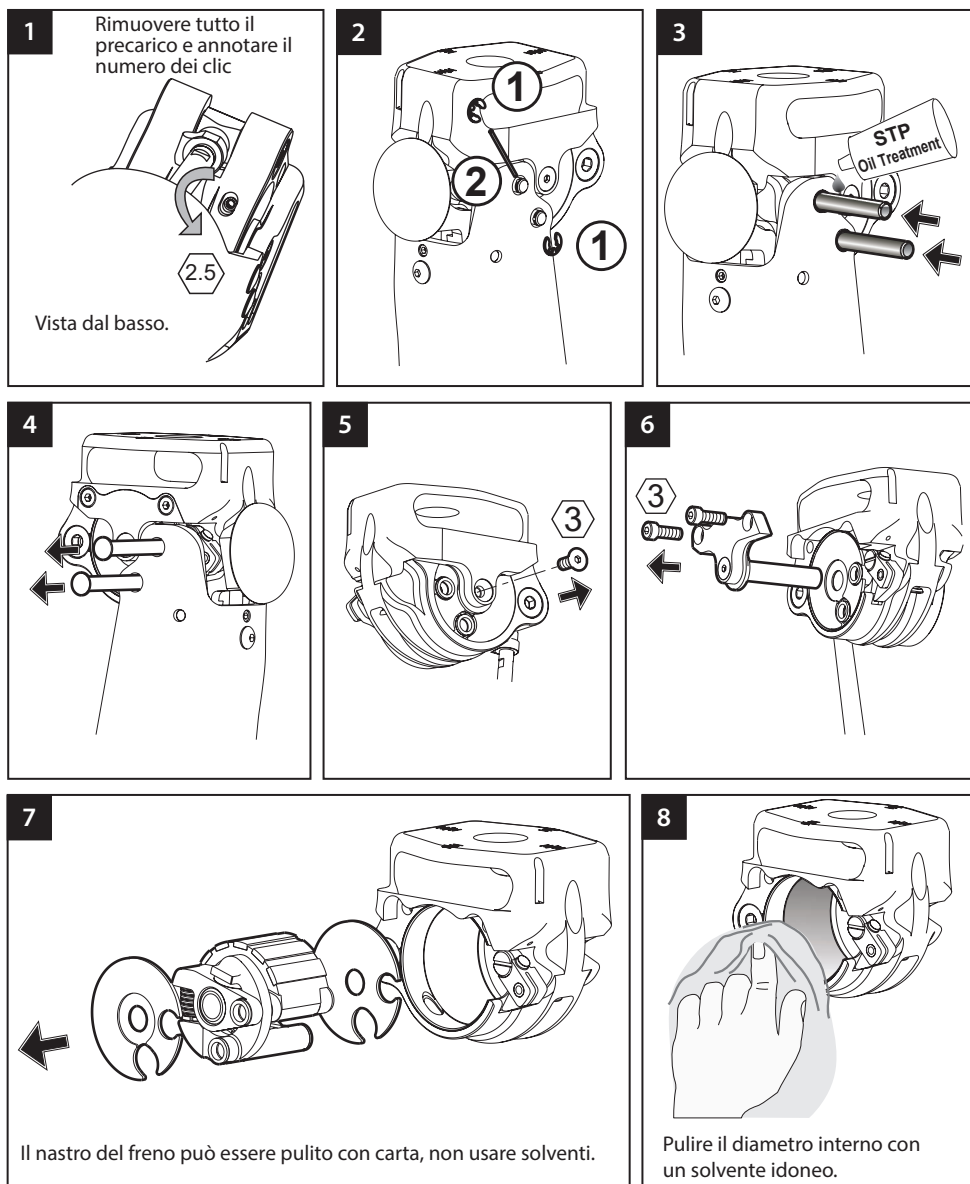
Per regolazioni del dispositivo di controllo dell'oscillazione, consultare le istruzioni per l'uso di PSPC 938057.



# 11 Istruzioni di montaggio

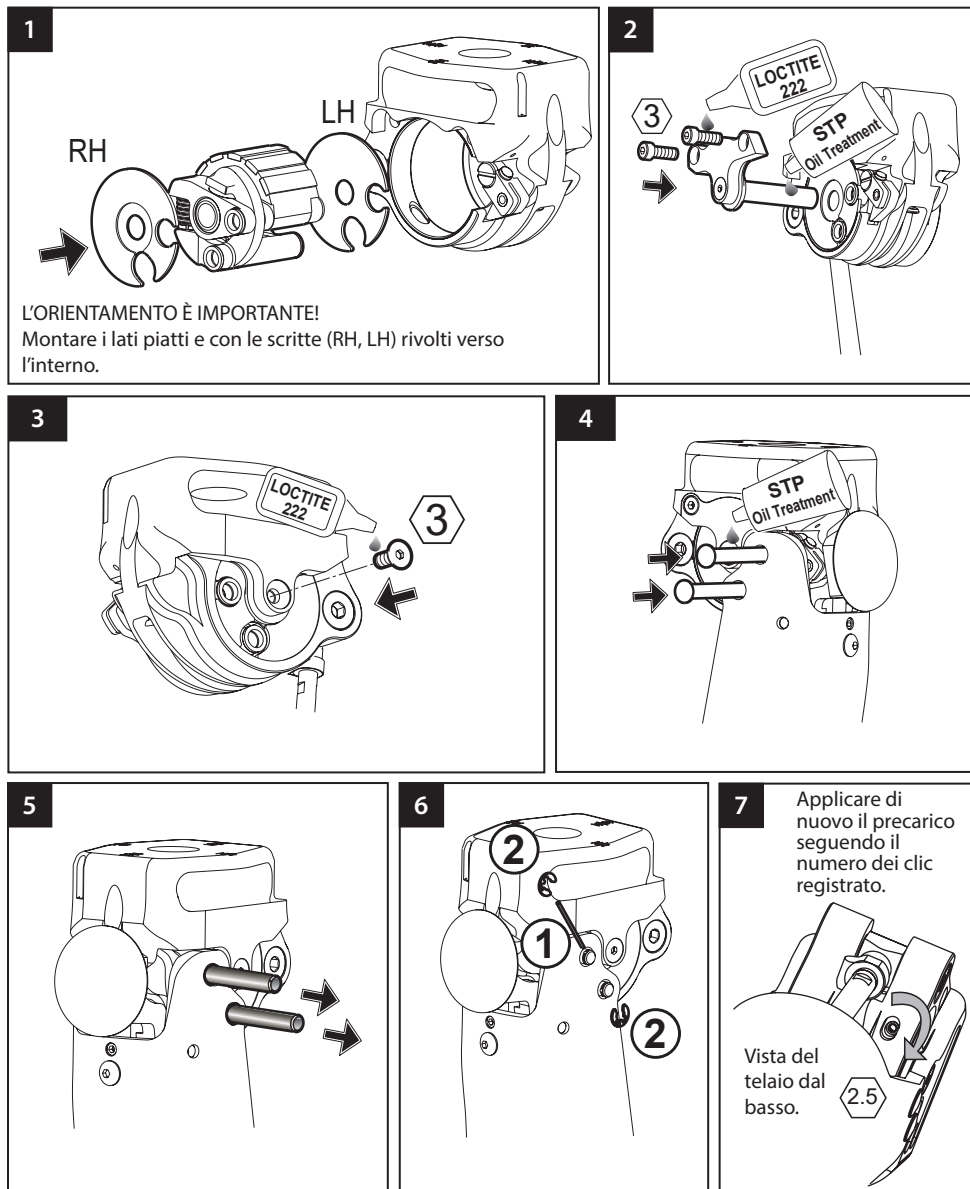
Le istruzioni della presente sezione sono destinate ai soli tecnici ortopedici.

## 11.1 Rimozione del meccanismo ESK+



## 11.2 Sostituzione del meccanismo ESK+

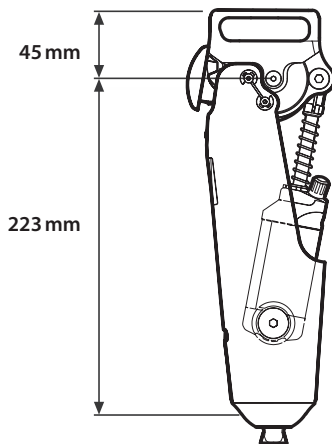
Le istruzioni della presente sezione sono destinate ai soli tecnici ortopedici.



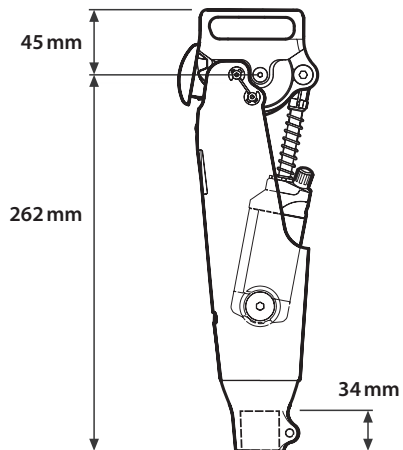
## 12 Dati tecnici

Intervallo di temperatura di esercizio e stoccaggio:	da -15 °C a 50 °C
Peso del componente:	1,2 kg
Livello di attività:	1-3
Peso massimo del paziente:	125 kg
Angolo di flessione massimo:	115°
Attacco di allineamento prossimale:	Monovite (Blatchford)
Attacco di allineamento distale:	Raccordo tubo 30 mm o piramide maschio (Blatchford)
Ingombro verticale:	Consultare le immagini sotto

### Lunghezza di montaggio



**ESK+ Regolazione del blocco manuale del ginocchio con piramide distale**



**ESK+ Regolazione del blocco manuale del ginocchio con raccordo per tubo distale da 30 mm**

## 13 Informazioni sulle ordinazioni

### Esempio di ordine

	ESK+ con regolazione del blocco manuale del ginocchio									
	Raccordo per tubo distale da 30 mm					Piramide distale				
Cilindro pneumatico	ESK	SB	MKL	P	30	ESK	SB	MKL	P	PYR
	ESK+	Mono-vite	Blocco manuale del ginocchio	PSPC	Raccordo per tubo distale da 30 mm	ESK+	Mono-vite	Blocco manuale del ginocchio	PSPC	Piramide distale

### Ricambi

Pezzo	Codice articolo
ESK+ Gruppo ginocchio con regolazione del blocco manuale	239440
Kit rilascio coscia	239640
Perno di allineamento del meccanismo ESK	234914
ESK+ Kit del meccanismo di stabilizzazione	239949

## Responsabilità

Il produttore raccomanda l'utilizzo del dispositivo esclusivamente nelle condizioni specificate e per gli impieghi previsti. Il dispositivo deve essere sottoposto a manutenzione conformemente alle istruzioni per l'uso fornite con il dispositivo. Il produttore non è responsabile dei danni causati dalle combinazioni dei componenti non autorizzati dal produttore.

## Conformità CE

Questo prodotto soddisfa i requisiti del Regolamento europeo UE 2017/745 relativo ai dispositivi medici. Il presente prodotto è stato classificato come dispositivo di classe I in base ai criteri di classificazione delineati nell'Allegato VIII del regolamento. Il certificato di dichiarazione di conformità UE è disponibile al seguente indirizzo di posta elettronica: [www.blatchford.co.uk](http://www.blatchford.co.uk).



Dispositivo medico



Monopaziente – Utilizzo multiplo

## Compatibilità

La combinazione con i prodotti a marchio Blatchford è approvata in base a test condotti in conformità alle norme pertinenti e all'MDR, compresi test strutturali, compatibilità dimensionale e prestazioni sul campo monitorate.

La combinazione con prodotti alternativi a marchio CE deve essere eseguita in considerazione di una valutazione del rischio locale documentata svolta da un tecnico ortopedico.

## Garanzia

Il dispositivo è garantito per 24 mesi, il nastro del freno 12 mesi.

Il paziente deve essere informato che eventuali variazioni o modifiche non espressamente approvate possono comportare l'annullamento della garanzia e il decadimento delle licenze operative e delle esenzioni.

Consultare sul sito web Blatchford la dichiarazione di garanzia completa vigente.

## Segnalazione di incidenti gravi

Nell'improbabile caso di incidente grave che si verifica in relazione a questo dispositivo, si raccomanda di inviare una segnalazione al produttore e all'autorità nazionale competente.

## Indicazioni ambientali

Questo prodotto contiene olio idraulico, metalli e plastiche misti. Ove possibile, i componenti devono essere riciclati in conformità con le normative in materia di gestione dei rifiuti vigenti a livello locale.

## Conservare l'etichetta dell'imballaggio

Si consiglia al tecnico ortopedico di conservare l'etichetta dell'imballaggio come documentazione del dispositivo fornito.

## Sede legale del produttore

Blatchford Products Limited, Lister Road, Basingstoke RG22 4AH, Regno Unito.

## Riconoscimento dei marchi commerciali

Blatchford è un marchio registrato di Blatchford Products Limited.

Contenido .....	70
1 Descripción y uso previsto.....	71
2 Información de seguridad.....	73
3 Estructura .....	74
4 Función .....	75
5 Mantenimiento .....	75
6 Limitaciones de uso.....	76
7 Alineación estática.....	77
8 Consejos de alineación y ajuste de la estabilidad .....	78
9 Ajuste del mecanismo de bloqueo manual de la rodilla (MKL).....	79
9.1 Ajustes adicionales .....	80
10 Instalación del cable.....	81
11 Instrucciones de montaje.....	82
11.1 Extracción del mecanismo ESK+ .....	82
11.2 Volver a instalar el mecanismo ESK+ .....	83
12 Datos técnicos .....	84
13 Información para pedidos.....	85

# 1 Descripción y uso previsto

Estas instrucciones de uso están destinadas para ser utilizadas por el profesional sanitario y el usuario, a menos que se indique lo contrario.

El término *dispositivo* se utiliza en estas instrucciones de uso para referirse a los productos ESK+ con bloqueo manual de la rodilla.

Siga leyendo para asegurarse de que entiende todas las instrucciones de uso; en concreto, toda la información de seguridad y las instrucciones de mantenimiento.

## Aplicación

Este dispositivo debe utilizarse únicamente como parte de una prótesis de extremidad inferior.

Este dispositivo es para un solo usuario.

El dispositivo es un módulo de rodilla que proporciona una estructura uniaxial para una rodilla estabilizada activada por el peso, que presta soporte a la prótesis con distintas cadencias en diversos terrenos, y está destinado a mejorar la seguridad y reducir la compensación. Está disponible con una unidad PSPC (control neumático de la fase de balanceo) de configuración fija.

El dispositivo cuenta con una función de bloqueo manual que puede activar el usuario en situaciones en las que necesite mayor seguridad.

## Funciones

	PSPC con ajuste manual	Bloqueo manual de rodilla activado
Flexión de apoyo limitada al soportar peso	✓	
Estructura resistente de fibra de carbono	✓	✓
Flexión de la rodilla de 115 grados	✓	
Sensibilidad regulable de la estabilidad de la rodilla	✓	
Controles del balanceo independientes de ajuste manual para la flexión y la extensión	✓	
Rodilla bloqueada para soportar peso durante períodos prolongados y para mayor seguridad		✓

## Nivel de actividad

Este dispositivo resulta idóneo para usuarios con nivel de actividad 2, que pueden beneficiarse del bloqueo manual de la rodilla en situaciones en las que necesiten una mayor seguridad (existen límites de peso; consultar *Datos técnicos*).

El bloqueo manual de la rodilla también podría resultar beneficioso en situaciones similares para los usuarios de los niveles 1 y 3. No obstante, esta decisión deberá tomarse de manera razonada y rigurosa.

### Nivel de actividad 1

Tiene la capacidad o el potencial de utilizar una prótesis para la transferencia o la ambulación sobre superficies regulares con cadencia de marcha fija. Esto es típico de los usuarios ambulatorios con capacidad limitada o ilimitada de caminar dentro de su casa.

### Nivel de actividad 2

Tiene la capacidad o el potencial de ambulación y puede salvar barreras del entorno de bajo nivel, como bordillos, escaleras o superficies irregulares. Esto es típico de los usuarios ambulatorios con capacidad limitada para caminar en su entorno exterior.

### Nivel de actividad 3

Tiene la capacidad o el potencial de ambulación con cadencia de marcha variable. Típico del usuario ambulatorio con capacidad para caminar por su entorno exterior y salvar la mayoría de barreras del entorno, con un interés por realizar actividades vocacionales, terapéuticas o de ejercicio que exijan utilizar la prótesis para más que la simple locomoción.

Este dispositivo no es apto para su uso en competiciones deportivas. Las necesidades de este tipo de usuarios quedarán mejor cubiertas por una prótesis de diseño especial optimizada para ellas.

## Beneficios clínicos

- El control del apoyo activado por el peso y el control del balanceo regulable hacen posible una marcha fluida y segura con la rodilla libre.
- El bloqueo de activación manual permite al usuario bloquear la rodilla para mayor seguridad cuando sea necesario.

## Contraindicaciones

El dispositivo no es apto para:

- Usuarios con debilidad muscular extrema, contracturas que no sea posible acomodar correctamente o disfunción propioceptiva (incluidos problemas de equilibrio).
- Usuarios con inestabilidad o patología de la articulación contralateral.
- Usuarios con cuadros clínicos complejos con múltiples discapacidades.
- Usuarios, incluidos los amputados transfemorales bilaterales, que necesiten una rodilla con función de límite elástico para bajar las escaleras o sentarse. Esto puede dañar el mecanismo de freno, lo que puede afectar negativamente a la estabilidad y la durabilidad.
- A los usuarios con poca función motora en las manos les puede resultar difícil el manejo del bloqueo manual de la rodilla.



**Antes de utilizar este dispositivo, debe enseñarse a los usuarios cómo caminar con él.**



**Cerciorarse de que el usuario haya entendido todas las instrucciones de uso, con particular atención a las secciones con información relativa al mantenimiento y la seguridad.**



## 2 Información de seguridad



Este símbolo de advertencia resalta la información de seguridad importante.



Tener presente en todo momento el riesgo de atraparse los dedos.



Notificar inmediatamente a su proveedor de servicios cualquier cambio en el rendimiento o el funcionamiento de la extremidad (por ejemplo, inestabilidad, doble acción, movimiento restringido, movimiento poco fluido o ruidos inusuales).



Agarrarse siempre a la barandilla al bajar las escaleras y en cualquier otro momento si la hubiera.



Un cambio excesivo en la altura del talón una vez finalizada la alineación puede tener efectos adversos sobre la funcionalidad de la extremidad.



Conducir únicamente vehículos debidamente adaptados. Todas las personas deben obedecer el código de circulación correspondiente cuando utilicen vehículos motorizados.



Se debe llevar precaución a la hora de levantar o transportar cargas pesadas, puesto que pueden afectar negativamente a la estabilidad del dispositivo.



Se debe recomendar al usuario que se ponga en contacto con su profesional sanitario si cambia su cuadro clínico.



Evitar la exposición a extremos de calor y de frío.



El montaje, mantenimiento y reparación del dispositivo solo debe llevarlos a cabo un profesional sanitario con la debida titulación.

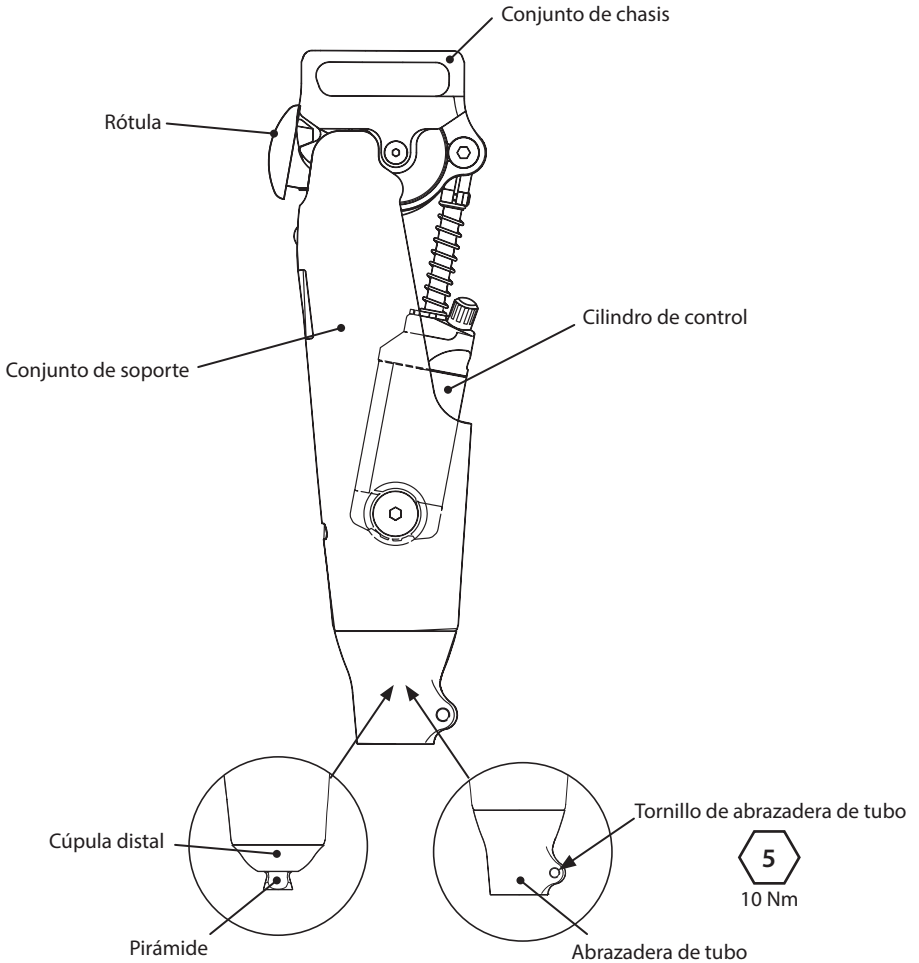


El dispositivo no es apto para usarse sumergido en agua ni como prótesis para la ducha. Si la extremidad entra en contacto con el agua, secar inmediatamente con un paño.

### 3 Estructura

#### Componentes principales

- Conjunto de soporte Fibra de carbono compuesta y acero inoxidable
- Conjunto del chasis Aleación de aluminio, acero inoxidable, termoplástico tecnológico, material de fricción (sin amianto) reforzado con fibra
- Cilindro de control Aleación de aluminio, acero inoxidable, titanio, termoplástico tecnológico
- Cúpula distal Aleación de aluminio
- Pirámide distal Titanio con perno de acero inox.
- Abrazadera para tubo distal Aleación de aluminio
- Rótula Termoplástico tecnológico



---

## 4 Función

El dispositivo es de diseño uniaxial, y consta de un pivote de rodilla que une un chasis a una base de soporte. El chasis alberga un mecanismo estabilizador de la rodilla activado por el peso.

La acción de resiliencia del mecanismo estabilizador proporciona una flexión de apoyo limitada bajo carga, lo que reduce el impacto durante el golpe de talón.

El dispositivo incorpora un mecanismo de bloqueo manual de la rodilla que, una vez activado por el usuario, se acciona al extender la rodilla completamente y evita que la rodilla se flexione más, independientemente del peso corporal al que se someta.

Al desactivarlo, la rodilla vuelve al modo de estabilización activada por el peso.

El conjunto de soporte alberga un cilindro de control neumático, que encaja entre el pivote trasero del chasis y el pivote distal de la base de soporte.

El cilindro tiene válvulas de ajuste manual que permiten controlar la resistencia de flexión y extensión de forma independiente durante la fase de balanceo.

---

## 5 Mantenimiento

Realizar una inspección visual periódica del dispositivo.

Notificar al profesional sanitario/proveedor del servicio cualquier cambio en el rendimiento de este dispositivo (p. ej., ruidos inusuales, aumento de la rigidez, restricción o exceso de rotación, desgaste considerable o decoloración excesiva por exposición a largo plazo a la luz UV).

También se debe informar al profesional sanitario/proveedor del servicio de cualquier cambio en el peso corporal o nivel de actividad.

### Limpieza

Limpiar las superficies externas con un paño húmedo y jabón suave. NO utilizar limpiadores agresivos.

***El resto de las instrucciones de esta sección están destinadas exclusivamente al profesional sanitario.***

El mantenimiento debe llevarlo a cabo siempre el personal competente (profesional sanitario o técnico con la debida formación).

Para mantener un rendimiento óptimo, se recomienda realizar una inspección periódica para comprobar si existen problemas de ruido, juego excesivo o inestabilidad. La frecuencia de inspección viene determinada por factores como la actividad del usuario, la frecuencia de uso y la configuración de estabilidad de la rodilla.

Como guía, si la configuración es de 6 chasquidos o más y el usuario da un promedio de 600 000 pasos al año, se recomienda realizar una inspección anual.

Recomendamos ajustar la rodilla según los requisitos de estabilidad individuales del usuario para garantizar una estabilidad y durabilidad máximas. Véase la guía de ajuste/diagrama de flujo.

Se recomienda el uso de un monitor de actividad de la extremidad para determinar el número de pasos dados.

En estas inspecciones:

- Hacer una comprobación visual para detectar posibles defectos que puedan afectar al correcto funcionamiento.
- Comprobar que el cable de desbloqueo del muslo esté en buen estado y funcione correctamente.
- Desmontar, limpiar y volver a montar el mecanismo de la rodilla.

Recomendar al usuario que efectúe periódicamente una inspección visual del dispositivo e informe al profesional sanitario de cualquier cambio en su rendimiento. Estos cambios pueden ser, entre otros, aumento o disminución de la rigidez de la rodilla, inestabilidad, reducción de soporte de la rodilla (movimiento libre), ruido inusual.

### **Almacenaje y manipulación**

Si se va a guardar durante períodos largos, el dispositivo deberá permanecer seco y a una temperatura comprendida entre -15 °C y 50 °C.

Utilizar el embalaje del producto provisto.

---

## **6** Limitaciones de uso

### **Vida útil prevista:**

Se debe llevar a cabo una evaluación de riesgos local según el tipo de actividad y el uso.

### **Levantamiento de cargas**

El peso y la actividad del usuario están gobernados por los límites indicados.

El transporte de cargas por el usuario debe basarse en una evaluación de riesgos local.

### **Entorno**

Evitar exponer el dispositivo a elementos corrosivos como agua, ácidos y otros líquidos. Evitar también entornos abrasivos, por ejemplo con arena, ya que pueden provocar un desgaste prematuro.

Utilizar exclusivamente con temperaturas comprendidas entre -15 °C y 50 °C.



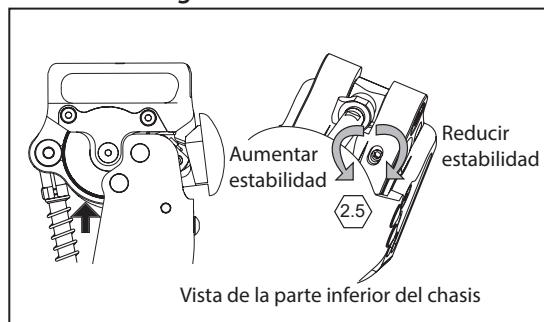
Adecuado para uso en exteriores

## 7 Alineación estática

Las instrucciones de esta sección están dirigidas exclusivamente al profesional sanitario.

### Pruebas de marcha

#### Regulador del resorte



Extender la extremidad por completo para obtener acceso al regulador.

Hacer girar el REGULADOR DEL RESORTE para alcanzar el nivel de estabilidad necesario para el amputado concreto.

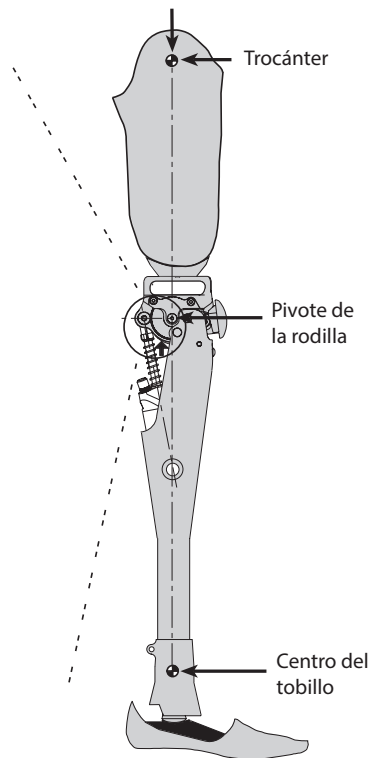
Nota... Se oirán chasquidos al realizar el ajuste, y el regulador se autobloqueará.

Apretar el RESORTE para reducir la estabilidad.

Aflojar el RESORTE para aumentar la estabilidad; ver arriba.

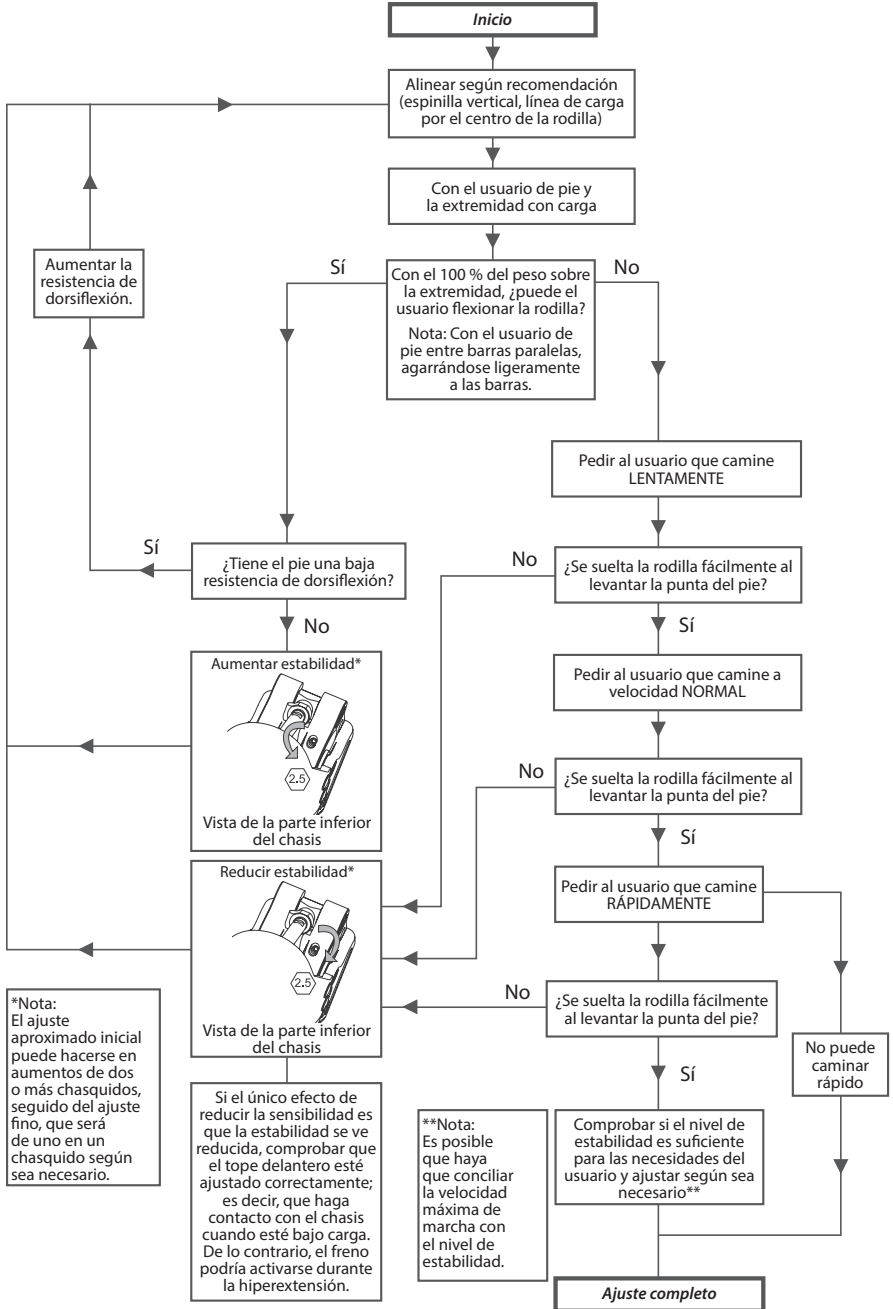
Si es necesario, se puede restaurar el ajuste de fábrica del regulador. Para ello, reducir la estabilidad en seis chasquidos partiendo del ajuste máximo de estabilidad.

Línea de construcción



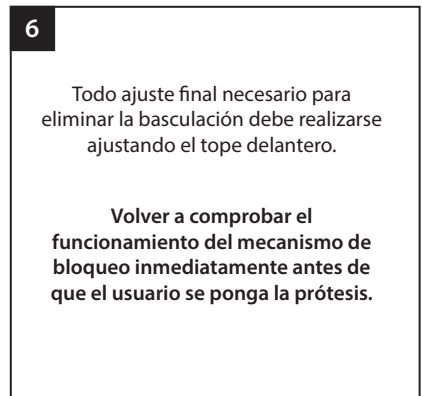
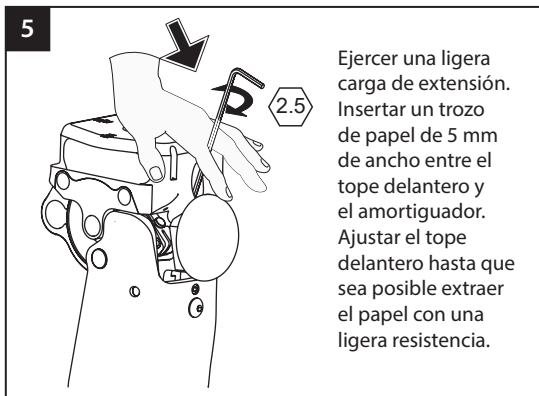
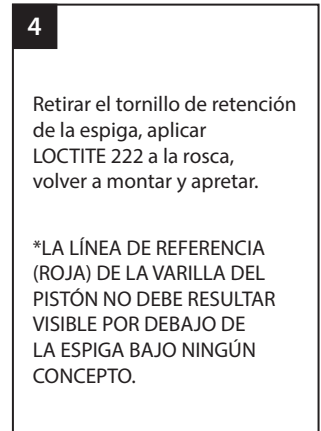
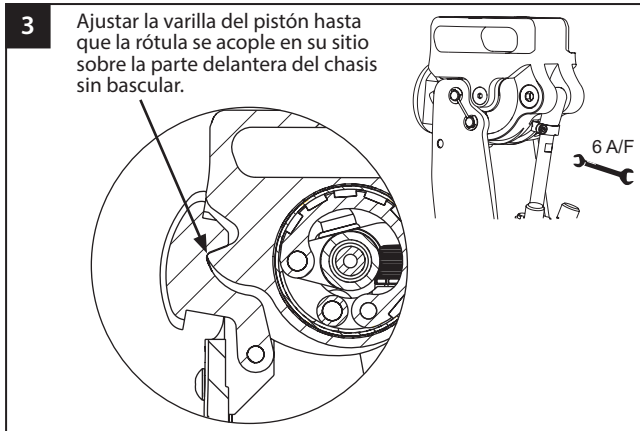
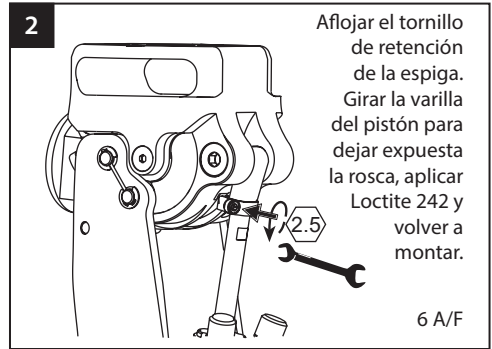
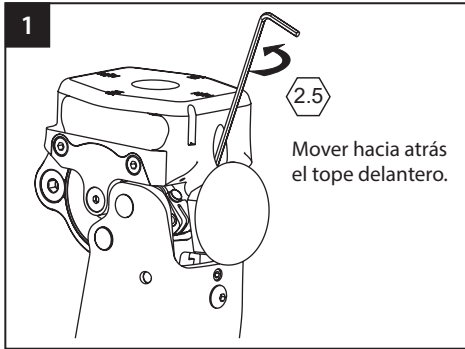
# 8 Consejos de alineación y ajuste de la estabilidad

Las instrucciones de esta sección están dirigidas exclusivamente al profesional sanitario.



## 9 Ajuste del mecanismo de bloqueo manual de la rodilla (MKL) *Las instrucciones de esta sección están dirigidas exclusivamente al profesional sanitario.*

(Estos ajustes se llevan a cabo en la fábrica; sin embargo, si resulta necesario ajustarlo posteriormente, se deberán seguir estas instrucciones).



## 9.1 Ajustes adicionales

*Las instrucciones de esta sección están dirigidas exclusivamente al profesional sanitario.*

Síntoma	Solución
La rodilla no se estabiliza	Aumentar la sensibilidad
	Desplazar el encaje en sentido anterior
	Sustituir el mecanismo estabilizador si el borde posterior del freno está dañado
La rodilla no se desacopla	Reducir la sensibilidad
	Comprobar el ajuste del tope delantero
	Desplazar el encaje en sentido posterior
No se activa el mecanismo de bloqueo de la rodilla	Comprobar que la activación del mecanismo de bloqueo no se vea restringida por el carenado (si existe)
Mover/bascular la rodilla con el bloqueo puesto	Comprobar el ajuste de la varilla del pistón
El talón se eleva demasiado durante el balanceo	Consultar las instrucciones de uso del cilindro de control
El talón está demasiado bajo durante el balanceo	Consultar las instrucciones de uso del cilindro de control
El usuario experimenta impacto terminal	Consultar las instrucciones de uso del cilindro de control
El dispositivo no se extiende del todo durante el balanceo	Consultar las instrucciones de uso del cilindro de control

Si, tras seguir estas instrucciones, aún experimenta problemas de funcionamiento, póngase en contacto con el equipo comercial de su zona geográfica para que le asesoren.



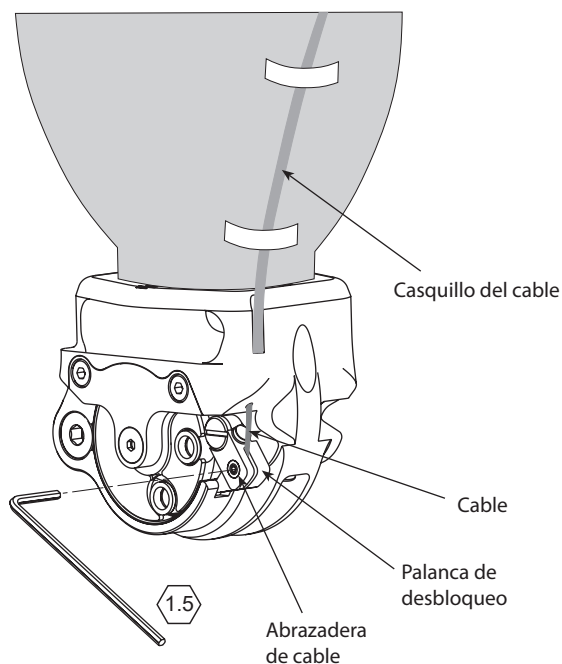
## 10 Instalación del cable

Uso del kit de desbloqueo del muslo (239640) - disponible por separado.

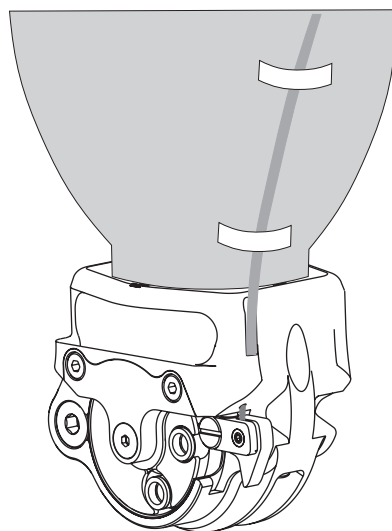
**Las instrucciones de esta sección están dirigidas exclusivamente al profesional sanitario.**

1. Colocar el cable sobre el encaje y localizar el casquillo situado en el avellanado de la parte delantera del chasis (tener en cuenta los cambios de alineación).
2. Pasar el cable interno por el agujero del chasis.
3. Pasar el cable por la abrazadera del cable y asegurarlo, sujetándolo a la zona chapada de latón del extremo del cable.
4. Al instalar el cable en el mecanismo de desbloqueo del muslo, asegurarse de que la palanca de desbloqueo funcione sobre la rótula para desbloquear la rodilla según sea necesario.
5. Consultar las instrucciones de instalación suministradas con el kit de desbloqueo del muslo.

**Rodilla bloqueada**



**Rodilla desbloqueada**



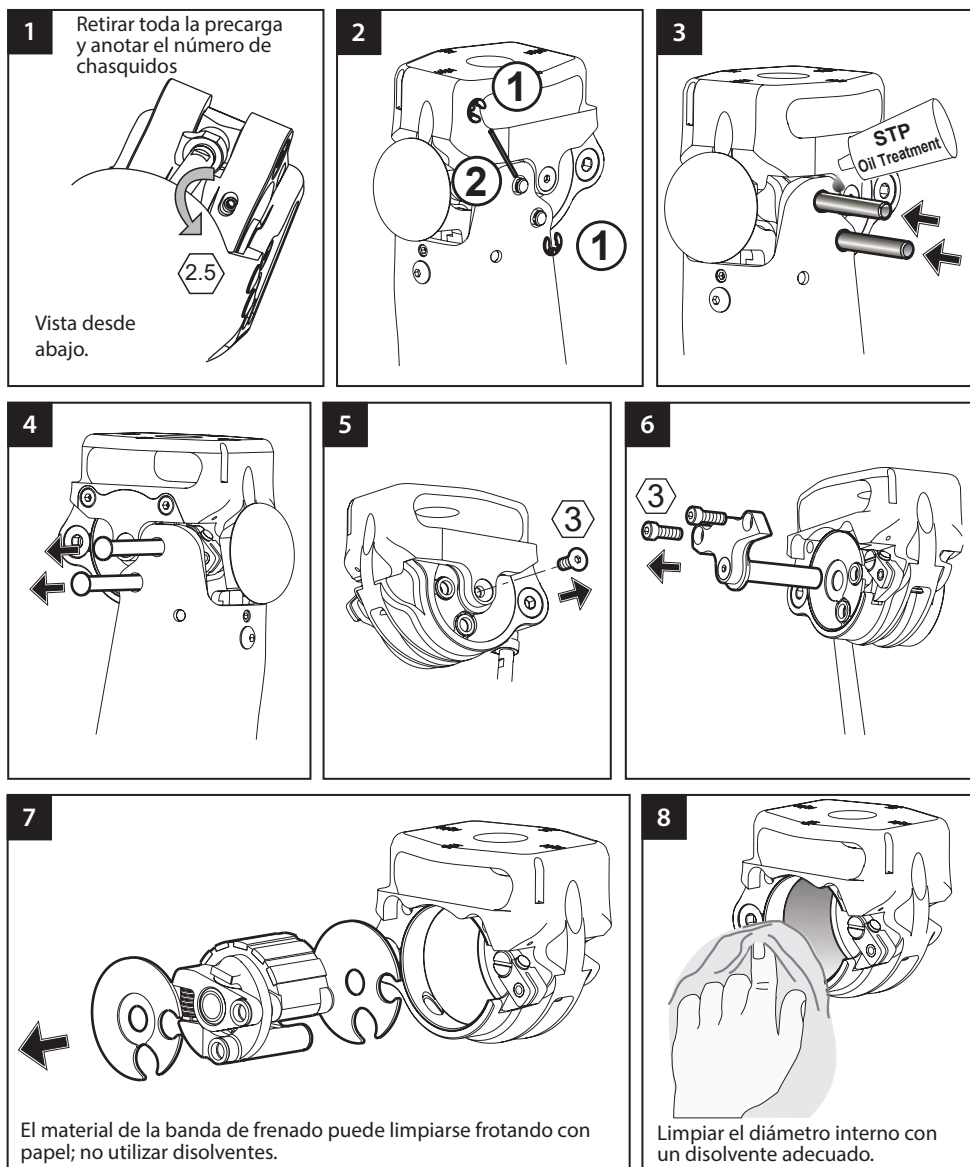
La rótula y la espinilla no aparecen en la imagen para mayor claridad.

Consultar las instrucciones de uso del PSPC (938057) para conocer el procedimiento de ajuste de los dispositivos de control del balanceo.

# 11 Instrucciones de montaje

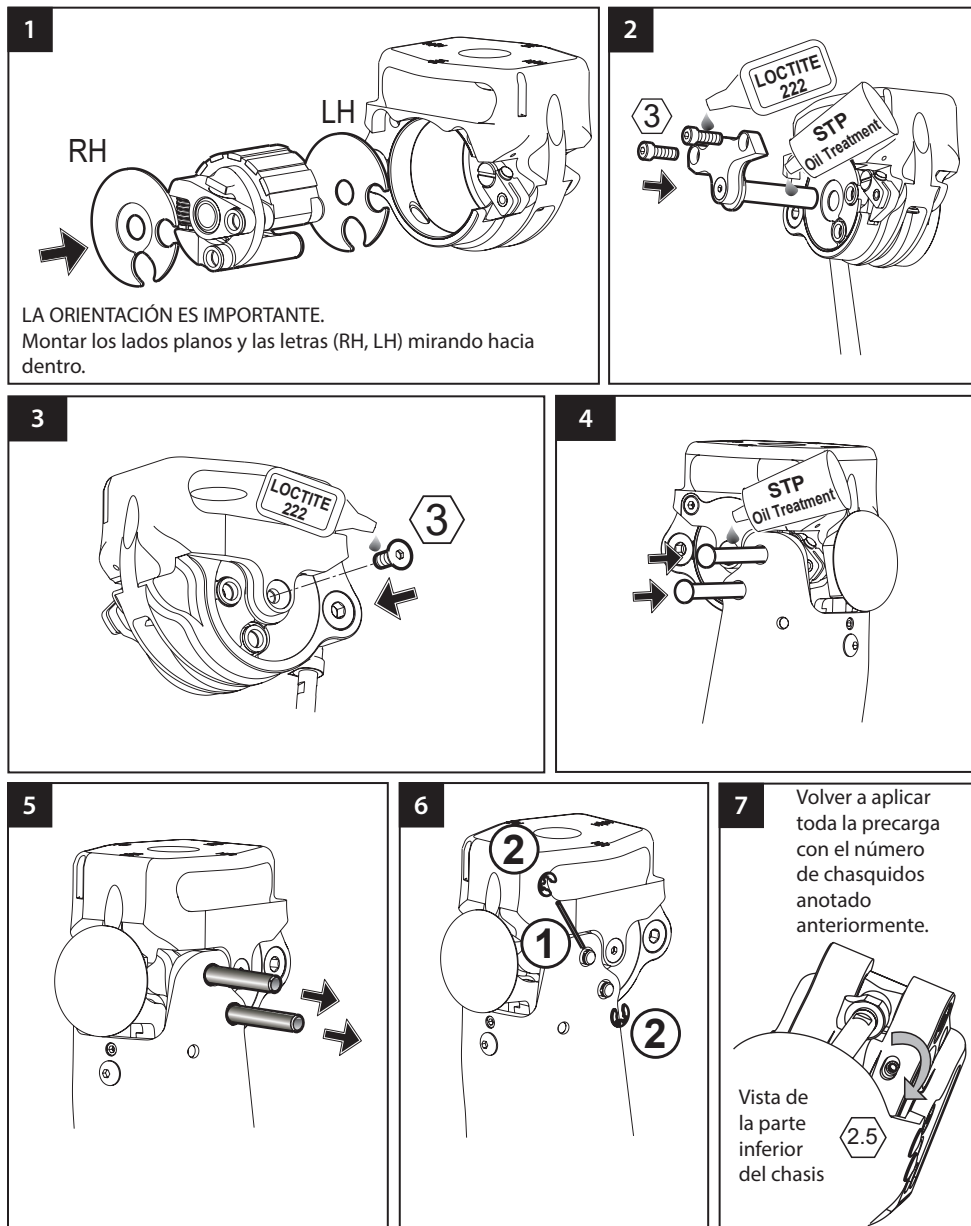
Las instrucciones de esta sección están dirigidas exclusivamente al profesional sanitario.

## 11.1 Extracción del mecanismo ESK+



## 11.2 Volver a instalar el mecanismo ESK+

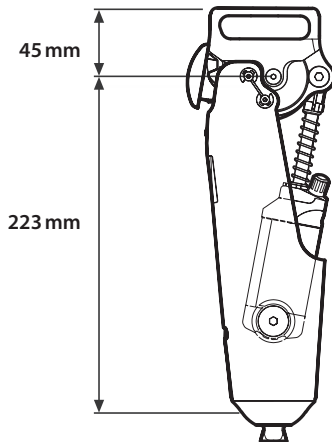
Las instrucciones de esta sección están dirigidas exclusivamente al profesional sanitario.



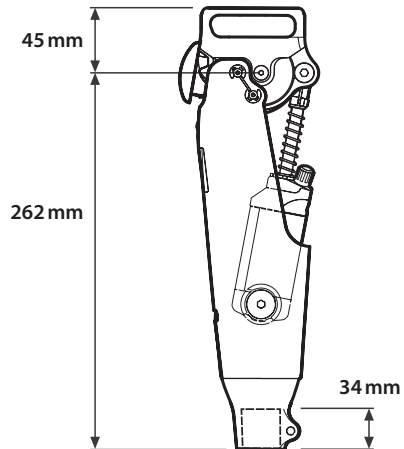
## 12 Datos técnicos

Rango de temperaturas de funcionamiento y almacenaje:	De -15 °C a 50 °C
Peso del componente:	1,2 kg
Nivel de actividad:	1-3
Peso máximo del usuario:	125 kg
Máximo ángulo de flexión:	115°
Sujeción de alineación proximal:	Un solo perno (Blatchford)
Sujeción de alineación distal:	Abrazadera para tubo de 30 mm o pirámide macho (Blatchford)
Altura de la prótesis:	Ver los diagramas siguientes.

### Longitud de montaje



ESK+ MKL con pirámide distal



ESK+ MKL con abrazadera para tubo distal de 30 mm

# 13 Información para pedidos

## Ejemplo de pedido

		ESK+ con bloqueo manual de rodilla									
		Abrazadera para tubo distal de 30 mm					Pirámide distal				
Cilindro neumático		ESK	SB	MKL	P	30	ESK	SB	MKL	P	PYR
		ESK+	Un solo tornillo	Bloqueo manual de rodilla	PSPC	Abrazadera para tubo distal de 30 mm	ESK+	Un solo tornillo	Bloqueo manual de rodilla	PSPC	Pirámide distal

## Piezas de repuesto

Artículo	Ref.
Conjunto de rodilla ESK+ MKL	239440
Kit de desbloqueo del muslo	239640
Clavija de alineación para mecanismo ESK	234914
Kit de mecanismo estabilizador ESK+	239949

## Responsabilidad

El fabricante recomienda utilizar el dispositivo únicamente en las condiciones especificadas y para el fin previsto. El mantenimiento del dispositivo debe llevarse a cabo de acuerdo con las instrucciones de uso suministradas con él. El fabricante no se hace responsable de ningún resultado adverso que pueda surgir de una combinación de componentes que no haya autorizado previamente.

## Conformidad CE

Este producto cumple los requisitos del Reglamento (UE) 2017/745 sobre los productos sanitarios. Este producto está clasificado como dispositivo de Clase I según las normas de clasificación estipuladas en el Anexo VIII del reglamento. El certificado y la declaración de conformidad de la UE pueden consultarse en la siguiente dirección de Internet: [www.blatchford.co.uk](http://www.blatchford.co.uk).



Dispositivo médico



Para uso en un solo paciente -  
uso múltiple

## Compatibilidad

Está autorizada la combinación con productos de la marca Blatchford basándose en pruebas según las normas correspondientes y el MDR, incluidas pruebas estructurales, de compatibilidad dimensional y de rendimiento supervisado sobre el terreno.

La combinación con productos alternativos con marcado CE debe llevarse a cabo de acuerdo con una evaluación de riesgos local documentada por un profesional sanitario.

## Garantía

Este dispositivo tiene 24 meses de garantía (12 meses para la banda de frenado).

El usuario debe tener en cuenta que todo cambio o modificación que no haya sido expresamente aprobado podría invalidar la garantía, autorizaciones de explotación y excepciones.

Consultar la declaración de garantía completa vigente en la página web de Blatchford.

## Notificación de incidentes graves

En el caso poco probable de que se produzca un incidente grave relacionado con este dispositivo, se deberá notificar al fabricante y a la autoridad competente nacional.

## Aspectos medioambientales

Este producto contiene aceite hidráulico, metales mixtos y plásticos. Siempre que sea posible, los componentes se deben reciclar de acuerdo con el reglamento local de gestión de residuos.

## Conservar la etiqueta del embalaje

Aconsejamos al profesional sanitario conservar la etiqueta del embalaje como recordatorio del dispositivo suministrado.

## Dirección registrada del fabricante

Blatchford Products Limited, Lister Road, Basingstoke, RG22 4AH (REINO UNIDO).

## Marcas comerciales

Blatchford es una marca registrada de Blatchford Products Limited.



Inhoud.....	87
1 Beschrijving en beoogd gebruik.....	88
2 Veiligheidsinformatie.....	90
3 Constructie.....	91
4 Functie.....	92
5 Onderhoud.....	92
6 Beperkingen bij het gebruik.....	93
7 Statische uitlijning.....	94
8 Advies over uitlijnen en afstellen stabiliteit.....	95
9 Instellen MKL.....	96
9.1 Verdere instellingen.....	97
10 Monteren van kabel.....	98
11 Montage-instructies.....	99
11.1 Verwijderen van ESK+-mechanisme.....	99
11.2 Vervangen van ESK+-mechanisme.....	100
12 Technische gegevens.....	101
13 Bestelinformatie.....	102

# 1 Beschrijving en beoogd gebruik

Deze gebruiksaanwijzing is bedoeld voor gebruik door de behandelaar en de gebruiker, tenzij anders aangegeven.

De term hulpmiddel wordt in deze instructies gebruikt om te verwijzen naar de ESK+-producten voor handmatige vergrendeling en ontgrendeling van de knie.

Lees deze gebruiksaanwijzing door en waarborg dat u alles begrijpt; in het bijzonder de veiligheidsinformatie en de instructies voor onderhoud.

## Toepassing

Dit hulpmiddel mag uitsluitend worden gebruikt als onderdeel van een prothese van een onderste ledemaat.

Dit hulpmiddel is bedoeld voor gebruik bij één persoon.

Dit hulpmiddel is een knie-eenheid die een uniaxiaal frame levert voor een gewicht-geactiveerde gestabiliseerde knie voor ondersteuning van de prothese bij verschillende loopritmen op verschillende terreinen, en dient voor het verbeteren van de veiligheid en het verminderen van compensatie. Het is beschikbaar met PSPC-eenheid ('Pneumatic Swing Phase Control', pneumatische zwaaieregeling) met vaste instelling.

Het hulpmiddel is uitgerust met een handmatig bediende knievergrendeling die kan worden geactiveerd in situaties waarvoor extra beveiliging nodig is.

## Kenmerken

	Handmatig instelbare PSPC	Handmatige knievergrendeling geactiveerd
Bepaalde standflexie bij dragen van gewicht	✓	
Stevig frame van koolstofvezel	✓	✓
115 graden knieflexie	✓	
Instelbare gevoeligheid van de kniestabiliteit	✓	
Onafhankelijke, handmatig instelbare zwaaieregeling voor buigen en strekken	✓	
Vergrendelde knie voor langdurig dragen van gewicht en extra beveiliging		✓



## Activiteitenniveau

Dit hulpmiddel is ideaal voor gebruikers van activiteitenniveau 2, die baat bij de MKL kunnen hebben in situaties waarin meer veiligheid nodig is (er zijn acht limieten van toepassing, zie *Technische gegevens*).

Bovendien kunnen sommige gebruikers van activiteitenniveau 1 en 3 in vergelijkbare situaties ook baat hebben van de MKL. Dergelijke beslissingen dienen echter op basis van duidelijke en grondige overwegingen te worden genomen.

### Activiteitenniveau 1

Heeft het vermogen of de potentie om een prothese te gebruiken voor verplaatsingen of lopen over een vlakke ondergrond met een vaste cadans. Typisch voor mensen die in huis korte en langere afstanden kunnen overbruggen.

### Activiteitenniveau 2

Heeft het vermogen of de potentie om te lopen over een ondergrond met lage obstakels, zoals stoepranden, trappen of ongelijke oppervlakken. Typisch voor mensen die in de omgeving korte afstanden kunnen overbruggen.

### Activiteitenniveau 3

Heeft het vermogen of de potentie om te lopen met variabele cadans. Typisch voor mensen die in de omgeving langere afstanden kunnen overbruggen inclusief de meeste obstakels die in de omgeving aanwezig zijn en die te maken hebben met beroepsmatige, therapeutische of inspanningsactiviteiten waarbij er meer eisen aan het gebruik van de prothese worden gesteld dan bij gewoon lopen.

Dit hulpmiddel is niet geschikt voor gebruik in sportevenementen in wedstrijdverband. Deze typen gebruikers zijn mogelijk beter gediend met een speciaal voor hun behoeften geoptimaliseerde prothese.

## Klinische voordelen

- De gewicht-geactiveerde standregeling en instelbare zwaaieregeling bieden een soepele loopgang met een vrije knie.
- Met de handmatig bediende vergrendeling kan de patiënt de knie vergrendelen voor extra veiligheid indien nodig.

## Contra-indicaties

Dit hulpmiddel is niet geschikt voor:

- Gebruikers met extreme spierzwakte, contracturen die niet op een juiste manier kan worden geacommodeerd, of proprioceptieve disfunctie, waaronder evenwichtsproblemen.
- Gebruikers met contralaterale instabiliteit of pathologie van gewrichten.
- Gebruikers met gecompliceerde aandoeningen met meerdere handicaps.
- Gebruikers, waaronder gebruikers met bilaterale transfemorale amputatie, die behoefte hebben aan een verende werking van de knie om een trap af te dalen of te gaan zitten. Dit kan zorgen voor schade aan het remmechanisme, wat de stabiliteit en duurzaamheid negatief kan beïnvloeden.
- Voor gebruikers met een beperkte handfunctie kan het moeilijk zijn de handmatige knievergrendeling te bedienen.



**Gebruikers moeten voor het gebruik van dit hulpmiddel looptraining hebben gehad.**



**Zorg ervoor dat de gebruiker alle gebruiksaanwijzingen begrijpt en vooral aandacht besteedt aan alle paragrafen met informatie over onderhoud en veiligheid.**

## 2 Veiligheidsinformatie



Dit waarschuwingsymbool geeft belangrijke veiligheidsinformatie aan.



Houd te allen tijde rekening met het feit dat vingers bekneld kunnen komen te zitten.



Elke verandering in de prestaties of werking van de ledemaat, zoals instabiliteit, dubbele werking, beperking in beweging, niet soepel bewegen of ongebruikelijke geluiden, moet onmiddellijk worden gemeld aan de serviceprovider.



Gebruik bij het aflopen van een trap altijd de leuning en indien mogelijk ook bij andere activiteiten.



Buitensporige veranderingen in de hielhoogte na het afronden van de uitlijning kunnen de werking van de ledemaat nadelig beïnvloeden.



Zorg ervoor dat tijdens het besturen van motorvoertuigen alleen gebruik wordt gemaakt van geschikte aangepaste voertuigen. Iedereen dient zich bij het besturen van motorvoertuigen aan de geldende verkeersregels te houden.



Men dient voorzichtig te zijn bij het dragen van een zware last, omdat dit de stabiliteit van het hulpmiddel negatief kan beïnvloeden.



De gebruiker moet worden geadviseerd om contact op te nemen met de behandelaar als zijn/haar toestand verandert.



Blootstelling aan extreme hitte en/of kou vermijden.



Montage, onderhoud en reparatie van het hulpmiddel mogen alleen worden uitgevoerd door een hiervoor gekwalificeerde behandelaar.

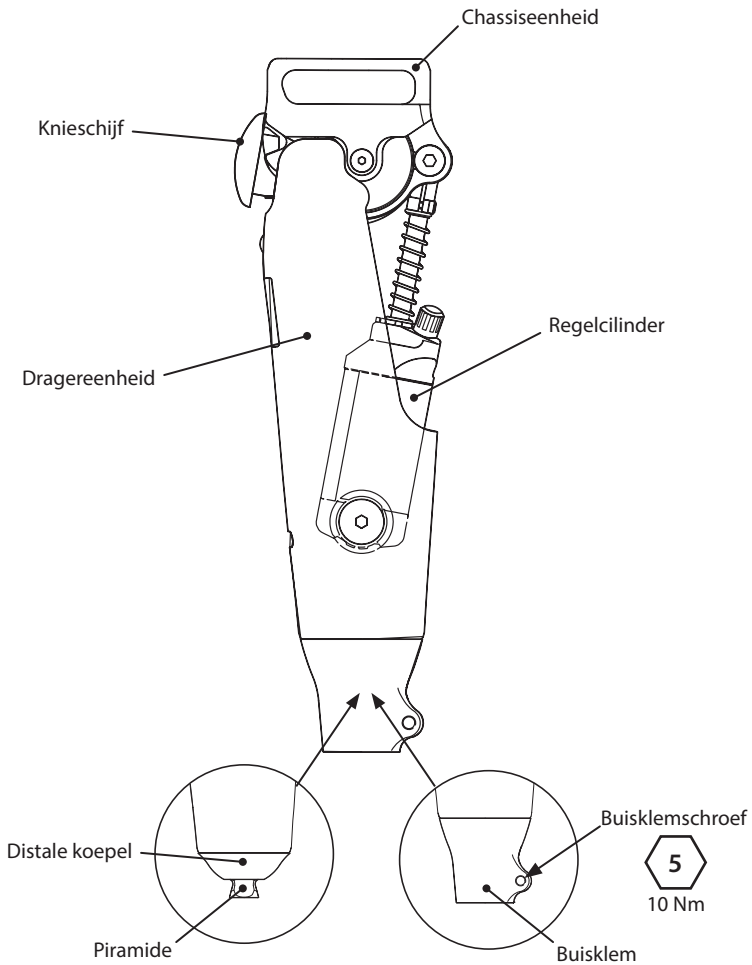


Het hulpmiddel is niet bedoeld voor gebruik ondergedompeld in water of als doucheprothese. Als de ledemaat in contact komt met water, veeg deze dan onmiddellijk droog.

# 3 Constructie

## Belangrijkste onderdelen

- Dragereenheid Koolstofvezelcomposiet en RVS
- Chassiseenheid Aluminiumlegering, RVS, technisch thermoplastic, vezelversterkt (asbestvrij) wrijvingsmateriaal.
- Regelcilinder Aluminiumlegering, RVS, titanium, technisch thermoplastic
- Distale koepel Aluminiumlegering
- Distale piramide Titanium met RVS-bout
- Distale buisklem Aluminiumlegering
- Knieschijf Technisch thermoplastic



---

## 4 Functie

Het hulpmiddel heeft een uniaxiaal ontwerp, bestaande uit een chassis en een drager die via een kniedraaipunt met elkaar zijn verbonden. In het chassis bevindt zich een door gewicht geactiveerd mechanisme voor stabilisatie van de knie. Het stabilisatiemechanisme heeft een verkrachtige actie, die bij belasting een beperkte standflexie biedt om schokbelasting bij het neerkomen van de hiel te absorberen.

Het hulpmiddel beschikt over een handmatig bediend knievergrendelingsmechanisme dat na activering door de gebruiker automatisch bij een volledige strekking van de knie in werking treedt en verdere kniebuiging onmogelijk maakt, ongeacht hoeveel lichaamsgewicht er op wordt uitgeoefend.

Na deactivering keert de knie weer terug naar een door gewicht geactiveerde stabilisering.

Binnen de dragerenheid bevindt zich een pneumatische regelcilinder die tussen het posterieure draaipunt van het chassis en het distale draaipunt van de drager is gemonteerd.

De cilinder beschikt over handmatig afstelbare ventielen die zelfstandige regeling van buig- en strekweerstand tijdens de zwenkfase bieden.

---

## 5 Onderhoud

Voer regelmatig een visuele controle van het hulpmiddel uit.

Meld elke verandering in prestaties van dit hulpmiddel aan de behandelaar/serviceprovider, zoals ongebruikelijke geluiden, toegenomen stijfheid of beperkte/overmatige rotatie, significante slijtage of overmatige verkleuring als gevolg van lange blootstelling aan UV-straling.

Informeer de behandelaar/leverancier over elke verandering in lichaamsgewicht en/of activiteitsniveau.

### Reiniging

Gebruik een vochtige doek en een mild reinigingsmiddel om de buitenoppervlakken te reinigen. Gebruik geen agressieve reinigingsmiddelen.

***De resterende instructies in dit hoofdstuk zijn alleen bedoeld voor gebruik door de behandelaar.***

Dit onderhoud mag alleen worden uitgevoerd door competent personeel (behandelaar of een hiervoor opgeleide technicus).

Voor optimale prestaties wordt een periodieke inspectie voor onaanvaardbaar lawaai, onaanvaardbare speling en stabiliteit aanbevolen. De periode tussen inspecties wordt bepaald door factoren zoals de activiteit van de gebruiker, de frequentie van gebruik en de stabiliteitsinstelling van de knie.

Als vuistregel geldt dat indien de instelling 6 posities of meer is en de gebruiker per jaar een gemiddelde van 600.000 stappen neemt, er een jaarlijkse inspectie wordt aanbevolen.

Voor een optimale stabiliteit en duurzaamheid raden we aan om de knie af te stellen op de persoonlijke stabiliteitsvereisten van de gebruiker. Zie het stroomdiagram of de handleiding voor instellen.

Voor het bepalen van het aantal stappen wordt het gebruik van een Limb Activity Monitor (bewaking voor ledemaatactiviteit) aanbevolen.

Bij deze inspecties:

- Controleer op zichtbare defecten die van invloed kunnen zijn op een juiste werking.
- Controleer de toestand en goede werking van de ontgrendelingskabel voor het dijbeen.
- Demonteer het kniemechanisme, reinig het, en monteer het weer.

Adviseer de gebruiker om het hulpmiddel regelmatig visueel te controleren; eventuele veranderingen in de prestaties van dit hulpmiddel moeten aan de behandelaar worden gemeld. Veranderingen in de prestaties kunnen onder andere zijn: een toename of afname in stijfheid van de knie, instabiliteit, verminderde kniesteun (vrije beweging) en eventueel ongebruikelijke geluiden.

### Opslag en hantering

Bij langdurige opslag dient het hulpmiddel droog te worden gehouden, binnen een temperatuurbereik van -15 °C tot 50 °C.

Maak gebruik van de meegeleverde verpakking van het product.

---

## 6 Beperkingen bij het gebruik

### Beoogde levensduur:

Er moet ter plaatse een risicobeoordeling worden uitgevoerd op basis van de activiteiten en het gebruik.

### Zwaar tillen

Het gewicht van de gebruiker en de belasting worden bepaald door de aangegeven limieten.

Het tillen en dragen van zware lasten door de gebruiker moet zijn gebaseerd op een risicobeoordeling ter plaatse.

### Omgeving

Vermijd blootstelling van het hulpmiddel aan corrosieve elementen zoals water, zuur of andere vloeistoffen. Vermijd ook omgevingen met schurende materialen, zoals zand; dit kan leiden tot vroegtijdige slijtage.

Uitsluitend voor gebruik bij temperaturen tussen -15 °C en 50 °C.



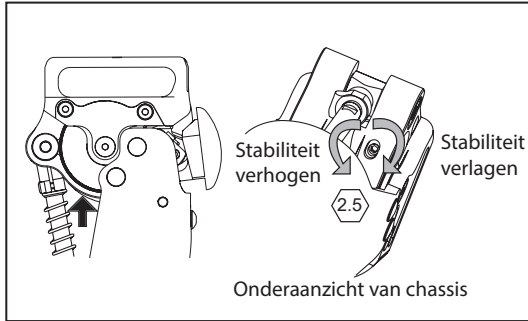
Geschikt voor gebruik buitenshuis

# 7 Statische uitlijning

*De instructies in dit hoofdstuk zijn alleen bedoeld voor gebruik door de behandelaar.*

## Proeflopen

### Instelling veereenheid



Strek de ledemaat geheel uit om bij de instelling te komen.

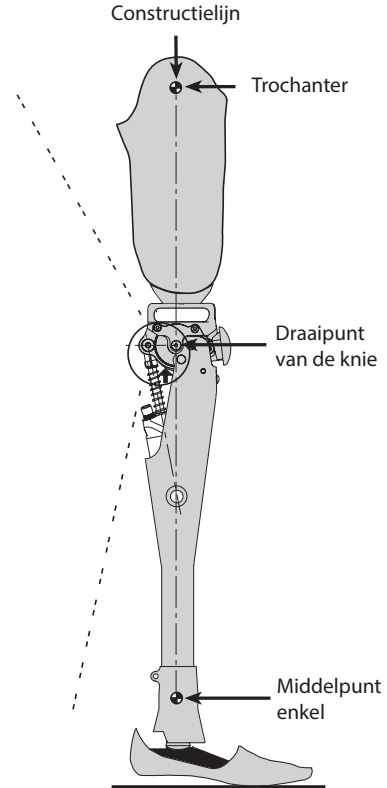
Draai de **INSTELLING VOOR VEEREENHEID** om de benodigde stabiliteit voor de betreffende gebruiker te verkrijgen.

Opmerking... Bij het instellen moet u de klikken kunnen horen, en de instel-eenheid vergrendelt zelf.

Draai de **VEEREENHEID** vast om de stabiliteit te verlagen.

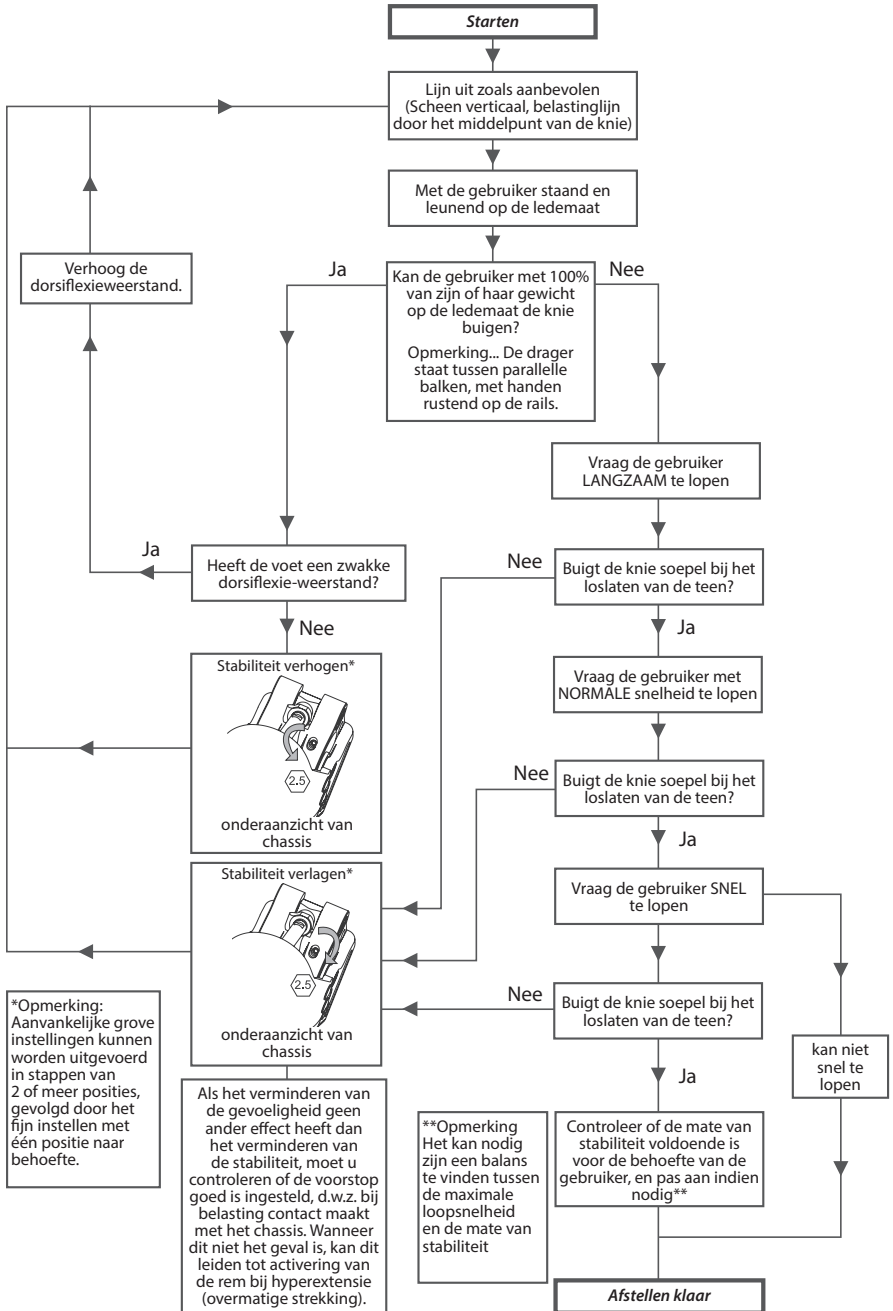
Draai de **VEEREENHEID** los om de stabiliteit te verhogen – zie hierboven.

Indien nodig kan de instelling naar de fabrieksinstelling worden teruggezet. Dit kan worden bereikt door de stabiliteit met zes hoorbare klikken vanuit de instelling voor maximale stabiliteit te verlagen.



# 8 Advies over uitlijnen en afstellen stabiliteit

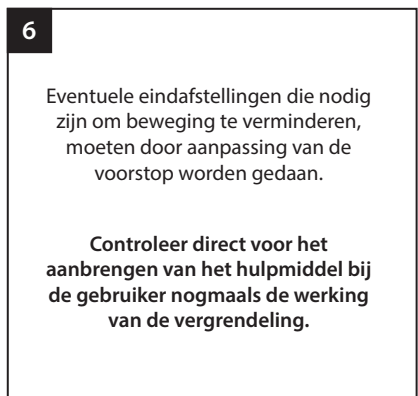
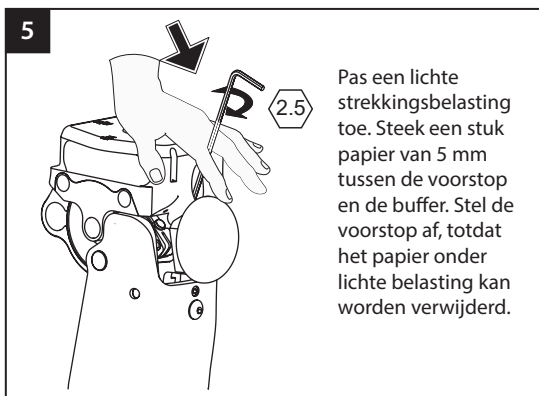
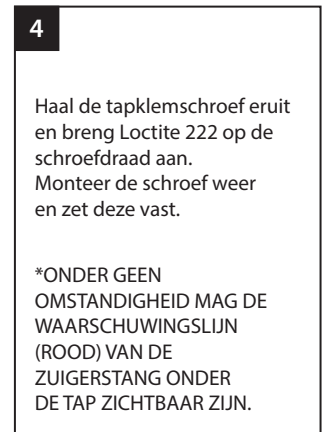
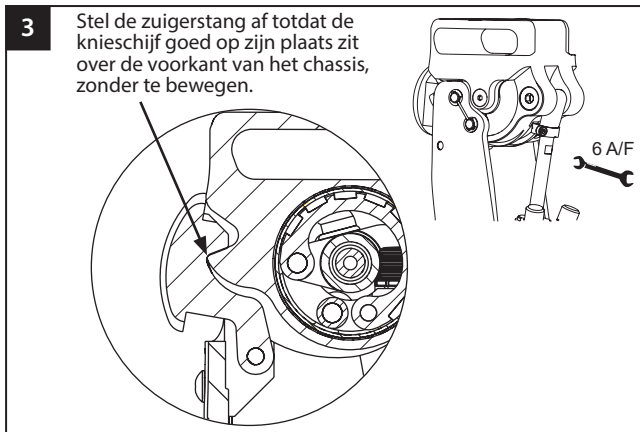
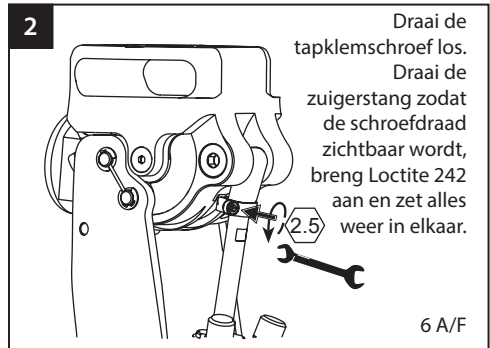
De instructies in dit hoofdstuk zijn alleen bedoeld voor gebruik door de behandelaar.



## 9 Instellen MKL

*De instructies in dit hoofdstuk zijn alleen bedoeld voor gebruik door de behandelaar.*

(Deze instellingen worden in de fabriek gedaan. Als hierna aanpassingen moeten worden gedaan, kunnen de volgende stappen worden gevolgd.)





## 9.1 Verdere instellingen

*De instructies in dit hoofdstuk zijn alleen bedoeld voor gebruik door de behandelaar.*

Symptoom	Oplossing
De knie stabiliseert niet	Verhoog de gevoeligheid
	Verschuif de koker anterior
	Vervang het stabilisatiemechanisme indien de achterkant van de rem is beschadigd
De knie laat niet los	Verlaag de gevoeligheid
	Controleer de instelling van de voorstop
	Verschuif de koker posterieur
De knievergrendeling vindt niet plaats.	Controleer of de vergrendeling van de knie niet door de beschermer (indien aangebracht) wordt gehinderd.
Speling of beweging in de knievergrendeling	Controleer de instelling van de zuigerstang
Tijdens de zwaai is de hielheffing te hoog	Zie gebruikshandleiding regelcilinder
Tijdens de zwaai is de hielheffing te laag	Zie gebruikshandleiding regelcilinder
De gebruiker ervaart eindimpact	Zie gebruikshandleiding regelcilinder
Het hulpmiddel strekt zich tijdens de zwaai niet helemaal uit	Zie gebruikshandleiding regelcilinder

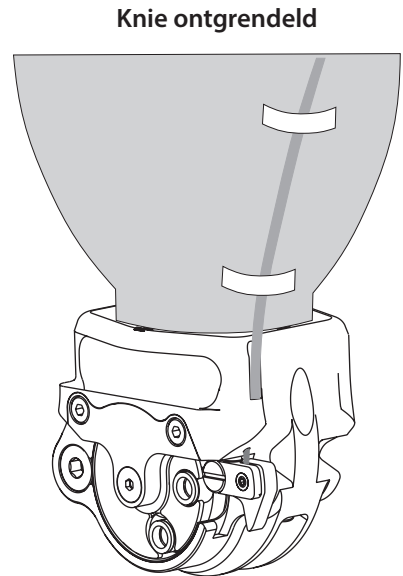
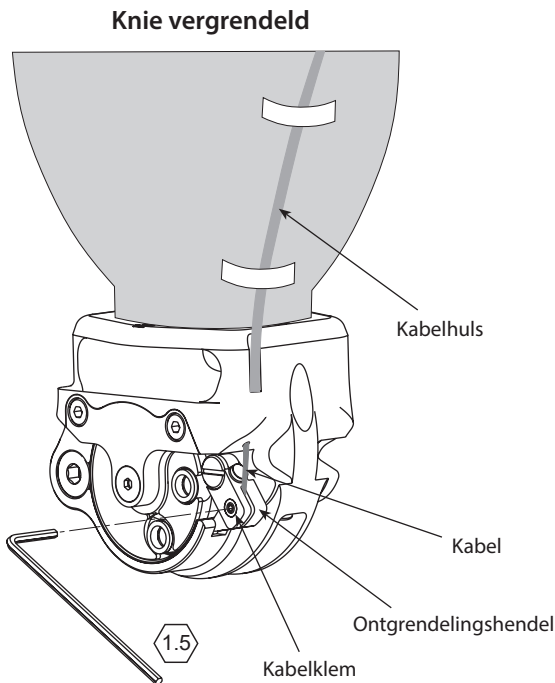
Indien u na het volgen van deze instructies nog steeds problemen met de werking ervaart, kunt u contact opnemen met het verkoopteam in uw regio voor meer informatie.

## 10 Monteren van kabel

Met behulp van ontgrendelingsset dijbeen (239640) - afzonderlijk verkrijgbaar.

*De instructies in dit hoofdstuk zijn alleen bedoeld voor gebruik door de behandelaar.*

1. Leg de kabel tegen de koker en zoek de huls in het tegengat aan de voorkant van het chassis (houd rekening met veranderingen in de uitlijning).
2. Steek de binnenkabel door het gat in het chassis.
3. Steek de kabel door de kabelklem en zet de kabel vast door deze op het ontblote deel aan het einde van de kabel vast te klemmen.
4. Bij het aanbrengen van de kabel op de eenheid voor ontgrendelen van het dijbeen dient u ervoor te zorgen dat de ontgrendelingshendel tegen de knieschijf werkt, zodat de knie op de juiste wijze wordt ontgrendeld.
5. Raadpleeg de montage-instructies die bij de set voor ontgrendelen dijbeen zijn meegeleverd.



De knieschijf en scheencomponenten zijn voor de duidelijkheid niet weergegeven.

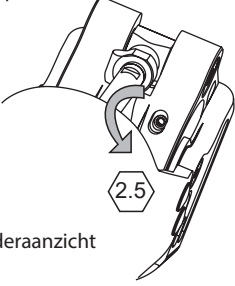
Raadpleeg voor het instellen van zwaairegeleenheden de gebruiksaanwijzing voor de PSPC 938057.

# 11 Montage-instructies

De instructies in dit hoofdstuk zijn alleen bedoeld voor gebruik door de behandelaar.

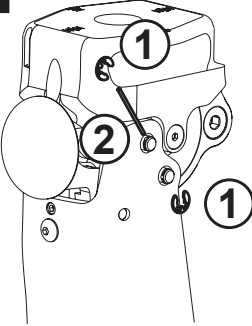
## 11.1 Verwijderen van ESK+-mechanisme

**1** Verwijder de instellingen en noteer het aantal posities.

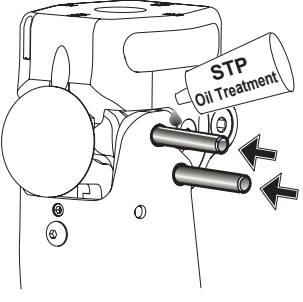


Onderaanzicht

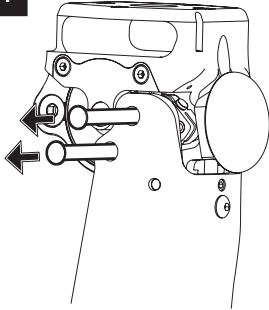
**2**



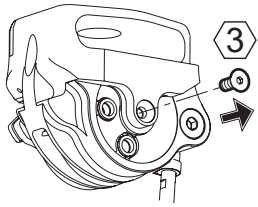
**3**



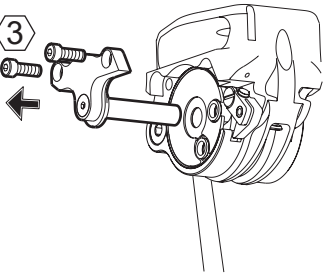
**4**



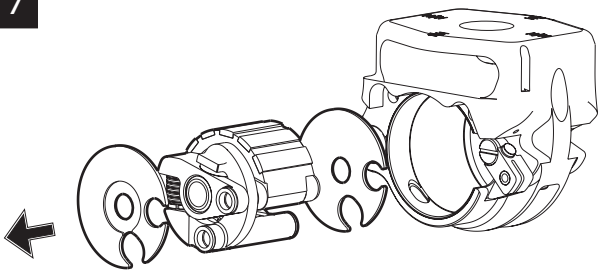
**5**



**6**

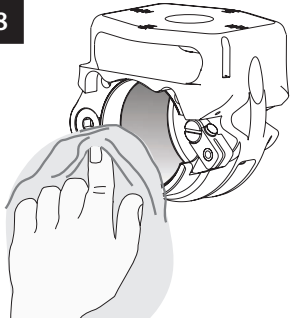


**7**



Het rembandmateriaal mag met papier worden schoongeveegd; gebruik geen reinigingsmiddelen.

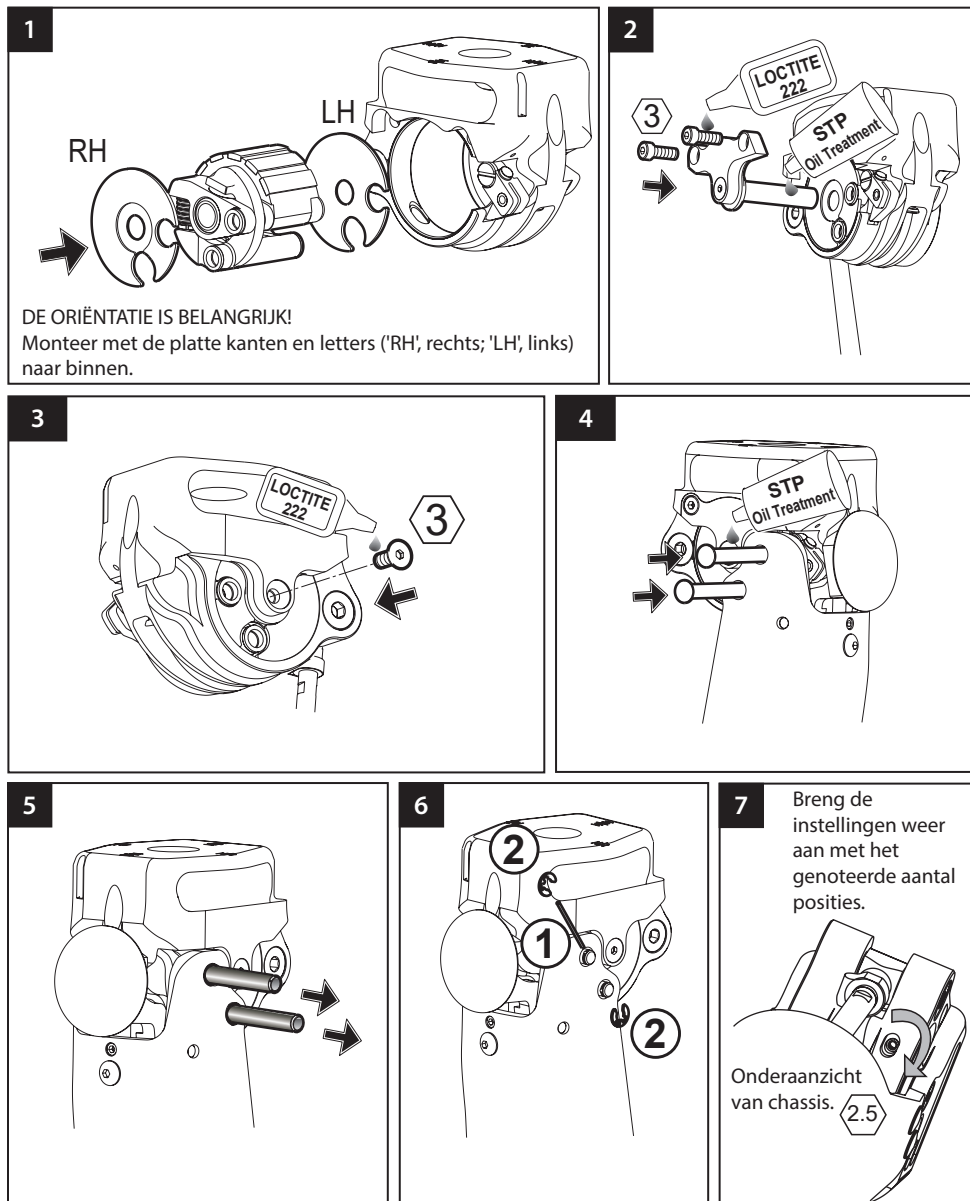
**8**



Reinig het boorgat met een geschikt reinigingsmiddel.

## 11.2 Vervangen van ESK+-mechanisme

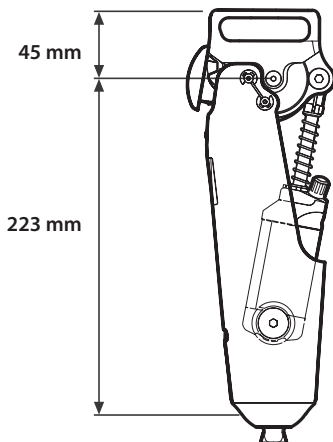
De instructies in dit hoofdstuk zijn alleen bedoeld voor gebruik door de behandelaar.



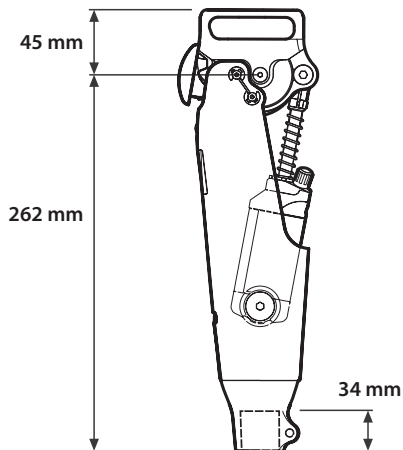
## 12 Technische gegevens

Temperatuurbereik voor gebruik en opslag:	-15 °C tot 50 °C
Gewicht component:	1,2 kg
Activiteitsniveau:	1-3
Maximaal gewicht gebruiker:	125 kg
Maximale buighoek:	115°
Bevestiging proximale uitlijning:	Enkele bout (Blatchford)
Bevestiging distale uitlijning:	Buisklem van 30 mm of mannelijke piramide (Blatchford)
Constructiehoogte:	Zie de onderstaande diagrammen.

### Inbouwlengthe



**ESK+ MKL met distale  
piramide**



**ESK+ MKL met distale  
buisklem van 30 mm**

# 13 Bestelinformatie

## Voorbeeld voor bestellen

	ESK+ met handmatige knievergrendeling									
	Distale buisklem van 30 mm					Distale piramide				
Pneumatische cilinder	ESK	SB	MKL	P	30	ESK	SB	MKL	P	PYR
	ESK+	Enkel-bouts	Handmatige knie-vergrendeling	PSPC	Distale buisklem van 30 mm	ESK+	Enkel-bouts	Handmatige knie-vergrendeling	PSPC	Distale piramide

## Vervangingsonderdelen

Artikel	Ond. nr.
ESK+ MKL knie-eenheid	239440
Ontgrendelingsset dijbeen	239640
Uitlijnpen ESK-mechanisme	234914
ESK+-stabilisatiemechanismeset	239949

## Aansprakelijkheid

De fabrikant raadt aan het hulpmiddel alleen onder de gespecificeerde omstandigheden en voor de beoogde doeleinden te gebruiken. Het hulpmiddel moet worden onderhouden volgens de bij het hulpmiddel geleverde gebruiksaanwijzing. De fabrikant is niet aansprakelijk voor enig negatief resultaat dat wordt veroorzaakt door combinaties van componenten die niet door de fabrikant zijn geautoriseerd.

## CE-conformiteit

Dit product voldoet aan de eisen van de Europese Verordening EU 2017/745 voor medische hulpmiddelen. Dit product is geclassificeerd als product van klasse I volgens de classificatiecriteria zoals uiteengezet in bijlage IX van de verordening. Het certificaat van de EU-conformiteitsverklaring is beschikbaar op het volgende internetadres: [www.blatchford.co.uk](http://www.blatchford.co.uk).



Medisch hulpmiddel



Eén patiënt - meervoudig gebruik

## Compatibiliteit

Het combineren met producten van het merk Blatchford is goedgekeurd op basis van testen in overeenstemming met relevante normen en de MDR, waaronder structurele testen, compatibiliteit in afmetingen en gemonitorde prestaties in het veld.

Het combineren met alternatieve producten met een CE-markering moet worden uitgevoerd op basis van een gedocumenteerde risicobeoordeling ter plaatse die door een behandelaar is uitgevoerd.

## Garantie

Dit hulpmiddel heeft een garantie van 24 maanden, de remband heeft een garantie van 12 maanden.

De gebruiker moet zich ervan bewust zijn dat bij wijzigingen of aanpassingen die niet uitdrukkelijk zijn goedgekeurd, de garantie, gebruikslicenties en uitzonderingen kunnen komen te vervallen.

Raadpleeg de website van Blatchford voor de actuele volledige garantieverklaring.

## Ernstige incidenten melden

In het onwaarschijnlijke geval van een ernstig incident dat zich voordoet met betrekking tot dit hulpmiddel, moet dit worden gemeld bij de fabrikant en de bevoegde instantie van uw land.

## Milieuaspecten

Dit product bevat hydraulische olie, gemengde metalen en kunststoffen. Waar mogelijk moeten de componenten worden gerecycled in overeenstemming met de plaatselijke regelgeving op het gebied van afvalverwerking.

## Het etiket van de verpakking bewaren

De behandelaar wordt geadviseerd het etiket van de verpakking te bewaren als registratie van het geleverde hulpmiddel.

## Geregistreerd adres fabrikant

Blatchford Products Limited, Lister Road, Basingstoke RG22 4AH, VK.

## Erkenning handelsmerken

Blatchford is een geregistreerd handelsmerk van Blatchford Products Limited.

Spis treści .....	104
1 Opis i przeznaczenie .....	105
2 Informacje dotyczące bezpieczeństwa .....	107
3 Budowa .....	108
4 Zasada działania .....	109
5 Konserwacja .....	109
6 Ograniczenia w użytkowaniu .....	110
7 Osiowanie statyczne .....	111
8 Porady dotyczące osiowania i stabilizowania .....	112
9 Regulacja ręcznej blokady kolana .....	113
9.1 Dalsza regulacja .....	114
10 Montaż linki .....	115
11 Instrukcje montażu .....	116
11.1 Wymywanie mechanizmu ESK+ .....	116
11.2 Wymiana mechanizmu ESK+ .....	117
12 Specyfikacja techniczna .....	118
13 Składanie zamówień .....	119



# 1 Opis i przeznaczenie

Niniejsza instrukcja obsługi przeznaczona jest do użytku dla lekarza i użytkownika, chyba że podano inaczej.

Termin „wyrób” używany w niniejszej instrukcji użytkownika odnosi się do produktów ESK+ z ręczną blokadą kolana.

Prosimy o zapoznanie się z treścią tego dokumentu i upewnienie się, że wszystkie instrukcje użytkownika są zrozumiałe, w szczególności wszystkie informacje dotyczące bezpieczeństwa i instrukcje konserwacji.

## Zastosowanie

Ten wyrób przeznaczony jest do użytku wyłącznie jako element protezy kończyny dolnej.

Ten wyrób medyczny jest przeznaczony do użytku u jednego pacjenta.

Niniejszy wyrób to zespół przegubu kolanowego wyposażony w ramę jednoosiową do aktywowanej obciążeniowo stabilizacji kolana, zapewniający wsparcie dla protezy podczas poruszania się ze zmienną kadencją po zróżnicowanym terenie, który ma na celu poprawę bezpieczeństwa i ograniczenie kompensacji. Jest on dostępny z funkcją pneumatycznej kontroli fazy wymachu (PSPC, ang. *pneumatic swing phase control*) o stałym ustawieniu.

Wyrób ten wyposażony jest w ręcznie obsługiwaną blokadę kolana, którą można włączyć w sytuacjach, gdy wymagane jest dodatkowe zabezpieczenie.

## Cechy charakterystyczne

	Ręcznie regulowana funkcja PSPC	Ręczna blokada kolana włączona
Ograniczone zgięcie w fazie podparcia w warunkach obciążenia	✓	
Wytrzymała rama z włókna węglowego	✓	✓
Zgięcie kolana pod kątem 115 stopni	✓	
Regulowana czułość stabilizacji kolana	✓	
Niezależna ręczna regulacja zgięcia i wyprostów podczas fazy wymachu	✓	
Blokada kolana podczas dłuższego okresu obciążenia w celu zapewnienia dodatkowego bezpieczeństwa		✓

## Poziom aktywności

Niniejszy wyrób idealnie nadaje się dla użytkowników na poziomie aktywności 2, którzy mogą skorzystać z ręcznej blokady kolana w sytuacjach, w których wymagane jest zapewnienie zwiększonego bezpieczeństwa (obowiązują ograniczenia wagowe, patrz punkt *Specyfikacja techniczna*).

Użytkownicy o poziomie aktywności 1 i 3 również mogą odnieść korzyści z ręcznej blokady kolana w podobnych sytuacjach. Każdą taką decyzję należy jednak podjąć po wnikliwej i szczegółowej ocenie danego przypadku.

### Poziom aktywności 1

Zdolność lub potencjalna możliwość poruszania się i przenoszenia kończyny na równych powierzchniach przy stałej kadencji. Typowy model poruszania się z ograniczeniami lub bez, w warunkach domowych.

### Poziom aktywności 2

Zdolność lub potencjalna możliwość poruszania się z pokonywaniem niskich przeszkód, takich jak krawężniki, schody lub nierówne powierzchnie. Typowy model poruszania się w ograniczonym zakresie poza domem.

### Poziom aktywności 3

Zdolność lub potencjalna możliwość poruszania się ze zmienną kadencją. Zalecana osobom funkcjonującym w społeczeństwie, które oprócz wykorzystywania protezy do przemieszczania się, są zdolne do pokonywania większości barier środowiskowych i są w stanie podejmować czynności zawodowe, terapeutyczne lub ruchowe.

Ten wyrób nie jest odpowiedni dla użytkowników biorących udział w zawodach sportowych. Użytkownicy na tym poziomie aktywności wymagają specjalnie zaprojektowanej protezy, zoptymalizowanej pod kątem ich potrzeb.

## Korzyści kliniczne

- Aktywowana obciążeniowo kontrola w fazie podparcia i regulowana kontrola w fazie wymachu zapewniają płynny, bezpieczny chód bez blokady kolana.
- Ręczna blokada umożliwia pacjentowi zablokowanie kolana w celu zapewnienia dodatkowego bezpieczeństwa, gdy zachodzi taka potrzeba.

## Przeciwwskazania

Ten wyrób nie jest przeznaczony dla:

- Użytkowników z ekstremalnym osłabieniem mięśni, przykurczami, których nie można odpowiednio skorygować, lub dysfunkcją proprioceptywną, w tym zaburzeniem równowagi.
- Użytkowników z niestabilnością lub patologią stawu po przeciwnej stronie.
- Użytkowników ze skomplikowanymi schorzeniami obejmującymi wiele rodzajów niepełnosprawności.
- Użytkownicy, którzy wymagają funkcji uginania się kolana, aby móc zejść po schodach lub usiąść, w tym osoby po obustronnej amputacji na poziomie uda. Może to prowadzić do uszkodzenia mechanizmu wyhamowującego, co może negatywnie wpłynąć na stabilność i trwałość.
- Użytkownicy o słabej sprawności rąk mogą mieć trudności z obsługą ręcznej blokady kolana.



**Użytkownicy muszą przejść szkolenie w zakresie prawidłowego chodzenia przed rozpoczęciem korzystania z tego wyrobu.**



**Należy upewnić się, że użytkownik zrozumiał wszystkie instrukcje użytkowania, zwracając szczególną uwagę na punkty dotyczące konserwacji i bezpieczeństwa użytkownika.**

## 2 Informacje dotyczące bezpieczeństwa



Ten symbol ostrzegawczy oznacza istotne wskazówki dotyczące bezpieczeństwa.



Istnieje niebezpieczeństwo przytrzaśnięcia palców.



Wszelkie zmiany w działaniu lub funkcjonowaniu protezy, np. niestabilność, przeskakiwanie mechanizmu, ograniczenie ruchu, brak płynności ruchu lub nietypowe odgłosy, należy natychmiast zgłaszać świadczeniodawcy.



Przy schodzeniu, zwłaszcza po schodach, zawsze należy korzystać z poręczy, o ile jest dostępna.



Wszelkie nadmierne zmiany wysokości położenia pięty po zakończeniu regulacji mogą negatywnie wpłynąć na funkcjonowanie kończyny.



Do jazdy samochodem należy korzystać wyłącznie z odpowiednio przystosowanych pojazdów. Prowadząc pojazdy mechaniczne, każdy zobowiązany jest do przestrzegania obowiązujących przepisów ruchu drogowego.



Przenosząc znaczne obciążenia należy zachować szczególną ostrożność, gdyż przegub może tracić stabilność.



Użytkownika należy poinformować, że jeśli jego stan zdrowia ulegnie zmianie, powinien on skontaktować się ze swoim lekarzem.



Prosimy unikać ekspozycji na ekstremalne ciepło i/lub zimno.



Montaż, konserwację i naprawę niniejszego wyrobu mogą przeprowadzać wyłącznie odpowiednio wykwalifikowani klinicyści.

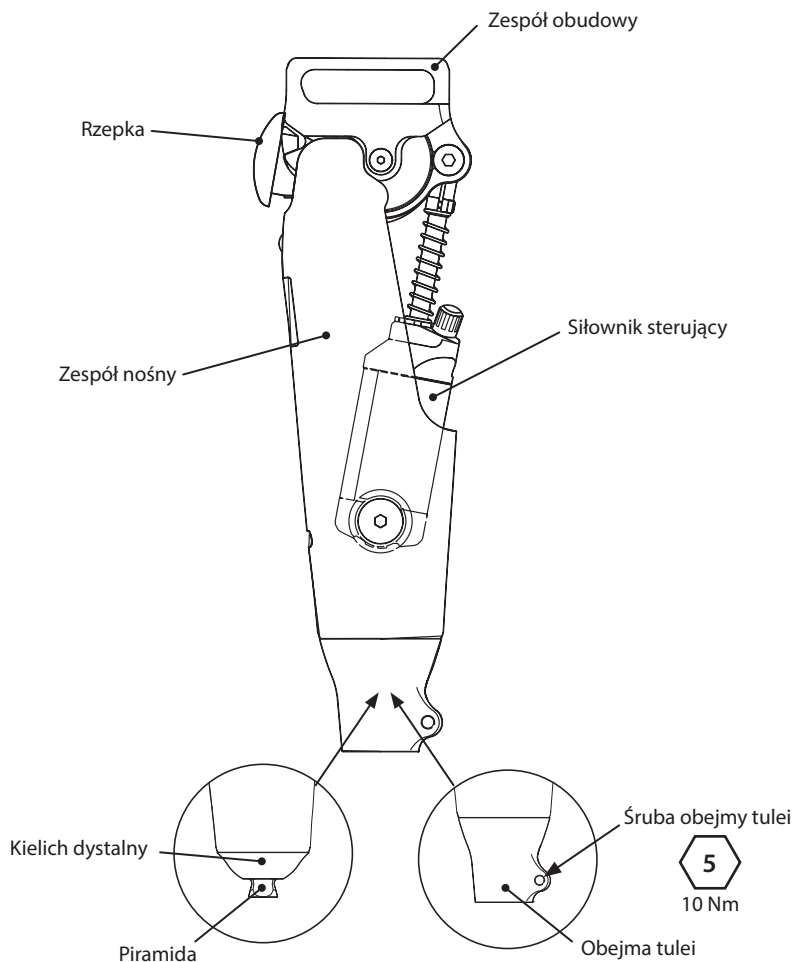


Ten wyrób nie jest przeznaczony do stosowania w środowisku wodnym lub jako proteza pod prysznic. W przypadku kontaktu kończyny z wodą wyrób należy natychmiast wytrzeć do sucha.

## 3 Budowa

### Główne elementy

- Zespół nośny Kompozyt z włókna węglowego i stal nierdzewna
- Zespół obudowy Stop aluminium, stal nierdzewna, tworzywo termoplastyczne, materiał cierny wzmocniony włóknem (bezazbestowy)
- Siłownik sterujący Stop aluminium, stal nierdzewna, tytan, tworzywo termoplastyczne
- Kopuła dystalna Stop aluminium
- Dystalne złącze piramidalne Tytan ze śrubą ze stali nierdzewnej
- Dystalna obejma tulei Stop aluminium
- Rzepka Tworzywo termoplastyczne



---

## 4 Zasada działania

Niniejszy wyrób to konstrukcja jednoosiowa składająca się ze sworznia kolana łączącego obudowę z zespołem nośnym. Aktywowany obciążeniowo mechanizm stabilizujący kolana umieszczony jest w obudowie. Mechanizm stabilizujący wykazuje działanie sprężyste, co zapewnia ograniczoną możliwość zgięcia w fazie podparcia pod obciążeniem w celu absorpcji obciążeń uderzeniowych przy uderzeniu pięty.

Wyrób ten wyposażony jest w ręcznie obsługiwany mechanizm blokady kolana, który po uruchomieniu przez użytkownika automatycznie włącza się przy pełnym wyproście kolana i zapobiega dalszemu zgięciu kolana niezależnie od przyłożonej masy ciała.

Po dezaktywacji kolano powraca do stabilizacji aktywowanej obciążeniowo.

W zespole nośnym znajduje się pneumatyczny siłownik sterujący zamontowany między tylnym sworzniem obudowy a dystalnym sworzniem zespołu nośnego.

Siłownik wyposażony jest w ręcznie regulowane zawory, które zapewniają niezależną kontrolę oporu podczas zgięcia i wyprostowania w fazie wymachu.

---

## 5 Konserwacja

Wyrób należy regularnie sprawdzać wzrokowo.

Wszelkie zmiany w działaniu niniejszego wyrobu, takie jak nietypowe odgłosy, zwiększona sztywność lub ograniczona / nadmierna rotacja, znaczne zużycie lub odbarwienia spowodowane długotrwałą ekspozycją na promieniowanie UV, należy zgłaszać lekarzowi lub świadczeniodawcy.

Lekarza lub świadczeniodawcę należy również informować o wszelkich zmianach masy ciała i/lub poziomu aktywności użytkownika.

### Czyszczenie

Do czyszczenia powierzchni zewnętrznych należy używać ściereczki zwilżonej roztworem z łagodnego mydła. NIE WOLNO stosować żrących środków czyszczących.

***Pozostałe instrukcje w tej części są przeznaczone wyłącznie dla lekarza.***

Konserwację może przeprowadzać wyłącznie wykwalifikowany personel (lekarz lub przeszkolony technik).

Aby utrzymać optymalną wydajność, zaleca się przeprowadzanie okresowych przeglądów pod kątem niedopuszczalnych odgłosów, luzu i stabilności. Okres czasu pomiędzy poszczególnymi przeglądami zależy od takich czynników, jak aktywność użytkownika, częstotliwość użytkowania oraz konfiguracja stabilności kolana.

Orientacyjnie, jeśli stabilność ustawiona jest na co najmniej 6 kliknięć, a użytkownik wykonuje średnio 600 000 kroków rocznie, zaleca się wykonywanie corocznych przeglądów.

Aby zapewnić optymalną stabilność i trwałość, zalecamy dostosowanie przegubu kolanowego do wymagań stabilności danego użytkownika. Prosimy zapoznać się ze wskazówkami dotyczącymi regulacji / schematem blokowym.

W celu określenia liczby kroków zaleca się stosowanie monitora aktywności kończyny.

Podczas tych przeglądów:

- Wyrób należy sprawdzać wizualnie pod kątem defektów, które mogłyby mieć wpływ na jego prawidłowe funkcjonowanie.
- Sprawdzić stan wyrobu oraz linkę do odciążania uda pod kątem prawidłowego działania.
- Zdemontować, wyczyścić i ponownie zmontować mechanizm przegubu kolanowego.

Należy poinformować użytkownika, aby przeprowadzał regularną kontrolę wzrokową wyrobu, a wszelkie zmiany w działaniu tego wyrobu zgłaszał lekarzowi. Zmiany w funkcjonowaniu mogą obejmować: zwiększenie lub zmniejszenie sztywności lub niestabilność przegubu kolanowego, zmniejszone podparcie w przegubie kolanowym (swobodny ruch), wszelkie nietypowe odgłosy.

### **Przechowywanie i obsługa**

W przypadku przechowywania przez dłuższy czas wyrób należy przechowywać w suchym miejscu, w temperaturze od  $-15^{\circ}\text{C}$  do  $50^{\circ}\text{C}$ .

Wyrób przechowywać w oryginalnym opakowaniu.

---

## **6 Ograniczenia w użytkowaniu**

### **Przewidywany okres eksploatacji:**

Miejscową ocenę ryzyka należy przeprowadzić na podstawie aktywności i użytkowania.

### **Podnoszenie ciężkich przedmiotów**

Masa ciała i aktywność użytkownika podlegają wcześniej wymienionym ograniczeniom.

Podnoszenie ciężkich przedmiotów przez użytkownika musi zostać poprzedzone indywidualną oceną ryzyka.

### **Środowisko**

Należy unikać narażania wyrobu na działanie czynników korozyjnych, takich jak woda, kwasy i inne płyny. Należy również unikać środowisk, w których może wystąpić efekt ścierania, na przykład terenów piaszczystych, ponieważ mogą one sprzyjać przedwczesnemu zużyciu.

Wyrób może być użytkowany wyłącznie w temperaturach od  $-15^{\circ}\text{C}$  do  $50^{\circ}\text{C}$ .



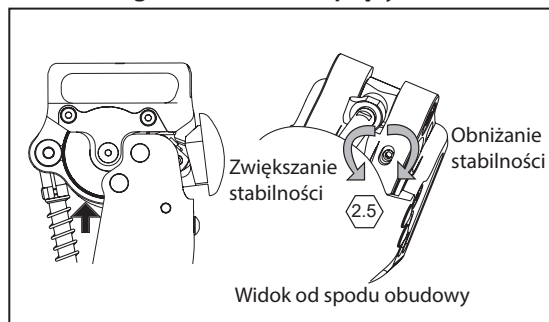
Można używać na zewnątrz

## 7 Osioowanie statyczne

Instrukcje w tej części są przeznaczone wyłącznie dla lekarza.

### Próby chodzenia

#### Regulator zestawu sprężyn



Całkowicie wyprostować kończynę, aby uzyskać dostęp do regulatora.

Obracać REGULATOR ZESTAWU SPRĘŻYN, aby uzyskać odpowiednią stabilność dostosowaną do potrzeb osoby po amputacji.

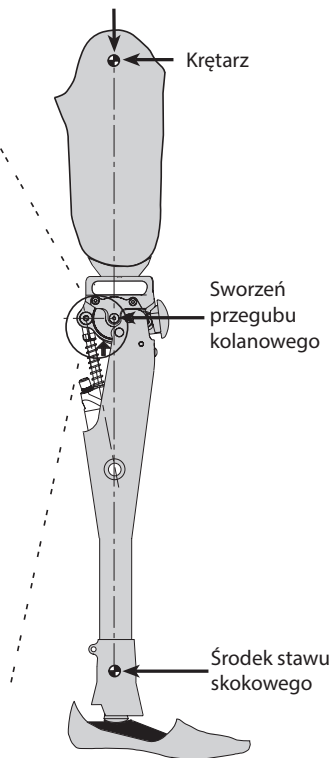
Uwaga... Podczas regulacji powinny być słyszalne kliknięcia, a regulator samoczynnie zablokuje się.

Dokręcić ZESTAW SPRĘŻYN, aby zmniejszyć stabilność.

Zwolnić ZESTAW SPRĘŻYN, aby zwiększyć stabilność — patrz powyżej.

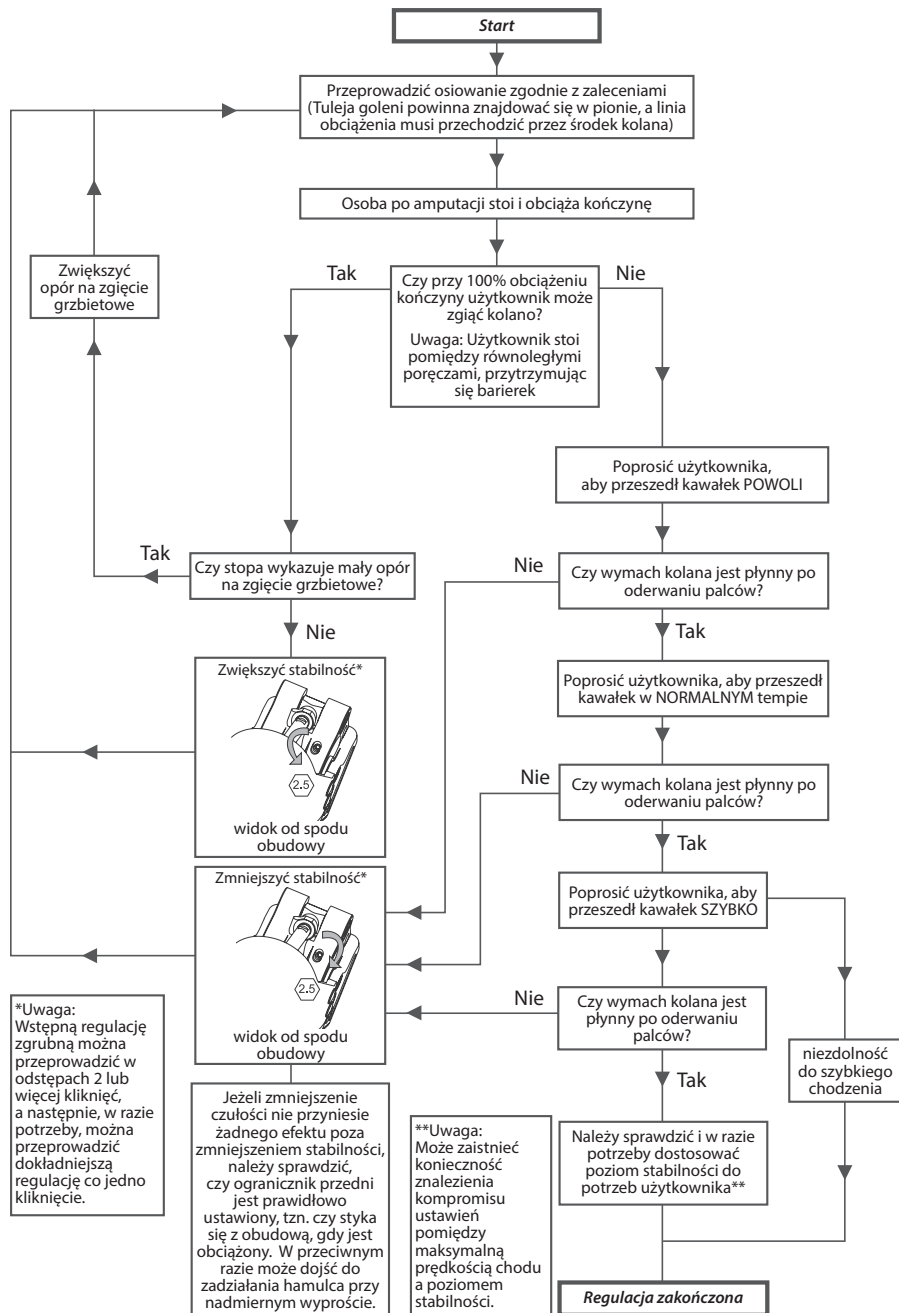
W razie potrzeby regulator można przywrócić do ustawień fabrycznych. Można tego dokonać poprzez zmniejszenie stabilności o sześć słyszalnych kliknięć od maksymalnego ustawienia stabilności.

Oś symetrii budowy ciała



# 8 Porady dotyczące osiowania i stabilizowania

Instrukcje w tej części są przeznaczone wyłącznie dla lekarza.

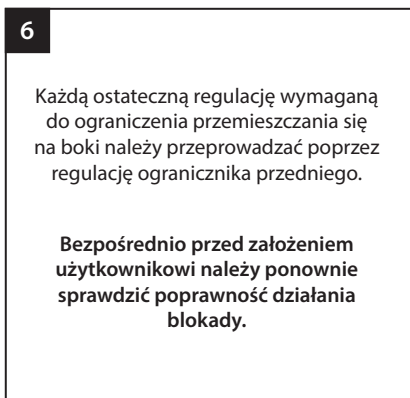
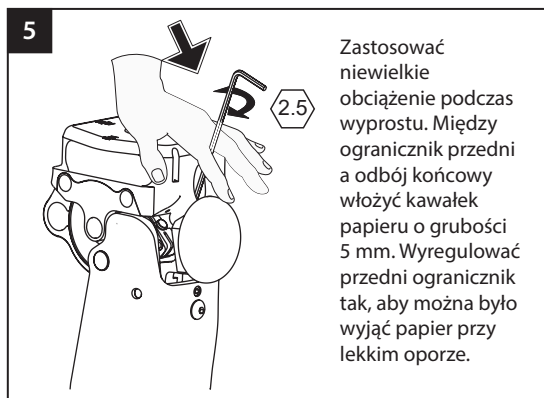
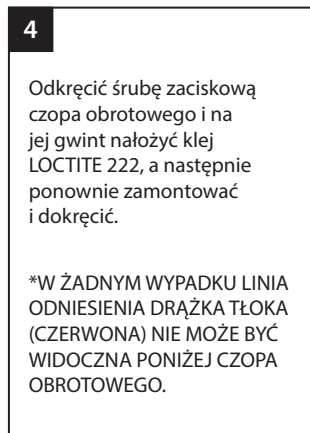
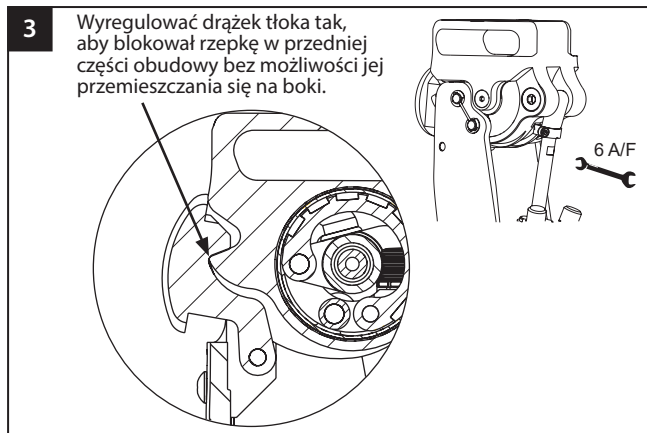
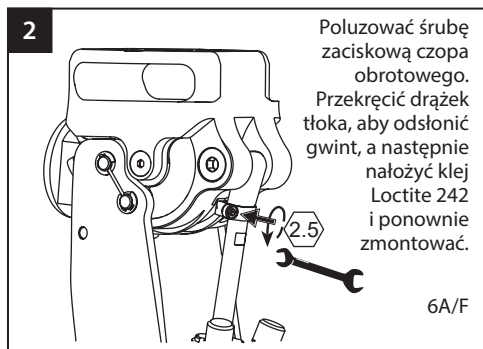
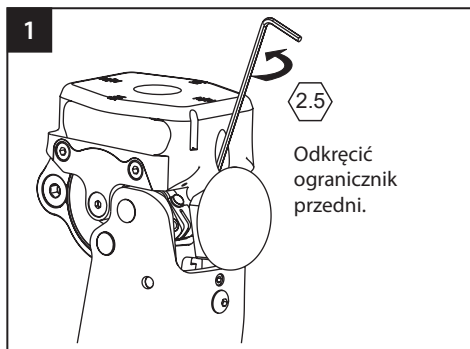




## 9 Regulacja ręcznej blokady kolana

*Instrukcje w tej części są przeznaczone wyłącznie dla lekarza.*

(Takie regulacje przeprowadzane są fabrycznie, jednak w przypadku konieczności dalszej regulacji należy wykonać poniższe czynności).



## 9.1 Dalsza regulacja

*Instrukcje w tej części są przeznaczone wyłącznie dla lekarza.*

Oznaki problemu	Rozwiązanie
Kolano nie stabilizuje się.	Zwiększyć czułość.
	Przesunąć lej do przodu.
	W przypadku uszkodzenia krawędzi wleczonej hamulca należy wymienić mechanizm stabilizujący.
Kolano nie zostaje zwolnione.	Zmniejszyć czułość.
	Sprawdzić regulację ogranicznika przedniego
	Przesunąć lej do tyłu.
Blokada kolana nie aktywuje się	Sprawdzić, czy aktywacja blokady nie jest utrudniona/ograniczona przez osłonę (jeśli jest zamontowana)
Obluzowanie/przemieszczanie się elementów w blokadzie kolana	Sprawdzić regulację drążka tłoka
Pięta unoszona jest zbyt wysoko podczas wymachu.	Należy zapoznać się instrukcją użycia siłownika sterującego.
Pięta nie jest wystarczająco unoszona podczas wymachu.	Należy zapoznać się instrukcją użycia siłownika sterującego.
Odczuwalne uderzenie w fazie końcowego kontaktu stopy z podłożem.	Należy zapoznać się instrukcją użycia siłownika sterującego.
Proteza nie prostuje się całkowicie w fazie wymachu.	Należy zapoznać się instrukcją użycia siłownika sterującego.

Jeśli po zastosowaniu się do opisanych instrukcji w dalszym ciągu występują problemy z funkcjonowaniem wyrobu, prosimy o kontakt z zespołem ds. sprzedaży w swoim regionie w celu uzyskania porady.

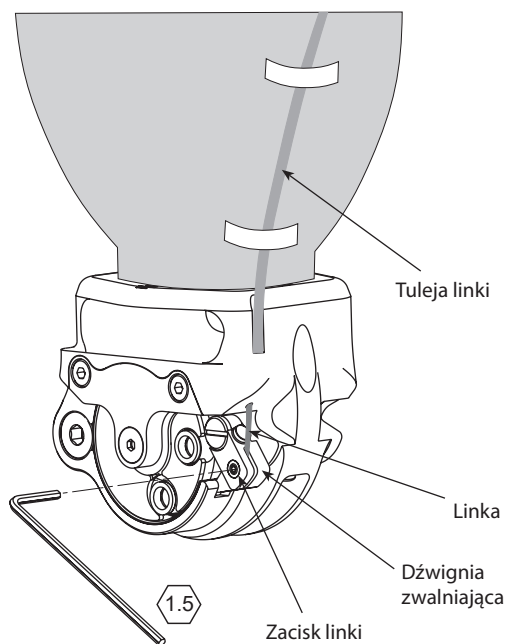
## 10 Montaż linki

Korzystanie z zestawu do odciążania uda (239640) — dostępnego oddzielnie

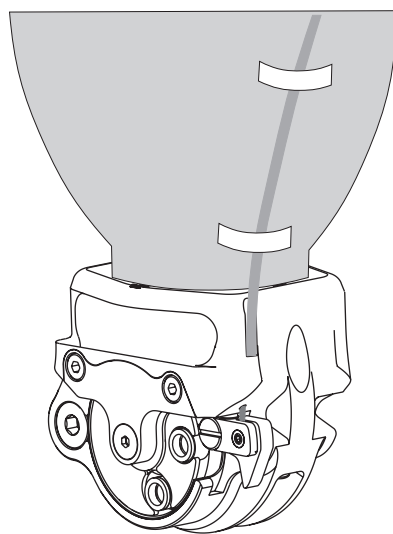
*Instrukcje w tej części są przeznaczone wyłącznie dla lekarza.*

1. Ułożyć linkę wzdłuż leja, a następnie umieścić tuleję w otworze z pogłębieniem walcowym z przodu obudowy (należy uwzględnić zakres zmian podczas osiowania).
2. Przełożyć linkę wewnętrzną przez otwór w obudowie.
3. Przełożyć linkę przez zacisk linki i zamocować, zaciskając na ocynowanej powierzchni na końcu linki.
4. Podczas montażu linki do odciążania uda należy upewnić się, że dźwignia zwalnająca działa na rzepkę, aby odblokować kolano zgodnie z wymaganiami.
5. Należy zapoznać się z instrukcją montażu dostarczoną wraz z zestawem do odciążania uda.

**Kolano zablokowane**



**Kolano odblokowane**



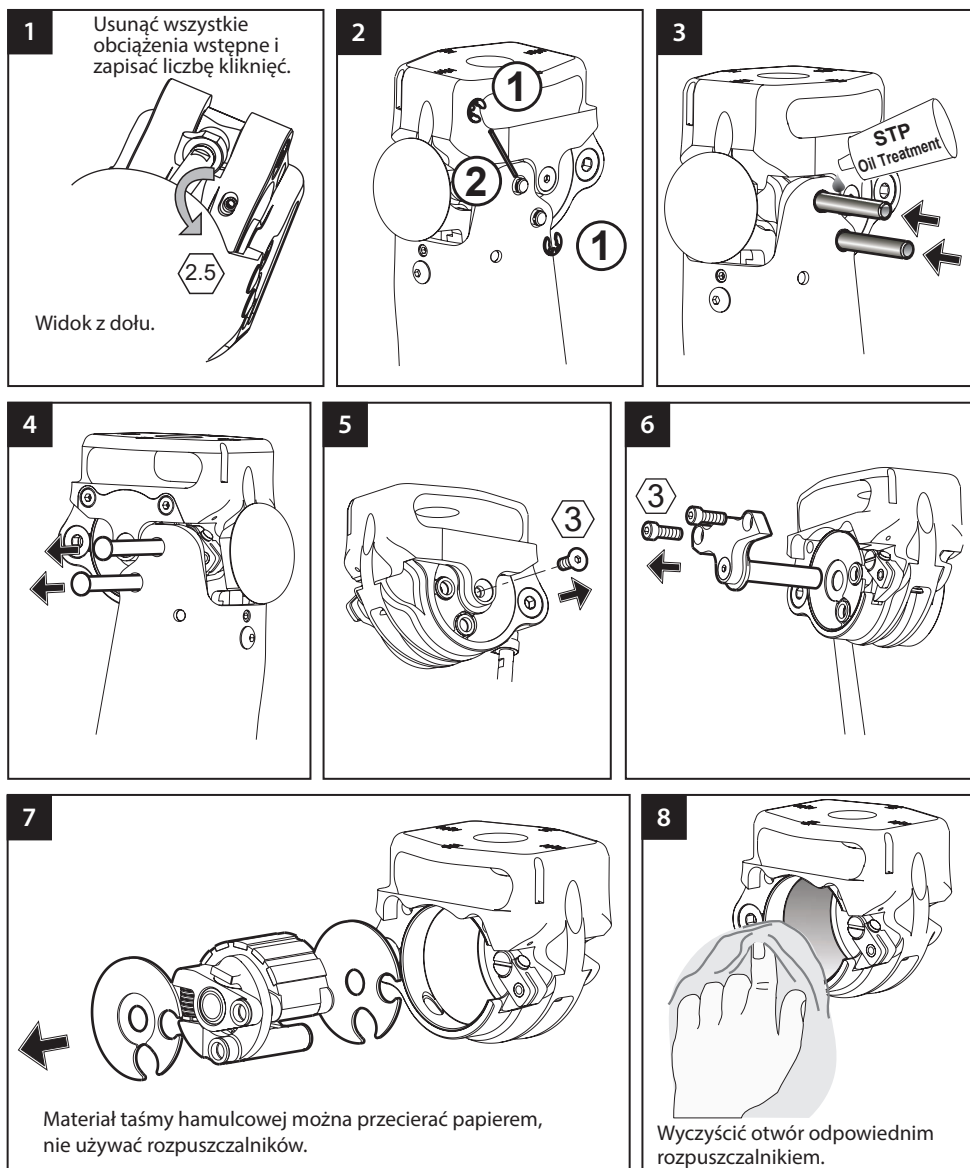
W celu zapewnienia większej przejrzystości elementy rzepki i tulei goleni nie zostały przedstawione.

Informacje na temat regulacji wyrobu przeznaczonego do kontroli fazy wymachu można znaleźć w instrukcji użytkownika PSPC 938057.

# 11 Instrukcje montażu

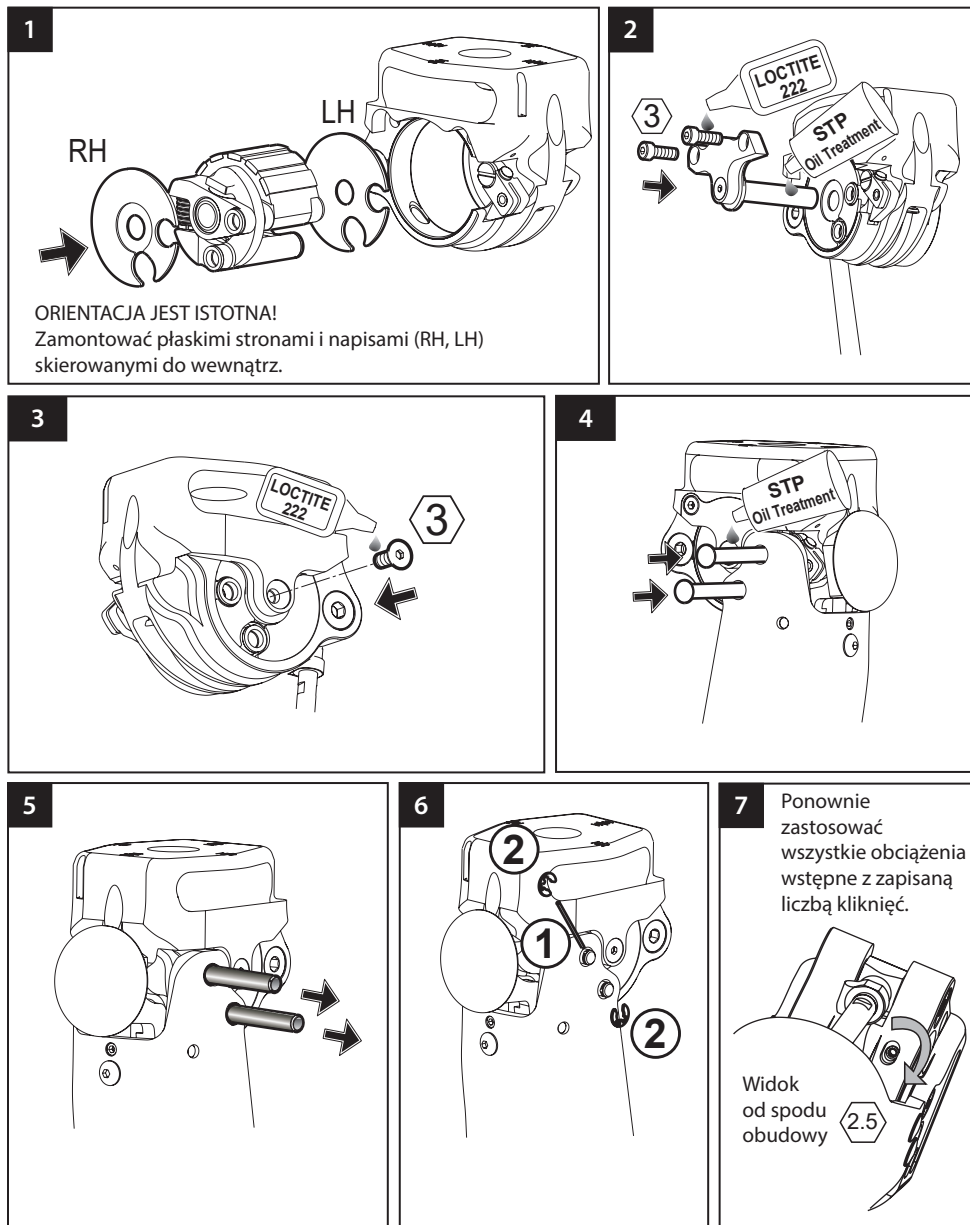
Instrukcje w tej części są przeznaczone wyłącznie dla lekarza.

## 11.1 Wyjmowanie mechanizmu ESK+



## 11.2 Wymiana mechanizmu ESK+

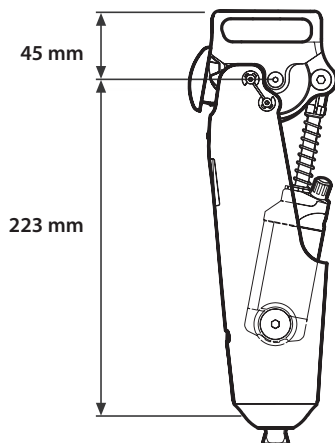
Instrukcje w tej części są przeznaczone wyłącznie dla lekarza.



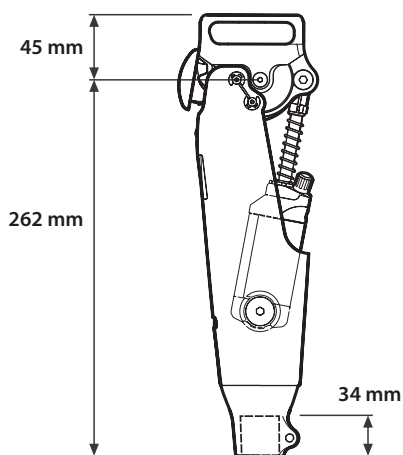
## 12 Specyfikacja techniczna

Zakres temperatur roboczych i przechowywania:	od -15°C do 50°C
Waga wyrobu:	1,2 kg
Poziom aktywności:	1-3
Maksymalna masa ciała użytkownika:	125 kg
Maksymalny kąt zginania:	115°
Proksymalne mocowanie osiujące:	Jedna śruba (Blatchford)
Dystalne mocowanie osiujące:	30 mm, obejmą tulei lub złącze piramidalne męskie (Blatchford)
Wysokość:	Patrz schematy poniżej.

### Długość mocowania



**ESK+ MKL z dystalnym złączem piramidальnym**



**ESK+ MKL z dystalną obejmą tulei o średnicy 30 mm**

# 13 Składanie zamówień

## Przykład zamówienia

	ESK+ z ręczną blokadą kolana									
	Dystalna obejma tulei 30 mm					Piramida dystalna				
Siłownik pneumatyczny	ESK	SB	MKL	P	30	ESK	SB	MKL	P	PYR
	ESK+	Pojedyncza śruba	Ręczna blokada kolana	PSPC	Dystalna obejma tulei 30 mm	ESK+	Pojedyncza śruba	Ręczna blokada kolana	PSPC	Piramida dystalna

## Części zamienne

Element	Nr części
Zespół przegubu kolanowego ESK+ MKL	239440
Zestaw do odciążania uda	239640
Sworzeń do osiowania mechanizmu ESK	234914
Zestaw mechanizmu stabilizującego ESK+	239949

## Zakres odpowiedzialności

Producent zaleca korzystanie z niniejszego wyrobu wyłącznie w określonych warunkach i zgodnie z przeznaczeniem. Niniejszy wyrób należy poddawać konserwacji zgodnie z załączonymi instrukcjami dla użytkownika. Producent nie ponosi odpowiedzialności za jakiegokolwiek negatywny skutki stosowania nieautoryzowanych elementów.

## Deklaracja zgodności WE

Produkt spełnia wymagania Rozporządzenia (UE) 2017/745 dla wyrobów medycznych. Produkt został sklasyfikowany jako wyrób klasy I zgodnie z zasadami klasyfikacji określonymi w załączniku VIII do tego rozporządzenia. Deklaracja zgodności CE została opublikowana na stronie internetowej: [www.blatchford.co.uk](http://www.blatchford.co.uk).



Wyrób medyczny



Do wielokrotnego użycia  
u jednego pacjenta

## Kompatybilność

Kompatybilność z produktami marki Blatchford została potwierdzona na podstawie testów przeprowadzonych zgodnie z odpowiednimi normami i wymaganiami Rozporządzenia w sprawie wyrobów medycznych, w tym testów strukturalnych, zgodności wymiarowej i monitorowanej wydajności w terenie.

Użytkowanie wyrobu w połączeniu z innymi produktami posiadającymi oznakowanie CE należy przetestować z uwzględnieniem udokumentowanej lokalnej oceny ryzyka przeprowadzonej przez lekarza.

## Gwarancja

Niniejszy wyrób objęty jest 24-miesięczną gwarancją; taśma hamulca – 12-miesięczną gwarancją.

Użytkownik powinien mieć świadomość, że zmiany lub modyfikacje, które nie zostały wyraźnie zatwierdzone, mogą spowodować unieważnienie gwarancji, licencji na użytkowanie i wyłączeń.

Aktualną i pełną treść umowy gwarancyjnej opublikowano na stronie internetowej firmy Blatchford.

## Zgłaszanie poważnych incydentów

W mało prawdopodobnym przypadku wystąpienia poważnego incydentu związanego ze stosowaniem tego wyrobu incydent należy zgłosić producentowi i właściwemu organowi krajowemu.

## Aspekty środowiskowe

Ten produkt zawiera olej hydrauliczny, różne rodzaje metali i tworzyw sztucznych. O ile jest to możliwe, komponenty należy poddać recyklingowi zgodnie z lokalnymi przepisami dotyczącymi postępowania z odpadami.

## Zachowanie etykiety z opakowania

Zaleca się, aby lekarz zachował etykietę z opakowania jako potwierdzenie dostarczenia wyrobu.

## Adres siedziby producenta

Blatchford Products Limited, Lister Road, Basingstoke RG22 4AH, Wielka Brytania.

## Potwierdzenia dotyczące znaków towarowych

Blatchford jest zarejestrowanym znakiem towarowym firmy Blatchford Products Limited.



Índice .....	121
1 Descrição e finalidade .....	122
2 Informações de segurança.....	124
3 Componentes.....	125
4 Funcionamento.....	126
5 Manutenção.....	126
6 Limitações à utilização .....	127
7 Alinhamento estático .....	128
8 Recomendações de alinhamento e ajuste da estabilidade .....	129
9 Ajuste do MKL.....	130
9.1 Ajustes adicionais.....	131
10 Ajuste do cabo .....	132
11 Instruções de montagem .....	133
11.1 Retirar o mecanismo ESK+.....	133
11.2 Substituição do mecanismo ESK+ .....	134
12 Dados técnicos.....	135
13 Informações para encomendas.....	136

# 1 Descrição e finalidade

Salvo indicação em contrário, estas instruções de utilização destinam-se ao ortoprotésico e ao utilizador.

Nestas instruções de utilização, o termo “dispositivo” é utilizado em referência aos produtos ESK+ para joelho com bloqueio manual.

Leia e certifique-se de que compreende todas as instruções de utilização, com particular destaque para todas as informações de segurança e instruções de manutenção.

## Aplicação

Este dispositivo destina-se a ser utilizado exclusivamente como parte de uma prótese de membro inferior.

Este dispositivo destina-se a ser utilizado por um único utilizador.

Este dispositivo é um joelho protético que fornece uma estrutura uniaxial para um joelho com estabilização ativada pelo peso que proporciona apoio à prótese em várias cadências, em diversos tipos de terreno e destina-se a melhorar a segurança e a reduzir a compensação. Está disponível com uma unidade PSPC (controlo pneumático da fase de balanço) fixa.

O dispositivo está equipado com um joelho com bloqueio manual que pode ser ativado em situações que exigem uma segurança acrescida.

## Características

	PSPC de ajuste manual	Bloqueio manual do joelho ativado
Flexão no apoio limitada durante a carga	✓	
Estrutura resistente de fibra de carbono	✓	✓
Flexão de 115 graus do joelho	✓	
Sensibilidade ajustável da estabilidade do joelho	✓	
Controlos do balanço independentes, com ajuste manual, para flexão e extensão	✓	
Joelho bloqueado para um apoio do peso prolongado e segurança adicional		✓

## Nível de atividade

Este dispositivo é ideal para utilizadores com um nível de atividade 2 que podem beneficiar do MKL em situações que exijam uma maior segurança (aplicam-se limites de peso, consulte *Dados técnicos*).

Além disso, os utilizadores com os níveis de atividade 1 e 3 podem também beneficiar do MKL em situações semelhantes. No entanto, esta decisão deve ser tomada de forma ponderada e com base em informação detalhada.

### Nível de atividade 1

Possui a capacidade ou o potencial de utilizar uma prótese para as transferências ou deambulação em superfícies niveladas, com uma cadência fixa. Típico do deambulador doméstico com ou sem limitações.

### Nível de atividade 2

Tem a capacidade ou o potencial de deambulação, sendo capaz de ultrapassar barreiras ambientais de nível baixo como, por exemplo, bermas, escadas, ou superfícies irregulares. Típico do deambulador comunitário com limitações.

### Nível de atividade 3

Possui a capacidade ou o potencial de deambular com uma cadência variável. Típico do deambulador comunitário capaz de ultrapassar a maioria das barreiras ambientais e que, possivelmente, tem uma atividade profissional, terapêutica ou desportiva que exige a utilização de prótese para outras finalidades além da simples locomoção.

Este dispositivo não é indicado para utilização em eventos de competição desportiva. Estes tipos de utilizadores beneficiam mais de uma prótese concebida especialmente e otimizada em função das suas necessidades.

## Benefícios clínicos

- O controlo no apoio ativado pelo peso e o controlo ajustável do balanço proporcionam uma marcha suave e segura com um joelho sem bloqueio.
- O bloqueio manual permite ao utilizador bloquear o joelho para uma maior segurança, quando necessário

## Contraindicações

Este dispositivo não é adequado para:

- Utilizadores com fraqueza muscular extrema, contracturas que não possam ser corretamente acomodadas ou disfunção proprioceptiva, incluindo problemas de equilíbrio.
- Utilizadores com instabilidades ou patologia de articulação contralateral.
- Utilizadores com doenças complicadas que impliquem múltiplas incapacidades.
- Utilizadores, incluindo amputados com próteses transfemorais bilaterais, que necessitam de uma função de cedência do joelho para descer escadas ou para se sentarem. Isto pode resultar em danos do mecanismo do travão que podem prejudicar a estabilidade e durabilidade.
- Os utilizadores com fraca motricidade da mão podem sentir dificuldade em operar o bloqueio manual do joelho.



**Os utilizadores têm de receber treino de marcha antes de utilizarem este dispositivo.**



**Certifique-se de que o utilizador compreendeu todas as instruções de utilização, com particular destaque para as secções de manutenção e informações de segurança.**

## 2 Informações de segurança



**Este símbolo de aviso destaca informações de segurança importantes.**



**Esteja sempre atento para não ficar com os dedos presos.**



**Quaisquer alterações no desempenho ou funcionamento da prótese (por exemplo, instabilidade, dupla ação, movimento limitado, rigidez no movimento ou ruídos estranhos) devem ser comunicadas de imediato ao fornecedor.**



**Utilize sempre os corrimões, se existentes, seja para descer escadas ou em qualquer outra situação.**



**Quaisquer alterações significativas na altura do calcanhar após a conclusão do alinhamento podem prejudicar o funcionamento da prótese.**



**O utilizador apenas deve conduzir veículos devidamente adaptados. A utilização de veículos motorizados requer que os condutores respeitem a legislação em matéria de circulação rodoviária.**



**Deve ter cuidado ao transportar cargas pesadas porque isso pode prejudicar a estabilidade do dispositivo.**



**O utilizador deve ser aconselhado a contactar o ortoprotésico caso haja alguma alteração na sua situação.**



**Evite a exposição a condições extremas de calor/frio.**



**As operações de montagem, manutenção e reparação do dispositivo só devem ser levadas a cabo por um profissional de saúde devidamente qualificado.**

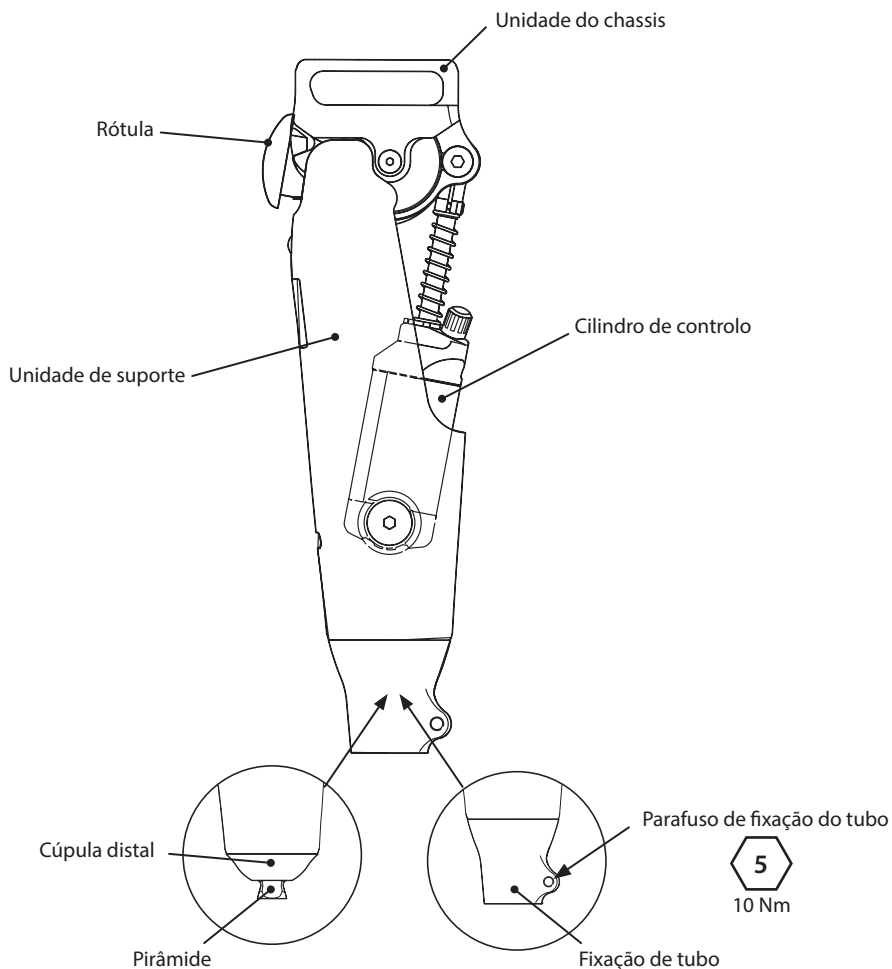


**O dispositivo não se destina a ser utilizado dentro de água nem como prótese para o duche. Se a prótese entrar em contacto com a água, seque-a de imediato.**

### 3 Componentes

#### Peças principais

- Unidade de suporte Composto de fibra de carbono e aço inoxidável
- Unidade do chassis Liga de alumínio, aço inoxidável, termoplástico de engenharia, material de fricção reforçado com fibra (sem amianto).
- Cilindro de controlo Liga de alumínio, aço inoxidável, titânio, termoplástico de engenharia
- Cúpula distal Liga de alumínio
- Pirâmide distal Titânio com parafuso de aço inoxidável
- Fixação de tubo distal Liga de alumínio
- Rótula Termoplástico de engenharia



---

## 4 Funcionamento

O dispositivo possui um design uniaxial composto por um pivô do joelho que liga um chassi a uma unidade de suporte. O chassi inclui no seu interior um mecanismo de estabilização do joelho ativado pelo peso. O mecanismo de estabilização possui uma ação resiliente que proporciona uma flexão no apoio limitada sob carga para absorver as cargas de choque no toque do calcanhar.

O dispositivo inclui um joelho com mecanismo de bloqueio manual que, quando operado pelo utilizador, é automaticamente ativado a quando da extensão total do joelho e evita a flexão do joelho independentemente do peso corporal aplicado.

Quando desativado, o joelho volta à estabilização ativada pelo peso.

Um cilindro de controlo pneumático assenta na unidade de suporte, colocado entre o pivô posterior do chassi e o pivô distal do suporte.

O cilindro possui válvulas de ajuste manual que proporcionam um controlo independente da resistência à flexão e à extensão durante a fase de balanço.

---

## 5 Manutenção

Inspeccione visualmente o dispositivo com regularidade.

Comunique quaisquer alterações no desempenho deste dispositivo ao ortoprotésico/fornecedor como, por exemplo, ruídos estranhos, maior rigidez ou rotação limitada/excessiva, desgaste significativo ou descoloração excessiva devido à exposição de longa duração aos raios UV.

Informe o ortoprotésico/fornecedor de quaisquer alterações no peso corporal e/ou nível de atividade.

### Limpeza

Utilize um pano húmido e sabão suave para limpar as superfícies exteriores. NÃO utilize produtos de limpeza agressivos.

***As restantes instruções nesta secção destinam-se apenas ao ortoprotésico.***

Esta manutenção deve ser realizada apenas por técnicos qualificados (ortoprotésico ou técnico com formação adequada).

Com vista a manter um desempenho otimizado, é recomendado efetuar uma inspeção periódica para detetar ruídos anormais, folga e verificar a estabilidade. O tempo entre inspeções é determinado por fatores como a atividade do utilizador, a frequência da utilização e a definição de estabilidade do joelho.

Para referência, se a definição for de 6 ou mais cliques e o utilizador der, em média, 600 000 passos por ano, recomenda-se a realização de uma inspeção anual.

Recomendamos que o joelho seja ajustado aos requisitos de estabilidade do indivíduo para assegurar uma estabilidade e durabilidade otimizadas. Consulte o guia de ajuste/diagrama de fluxo.

Recomenda-se a utilização de um sistema de monitorização da atividade da prótese para determinar o número de passos.

Durante estas inspeções:

- Inspeccione visualmente para verificar se existem defeitos que possam afetar o funcionamento correto.
- Verifique o estado do cabo de libertação da coxa e se este funciona corretamente.
- Desmonte, limpe e volte a montar o mecanismo do joelho.

Aconselhe o utilizador a efetuar regularmente uma inspeção visual do dispositivo. Quaisquer alterações no desempenho deste dispositivo devem ser reportadas ao ortoprotésico. As mudanças no desempenho podem incluir: aumento ou diminuição na rigidez do joelho, instabilidade, apoio reduzido no joelho (liberdade de movimento), qualquer ruído estranho.

### **Armazenamento e manuseamento**

Ao armazenar o produto durante longos períodos, este deve ser mantido num local seco, com uma temperatura entre -15 °C e 50 °C.

Utilize a embalagem fornecida com o produto.

---

## **6 Limitações à utilização**

### **Vida útil prevista:**

Deve ser efetuada uma avaliação de riscos local com base na atividade e utilização.

### **Levantamento de pesos**

O peso e a atividade do utilizador estão condicionados aos limites indicados.

O peso que o utilizador pode transportar deve basear-se numa avaliação de riscos local.

### **Ambiente**

Evite expor o dispositivo a elementos corrosivos como água, ácidos e outros líquidos. Além disso, evite ambientes abrasivos como, por exemplo, locais com areia, uma vez que estes podem causar um desgaste prematuro.

Utilizar apenas entre -15 °C e 50 °C.



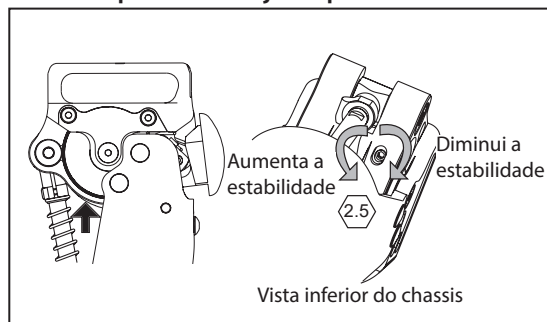
Indicado para utilização no exterior

## 7 Alinhamento estático

As instruções nesta secção destinam-se apenas ao ortoprotésico.

### Testes ao caminhar

#### Dispositivo de ajuste por mola



Efetue a flexão total da prótese para aceder ao dispositivo de ajuste.

Rode o DISPOSITIVO DE AJUSTE POR MOLA para alcançar a estabilidade adequada ao utilizador.

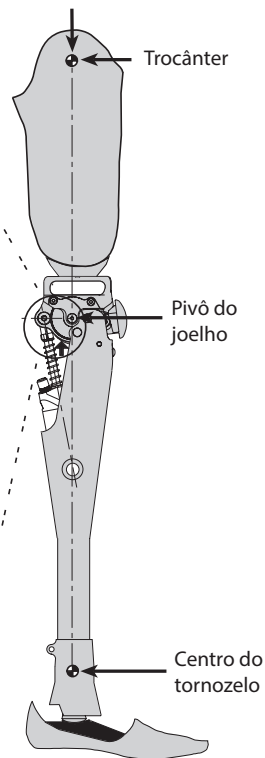
Nota... Ao ajustar, irá ouvir alguns cliques; o dispositivo de ajuste bloqueia automaticamente.

Aperte o dispositivo de AJUSTE POR MOLA para reduzir a estabilidade.

Liberte o dispositivo de AJUSTE POR MOLA para aumentar a estabilidade (ver acima).

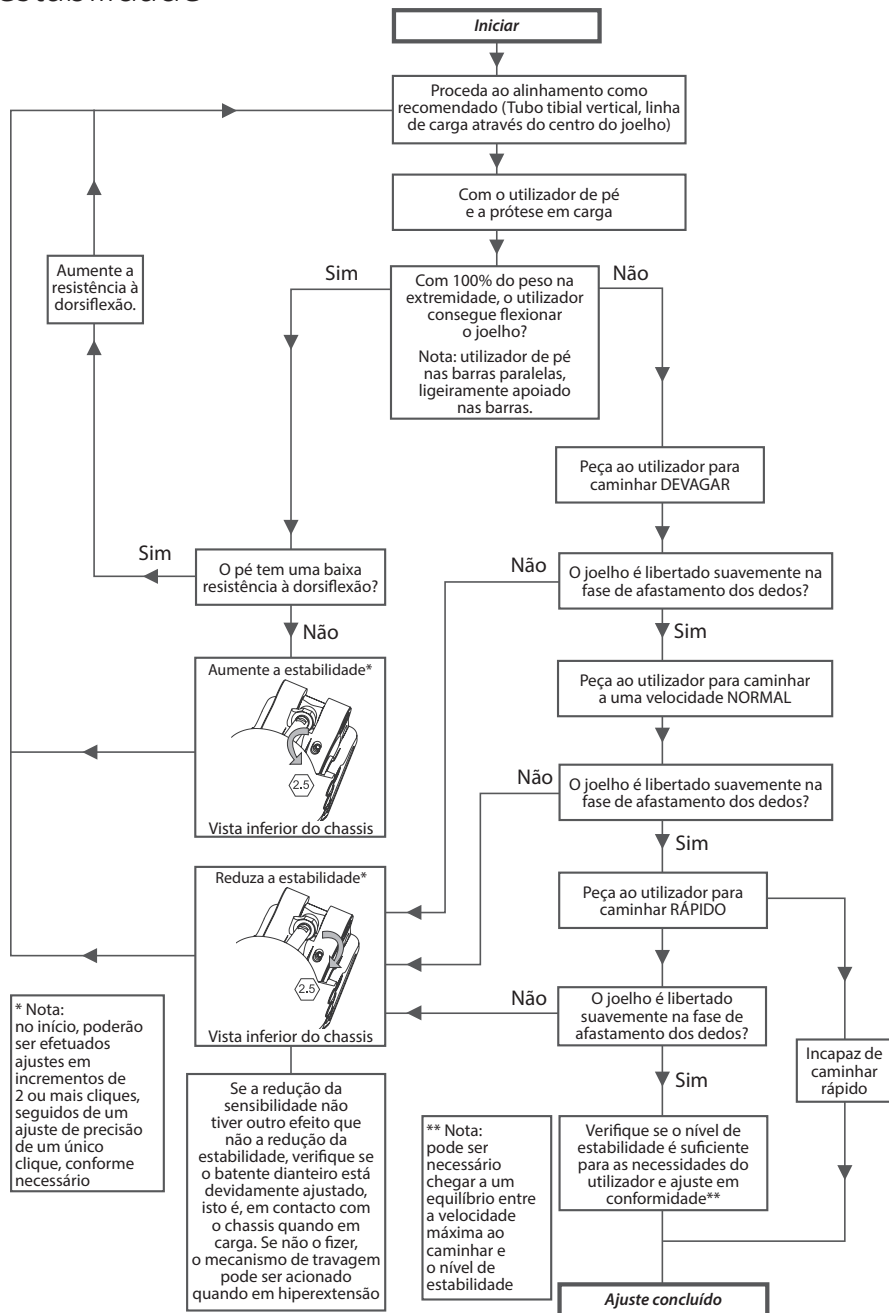
Se necessário, pode reverter todas as definições do dispositivo de ajuste para as predefinições de fábrica. Para o efeito, reduza a estabilidade até ouvir seis cliques a partir da definição máxima de estabilidade.

Linha de construção





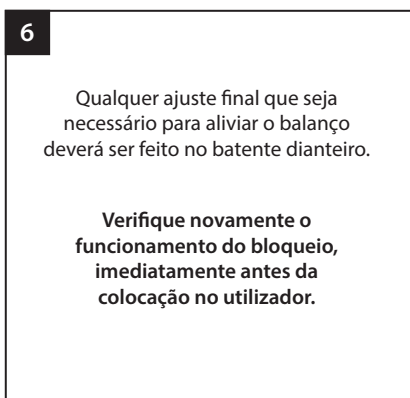
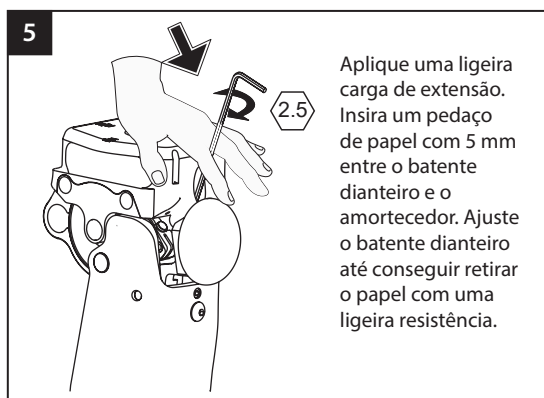
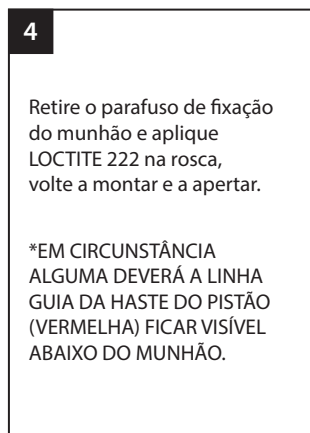
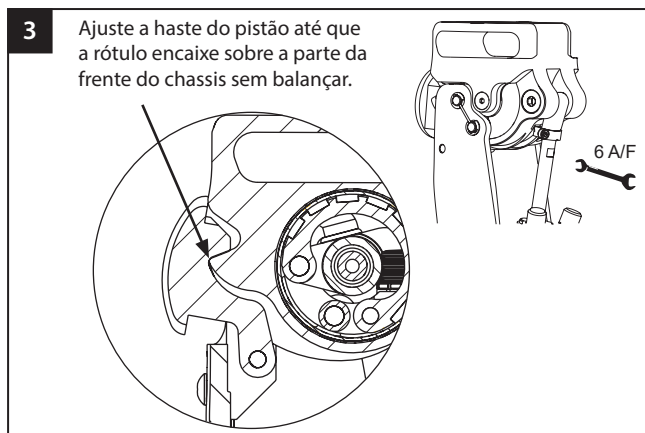
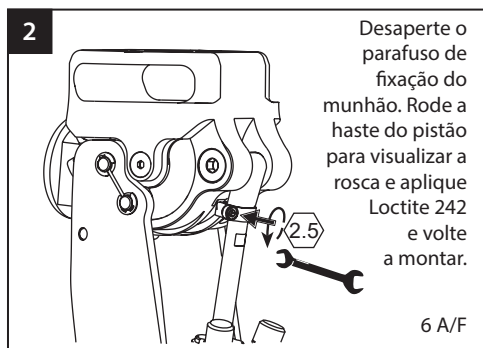
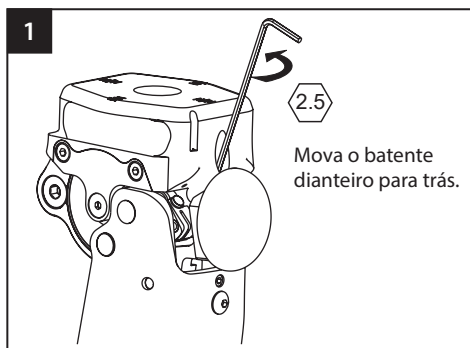
## 8 Recomendações de alinhamento e ajuste da estabilidade *As instruções nesta secção destinam-se apenas ao ortoprotésico.*



## 9 Ajuste do MKL

As instruções nesta secção destinam-se apenas ao ortoprotésico.

(Estes ajustes são efetuados de fábrica; no entanto, se no futuro for necessário efetuar um ajuste, deve seguir estes passos.)



## 9.1 Ajustes adicionais

*As instruções nesta secção destinam-se apenas ao ortoprotésico.*

Sintoma	Solução
O joelho não estabiliza	Aumente a sensibilidade
	Desloque o encaixe para a frente
	Substitua o mecanismo de estabilização se o bordo de fuga do travão estiver danificado
O joelho não se liberta	Diminua a sensibilidade
	Verifique o ajuste do batente dianteiro
	Desloque o encaixe para trás
O bloqueio do joelho não é ativado	Verifique se o mecanismo de bloqueio não está limitado/impedido pela cobertura cosmética (se colocada)
Folga/balanço no bloqueio do joelho	Verifique o ajuste da haste do pistão
A elevação do calcanhar é demasiado elevada durante a fase de balanço	Consulte as instruções de utilização do cilindro de controlo
A elevação do calcanhar é demasiado baixa durante a fase de balanço	Consulte as instruções de utilização do cilindro de controlo
O utilizador sente um impacto terminal	Consulte as instruções de utilização do cilindro de controlo
A extensão do dispositivo não é totalmente conseguida durante a fase de balanço	Consulte as instruções de utilização do cilindro de controlo

Se depois de seguir estas instruções ainda tiver problemas com o funcionamento, contacte a equipa comercial da sua área para obter aconselhamento.

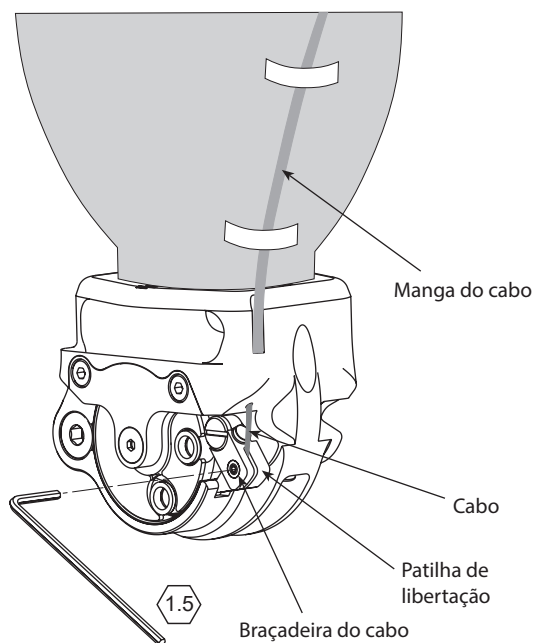
## 10 Ajuste do cabo

Utilizar o kit de libertação da coxa (239640) - disponível em separado.

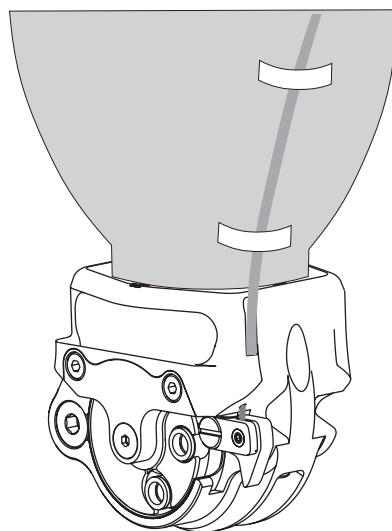
**As instruções nesta secção destinam-se apenas ao ortoprotésico.**

1. Encoste o cabo ao encaixe e localize a manga no alargador interior em frente do chassis (tenha em consideração mudanças no alinhamento).
2. Passar o cabo interior através do orifício no chassis.
3. Passe o cabo pela braçadeira do cabo e fixe a braçadeira na extremidade do cabo com cobertura de metal.
4. Ao ajustar o cabo no sistema de libertação da coxa, certifique-se de que a patilha de libertação cria resistência na rótula para desbloquear o joelho conforme necessário.
5. Consulte as instruções de ajuste fornecidas com o Kit de libertação da anca.

**Joelho bloqueado**



**Joelho desbloqueado**



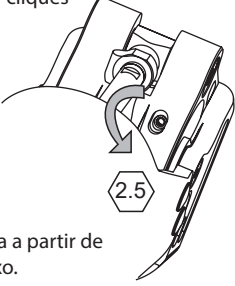
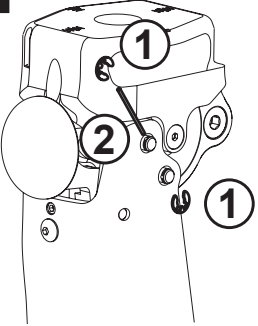
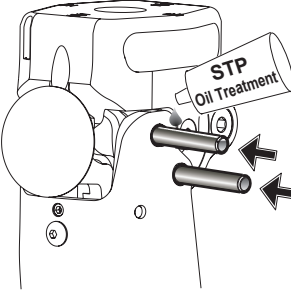
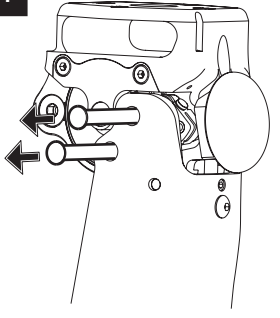
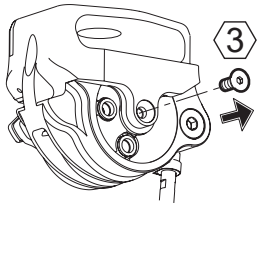
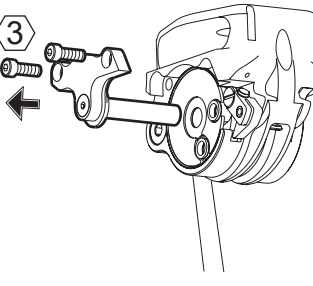
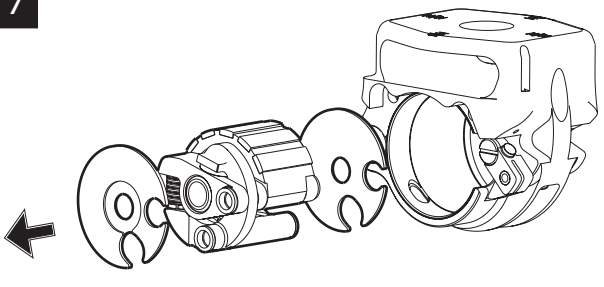
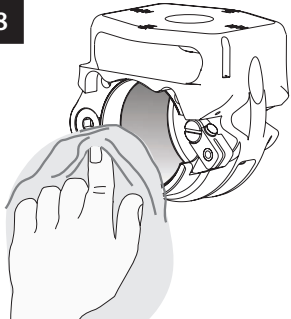
Rótula e componentes do tubo tibial não apresentados para maior clareza de imagem.

Para ajustar o dispositivo de controlo do balanço consulte as instruções de utilização do PSPC 938057.

# 11 Instruções de montagem

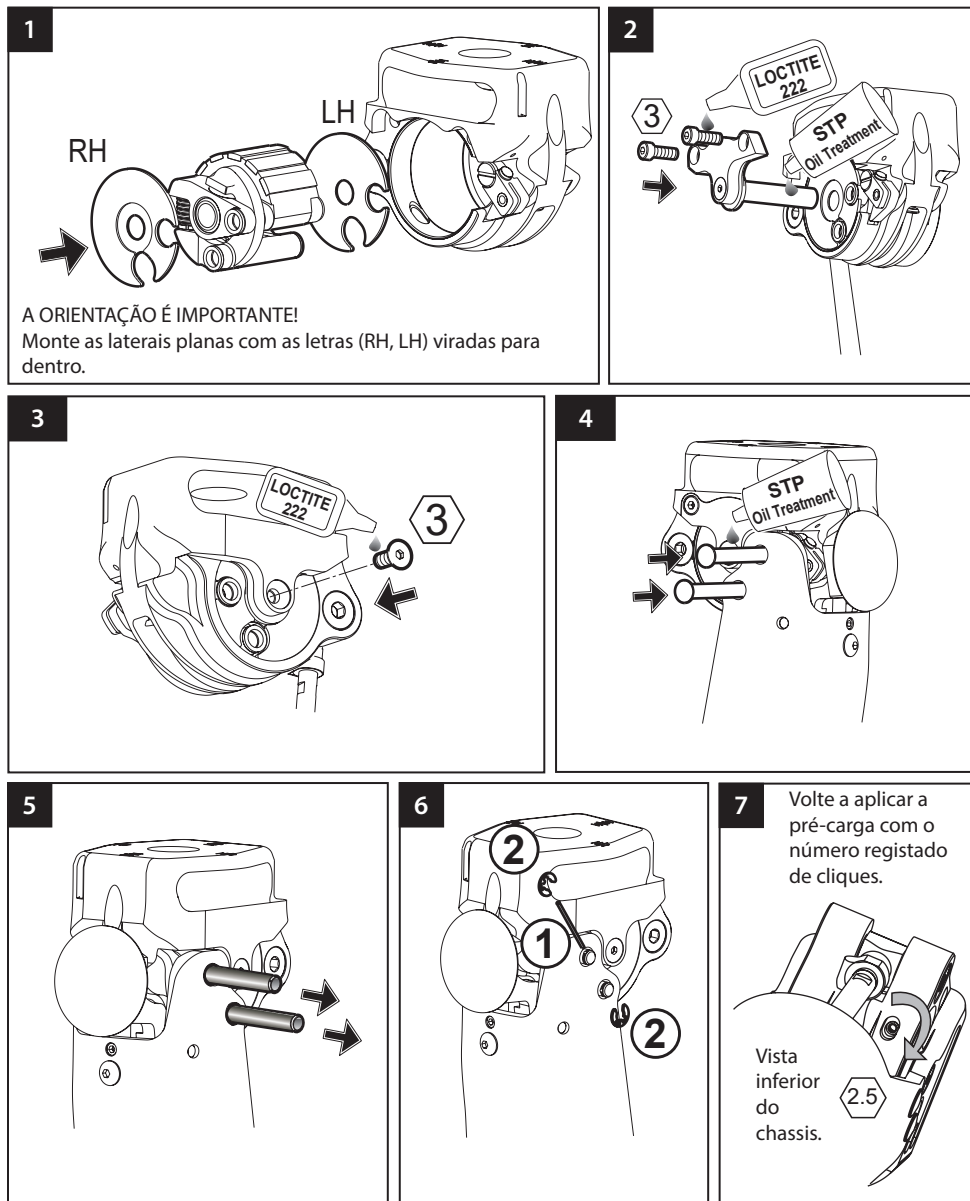
As instruções nesta secção destinam-se apenas ao ortoprotésico.

## 11.1 Retirar o mecanismo ESK+

<p><b>1</b> Retire toda a pré-carga e registre o número de cliques</p>  <p>Vista a partir de baixo.</p>	<p><b>2</b></p> 	<p><b>3</b></p> 
<p><b>4</b></p> 	<p><b>5</b></p> 	<p><b>6</b></p> 
<p><b>7</b></p>  <p>O material da correia do travão pode ser limpo com papel; não utilize soluções de limpeza.</p>		<p><b>8</b></p>  <p>Limpe o orifício com uma solução adequada.</p>

## 11.2 Substituição do mecanismo ESK+

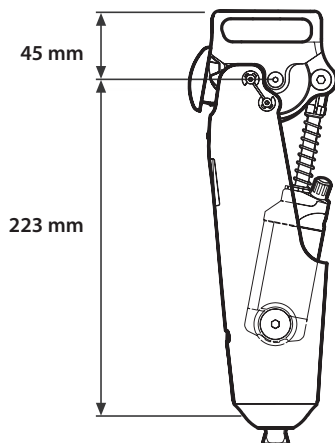
As instruções nesta secção destinam-se apenas ao ortoprotésico.



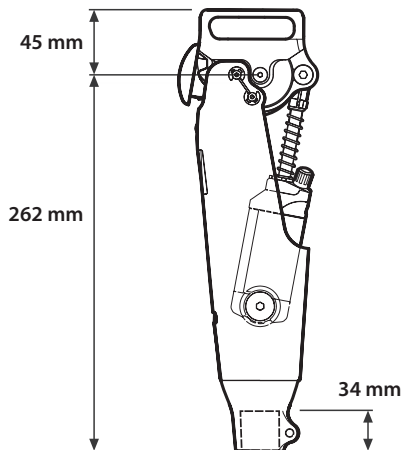
## 12 Dados técnicos

Intervalo de temperatura de funcionamento e armazenamento:	-15 °C a 50 °C
Peso do componente:	1,2 kg
Nível de atividade:	1–3
Peso máximo do utilizador:	125 kg
Ângulo de flexão máxima:	115°
Encaixe de alinhamento proximal:	Parafuso único (Blatchford)
Encaixe de alinhamento distal:	Fixação de tubo 30 mm ou pirâmide macho (Blatchford)
Altura de construção:	Ver diagramas abaixo.

### Comprimento de ajuste



ESK+ MKL com pirâmide distal



ESK+ MKL com fixação de tubo distal 30 mm

# 13 Informações para encomendas

## Exemplo de encomenda

	ESK+ com bloqueio manual do joelho									
	Fixação de tubo distal 30 mm					Pirâmide distal				
<b>Cilindro pneumático</b>	<b>ESK</b>	<b>SB</b>	<b>MKL</b>	<b>P</b>	<b>30</b>	<b>ESK</b>	<b>SB</b>	<b>MKL</b>	<b>P</b>	<b>PYR</b>
	ESK+	Parafuso único	Bloqueio manual do joelho	PSPC	Fixação de tubo distal 30 mm	ESK+	Parafuso único	Bloqueio manual do joelho	PSPC	Pirâmide distal

## Peças sobressalentes

Item	Peça N.º
Unidade de joelho ESK+ MKL	239440
Kit de libertação da coxa	239640
Pino de alinhamento do mecanismo ESK	234914
Kit de mecanismo de estabilização ESK+	239949



## Responsabilidade

O fabricante recomenda utilizar o dispositivo apenas nas condições especificadas e para os fins previstos. A manutenção do dispositivo deve ser efetuada de acordo com as instruções de utilização fornecidas com o dispositivo. O fabricante não é responsável por quaisquer acontecimentos adversos que decorram da combinação de componentes não autorizados pelo mesmo.

## Conformidade CE

Este produto cumpre os requisitos do Regulamento (UE) 2017/745 relativo aos dispositivos médicos. Este produto foi classificado como um dispositivo da classe I, de acordo com as regras de classificação estipuladas no anexo VIII do referido regulamento. O certificado da declaração de conformidade UE está disponível no seguinte endereço de Internet: [www.blatchford.co.uk](http://www.blatchford.co.uk).



Dispositivo médico



Um doente – utilização múltipla

## Compatibilidade

A combinação com produtos da marca Blatchford está autorizada, desde que o produto da outra marca tenha sido testado em conformidade com as normas aplicáveis e o regulamento relativo a dispositivos médicos, nomeadamente o teste estrutural, a compatibilidade dimensional e o desempenho em campo controlado.

A combinação com outros produtos com a marcação CE apenas é permitida após a realização de uma avaliação de riscos local documentada por um ortoprotésico.

## Garantia

O presente dispositivo possui uma garantia de 24 meses e a correia do travão possui uma garantia de 12 meses.

O utilizador deve estar informado de que as alterações ou modificações que não sejam expressamente autorizadas irão anular a garantia, as licenças de utilização e as isenções.

Consulte o website da Blatchford para aceder à versão integral da declaração de garantia em vigor.

## Comunicação de incidentes graves

No caso improvável de ocorrer um incidente grave com este dispositivo, contacte o fabricante e a sua autoridade nacional competente.

## Aspetos ambientais

Este produto contém óleo hidráulico, mistura de metais e plásticos. Quando possível, os componentes devem ser reciclados de acordo com os regulamentos locais de manuseamento de resíduos.

## Conservação do rótulo da embalagem

O ortoprotésico deverá guardar o rótulo da embalagem do dispositivo para efeitos de registo do dispositivo fornecido.

## Sede social do fabricante

Blatchford Products Limited, Lister Road, Basingstoke RG22 4AH, RU.

## Declaração de marcas comerciais

Blatchford é uma marca registada da Blatchford Products Limited.

Obsah .....	138
1 Popis a zamýšlený účel.....	139
2 Bezpečnostní informace .....	141
3 Konstrukce.....	142
4 Funkce .....	143
5 Údržba .....	143
6 Omezení použití .....	144
7 Statické vyrovnání.....	145
8 Pokyny k vyrovnání a seřízení stability .....	146
9 Seřízení MKL.....	147
9.1 Další seřízení .....	148
10 Nasazení lanka.....	149
11 Pokyny k sestavení.....	150
11.1 Odstranění mechanismu ESK+.....	150
11.2 Výměna mechanismu ESK+.....	151
12 Technické údaje .....	152
13 Informace pro objednávání.....	153

# 1 Popis a zamýšlený účel

Není-li uvedeno jinak, tento návod k použití je určen pro protetiky a uživatele.

Výraz prostředek, který se používá v těchto pokynech, označuje produkty manuálního kolene ESK+.

Pročtete si prosím veškeré pokyny a ujistěte se, že jim rozumíte, zejména všechny bezpečnostní informace a pokyny pro údržbu.

## Použití

Tento prostředek je určen k použití výhradně jako součást protězy dolních končetin.

Tento prostředek je určen pro jednoho uživatele.

Tento prostředek je kolenní jednotka, která poskytuje jednoosý rám pro váhou aktivované stabilizované koleno, které poskytuje podporu protěze při chůzi s různou kadencí po rozmanitém terénu a je určeno ke zlepšení bezpečnosti a snížení kompenzace. Je k dispozici s pevně nastavenou jednotkou PSPC (Pneumatic Swing Phase Control).

Prostředek je vybaven ručně ovládaným kolenním zámkem, který lze aktivovat v situacích, kdy je zapotřebí větší bezpečnost.

## Vlastnosti

	Ručně seřizovaný systém PSPC	Manuální zámek kolena zajištěn
Omezená flexe ve fázi postoje během přenášení hmotnosti	✓	
Robustní rám z uhlíkových vláken	✓	✓
Ohyb kolena 115°	✓	
Nastavitelná citlivost stability kolena	✓	
Nezávisle manuálně nastavitelné odpory při kmitu pro flexi a extenzi	✓	
Uzamčené koleno pro dlouhodobé zatížení a vyšší bezpečnost		✓

## Stupeň aktivity

Tento prostředek je ideální pro uživatele se stupněm aktivity 2, kteří mohou využívat MKL v situacích, kde je vyžadováno větší zabezpečení (platí osm limitů, viz *Technické údaje*).

Navíc někteří uživatelé se stupněm aktivity 1 a 3 mohou mít v podobných situacích z MKL prospěch. Avšak takové rozhodnutí musí být učiněno na základě řádného a důkladného zdůvodnění.

### Stupeň aktivity 1

Schopnost nebo předpoklady používat protézu pro přesuny nebo pohyb na rovných površích při konstantní rychlosti chůze. Typické pro limitovaný a nelimitovaný interiérový typ uživatele.

### Stupeň aktivity 2

Schopnost nebo předpoklady pro chůzi se schopností překonávat malé přírodní nerovnosti a překážky, jako jsou obrubníky, schody nebo nerovné povrchy. Typické pro limitovaný exteriérový typ uživatele.

### Stupeň aktivity 3

Schopnost nebo předpoklady pro pohyb s různou rychlostí chůze. Typické pro nelimitovaný typ exteriérového uživatele, který má schopnost překonat většinu přírodních nerovností a může mít odbornou, terapeutickou nebo cvičební aktivitu, která vyžaduje protetické využití nad rámec jednoduché lokomoce.

Tento prostředek není vhodný pro použití při soutěžních sportovních akcích. Těmto typům uživatelů může lépe sloužit speciálně navržená protéza, která je optimalizovaná pro jejich potřeby.

## Klinické přínosy

- Ovládání postoje aktivované váhou a nastavitelné ovládání kmitu zajišťují hladkou a bezpečnou chůzi s volným kolenem.
- Ručně ovládaný zámek umožňuje pacientovi v případě potřeby uzamknout koleno z důvodu větší bezpečnosti.

## Kontraindikace

Tento prostředek není vhodný pro:

- Uživatelé s extrémní svalovou slabostí, kontrakturami, které nelze správně přizpůsobit, nebo proprioceptivní dysfunkcí včetně špatné rovnováhy.
- Uživatelé s kontralaterální nestabilitou kloubů nebo patologií.
- Uživatelé s komplikovaným zdravotním stavem včetně vícečetného postižení.
- Uživatelé, včetně osob s oboustrannou transfemorální amputací, kteří vyžadují funkci výnosu od kolena k sestupu po schodech nebo k sezení. Může to mít za následek poškození brzdového mechanismu a nepříznivě ovlivnit stabilitu a životnost.
- Uživatelé se špatnou funkcí rukou mohou mít potíže s ovládaním manuálního kolenního zámku.



**Uživatelé musí být před použitím tohoto prostředku proškoleni v chůzi.**



**Ujistěte se, že uživatel rozumí všem pokynům k použití, a zvláštní pozornost věnujte částem o údržbě a bezpečnostním informacím.**

## 2 Bezpečnostní informace



**Tento varovný symbol zdůrazňuje důležité bezpečnostní informace.**



Neustále mějte na paměti nebezpečí zachycení prstů.



Jakékoli změny ve výkonu nebo funkci končetiny, např. nestabilita, dvojitý účinek, omezený pohyb, neplynulý pohyb nebo neobvyklé zvuky, by měly být okamžitě nahlášeny poskytovateli protetických služeb.



Při chůzi ze schodů a vždy, když je k dispozici, používejte zábradlí.



Jakékoli nadměrné změny výšky paty po dokončení vyrovnání mohou nepříznivě ovlivnit funkci končetin.



Při řízení se ujistěte, že jsou používána pouze vhodně dovybavená vozidla. Při řízení motorových vozidel jsou všechny osoby povinny dodržovat příslušné zákony.



Při nošení těžkých břemen buďte opatrní, protože by to mohlo nepříznivě ovlivnit stabilitu prostředku.



Uživateli by mělo být doporučeno, aby v případě změny stavu kontaktoval svého protetik.



Chraňte před extrémním teplem a/nebo chladem.



Sestavení, údržbu a opravy prostředku smí provádět pouze kvalifikovaný protetik.

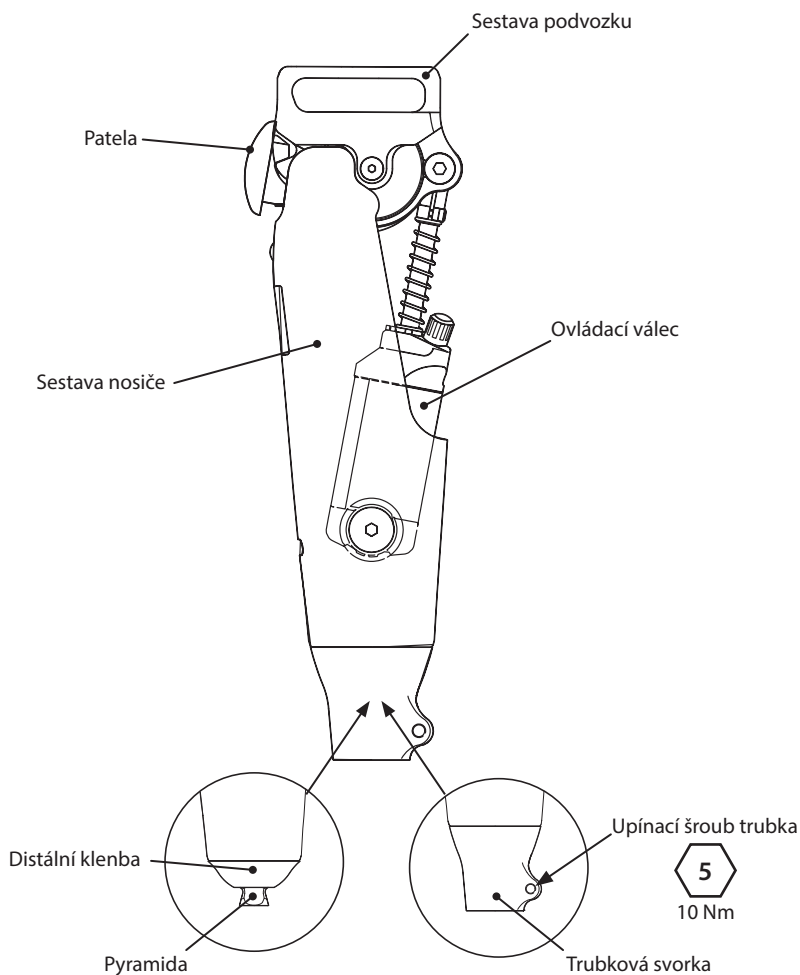


Prostředek není určen pro použití ve vodě nebo jako sprchovací protéza. Pokud končetina přijde do styku s vodou, ihned ji otřete do sucha.

### 3 Konstrukce

#### Hlavní části

- Sestava nosiče Kompozit z uhlíkových vláken a nerezová ocel
- Sestava podvozku Hliníková slitina, nerezová ocel, technický termoplast, třecí materiál vyztužený vlákny (bez azbestu).
- Ovládací válec Slitina hliníku, nerezová ocel, titan, technický termoplast
- Distální klenba Hliníková slitina
- Distální pyramida Titan se šroubem z nerezové oceli
- Distální trubková svorka Hliníková slitina
- Patela Technický termoplast



---

## 4 Funkce

Prostředek má jednoosou konstrukci a obsahuje kolenní čep spojující podvozek s nosičem. V podvozku je umístěn stabilizační kolenní mechanismus aktivovaný vahou. Stabilizační mechanismus má pružnou funkci, která poskytuje omezenou flexi ve fázi postoje při zatížení, aby absorbovala rázová zatížení při dopadu paty.

Tento prostředek obsahuje ručně ovládaný mechanismus zámku kolena, který se po aktivaci uživatelem automaticky zapojí při plné extenzi kolena a zabrání jakémukoli dalšímu ohnutí kolena bez ohledu na působící hmotnost těla.

Po deaktivaci se koleno vrátí ke stabilizaci aktivované vahou.

V této sestavě rámu je umístěno hydraulické ovládání kolena, namontované mezi zadním čepem podvozku a zadním čepem nosiče.

Válec má ručně nastavitelné ventily, které poskytují nezávislou kontrolu odporu při flexi a extenzi během fáze kmitu.

---

## 5 Údržba

Prostředek pravidelně vizuálně kontrolujte.

Jakékoli změny ve výkonu tohoto prostředku nahláste protetikovi / poskytovateli protetických služeb, např. neobvyklé zvuky, zvýšená tuhost, omezené/nadměrné otáčení, výrazné opotřebení nebo nadměrné vyblednutí po dlouhodobé expozici UV záření.

Protetika / poskytovatele protetických služeb informujte o všech změnách tělesné hmotnosti a/nebo úrovně aktivity.

### Čištění

K čištění vnějších povrchů použijte vlhký hadřík a jemné mýdlo. **NEPOUŽÍVEJTE** agresivní čisticí prostředky.

**Zbývající pokyny v této části jsou určeny pouze pro protetiky.**

Tuto údržbu smí provádět pouze kvalifikovaný personál (protetik nebo vhodný vyškolený technik).

Pro udržení optimálního výkonu se doporučuje periodická kontrola nepřijatelného hluku, vůle a stability. Doba mezi kontrolami je určována faktory, jako je aktivita uživatele, frekvence používání a nastavení stability kolena.

Jako vodítko platí, že pokud je nastavení 6 cvaknutí nebo vyšší a uživatel ujde průměrně 600 000 kroků ročně, doporučuje se roční kontrola.

Doporučujeme přizpůsobit koleno požadavkům na stabilitu jednotlivců, aby byla zajištěna optimální stabilita a odolnost. Viz průvodce nastavením / vývojový diagram.

K určení počtu kroků se doporučuje použít Limb Activity Monitor (Monitor aktivity končetin).

Při těchto kontrolách:

- Zkontrolujte vizuální vady, které by mohly mít vliv na správnou funkci.
- Zkontrolujte stav a uspokojivou funkci lanka pro uvolnění stehen.
- Demontujte, vyčistěte a znovu namontujte kolenní mechanismus.

Poradte uživateli, že se doporučuje pravidelná vizuální kontrola prostředku a jakékoli změny jeho výkonu musí být nahlášeny protetikovi. Změny ve výkonu zahrnují: zvýšení nebo snížení tuhosti kolena, nestabilitu, sníženou podporu kolena (volný pohyb) či neobvyklý hluk.

### **Skladování a manipulace**

Při dlouhodobém skladování by měl být prostředek udržován v suchu a při teplotách v rozmezí -15 °C až 50 °C.

Použijte dodané balení produktu.

---

## **6 Omezení použití**

### **Zamýšlená životnost:**

Místní hodnocení rizik by mělo být provedeno na základě aktivity a použití.

### **Zvedání břemen**

Hmotnost a aktivita uživatele se řídí uvedenými limity.

Povolné zatížení uživatele by měla vycházet z místního posouzení rizik.

### **Prostředí**

Nevystavujte prostředek korozivním vlivům, jako je voda, kyseliny a jiné kapaliny. Rovněž se vyhněte abrazivním prostředím, jako jsou například prostředky obsahující písek, protože by mohlo dojít k předčasnému opotřebení.

Výhradně pro použití mezi -15 °C a 50 °C.



Vhodné pro venkovní použití

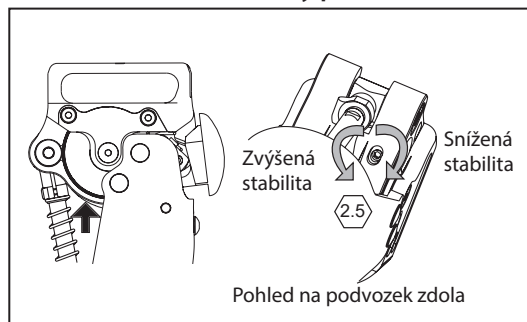


## 7 Statické vyrovnání

*Pokyny v této části jsou určeny pouze pro protetiky.*

### Test chůze

#### Seřizovač sestavy pružin



K seřizovači získáte přístup při plně natažené končetině.

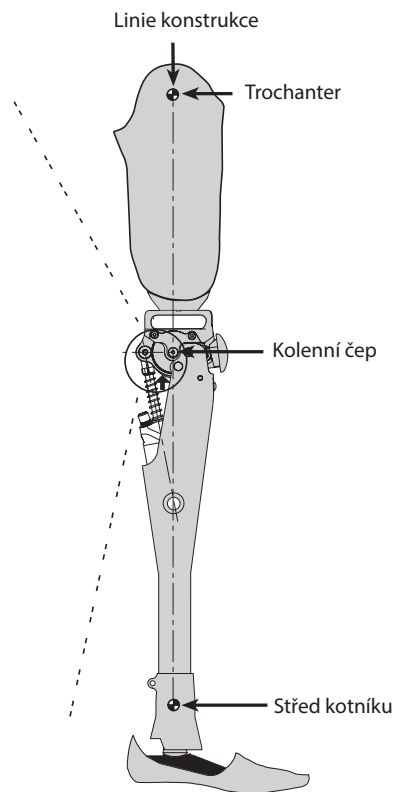
Otáčejte SEŘIZOVAČ SESTAVY PRUŽIN, abyste dosáhli požadované stability pro individuálního pacienta po amputaci.

Poznámka... Po nastavení by mělo být slyšet cvaknutí, seřizovač je samojistící.

Utáhněte SESTAVU PRUŽIN, abyste snížili stabilitu.

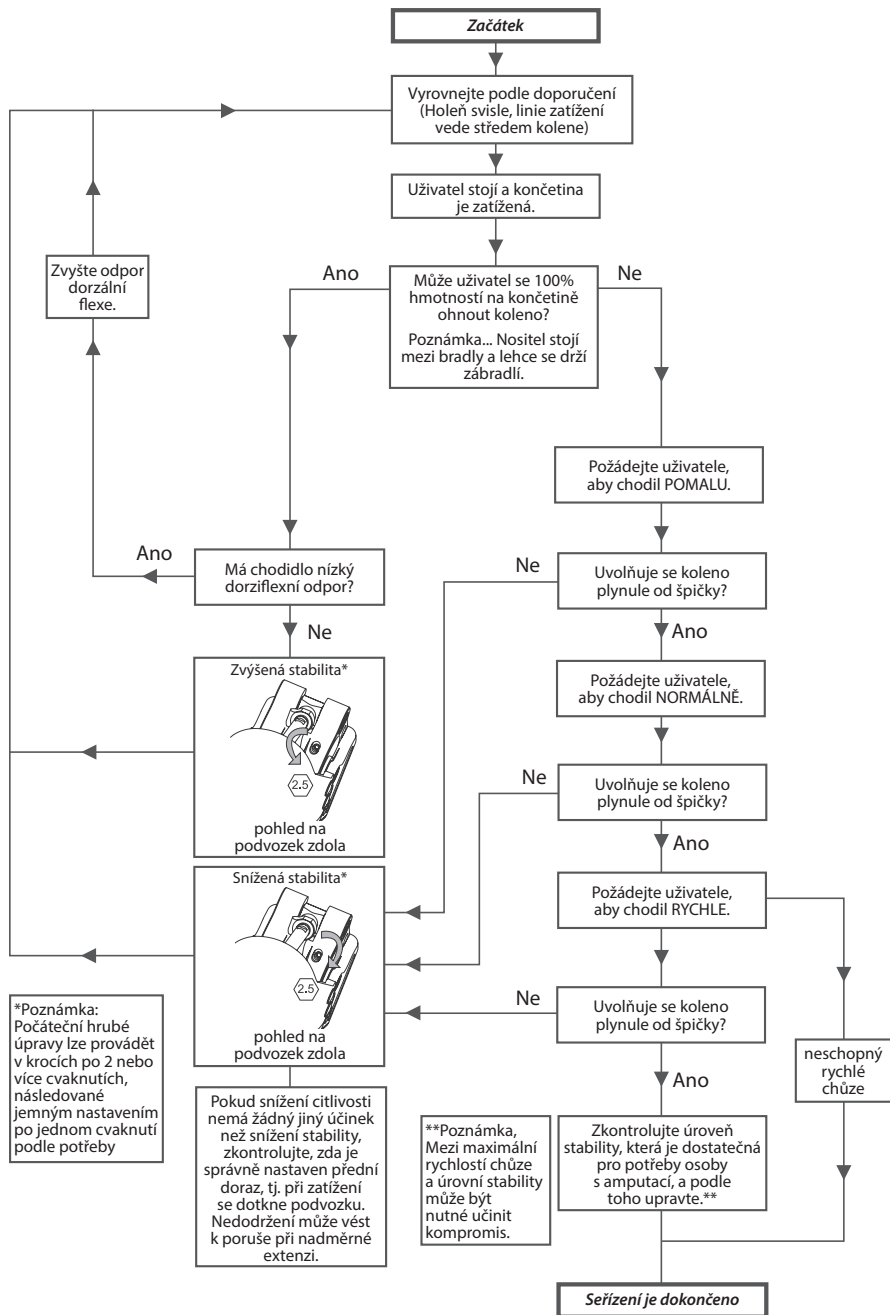
Uvolněte SESTAVU PRUŽIN, abyste zvýšili stabilitu – viz výše.

Pokud je to zapotřebí, lze seřizovač obnovit do výchozího nastavení. Toho lze dosáhnout snížením stability šesti slyšitelnými cvaknutími od nastavení maximální stability.



# 8 Pokyny k vyrovnání a seřízení stability

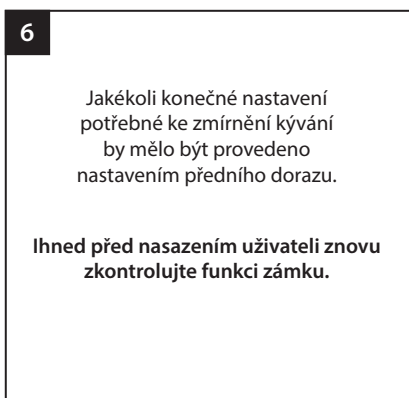
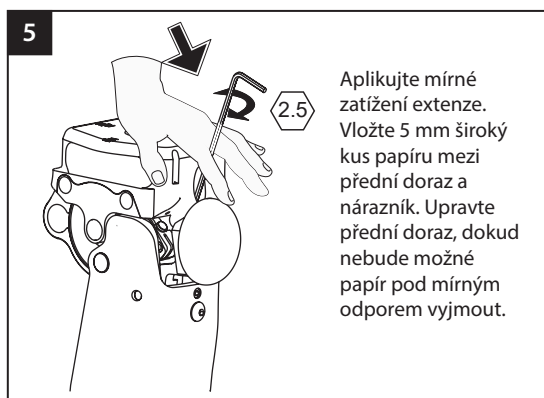
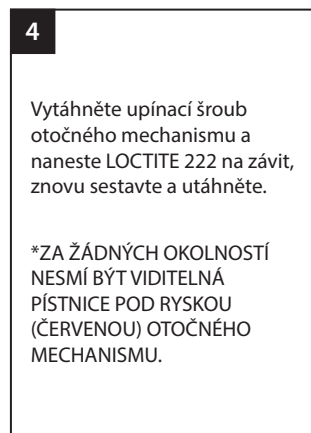
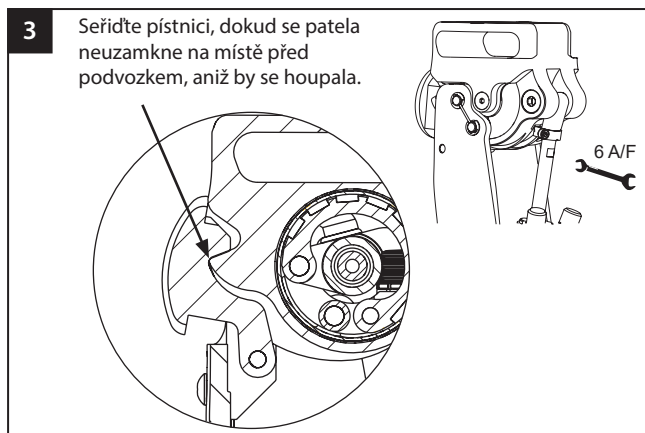
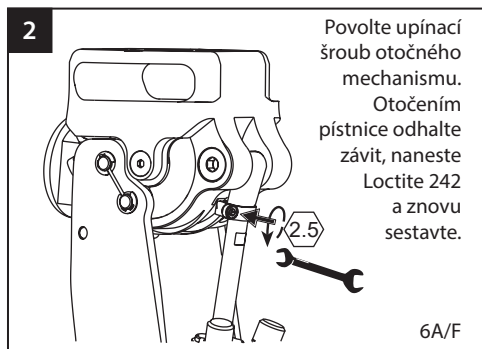
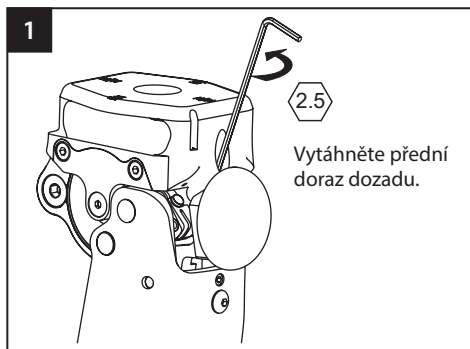
*Pokyny v této části jsou určeny pouze pro protetiky.*



## 9 Seřízení MKL

**Pokyny v této části jsou určeny pouze pro protetiky.**

(Tato nastavení se provádějí ve výrobním závodě, avšak pokud je nutné provést další nastavení, je třeba tyto kroky dodržet.)



## 9.1 Další seřízení

*Pokyny v této části jsou určeny pouze pro protetiky.*

Problém	Řešení
Koleno se nestabilizuje	Zvyšte citlivost.
	Posuňte objímku dopředu.
	Pokud je poškozena zadní hrana brzdy, vyměňte stabilizační mechanismus.
Koleno se neuvolní	Snižte citlivost.
	Zkontrolujte nastavení předního dorazu.
	Posuňte objímku dozadu.
Kolenní válec se nezajistí	Zkontrolujte aktivaci zámku, zda není narušen/omezen kosmézou (je-li ve výbavě).
Vůle / kývání kolenního zámku	Zkontrolujte seřízení pístní tyče.
Zdvížení paty během kmitu je příliš velké	Viz návod k použití ovládacího válce.
Zdvížení paty během kmitu je příliš malé	Viz návod k použití ovládacího válce.
Uživatel vnímá koncový dopad	Viz návod k použití ovládacího válce.
Prostředek během kmitu nedosáhne plné extenze	Viz návod k použití ovládacího válce.

Pokud po provedení těchto pokynů stále existují problémy s funkcí, kontaktujte prosím prodejní tým ve svém regionu a požádejte o radu.

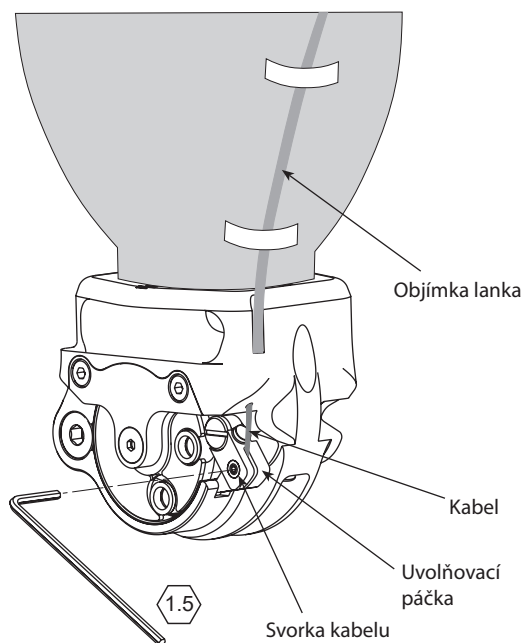
## 10 Nasazení lanka

Pomocí stehenní uvolňovací sady (239640) – k dispozici samostatně.

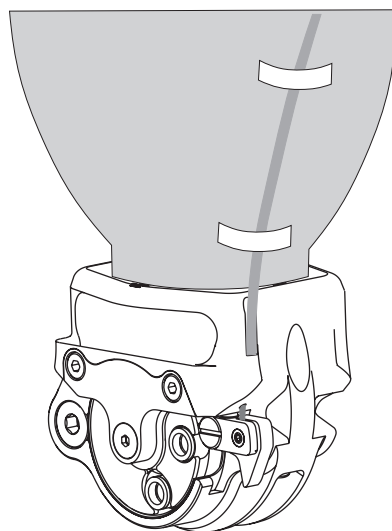
**Pokyny v této části jsou určeny pouze pro protetiky.**

1. Položte lanko proti objímce a vyhledejte pouzdro uvnitř zahloubení před podvozkem (zohledněte změny vyrovnání).
2. Protáhněte vnitřní lanko otvorem v podvozku.
3. Protáhněte lanko průchodkou a zajistěte jej upnutím na pocínovanou oblast na konci lanka.
4. Při montáži lanka k uvolnění steh se ujistěte, že uvolňovací páka působí proti česce, aby se koleno podle potřeby odemklo.
5. Viz pokyny pro upevnění dodávané se stehenní uvolňovací sadou.

**Koleno uzamknuto**



**Koleno odemknuto**



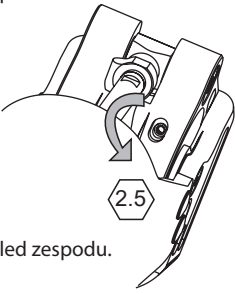
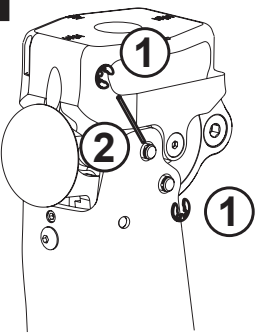
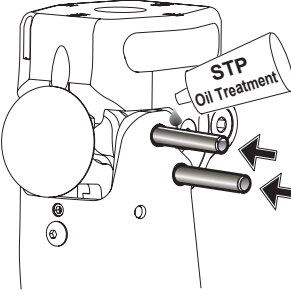
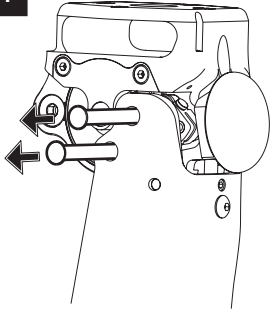
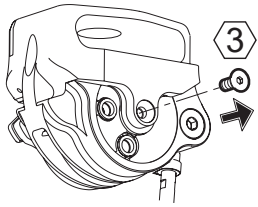
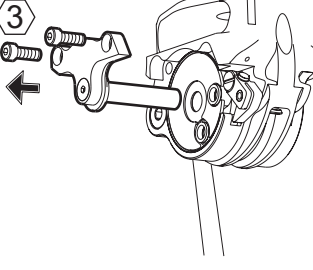
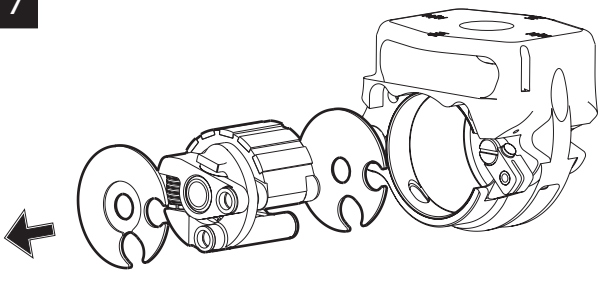
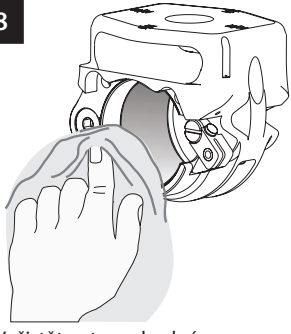
Komponenty česky a holeně nejsou z důvodu přehlednosti zobrazeny.

Nastavení prostředku pro ovládání kmitu, viz návod PSPC 938057.

# 11 Pokyny k sestavení

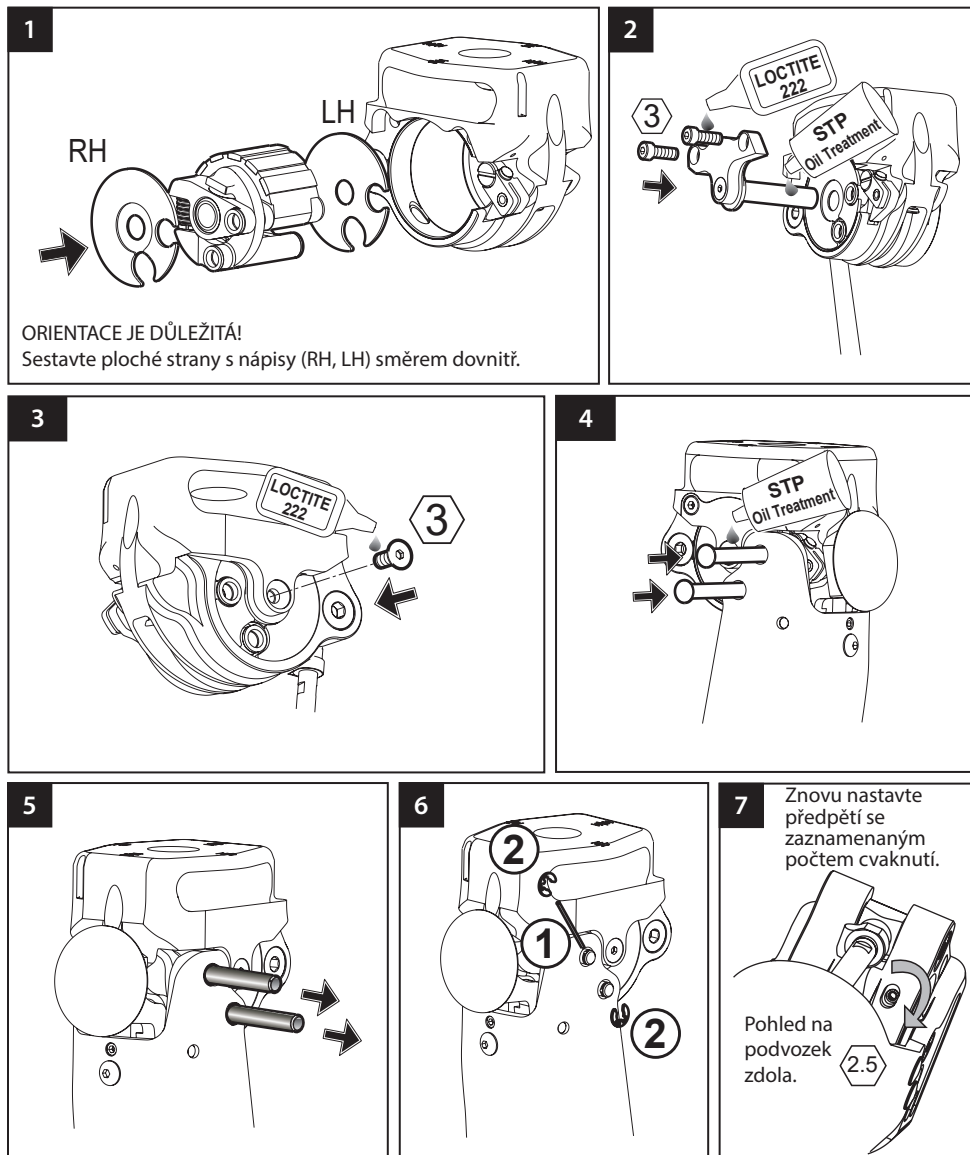
*Pokyny v této části jsou určeny pouze pro protetiky.*

## 11.1 Odstranění mechanismu ESK+

<p><b>1</b> Odstraňte veškeré předpětí a zaznamenejte počet cvaknutí.</p>  <p>Pohled zespodu.</p>	<p><b>2</b></p> 	<p><b>3</b></p> 
<p><b>4</b></p> 	<p><b>5</b></p> 	<p><b>6</b></p> 
<p><b>7</b></p>  <p>Materiál brzdového pásu lze otřít papírem, nepoužívejte rozpouštědla.</p>	<p><b>8</b></p>  <p>Vyčistěte otvor vhodným rozpouštědlem.</p>	

## 11.2 Výměna mechanismu ESK+

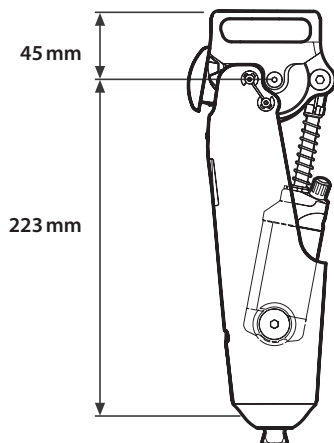
Pokyny v této části jsou určeny pouze pro protetiky.



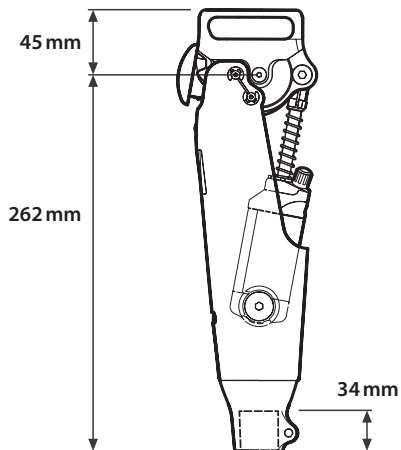
## 12 Technické údaje

Rozsah provozních a skladovacích teplot:	-15 °C až 50 °C
Hmotnost komponentu.	1,2 kg
Stupeň aktivity:	1-3
Maximální hmotnost uživatele:	125 kg
Maximální úhel flexe:	115°
Upevnění proximálního nástavce:	Samostatný šroub (Blatchford)
Distální vyrovnání nástavce:	Trubková svorka 30 mm nebo vnitřní pyramida (Blatchford)
Výška konstrukce:	Viz obrázky níže.

### Délka pro montáž



**ESK+ MKL s distální pyramidou**



**ESK+ MKL s distální trubkovou svorkou 30 mm**



# 13 Informace pro objednávání

## Příklad objednávky

	ESK+ s manuálním zámkem kolene									
	Distální trubková svorka 30 mm					Distální pyramida				
Pneumatický válec	ESK	SB	MKL	P	30	ESK	SB	MKL	P	PYR
	ESK+	Jediný šroub	Manuální zámek kolena	PSPC	Distální trubková svorka 30 mm	ESK+	Jediný šroub	Manuální zámek kolena	PSPC	Distální pyramida

## Náhradní díly

Položka	Část č.
Sestava kolen ESK+ MKL	239440
Stehenní uvolňovací sada	239640
Vyrovňovací čep mechanismu ESK	234914
Sada stabilizačního mechanismu ESK+	239949

## Zodpovědnost

Výrobce doporučuje používat prostředek pouze za stanovených podmínek a pro zamýšlené účely. Údržba prostředku musí být prováděna v souladu s pokyny k použití, které byly dodány s prostředkem. Výrobce nenese odpovědnost za jakýkoli nepříznivý výsledek způsobený kombinací komponent, které nebyly autorizovány.

## Soulad CE

Tento produkt splňuje požadavky směrnice EU 2017/745 o zdravotnických prostředcích. Tento produkt byl klasifikován jako produkt třídy I podle klasifikačních kritérií uvedených v příloze VIII tohoto předpisu. Prohlášení o shodě EU je dostupné na následující internetové adrese: [www.blatchford.co.uk](http://www.blatchford.co.uk).



Zdravotnický prostředek



Jeden pacient – více použití

## Kompatibilita

Kombinace se značkovými produkty Blatchford je schválena na základě testování v souladu s příslušnými normami a MDR, včetně strukturálních zkoušek, rozměrové kompatibility a sledovaného výkonu v terénu.

Kombinace s alternativními produkty s označením CE musí být provedena s ohledem na zdokumentované místní posouzení rizik provedené protetikem.

## Záruka

Na tento prostředek se poskytuje záruka po dobu 24 měsíců, na brzdový pás 12 měsíců.

Uživatel by si měl být vědom, že změny nebo úpravy, které nejsou výslovně schváleny, mohou zrušit platnost záruky, provozních licencí a výjimek.

Aktuální úplné prohlášení o záruce naleznete na webových stránkách společnosti Blatchford.

## Hlášení vážných nehod

V nepravděpodobném případě, že dojde k vážné nehodě v souvislosti s tímto prostředkem, měla by být nahlášena výrobcí a příslušnému národnímu orgánu.

## Aspekty životního prostředí

Tento výrobek obsahuje hydraulický olej, směsné kovy a plasty. Pokud je to možné, měly by být komponenty recyklovány v souladu s místními předpisy pro nakládání s odpady.

## Uchování štítku na obalu

Protetikovi se doporučuje uchovat štítek na obalu jako záznam o dodaném prostředku.

## Sídlo výrobce

Blatchford Products Limited, Lister Road, Basingstoke RG22 4AH, Spojené království.

## Uznání ochranné známky

Blatchford je registrovaná ochranná známka společnosti Blatchford Products Limited.



[blatchford.co.uk/distributors](http://blatchford.co.uk/distributors)

**Blatchford Products Ltd.**

Unit D Antura  
Kingsland Business Park  
Basingstoke  
RG24 8PZ  
UNITED KINGDOM  
Tel: +44 (0) 1256 316600  
Fax: +44 (0) 1256 316710  
Email: [customer.service@blatchford.co.uk](mailto:customer.service@blatchford.co.uk)  
[www.blatchford.co.uk](http://www.blatchford.co.uk)

**Blatchford Inc.**

1031 Byers Road  
Miamisburg  
Ohio 45342  
USA  
Tel: +1 (0) 800 548 3534  
Fax: +1 (0) 800 929 3636  
Email: [info@blatchfordus.com](mailto:info@blatchfordus.com)  
[www.blatchfordus.com](http://www.blatchfordus.com)

**Blatchford Europe GmbH**

Am Prime-Parc 4  
65479 Raunheim  
GERMANY  
Tel: +49 (0) 9221 87808 0  
Fax: +49 (0) 9221/87808 60  
Email: [info@blatchford.de](mailto:info@blatchford.de)  
[www.blatchford.de](http://www.blatchford.de)

Email: [contact@blatchford.fr](mailto:contact@blatchford.fr)  
[www.blatchford.fr](http://www.blatchford.fr)

**Endolite India Ltd.**

A4 Naraina Industrial Area  
Phase - 1  
New Delhi  
INDIA – 110028  
Tel: +91 (011) 45689955  
Fax: +91 (011) 25891543  
Email: [endolite@vsnl.com](mailto:endolite@vsnl.com)  
[www.endoliteindia.com](http://www.endoliteindia.com)

**Ortopro AS**

Hardangervegen 72  
Seksjon 17  
5224 Nesttun  
NORWAY  
Tel: +47 (0) 55 91 88 60  
Email: [post@ortopro.no](mailto:post@ortopro.no)  
[www.ortopro.no](http://www.ortopro.no)



Blatchford Europe GmbH  
Am Prime-Parc 4  
65479 Raunheim Germany

