

BMK2 Knee

Instructions for Use

BMK2

EN	Instructions for Use	2
SL	Navodila za uporabo	20
BG	Инструкции за употреба	38
HR	Upute za uporabu	56
SK	Návod na použitie	74
HU	Használati útmutató	92
EL	Οδηγίες χρήσης	110
LV	Lietošanas pamācība	128
LT	Naudojimo instrukcija	146
ET	Kasutusjuhend	164

Contents



Contents	2
1 Description and Intended Purpose	3
2 Safety Information	4
3 Construction	5
4 Function.....	5
5 Maintenance	6
6 Limitations on Use	7
7 Bench Alignment.....	8
8 Alignment Advice and Stability Adjustment.....	9
9 Dynamic Alignment	10
10 Maintenance of Stabilizing Mechanism.....	11
11 Maintenance of Extension Buffer	15
12 Troubleshooting	16
13 Technical Data	16
14 Ordering Information	17
14.1 Spare Parts.....	17

1 Description and Intended Purpose

These instructions are for the clinician/practitioner.

The term *device* is used throughout these instructions for use to refer to BMK2 knee.

Ensure that the user understands all instructions for use, drawing particular attention to the maintenance and safety information.

Users must be given gait training before using this device.

Application

This device is to be used exclusively as part of a lower limb prosthesis.

The device is a compact weight activated knee with an adjustable spring extension bias.

This device is intended for a single user.

Features

- Weight activated adjustable stance control
- Adjustable extension bias control incorporating terminal impact damping
- Maximum flexion angle 130°

Activity Level

This device is for Activity Level 1 and 2 users only. For maximum user weight see Section 13 *Technical Data*.

Activity Level 1

Has the ability or potential to use a prosthesis for transfers or ambulation on level surfaces at fixed cadence. Typical of the limited and unlimited household ambulator.

Activity Level 2

Has the ability or potential for ambulation with the ability to traverse low-level environmental barriers such as curbs, stairs, or uneven surfaces. Typical of the limited community ambulator.

Activity Level 3

Has the ability or potential for ambulation with variable cadence. Typical of the community ambulator who has the ability to traverse most environmental barriers and may have vocational, therapeutic, or exercise activity that demands prosthetic utilization beyond simple locomotion.

Activity Level 4

Has the ability or potential for prosthetic ambulation that exceeds basic ambulation skills, exhibiting high impact, stress, or energy levels. Typical of the prosthetic demands of the child, active adult, or athlete.

Contraindications

This device is not suitable for users with:

- Extreme muscular weakness, contractures that cannot be correctly accommodated, or proprioceptive dysfunction including poor balance.
- Contralateral joint instabilities or pathology.
- Complicated conditions involving multiple disabilities.
- Users, including bilateral transfemoral amputees, who require a yielding function from the knee to descend stairs or to sit. This can result in damage of the brake mechanism that can adversely affect stability and durability.

Clinical Benefits

- Stabilizing knee activates smoothly on weight bearing to give security when standing and when traversing uneven ground. It then releases cleanly at toe off.
- Resilient action of stabilizing mechanism gives limited stance flexion which reduces shock at heel strike.

2 Safety Information



This warning symbol highlights important safety information which must be followed carefully.



Any changes in the performance or function of the knee e.g. restricted movement, non-smooth motion or unusual noises should be immediately reported to your service provider. During the terminal swing immediately before heel strike, some impact noise may be heard due to the extension assist as the limb reaches full extension.



Always use a hand rail when descending stairs and at any other time if available. Avoid exposure to extreme heat and/or cold.



The device is not intended to be used in water or as a shower prosthesis. If the knee comes into contact with water wipe dry immediately.



The device is not suitable for extreme sports, running or cycle racing, ice and snow sports, extreme slopes and steps. Any such activities undertaken are done so completely at the users' own risk.



Assembly, maintenance and repair of the device must only be carried out by a suitably qualified clinician.



When servicing the device make sure there is no grease in the brake drum.



Ensure only suitably retrofitted vehicles are used when driving. All persons are required to observe their respective driving laws when operating motor vehicles.



The user must not adjust or tamper with the setup of the device.



The user should be advised to contact their clinician if their condition changes.



Be aware of finger trap hazard at all times.



Any excessive changes in heel height after finalization of alignment may adversely affect limb function.

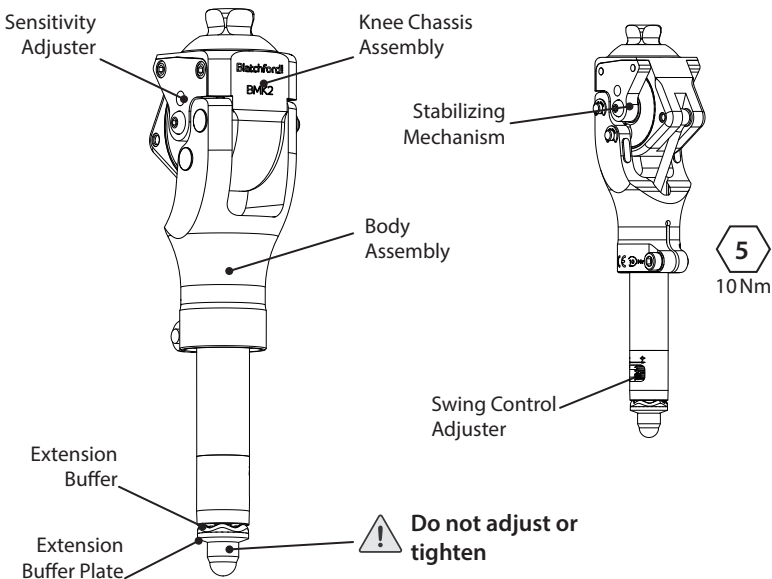
3 Construction

Principal Parts

- Body Assembly (aluminum, stainless steel, polyurethane, felt)
- Knee Chassis Assembly (aluminum, stainless steel)
- Stabilizing Mechanism (aluminum, bronze, acetal homopolymer, polyurethane, synthetic rubber)

Note... The friction material in the stabilizing mechanism contains no asbestos.

Component Identification



4 Function

The knee is weight activated and the sensitivity can be customized to suit the stability requirements of the user.

Swing control is adjustable by altering the compression on a coil spring controlling heel rise and extension bias.

The device provides stance flexion during brake activation as a result of the resilience of the brake band mechanism.

5 Maintenance

Maintenance must be carried out by competent personnel.

It is recommended that the following maintenance is carried out annually:

- Check all non-adjuster screws for tightness (see Construction section) (DO NOT tighten the covered nut at the distal end).
- Clean the brake pad and replace the extension stops (see Section 10 *Maintenance of Stabilizing Mechanism* for procedure).
- In the event of unusual noises such as squeaks and creaks and/or reduced stability, carry out maintenance of the stabilizing mechanism, see Section 10 *Maintenance of Stabilizing Mechanism*. If noises persist contact your Blatchford representative.
- Wear and tear on the extension buffer is acceptable. If excessive noise is present at full extension replace the extension buffer. See Section 11 *Maintenance of Extension Buffer*.
- Check for excessive Medio-Lateral play of the chassis.
- If the trailing edge of the brake band pad is worn down to the plastic of the brake band, replace the complete brake band. (Note: Individual pads cannot be replaced.)
- Ensure orientation of brakeband is correct on reassembly. Always check stability before using.

The user must be handed the User Guide supplied, and be advised to report the following to the practitioner:

- Any changes in body weight or activity level
- Any changes in performance of this device

Changes in performance may include:

- Restricted swing
- Changes in smoothness of swing
- Reduced stability during stance
- Any unusual noise

Cleaning

Use a damp cloth and mild soap to clean outside surfaces, DO NOT use aggressive cleansers. Thoroughly dry before use.

6 Limitations on Use

Intended Life

Service life of the product is covered by the warranty period - a local risk assessment should be carried out based upon activity and usage.

Lifting Loads

User weight and activity is governed by the stated limits.

Load carrying by the user should be based on a local risk assessment.

Note... The device is weight activated and carrying loads may cause the stance support to engage more readily.

Environment

Avoid exposing the device to corrosive elements such as water, acids and other liquids. Also avoid abrasive environments such as those containing sand for example as these may promote premature wear.

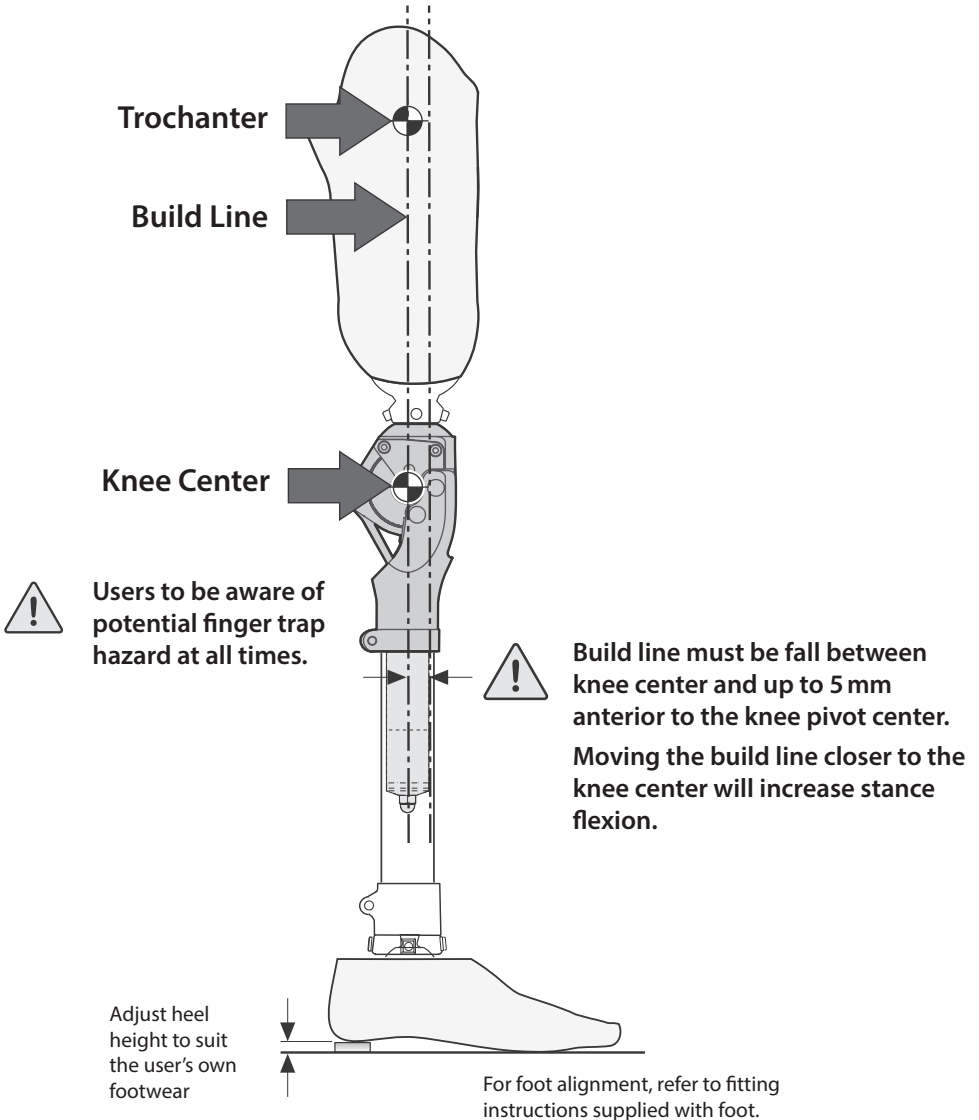


Suitable for outdoor use

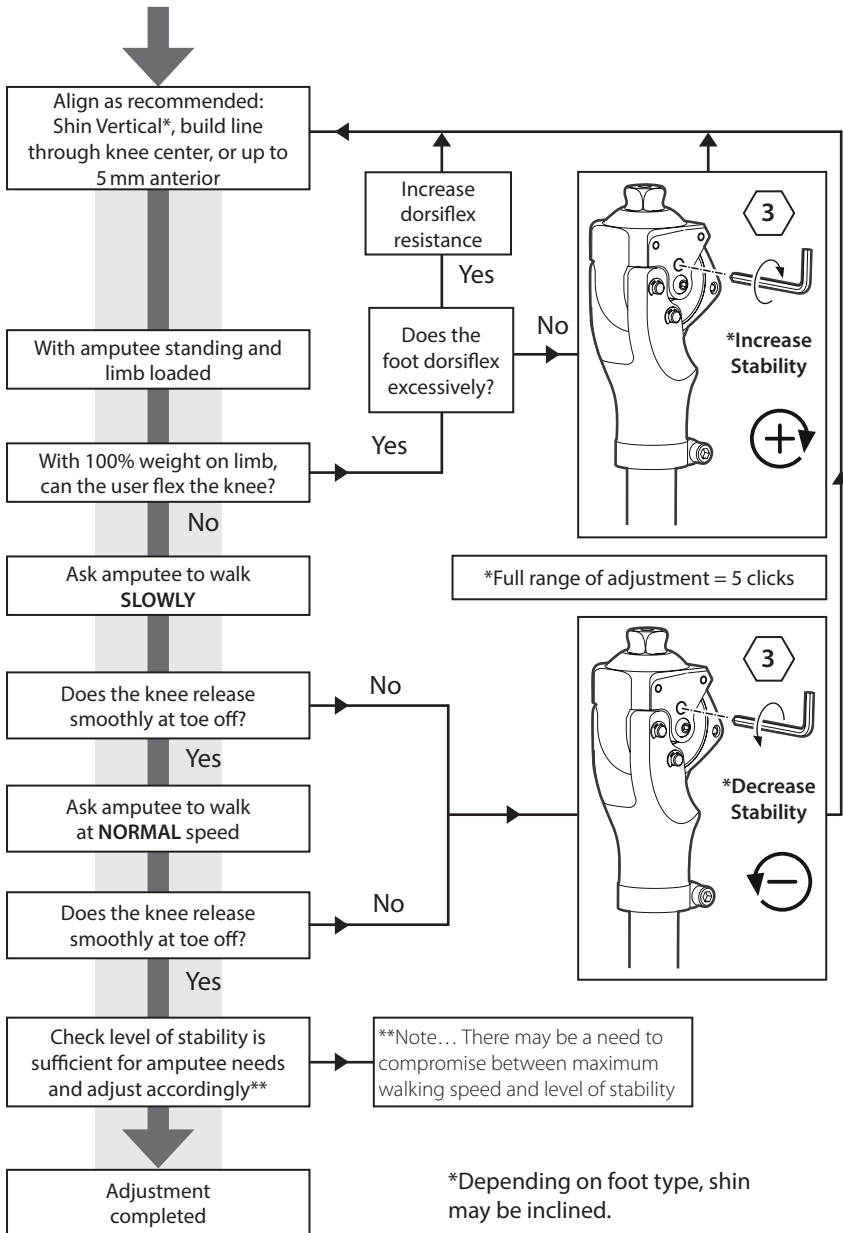
Exclusively for use between -15 °C and 50 °C
(5 °F and 122 °F).

7 Bench Alignment

When aligning the prosthesis for use with the device, position of the build line is critical. The knee should be aligned so that it is geometrically stable. With flexion fully accommodated in the socket, the build line should pass through the trochanter and knee center, or in a line parallel to this, up to 5 mm anterior of the knee center.



8 Alignment Advice and Stability Adjustment

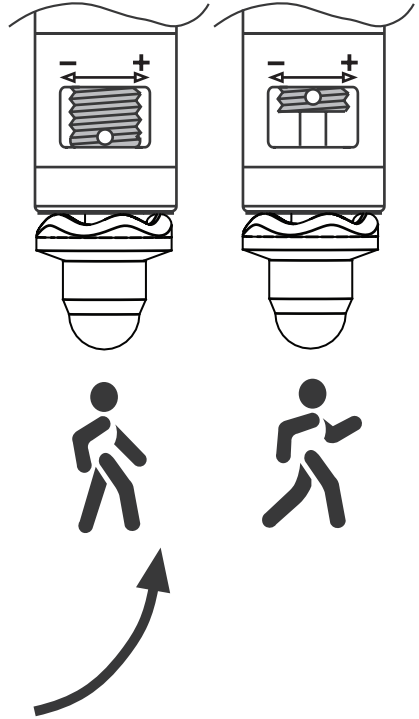
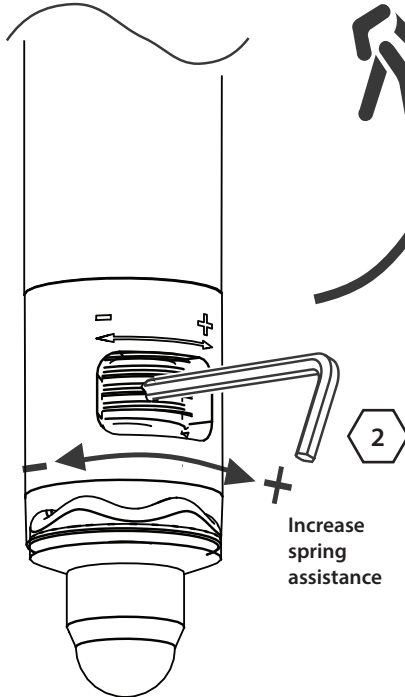
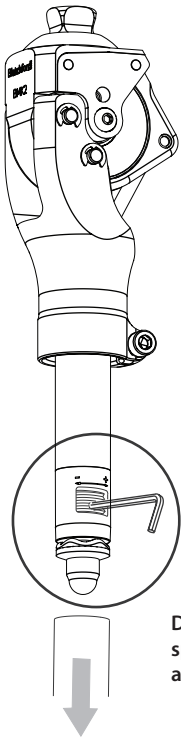


9 Dynamic Alignment


Swing Control Adjustment (Extension Bias)


Note... If operated by hand, the engagement of the terminal impact damping may be felt immediately before full extension; this is normal.

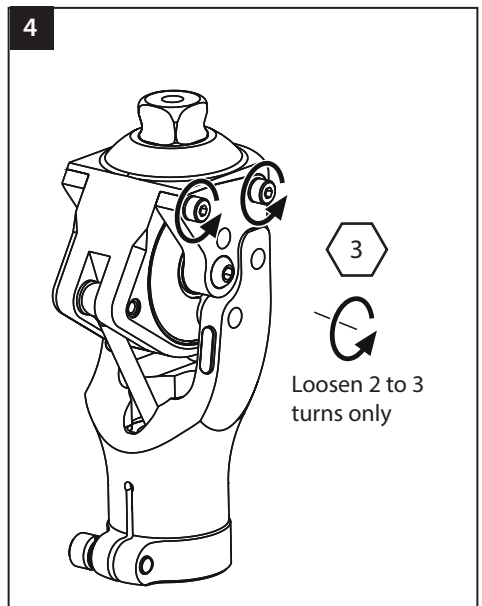
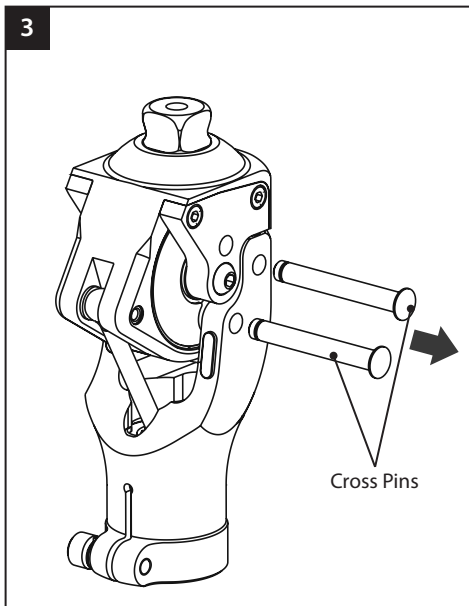
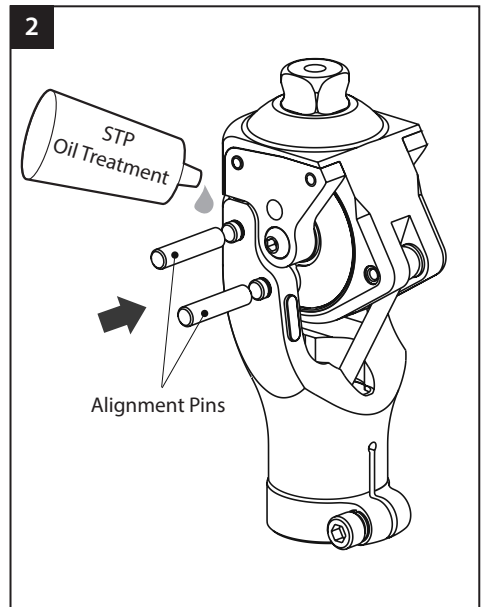
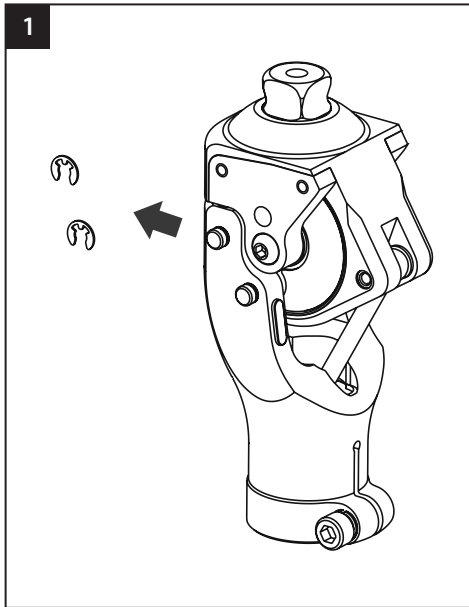
Situation	Solution
Heel rise too high during swing or device does not fully extend during swing.	Increase spring assistance
Heel rise too low during swing or user experiences terminal impact.	Decrease spring assistance

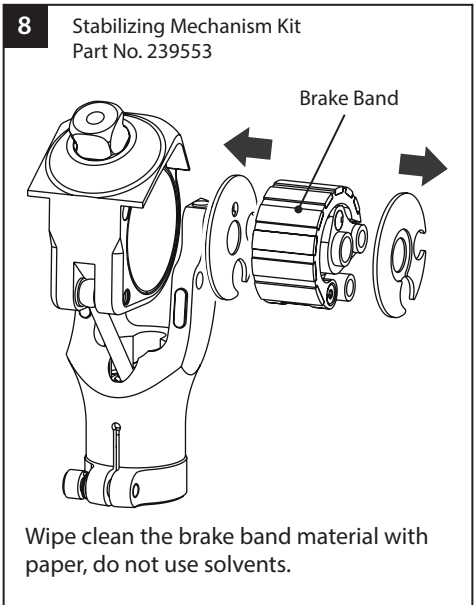
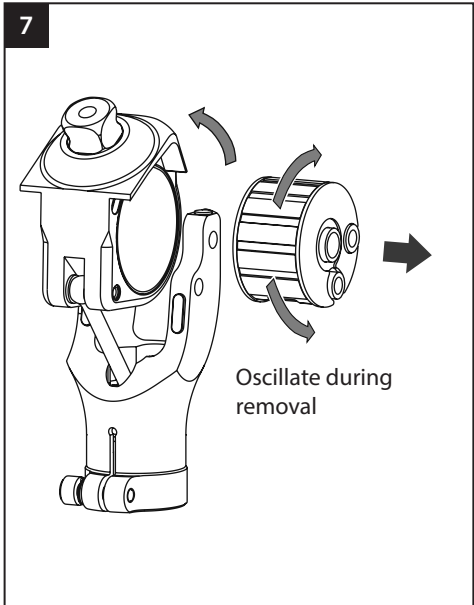
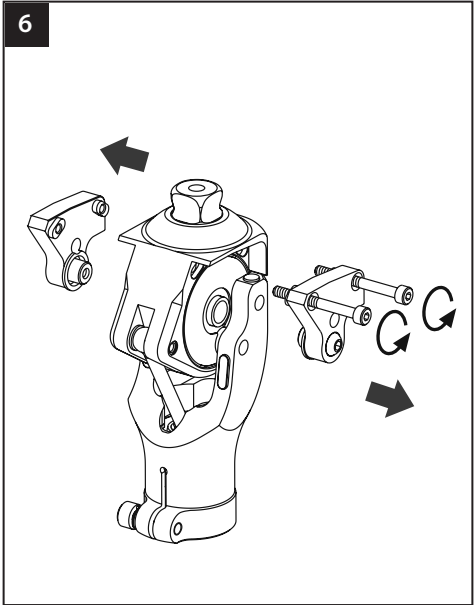
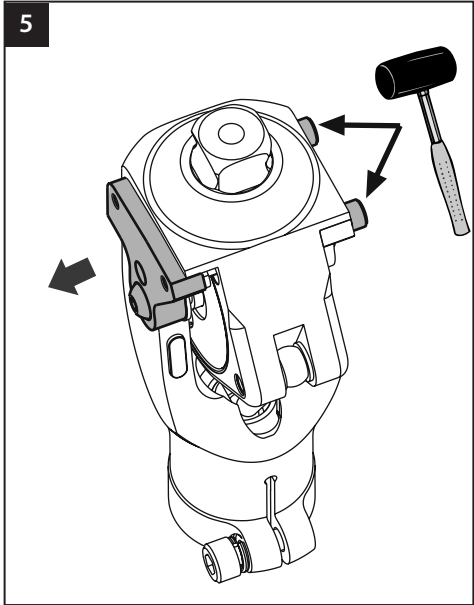


10 Maintenance of Stabilizing Mechanism

 Use appropriate health and safety equipment at all times including extraction facilities.

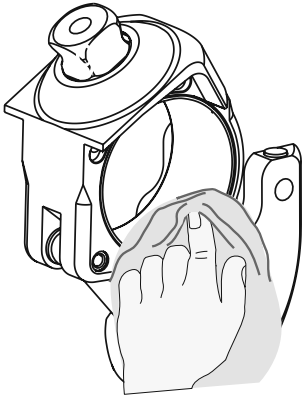
 Be aware of finger trap hazard at all times.





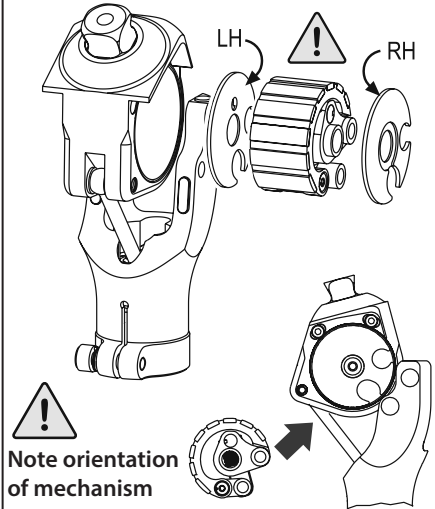
9

Clean bore with suitable solvent.

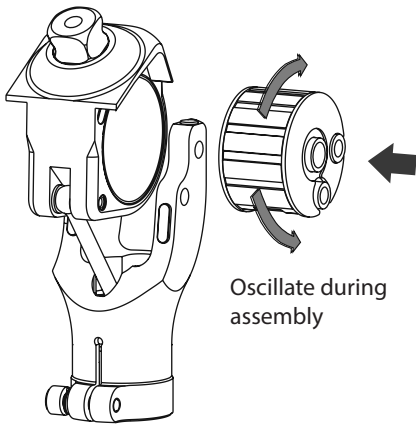


10

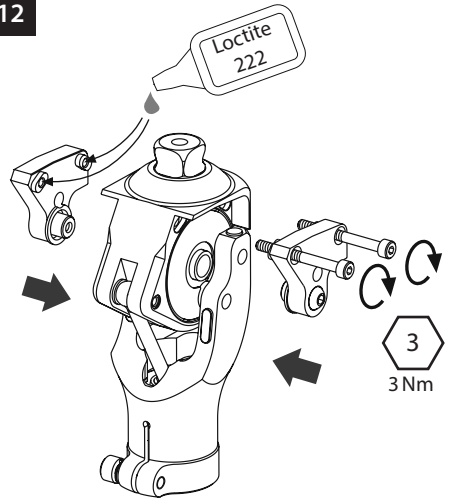
Re-assembly



11

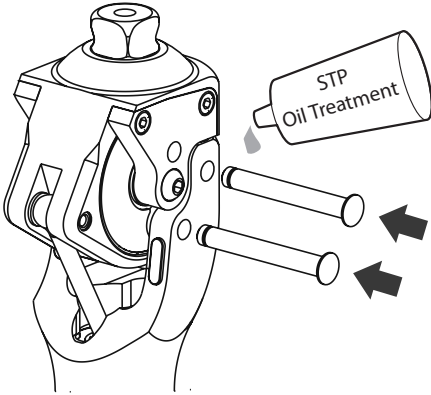


12



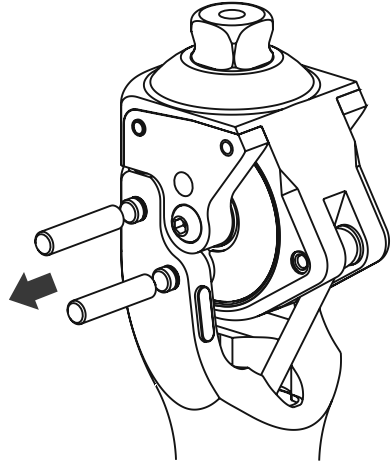
13

Apply a thin smear of lubricant (Part No. 928105) to the cross pins.

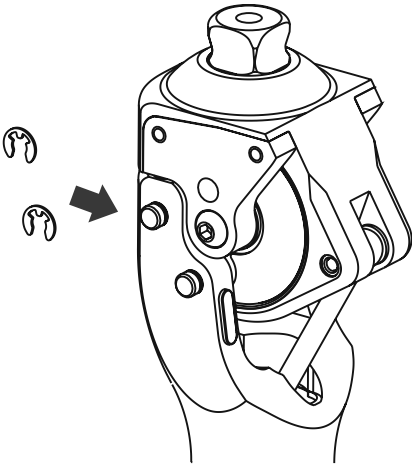


Make sure that no lubricant seeps into the brake drum. This may cause the device to become unstable.

14



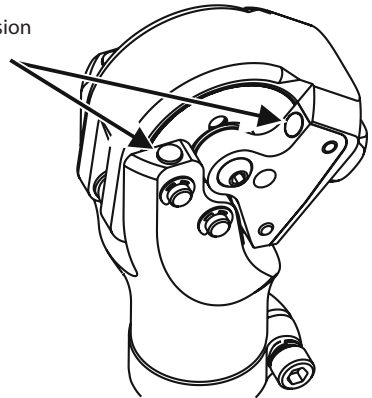
15



16

Replace all 4 extension stops annually. Extension stop kit Part No 239453

Extension Stops



Following maintenance it is important to review the user's stability adjustment. Refer to the flowchart in the Alignment Advice and Stability Adjustment section.

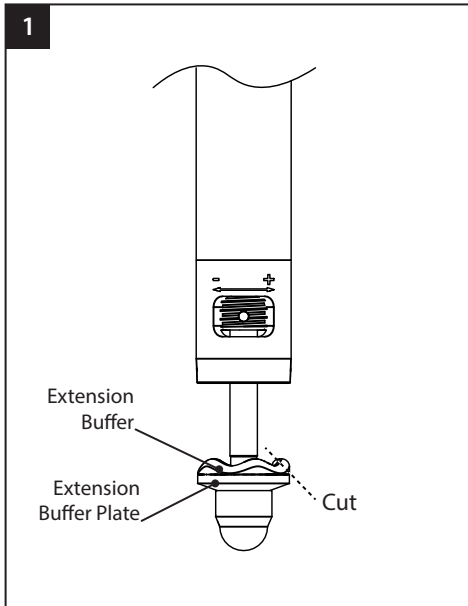
11 Maintenance of Extension Buffer



Use appropriate health and safety equipment at all times including extraction facilities.

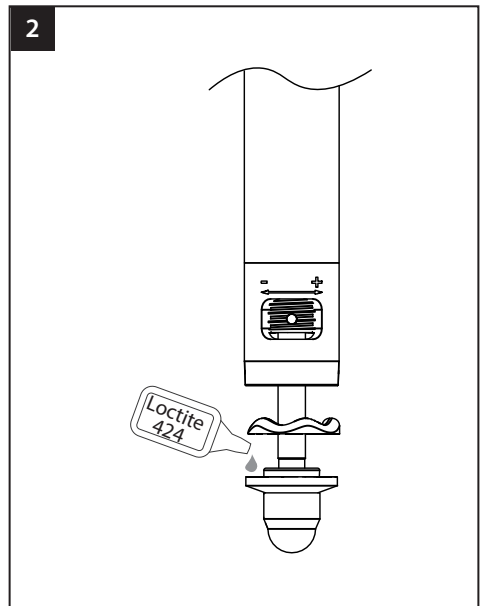


Be aware of finger trap hazard at all times.



Using a knife, cut and remove the old extension buffer.

Clean the top surface of the extension buffer plate using a suitable solvent.



Stretch the new extension buffer over the the extension buffer plate.

Secure the extension buffer to the extension buffer plate with Loctite 424.

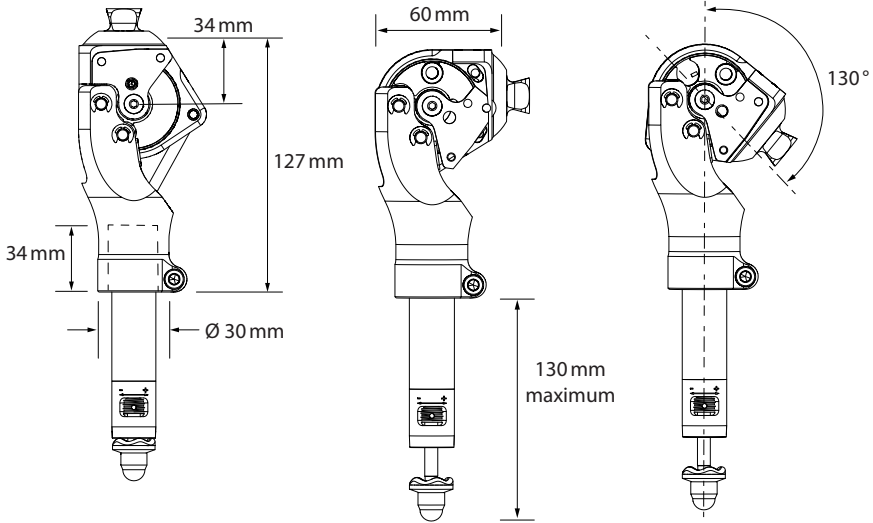
12 Troubleshooting

Symptom	Solution
Excessive noise from knee.	Clean the brake band and brake drum. Apply lubricant to the pivot pins. See Section 10 <i>Maintenance of Stabilizing Mechanism</i> for procedures.
Knee not stabilising.	Check the stability adjustment. See Section 8 <i>Alignment Advice and Stability Adjustment</i> . Clean the brake drum. Check the brake pads for wear and replace the stabilizing mechanism if the trailing edge of the brake is damaged. See Section 10 <i>Maintenance of Stabilizing Mechanism</i> for procedures.
Knee does not release.	Check the stability adjustment. See Section 8 <i>Alignment Advice and Stability Adjustment</i> .

13 Technical Data

Operating and Storage Temperature Range:	-15°C to 50°C 5°F to 122°F
Component Weight:	580 g (1 lb 5 ozs)
Recommended Activity Level:	2
Maximum User Weight:	125 kg (275 lb)
Proximal Alignment attachment:	Rotating Male Pyramid (Blatchford)
Distal attachment	30 mm dia tube clamp (Blatchford)
Build Height:	127 mm
Proximal pyramid to distal tube end	(+130 mm)
[See <i>Fitting Length</i> on page 17]	

Fitting Length





14 Ordering Information

Order Example

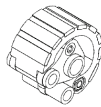


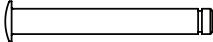


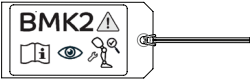

BMK2

14.1 Spare Parts


Extension Stop Kit 239453

Description	Qty	Illustration
Extension Stop - BMK2	4	
Fitting Instructions	1	


Stabilizing Mechanism Kit 239553

Description	Qty	Illustration
Compact Stabilizing Mechanism	1	
Dust Cover LH	1	
Dust Cover RH	1	
Cross Pin	2	
Retainer External 'E' Ring	2	
Alignment Pin	2	
BMK2 Adjustment Warning Tag	1	
Fitting Instructions	1	

Extension Buffer

Description	Qty	Part Number	Illustration
Extension Buffer	1	B-0000021	

Consumables

Description	Qty	Part Number	Illustration
STP Oil Treatment	A/R	928105	
Loctite 222 Screwlock	A/R	926001	
Loctite 424 Adhesive	A/R	926104	

Liability

The manufacturer recommends using the device only under the specified conditions and for the intended purposes. The device must be maintained according to the instructions for use supplied with the device. The manufacturer is not liable for any adverse outcome caused by any component combinations that were not authorized by them.

CE Conformity

This product meets the requirements of the European Regulation EU 2017/745 for medical devices. This product has been classified as a class I device according to the classification rules outlined in Annex VIII of the regulation. The EU declaration of conformity certificate is available at the following internet address: www.blatchford.co.uk



Medical Device



Single Patient – multiple use

Compatibility

Combination with Blatchford branded products is approved based on testing in accordance with relevant standards and the MDR including structural test, dimensional compatibility and monitored field performance.

Combination with alternative CE marked products must be carried out in view of a documented local risk assessment carried out by a Practitioner.

Warranty

This device is warranted for 24 months from original date of purchase unless otherwise stated. The Compact Stabilizing Mechanism is warranted for 12 months from original date of purchase unless otherwise stated. Wear and tear on the brake band is excluded from the warranty. The user should be aware that changes or modifications not expressly approved could void the warranty, operating licenses and exemptions. See Blatchford website for the current full warranty statement including wear and tear.

Reporting of Serious Incidents

In the unlikely event of a serious incident occurring in relation to this device it should be reported to the manufacturer and your national competent authority.

Environmental Aspects

Where possible the components should be recycled in accordance with local waste handling regulations.

Retaining the Packaging Label

You are advised to keep the packaging label as a record of the device supplied.

Trademark Acknowledgements

Blatchford is a registered trademark of Blatchford Products Limited.

Manufacturer's Registered Address



Blatchford Products Limited, Lister Road, Basingstoke RG22 4AH, UK

Vsebina.....	20
1 Opis in namen uporabe	21
2 Varnostne informacije	22
3 Konstrukcija.....	23
4 Delovanje	23
5 Vzdrževanje	24
6 Omejitve uporabe	25
7 Namizna poravnava.....	26
8 Pripomoček za poravnavo in nastavitev stabilnosti	27
9 Dinamična poravnava.....	28
10 Vzdrževanje stabilizacijskega mehanizma	29
11 Vzdrževanje blažilnika iztega.....	33
12 Odpravljanje napak	34
13 Tehnični podatki	34
14 Podatki za naročanje.....	35
14.1 Nadomestni deli	35

1 Opis in namen uporabe

Ta navodila so predvidena za zdravnika oz. kliničnega zdravnika.

Izraz *pripomoček* se v teh navodilih za uporabo uporablja za koleno BMK2.

Preverite, ali je uporabnik razumel vsa navodila za uporabo, pri čemer ga še posebej opozorite na informacije o vzdrževanju in varnosti.

Pred uporabo tega pripomočka mora usposobljena oseba uporabnika naučiti, kako hoditi s protezo.

Uporaba

Pripomoček je predviden izključno kot del proteze za spodnje okončine.

Ta pripomoček je kompaktno koleno, ki se aktivira s težo, z nastavljivim prednapetim podaljškom.

Ta pripomoček je predviden samo za enega uporabnika.

Lastnosti

- Nastavljiv nadzor stanja, aktiviran s težo
- Nastavljiv nadzor prednapetosti podaljška z vdelanim blažilnikom udarcev
- Največji kot krčenja 130°

Stopnja aktivnosti

Ta pripomoček je primeren samo za uporabnike s stopnjo aktivnosti 1 in 2. Za največjo težo uporabnika glejte razdelek 13 *Tehnični podatki*.

Stopnja aktivnosti 1

Ima sposobnost ali potencial uporabljati protezo za transferje oz. premikanje po ravnih površinah z enakomernim korakom. Običajno omejeno in neomejeno pokretna oseba v gospodinjstvu in domačem okolju.

Stopnja aktivnosti 2

Ima sposobnost ali potencial za premikanje s sposobnostjo premagovanja nizkih ovir, kot so robniki, stopnice ali neravne površine. Običajno je to omejeno pokretna oseba v javnosti.

Stopnja aktivnosti 3

Ima sposobnost ali potencial za premikanje s spremenljivim korakom. Običajno pokretna oseba, ki lahko premaga večino okoljskih ovir in morda opravlja poklicno, terapevtsko ali fizično aktivnost, ki zahteva uporabo proteze, ki presega zgolj preprosto gibanje.

Stopnja aktivnosti 4

Ima sposobnost ali potencial za hojo s protezo, ki presega osnovne sposobnosti hoje, in je izpostavljena močnim udarcem, visokim obremenitvam ali visokim ravnem energije. Običajno se uporablja kot proteza otroka, aktivno odraslo osebo ali športnika.

Kontraindikacije

Ta pripomoček ni primeren za uporabnike z naslednjimi predpostavkami:

- ekstremna šibkost mišic; kontrakcije, ki jih ni mogoče pravilno izravnati, ali proprioceptivne napake, kot je slabo ravnotežje;
- nestabilnosti ali patologija kontralateralnega sklepa;
- zapletena stanja, kot je večkratna invalidnost.
- Uporabniki, vključno z bilateralnimi transfemoralnimi amputiranci, ki potrebujejo pomoč kolena pri hoji po stopnicah navzdol in usedanju. To lahko povzroči okvaro zavornega mehanizma, kar lahko negativno vpliva na stabilnost in trpežnost.

Klinične prednosti

- Stabiliziranje kolena se ob obremenitvi aktivira brez težav in tako nudi varnost pri stanju ter hoji čez neravne površine. Ob dvigu prsta od tal se neovirano tudi sprosti.
- Prožnost stabilizacijskega mehanizma omogoča omejeno krčenje pri stanju, kar zmanjša silo udarca pete ob tla.

2 Varnostne informacije



Ta opozorilni simbol poudarja pomembne varnostne informacije, ki jih je treba natančno upoštevati.



Morebitne spremembe v delovanju kolena, kot so npr. omejeno gibanje, zatikajoče gibanje ali neobičajni zvoki, je treba nemudoma javiti ponudniku storitve. Med končnim nihanjem tik pred udarcem pete ob tla bo morda slišen zvok udarca zaradi pomožnega mehanizma za izteg, ko okončina doseže popoln izteg.



Pri hoji po stopnicah navzdol in vedno, ko je sicer mogoče, je treba uporabljati držala.

Ne izpostavljajte ekstremni vročini in/ali mrazu.



Pripomoček ni predviden za uporabo v vodi ali kot proteza za prhanje. Če koleno pride v stik z vodo, ga takoj obrišite.



Pripomoček ni primeren za ekstremne športe, tekaške ali kolesarske dirke, športe na ledu in snegu ter za hojo po strminah in strmih stopnicah. Tovrstne aktivnosti uporabnik izvaja na lastno odgovornost.



Pripomoček lahko sestavi, vzdržuje in popravlja samo ustrezno usposobljen zdravnik.



Pri servisiranju pripomočka pazite, da v zavorni boben ne prodre mast.



Poskrbeti je treba, da se za vožnjo uporabljajo samo ustrezno predelana vozila. Vse osebe morajo pri upravljanju motornih vozil upoštevati veljavne cestno-prometne predpise v svoji državi.



Uporabnik ne sme prilagajati ali spreminjati nastavitve pripomočka.



Uporabniku je treba svetovati, da se naj obrne na svojega kliničnega zdravnika, če se njegovo stanje spremeni.



Bodite pozorni, saj obstaja nevarnost, da se vam prsti ujamejo.



Vsakršne prekomerne spremembe v višini pete po končni nastavitvi pripomočka lahko negativno vplivajo na delovanje proteze.

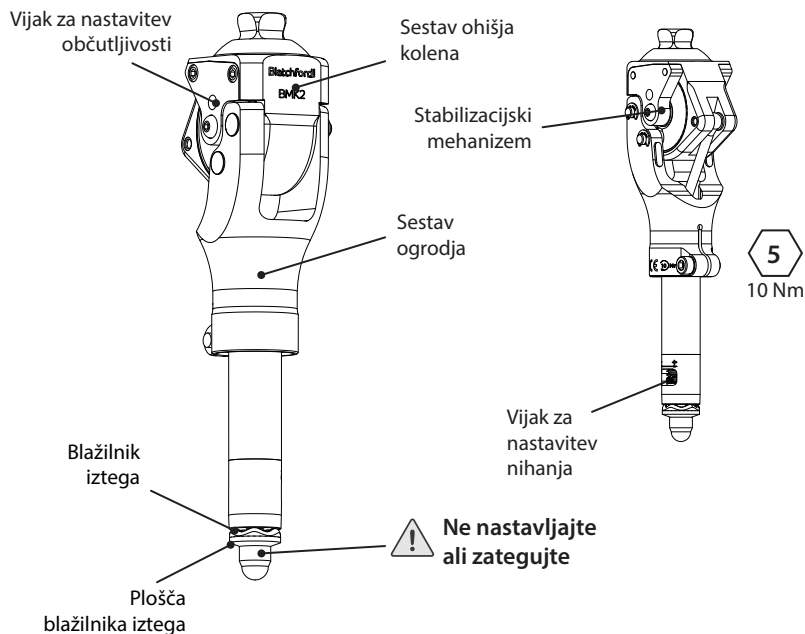
3 Konstrukcija

Glavni deli

- Sestav ogrodja (aluminij, nerjaveče jeklo, poliuretlan, polst)
- Sestav ohišja kolena (aluminij, nerjaveče jeklo)
- Stabilizacijski mehanizem (aluminij, bron, acetal homopolimer, poliuretlan, sintetična guma)

Opomba... torni material v stabilizacijskem mehanizmu ne vsebuje azbesta.

Identifikacija komponente



4 Delovanje

Koleno se aktivira s težo, občutljivost pa je mogoče prilagoditi tako, da bo ustrezala uporabnikovim zahtevam glede stabilnosti.

Nadzor nihanja je mogoče prilagoditi z nastavitvijo kompresije na spiralne vzmeti, ki nadzirajo dvig pete in prednapetost podaljška.

Pripomoček med aktivacijo zavore zaradi odpornega zavornega tračnega mehanizma omogoča pokrčenje kolena.

5 Vzdrževanje

Vzdrževanje lahko izvaja samo usposobljeno osebje.

Priporočeno je naslednje letno vzdrževanje:

- Preverite, ali so vsi vijaki, ki se ne uporabljajo za nastavljanje, dobro priviti (glejte razdelek Sestava) (NE zategnite prekrите matice na distalnem koncu).
- Očistite zavorno oblogo in zamenjajte omejevala podaljška (za postopek glejte razdelek 10 *Vzdrževanje stabilizacijskega mehanizma*).
- V primeru neobičajnih zvokov, kot sta cviljenje in škripanje, in/ali zmanjšane mobilnosti, opravite vzdrževanje stabilizacijskega mehanizma; glejte razdelek 10 *Vzdrževanje stabilizacijskega mehanizma*. Če zvoki ne izginejo, se obrnite na zastopnika podjetja Blatchford.
- Obraba blažilnika iztega je sprejemljiva. Če so pri popolnem iztegu prisotni zvoki, je treba blažilnik iztega zamenjati. Glejte razdelek 11 *Vzdrževanje blažilnika iztega*.
- Preverite, ali je prisotna prekomerna medio-lateralna zračnost ogrođja.
- Če je zadnji rob obloge zavornega traku obrabljen do plastičnega traku, je treba zamenjati celoten zavorni trak. (Opomba: Posameznih oblog ni mogoče zamenjati.)
- Poskrbite, da boste ob ponovni namestitvi zavorni trak pravilno obrnili. Pred uporabo vedno preverite stabilnost.

Uporabniku je treba predati uporabniški priročnik in mu svetovati, da zdravnika obvesti o:

- morebitnih spremembah v telesni teži in/ali stopnji aktivnosti;
- morebitnih spremembah v delovanju pripomočka.

Spremembe v delovanju lahko vključujejo:

- Omejeno nihanje
- Spremembe v gladkem teku nihanja
- Slabša stabilnost med stanjem
- kakršenkoli neobičajen zvok.

Čiščenje

Z vlažno krpo in blagim milom očistite zunanje površine. NE uporabljajte agresivnih čistil.

Pred uporabo temeljito posušite.

6 Omejitve uporabe

Predvidena uporabna doba

Življenjsko dobo izdelka krije garancijsko obdobje, pri čemer je treba na osnovi aktivnosti in uporabe opraviti lokalno oceno tveganja.

Dviganje bremen

Glede na težo in aktivnost uporabnika veljajo navedene omejitve.

Pri prenašanju bremena mora uporabnik upoštevati lokalno oceno tveganja.

Opomba... pripomoček se aktivira na težo, zato se lahko pri nošenju bremen opora za fazo stanja lažje aktivira.

Okolje

Pripomočka ne izpostavljajte korozivnim elementom, kot so voda, kisline in druge tekočine. Prav tako se izogibajte abrazivnim okoljem, ki npr. vsebujejo pesek, ker povzročajo predčasno obrabo.

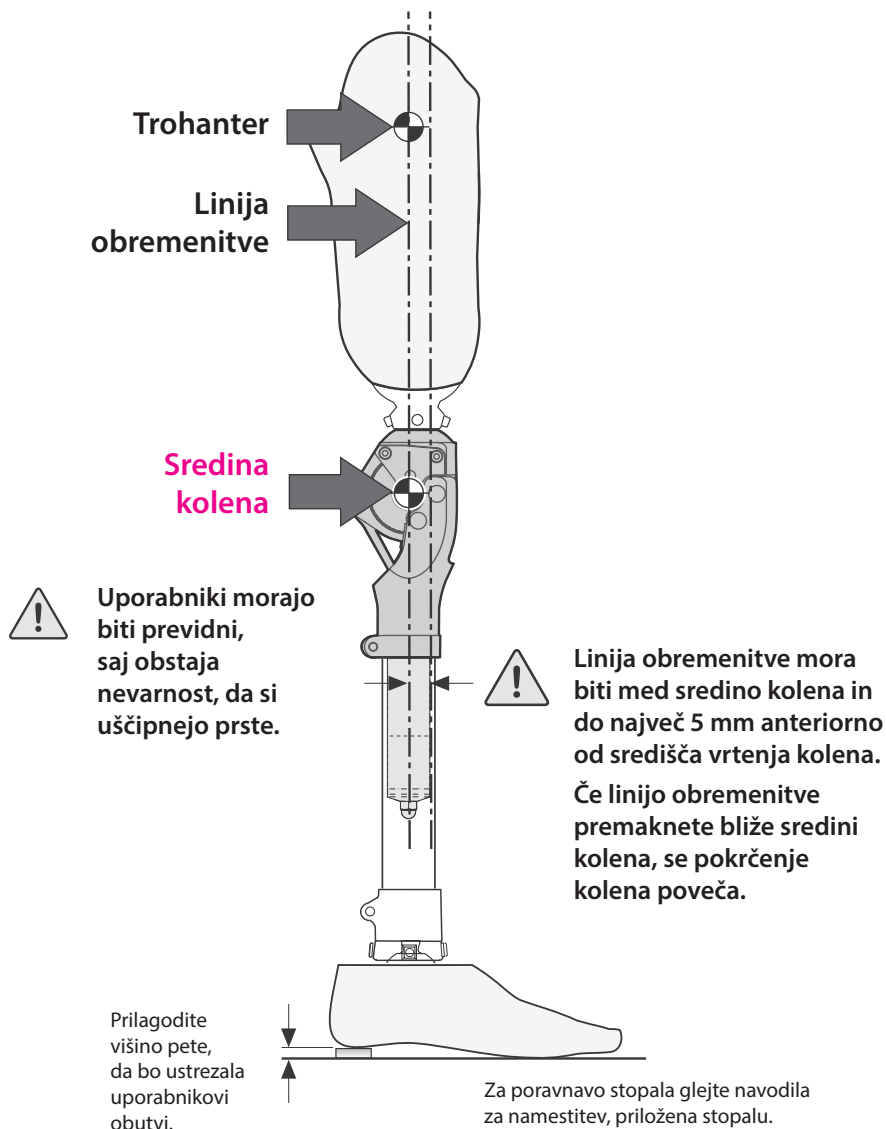


Samo za uporabo pri temperaturi med -15°C in 50°C

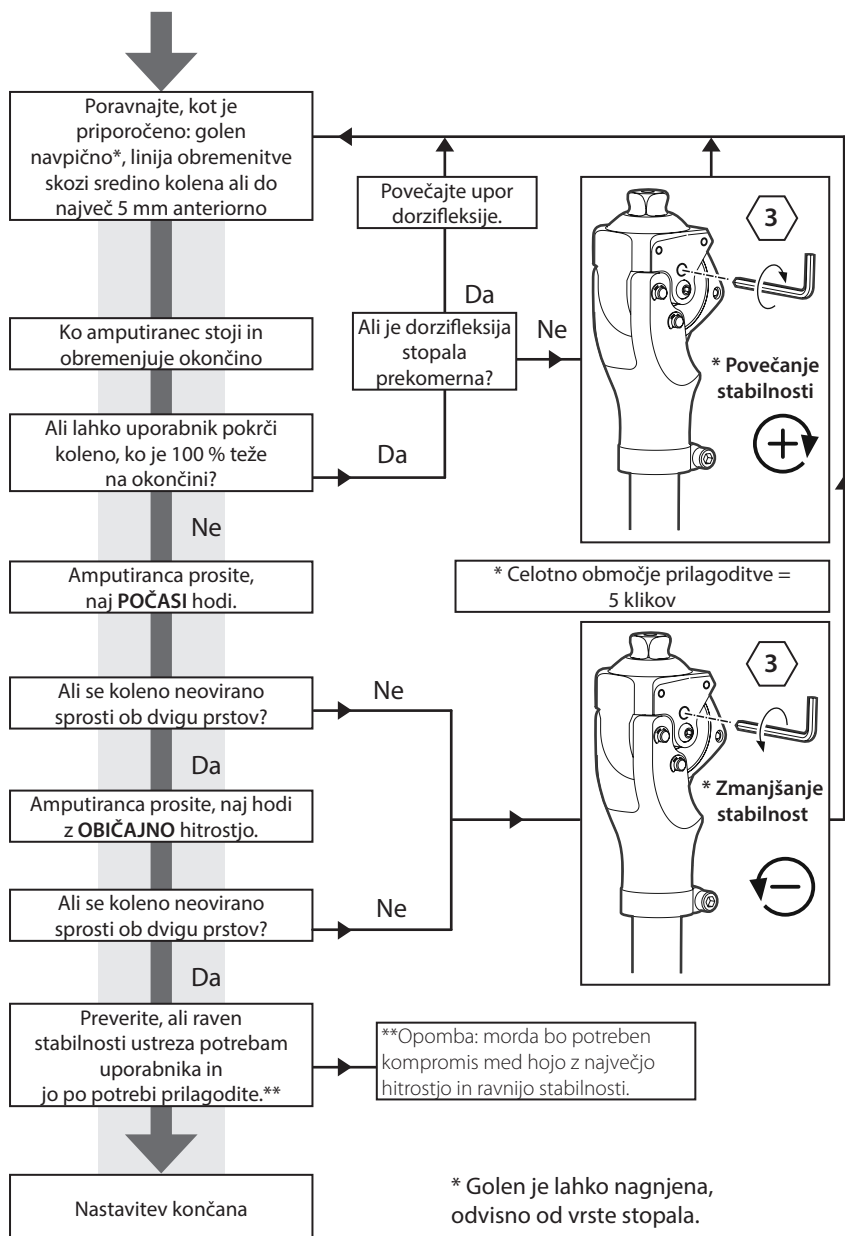
Primerno za uporabo na prostem

7 Namizna poravnava

Pri poravnavanju proteze za uporabo s pripomočkom je zelo pomemben položaj linije obremenitve. Koleno mora biti poravnano tako, da bo geometrično stabilno. Ko je fleksija ležišča povsem prilagojena, mora linija obremenitve potekati skozi sredino trohanterja in kolena ali vzporedno tej liniji do največ 5 mm anteriorno od sredine kolena.



8 Pripomoček za poravnavo in nastavev stabilnosti

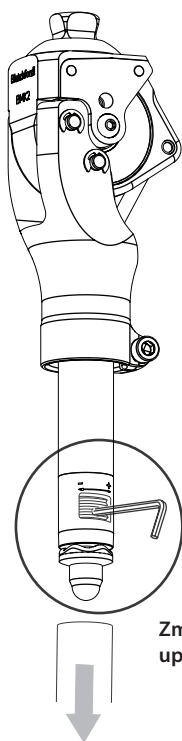


9 Dinamična poravnava

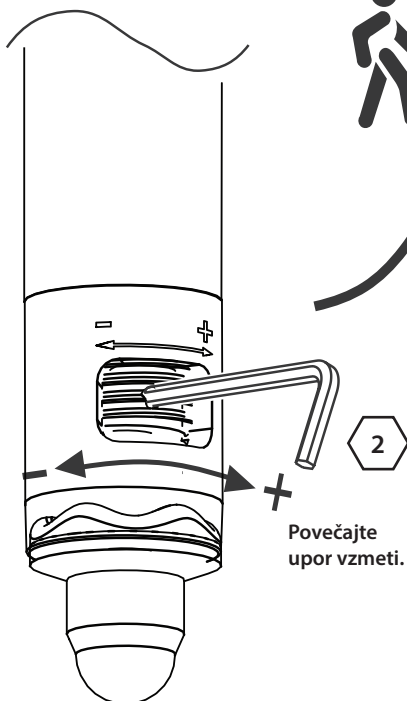
Nastavitev nadzora nihanja (prednapetost podaljška)

Opomba: pri ročnem upravljanju je mogoče aktivacijo blažilnika občutiti tik pred popolnim iztegom, kar je povsem normalno.

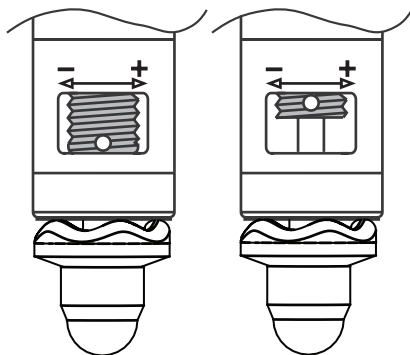
Situacija	Rešitev
Dvig pete je med nihanjem previsok ali pa se pripomoček med nihanjem ne iztegne do konca.	Povečajte upor vzmeti.
Dvig pete je med nihanjem prenizek ali pa uporabnik občuti končne prislone.	Zmanjšajte upor vzmeti.



Zmanjšajte
upor vzmeti.



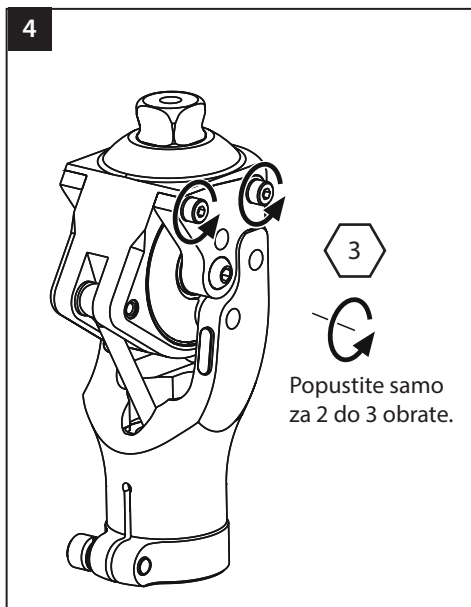
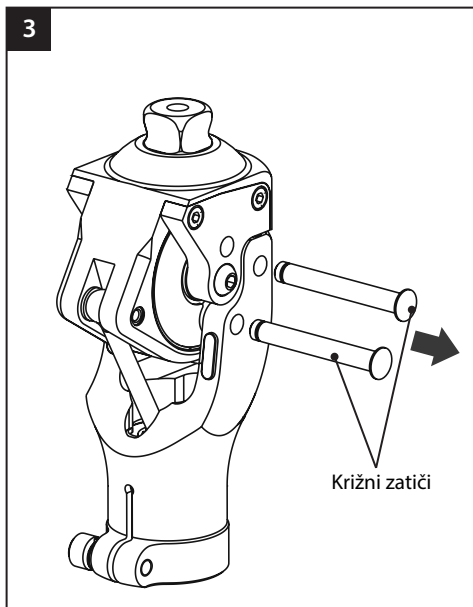
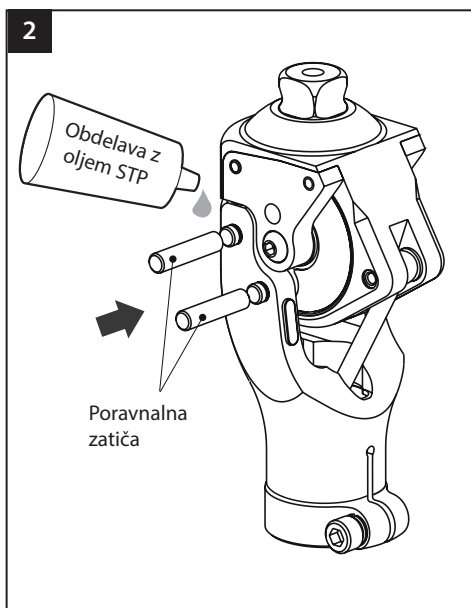
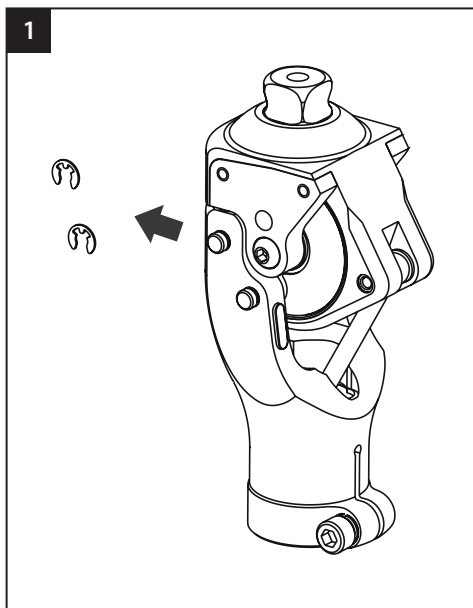
Povečajte
upor vzmeti.

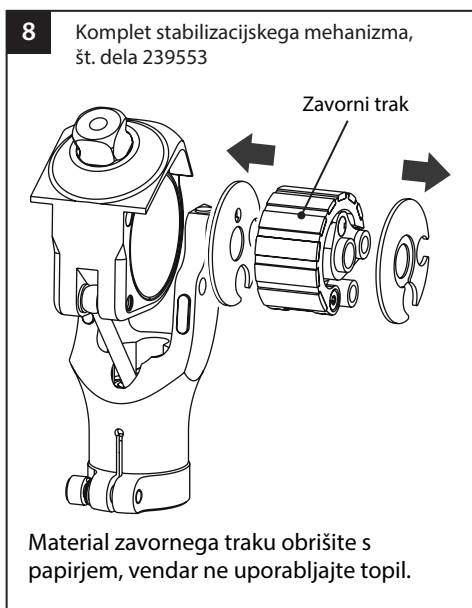
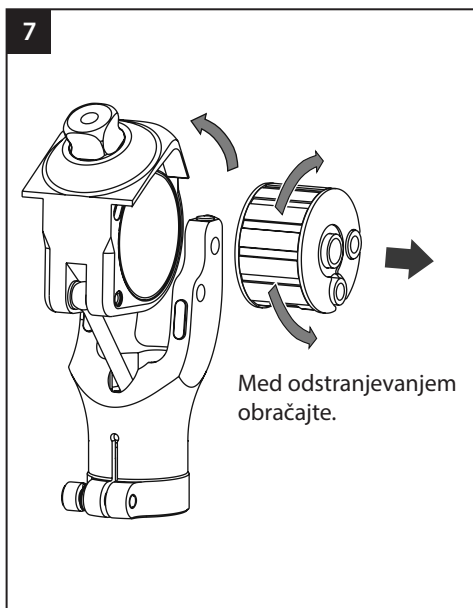
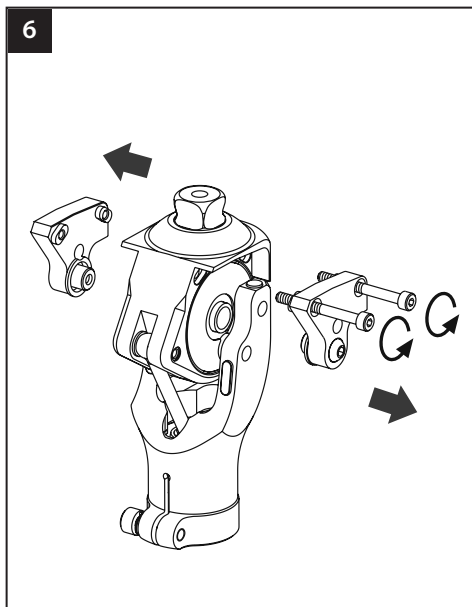
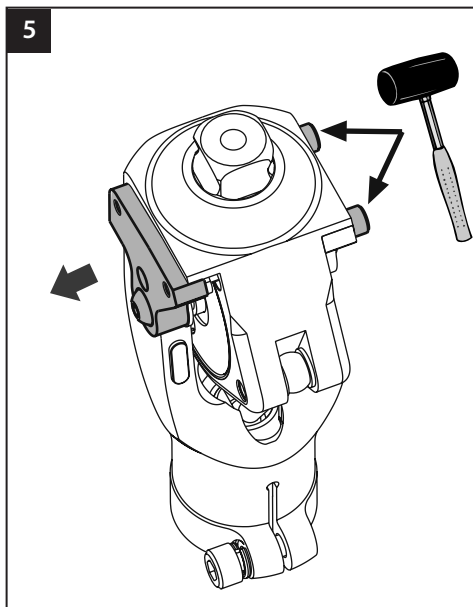


10 Vzdrževanje stabilizacijskega mehanizma

⚠ Vedno uporabljajte primerno zaščitno opremo, vključno z odsesovalnimi napravami.

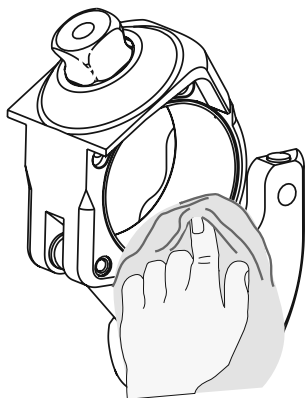
⚠ Bodite pozorni, saj obstaja nevarnost, da se vam prsti ujamejo.





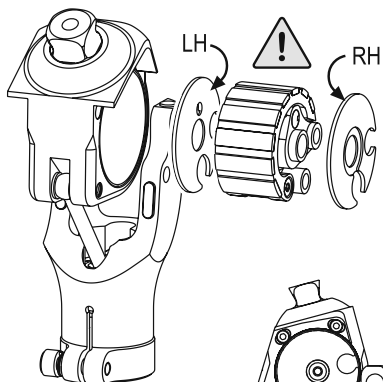
9

Očistite izvrtino s primernim topilom.



10

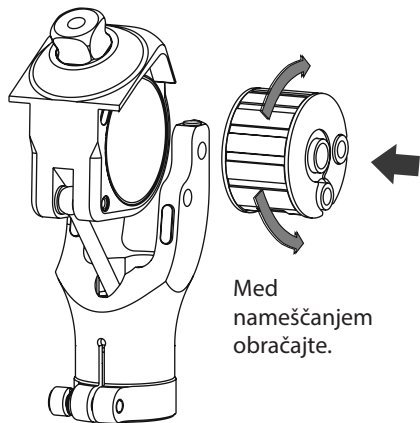
Ponovno sestavljanje



Upoštevajte usmerjenost mehanizma.

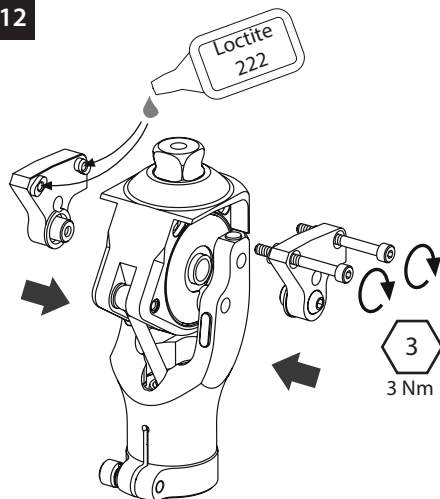


11



Med nameščanjem obračajte.

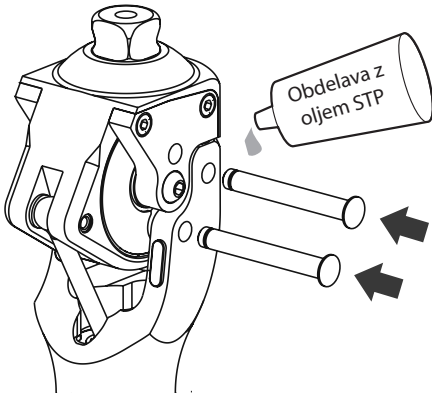
12



3
3 Nm

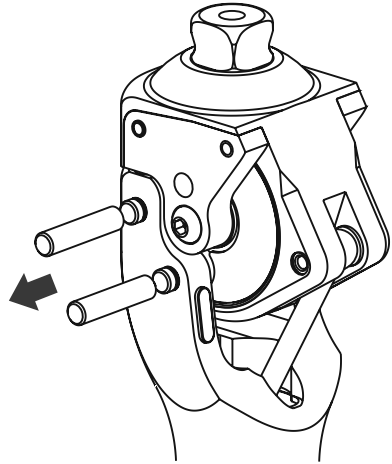
13

Na križne zatiče nanesite tanek sloj maziva (št. dela 928105).

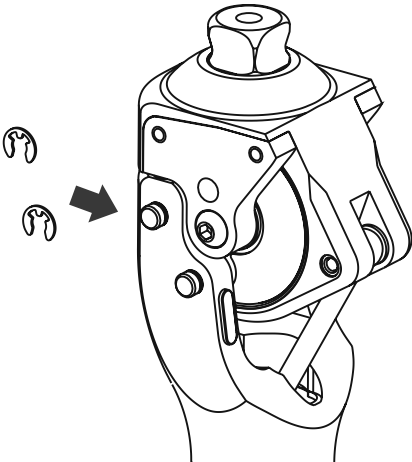


Pazite, da mazivo ne prodre v zavorni boben. To lahko povzroči nestabilnost pripomočka.

14



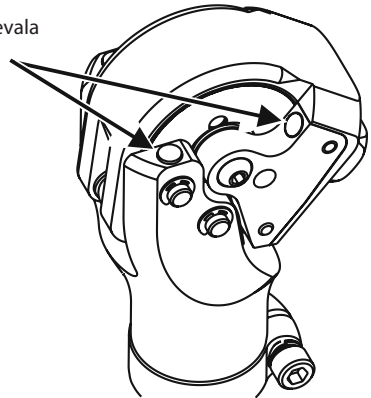
15



16

Vsa 4 omejevala iztega je treba menjavati letno. Komplet omejeval iztega, št. dela 239453

Omejevala iztega



Po vzdrževanju je pomembno, da preverite uporabnikovo nastavitve stabilnosti. Glejte diagram poteka v poglavju Napotki za poravnavo in nastavitve stabilnosti.

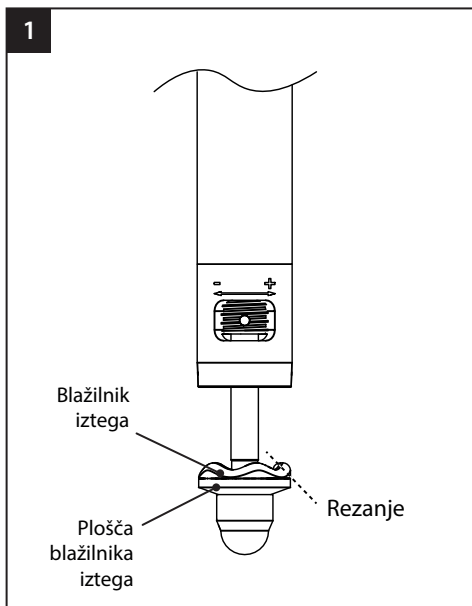
11 Vzdrževanje blažilnika iztega



Vedno uporabljajte primerno zaščitno opremo, vključno z odesovalnimi napravami.

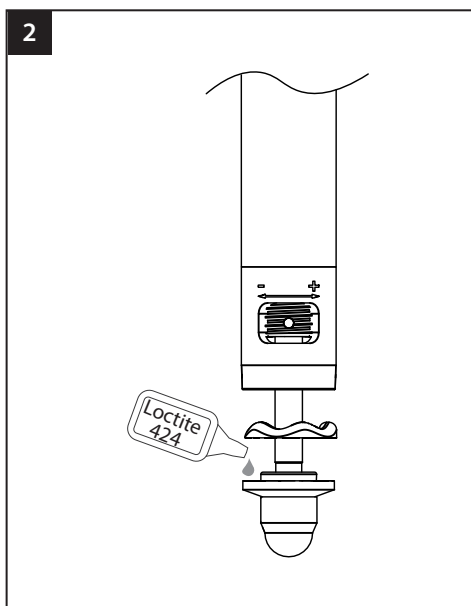


Bodite pozorni, saj obstaja nevarnost, da se vam prsti ujamejo.



Z nožem izrežite in odstranite stari blažilnik iztega.

S primernim toplilom očistite zgornjo površino plošče blažilnika iztega.



Raztegnite nov blažilnika iztega čez ploščo blažilnika iztega.

Pritrdite blažilnik iztega na ploščo blažilnika iztega z Loctite 424.

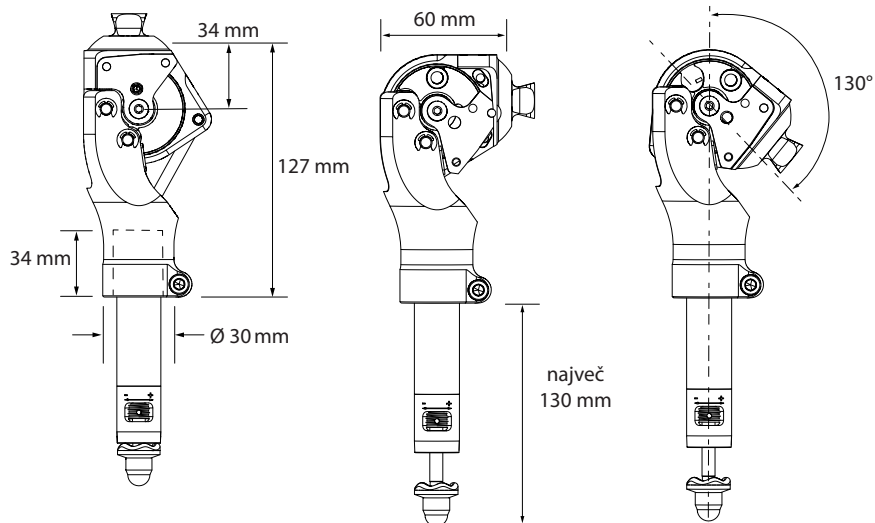
12 Odpravljanje napak

Težava	Rešitev
Prekomerni zvok iz kolena.	Očistite zavorni trak in zavorni boben. Na vrtljive zatiče nanesite mazivo. Za postopke glejte razdelek 10 <i>Vzdrževanje stabilizacijskega mehanizma</i> .
Koleno se ne stabilizira.	Preverite prilagoditev stabilnosti. Glejte razdelek 8 <i>Pripomoček za poravnavo in nastavitev stabilnosti</i> . Očistite zavorni boben. Preverite, ali so zavorne obloge obrabljene in zamenjajte stabilizacijski mehanizem, če je zadnji rob zavore poškodovan. Glejte razdelek 10 <i>Vzdrževanje stabilizacijskega mehanizma, kjer so opisani postopki</i> .
Koleno se ne sprosti.	Preverite prilagoditev stabilnosti. Glejte razdelek 8 <i>Pripomoček za poravnavo in nastavitev stabilnosti</i> .

13 Tehnični podatki

Temperaturno območje za uporabo in hrambo:	-15 °C do 50 °C
Teža komponente:	580 g
Priporočena stopnja aktivnosti:	2
Največja teža uporabnika:	125 kg
Proksimalna prilagoditev:	Vrtljiv moški piramidni adapter (Blatchford)
Distalna pritrditev:	Cevna objemka, premer 30 mm (Blatchford)
Višina sestava:	127 mm
Proksimalno od piramidnega adapterja do distalnega konca cevi	(+130 mm)
[Glejte <i>Namestitvena dolžina</i> na strani 35]	

Namestitvena dolžina





14 Podatki za naročanje

Primer naročila

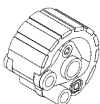


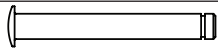

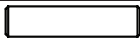
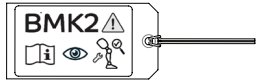

BMK2

14.1 Nadomestni deli


Komplet omejeval iztega 239453

Opis	Kol.	Slika
Omejevalo iztega BMK2	4	
Navodila za namestitvev	1	


Komplet stabilizacijskega mehanizma 239553

Opis	Kol.	Slika
Kompaktni stabilizacijski mehanizem	1	
Protiprašni pokrov, levi	1	
Protiprašni pokrov, desni	1	
Križni zatič	2	
Držalo zunanjega obroča "E"	2	
Poravnalni zatič	2	
Opozorilna oznaka za nastavev BMK2	1	
Navodila za namestitev	1	

Blažilnik iztega

Opis	Kol.	Številka dela	Slika
Blažilnik iztega	1	B-0000021	

Potrošni material

Opis	Kol.	Številka dela	Slika
Obdelava z oljem STP	Po potrebi	928105	
Varovalna masa za vijake Loctite 222	Po potrebi	926001	
Lepilo Loctite 424	Po potrebi	926104	

Odgovornost

Proizvajalec priporoča, da se pripomoček uporablja samo pri specifikiranih pogojih in v predvidene namene. Pripomoček je treba vzdrževati v skladu z navodili, priloženimi pripomočku. Proizvajalec ne prevzema odgovornosti za morebitne neželene posledice, nastale zaradi kakršnih koli kombinacij komponent, ki jih ni odobril.

Skladnost CE

Ta izdelek je v skladu z zahtevami evropske Uredbe EU 2017/745 o medicinskih pripomočkih. Ta izdelek je klasificiran kot izdelek razreda I v skladu z merili za klasifikacijo, navedenimi v prilogi VIII Uredbe. ES-izjava o skladnosti je na voljo na naslednjem spletnem naslovu: www.blatchford.co.uk



Medicinski pripomoček



Samo za enega bolnika –
za večkratno uporabo

Združljivost

Kombiniranje z izdelki znamke Blatchford je odobreno na osnovi preizkusov v skladu z ustreznimi standardi in uredbo o medicinskih pripomočkih, vključno s strukturnim testom, dimenzijsko združljivostjo in nadzorovano učinkovitostjo med uporabo.

Pri kombinacijah z alternativnimi izdelki z oznako CE je treba upoštevati dokumentirano lokalno oceno tveganja, ki jo opravi zdravnik.

Garancija

Ta pripomoček ima 24-mesečno garancijo od datuma prvotnega nakupa, razen če je navedeno drugače. Kompakten stabilizacijski mehanizem ima 12-mesečno garancijo od datuma prvotnega nakupa, razen če je navedeno drugače. Obraba zavornega traku ni vključena v garancijo. Uporabnik se mora zavedati, da zaradi sprememb ali prilagoditev, ki niso izrecno odobrene, garancija, uporabne licence in izjeme morda ne bodo veljavne. Za trenutno celotno garancijsko izjavo, vključno z opredelitvijo obrabe, obiščite spletno stran podjetja Blatchford.

Prijava resnih nesreč

V malo verjetnem primeru resnih nesreč, nastalih v povezavi s tem pripomočkom, je treba o dogodku obvestiti proizvajalca in pristojne oblasti v vaši državi.

Okoljski vidiki

Kjer je mogoče, je treba komponente reciklirati v skladu z veljavnimi lokalnimi predpisi za obravnavo odpadkov.

Nalepka na embalaži

Svetujemo vam, da nalepko na embalaži nameščenega pripomočka shranite za morebitno uporabo v prihodnje.

Izjave o blagovnih znamkah

Blatchford je registrirana blagovna znamka podjetja Blatchford Products Limited.

Uradni naslov proizvajalca



Blatchford Products Limited, Lister Road, Basingstoke RG22 4AH, Združeno kraljestvo

Съдържание.....	38
1 Описание и предназначение.....	39
2 Информация относно безопасността.....	40
3 Устройство.....	41
4 Функция.....	41
5 Поддръжка.....	42
6 Ограничения в употребата.....	43
7 Центроване на стенд.....	44
8 Съвети относно центроване и регулиране на стабилността.....	45
9 Динамично центроване.....	46
10 Поддръжка на стабилизиращия механизъм.....	47
11 Поддръжка на буфера за екстензия.....	51
12 Отстраняване на неизправности.....	52
13 Технически данни.....	52
14 Информация за поръчка.....	53
14.1 Резервни части.....	53

1 Описание и предназначение

Настоящите инструкции са предназначени за лекаря/протезиста.

Терминът „изделие“ в настоящите инструкции за употреба се отнася за протезно коляно ВМК2.

Уверете се, че потребителят е разбрал всички инструкции за употреба, като е обърнал специално внимание на информацията относно поддръжката и безопасността.

Потребителите трябва да преминат обучение относно походката, преди да използват изделието.

Приложение

Настоящото изделие се използва само като част от протеза за долен крайник.

Изделието представлява компактно протезно коляно, активирано от тежестта на тялото, с регулируема пружина за подпомагане на екстензията.

Това изделие е предназначено за един потребител.

Характеристики

- Регулируем контрол на опорната фаза, активиран от тежестта на тялото
- Регулируем контрол на екстензията, включващ омекотяване на силния удар (размах) в крайната махова фаза
- Максимален ъгъл на флексия 130°

Ниво на мобилност

Настоящото изделие е предназначено само за потребители с ниво на мобилност 1 и 2.

За ограниченията за максимално тегло на потребителя вижте раздел 13 *Технически данни*.

Ниво на мобилност 1

Потребителят е в състояние или има потенциал да използва протезата за придвижване или ходене по равни повърхности при равномерен ритъм на крачката. Характерно за пациентите с ограничена и неограничена способност за движение, предимно на закрито.

Ниво на мобилност 2

Потребителят е в състояние или има потенциал да преодолява малки препятствия на околната среда, като бордюри, стъпала или неравни повърхности. Характерно за пациентите с ограничена способност за движение, които се придвижват на открито.

Ниво на мобилност 3

Потребителят е в състояние или има потенциал да се придвижва с различен ритъм на крачката. Характерно за пациенти, които се придвижват на открито без ограничения, които са способни да преодоляват повечето препятствия в околната среда и може да имат потребност от професионална, терапевтична или тренировъчна активност, която налага използване на протезата извън рамките на обикновеното придвижване.

Ниво на мобилност 4

Потребителят е в състояние или има потенциал да се придвижва с протезата извън рамките на базовите умения за придвижване, което е свързано с повишено натоварване, напрежение или ниво на енергия. Характерно за изискванията към протезите на деца, активни възрастни или спортисти.

Противопоказания

Настоящото изделие не е подходящо за потребители с:

- изключителна мускулна слабост, контрактури, които не могат да бъдат правилно компенсирани, или проприоцептивна дисфункция, включително нарушения в равновесието;
- нестабилност или патология в ставите на другия крайник;
- усложнени състояния, свързани с множество увреждания;
- потребители, включително такива с двустранна ампутация в областта на бедрото, за които е необходима функция на огъване от коляното, за да могат да слизат по стъпала или да сядат. Това може да доведе до повреда на спирачния механизъм, което от своя страна да окаже неблагоприятен ефект върху стабилността и издръжливостта.

Клинични ползи

- Стабилизирането на коляното се активира плавно при наличие на опороспособност и дава сигурност в изправено положение и при преминаване през неравен терен. След това механизмът се освобождава безпроблемно при отделяне на пръстите от повърхността.
- Гъвкавото действие на стабилизиращия механизъм осигурява ограничена флексия през опорната фаза, което намалява удара при докосване на повърхността с петата.

2 Информация относно безопасността



Този предупредителен символ обозначава важна информация относно безопасността, на която трябва да се обърне внимание.



Всякакви промени в движението или функционирането на коляното, като например ограничения в движението, скованост или необичайни шумове, трябва да се докладват незабавно на лекаря/протезиста. В края на маховата фаза, непосредствено преди докосването на повърхността от петата, е възможна поява на шум, дължащ се на приспособлението за подпомагане на екстензията, докато крайникът достигне пълна екстензия.



Винаги използвайте парапет при слизане по стълби, както и при всеки друг случай, ако е възможно.

Избягвайте излагане на прекалено високи и/или прекалено ниски температури.



Изделието не е предназначено за ползване във вода или по време на душ. Подсушете незабавно протезното коляно в случай на контакт с вода.



Изделието не е подходящо за екстремни спортове, бягане или състезателно колоездене, зимни спортове, големи наклони и стъпала. Предприемането на всякакви такива действия е изцяло на собствен риск на потребителите.



Монтирането, поддръжката и ремонтването на изделието трябва да се извършва единствено от медицински специалист с подходяща квалификация.



При техническо обслужване на изделието се уверете, че в спирачния барабан няма смазка.



Когато шофирате, използвайте само превозни средства с подходящо допълнително оборудване. Всички лица трябва да спазват съответните закони за движение по пътищата при управление на моторни превозни средства.



Потребителят не трябва да регулира или да променя настройките на изделието.



Препоръчва се потребителят да се свърже със своя лекар/протезист, ако състоянието му се промени.



Необходимо е винаги да внимавате да не заклещите пръстите си.



Всякакви големи промени във височината на петата след финализиране на центроването може да окажат неблагоприятен ефект върху функционирането на протезния крайник.

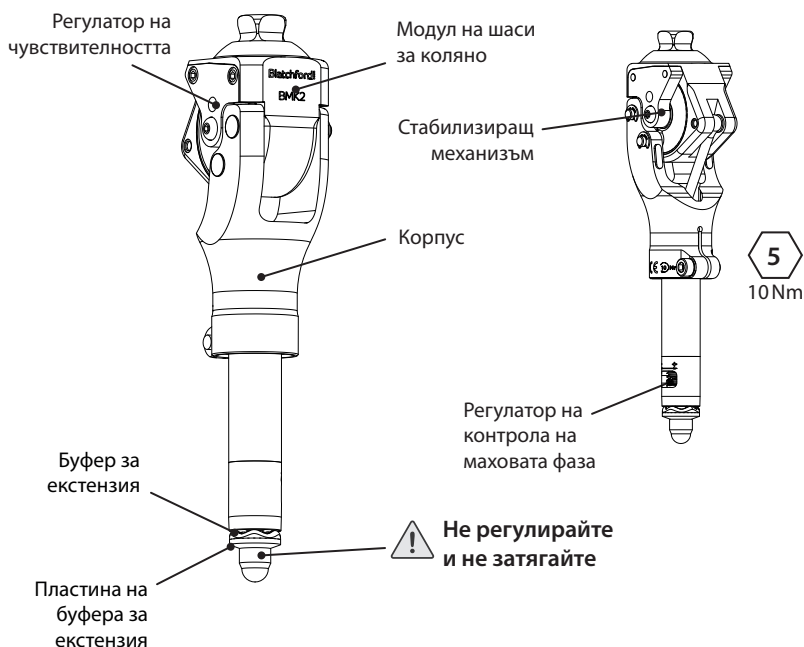
3 Устройство

Основни части

- Корпус (алуминий, неръждаема стомана, полиуретан, филц)
- Модул на шаси за коляно (алуминий, неръждаема стомана)
- Стабилизиращ механизъм (алуминий, бронз, хомополимер ацетал, полиуретан, синтетичен каучук)

Забележка... фрикционният материал в стабилизиращия механизъм не съдържа азбест.

Обозначение на елементите



4 Функция

Коляното се активира от тежестта на тялото и чувствителността може да бъде адаптирана според необходимостта от стабилност на потребителя.

Контролт на маховата фаза се регулира чрез промяна на компресията на спираловидна пружина, която контролира издигането на петата и въздейства върху екстензията.

Изделието осигурява флексия в опорната фаза при активиране на спирачката в резултат на еластичността на механизма със спирачна лента.

5 Поддръжка

Поддръжката трябва да се извършва от компетентно лице.

Препоръчва се ежегодно да се извършва следната поддръжка:

- Проверете затегнатостта на всички винтове освен винтовете за регулиране (вж. раздел „Устройство“) (НЕ затягайте калпаковидната гайка в дисталния край).
- Почистете спирачната накладка и сменете ограничителите на екстензията (вж. раздел 10 *Поддръжка на стабилизиращия механизъм* за описание на процедурата).
- В случай на необичаен шум като скърцане и свистене и/или намалена стабилност, извършете поддръжка на стабилизиращия механизъм – вж. раздел 10 *Поддръжка на стабилизиращия механизъм*. Свържете се с представител на Blatchford, ако шумът продължи.
- Износването на буфера за екстензия е приемливо. Ако има прекомерен шум при пълна екстензия, сменете буфера за екстензия. Вижте Раздел 11 *Поддръжка на буфера за екстензия*.
- Проверете за прекомерен медиално-латерален луфт на шасито.
- Ако задният ръб на накладката на спирачната лента е износен до пластмасата на спирачната лента, сменете цялата спирачна лента (Забележка: индивидуалните подложки не могат да бъдат заменени).
- Уверете се, че ориентацията на спирачната лента е правилна при повторното сглобяване. Винаги проверявайте стабилността преди употреба.

На потребителя трябва да се предостави наличният Наръчник на потребителя и да бъде инструктиран да съобщава на лекаря/протезиста за:

- всякакви промени в телесното тегло или нивото на мобилност;
- всякакви промени във функционирането на изделието.

Промените във функционирането на изделието може да включват:

- ограничени махове;
- промени в плавността на движенията в махова фаза;
- намалена стабилност в опорната фаза;
- необичаен шум.

Почистване

Използвайте навлажнена кърпа и мек сапун за почистване на външните повърхности. НЕ използвайте агресивни почистващи препарати. Подсушете добре преди употреба.

6 Ограничения в употребата

Срок на експлоатация

Гаранционният срок покрива експлоатационния срок на продукта. Необходимо е извършване на индивидуална оценка на риска въз основа на мобилността и употребата.

Повдигане на тежести

Ограниченията зависят от теглото на потребителя и неговото ниво на мобилност.

Носенето на тежести от потребителя трябва да бъде според индивидуалната оценка на риска.

Забележка... Изделието се активира от тежестта на тялото и носенето на тежести може да доведе до по-лесно активиране на помощния механизъм в опорната фаза.

Околна среда

Избягвайте излагане на изделието на корозивни елементи, като вода, киселини и други течности. Освен това избягвайте абразивна среда, например среда, съдържаща пясък,

тъй като това може да доведе до преждевременно износване.

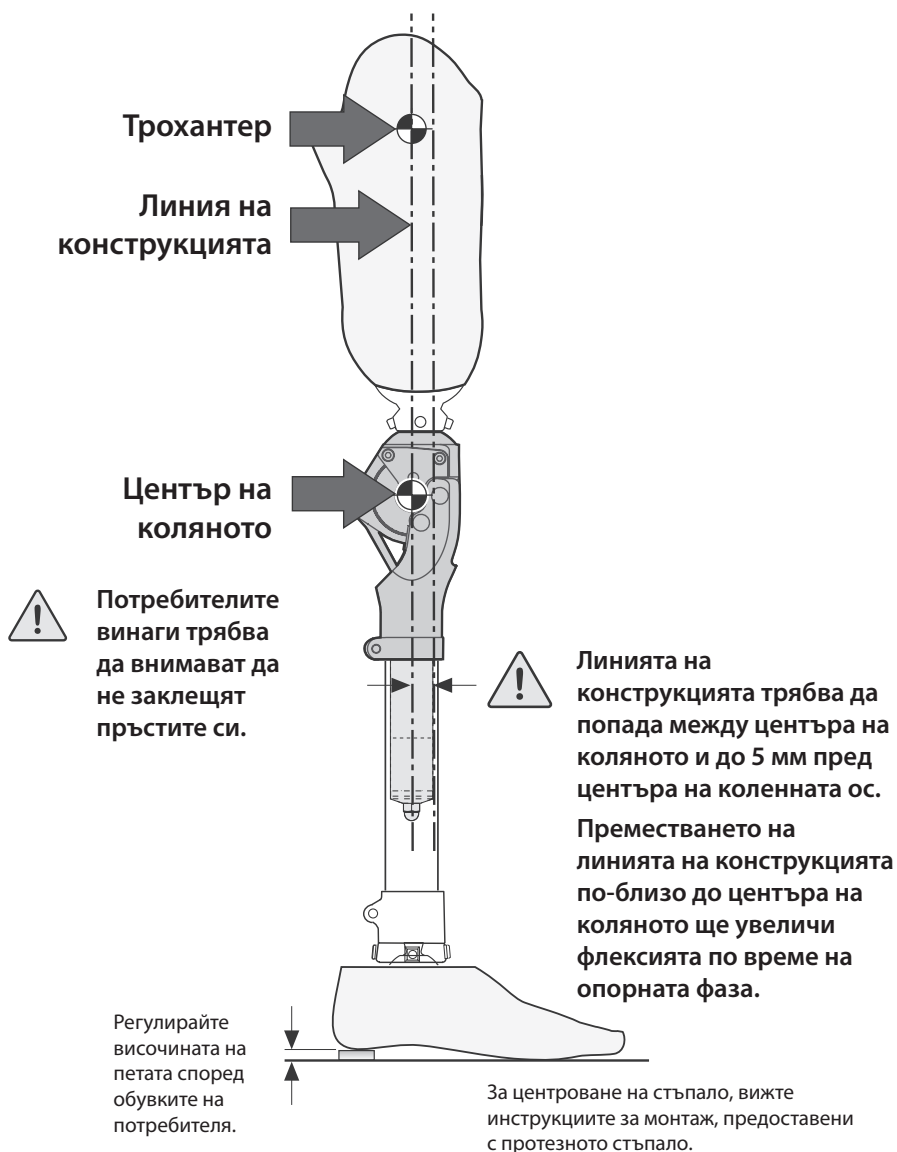


Изделието може да се използва само при температура между -15 °C и 50 °C

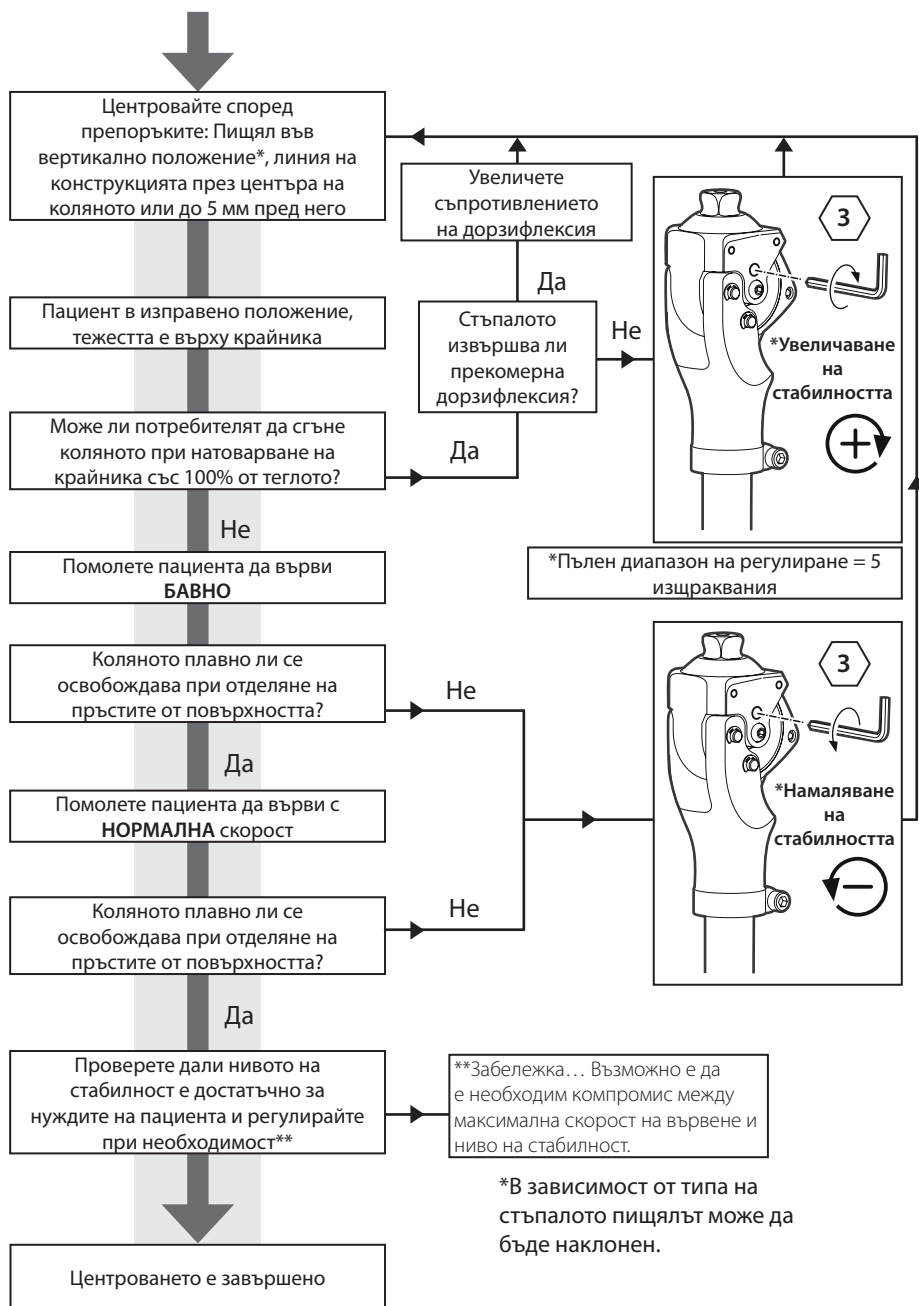
Подходящо за употреба на открито

7 Центроване на стъпало

Позицията на линията на конструкцията е от критично значение при центроване на протезата за употреба с изделието. Коляното трябва да бъде центровано така, че да бъде геометрически стабилно. След пълно приспособяване на флексията в приемната гилза линията на конструкцията трябва да минава през трохантера и центъра на коляното или през линия, успоредна на тази, на разстояние до 5 мм пред центъра на коляното.



8 Съвети относно центроване и регулиране на стабилността

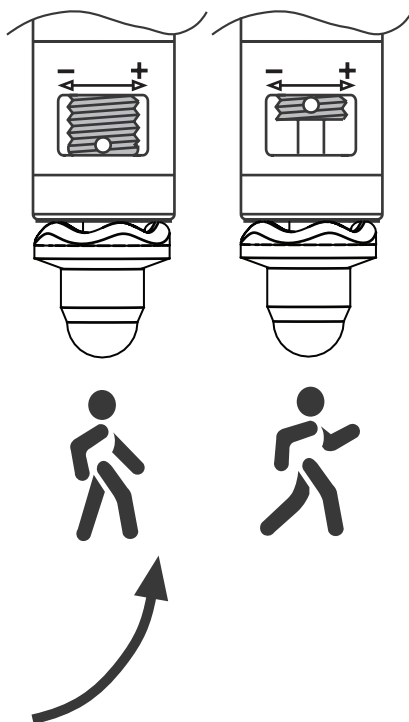
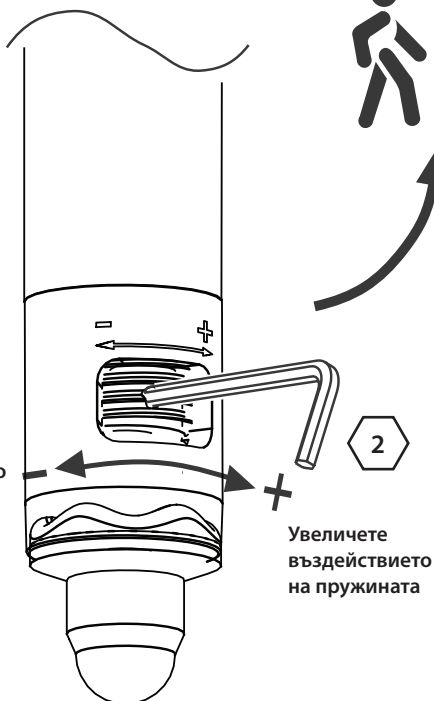
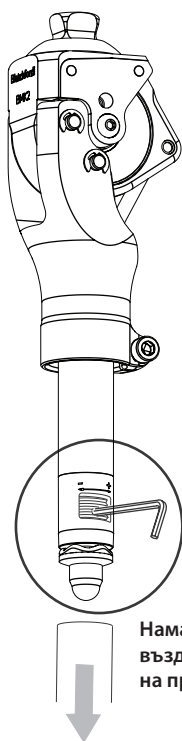


9 Динамично центроване

Регулиране на контрола на маховата фаза (въздействие върху екстензията)

Забележка... При ръчно управление активирането на омекотяването на силния удар в крайната махова фаза може да бъде усетено непосредствено преди пълна екстензия. Това е напълно нормално.

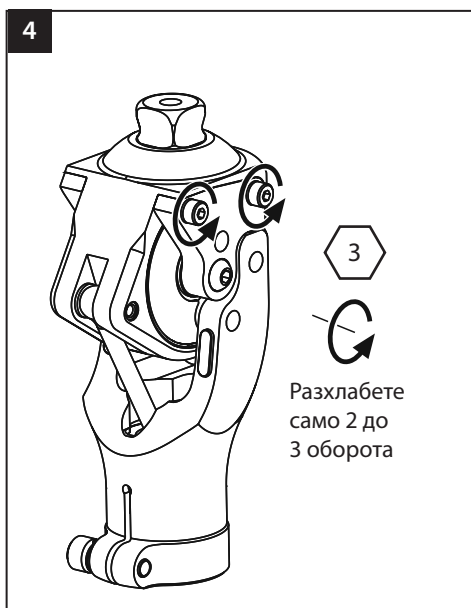
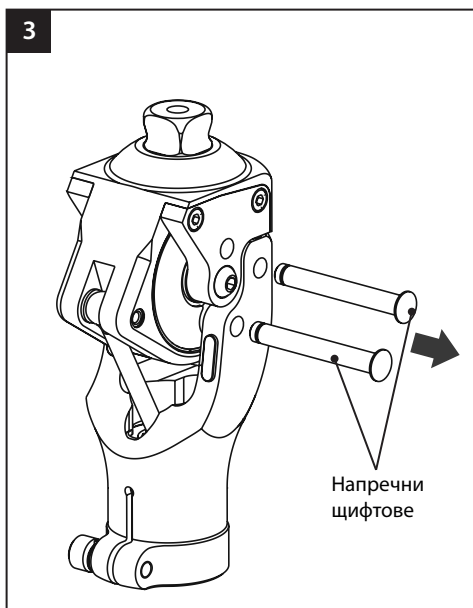
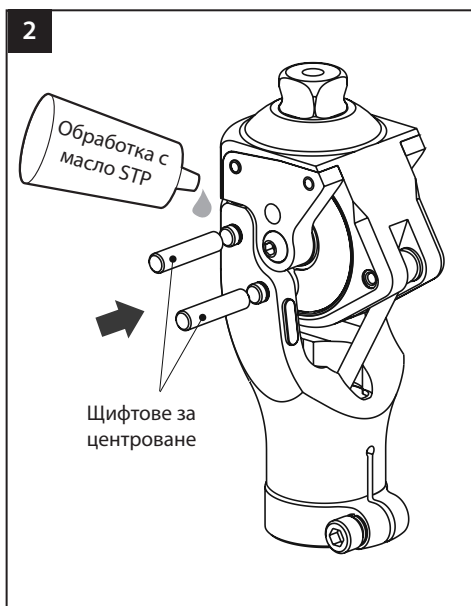
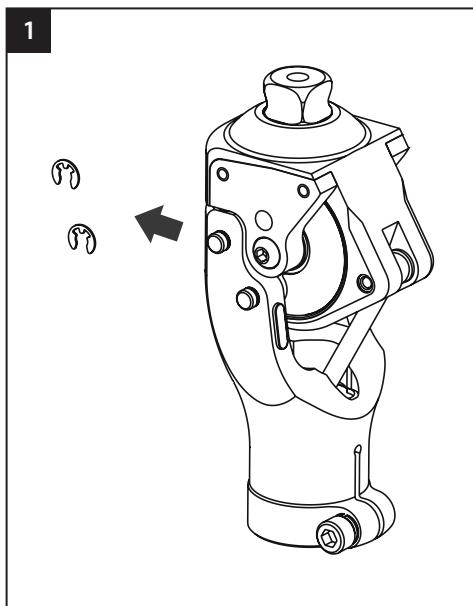
Ситуация	Решение
Петата се вдига прекалено високо по време на маховата фаза или изделието не се разгъва напълно по време на маховата фаза.	Увеличете въздействието на пружината
Петата се вдига прекалено ниско по време на маховата фаза или потребителят усеща силен удар в крайната махова фаза.	Намалете въздействието на пружината

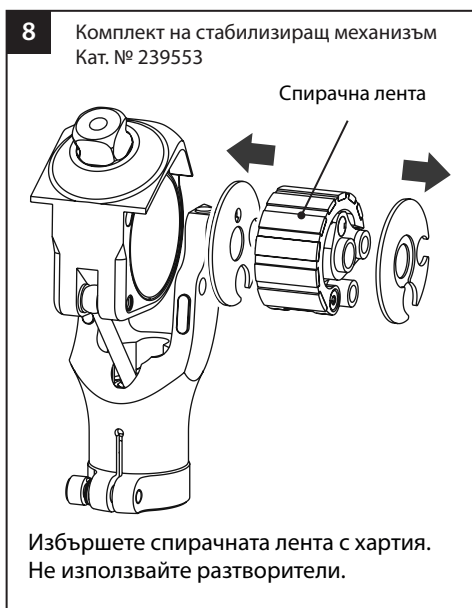
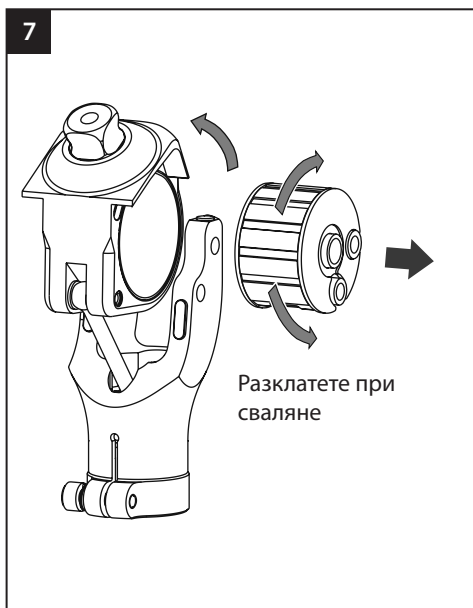
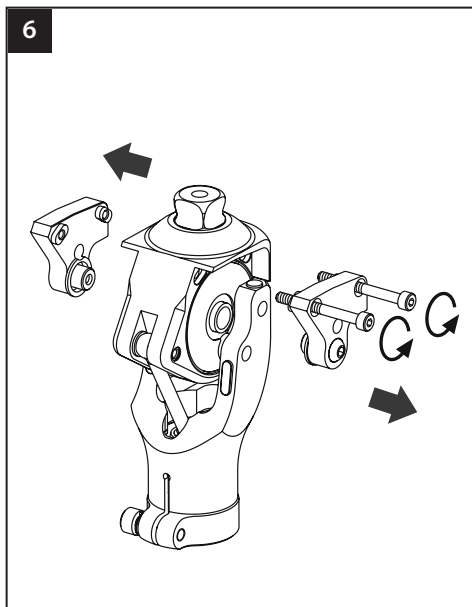
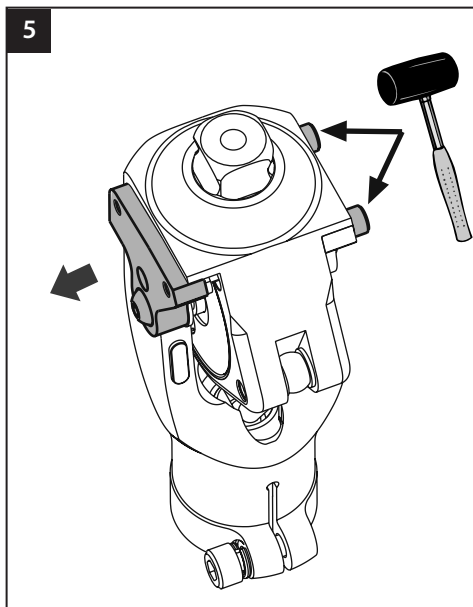


10 Поддръжка на стабилизиращия механизъм

⚠ Използвайте подходящи лични предпазни средства за осигуряване на здравословни и безопасни условия на труд през цялото време, включително екстрактори.

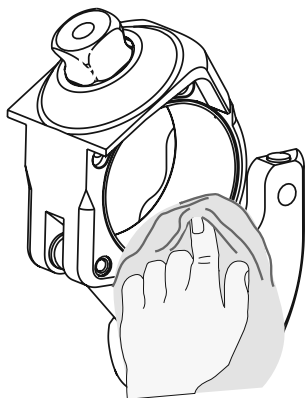
⚠ Необходимо е винаги да внимавате да не заклежите пръстите си.





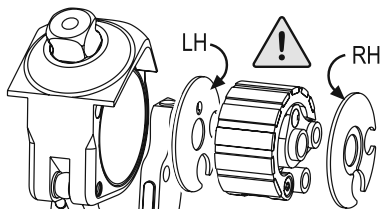
9

Почистете отвора с подходящ разтворител.

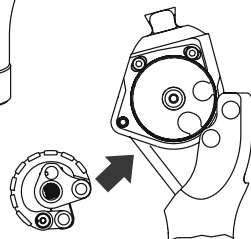


10

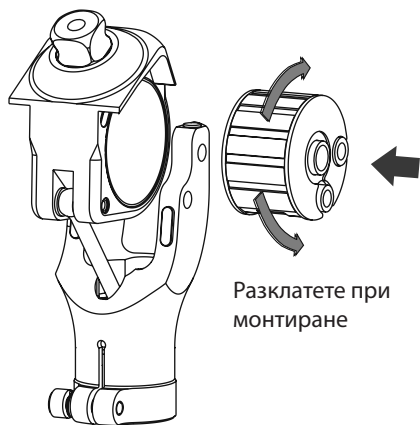
Повторно монтиране



Обърнете внимание на ориентацията на механизма

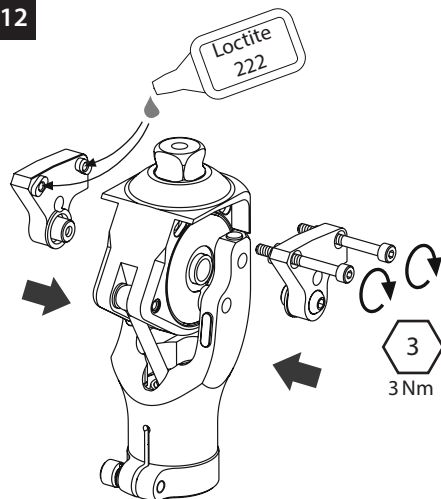


11



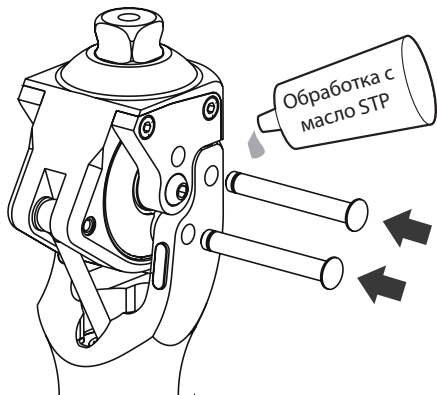
Разклатете при монтиране

12



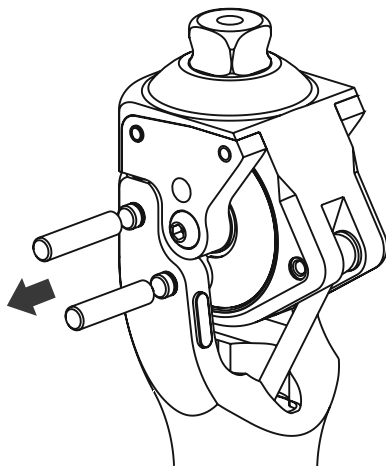
3
3 Nm

- 13** Нанесете тънък слой смазка (Кат. № 928105) върху напречните щифтове.

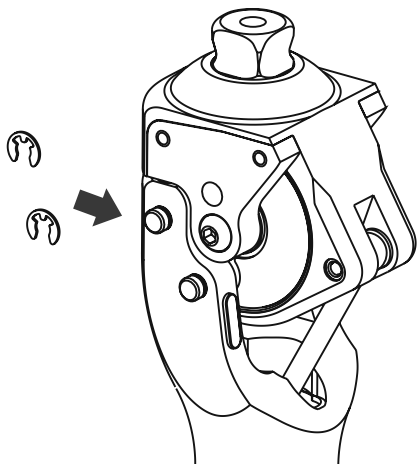


! Уверете се, че смазката не прониква в спирачния барабан. Това може да доведе до нестабилност на изделието.

14



15



16

Сменяйте ежегодно всички 4 ограничителя на екстензията. Комплект ограничителя на екстензия Кат. № 239453

Ограничители на екстензия



След поддръжка е важно да проверите настройките за стабилността на потребителя. Вижте диаграмата в раздел „Съвети за центроване и регулиране на стабилността“.

11 Поддръжка на буфера за екстензия



Използвайте подходящи лични предпазни средства за осигуряване на здравословни и безопасни условия на труд през цялото време, включително екстрактори.

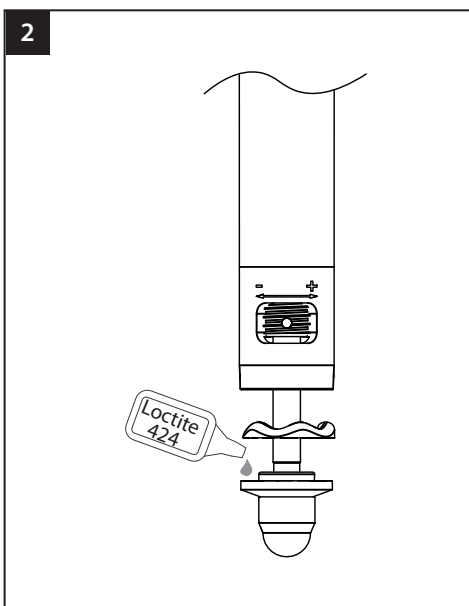


Необходимо е винаги да внимавате да не заклежите пръстите си.



С помощта на нож отрежете и отстранете стария буфер за екстензия.

Почистете горната повърхност на пластината на буфера за екстензия с подходящ разтворител.



Опънете новия буфер за екстензия върху пластината на буфера за екстензия.

Закрепете буфера за екстензия към пластината на буфера за екстензия с Loctite 424.

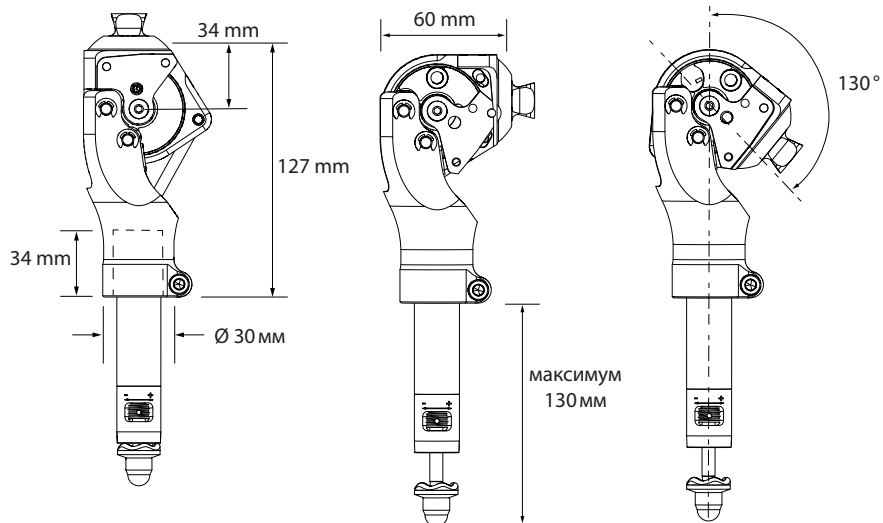
12 Отстраняване на неизправности

Признак	Решение
Прекомерен шум от коляното.	Почистете спирачната лента и спирачния барабан. Нанесете смазка върху шарнирните оси. Вижте Раздел 10 <i>Поддръжка на стабилизиращия механизъм</i> за процедурите.
Коляното не се стабилизира.	Проверете регулирането на стабилността. Вижте Раздел 8 <i>Съвети относно центроване и регулиране на стабилността</i> . Почистете спирачния барабан. Проверете спирачните накладки за износване и сменете стабилизиращия механизъм, ако задният ръб на спирачката е повреден. Вижте Раздел 10 <i>Поддръжка на стабилизиращия механизъм за процедурите</i> .
Коляното не се освобождава.	Проверете регулирането на стабилността. Вижте Раздел 8 <i>Съвети относно центроване и регулиране на стабилността</i> .

13 Технически данни

Температурен диапазон на експлоатация и съхранение:	от -15 °C до 50 °C
Тегло на елемента:	580 г
Препоръчително ниво на мобилност:	2
Максимално тегло на потребителя:	125 кг
Проксимално закрепване за центроване:	Въртяща се входяща пирамида (Blatchford)
Дистално закрепване	Скоба за тръба с диаметър 30 мм (Blatchford)
Височина на конструкцията:	127 мм
Проксимална пирамида към дистален край на тръбата [Вж. <i>Монтажна дължина</i> на страница 53]	(+130 мм)

Монтажна дължина



14 Информация за поръчка

Примерна поръчка

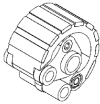


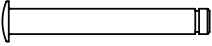


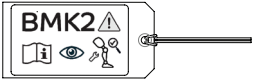

ВМК2

14.1 Резервни части


Комплект ограничители на екстензия 239453

Описание	Брой	Илюстрация
Ограничител на екстензия- ВМК2	4	
Инструкции за монтаж	1	


Комплект на стабилизиращ механизъм 239553

Описание	Брой	Илюстрация
Компактен стабилизиращ механизъм	1	
Капак против прах, ляво	1	
Капак против прах, дясно	1	
Напречен щифт	2	
Фиксиращ външен „Е“ пръстен	2	
Щифт за центроване	2	
Предупредителен етикет за регулиране ВМК2	1	
Инструкции за монтаж	1	

Буфер за екстензия

Описание	Брой	Каталожен номер	Илюстрация
Буфер за екстензия	1	В-0000021	

Консумативи

Описание	Брой	Каталожен номер	Илюстрация
Обработка с масло STP	при нужда	928105	
Осигурител за резби Loctite 222	при нужда	926001	
Лепило Loctite 424	при нужда	926104	

Отговорност

Производителят препоръчва изделието да се използва само при посочените условия и по предназначение. Изделието трябва да се поддържа в съответствие с инструкциите за употреба, предоставени с него. Производителят не носи отговорност за неблагоприятни събития, причинени от комбинации от елементи, които не са одобрени от него.

Маркировка за съответствие СЕ

Този продукт отговаря на изискванията на Регламент (ЕС) 2017/745 за медицинските изделия. Този продукт е класифициран като продукт от клас I според правилата за класификация, описани в Приложение VIII на регламента. ЕС декларацията за съответствие е достъпна на следния интернет адрес: www.blatchford.co.uk



Медицинско изделие



Предназначено за многократна употреба от един пациент

Съвместимост

Комбинирането с продукти на Blatchford е одобрено въз основа на изпитвания в съответствие с приложимите стандарти и Регламент (ЕС) 2017/745 за медицинските изделия, включително изпитване на конструкцията, съвместимост относно размерите и проследяване на функционалността в реални условия.

Комбинирането с други продукти с маркировка СЕ трябва да се извършва с оглед на документираната индивидуална оценка на риска, извършена от специалист.

Гаранция

Гаранцията на изделието е 24 месеца от датата на първоначалната покупка, освен ако не е посочено друго. Гаранцията на компактния стабилизиращ механизъм е 12 месеца от датата на първоначалната покупка, освен ако не е посочено друго. Износването на спирачната лента не е включено в гаранцията. Потребителят трябва да е наясно, че промени или модификации, които не са изрично одобрени, биха могли да доведат до анулиране на гаранцията, лицензите за работа и изключенията. Вижте уебсайта на Blatchford за актуалната пълна декларация за гаранция, включително износването.

Докладване на сериозни инциденти

В малко вероятния случай на сериозен инцидент, свързан с настоящото изделие, инцидентът трябва да се докладва на производителя и на компетентния национален орган.

Екологични аспекти

Когато е възможно, елементите му трябва да се рециклират в съответствие с местните разпоредби за управление на отпадъците.


Запазване на етикета на опаковката

Препоръчва се да запазите етикета на опаковката като документ за доставеното изделие.

Потвърждение за търговска марка

Blatchford е регистрирана търговска марка на Blatchford Products Limited.

Адрес на управление на производителя

 Blatchford Products Limited, Lister Road, Basingstoke RG22 4AH, Обединено кралство

Sadržaj.....	56
1 Opis i predviđena namjena	57
2 Informacije o sigurnosti	58
3 Izvedba.....	59
4 Funkcija.....	59
5 Održavanje.....	60
6 Ograničenja uporabe.....	61
7 Početno poravnanje	62
8 Savjeti za poravnanje i prilagodba stabilnosti.....	63
9 Dinamičko poravnanje	64
10 Održavanje stabilizacijskog mehanizma	65
11 Održavanje prigušnika ekstenzije	69
12 Rješavanje problema.....	70
13 Tehnički podaci	70
14 Informacije za naručivanje.....	71
14.1 Rezervni dijelovi	71

1 Opis i predviđena namjena

Ove su upute namijenjene kliničarima/zdravstvenim djelatnicima.

Izraz *proizvod* u ovim uputama za uporabu odnosi se na koljeno BMK2.

Osigurajte da korisnik u potpunosti shvaća sve upute za uporabu, posebno obrađujući pozornost na informacije o održavanju i sigurnosti.

Korisnici moraju proći trening hoda prije uporabe ovog proizvoda

Primjena

Ovaj se proizvod smije upotrebljavati isključivo kao dio proteze donjeg ekstremiteta.

Proizvod je kompaktno koljeno aktivirano težinom, s prilagodljivim ekstenzijskim pomakom opruge.

Ovo je proizvod namijenjen za jednog korisnika.

Značajke

- Težinom aktivirana prilagodljiva kontrola stava
- Prilagodba kontrole ekstenzijskog pomaka s ugrađenim prigušavanjem krajnje sile udara.
- Maksimalni nagib fleksije 130°

Stupanj aktivnosti

Ovo je proizvod samo za korisnike stupnjeva aktivnosti 1 i 2. Za maksimalnu tjelesnu težinu korisnika pogledajte odjeljak 13 *Tehnički podaci*.

Stupanj aktivnosti 1

Može upotrebljavati ili postoji potencijal upotrebljavanja proteze za transfer ili kretanje na ravnim površinama ujednačenim tempom. Karakteristično za osobu ograničene i neograničene sposobnosti hoda u stambenom prostoru.

Stupanj aktivnosti 2

Može hodati ili postoji potencijal za hod uz sposobnost prelaženja manjih prepreka u okruženju, poput rubnika, stuba ili neravnih površina. Karakteristično za ograničene sposobnosti hoda u vanjskom okruženju.

Stupanj aktivnosti 3

Može hodati ili postoji potencijal za hod promjenjivim tempom. Karakteristično za osobu sa sposobnošću hoda u vanjskom okruženju koja može prelaziti većinu prepreka u okruženju i bavi se radnim, terapijskim ili rekreacijskim aktivnostima koje zahtijevaju složeniju uporabu proteze koja nadilazi jednostavne oblike kretanja.

Stupanj aktivnosti 4

Može hodati ili postoji potencijal za hod s protezom koji nadilazi osnovne sposobnosti kretanja, a pokazuje značajnu razinu upora, izdržljivosti i energije. Karakteristično za protetičke potrebe djece, aktivnih odraslih osoba ili sportaša.

Kontraindikacije

Ovaj proizvod nije prikladan za korisnike:

- s izraženom slabošću mišića, kontrakturama koje nije moguće pravilno zbrinuti, ili disfunkcijama propriocepcije uključujući lošu ravnotežu.
- s nestabilnostima ili patologijom kontralateralnih zglobova.
- s kompliciranim stanjima uključujući višestruki invaliditet.
- korisnike, uključujući osobe s obje natkoljenice amputirane, kojima je potrebna funkcija popuštanja za silazak niza stube ili sjedanje. To može prouzročiti oštećenje kočionog mehanizma, što može negativno utjecati na stabilnost i izdržljivost.

Kliničke prednosti

- Stabilizacija koljena neometano se aktivira prilikom nošenja tereta kako bi se omogućila sigurnost prilikom stajanja i prelaska neravnog terena. Zatim se neometano otpušta kod odraza palcem.
- Pojačano djelovanje stabilizacijskog mehanizma omogućava ograničenu fleksiju stava što smanjuje silu udara kod nagaza petom.

2 Informacije o sigurnosti



Ova oznaka upozorenja naglašava važne informacije o sigurnosti kojih se potrebno pažljivo pridržavati.



Bilo kakve promjene u funkcionalnosti ili radu koljena npr. ograničeni pokreti, neuravnoteženi pokreti ili neobični zvukovi, moraju se odmah prijaviti pružatelju usluge. Na završetku faze njihanja neposredno prije nagaza petom može se javiti zvuk udara zbog potpore ekstenziji u trenutku potpune ekstenzije ekstremiteta.



Uvijek upotrebljavajte rukohvat prilikom silazanja niza stube i u svim ostalim prilikama ako je dostupno. Izbjegavajte izlaganje ekstremnim vrućinama i/ili hladnoći.



Ovaj proizvod nije namijenjen uporabi pod vodom ili kao proteza za tuširanje. Ako koljeno dođe u doticaj s vodom odmah ga osušite brisanjem.



Proizvod nije primjeren za ekstremne sportove, natjecanja u trčanju ili biciklizmu, zimske sportove, ekstremne padine i stube. Bavljenje takvim aktivnostima na isključivu je odgovornost korisnika.



Sklapanje, održavanje i popravak proizvoda mora obavljati odgovarajuće osposobljeni kliničar.



Prilikom servisiranja proizvoda vodite računa o tome da u bubnju kočnice nema maziva.



Osigurajte da se za vožnju koriste odgovarajuće prilagođena vozila. Svi korisnici dužni su pridržavati se važećih prometnih propisa prilikom upravljanja motornim vozilima.



Korisnik ne smije prilagođavati ili preinačavati proizvod.



Korisnika treba uputiti da o svakoj promjeni svog stanja obavijesti kliničara.



U svakom trenutku vodite računa o riziku od prignječenja prstiju.



Sve pretjerane promjene u visini pete nakon dovršavanja poravnanja mogu negativno utjecati na rad ekstremiteta.

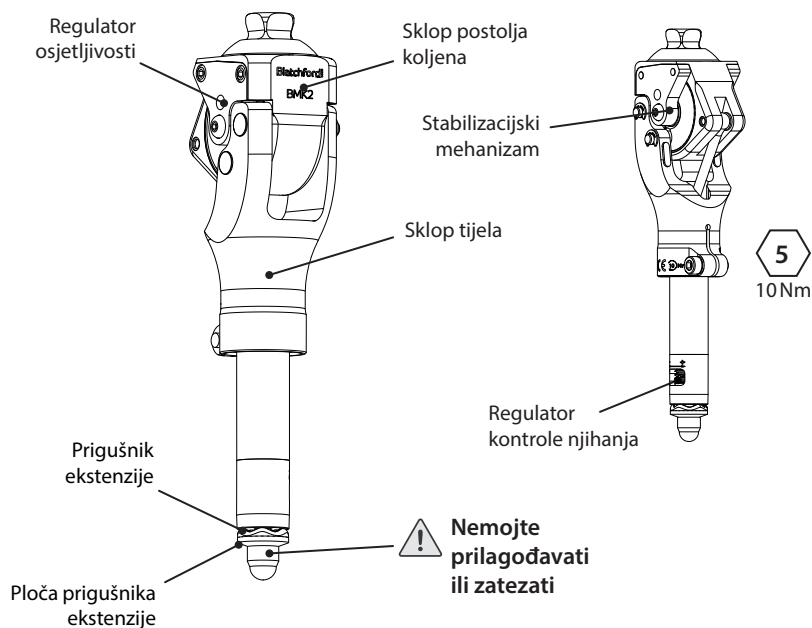
3 Izvedba

Glavni dijelovi

- Sklop tijela (aluminij, nehrđajući čelik, poliuretlan, filc)
- Sklop postolja koljena (aluminij, nehrđajući čelik)
- Stabilizacijski mehanizam (aluminij, bronca, acetal homopolimer, poliuretlan, sintetička guma)

Napomena... Tarni materijali u stabilizacijskom mehanizmu ne sadrže azbest.

Prikaz komponenti



4 Funkcija

Koljeno se aktivira težinom i osjetljivost je moguće prilagoditi na postavke koje odgovaraju korisnikovim zahtjevima stabilnosti.

Kontrola njihanja može se prilagoditi promjenom opterećenja na zavojnu oprugu koja kontrolira podizanje pete i ekstenzijski pomak.

Proizvod omogućuje fleksiju u stavu tijekom aktivacije kočnice zahvaljujući elastičnosti mehanizma trakaste kočnice.

5 Održavanje

Održavanje smije izvoditi samo kvalificirano osoblje.

Preporučuje se sljedeće godišnje održavanje:

- Provjerite zategnutost svih neregulirajućih vijaka (pogledajte odjeljak Izvedba (NE ZATEŽITE prekrivenu maticu na distalnom kraju).
- Očistite kočionu oblogu i zamijenite blokade ekstenzije (pogledajte odjeljak 10 *Održavanje stabilizacijskog mehanizma za postupak*).
- U slučaju neuobičajenih zvukova poput škripanja i struganja i/ili smanjene stabilnosti, obavite postupak održavanja stabilizacijskog mehanizma, pogledajte odjeljak 10 *Održavanje stabilizacijskog mehanizma*. Ako se zvukovi i dalje čuju, kontaktirajte predstavnika tvrtke Blatchford.
- Prigušnik ekstenzije podložen je trošenju od redovite uporabe. U slučaju prekomjernih zvukova zamijenite prigušnik ekstenzije. Pogledajte odjeljak 11 *Održavanje prigušnika ekstenzije*.
- Provjerite nema li pretjerane mediolateralne zračnosti na postolju.
- Ako je izlazni rub kočione obloge istrošen do plastike trakaste kočnice, zamijenite cijelu trakastu kočnicu. (Napomena: pojedinačne obloge ne mogu se zamijeniti.)
- Prilikom ponovnog sklapanja pazite na ispravan smjer trakaste kočnice. Prije uporabe uvijek provjerite stabilnost.

Korisniku je potrebno predati isporučeni korisnički priručnik i uputiti ga da zdravstvenog djelatnika obavijesti o sljedećem:

- svim promjenama tjelesne težine ili stupnja aktivnosti
- svim promjenama u funkcionalnosti ovog proizvoda

Promjene u funkcionalnosti mogu uključivati:

- Ograničeno njihanje
- Promjene neometanosti njihanja
- Smanjenu stabilnost prilikom stava
- Bilo kakav neobičan zvuk

Čišćenje

Vanjske površine čistite vlažnom krpom i blagim sapunom, NE upotrebljavajte agresivna sredstva za čišćenje. Potpuno osušite prije uporabe.

6 Ograničenja uporabe

Predviđen rok trajanja

Vijek trajanja proizvoda pokriven je jamstvenim razdobljem - lokalnu procjenu rizika potrebno je izvršiti na temelju aktivnosti i uporabe.

Podizanje tereta

Tjelesna težina korisnika i aktivnosti podliježu navedenim ograničenjima.

Teret koji korisnik smije nositi mora se odrediti lokalnom procjenom rizika.

Napomena... Proizvod se aktivira težinom i nošenje tereta može prouzročiti spremniju aktivaciju potpore stava.

Okruženje

Izbjegavajte proizvod izlagati korozivnim elementima poput vode, kiselina i drugih tekućina.



Prikladno za uporabu
na otvorenom

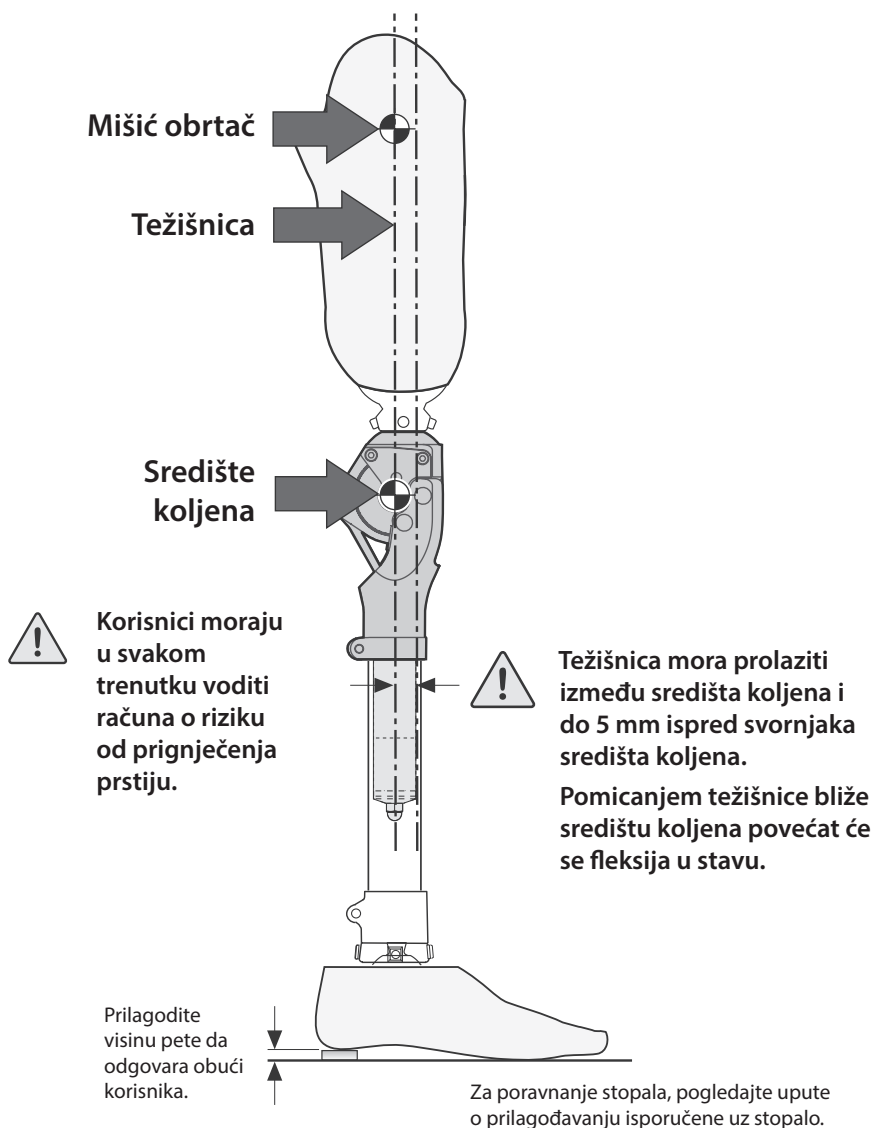


Također izbjegavajte abrazivna okruženja s npr. pijeskom jer to može pridonijeti prijevremenom trošenju.

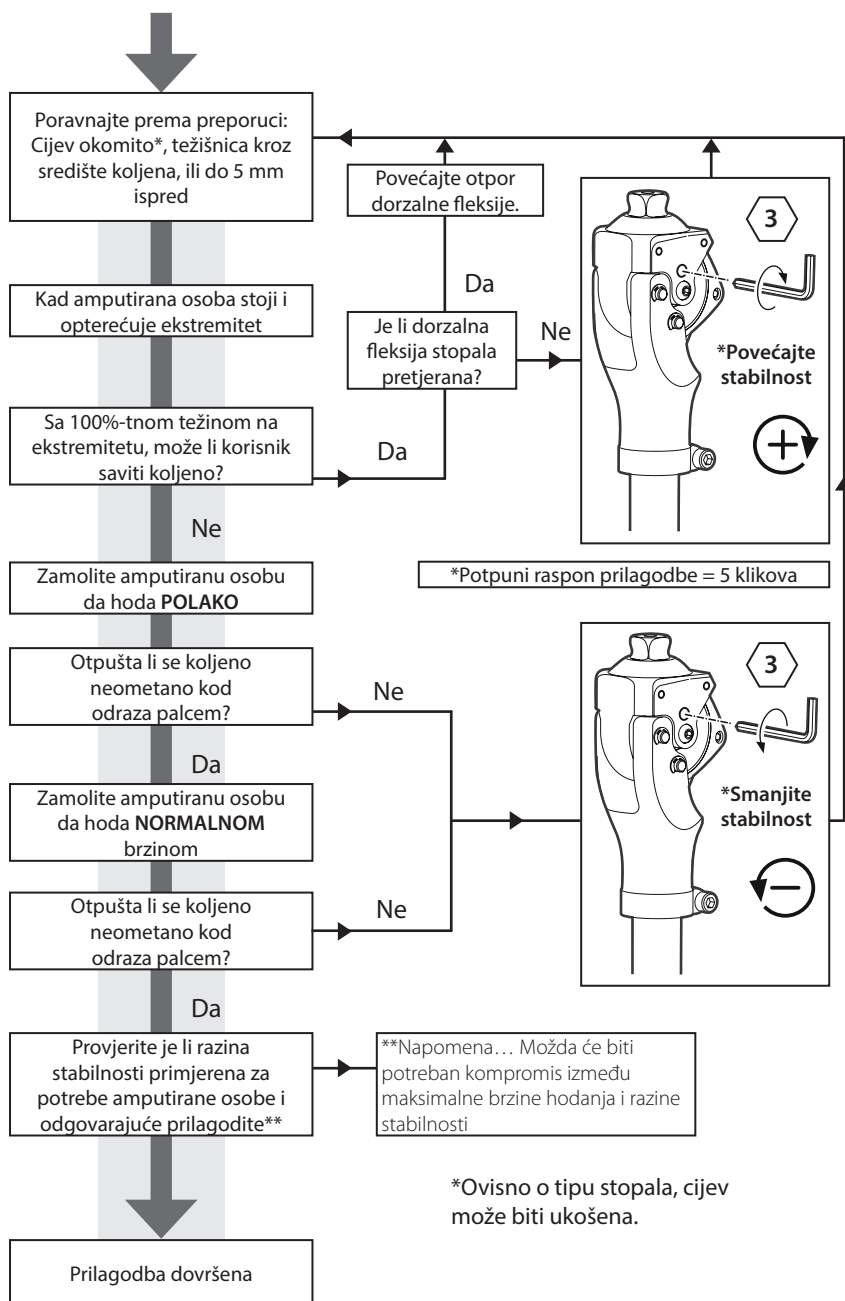
Isključivo za uporabu na temperaturi od -15 °C do 50 °C

7 Početno poravnanje

Položaj težišnice ključan je kod poravnanja proteze za uporabu s proizvodom. Koljeno mora biti poravnato tako da je geometrijski stabilno. Kad je fleksija potpuno prilagođena u ležištu, težišnica treba prolaziti kroz mišić obrtač i središte koljena, ili u liniji paralelnoj s tim, do 5 mm ispred središta koljena.



8 Savjeti za poravnanje i prilagodba stabilnosti

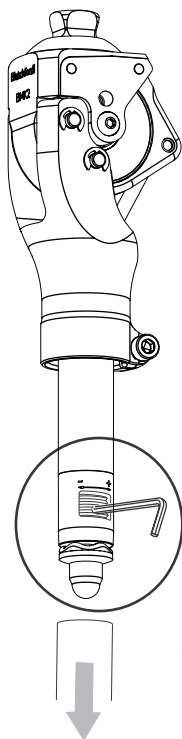


9 Dinamičko poravnanje

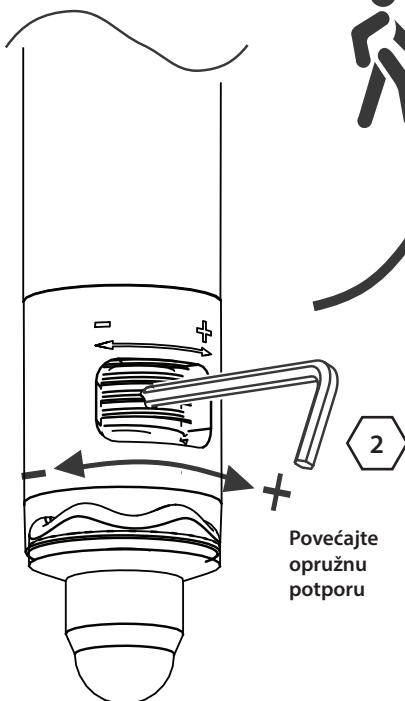
Prilagodba kontrole njihanja (ekstenzijski pomak)

Napomena... Ako se namješta ručno, aktivacija prigušavanja krajnje sile udara može se osjetiti odmah prije potpunog ispružanja; to je normalno.

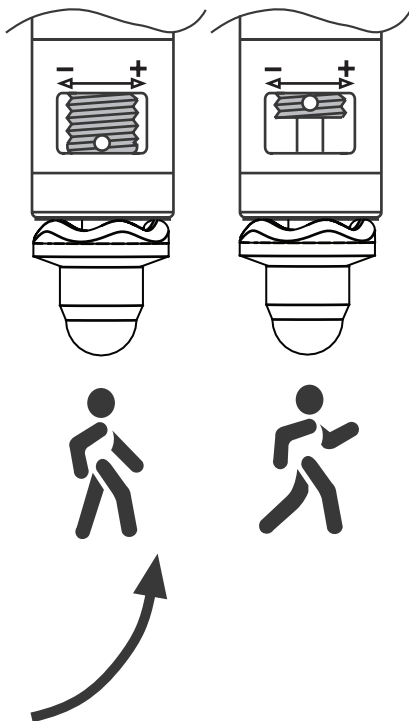
Situacija	Rješenje
Podizanje pete je previsoko tijekom njihanja ili se proizvod ne ispruža potpuno tijekom njihanja.	Povećajte opružnu potporu
Podizanje pete je prenisko tijekom njihanja ili korisnik doživljava krajnju silu udara.	Smanjite opružnu potporu




Smanjite opružnu potporu




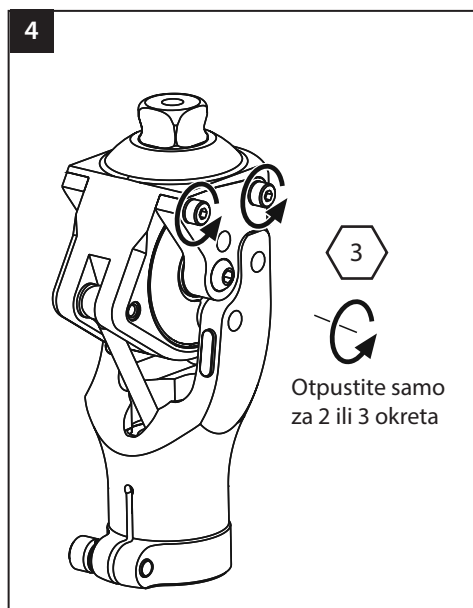
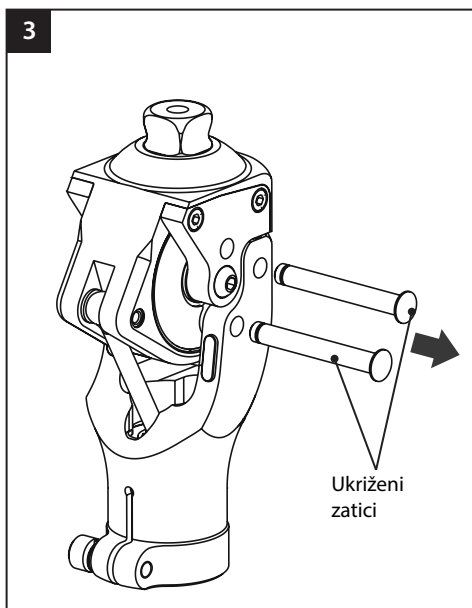
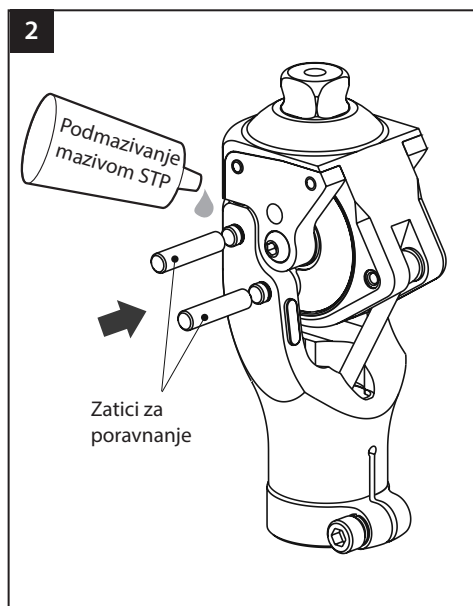
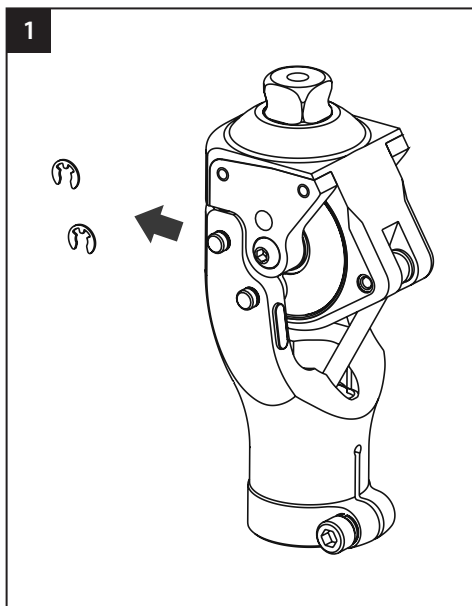
Povećajte opružnu potporu

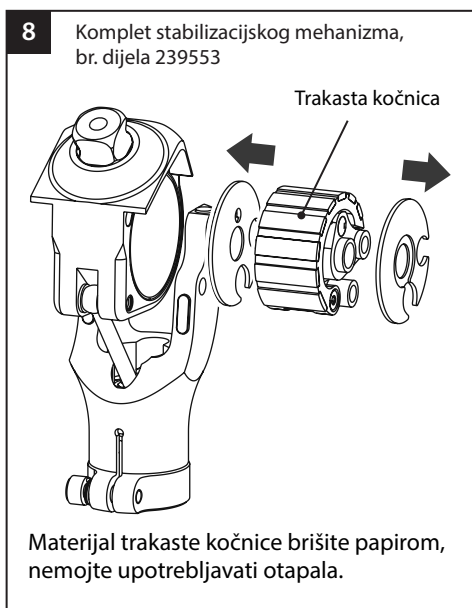
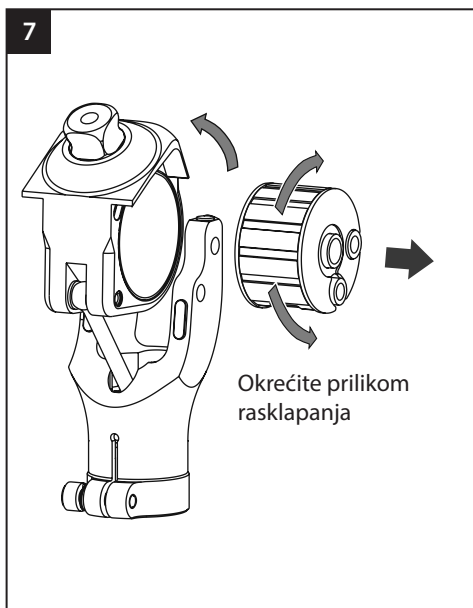
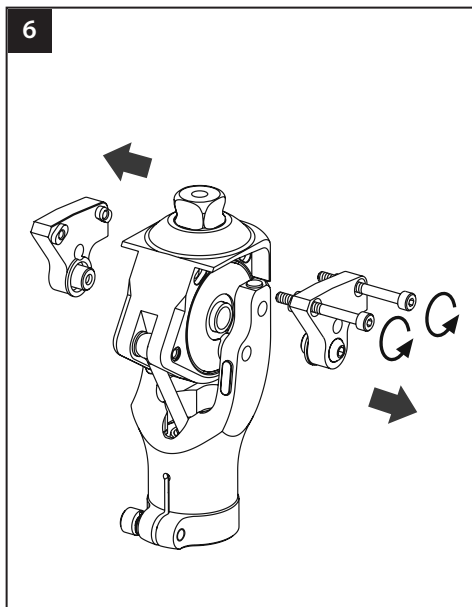
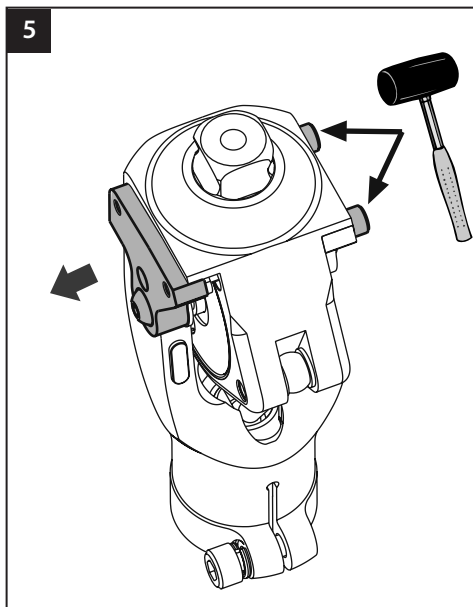


10 Održavanje stabilizacijskog mehanizma

 **Upotrebljavajte odgovarajuću zdravstvenu i zaštitnu opremu u svakom trenutku uključujući pribor za vađenje.**

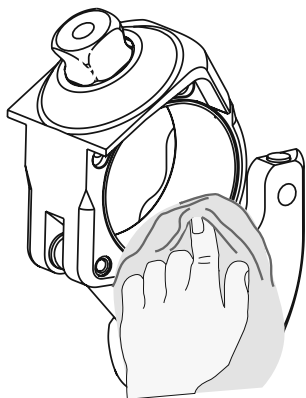
 **U svakom trenutku vodite računa o riziku od prignječenja prstiju.**





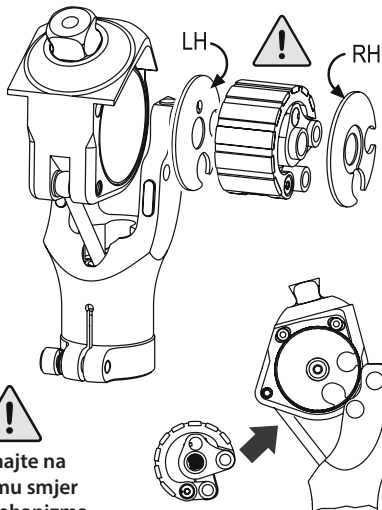
9

Očistite šupljinu prikladnim otapalom.



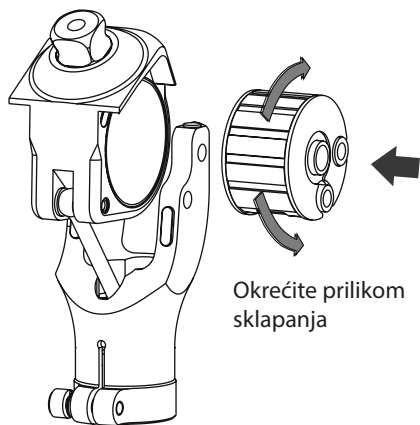
10

Ponovno sklapanje



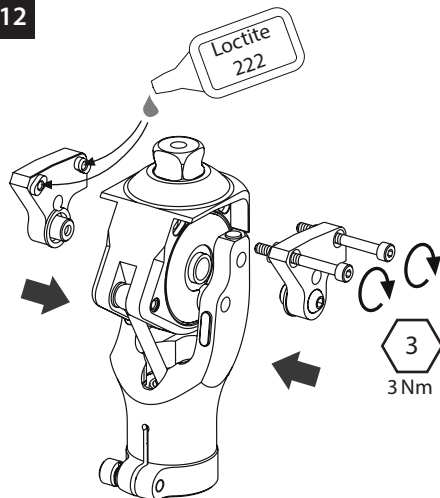
Imajte na umu smjer mehanizma

11



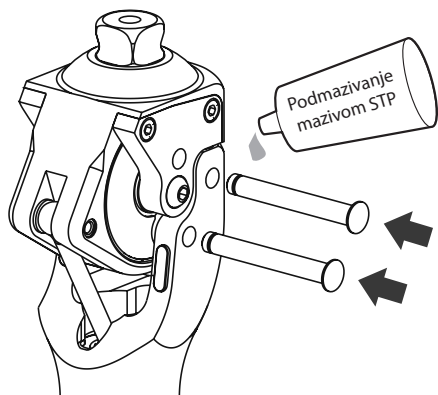
Okrećite prilikom sklapanja

12



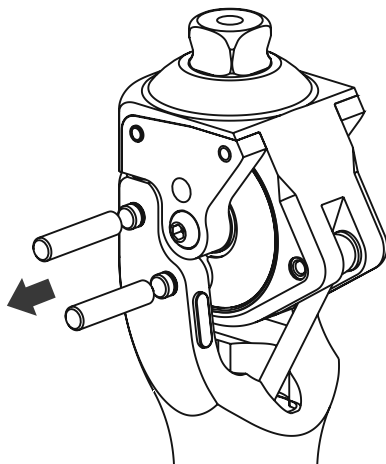
3
3 Nm

- 13** Nanesite tanki sloj maziva (br. dijela 928105) na ukrižene zatike.

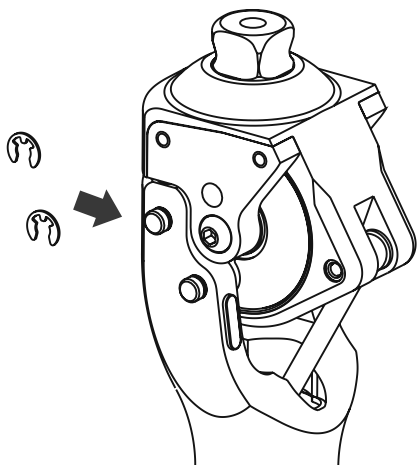


! Pazite da mazivo ne uđe u bubanj kočnice. To može prouzročiti nestabilnost proizvoda.

14



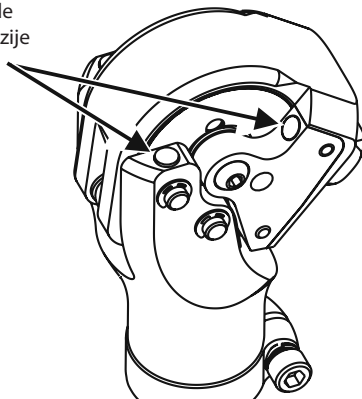
15



16

Godišnje zamijenite sve 4 blokade ekstenzije. Komplet blokada ekstenzije Dio br. 239453

Blokade ekstenzije



Nakon radova održavanja važno je provjeriti prilagodbu stabilnosti kod korisnika. Pogledajte dijagram toka u odjeljku Savjeti za poravnanje i prilagodba stabilnosti.

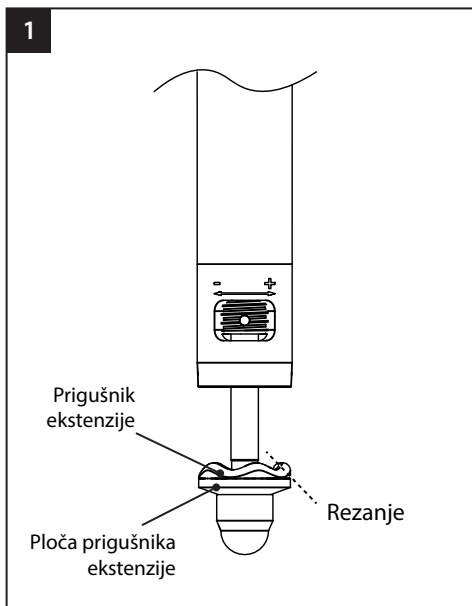
11 Održavanje prigušnika ekstenzije



Upotrebljavajte odgovarajuću zdravstvenu i zaštitnu opremu u svakom trenutku uključujući pribor za vađenje.

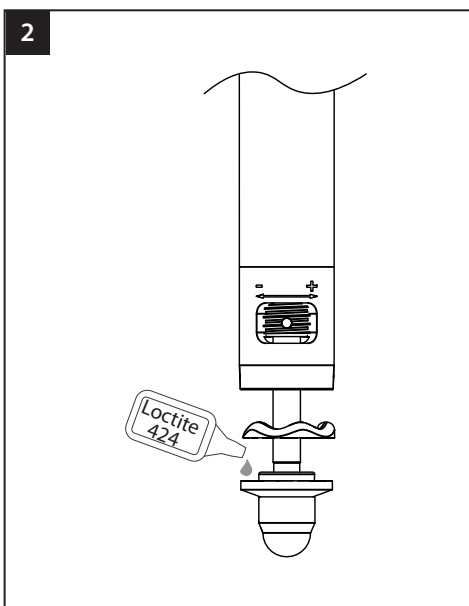


U svakom trenutku vodite računa o riziku od prignječenja prstiju.



Nožem odrežite i uklonite stari prigušnik ekstenzije.

Očistite gornju površinu ploče prigušnika ekstenzije prikladnim otapalom.



Rastegnite novi prigušnik ekstenzije preko ploče prigušnika ekstenzije.

Fiksirajte prigušnik ekstenzije na ploču prigušnika ekstenzije ljepljivom Loctite 424.

12 Rješavanje problema

Simptom	Rješenje
Prekomjerni zvukovi iz koljena.	Očistite trakastu kočnicu i bubanj kočnice. Nanesite mazivo na svornjake. Pogledajte odjeljak 10 <i>Održavanje stabilizacijskog mehanizma</i> za postupke.
Koljeno se ne stabilizira.	Provjerite prilagodbu stabilnosti. Pogledajte odjeljak 8 <i>Savjeti za poravnanje i prilagodba stabilnosti</i> . Očistite bubanj kočnice. Provjerite istrošenost kočionih obloga i zamijenite stabilizacijski mehanizam ako je stražnji, izlazni rub kočnice oštećen. Pogledajte odjeljak 10 <i>Održavanje stabilizacijskog mehanizma za postupke</i> .
Koljeno se ne otpušta.	Provjerite prilagodbu stabilnosti. Pogledajte odjeljak 8 <i>Savjeti za poravnanje i prilagodba stabilnosti</i> .

13 Tehnički podaci

Radni i temperaturni raspon skladištenja: -15 °C do 50 °C

Težina komponente: 580 g

Preporučeni stupanj aktivnosti: 2

Maksimalna tjelesna težina korisnika: 125 kg

Priključak za poravnanje proksimalnog dijela: Zakretni piramidni muški dio (Blatchford)

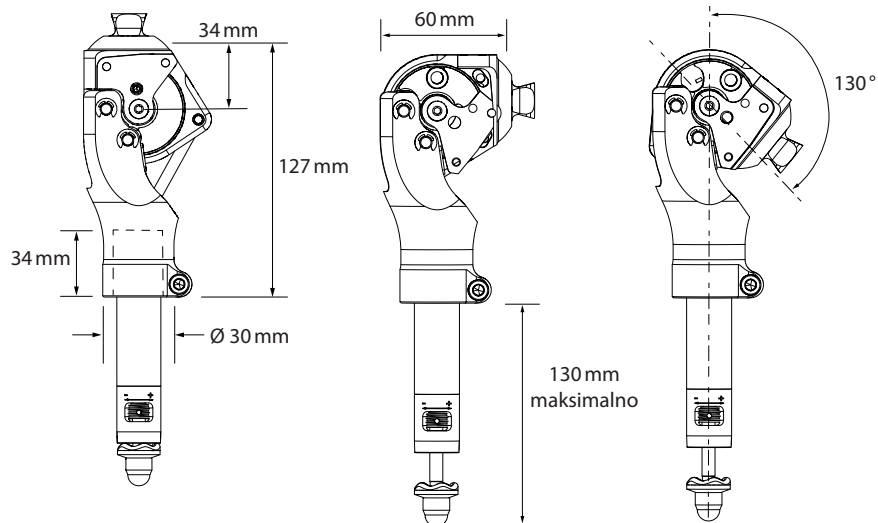
Distalni priključak: Cijevna stezaljka promjera 30 mm (Blatchford)

Visina izvedbe: 127 mm

Proksimalni piramidni dio do kraja distalne cijevi (+130 mm)

[Pogledajte *Duljina prilagođavanja* na stranici 71]

Duljina prilagođavanja





14 Informacije za naručivanje

Primjer narudžbe

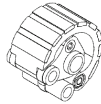


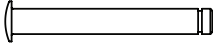


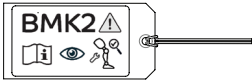

BMK2

14.1 Rezervni dijelovi


Komplet blokada ekstenzije 239453

Opis	Kol.	Ilustracija
Blokada ekstenzije - BMK2	4	
Upute za postavljanje	1	


Komplet stabilizacijskog mehanizma 239553

Opis	Kol.	Ilustracija
Kompaktni stabilizacijski mehanizam	1	
Zaštita od prašine LH	1	
Zaštita od prašine RH	1	
Ukriženi zatic	2	
Pridržni vanjski „E“ prsten	2	
Zatic za poravnanje	2	
BMK2 – oznaka upozorenja za poravnanje	1	
Upute za postavljanje	1	

Prigušnik ekstenzije

Opis	Kol.	Broj dijela	Ilustracija
Prigušnik ekstenzije	1	B-0000021	

Potrošni pribor

Opis	Kol.	Broj dijela	Ilustracija
Podmazivanje mazivom STP	Prema potrebi	928105	
Loctite 222 proizvod za osiguranje vijaka	Prema potrebi	926001	
Loctite 424 ljepilo	Prema potrebi	926104	

Odgovornost

Proizvođač preporučuje uporabu proizvoda u skladu s navedenim uvjetima i za predviđene namjene. Proizvod mora biti održavan u skladu s uputama za uporabu isporučenim uz proizvod. Proizvođač nije odgovoran ni za kakve neželjene ishode uzrokovane kombiniranjem komponenti koje nije odobrio.

CE sukladnost

Ovaj proizvod ispunjava zahtjeve Uredbe (EU) 2017/745 o medicinskim proizvodima. Ovaj proizvod razvrstan je kao proizvod klase rizika I prema kriterijima razvrstavanja navedenima u Dodatku VIII. Uredbe. Certifikat EU Izjava o sukladnosti dostupan je na sljedećoj internetskoj stranici: www.blatchford.co.uk



Medicinski proizvod



Jedan korisnik - višestruka uporaba

Kompatibilnost

Kombiniranje s proizvodima marke Blatchford odobrava se na temelju ispitivanja u skladu s primjenjivim normama i Uredbom o medicinskim proizvodima (MDR) uključujući ispitivanje strukture, usklađenost dimenzija i nadziranu radnu učinkovitost.

Kombiniranje s alternativnim proizvodima s oznakom CE mora se provesti uz dokumentiranu lokalnu procjenu rizika od strane zdravstvenog djelatnika.

Jamstvo

Na ovaj proizvod daje se jamstvo od 24 mjeseca od datuma izvorne kupnje ako nije drukčije navedeno. Na kompaktni stabilizacijski mehanizam daje se jamstvo od 12 mjeseci od datuma izvorne kupnje ako nije drukčije navedeno. Trošenje trakaste kočnice kao posljedica redovite uporabe isključeno je iz jamstva. Korisnik mora biti svjestan da promjene ili preinake koje nisu izričito dopuštene mogu poništiti jamstvo, odobrenja za rad i izuzeća. Pogledajte internetsku stranicu tvrtke Blatchford za uvid u cjelovitu važeću izjavu o jamstvu uključujući trošenje redovitom uporabom.

Prijavlivanje ozbiljnih neželjenih događaja

U malo vjerojatnom slučaju pojave ozbiljnog neželjenog događaja vezanog uz ovaj proizvod, potrebno je isti prijaviti proizvođaču i nadležnom državnom tijelu.

Ekološki aspekti

Gdje je izvedivo, komponente je potrebno reciklirati u skladu s lokalnim propisima o zbrinjavanju otpada.

Čuvanje oznake pakiranja

Morate sačuvati oznaku pakiranja kao evidenciju isporučenog proizvoda.

Izjave o žigu

Blatchford je registrirani žig tvrtke Blatchford Products Limited.

Adresa sjedišta proizvođača



Blatchford Products Limited, Lister Road, Basingstoke RG22 4AH, UK

Obsah	74
1 Opis a zamýšľaný účel.....	75
2 Informácie o bezpečnosti.....	76
3 Konštrukcia.....	77
4 Funkcia.....	77
5 Údržba.....	78
6 Obmedzenie používania	79
7 Zarovnanie osadenia.....	80
8 Rady pri zarovnávaní a nastavenie stability.....	81
9 Dynamické zarovnanie.....	82
10 Údržba stabilizačného mechanizmu.....	83
11 Údržba tlmiaceho prvku vystierania	87
12 Riešenie problémov	88
13 Technické údaje	88
14 Informácie pri objednávaní	89
14.1 Náhradné diely.....	89

1 Opis a zamýšľaný účel

Návod na použitie je určený klinickému pracovníkovi/odborníkovi.

V návode sa používa termín *pomôcka* a odkazuje na koleno BMK2.

Overte, či používateľ rozumie všetkým častiam návodu na použitie, predovšetkým časti o údržbe a častiam s informáciami o bezpečnosti.

Pred použitím pomôcky musí používateľ absolvovať tréning chôdze.

Použitie

Pomôcka sa smie používať výhradne ako súčasť protézy dolnej končatiny.

Pomôcka je kompaktné hmotnosťou aktivované koleno s nastaviteľnou mierou natiahnutia pružiny.

Pomôcka je určená jednému používateľovi.

Vlastnosti

- Nastaviteľné ovládanie stoja aktivované zaťažením
- Nastaviteľné ovládanie miery natiahnutia so zmiernením záverečného dopadu
- Maximálny uhol ohybu 130°

Úroveň aktivity

Pomôcka je určená lenpoužívateľom s úrovňou aktivity 1 a 2. Maximálnu hmotnosť používateľa nájdete v časti 13 *Technické údaje*.

Úroveň aktivity 1

Má schopnosť alebo potenciál používať protézu na presun alebo chôdzu na rovnom povrchu pri fixnej kadencii. Typická pre chodca v domácnosti s obmedzením alebo bez obmedzenia.

Úroveň aktivity 2

Má schopnosť alebo potenciál chôdze so schopnosťou prechádzať cez nízke prekážky v okolitom prostredí, ako sú obrubníky, schody alebo nerovný povrch. Typická pre komunitného chodca s obmedzením.

Úroveň aktivity 3

Má schopnosť a potenciál chôdze s rozličnou kadenciou. Typická pre komunitného chodca so schopnosťou prechádzať cez väčšinu prekážok v okolitom prostredí, ktorý môže vykonávať pracovnú, terapeutickú alebo cvičebnú aktivitu vyžadujúcu si používanie protézy mimo jednoduchého pohybu.

Úroveň aktivity 4

Má schopnosť alebo potenciál protetickej chôdze, ktorá prekračuje základné ambulantné zručnosti, má veľkú mieru dopadu, tlaku alebo energie. Typická pre protetické nároky detí, aktívnych dospelých osôb alebo atlétov.

Kontraindikácie

Pomôcka nie je vhodná pre používateľov, ktorí trpia:

- extrémnou svalovou slabosťou, skrúteniami, ktoré sa nedajú správne upraviť alebo proprioceptívnu dysfunkciu vrátane slabej rovnováhy;
- nestabilitou alebo patológiou kontralaterálneho kĺbu;
- komplikovanými ochoreniami s viacerými postihnutiami;
- aj obojstrannou transfemorálnou amputáciou a pri chôdzi dolu schodmi alebo sadaní potrebujú, aby sa koleno podvolilo. Mohlo by to poškodiť brzdový mechanizmus a mať negatívny vplyv na stabilitu a odolnosť.

Klinické výhody

- Stabilizácia kolena sa pri zaťažení hladko zapne a v stoji a pri chôdzi po nerovnom povrchu sa postará o bezpečnosť. Pri odraze prstov sa jednoducho uvoľní.
- Prispôsobivé fungovanie stabilizačného mechanizmu umožňuje obmedzený ohyb v stoji, čo zmiernuje náraz pri dopade na pätu.

2 Informácie o bezpečnosti



Tento výstražný symbol poukazuje na dôležité bezpečnostné informácie, ktoré treba dôsledne dodržiavať.



Všetky zmeny vo vlastnostiach alebo fungovaní kolena, napr. obmedzený pohyb, drhnutie pri pohybe alebo nezvyčajné zvuky, treba ihneď nahlásiť servisnému pracovníkovi. Počas záverečnej fázy švihy tesne pred dopadom na pätu sa možno ozve zvuk v dôsledku asistencie pri vystretí a úplnom vystretí končatiny.



Pri kráčaní dolu schodmi a vždy, keď je k dispozícii, sa držte zábradlia. Vyhnite sa vystavovaniu extrémnemu teplu a/alebo chladu.



Pomôcka nie je určená do vody ani ako protéza do sprchy. Ak sa koleno dostane do kontaktu s vodou, ihneď ho vysušte.



Pomôcka nie je vhodná na extrémne športy, beh ani cyklistické závody, ľadové ani snehové športy, extrémne svahy ani schody. Absolvovanie takýchto aktivít je výhradne na riziko používateľa.



Skladanie, údržbu a opravu pomôcky sme vykonávať len primerane kvalifikovaný klinický pracovník.



Pri servise pomôcky si dávajte pozor na to, aby sa do bubna brzdy nedostalo mazadlo.



Pri šoférovaní dbajte na to, aby sa používali len vhodne upravené vozidlá. Pri riadení motorového vozidla sa od každého očakáva dodržiavanie príslušných zákonov o cestnej premávke.



Používateľ nesmie nastavovať ani neodborne upravovať nastavenie pomôcky.



Používateľa treba upozorniť, že v prípade zmeny zdravotného stavu sa má obrátiť na klinického pracovníka.



Dávajte pozor na riziko zachytenia prstov.



Nadmerné zmeny vo výške päty po zarovnaní môžu mať nežiaduci dopad na fungovanie končatiny.

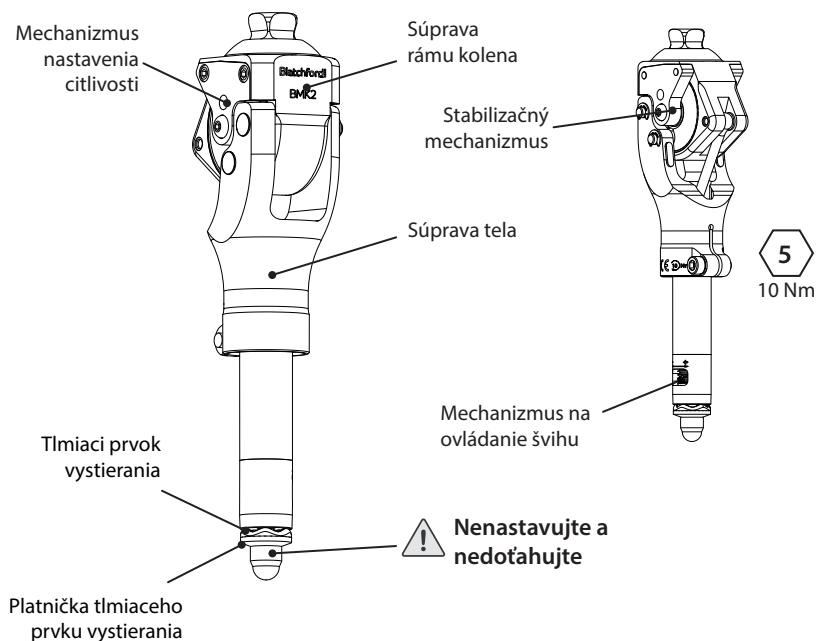
3 Konštrukcia

Hlavné diely

- Súprava tela (hliník, nehrdzavejúca oceľ, polyuretán, filc)
- Súprava rámu kolena (hliník, nehrdzavejúca oceľ)
- Stabilizačný mechanizmus (hliník, bronz, acetálový polymér, syntetická guma, polyuretán)

Poznámka... Frikčný materiál v stabilizačnom mechanizme neobsahuje azbest.

Identifikácia dielu



4 Funkcia

Koleno sa aktivuje prenesením hmotnosti a citlivosť sa dá nastaviť tak, aby vyhovovala požiadavkám používateľa na stabilitu.

Ovládanie švihů sa dá nastaviť zmenou stlačenia pružiny, ktorá ovláda zdvih päty a odchýlku pri vystretí.

Pomôcka umožňuje ohnutie v stoji pri zapojení brzdy v dôsledku odporu mechanizmu brzдового pásu.

5 Údržba

Údržbu smie vykonávať len kompetentný personál.

Odporúča sa raz ročne absolvovať nasledujúcu údržbu:

- Skontrolujte, či sú všetky skrutky mimo nastavovací mechanizmus dotiahnuté (pozri časť Konštrukcia (**NEDOŤAHUJTE** prekrytú maticu na distálnom konci).
- Vyčistíte brzdovú podložku a vymeňte extenzné zarážky (postup nájdete v časti 10 *Údržba stabilizačného mechanizmu*).
- V prípade neobvyklých zvukov ako je vrzganie a škrípanie a/alebo pri zníženej stabilite vykonajte údržbu stabilizačného mechanizmu, pozri časť 10 *Údržba stabilizačného mechanizmu*. Ak pomôcka neprestane vydávať zvuky, obráťte sa na zástupcu spoločnosti Blatchford.
- Opotrebovanie tlmiaceho prvku vystierania je prijateľné. Ak sa pri plnom vystretí z prvku ozýva zvuk, vymeňte ho. Pozri časť 11 *Údržba tlmiaceho prvku vystierania*.
- Skontrolujte, či sa rám príliš nehýbe v mediolaterálnom smere.
- Ak je zadná strana podložky brzdového remienka opotrebovaná až po plast, vymeňte celý remienok. (Poznámka: Jednotlivé podložky sa nedajú vymieňať.)
- Pri skladaní dbajte na správnu orientáciu brzdového remienka. Pred použitím vždy vyskúšajte stabilitu.

Používateľovi je potrebné odovzdať priložený návod na použitie a informovať ho, aby odborníkovi nahlásil ktorúkoľvek z nasledujúcich okolností:

- zmeny v telesnej hmotnosti alebo úrovni aktivity;
- zmeny vo vlastnostiach pomôcky.

Medzi zmeny vo vlastnostiach patrí:

- obmedzený švih;
- zmena v hladkosti švihu;
- menšia stabilita v stoji;
- Hocijaký nezvyčajný zvuk

Čistenie

Vonkajší povrch utrite handričkou navlhčenou vo vode s jemným čistiacim prostriedkom, NEPOUŽÍVAJTE agresívne čistiace prostriedky. Pred použitím ho dôkladne osušte.

6 Obmedzenie používania

Zamýšľaná životnosť

Na životnosť produktu sa vzťahuje záručné obdobie – na základe aktivity a používania treba posúdiť lokálne riziko.

Zdvíhanie bremien

Hmotnosť a aktivita používateľa sa riadi stanovenými limitmi.

Nosenie bremien používateľom by malo vychádzať z posúdenia lokálnych rizík.

Poznámka... Pomôcka sa aktivuje pri prenesení hmotnosti a prenášanie bremien môže spôsobiť rýchlejšie zapnutie opory pri stojí.

Prostredie

Pomôcku nevystavujte korozívnym vplyvom ako je voda, kyseliny ani iné kvapaliny. Vyhýbajte sa aj abrazívnemu prostrediu, napríklad prostrediu s obsahom piesku, mohlo by urýchliť predčasné opotrebovanie.

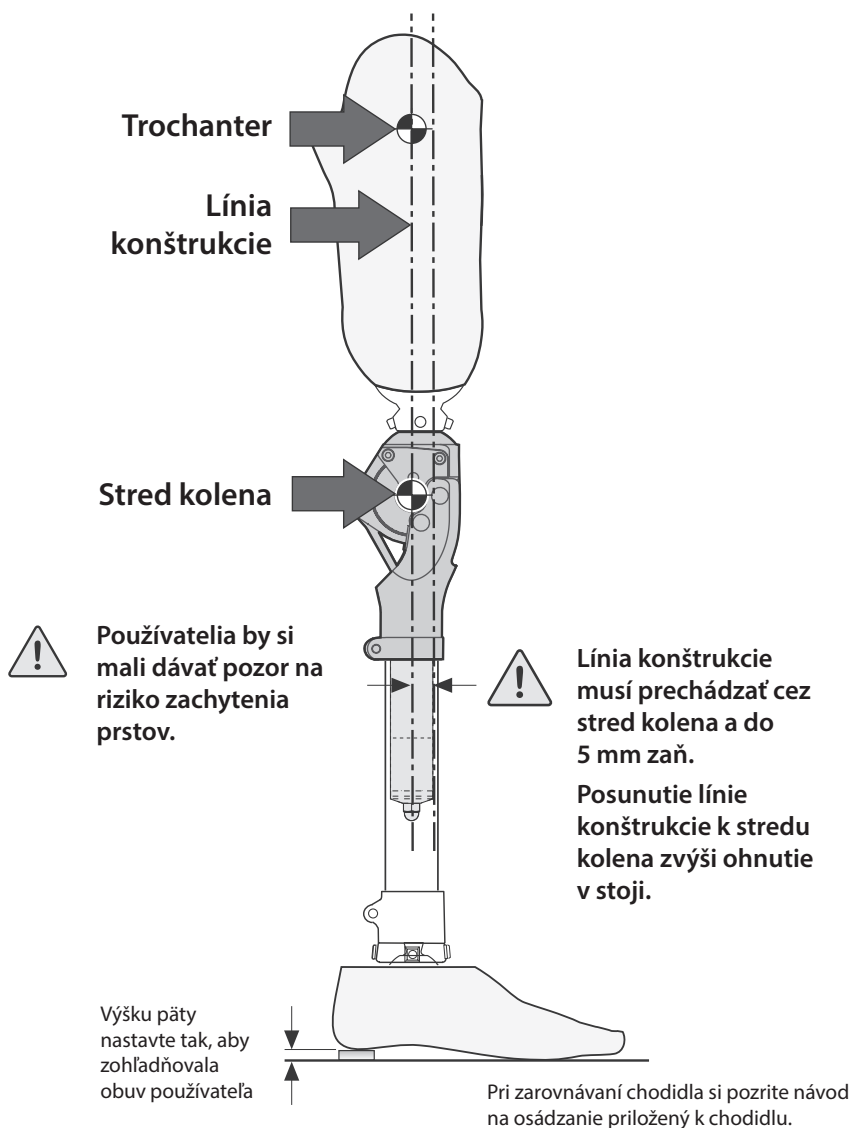


Možno používať v exteriéri

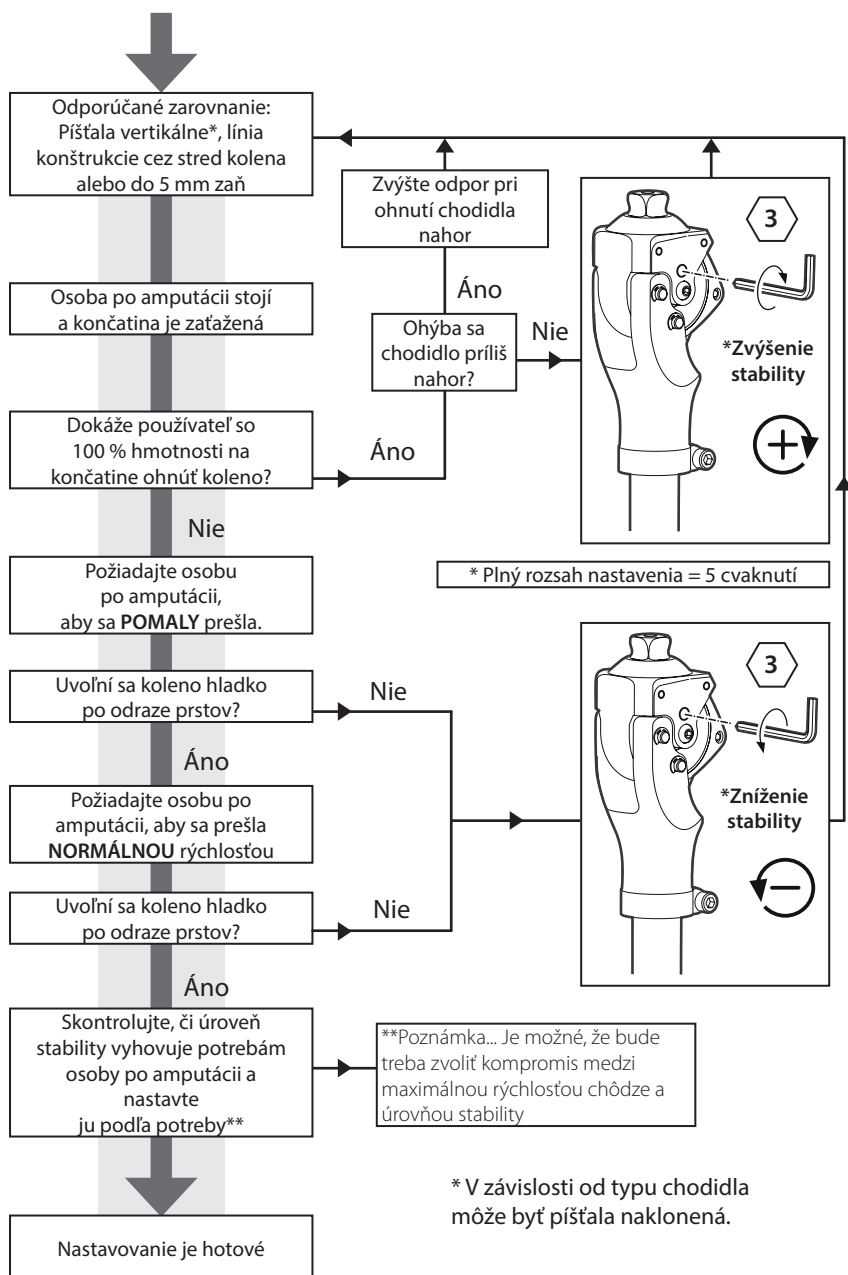
Používajte výhradne pri teplotách od -15 °C do 50 °C

7 Zarovnanie osadenia

Pri zarovnávaní protézy s pomôckou je mimoriadne dôležitá pozícia línie konštrukcie. Ak má byť koleno geometricky stabilné, malo by byť zarovnané. Po plnom zohľadnení vystretia v lôžku by mala línia konštrukcie prechádzať cez chocholík a stred kolena alebo v rovnobežnej priamke k nim do 5 mm za stred kolena.



8 Rady pri zarovnávaní a nastavenie stability

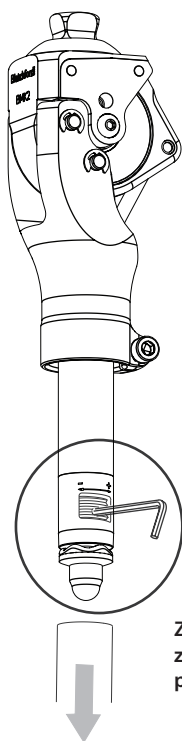


9 Dynamické zarovnanie

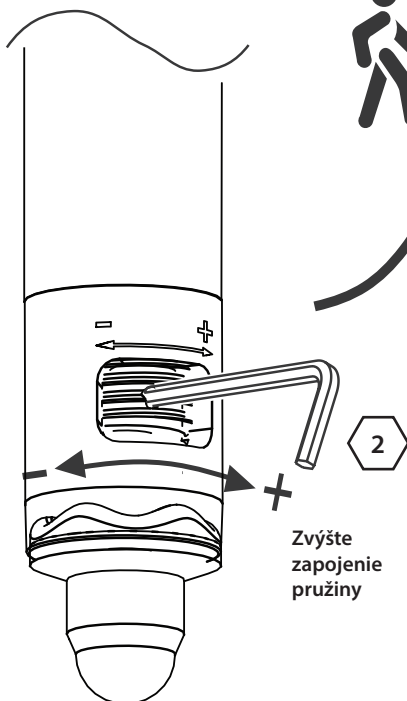
Nastavenie ovládania švihů (miera vystretia)

Poznámka... Pri ovládaní rukou možno zmiernenie záverečného dopadu cítiť ihneď po úplnom vystretí, je to normálne.

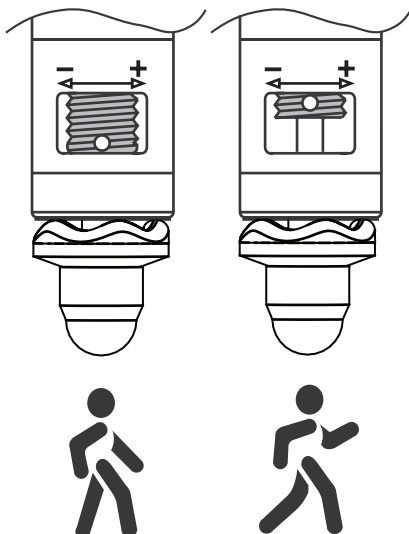
Situácia	Riešenie
Počas švihů sa päta zdvihne príliš vysoko alebo sa pomôcka úplne nevystre.	Zvýšte zapojenie pružiny
Počas švihů sa päta zdvihne príliš nízko alebo používateľ cíti tvrdý záverečný dopad.	Znížte zapojenie pružiny



Znížte
zapojenie
pružiny



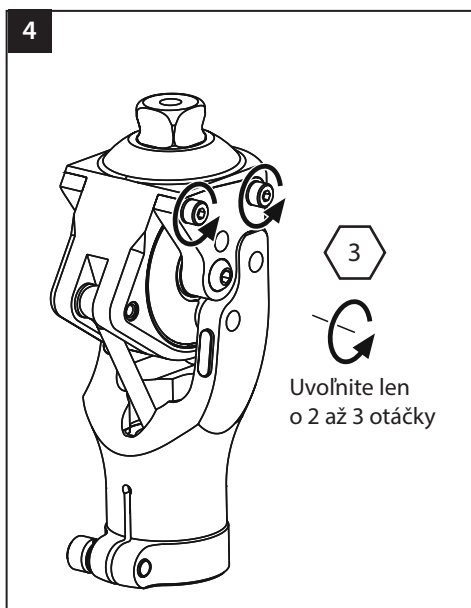
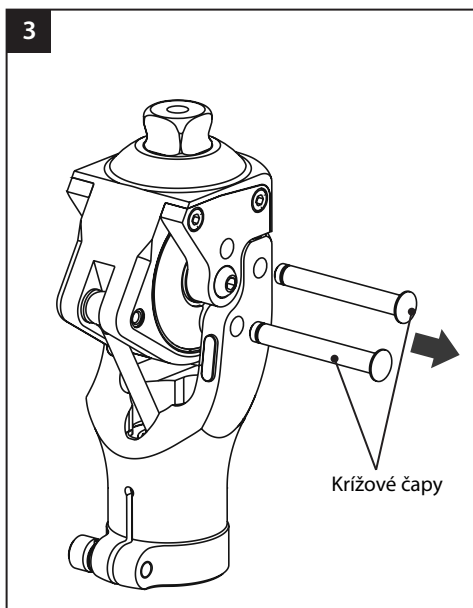
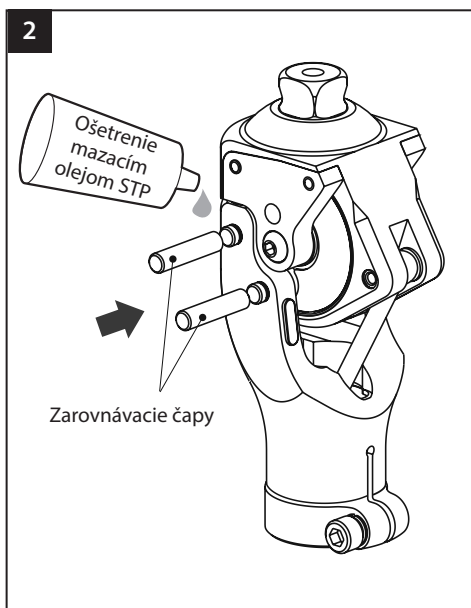
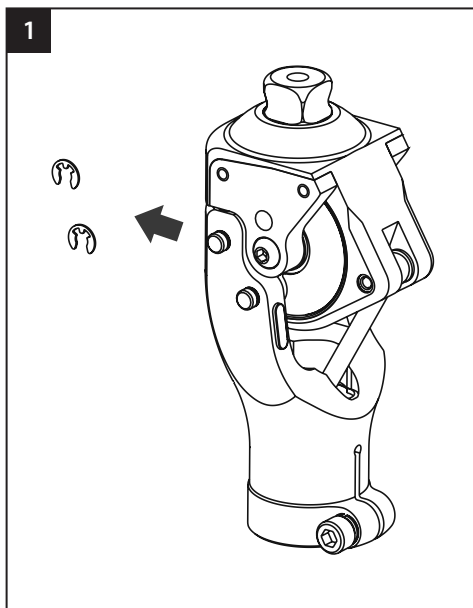
Zvýšte
zapojenie
pružiny

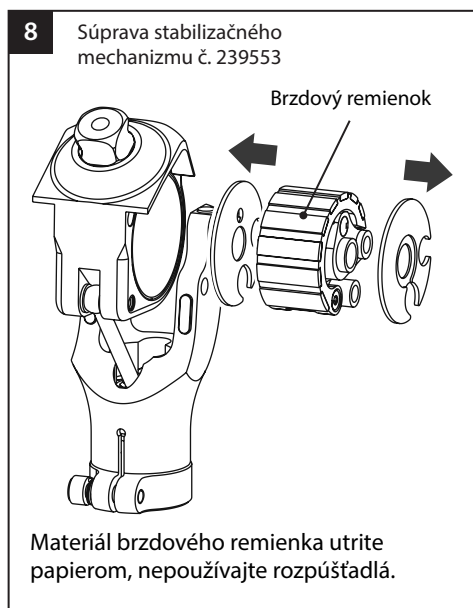
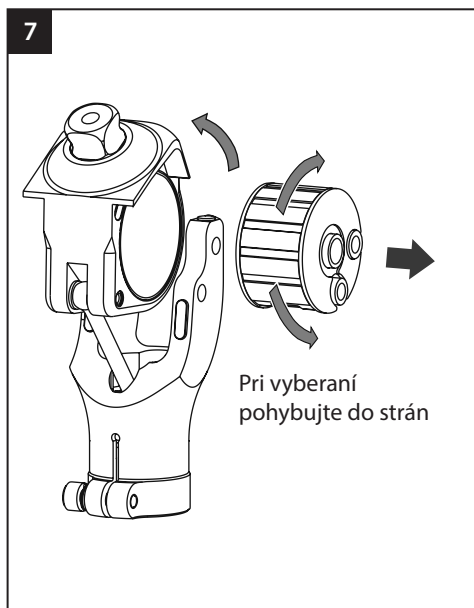
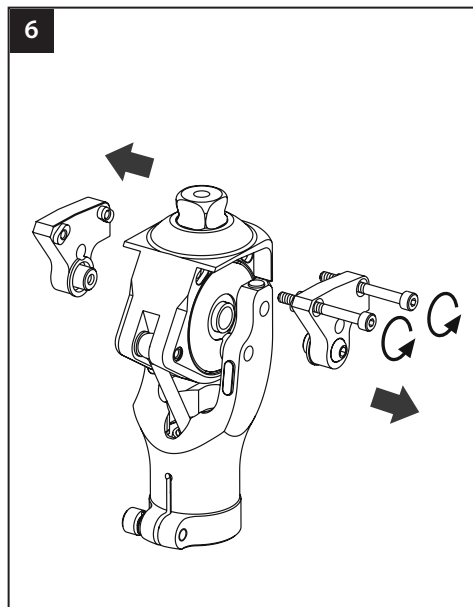
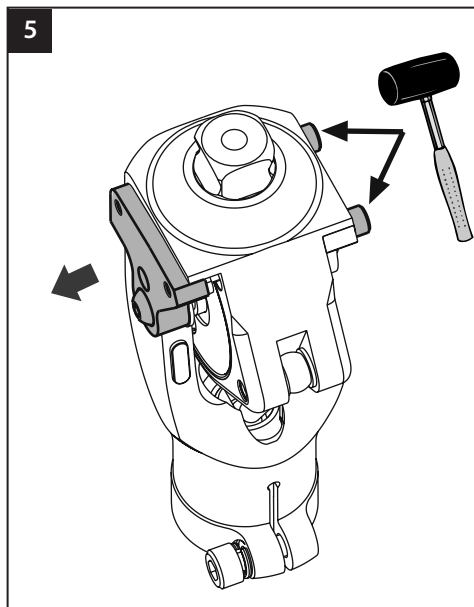


10 Údržba stabilizačného mechanizmu

⚠ Vždy používajte primerané prostriedky osobnej ochrany, aj extrakčné zariadenia.

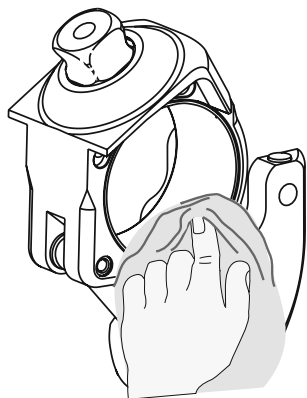
⚠ Dávajte pozor na riziko zachytenia prstov.



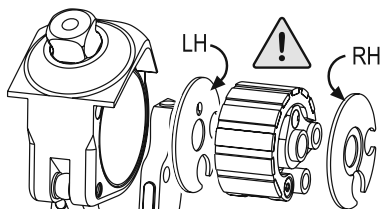


9

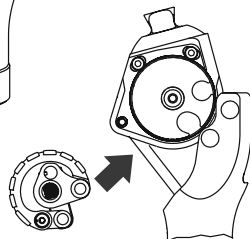
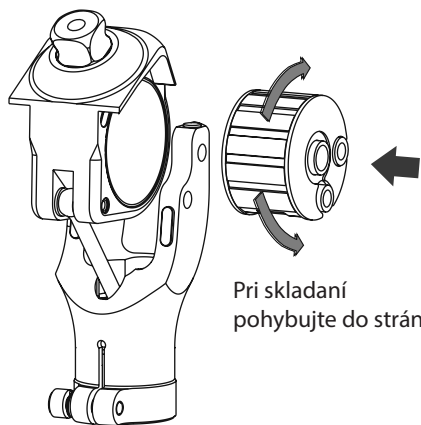
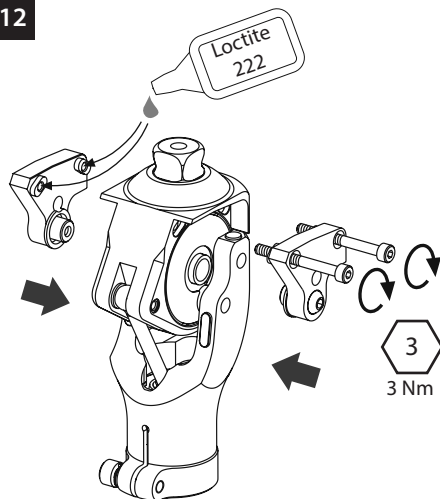
Vhodným riedidlom vyčistite vnútornú časť.

**10**

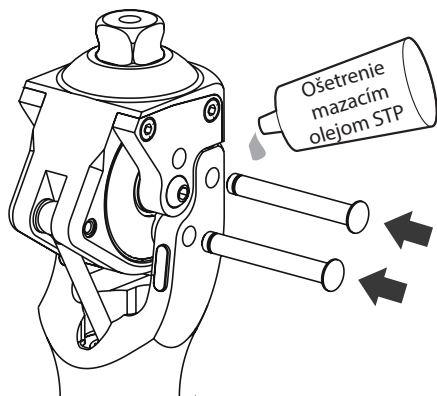
Zmontovanie



Poznačte si orientáciu mechanizmu

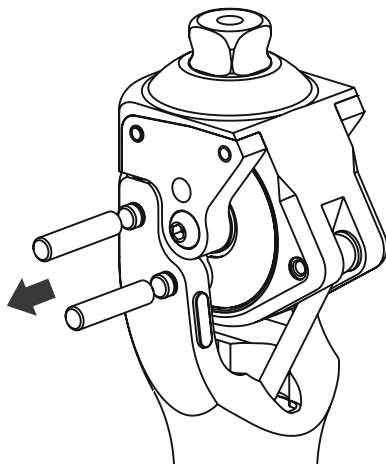
**11****12**

- 13** Na križové čapy naneste tenkú vrstvu mazadla (diel č. 928105).

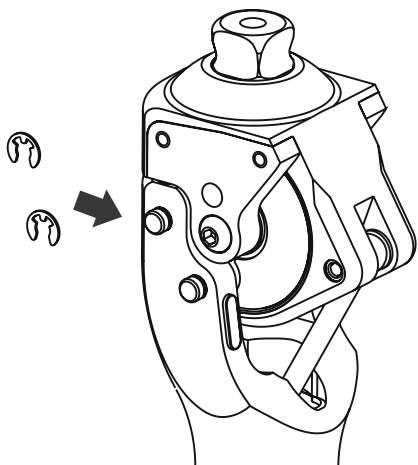


! Dbajte na to, aby lubrikant nepresiakol do bubna brzdy. Pomôcka by potom mohla stratiť stabilitu.

14



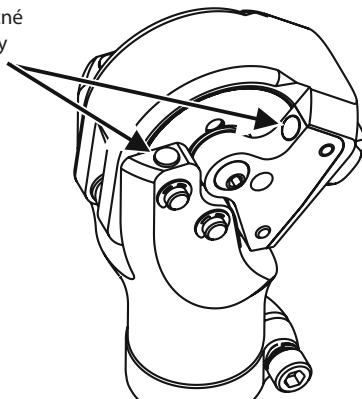
15



16

Každý rok vymeňte všetky 4 extenzné zarážky. Súprava extenzných zarážok diel č. 239453

Extenzné zarážky



Po údržbe je dôležité skontrolovať nastavenie stability používateľa. Pozrite si schému v časti Rady pri zarovnávaní a nastavenie stability.

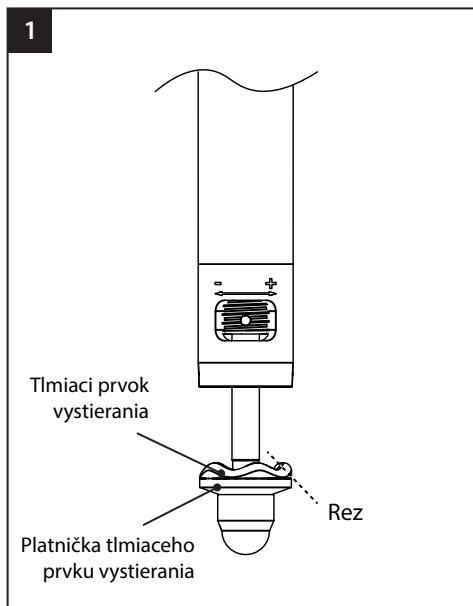
11 Údržba tlmiaceho prvku vystierania



Vždy používajte primerané prostriedky osobnej ochrany, aj extrakčné zariadenia.

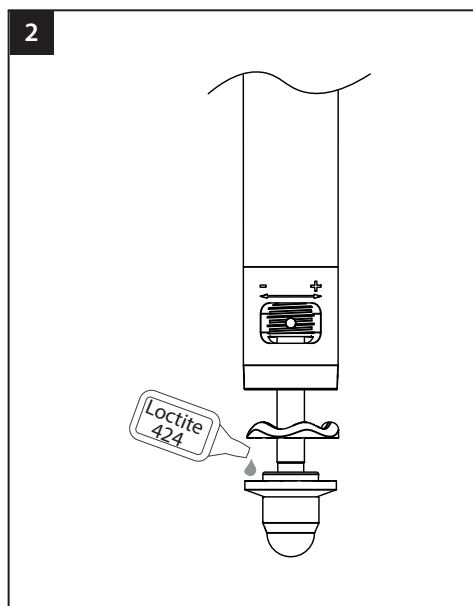


Dávajte pozor na riziko zachytenia prstov.



Nožom odrežte a vyberte prečnievajúcu časť tlmiaceho prvku.

Vhodný rozpúšťadlom vyčistite hornú časť platničky tlmiaceho prvku vystierania.



Cez platničku tlmiaceho prvku vystierania prevlečte nový tlmiaci prvok.

Tlmiaci prvok prilepte k platničke Loctitom 424.

12 Riešenie problémov

Príznak	Riešenie
Z kolena sa ozýva zvuk.	Vyčistite brzdový remienok a bubon brzdy. Na kolíky čapu naneste lubrikant. Postup nájdete v časti 10 <i>Údržba stabilizačného mechanizmu</i> .
Koleno sa nestabilizuje.	Skontrolujte nastavenie stability. Pozri časť 8 <i>Rady pri zarovnávaní a nastavenie stability</i> . Vyčistite bubon brzdy. Skontrolujte, či nie sú opotrebované brzdové podložky a ak je zadná strana podložky poškodená, vymeňte stabilizačný mechanizmus. Postup nájdete v časti 10 <i>Údržba stabilizačného mechanizmu</i> .
Koleno sa neuvolňuje.	Skontrolujte nastavenie stability. Pozri časť 8 <i>Rady pri zarovnávaní a nastavenie stability</i> .

13 Technické údaje

Rozsah prevádzkovej a skladovacej teploty: -15 °C až 50 °C

Hmotnosť dielov: 580 g

Odporúčaná úroveň aktivity: 2

Maximálna hmotnosť používateľa: 125 kg

Diel na proximálne zarovnanie: Otočná samčia pyramída (Blatchford)

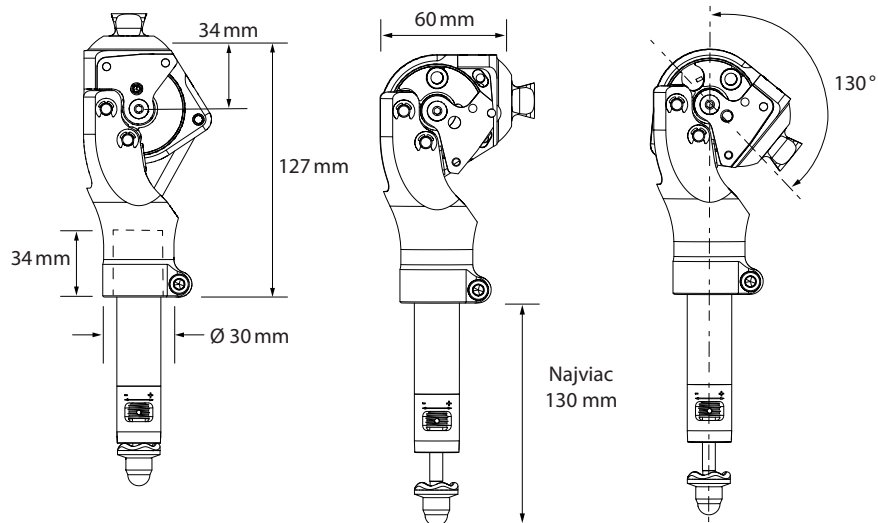
Distálne pripojenie: Objímková svorka s priem. 30 mm (Blatchford)

Výška konštrukcie: 127 mm

Pyramída pri zadnom konci rúrky (+130 mm)

[Pozri *Dĺžka osadenia* na strane 89]

Dĺžka osadenia



14 Informácie pri objednávaní

Príklad objednávky

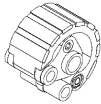


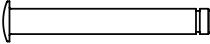


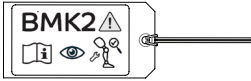

BMK2

14.1 Náhradné diely


Súprava extenzných zarážok 239453

Opis	Množstvo	Nákres
Extenzná zarážka – BMK2	4	
Návod na osadenie	1	

Súprava stabilizačného mechanizmu 239553

Opis	Množstvo	Nákres
Kompaktný stabilizačný mechanizmus	1	
Ľavý kryt proti prachu	1	
Pravý kryt proti prachu	1	
Krížový čap	2	
Vonkajší „E“ krúžok úchyty	2	
Zarovňavací čap	2	
Štítok s nastavovacím upozornením BMK2	1	
Návod na osadenie	1	

Tlmiaci prvok vystierania

Opis	Množstvo	Číslo dielu	Nákres
Tlmiaci prvok vystierania	1	B-0000021	

Spotrebné diely

Opis	Množstvo	Číslo dielu	Nákres
Ošetrovanie mazacím olejom STP	Podľa potreby	928105	
Loctite 222 Screwlock	Podľa potreby	926001	
Loctite 424 Adhesive	Podľa potreby	926104	

Ručenie

Výrobca odporúča používať pomôcku výhradne podľa špecifikovaných podmienok a na to, na čo je určená. Pomôcka sa musí udržiavať podľa priloženého návodu na použitie. Výrobca nezodpovedá za nežiaduci výsledok spôsobený kombináciou ním neschválených komponentov.

Súlad s CE

Tento produkt spĺňa požiadavky nariadenia EÚ 2017/745 o zdravotníckych pomôckach. Produkt je klasifikovaný ako produkt triedy I podľa klasifikačných pravidiel v Dodatku VIII nariadenia. Certifikát o vyhlásení o zhode CE je k dispozícii na nasledujúcej internetovej adrese: www.blatchford.co.uk



Zdravotnícka pomôcka



Jeden pacient –
viacnásobné použitie

Kompatibilnosť

Kombinovanie s produktmi značky Blatchford je schválené na základe testovania v súlade s príslušnými normami a MDR vrátane štruktúrálnej skúšky, rozmerovej kompatibility a vlastností v monitorovanej oblasti.

Kombinovanie s alternatívnymi produktmi so značkou CE treba vykonávať s ohľadom na zdokumentované posúdenie lokálnych rizík odborníkom.

Záruka

Na pomôcku sa vzťahuje 24-mesačná záruka od dátumu prvej kúpy, ak nie je uvedené inak. Na kompaktný stabilizačný mechanizmus sa vzťahuje 12-mesačná záruka od dátumu prvej kúpy, ak nie je uvedené inak. Záruka sa nevzťahuje na opotrebovanie brzdového remienka. Používateľ by mal vedieť, že zmeny alebo úpravy bez jeho výhradného súhlasu by mohli ukončiť platnosť záruky, prevádzkových licencií a výnimiek. Celé vyhlásenie o záruke vrátane opotrebovania nájdete na webovej stránke spoločnosti Blatchford.

Nahlasovanie závažných incidentov

V nepravdepodobnom prípade závažného incidentu v súvislosti s pomôckou ho treba nahlásiť výrobcovi a kompetentnému štátnemu úradu.

Environmentálne aspekty

Tam, kde je to možné, by sa jednotlivé diely mali recyklovať v súlade s miestnymi nariadeniami o nakladaní s odpadom.

Odloženie štítku na balení

Odporúčame odložiť si štítky z balenia ako záznam o dodanej pomôčke.

Potvrdenie o obchodnej známke

Blatchford je registrovaná obchodná známka spoločnosti Blatchford Products Limited.

Sídlo výrobcu



Blatchford Products Limited, Lister Road, Basingstoke RG22 4AH, Spojené kráľovstvo

Tartalom.....	92
1 Leírás és tervezett felhasználás	93
2 Biztonsági információk.....	94
3 Felépítés	95
4 Működés.....	95
5 Karbantartás.....	96
6 A használatot érintő korlátozások.....	97
7 Szintillesztés.....	98
8 Az igazításra vonatkozó tanácsok és stabilitási módosítás.....	99
9 Dinamikus illesztés	100
10 A stabilizáló mechanizmus karbantartása	101
11 Az extenzióütköző karbantartása	105
12 Hibaelhárítás.....	106
13 Műszaki adatok	106
14 Rendelési információk.....	107
14.1 Alkatrészek	107

1 Leírás és tervezett felhasználás

Ezek az instrukciók a klinikusnak/egészségügyi szakembernek szólnak.

A jelen Használati útmutatóban az eszköz kifejezés a BMK2 térdre utal.

Győződjön meg arról, hogy a felhasználó megértette a teljes használati útmutatót, különös tekintettel a karbantartási és biztonsági információkra.

A felhasználónak járástanításban kell részesülnie az eszköz használata előtt.

Alkalmazás

Ez az eszköz kizárólag alsó végtagprotézis részeként alkalmazható.

Az eszköz kompakt, súly által aktivált térd, állítható rugó-extenzió előfeszítéssel.

Az eszköz egy felhasználó általi használatra szolgál.

Funkciók

- Súly által aktivált, állítható támaszvezérlés
- Állítható extenzió előfeszítés kontroll, amely magában foglalja a terminális erőhatás csillapítását
- Maximális hajlási szög: 130°

Aktivítási szint

Ez az eszköz kizárólag 1. és 2. aktivítási szintű felhasználók számára készült. A felhasználó maximális súlyára vonatkozóan lásd: 13. szakasz (*Műszaki adatok*).

1. aktivítási szint

Képesség vagy lehetőség a protézis alkalmazására sík felületeken állandó ütemben való átkelésre vagy járásra. Jellemző a korlátozott vagy korlátlan otthon végzett járásra.

2. aktivítási szint

Képesség vagy lehetőség járásra, alacsony magasságú környezeti akadályokon, például útpadkán, lépcsőn vagy egyenetlen felületeken való áthaladásra. Jellemző az otthonát elhagyni képes felhasználóra.

3. aktivítási szint

Képesség vagy lehetőség változó ütemű járásra. Jellemző a közösségben mozgó felhasználóra, aki képes áthaladni a legtöbb környezeti akadályon, és olyan foglalkozásbeli, terápiás vagy sporttevékenységet űz, amely a protézis egyszerű helyváltoztatáson túli igénybevételével jár.

4. aktivítási szint

Képesség vagy lehetőség protézissel végzett olyan járásra, amely túllép az alapvető járási képességeken, erős behatást, nagy terhelést vagy energiaszintet mutat. A gyermekek, az aktív felnőttek vagy a sportolók protetikusan igényeire jellemző.

Ellenjavallatok

Ez az eszköz nem alkalmas a következő állapotokkal élő felhasználóknak:

- Extrém izomgyengeség, olyan kontraktúrák, amelyeket nem lehet megfelelően ellensúlyozni, vagy proprioceptív diszfunkció, többek közt rossz egyensúly.
- A kontralaterális ízület instabilitása vagy patológiája.
- Komplikált kór állapot, amely többszörös rokkantsággal jár.
- Olyan felhasználók – többek közt kétoldali transzfemorális amputáltak –, akiknek szüksége van a térd hajlás- (yielding) funkciójára ahhoz, hogy lépcsőn le tudjanak menni vagy le tudjanak ülni. Ez a fékmechanizmus sérüléséhez vezethet, ami hátrányosan befolyásolhatja a stabilitást és a tartósságot.

Klinikai előnyök

- A térd stabilizálása teherviselésre zökkenőmentesen aktiválódik, ezáltal biztonságot nyújt álláskor vagy egyenetlen talajon való áthaladáskor, majd a lábujj felemelésekor simán kiold.
- A stabilizáló mechanizmus rugalmas működése korlátozott támaszflexiót biztosít, ami csökkenti az ütődést a sarok leérkezésekor.

2 Biztonsági információk



Ez a figyelmeztető szimbólum fontos és gondosan követendő biztonsági információkat hangsúlyoz.



A térd teljesítményében vagy működésében jelentkező bármilyen változást, például korlátozott mozgást, nem sima mozgást vagy szokatlan zajt haladéktalanul jelenteni kell a szolgáltatónak. A lengési fázis végén, közvetlenül a sarok talajra érkezése előtt, amikor a végtag eléri a teljes extenziót, az extenziórásegítő miatt valamennyi behatási zaj lehet hallható.



Lépcsőn lefelé menet és bármikor, amikor rendelkezésre áll, használjon korlátot. Ne tegye ki szélsőséges melegnek és/vagy hidegnek.



Az eszköz nem arra készült, hogy vízben vagy zuhanyzáshoz viselhető protézisként használják. Ha a térd vízzel érintkezik, azonnal törölje szárazra.



Az eszköz nem alkalmas extrém sportokra, futásra vagy kerékpárversenyre, jégen és havon végzett sportokra, extrém lejtőkre és lépcsőkre. Ilyen és hasonló tevékenységeket a felhasználó csakis saját kockázatára végezhet.



Az eszköz összeszerelését, karbantartását és javítását kizárólag megfelelően képzett egészségügyi szakember végezheti.



Az eszköz szervizelésekor ügyeljen arra, hogy ne legyen kenőanyag a fékdobban.



Ügyeljen arra, hogy vezetéskor csak megfelelően átalakított járművet használjon. Gépjárművek működtetése során minden személynek be kell tartania a vonatkozó vezetési jogszabályokat.



A felhasználónak tilos módosítania vagy manipulálnia az eszköz beállításait.



Javasoljuk, hogy a felhasználó, állapota változásának esetén, forduljon az őt ellátó egészségügyi szakemberhez.



Mindig ügyeljen az ujj becsípődésének veszélyére.



A sarokmagasság bármilyen túlzott mértékű változása az illesztés véglegesítése után hátrányosan befolyásolhatja a végtag működését.

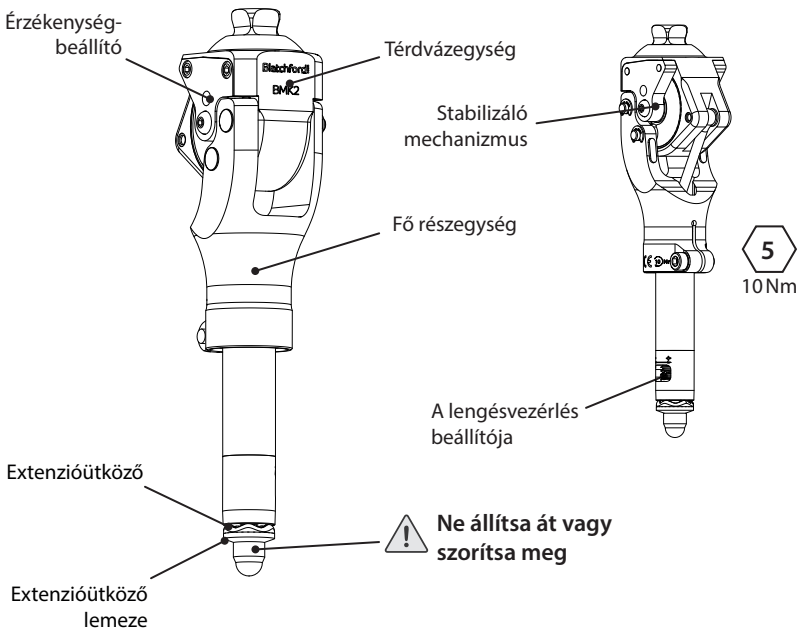
3 Felépítés

Fő alkotóelemek

- Főrézegység (alumínium, rozsdamentes acél, poliuretán, filc)
- Térdváz egység (alumínium, rozsdamentes acél)
- Stabilizáló mechanizmus (alumínium, bronz, acetál homopolimer, poliuretán, szintetikus gumi)

Megjegyzés... a stabilizáló mechanizmusban lévő súrlódó anyag nem tartalmaz azbesztet.

Az alkatrészek azonosítása



4 Működés

A térd súlya aktiválódik, az érzékenység pedig személyre szabható, hogy alkalmazkodjon a felhasználó stabilitási igényeihez.

A lengésvezérlés módosítható a sarokemelés és az extenziós kitérést szabályozó tekercsrugón alkalmazott elő-kompresszió módosításával.

Az eszköz a fékszalag-mechanizmus rugalmasságának köszönhetően állásfázis közbeni hajlítást biztosít a fék működtetésekor.

5 Karbantartás

A karbantartást hozzáértő személynek kell végeznie.

A következő karbantartást javasolt évente elvégezni:

- Ellenőrizze az összes nem-beállító csavar szorosságát (lásd Felépítés szakasz) (NE húzza meg a fedett anyacsavart a disztális végén).
- Tisztítsa meg a fékbetétet, és cserélje ki az extenziós ütközőket (az eljárást lásd: 10 szakasz, *A stabilizáló mechanizmus karbantartása*).
- Szokatlan zajok, például nyikorgás és recsegés, és/vagy csökkent stabilitás esetén végezze el a stabilizáló mechanizmus karbantartását; lásd 10. szakasz, *A stabilizáló mechanizmus karbantartása*. Ha a zajok továbbra is fennállnak, forduljon a Blatchford képviselőjéhez.
- A kopás és elhasználódás az extenzióütközőn elfogadható. Ha túl erős zaj hallatszik a teljes extenziónál, cserélje ki az extenzióütközőt. Lásd 11. szakasz, *Az extenzióütköző karbantartása*.
- Ellenőrizze, hogy a váz mediolaterális holtjátéka nem túlzott-e.
- Ha a fékbetét hátsó szélé elkopott a fékszija műanyagáig, cserélje ki a teljes fékszijat. (Megjegyzés: az egyes alkatrészek nem cserélhetők.)
- Az újbóli összeszerelésnél ellenőrizze, hogy a fékszija iránya helyes-e. Használat előtt mindig ellenőrizze a stabilitást.

A felhasználónak át kell adni a mellékelt Felhasználói útmutatót, és meg kell kérni arra, hogy értesítse az egészségügyi szakembert a következőkről:

- A testsúly vagy az aktivitási szint bármilyen változásáról
- Az eszköz teljesítményének bármilyen változásáról

A teljesítmény megváltozásába tartozhat például:

- Korlátozott lengés
- A lengés akadálytalanságának megváltozása
- Csökkent stabilitás állás során
- Bármilyen szokatlan zaj

Tisztítás

Nedves ruhával és enyhe szappanos vízzel tisztítsa meg a külső felületeket. NE használjon agresszív tisztítószeret. Használat előtt alaposan szárítsa meg.

6 A használatot érintő korlátozások

Tervezett élettartam

A termék élettartamára jótállási időszak érvényes. Helyi kockázatértékelést kell végezni az aktivitás és a felhasználás alapján.

Tehershordozás

A felhasználó súlyát és aktivitását a megállapított határértékek szabályozzák.

A felhasználó által hordozható terhet a helyi kockázatértékelés alapján kell meghatározni.

Megjegyzés... Az eszközt súly aktiválja. Súly hordozása az állástámogatás nagyobb mértékű aktiválódását okozhatja.

Környezet

Ne tegye ki az eszközt korrozív anyagoknak, például víznek, savaknak vagy más folyadékoknak.



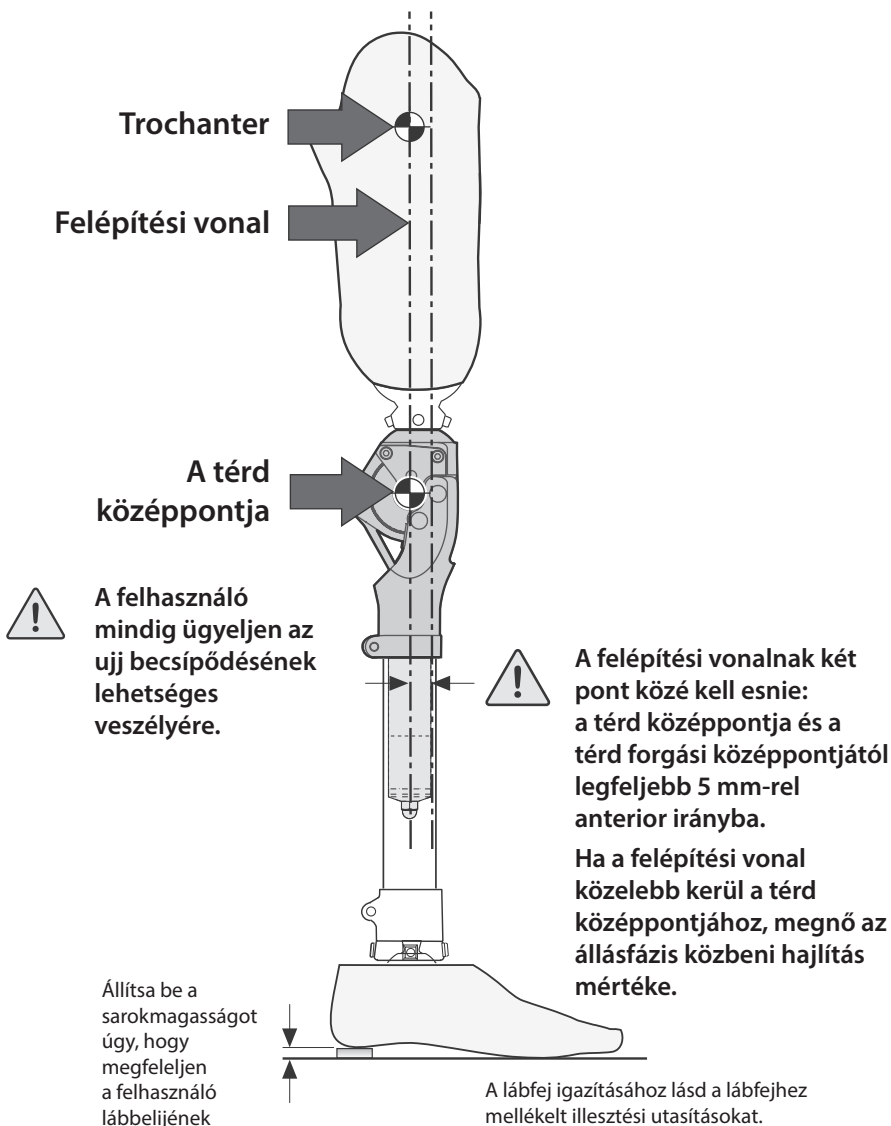
Kerülje a dörzshatású – például homokos – környezetet is, mivel ez elősegítheti az idő előtti kopást.

Kizárólag -15 °C és 50 °C közötti használatra.

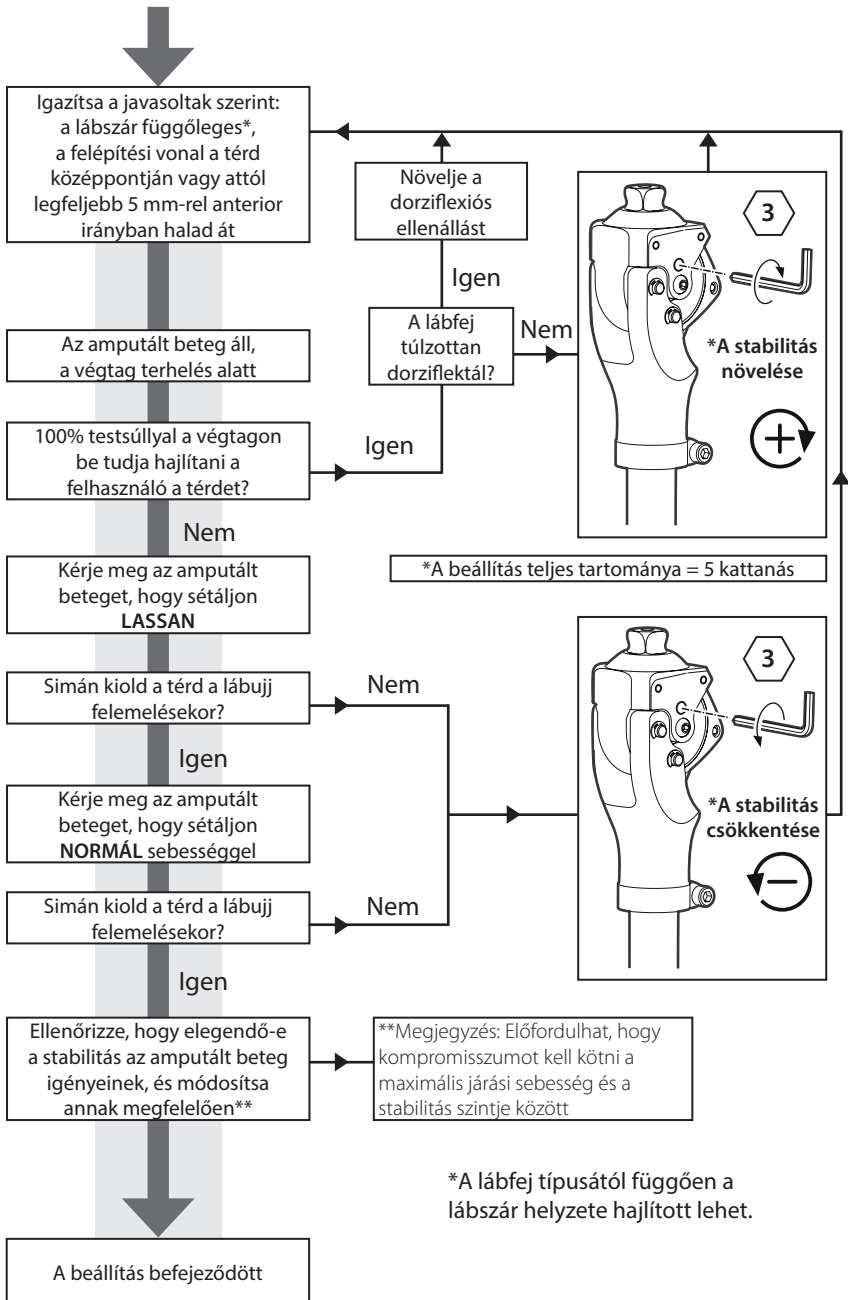
Szabadtéri használatra alkalmas

7 Szintillesztés

A felépítési vonal pozicionálása kulcsfontosságú, amikor a protézist használatra az eszközhöz igazítja. A térdet úgy kell igazítani, hogy mértanilag stabil legyen. Ha a hajlítás teljes mértékben illeszkedik a foglalatba, a felépítési vonalnak át kell haladnia a tomporon és a térd középpontján vagy egy ezzel párhuzamos vonalon, a térd középpontjától legfeljebb 5 mm-rel anterior irányba.



8 Az igazításra vonatkozó tanácsok és stabilitási módosítás

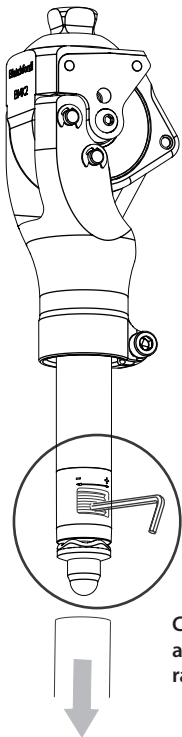


9 Dinamikus illesztés

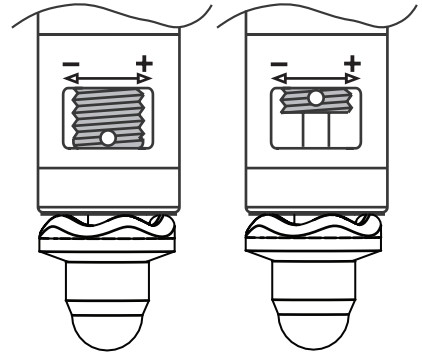
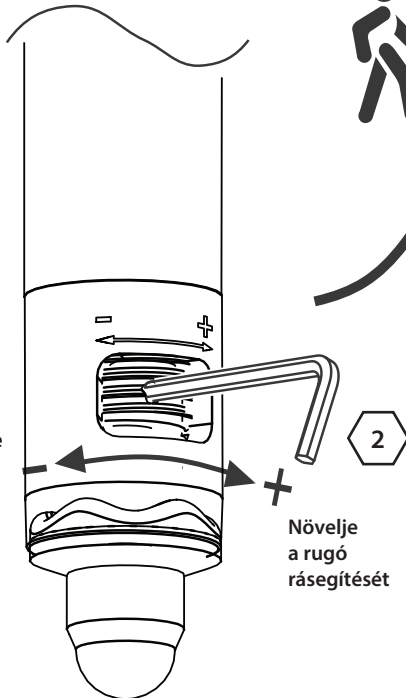
A lengésvezérlés beállítása (extenziós kitérés)

Megjegyzés: Kézi működtetés esetén a terminális erőhatás csillapításának aktiválódását közvetlenül a teljes extenzió előtt érezheti. Ez normális.

Helyzet	Megoldás
A sarok túl magasra emelkedik a lengés során, vagy az eszköz nem nyúlik ki teljesen a lengés során.	Növelje a rugó rásegítését
A sarok túl alacsonyra emelkedik a lengés során, vagy a felhasználó terminális erőhatást tapasztal.	Csökkentse a rugó rásegítését



Csökkentse a rugó rásegítését

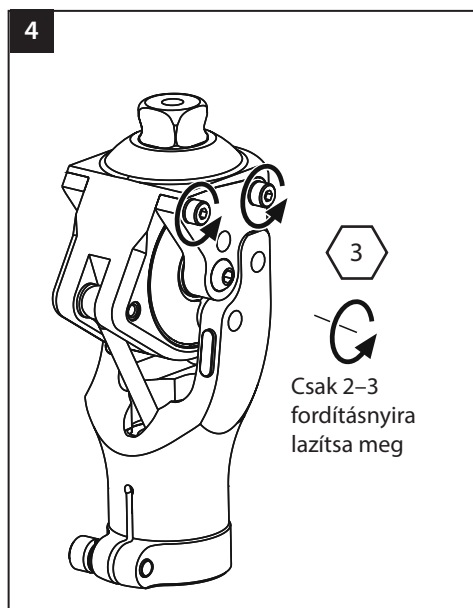
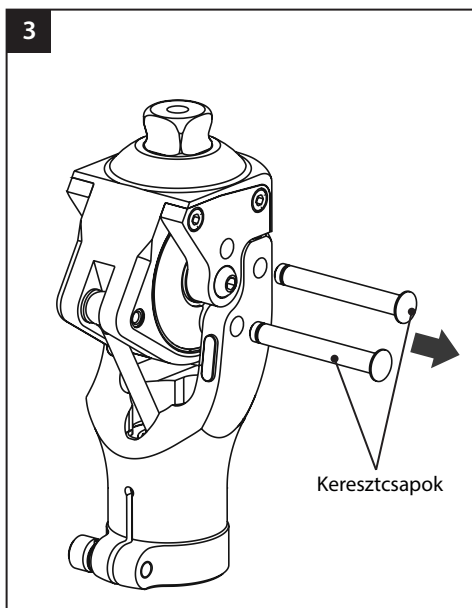
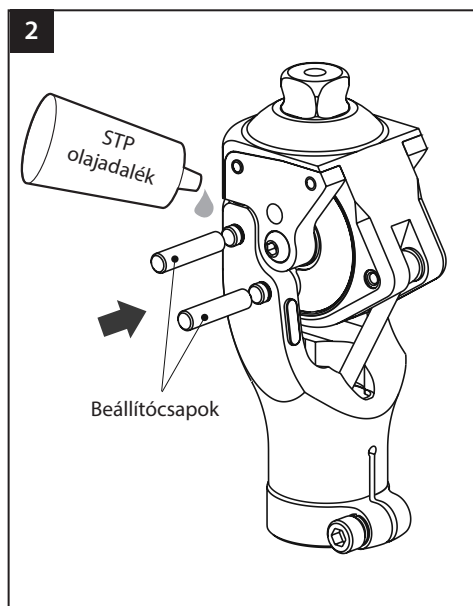
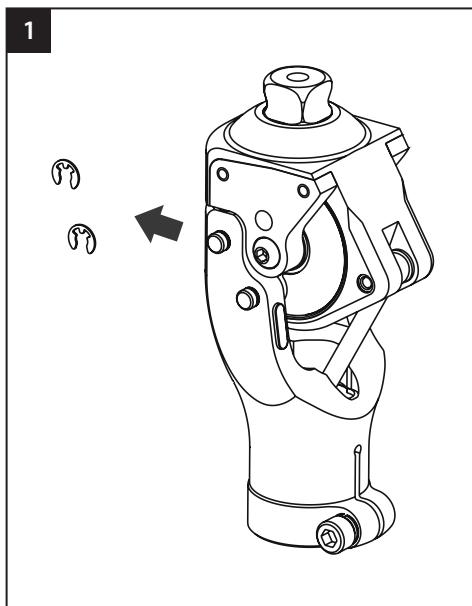


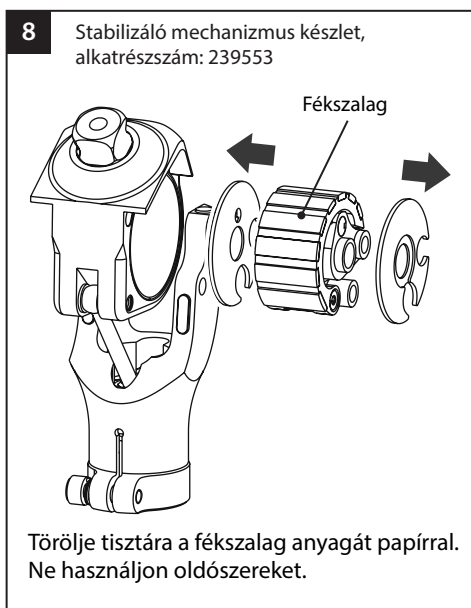
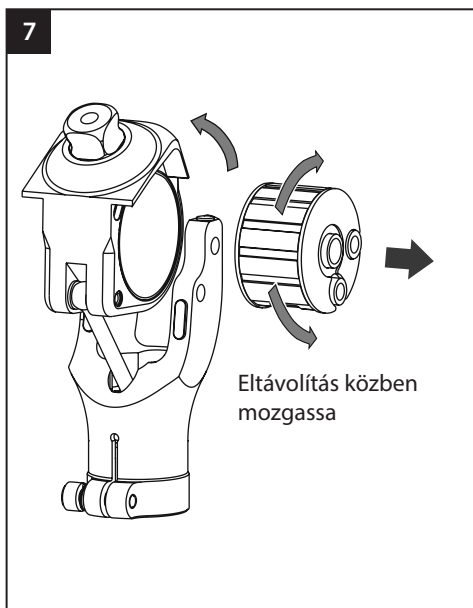
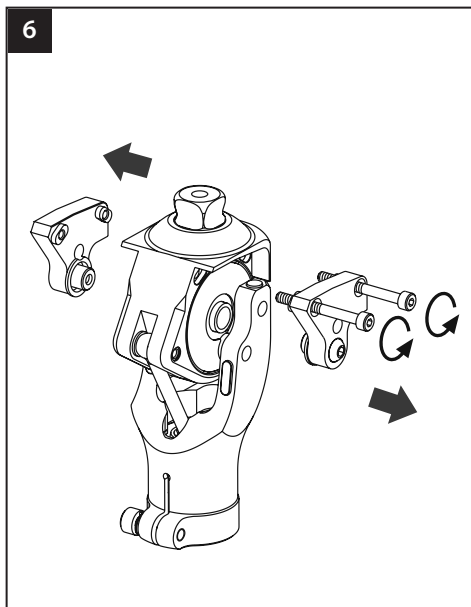
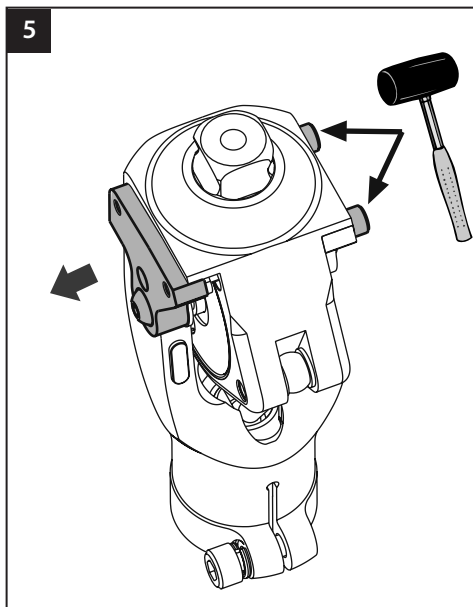
Növelje a rugó rásegítését

10 A stabilizáló mechanizmus karbantartása

⚠ **Mindig használjon megfelelő egészségvédő és biztonsági felszerelést, és elszívó berendezést is.**

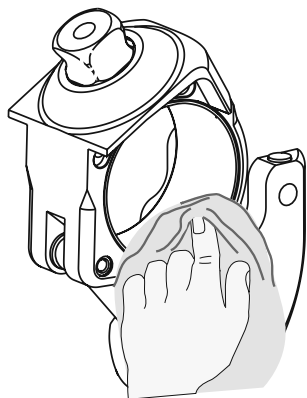
⚠ **Mindig figyeljen az ujj becsípődésének veszélyére.**



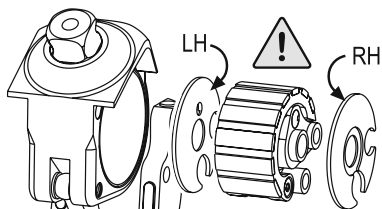


9

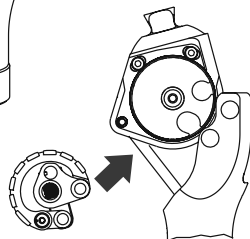
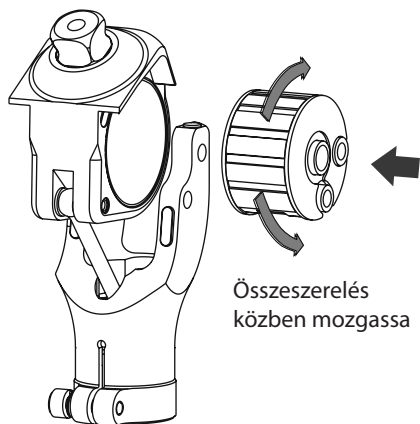
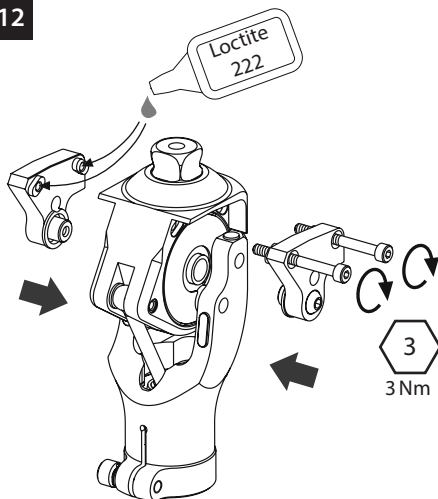
Megfelelő oldószerral tisztítsa meg a furatot.

**10**

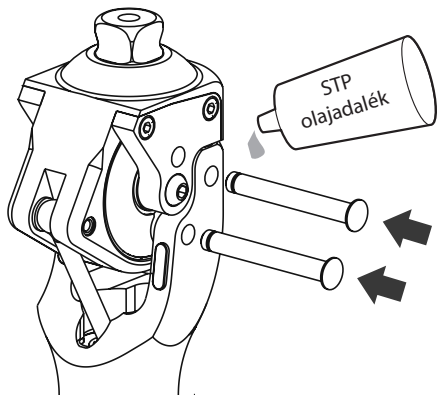
Újbóli összeszerelés



Ügyeljen a mechanizmus irányára

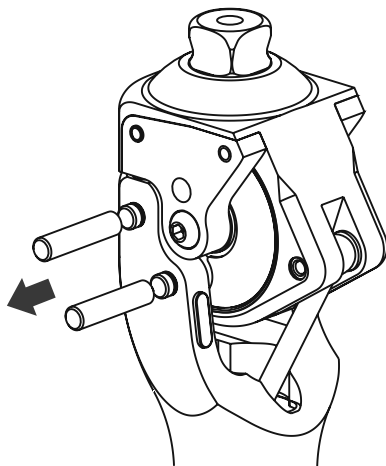
**11****12**

- 13** Vigyen fel a keresztcsapokra vékony réteg kenőanyagot (alkatrészszám: 928105).

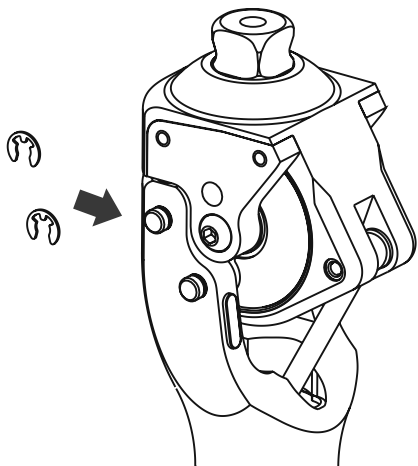


! Ügyeljen arra, hogy ne kerüljön kenőanyag a fékdobba. Ez instabillá teheti az eszközt.

14



15



16

Évente cserélje ki mind a négy extenziós ütközőt. Extenziósütköző-készlet, alkatrészszám 239453

Extenziós ütközők



Karbantartást követően fontos, hogy ellenőrizze a felhasználó stabilitási beállítását. Lásd a folyamatábrát Az igazításra vonatkozó tanácsok és stabilitási módosítás című részben.

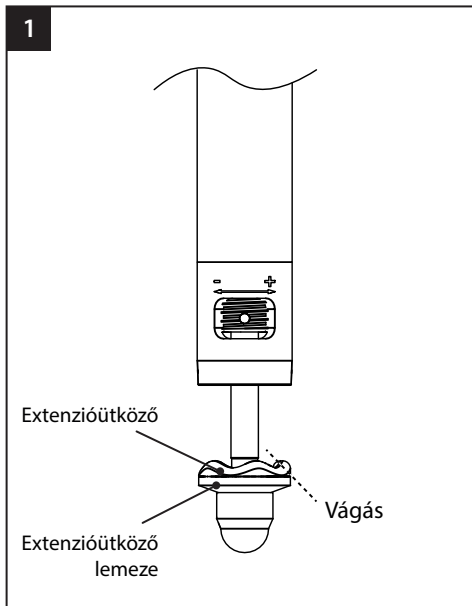
11 Az extenzióütköző karbantartása



Mindig használjon megfelelő egészségvédő és biztonsági felszerelést, és elszívó berendezést is.

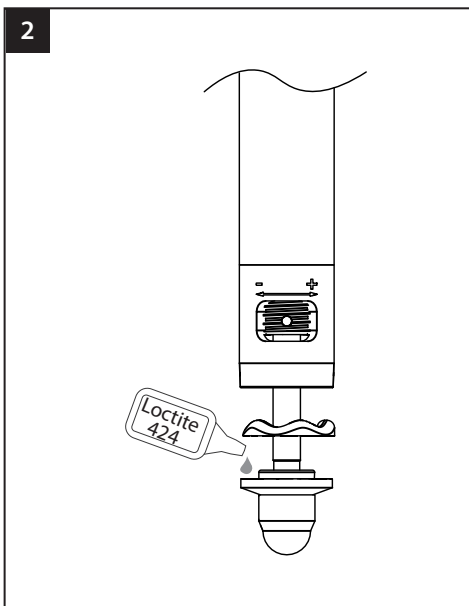


Mindig ügyeljen az ujj becsípődésének veszélyére.



Késsel vágja le és távolítsa el a régi extenzióütközőt.

Megfelelő oldószerrel tisztítsa meg az extenzióütköző felső felületét.



Feszítse az új extenzióütközőt az extenzióütköző lemeze.

Loctite 424 pillanatragasztóval rögzítse az extenzióütközőt az extenzióütköző lemezére.

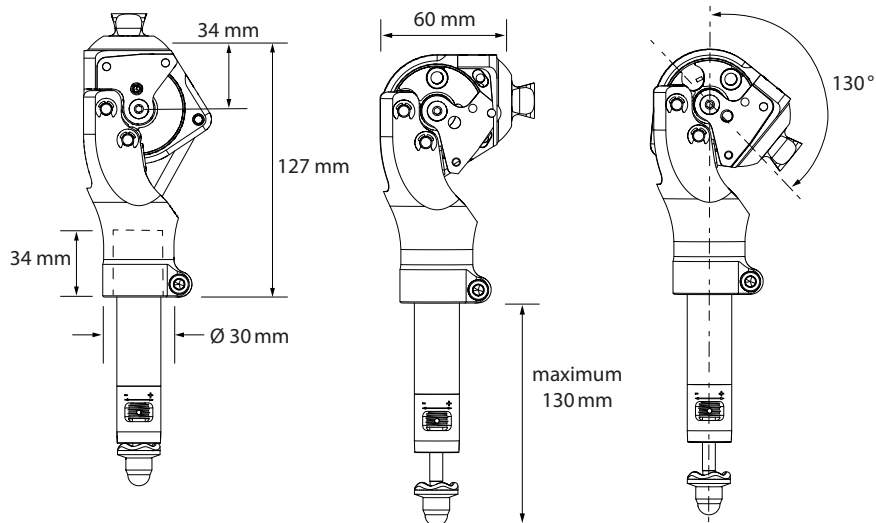
12 Hibaelhárítás

Tünet	Megoldás
Túl erős zaj a térdből.	Tisztítsa meg a fékszíjat és a fékdobot. Vigyen fel kenőanyagot a forgócsapokra. <i>Az eljárást lásd: 10. szakasz, A stabilizáló mechanizmus karbantartása</i>
A térd nem stabilizálódik.	Ellenőrizze a stabilitási beállítást. Lásd 8. szakasz, <i>Az igazításra vonatkozó tanácsok és stabilitási módosítás.</i> Tisztítsa meg a fékdobot. Ellenőrizze, hogy a fékbetét nem kopott-e, és cserélje ki a stabilizáló mechanizmust, ha a fék hátsó széle sérült. <i>Az eljárást lásd: 10. szakasz, A stabilizáló mechanizmus karbantartása</i>
A térd nem old ki.	Ellenőrizze a stabilitási beállítást. Lásd 8. szakasz, <i>Az igazításra vonatkozó tanácsok és stabilitási módosítás.</i>

13 Műszaki adatok

Üzemi és tárolási hőmérséklet-tartomány:	-15°C–50°C
Az alkatrész súlya:	580 g
Ajánlott aktivitási szint:	2
A felhasználó maximális súlya:	125 kg
Proximális igazítás csatlakozása:	Forgó csatlakozódugós piramis (Blatchford)
Disztális tartozék	30 mm átmérőjű csőbilincs (Blatchford)
A szerkezet magassága:	127 mm
Proximális piramis a disztális csővégig	(+130 mm)
[Lásd: <i>Illesztési magasság</i> , a 107. oldalon]	

Illesztési magasság





14 Rendelési információk

Megrendelési példa

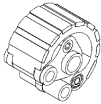


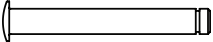

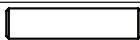
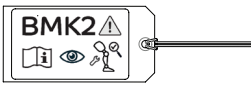

BMK2

14.1 Alkatrészek


Extenzióütköző-készlet 239453

Leírás	Menny.	Ábra
Extenzióütköző BMK2	4	
Illesztési útmutató	1	


Stabilizáló mechanizmus készlet 239553

Leírás	Menny.	Ábra
Kompakt stabilizáló mechanizmus	1	
Porvédő LH	1	
Porvédő RH	1	
Keresztcsap	2	
Külső E rögzítőgyűrű	2	
Beállítócsap	2	
BMK2 figyelmeztető címke beállításhoz	1	
Illesztési útmutató	1	

Extenzióütköző

Leírás	Menny.	Alkatrészszám	Ábra
Extenzióütköző	1	B-0000021	

Fogyóeszközök

Leírás	Menny.	Alkatrészszám	Ábra
STP olajadalék	szükség szerint	928105	
Loctite 222 csavarzár	szükség szerint	926001	
Loctite 424 ragasztó	szükség szerint	926104	

Felelősség

A gyártó azt javasolja, hogy az eszközt csak a megadott körülmények között és a tervezett célokra használják. Az eszköz karbantartását az ahhoz mellékelte használati útmutató szerint kell végezni. A gyártó nem felel semmi olyan káros következményért, amelyet általa jóvá nem hagyott alkatrész-kombináció okoz.

CE-megfelelőség

Ez a termék megfelel az orvostechikai eszközökre vonatkozó 2017/745 európai uniós rendelet követelményeinek. Ezt a terméket I. osztályú termékként sorolták be a rendelet VIII. mellékletében meghatározott osztályozási szabályok szerint. Az európai uniós megfelelőségi nyilatkozat a következő internetes oldalon érhető el: www.blatchford.co.uk



Orvostechikai eszköz



Egy beteg – többszöri felhasználás

Kompatibilitás

A Blatchford márkájú termékekkel való összeállítás a vonatkozó szabványok és az orvostechikai eszközökre vonatkozó rendelet (MDR) szerint végzett szerkezeti, méretkompatibilitást és a felhasználási területen felügyelet alatt végzett vizsgálatokat magában foglaló tesztelés alapján engedélyezett.

Más, CE-jelzéssel ellátott termékekkel való összeállítást egészségügyi szakember által végzett, dokumentált helyi kockázatértékelésre figyelemmel kell elvégezni.

Jótállás

Az eszközre más nyilatkozat hiányában az eredeti vásárlás napjától 24 hónapos jótállás vonatkozik. A kompakt stabilizáló mechanizmusra más nyilatkozat hiányában az eredeti vásárlás napjától 12 hónapos jótállás vonatkozik. A jótállás nem vonatkozik a fékszíj kopására és elhasználódására. A felhasználónak tisztában kell lennie azzal, hogy a kifejezetten jóvá nem hagyott változtatások vagy módosítások érvényteleníthetik a jótállást, a működési engedélyeket és mentességeket. A teljes jótállási nyilatkozatot – mely a kopást és az elhasználódást is érinti – lásd a Blatchford weboldalán.

A súlyos incidensek jelentése

Abban a valószínűtlen esetben, ha súlyos incidens történne az eszközzel kapcsolatban, azt jelenteni kell a gyártónak és az illetékes nemzeti hatóságnak.

Környezetvédelmi szempontok

Hacsak lehetséges, az alkatrészeket a helyi hulladékkezelési szabályozások szerint újra kell hasznosítani.

A csomagolás címkéjének megőrzése

Javasoljuk, hogy őrizze meg a csomagolás címkéjét a biztosított eszköz dokumentálásaként.

Védjegyre vonatkozó elismervények

A Blatchford a Blatchford Products Limited bejegyzett védjegye.

A gyártó székhelye



Blatchford Products Limited, Lister Road, Basingstoke RG22 4AH, Egyesült Királyság

Περιεχόμενα.....	110
1 Περιγραφή και σκοπός για τον οποίο προορίζεται.....	111
2 Πληροφορίες για την ασφάλεια.....	112
3 Κατασκευή.....	113
4 Λειτουργία.....	113
5 Συντήρηση.....	114
6 Περιορισμοί για τη χρήση.....	115
7 Εργαστηριακή ευθυγράμμιση.....	116
8 Συμβουλές ευθυγράμμισης και προσαρμογή σταθερότητας.....	117
9 Δυναμική ευθυγράμμιση.....	118
10 Συντήρηση του μηχανισμού σταθεροποίησης.....	119
11 Συντήρηση αποσβεστήρα έκτασης.....	123
12 Αντιμέτωπιση προβλημάτων.....	124
13 Τεχνικά στοιχεία.....	124
14 Πληροφορίες παραγγελίας.....	125
14.1 Ανταλλακτικά.....	125

1 Περιγραφή και σκοπός για τον οποίο προορίζεται

Οι οδηγίες αυτές απευθύνονται στον ιατρό.

Ο όρος *συσσκευή* όπως χρησιμοποιείται σε αυτές τις οδηγίες χρήσης αναφέρεται στο γόνατο ΒΜΚ2.

Βεβαιωθείτε ότι ο χρήστης έχει κατανοήσει όλες τις οδηγίες χρήσης, εφιστώντας ιδιαίτερα την προσοχή σε όλες τις ενότητες με πληροφορίες για τη συντήρηση και την ασφάλεια.

Οι χρήστες πρέπει να εκπαιδευτούν στο βάδισμα πριν χρησιμοποιήσουν αυτή τη συσκευή.

Εφαρμογή

Η συσκευή αυτή πρέπει να χρησιμοποιείται αποκλειστικά ως μέρος μιας πρόθεσης κάτω άκρου.

Η συσκευή είναι ένα συμπαγές γόνατο που ενεργοποιείται με το βάρος με ρυθμιζόμενη ελατηριωτή απόκλιση έκτασης.

Η συσκευή αυτή προορίζεται για έναν μόνο χρήστη.

Χαρακτηριστικά

- Ρυθμιζόμενος έλεγχος στήριξης που ενεργοποιείται με το βάρος
- Ρυθμιζόμενη ελατηριωτή απόκλιση έκτασης με ενσωματωμένη απόσβεση τελικής πρόσκρουσης
- Μέγιστη γωνία κάμψης 130°

Επίπεδο σωματικής δραστηριότητας

Αυτή η συσκευή προορίζεται για χρήστες με επίπεδο σωματικής δραστηριότητας 1 και 2 μόνο.

Για το μέγιστο βάρος χρήστη, ανατρέξτε στην ενότητα 13 *Τεχνικά στοιχεία*.

Επίπεδο σωματικής δραστηριότητας 1

Ο χρήστης έχει την ικανότητα ή τη δυνατότητα να χρησιμοποιεί πρόθεση για μετακινήσεις ή βάδισμα σε επίπεδες επιφάνειες, με σταθερό ρυθμό. Αυτό είναι χαρακτηριστικό του περιορισμένου και μη περιορισμένου περιπατητή μέσα στο σπίτι.

Επίπεδο σωματικής δραστηριότητας 2

Ο χρήστης έχει την ικανότητα ή τη δυνατότητα για βάδισμα και μπορεί να διαβαίνει περιβαλλοντικά εμπόδια χαμηλού επιπέδου, όπως πεζοδρόμια, σκαλιά ή ανώμαλες επιφάνειες. Αυτό είναι χαρακτηριστικό του περιορισμένου περιπατητή που βγαίνει στην κοινωνία.

Επίπεδο σωματικής δραστηριότητας 3

Ο ασθενής έχει την ικανότητα ή τη δυνατότητα για βάδισμα με μεταβλητό ρυθμό. Αυτό είναι χαρακτηριστικό του περιπατητή που βγαίνει στην κοινωνία, ο οποίος έχει την ικανότητα να διαβαίνει τα περισσότερα περιβαλλοντικά εμπόδια και μπορεί να διεξάγει επαγγελματική, θεραπευτική ή αθλητική δραστηριότητα που απαιτεί προσθετική χρήση πέρα από την απλή μετακίνηση.

Επίπεδο σωματικής δραστηριότητας 4

Ο ασθενής έχει την ικανότητα ή τη δυνατότητα για προσθετική βάδισμα που υπερβαίνει τη βασική ικανότητα βάδισμα, επιδεικνύοντας υψηλά επίπεδα πρόσκρουσης, καταπόνησης ή ενέργειας. Αυτό είναι χαρακτηριστικό των προσθετικών απαιτήσεων ενός παιδιού, δραστήριου ενήλικα ή αθλητή.

Αντενδείξεις

Η συσκευή αυτή δεν είναι κατάλληλη για χρήστες με:

- Ακραία μυϊκή αδυναμία, συσπάσεις που δεν μπορούν να αντιμετωπιστούν σωστά ή ιδιοδεκτική δυσλειτουργία, συμπεριλαμβανομένης της ανεπαρκούς ισορροπίας.
- Αστάθειες ή παθολογία της αντίπλευρης άρθρωσης.
- Πολύπλοκες συνθήκες που περιλαμβάνουν πολλαπλές αναπηρίες.
- Χρήστες, συμπεριλαμβανομένων χρηστών με αμφίπλευρο διαμηριαίο ακρωτηριασμό, που απαιτούν λειτουργία υποχώρησης από το γόνατο για να μπορούν να κατεβαίνουν σκάλες ή να κάθονται. Αυτό μπορεί να οδηγήσει σε βλάβη στον μηχανισμό πέδησης, η οποία μπορεί να επηρεάσει αρνητικά τη σταθερότητα και την αντοχή.

Κλινικά οφέλη

- Η σταθεροποίηση του γόνατος ενεργοποιείται ομαλά κατά την εφαρμογή βάρους, ώστε να παρέχει ασφάλεια όταν ο χρήστης σηκώνεται από την καθιστή στάση και όταν διασχίζει ανώμαλο έδαφος. Στη συνέχεια απελευθερώνεται καθαρά κατά την απομάκρυνση των δακτύλων.
- Η προσαρμοστική δράση του μηχανισμού σταθεροποίησης παρέχει περιορισμένη κάμψη κατά τη στήριξη, η οποία μειώνει την πρόσκρουση κατά την κρούση της πτέρνας.

2 Πληροφορίες για την ασφάλεια



Αυτό το προειδοποιητικό σύμβολο επισημαίνει σημαντικές πληροφορίες για την ασφάλεια, οι οποίες πρέπει να ακολουθούνται προσεκτικά.



Τυχόν αλλαγές στην απόδοση ή τη λειτουργία του γόνατος, π.χ. περιορισμένη κίνηση, ανώμαλη κίνηση ή ασυνήθιστοι θόρυβοι, θα πρέπει να αναφέρονται αμέσως στον πάροχο υπηρεσιών σας. Κατά τη διάρκεια της τελικής αιώρησης, αμέσως πριν την κρούση της πτέρνας, ίσως να ακουστεί κάποιος θόρυβος πρόσκρουσης λόγω της υποβοήθησης έκτασης, καθώς το άκρο φτάνει στην πλήρη έκταση.



Χρησιμοποιείτε πάντα χειρολισθήρα όταν κατεβαίνετε σκάλες και οποιαδήποτε άλλη στιγμή, εφόσον είναι διαθέσιμος.

Αποφύγετε την έκθεση σε υπερβολική ζέστη ή/και υπερβολικό κρύο.



Η συσκευή δεν προορίζεται για χρήση στο νερό ή ως πρόθεση κατά το ντους. Αν το γόνατο έλθει σε επαφή με νερό, σκουπίστε το αμέσως με ένα πανί.



Η συσκευή δεν είναι κατάλληλη για ακραία αθλήματα, αγώνες δρόμου ή ποδηλάτου, αθλήματα στον πάγο και το χιόνι, μεγάλες κλίσεις και ψηλά σκαλιά. Η συμμετοχή σε τέτοιες δραστηριότητες γίνεται αποκλειστικά με ανάληψη του κινδύνου από τους χρήστες.



Η συναρμολόγηση, η συντήρηση και η επισκευή της συσκευής πρέπει να διενεργούνται μόνο από ιατρό με τα κατάλληλα προσόντα.



Όταν κάνετε σέρβις στη συσκευή, βεβαιωθείτε ότι δεν υπάρχει γράσο μέσα στο ταμπόρο του φρένου.



Βεβαιωθείτε ότι χρησιμοποιούνται μόνο οχήματα με κατάλληλες μετατροπές κατά την οδήγηση. Όλα τα άτομα υποχρεούνται να τηρούν τους αντίστοιχους νόμους οδικής κυκλοφορίας όταν χειρίζονται μηχανοκίνητα οχήματα.



Ο χρήστης δεν πρέπει να ρυθμίζει τη συσκευή ή να παρεμβαίνει στη ρύθμισή της.



Ο χρήστης θα πρέπει να συμβουλευτείται να επικοινωνήσει με τον ιατρό του σε περίπτωση αλλαγής της κατάστασής του.



Να προσέχετε για τυχόν κίνδυνο παγίδευσης δακτύλων ανά πάσα στιγμή.



Τυχόν υπερβολικές αλλαγές στο ύψος της πτέρνας μετά την ολοκλήρωση της ευθυγράμμισης ενδέχεται να επηρεάσουν δυσμενώς τη λειτουργία των άκρων.

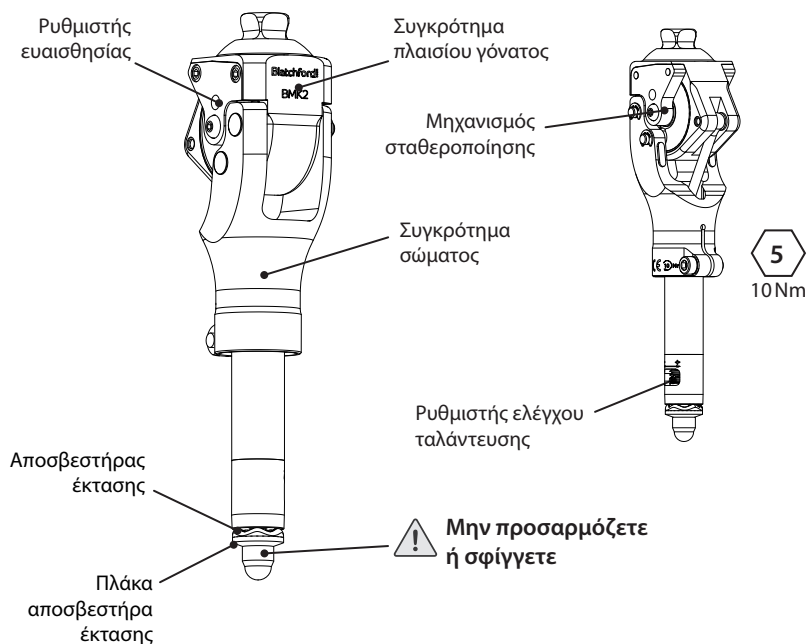
3 Κατασκευή

Κύρια μέρη

- Συγκρότημα κυρίως σώματος (αλουμίνιο, ανοξείδωτος χάλυβας, πολυουρεθάνη, τσόχα)
- Συγκρότημα πλαισίου γόνατος (αλουμίνιο, ανοξείδωτος χάλυβας)
- Μηχανισμός σταθεροποίησης (αλουμίνιο, ορείχαλκος, πολυακετάλη, πολυουρεθάνη, συνθετικό ελαστικό)

Σημείωση... Το υλικό τριβής στον μηχανισμό σταθεροποίησης δεν περιέχει αμίαντο.

Αναγνώριση εξαρτημάτων



4 Λειτουργία

Το γόνατο ενεργοποιείται με το βάρος και η ευαισθησία μπορεί να προσαρμοστεί ώστε να ταιριάζει με τις απαιτήσεις σταθερότητας του χρήστη.

Ο έλεγχος ταλάντευσης μπορεί να ρυθμιστεί μεταβάλλοντας τη συμπίεση σε ένα σπειροειδές ελατήριο που ελέγχει την ανύψωση της πτέρνας και την απόκλιση έκτασης.

Η συσκευή παρέχει κάμψη κατά τη στήριξη, όταν ενεργοποιείται η πέδηση, ως αποτέλεσμα της προσαρμοστικότητας του μηχανισμού της ζώνης πέδησης.

5 Συντήρηση

Η συντήρηση πρέπει να εκτελείται από αρμόδιο προσωπικό.

Συνιστάται να εκτελείτε την ακόλουθη συντήρηση σε ετήσια βάση:

- Ελέγξτε αν είναι καλά σφιγμένες όλες οι βίδες πλην των βιδών ρύθμισης (ανατρέξτε στην ενότητα Κατασκευή) (ΜΗ σφίγγετε το καλυμμένο παξιμάδι στο περιφερικό άκρο).
- Καθαρίστε το τακάκι φρένου και αντικαταστήστε τα στοπ έκτασης (ανατρέξτε στην ενότητα 10 Συντήρηση του μηχανισμού σταθεροποίησης για τη διαδικασία).
- Σε περίπτωση ασυνήθιστων θορύβων όπως συριγμοί και τριγμοί ή/και μειωμένης σταθερότητας, εκτελέστε συντήρηση του μηχανισμού σταθεροποίησης, ανατρέξτε στην ενότητα 10 Συντήρηση του μηχανισμού σταθεροποίησης. Αν οι θόρυβοι επιμείνουν, επικοινωνήστε με τον αντιπρόσωπο της Blatchford.
- Η φθορά από τη χρήση και τον χρόνο στον αποσβεστήρα έκτασης είναι αποδεκτή. Σε περίπτωση υπερβολικού θορύβου κατά την πλήρη έκταση, αντικαταστήστε τον αποσβεστήρα έκτασης. Ανατρέξτε στην ενότητα 11 Συντήρηση αποσβεστήρα έκτασης.
- Ελέγξτε για υπερβολικό μεσοπλευρικό τζόγο του πλαισίου.
- Αν το πίσω άκρο της ταινίας τακακιών φρένου έχει φθαρεί τόσο ώστε να έχει αποκαλυφθεί το πλαστικό τμήμα της ταινίας φρένου, αντικαταστήστε ολόκληρη την ταινία φρένου. (Σημείωση: Δεν είναι δυνατή η αντικατάσταση μεμονωμένων τακακιών.)
- Κατά την επανασυναρμολόγηση, βεβαιωθείτε ότι ο προσανατολισμός της ταινίας φρένου είναι σωστός. Πάντα να ελέγχετε τη σταθερότητα πριν τη χρήση.

Πρέπει να δοθεί στον χρήστη ο παρεχόμενος Οδηγός χρήσης και να του δοθεί η συμβουλή να αναφέρει τα ακόλουθα στον ιατρό:

- Τυχόν αλλαγές στο σωματικό βάρος ή το επίπεδο σωματικής δραστηριότητας
- Τυχόν αλλαγές στην απόδοση αυτής της συσκευής

Οι αλλαγές στην απόδοση μπορεί να περιλαμβάνουν τα εξής:

- Περιορισμένη ταλάντευση
- Αλλαγές στην ομαλότητα της ταλάντευσης
- Μειωμένη σταθερότητα κατά τη διάρκεια της στήριξης
- Τυχόν ασυνήθιστο θόρυβο

Καθαρισμός

Χρησιμοποιήστε υγρό πανί και ήπιο σαπούνι για να καθαρίσετε τις εξωτερικές επιφάνειες. ΜΗ χρησιμοποιείτε επιθετικά καθαριστικά. Στεγνώστε καλά πριν τη χρήση.

6 Περιορισμοί για τη χρήση

Προβλεπόμενη διάρκεια ζωής

Η διάρκεια ζωής του προϊόντος καλύπτεται από την περίοδο εγγύησης - θα πρέπει να διεξαχθεί επιτόπια αξιολόγηση κινδύνου βάσει της δραστηριότητας και της χρήσης.

Άρση φορτίου

Το βάρος και η δραστηριότητα του χρήστη εξαρτώνται από τα αναφερόμενα όρια.

Η μεταφορά φορτίου από τον χρήστη θα πρέπει να βασίζεται σε επιτόπια αξιολόγηση κινδύνου.

Σημείωση... Η συσκευή ενεργοποιείται με το βάρος και η μεταφορά φορτίων μπορεί να προκαλέσει ευκολότερη εμπλοκή της υποστήριξης της στήριξης.

Περιβάλλον

Αποφύγετε την έκθεση της συσκευής σε διαβρωτικά στοιχεία όπως νερό, οξέα και άλλα υγρά.



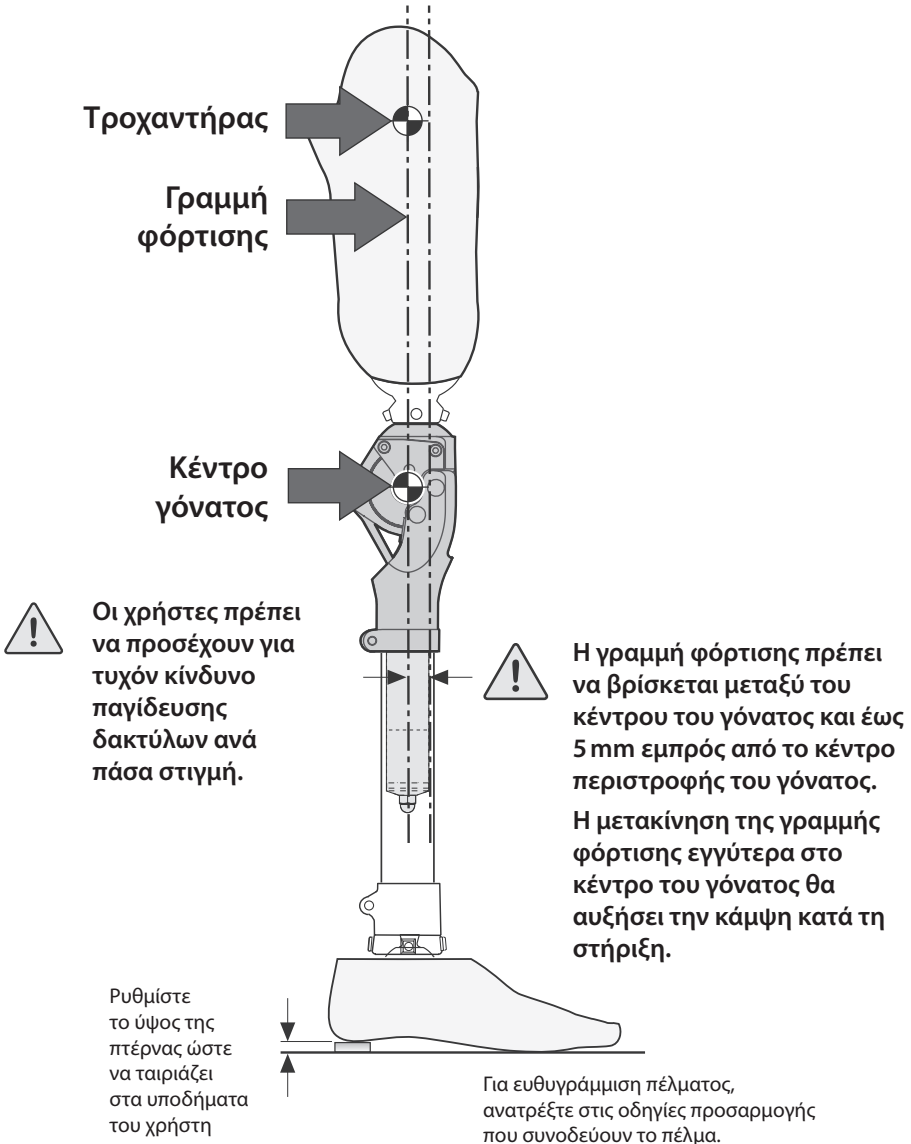
Αποφύγετε επίσης διαβρωτικά περιβάλλοντα, όπως αυτά που περιέχουν άμμο, για παράδειγμα, καθώς αυτά μπορεί να προκαλέσουν την πρόωρη φθορά.

Κατάλληλο για εξωτερική χρήση

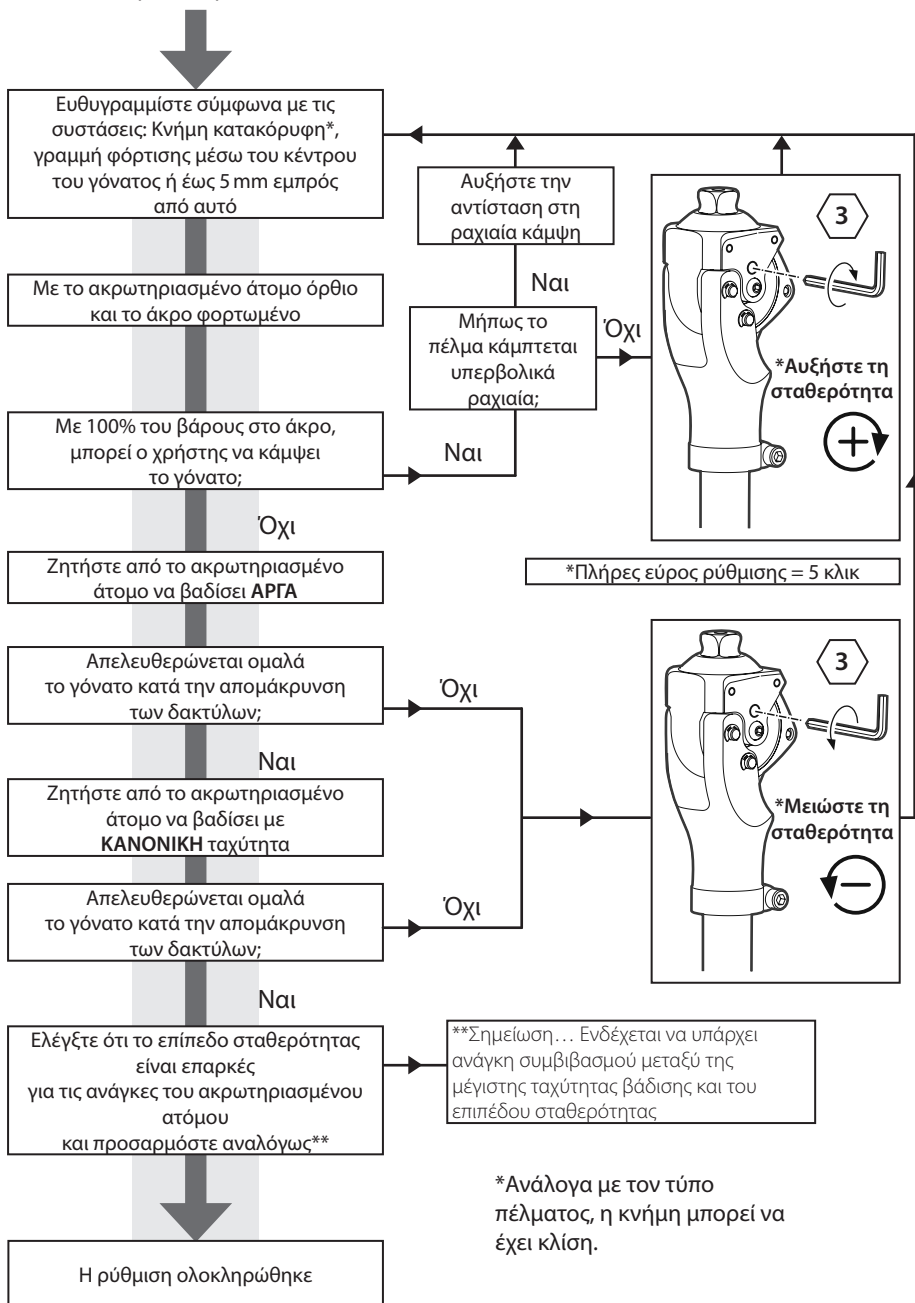
Αποκλειστικά για χρήση σε θερμοκρασία μεταξύ -15 °C και 50 °C

7 Εργαστηριακή ευθυγράμμιση

Κατά την ευθυγράμμιση της πρόθεσης για χρήση με τη συσκευή, η τοποθέτηση της γραμμής φόρτισης είναι ζωτικής σημασίας. Το γόνατο θα πρέπει να ευθυγραμμιστεί έτσι ώστε να είναι γεωμετρικά σταθερό. Με την κάμψη πλήρως προσαρμοσμένη στη θήκη, η γραμμή φόρτισης πρέπει να διέρχεται μέσω του τροχαντήρα και του κέντρου του γόνατος, ή σε παράλληλη γραμμή με αυτά, έως και 5 mm εμπρός από το κέντρο του γόνατος.



8 Συμβουλές ευθυγράμμισης και προσαρμογή σταθερότητας

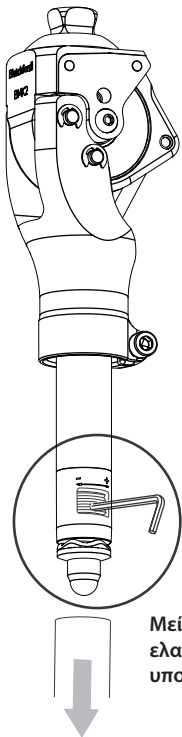


9 Δυναμική ευθυγράμμιση

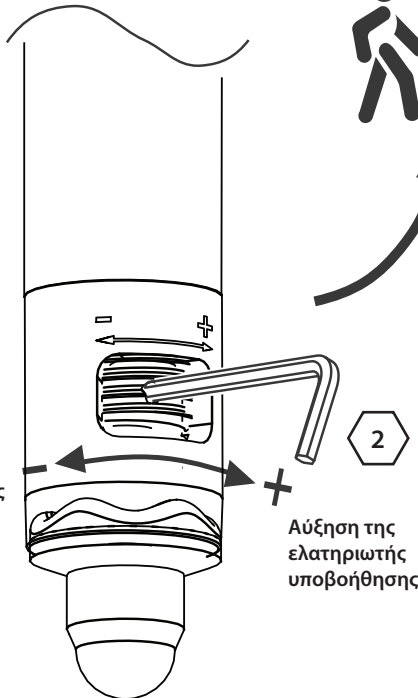
Ρύθμιση ελέγχου ταλάντευσης (απόκλιση έκτασης)

Σημείωση... Αν γίνει χειρισμός με το χέρι, η εμπλοκή της απόσβεσης τελικής πρόσκρουσης μπορεί να γίνει αισθητή αμέσως πριν από την πλήρη έκταση, αυτό είναι φυσιολογικό.

Κατάσταση	Λύση
Η ανύψωση της πτέρνας είναι πολύ υψηλή κατά τη διάρκεια της ταλάντευσης ή η συσκευή δεν εκτείνεται πλήρως κατά τη διάρκεια της ταλάντευσης.	Αύξηση της ελατηριωτής υποβοήθησης
Η ανύψωση της πτέρνας είναι πολύ χαμηλή κατά τη διάρκεια της ταλάντευσης ή ο χρήστης αντιμετωπίζει τελική πρόσκρουση.	Μείωση της ελατηριωτής υποβοήθησης





Μείωση της ελατηριωτής υποβοήθησης

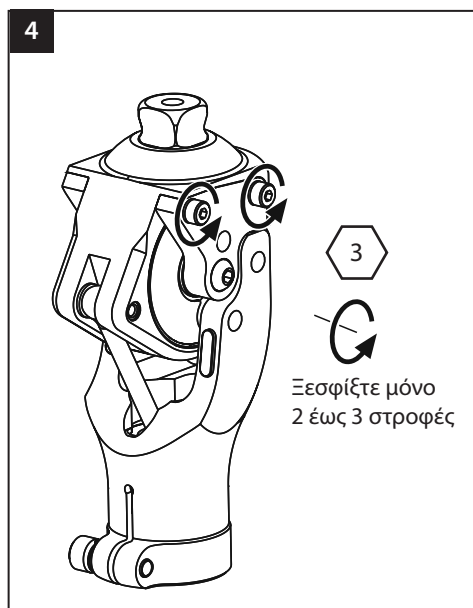
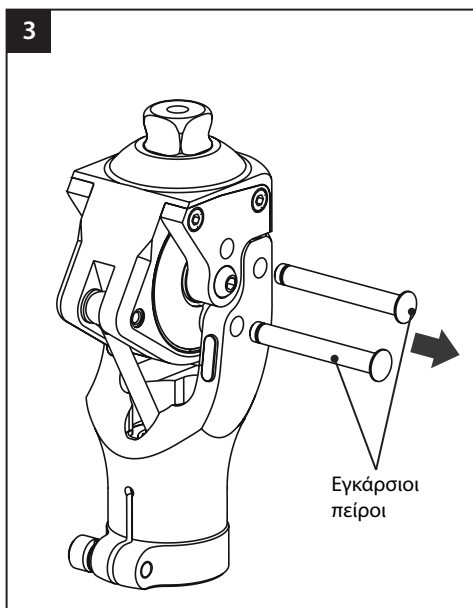
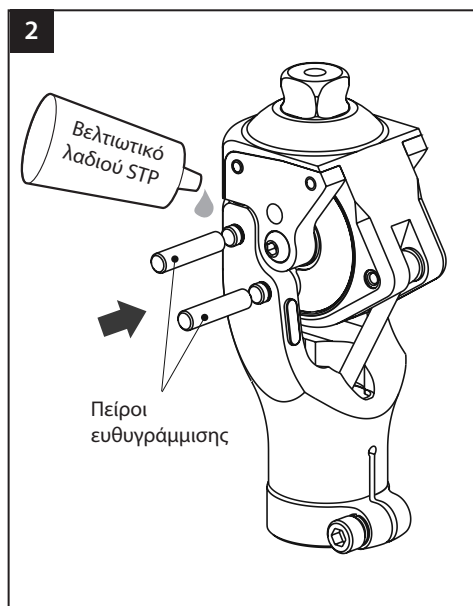
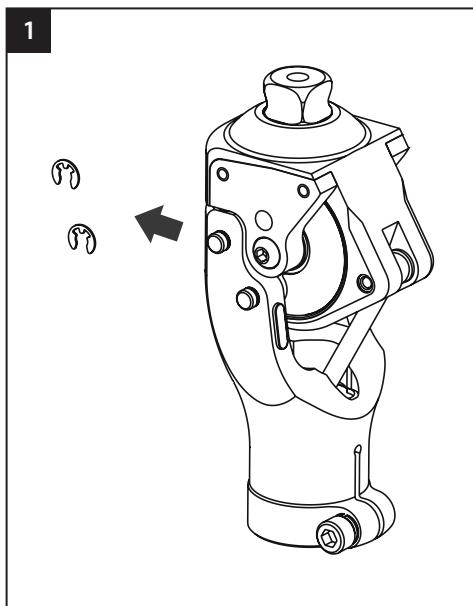


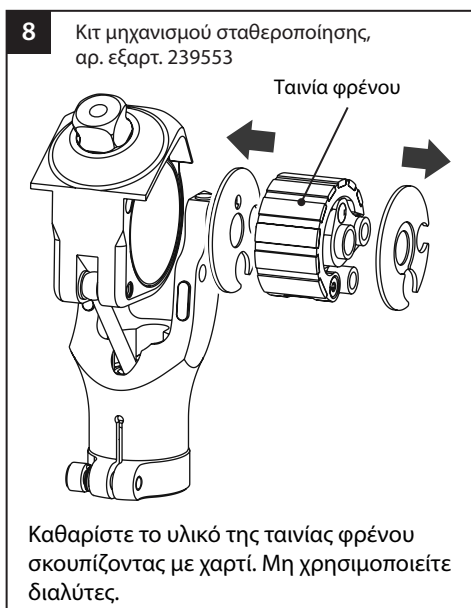
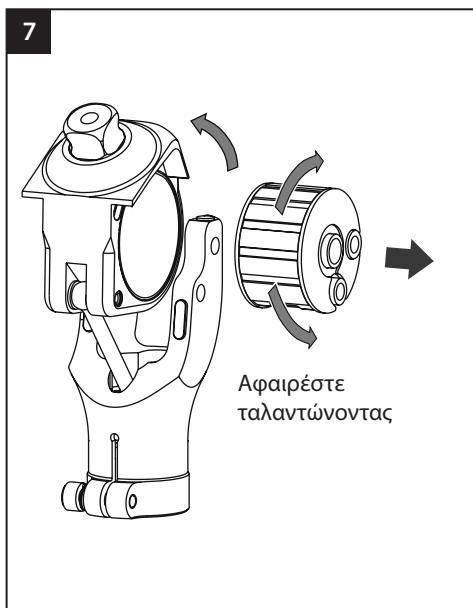
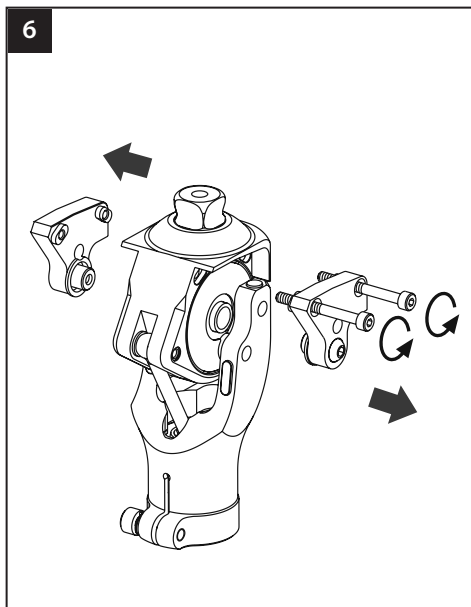
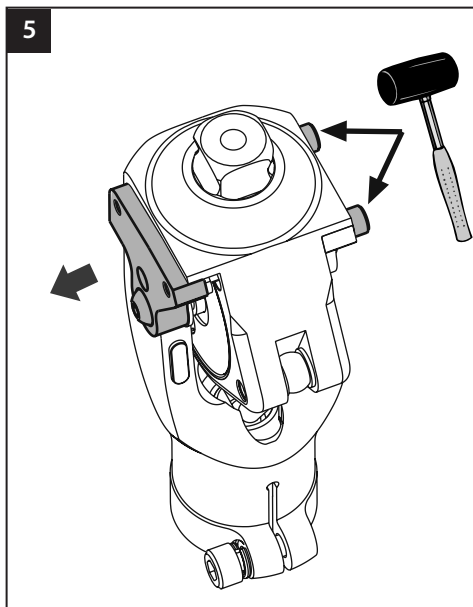
Αύξηση της ελατηριωτής υποβοήθησης

10 Συντήρηση του μηχανισμού σταθεροποίησης

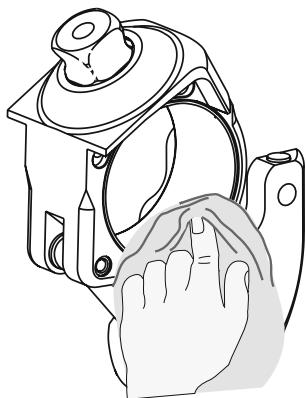
 Χρησιμοποιείτε τον κατάλληλο εξοπλισμό υγείας και ασφάλειας ανά πάσα στιγμή, συμπεριλαμβανομένων εγκαταστάσεων εξαγωγής αέρα.

 Να προσέχετε για τυχόν κίνδυνο παγίδευσης δακτύλων ανά πάσα στιγμή.

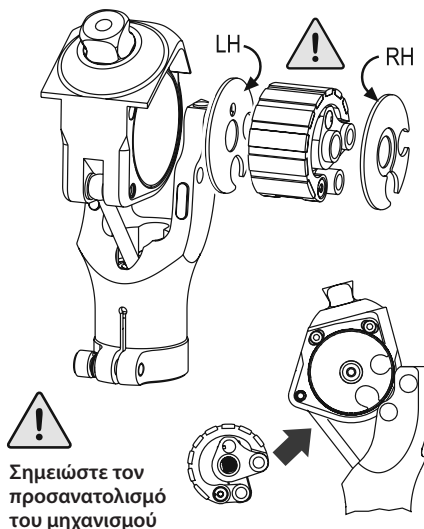




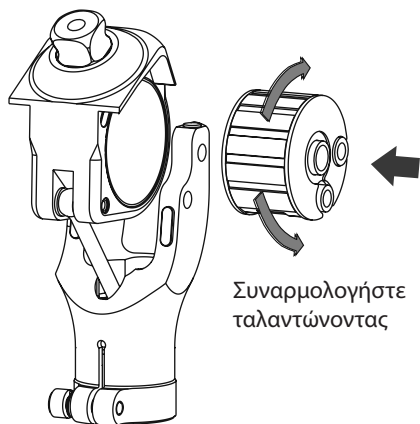
9 Καθαρίστε το άνοιγμα με κατάλληλο διαλύτη.



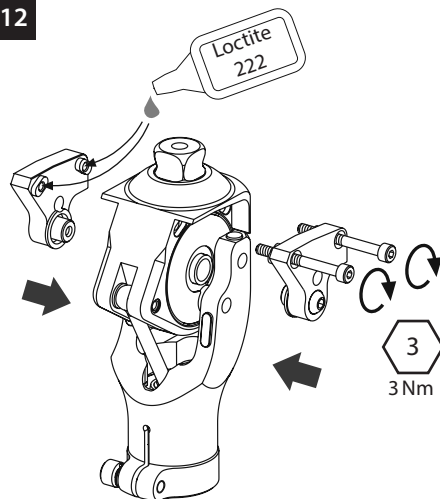
10 Επανασυναρμολόγηση



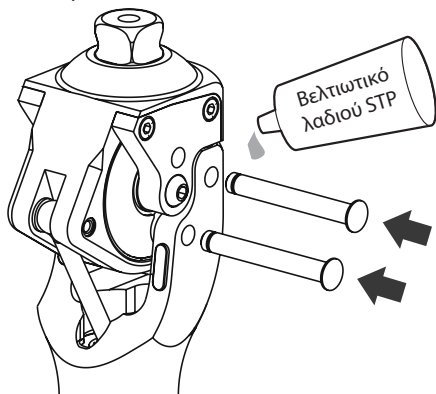
11



12

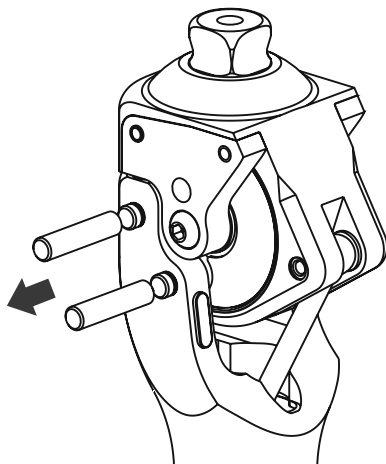


- 13** Εφαρμόστε λεπτή στρώση λιπαντικού (αρ. εξαρτ. 928105) στους εγκάρσιους πείρους.

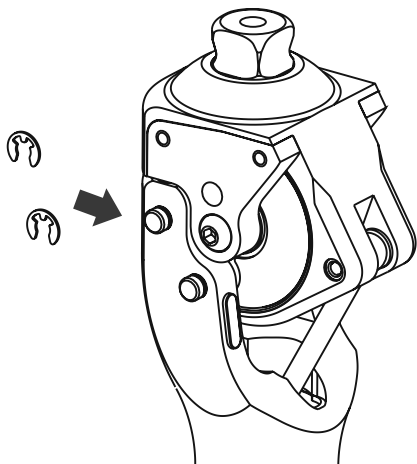


! Προσέξτε να μην τρέξει λιπαντικό μέσα στο ταμπόρο του φρένου. Αυτό θα μπορούσε να προκαλέσει αστάθεια της συσκευής.

14



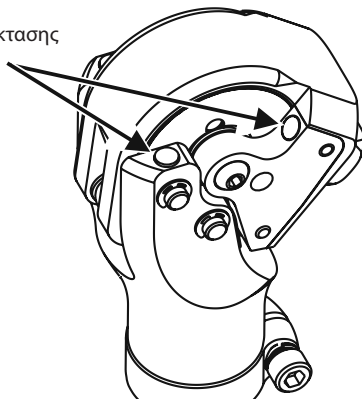
15



16

- Αντικαθιστάτε και τα 4 στοπ έκτασης μία φορά τον χρόνο. Κιτ στοπ έκτασης, αρ. εξαρτήματος 239453

Στοπ έκτασης



Μετά τη συντήρηση είναι σημαντικό να ελέγξετε τη ρύθμιση σταθερότητας του χρήστη. Ανατρέξτε στο διάγραμμα ροής στην ενότητα Συμβουλές ευθυγράμμισης και προσαρμογή σταθερότητας.

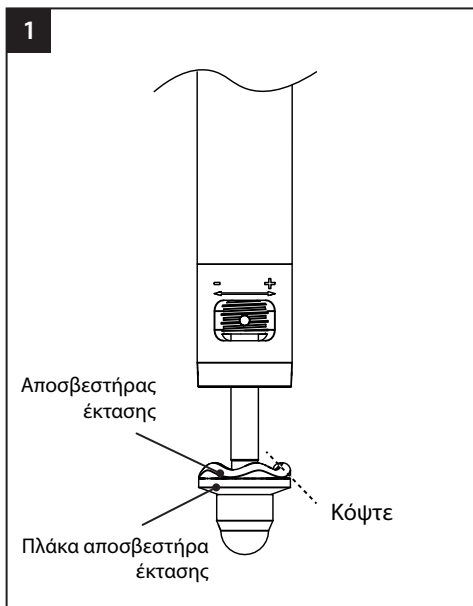
11 Συντήρηση αποσβεστήρα έκτασης



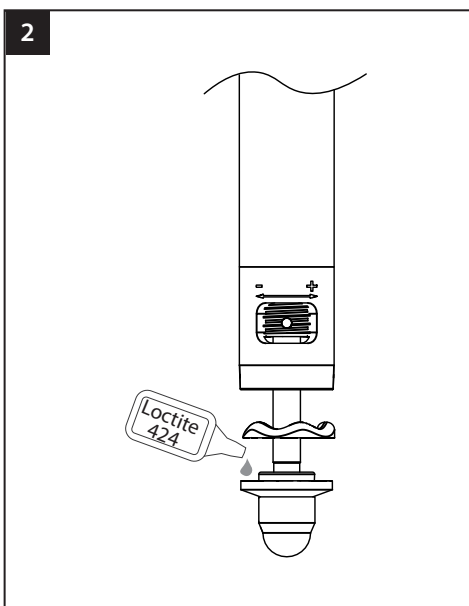
Χρησιμοποιείτε τον κατάλληλο εξοπλισμό υγείας και ασφάλειας ανά πάσα στιγμή, συμπεριλαμβανομένων εγκαταστάσεων εξαγωγής αέρα.



Να προσέχετε για τυχόν κίνδυνο παγίδευσης δακτύλων ανά πάσα στιγμή.



Με ένα μαχαίρι, κόψτε και αφαιρέστε τον παλιό αποσβεστήρα έκτασης.
Καθαρίστε την επάνω επιφάνεια της πλάκας αποσβεστήρα έκτασης με κατάλληλο διαλύτη.



Τεντώστε τον νέο αποσβεστήρα έκτασης και τοποθετήστε τον πάνω από την πλάκα αποσβεστήρα έκτασης.
Στερεώστε την αποσβεστήρα έκτασης στην πλάκα αποσβεστήρα έκτασης με Loctite 424.

12 Αντιμετώπιση προβλημάτων

Σύμπτωμα	Λύση
Υπερβολικός θόρυβος από το γόνατο.	Καθαρίστε την ταινία φρένου και το ταμπούρο φρένου. Εφαρμόστε λιπαντικό στους πείρους περιστροφής. Ανατρέξτε στην ενότητα 10 <i>Συντήρηση του μηχανισμού σταθεροποίησης</i> για τις σχετικές διαδικασίες.
Το γόνατο δεν σταθεροποιείται.	Ελέγξτε τη ρύθμιση σταθερότητας. Ανατρέξτε στην ενότητα 8 <i>Συμβουλές ευθυγράμμισης και προσαρμογή σταθερότητας</i> . Καθαρίστε το ταμπούρο φρένου. Ελέγξτε τα τακάκια φρένου για τυχόν φθορά και αντικαταστήστε τον μηχανισμό σταθεροποίησης αν το πίσω άκρο του φρένου έχει φθαρεί. Ανατρέξτε στην ενότητα 10 <i>Συντήρηση του μηχανισμού σταθεροποίησης</i> για τις σχετικές διαδικασίες.
Το γόνατο δεν απελευθερώνεται.	Ελέγξτε τη ρύθμιση σταθερότητας. Ανατρέξτε στην ενότητα 8 <i>Συμβουλές ευθυγράμμισης και προσαρμογή σταθερότητας</i> .

13 Τεχνικά στοιχεία

Εύρος τιμών θερμοκρασίας χειρισμού και φύλαξης: -15 °C έως 50 °C

Βάρος εξαρτημάτων: 580 g

Συνιστώμενο επίπεδο σωματικής δραστηριότητας: 2

Μέγιστο βάρος χρήστη: 125 kg

Προσάρτημα εγγύς ευθυγράμμισης: Περιστρεφόμενη αρσενική πυραμίδα (Blatchford)

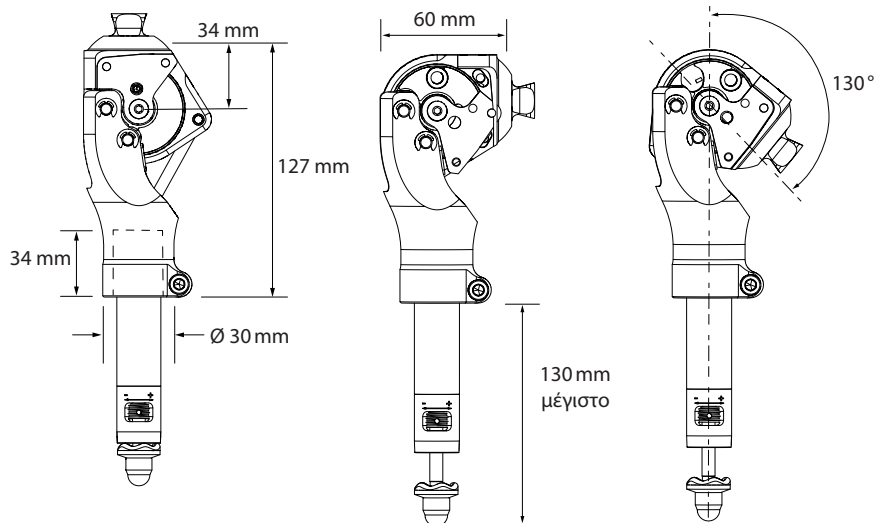
Περιφερικό προσάρτημα Σφιγκτήρας σωλήνα διαμέτρου 30 mm (Blatchford)

Ύψος κατασκευής: 127 mm

Εγγύς πυραμίδα έως περιφερικό άκρο σωλήνα (+130 mm)

[Ανατρέξτε στην ενότητα *Μήκος προσαρμογής* στη σελίδα 125]

Μήκος προσαρμογής



14 Πληροφορίες παραγγελίας

Παράδειγμα παραγγελίας

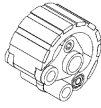


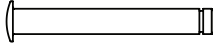


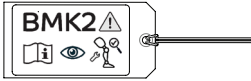

BMK2

14.1 Ανταλλακτικά


Κιτ στοπ έκτασης 239453

Περιγραφή	Ποσότη.	Εικόνα
Στοπ έκτασης - BMK2	4	
Οδηγίες προσαρμογής	1	


Κιτ μηχανισμού σταθεροποίησης 239553

Περιγραφή	Ποσότη.	Εικόνα
Μηχανισμός σταθεροποίησης Compact	1	
Αριστερό κάλυμμα σκόνης	1	
Δεξιό κάλυμμα σκόνης	1	
Εγκάρσιος πείρος	2	
Εξωτερικό κλιπ συγκράτησης «E»	2	
Πείρος ευθυγράμμισης	2	
Ετικέτα προειδοποίησης ρύθμισης ΒΜΚ2	1	
Οδηγίες προσαρμογής	1	

Αποσβεστήρας έκτασης

Περιγραφή	Ποσότη.	Αριθμός εξαρτήματος	Εικόνα
Αποσβεστήρας έκτασης	1	B-0000021	

Αναλώσιμα

Περιγραφή	Ποσότη.	Αριθμός εξαρτήματος	Εικόνα
Βελτιωτικό λαδιού STP	Όση χρειαστεί	928105	
Ασφαλιστικό σπειρωμάτων Loctite 222	Όση χρειαστεί	926001	
Κόλλα Loctite 424	Όση χρειαστεί	926104	

Ευθύνη

Ο κατασκευαστής συνιστά τη χρήση της συσκευής μόνο υπό τις καθορισμένες συνθήκες και για τους προβλεπόμενους σκοπούς. Η συσκευή πρέπει να συντηρείται σύμφωνα με τις οδηγίες χρήσης που συνοδεύουν τη συσκευή. Ο κατασκευαστής δεν φέρει ευθύνη για οποιοδήποτε δυσμενές αποτέλεσμα προκληθεί από συνδυασμούς εξαρτημάτων που δεν έχουν εγκριθεί από αυτόν.

Πιστότητα CE

Το προϊόν αυτό ικανοποιεί τις απαιτήσεις του Ευρωπαϊκού Κανονισμού (ΕΕ) 2017/745 περί ιατροτεχνολογικών προϊόντων. Το προϊόν αυτό έχει ταξινομηθεί ως ιατροτεχνολογικό προϊόν κατηγορίας Ι σύμφωνα με τους κανόνες ταξινόμησης που περιγράφονται στο παράρτημα VIII του κανονισμού. Η δήλωση πιστότητας ΕΕ διατίθεται στην ακόλουθη διεύθυνση στο Internet: www.blatchford.co.uk



ιατροτεχνολογικό
προϊόν



Πολλαπλή χρήση –
σε έναν μόνο ασθενή

Συμβατότητα

Ο συνδυασμός με προϊόντα επωνυμίας Blatchford εγκρίνεται βάσει δοκιμών σύμφωνα με τα σχετικά πρότυπα και την οδηγία περί των ιατροτεχνολογικών προϊόντων, συμπεριλαμβανομένων δομικών δοκιμών, συμβατότητας διαστάσεων και παρακολουθούμενης απόδοσης πεδίου.

Ο συνδυασμός με εναλλακτικά προϊόντα με σήμανση CE πρέπει να πραγματοποιείται βάσει τεκμηριωμένης επιτόπιας αξιολόγησης κινδύνου που έχει διεξαχθεί από ιατρό.

Εγγύηση

Η συσκευή αυτή καλύπτεται από εγγύηση 24 μηνών από την αρχική ημερομηνία αγοράς, εκτός αν ορίζεται διαφορετικά. Ο μηχανισμός σταθεροποίησης Compact καλύπτεται από εγγύηση 12 μηνών από την αρχική ημερομηνία αγοράς, εκτός αν ορίζεται διαφορετικά. Η φθορά από τη χρήση και τον χρόνο στην ταινία φρένου εξαιρείται από την εγγύηση. Ο χρήστης πρέπει να ενημερώνεται ότι οι αλλαγές ή οι τροποποιήσεις που δεν έχουν εγκριθεί ρητά ενδέχεται να ακυρώσουν την εγγύηση, τις άδειες λειτουργίας και τις εξαιρέσεις. Ανατρέξτε στον ιστότοπο Blatchford για την τρέχουσα πλήρη δήλωση εγγύησης, συμπεριλαμβανομένης της φθοράς από τη χρήση και τον χρόνο..

Αναφορά σοβαρών περιστατικών

Στην απίθανη περίπτωση που προκύψει κάποιο σοβαρό περιστατικό σε σχέση με τη συσκευή αυτή, αυτό θα πρέπει να αναφερθεί στον κατασκευαστή και τις αρμόδιες εθνικές αρχές.

Θέματα περιβάλλοντος

Όπου αυτό είναι δυνατόν, τα εξαρτήματα θα πρέπει να ανακυκλώνονται σύμφωνα με τους τοπικούς κανονισμούς χειρισμού αποβλήτων.

Διατήρηση της ετικέτας συσκευασίας

Συνιστάται να διατηρείτε την ετικέτα της συσκευασίας ως αρχείο της παρεχόμενης συσκευής.

Αναγνωρίσεις εμπορικών σημάτων

Η ονομασία Blatchford είναι σήμα κατατεθέν της Blatchford Products Limited.

Καταχωρημένη διεύθυνση κατασκευαστή



Blatchford Products Limited, Lister Road, Basingstoke RG22 4AH, Ηνωμένο Βασίλειο

Saturs.....	128
1 Apraksts un paredzētais mērķis	129
2 Drošības informācija	130
3 Uzbūve	131
4 Funkcija.....	131
5 Apkope.....	132
6 Lietošanas ierobežojumi.....	133
7 Stenda salāgošana	134
8 Ieteikumi salāgošanai un stabilitātes regulēšana.....	135
9 Dinamiskā salāgošana	136
10 Stabilizējošā mehānisma uzturēšana.....	137
11 Iztaisnošanas buferu kopšana	141
12 Problēmu novēršana	142
13 Tehniskie dati.....	142
14 Pasūtīšanas informācija.....	143
14.1 Rezerves daļas	143

1 Apraksts un paredzētais mērķis

Šī lietošanas pamācība paredzēta ārstam/speciālistam.

Termins *ierīce* šajā lietošanas pamācībā tiek lietots, lai apzīmētu BMK2 ceļa protēzi.

Pārliecinieties, ka lietotājs ir izpratis visu lietošanas pamācību, īpašu uzmanību pievēršot informācijai par apkopi un drošības informācijas sadaļām.

Pirms šīs ierīces lietošanas lietotājiem jāveic gaitas apmācība.

Pielietojums

Šī ierīce ir jālieto tikai kā apakšējo ekstremitāšu protēzes daļa.

Šī ierīce ir kompakta ķermeņa masas aktivizēta ceļa protēze ar pielāgojamu atsperes regulētu iztaisnošanas slīpumu.

Šī ierīce paredzēta tikai vienam lietotājam.

Funkcijas

- Ķermeņa masas aktivizēta pielāgojama stājas kontrole
- Regulējama iztaisnošanas slīpuma kontrole ar galīgā trieciena ietekmes mazināšanu
- Maksimālais saliekššanas leņķis 130°

Aktivitātes līmenis

Šī ierīce paredzēta tikai lietotājiem ar 1. un 2. aktivitātes līmeni. Maksimālos lietotāju ķermeņa masas ierobežojumus skatīt nodaļā 13 *Tehniskie dati*.

1. aktivitātes līmenis

Spēj vai ir potenciāls izmantot protēzi, lai pārvietotos ar palīdzību vai staigātu pa līdzenu virsmu fiksētā tempā. Tipiski personai, kura spēj staigāt mājās ar vai bez ierobežojumiem.

2. aktivitātes līmenis

Spēja vai potenciāls staigāt ar palīglīdzekli ar spēju šķērsot nelielas vides barjeras, piemēram, ietves malas, kāpnes vai nelīdzenas virsmas. Tipiski cilvēkam, kas pārvietojas ar ierobežojumiem ārpus mājām.

3. aktivitātes līmenis

Spēja vai potenciāls pārvietoties ar mainīgu tempu. Tipiski cilvēkam, kurš var neatkarīgi pārvietoties ārpus mājas, šķērsojot lielāko daļu vides barjeru, un kuram var būt profesionālā, terapeitiskā vai fiziskā aktivitāte, kam nepieciešama protēzes izmantošana, kas pārsniedz parastu pārvietošanos.

4. aktivitātes līmenis

Spēja vai potenciāls staigāt, kas pārsniedz parastās pārvietošanās ar protēzi prasmes, pieļaujot augstu triecienu, stresa vai enerģijas pakāpi. Tipiski bērnu, aktīvu pieaugušo vai sportistu protēzēšanas vajadzībām.

Kontrindikācijas

Šī ierīce nav piemērota lietotājiem ar šādiem traucējumiem:

- Ārkārtējs muskuļu vājums, kontraktūras, kuras nevar pareizi pielāgot, vai proprioceptīvās disfunkcijas, ieskaitot sliktu līdzsvaru.
- Kontralaterālās locītavas nestabilitāte vai patoloģija.
- KomPLICĒTI stāvokļi, tostarp dažādi funkcionālie traucējumi.
- Lietotājiem, tostarp personām ar virsceļa amputāciju abām kājām, kam nepieciešama ceļa pakļaušanās, lai varētu kāpt lejā pa kāpnēm vai sēdēt. Tādējādi ir iespējami bremžu mehānisma bojājumi, kas var negatīvi ietekmēt stabilitāti un izturību.

Kliniskie ieguvumi

- Ceļa stabilizēšana vienmērīgi aktivizējas noslogošanas rezultātā, sniedzot drošību stāvēšanas laikā un pārvietojoties pa nelidzenu virsmu. Ceļa mehānisms atbrivojas pāreja uz pirkstiem.
- Elastīga stabilizējošā mehānisma darbība nodrošina fleksijas ierobežojumus stājas laikā, kas samazina triecienu, atspiežoties uz papēža.

2 Drošības informācija



Šis brīdinājuma simbols izceļ svarīgu drošības informāciju, kas rūpīgi jāievēro.



Par jebkādam veiktspējas vai ceļa funkcionēšanas izmaiņām, piem., ierobežotu kustību, nevienmērīgu kustību vai neparastiem trokšņiem, nekavējoties ziņojiet savam pakalpojumu sniedzējam. Galīgā vēzienu laikā tieši pirms atspiešanās uz papēža var būt dzirdams ar triecienu saistīts troksnis, jo, ekstremitātei pilnībā iztaisnojoties, iesaistās iztaisnošanas palīgmehānisms.



Ejot pa kāpnēm lejā un jebkurā citā laikā vienmēr izmantojiet kāpņu margas, kad tās ir pieejamas.

Izvairieties no pārmērīga karstuma un/ vai aukstuma iedarbības.



Šī ierīce nav paredzēta lietošanai ūdenī vai kā protēze dušai. Ja celis nokļūst saskarē ar ūdeni, nekavējoties to nosusiniet.



Ierīce nav piemērota ekstrēmām sporta veidiem, skriešanai vai riteņbraukšanas sacensībām, sportošanai uz ledus un sniega, stāvām nogāzēm un pakāpieniem. Par šādu darbību veikšanu ir atbildīgs tikai lietotājs.



Ierīces montāžu, apkopi un remontu drīkst veikt tikai atbilstoši kvalificēts ārsts.



Veicot šīs ierīces apkopi, pārliecinieties, ka bremžu cilindrā nav smērvielas.



Pārliecinieties, ka braukšanas laikā tiek izmantoti tikai atbilstoši aprīkoti transportlīdzekļi. Visām personām, vadot mehāniskos transportlīdzekļus, ir jāievēro attiecīgie satiksmes noteikumi.



Lietotājs nedrīkst regulēt vai izmainīt ierīces iestatījumu.



Ja mainās ierīces stāvoklis, lietotājam ieteicams sazināties ar ārstu.



Vienmēr apzinieties pirkstu iespiešanas bīstamību.



Jebkuras pārmērīgas papēža augstuma izmaiņas pēc salāgošanas pabeigšanas var nelabvēlīgi ietekmēt ekstremitāšu darbību.

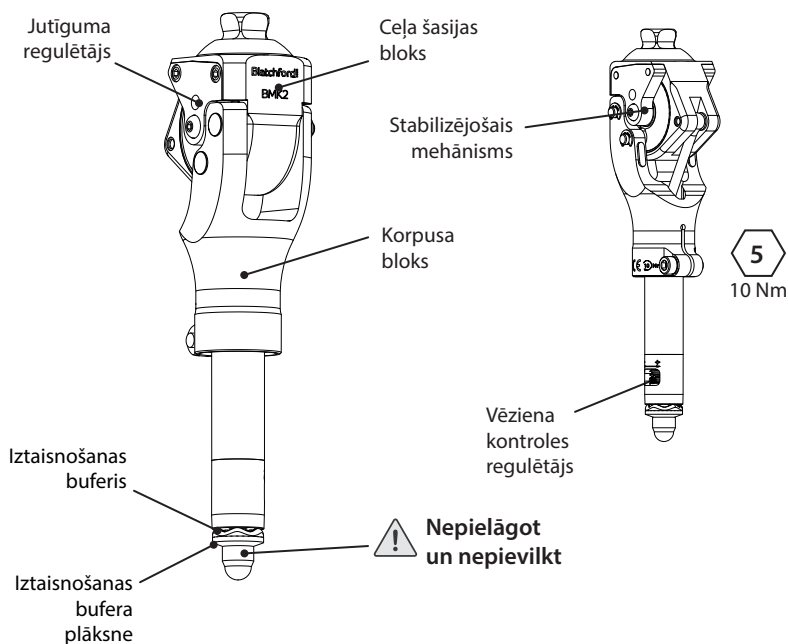
3 Uzbūve

Galvenās daļas

- Korpusa konstrukcija (alumīnijs, nerūsējošais tērauds, poliuretāns, filcs)
- Ceļa šasijas bloks (alumīnijs, nerūsējošais tērauds)
- Stabilizējošais mehānisms (alumīnijs, bronza, acetāla homopolimērs, poliuretāns, sintētiskais kaučuks)

Piezīme... Berzes materiāli stabilizējošajā mehānismā nesatur azbestu.

Sastāvdaļu identifikācija



4 Funkcija

Celi aktivizē ķermeņa masa un jutīgumu var pielāgot, lai tas atbilstu lietotājam nepieciešamajai stabilitātei.

Vēziena kontroli var pielāgot, mainot spriegumu vītājai atsperei, kas kontrolē papēža pacēlumu un iztaisnošanas slīpumu.

Šī ierīce nodrošina stājas fleksiju bremzes aktivēšanas laikā. Tas notiek bremzes lentes mehānisma elastības rezultātā.

5 Apkope

Apkope jāveic kompetentam personālam.

Šādu apkopi ieteicams veikt reizi gadā.

- Pārbaudiet visas ar regulēšanu nesaistītās skrūves, lai noteiktu, vai tās ir cieši pievilkta (skatīt sadaļu "Konstrukcija") (NEPIEVELCIET pārāk cieši pārsegto uzgriezni distālajā galā).
- Notīriet bremsēšanas paliktņus un nomainiet iztaisnošanas atdures (procedūru skatiet nodaļā 10 *Stabilizējošā mehānisma uzturēšana*).
- Ja ir dzirdami neparasti trokšņi, piemēram, čīkstēšana un krakšķēšana, un/vai ir samazinājusies stabilitāte, veiciet stabilizējošā mehānisma apkopi; skatiet nodaļu 10 *Stabilizējošā mehānisma uzturēšana*. Ja trokšņi turpinās, sazinieties ar savu Blatchford pārstāvi.
- Iztaisnošanas bufera nodilums un plīsumi ir pieņemami. Ja pilnīgas iztaisnošanas gadījumā ir dzirdams pārmērīgs troksnis, nomainiet iztaisnošanas buferi. Skatiet nodaļu 11 *Iztaisnošanas buferu kopšana*.
- Pārbaudiet, vai šasijas kustība mediālā laterālajā virzienā nav pārmērīga.
- Ja bremžu siksnas aizmugurējā daļa ir nodilusi līdz bremžu siksnas plastmasas daļai, nomainiet visu bremžu siksnu. (Piezīme. Atsevišķus paliktņus nomainīt nav iespējams.)
- Atkārtotas montāžas laikā pārliedzinieties, ka bremžu siksnas orientācija ir pareiza. Pirms lietošanas vienmēr pārbaudiet stabilitāti.

Lietotājam ir jāizsniedz pievienotā lietotāja rokasgrāmata un jāiesaka ziņot speciālistam šādos gadījumos:

- konstatējot jebkādas izmaiņas ķermeņa masā vai aktivitātes līmenī;
- konstatējot jebkādas šīs ierīces veiktspējas izmaiņas.

Veiktspējas izmaiņas ietver:

- ierobežotu vēzienu;
- izmaiņas vēziena vienmērīgumā;
- samazinātu atbalstu stājas laikā;
- jebkādu neparastu troksni.

Tīrīšana

Izmantojiet mitru drānu un vieglu ziepjūdeni, lai notīrītu ārējās virsmas; NEIZMANTOJIET agresīvus tīrīšanas līdzekļus. Pirms lietošanas rūpīgi nožāvējiet ierīci.

6 Lietošanas ierobežojumi

Paredzētais kalpošanas laiks

Izstrādājuma derīguma termiņu sedz garantijas periods — jāveic vietējs riska novērtējums, pamatojoties uz aktivitāti un lietojumu.

Celšanas slodzes

Lietotāja ķermeņa masu un aktivitāti regulē noteiktie ierobežojumi.

Lietotāja slodzei jāatbilst vietējā riska novērtējumā noteiktajai.

Piezīme... Šo ierīci aktivizē ķermeņa masa, un slodze var sekmēt stājas atbalsta aktivizēšanu.

Vide

Izvairieties no ierīces pakļaušanas kodīgas vides, piemēram, ūdens, skābju un citu šķidrumu, iedarbības. Izvairieties arī no abrazīvām vidēm, piemēram, tām, kas satur smiltis, jo tās var veicināt priekšlaicīgu nodilumu.

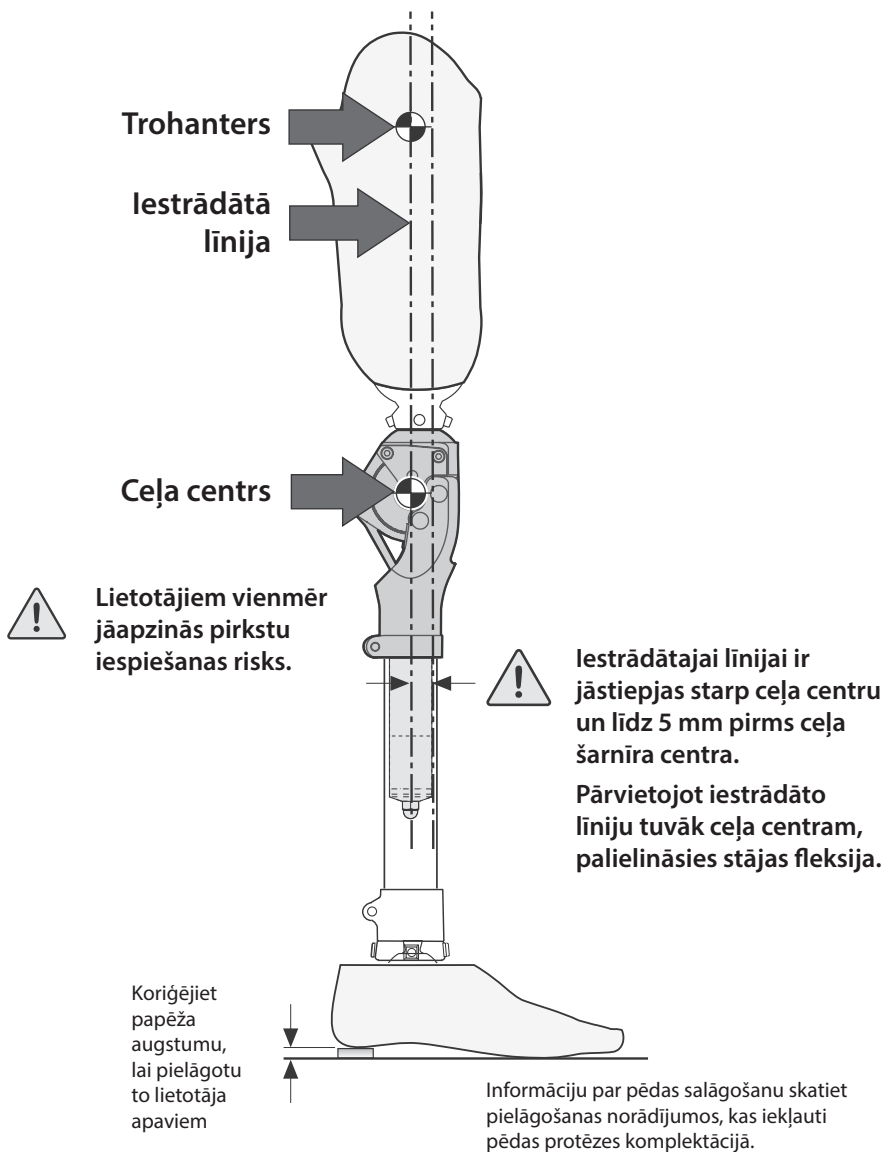


Piemērota lietošanai ārā

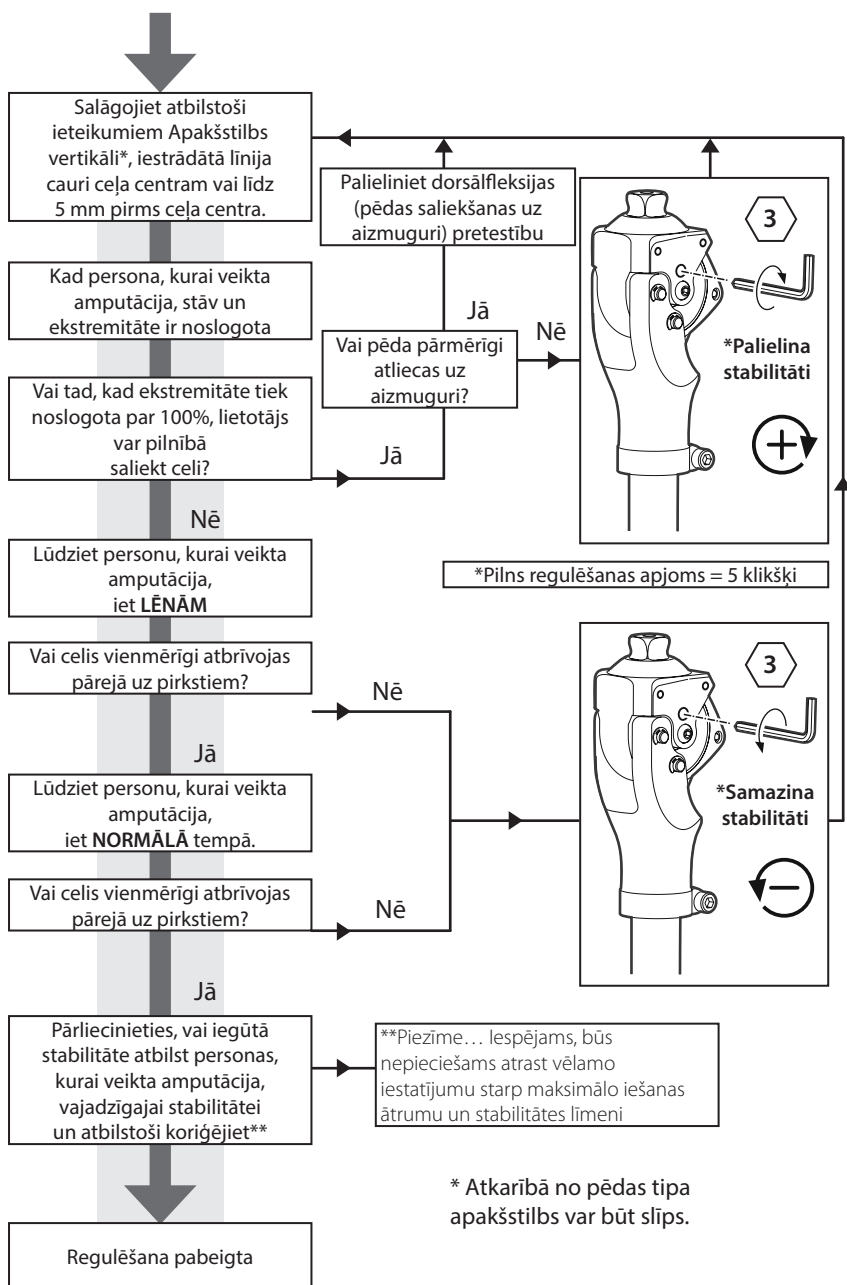
Lietot tikai temperatūrā no -15 °C līdz 50 °C

7 Stenda salāgošana

Salāgojot ierīci ar protēzi lietošanai kopā ar šo ierīci, iestrādātās līnijas stāvoklis ir kritiski svarīgs. Celis ir jāsalāgo tā, lai tas būs ģeometriski stabils. Kad fleksija ir pilnībā salāgota ar čaulu, iestrādātajai līnijai ir jāstiepjas cauri trohanteram un ceļa centram vai arī paralēli šai līnijai — līdz 5 cm pirms ceļa centra.



8 Ieteikumi salāgošanai un stabilitātes regulēšana



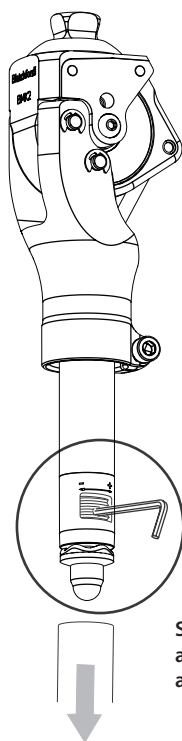
* Atkarībā no pēdas tipa apakšstilbs var būt slīps.

9 Dinamiskā salāgošana

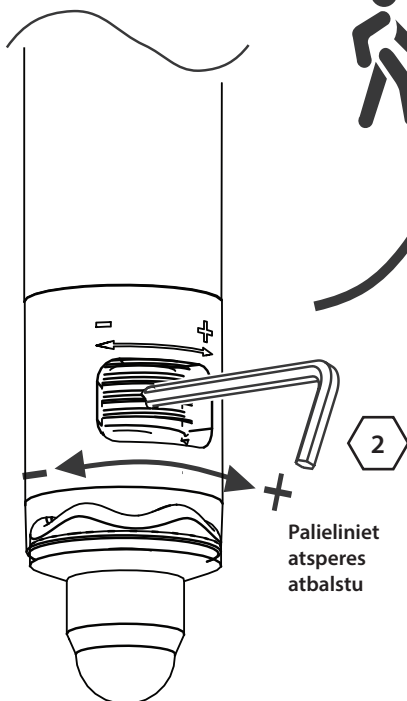
Vēziena kontroles regulēšana (iztaisnošanas slīpums)

Piezīme...Ja darbība tiek veikta manuāli, gala triecienu slāpēšanas funkcionalitāti iespējams sajūt vēl pirms pilnīgas iztaisnošanas; šāda darbība ir normāla.

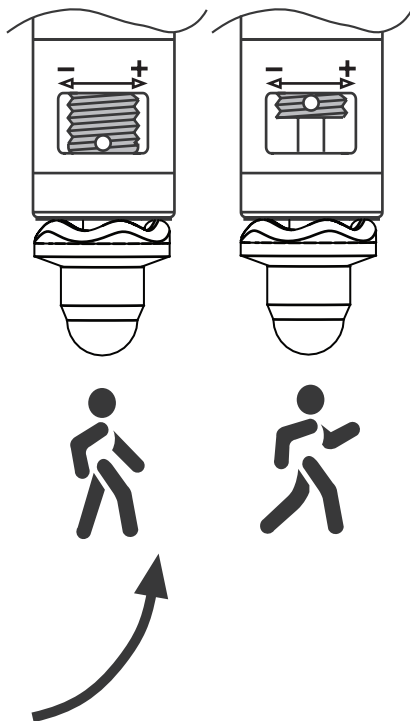
Situācija	Risinājums
Pārāk augsts papēža pacēlums vēziena laikā vai ierīce nav pilnībā iztaisnota vēziena laikā.	Palieliniet atsperes atbalstu
Pārāk zems papēža pacēlums vēziena laikā vai arī lietotājs sajūt gala triecienu.	Samaziniet atsperes atbalstu



Samaziniet atsperes atbalstu



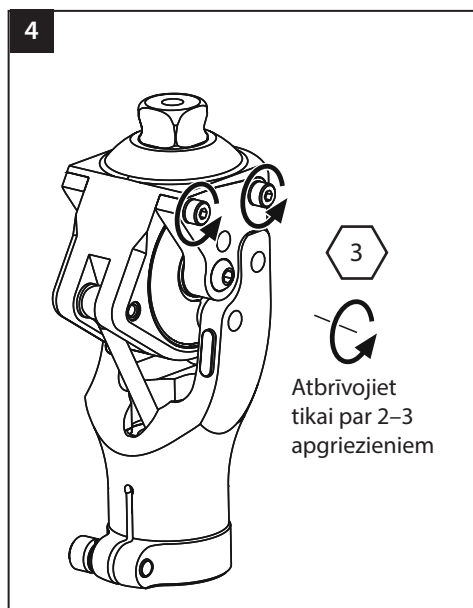
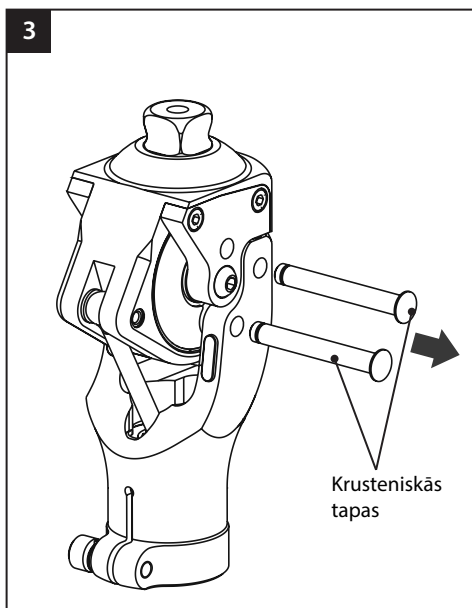
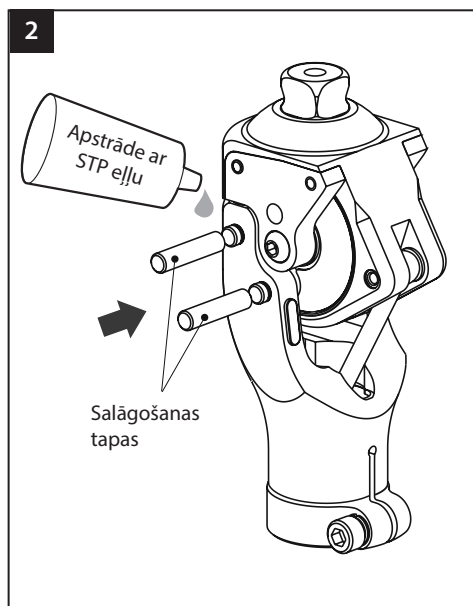
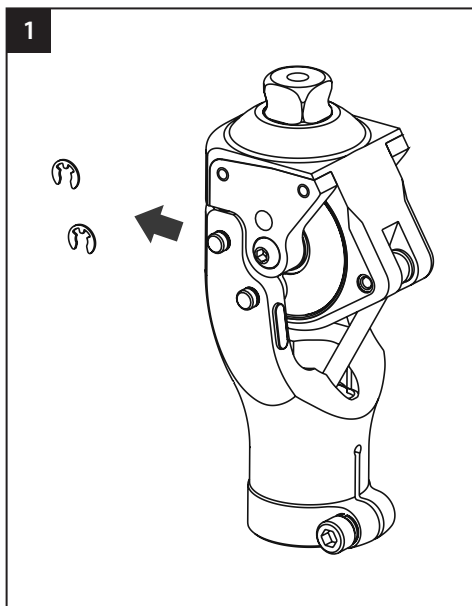
Palieliniet atsperes atbalstu

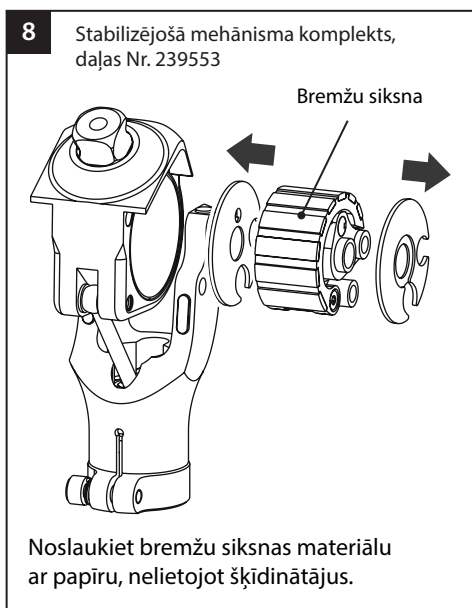
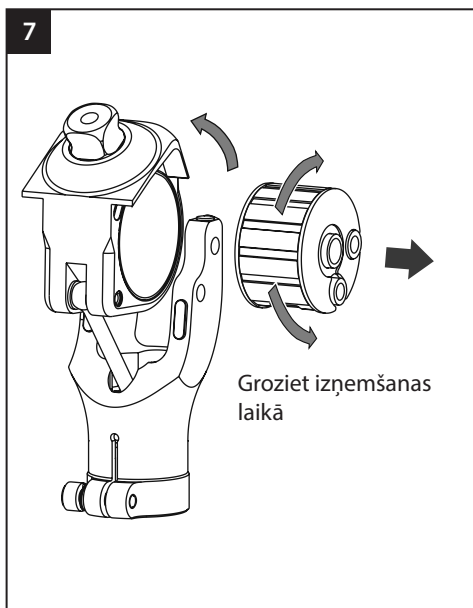
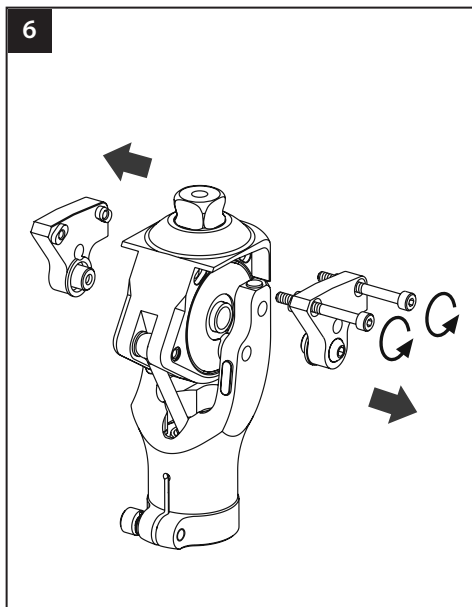
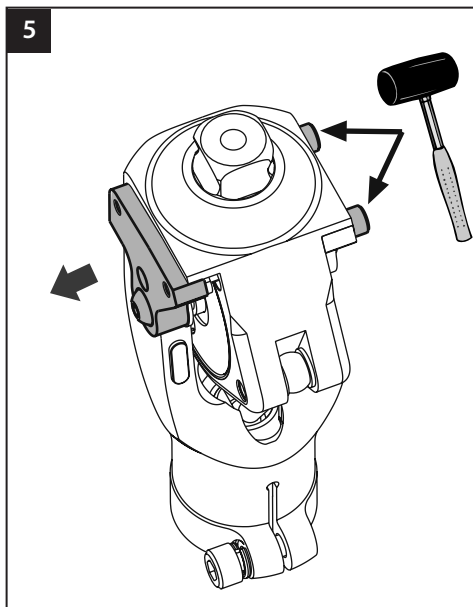


10 Stabilizējošā mehānisma uzturēšana

⚠ Izmantojiet atbilstošu aprīkojumu veselības nodrošināšanai un aizsargaprīkojumu, ieskaitot ekstrakcijas līdzekļus.

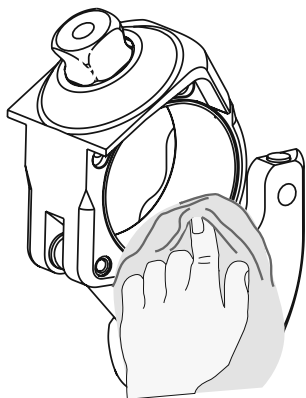
⚠ Vienmēr apzinieties pirkstu iespiešanas bīstamību.





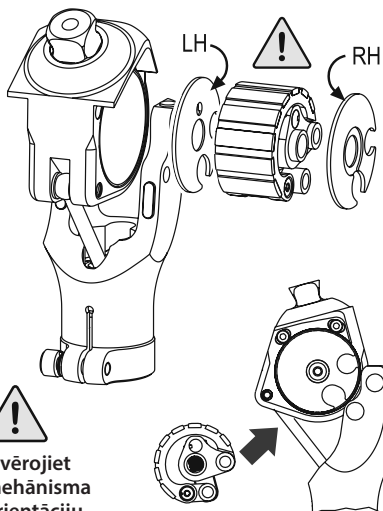
9

Iztīriet atvērumu ar piemērotu šķīdinātāju.



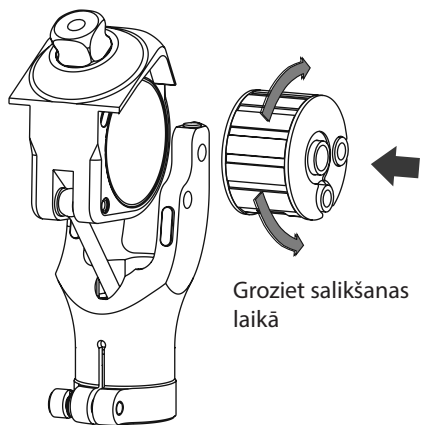
10

Uzstādiet atkārtoti



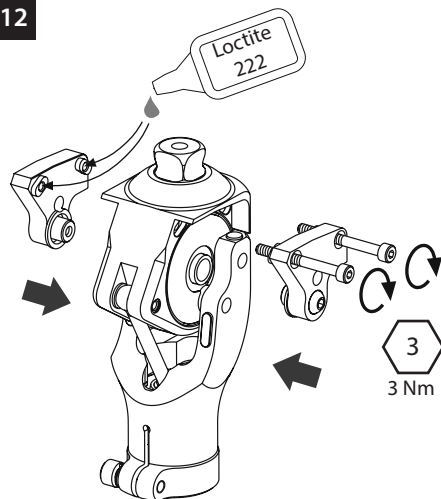
Ievērojiet
mehānisma
orientāciju

11



Groziet salikšanas
laikā

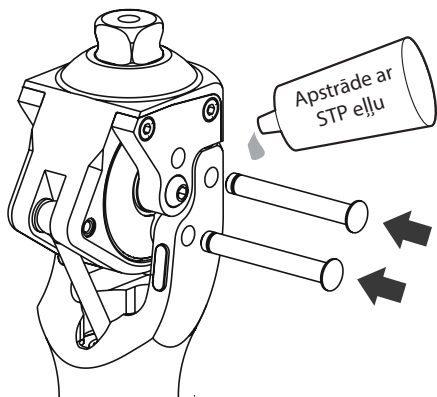
12



Loctite
222

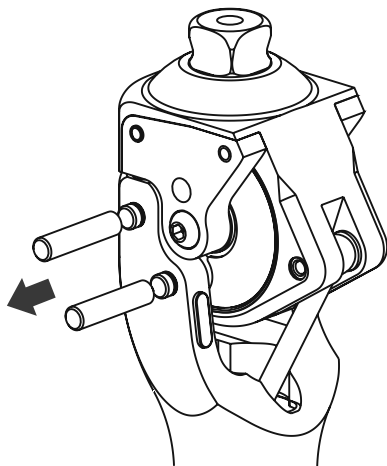
3
3 Nm

- 13** Uzklājiet plānu ziežvielas slāni (daļas Nr. 928105) uz krusteniskajām tapām.

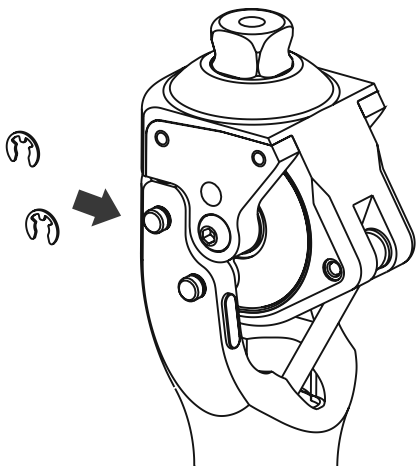


! Pārliecinieties, ka bremžu cilindrā neieplūst ziežviela. Tas var izraisīt ierīces nestabilitāti.

14



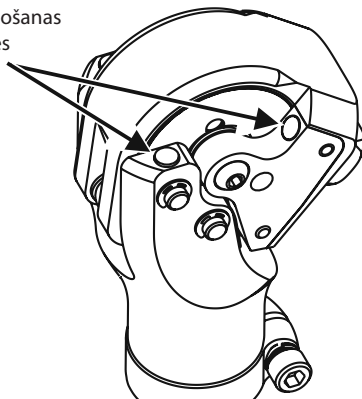
15



16

Katru gadu nomainiet visas 4 iztaisnošanas atdures. Iztaisnošanas atdures komplekts Nr. 239453

Iztaisnošanas atdures

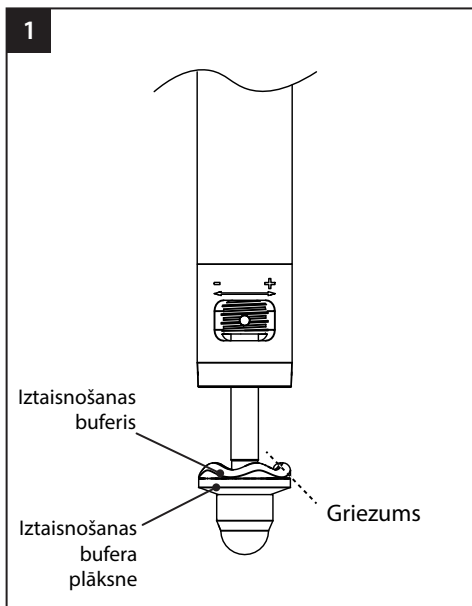


Pēc apkopes ir svarīgi pārbaudīt lietotāja stabilitātes regulējumu. Skatiet diagrammu nodaļā par salāgošanas ieteikumiem un stabilitātes regulēšanu.

11 Iztaiņošanas buferu kopšana

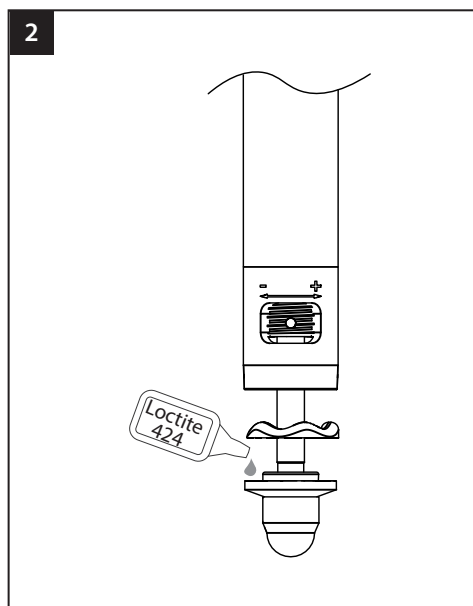
⚠ Izmantojiet atbilstošu aprīkojumu veselības nodrošināšanai un aizsargaprīkojumu, ieskaitot ekstrakcijas līdzekļus.

⚠ Vienmēr apzinieties pirkstu iespiešanas bīstamību.



Ar nazi nogrieziet un aizvāciet veco iztaiņošanas buferi.

Notīriet iztaiņošanas bufera plāksnes virsmu, izmantojot piemērotu šķīdinātāju.



Izstiepiet jauno iztaiņošanas buferi pāri iztaiņošanas bufera plāksnei.

Iztaiņošanas buferi nostipriniet pie iztaiņošanas bufera plāksnes ar Loctite 424.

12 Problēmu novēršana

Simptoms	Risinājums
Pārmērīgs troksnis celī.	Notīriet bremžu siksnu un bremžu cilindru. Uzklājiet ziežvielu šarnīra tapām Procedūras skatiet nodaļā 10 <i>Stabilizējošā mehānisma uzturēšana.</i>
Celis paliek nestabils.	Pārbaudiet stabilitātes regulējumu. Skatiet nodaļu 8 <i>leteikumi salāgošanai un stabilitātes regulēšana.</i> Notīriet bremžu cilindru. Pārbaudiet bremzēšanas paliktņus, lai noteiktu, vai tie nav nodiluši, un nomainiet stabilizējošo mehānismu, ja bremzes aizmugurējā daļa ir bojāta. Procedūras skatiet nodaļā 10 <i>Stabilizējošā mehānisma uzturēšana.</i>
Celis neatbrivojas.	Pārbaudiet stabilitātes regulējumu. Skatiet nodaļu 8 <i>leteikumi salāgošanai un stabilitātes regulēšana.</i>

13 Tehniskie dati

Darbības un uzglabāšanas temperatūras diapazons: -15 °C līdz 50 °C

Komponenta svars: 580 g

Ieteicamais aktivitātes līmenis: 2

Maks. lietotāja ķermeņa masa: 125 kg

Proksimālā noregulējuma pievienošana: Rotējoša spraudņa tipa piramīda (Blatchford)

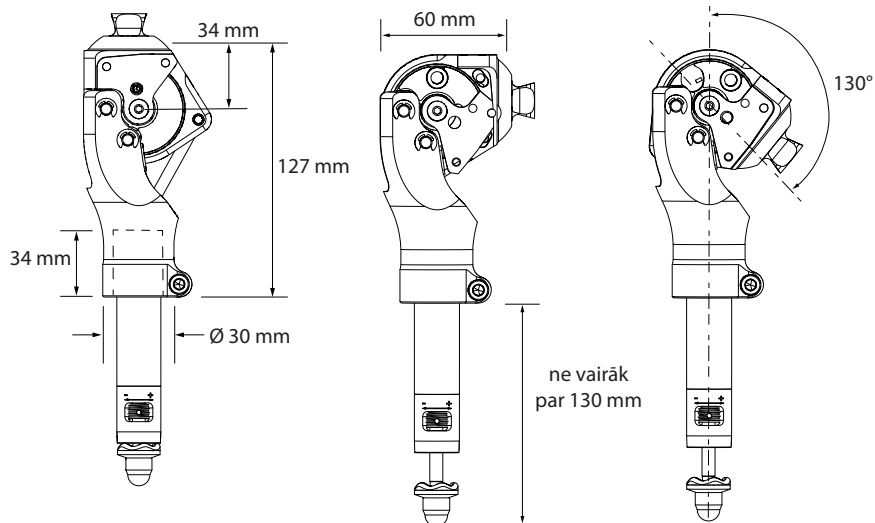
Distālā pievienošana 30 mm diametra caurulītes skava (Blatchford)

Konstrukcijas augstums: 127 mm

Caurulītes distālajam galam proksimālā piramīda (+130 mm)

[skatiet *Uzstādīšanas garums* pp. 143]

Uzstādīšanas garums





14 Pasūtīšanas informācija

Pasūtījuma piemērs

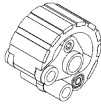


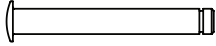

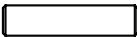
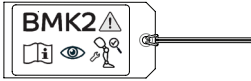

BMK2

14.1 Rezerves daļas


Iztaisnošanas atdures komplekts 239453

Apraksts	Daudz.	Attēls
Iztaisnošanas atdure — BMK2	4	
Uzstādīšanas instrukcijas	1	


Stabilizējošā mehānisma komplekts, 239553

Apraksts	Daudz.	Attēls
Kompakts stabilizējošais mehānisms	1	
Kreisās puses aizsargs pret putekļiem	1	
Labās puses aizsargs pret putekļiem	1	
Krusteniskā tapa	2	
Aiztura ārējais E gredzens	2	
Salāgošanas tapa	2	
BMK2 regulēšanas brīdinājuma zīme	1	
Uzstādīšanas instrukcijas	1	

Iztaisošanas buferis

Apraksts	Daudz.	Daļas numurs	Attēls
Iztaisošanas buferis	1	B-0000021	

Nolietojamās daļas

Apraksts	Daudz.	Daļas numurs	Attēls
Apstrāde ar STP eļļu	Kā nepieciešams	928105	
Loctite 222 fiksējošā skrūve	Kā nepieciešams	926001	
Loctite 424 adhezīvs	Kā nepieciešams	926104	

Atbildība

Ražotājs iesaka izmantot ierīci tikai noteiktos apstākļos un paredzētajiem mērķiem. Ierīces apkope ir jāveic saskaņā ar komplektācijā iekļauto lietošanas pamācību. Ražotājs nav atbildīgs par negatīviem rezultātiem, ko izraisa neatļautas komponentu kombinācijas.

CE atbilstība

Šis izstrādājums atbilst Eiropas Regulai ES 2017/745, kas attiecas uz medicīniskajām ierīcēm. Šis izstrādājums ir klasificēts kā I klases produkts saskaņā ar klasifikācijas kritērijiem, kas izklāstīti Regulas VIII pielikumā. ES atbilstības deklarācijas sertifikāts pieejams tīmekļa vietnē www.blatchford.co.uk



Medicīniskā ierīce



Viens pacients — atkārtota lietošana

Saderība

Kombinācija ar Blatchford zīmola izstrādājumiem ir apstiprināta, pamatojoties uz testēšanu saskaņā ar attiecīgajiem standartiem un MDR, tostarp attiecībā uz konstrukcijas pārbaudi, izmēru saderību un uzraudzītu lauka veiktspēju.

Kombinēšana ar alternatīviem CE marķētiem izstrādājumiem jāveic, ņemot vērā dokumentētu vietējā riska novērtējumu, ko izpilda speciālists.

Garantija

Šīs ierīces garantija ir 24 mēneši no sākotnējās iegādes datuma, ja vien nav norādīts citādi. Šī kompaktā stabilizējošā mehānisma garantija ir 12 mēneši no sākotnējās iegādes datuma, ja vien nav norādīts citādi. Garantija neattiecas uz bremžu siksnas nodilumu un plīsumiem. Lietotājam ir jāapzinās, ka izmaiņas vai pārveidojumi, kas nav skaidri apstiprināti, var anulēt garantiju, darbības licences un izņēmumus. Pilnīgu pašreizējo garantijas paziņojumu, tostarp informāciju par nodilumu un plīsumiem, skatīt Blatchford tīmekļa vietnē.

Ziņošana par nopietniem negadījumiem

Ja rodas nopietns negadījums, kas saistīts ar šo ierīci un kas ir maz ticams, par to jāziņo ražotājam un valsts kompetentajai iestādei.

Vides aspekti

Ja iespējams, komponenti jāpārstrādā saskaņā ar vietējiem atkritumu apstrādes noteikumiem.

Iepakojuma etiķetes saglabāšana

Iesakām glabāt iepakojuma etiķeti atsaucei par piegādāto ierīci.

Paziņojumi par preču zīmēm

Blatchford ir Blatchford Products Limited reģistrēta preču zīme.

Ražotāja reģistrētā adrese



Blatchford Products Limited, Lister Road, Basingstoke RG22 4AH, Apvienotā Karaliste

Turinys	146
1 Aprašas ir numatyta paskirtis.....	147
2 Saugos informacija	148
3 Konstrukcija.....	149
4 Veikimas.....	149
5 Priežiūra	150
6 Naudojimo apribojimai	151
7 Lygiavimas stende.....	152
8 Lygiavimo patarimai ir stabilumo reguliavimas	153
9 Dinaminis lygiavimas	154
10 Stabilizavimo mechanizmo priežiūra.....	155
11 Ekstenzijos buferio priežiūra	159
12 Trikčių šalinimas.....	160
13 Techniniai duomenys.....	160
14 Informacija apie užsakymą	161
14.1 Atsarginės dalys.....	161

1 Aprašas ir numatyta paskirtis

Ši instrukcija skirta gydytojui.

Joje terminu *priemonė* vadinamas kelio protezas „BMK2“.

Įsitikinkite, kad naudotojas supranta visus naudojimo nurodymus, ypač atkreipdami dėmesį į priežiūros ir saugos informaciją.

Prieš naudodamas priemonę, naudotojas turi baigti eisenos mokymo kursą.

Taikymas

Priemonė skirta naudoti tik kaip apatinės galūnės protezo dalis.

Priemonė yra svoriu aktyvuojamas kompaktiškas kelio protezas, kuriame galima reguliuoti spyruoklės ekstenzinį lenkimą.

Priemonė skirta vienam naudotojui.

Ypatybės

- Svoriu aktyvuojamas, reguliuojamasis atramos fazės valdiklis
- Reguluojamasis ekstenzinio lenkimo valdiklis, amortizuojantis smūgį galinėje padėtyje
- Didžiausias fleksijos kampas yra 130°

Mobilumo lygis

Priemonė skirta 1 ir 2 mobilumo lygio naudotojams. Maksimalų naudotojo svorį žr. 13 skyriuje *Techniniai duomenys*.

1 mobilumo lygis

Naudodamas protezą geba perkelti svorį nuo vienos kojos ant kitos arba eiti lygiu paviršiumi vienodu greičiu. Tipinis ambulatorinis ligonis, galintis vaikščioti su apribojimais arba be jų tik gyvenamojoje vietoje.

2 mobilumo lygis

Geba vaikščioti ir įveikti žemas aplinkos kliūtis, pvz., šaligatvio bortelius, laiptus arba nelygius paviršius. Tipinis ambulatorinis ligonis, galintis su apribojimais vaikščioti ne tik gyvenamojoje vietoje.

3 mobilumo lygis

Geba vaikščioti kintamu greičiu. Tipinis ambulatorinis ligonis, kuris gali vaikščioti ne tik gyvenamojoje vietoje, geba įveikti daugumą aplinkos kliūčių ir gali užsiimti profesine, terapine arba mankštos veikla, dėl kurios protezas turi būti naudojamas intensyviau, nei atliekant įprastus judesius.

4 mobilumo lygis

Geba vaikščioti su protezu tokiu būdu, kuris viršija elementaraus vaikščiojimo įgūdžius, pasižymi stipriais smūgiais, įtempiais ir dideliu energijos kiekiu. Tipiniai vaikų, aktyvių suaugusiųjų arba sportininkų su protezu poreikiai.

Kontraindikacijos

Priemonė netinka naudotojams, atitinkantiems šias sąlygas arba turintiems tokių sveikatos sutrikimų:

- Itin didelis raumenų silpnumas, kontraktūros, prie kurių negalima tinkamai pritaikyti, arba proprioceptinė disfunkcija, įskaitant sunkumą išlaikyti pusiausvyrą.
- Kontralateralinio sąnario nestabilumas arba patologija.
- Sudėtingi sveikatos sutrikimai, apimantys kelias negalias.
- Naudotojai (įskaitant tuos, kurių abi galūnės amputuotos virš kelio), kuriems reikalinga kelio lenkimo funkcija, kad galėtų leistis laiptais arba atsisėsti. Šiais veiksmais galima sugadinti stabdžio mechanizmą, o tai gali paveikti stabilumą ir patvarumą.

Klinikinė nauda

- Stabilizuojantis kelio protezas sklandžiai aktyvuojamas perkėlus svorį, todėl suteikia saugumo jausmą stovint ir vaikstant nelygiu paviršiumi. Pakeliant pirštus jis taip pat sklandžiai atsilaisvina.
- Tampriai veikiantis stabilizavimo mechanizmas riboja fleksiją per atramos fazę, o tai sumažina smūgį atremiant kulną.

2 Saugos informacija



Šiuo įspėjamoju simboliu pažymėta svarbi saugos informacija, kuria būtina atidžiai vadovautis.



Apie bet kokius kelio protezo veikimo savybių arba funkcionavimo pakitimus, pvz., ribotą judėjimą, nesklandų judėjimą arba neįprastus garsus, būtina nedelsiant pranešti priežiūros specialistui. Mosto fazės gale prieš pat kulno atsitrenkimą, galūnei visiškai išsitiesus gali pasigirsti smūgio garsas dėl papildomos ekstenzijos.



Visada laikykitės už turėklų, kai leidžiatės laiptais žemyn ir kitais atvejais, kai turėklai įrengti. Saugokite nuo itin didelio karščio ir (arba) šalčio.



Priemonė neskirta naudoti vandenyje arba kaip dušo protezas. Įvykus kelio protezo sąlyčiui su vandeniu, nedelsdami sausai nušluostykite.



Priemonė netinkama ekstremaliam sportui, bėgimui, dviračių lenktynėms, žiemos sporto šakoms, labai stačioms įkalnėms ir laiptams. Užsiimdami tokia veikla naudotojai prisiima visą atsakomybę.



Priemonės surinkimo, priežiūros ir remonto darbus privalo atlikti tik tinkamos kvalifikacijos gydytojas.



Atlikdami priemonės techninę priežiūrą patikrinkite, ar stabdžio būgne nėra tepalo.



Vairuokite tik tinkamai pritaikytas transporto priemones. Valdydami motorines transporto priemones visi asmenys privalo laikytis atitinkamų vairavimą reglamentuojančių teisės aktų.



Naudotojui neleidžiama koreguoti ar savavališkai keisti priemonės sąrankos.



Naudotoją reikia informuoti, kad pajutus diskomfortą būtina susisiekti su gydytoju.



Visada atminkite apie pirštų prispaudimo pavojų.



Per didelis kulno aukščio pasikeitimas baigus lygiuoti gali neigiamai paveikti galūnės funkcionavimą.

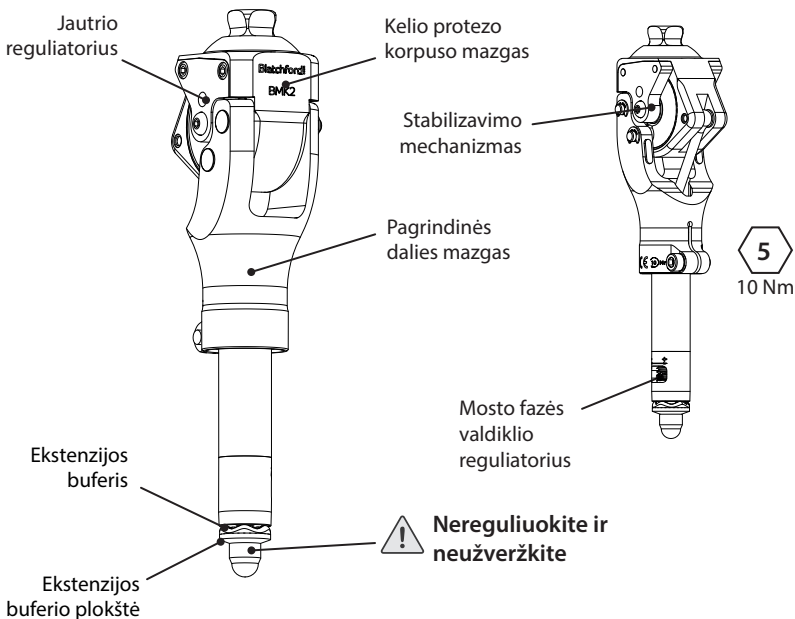
3 Konstrukcija

Pagrindinės dalys

- Pagrindinės dalies mazgas (aliuminis, nerūdijantysis plienas, poliuretanas, fetras)
- Kelio protezo korpuso mazgas (aliuminis, nerūdijantysis plienas)
- Stabilizavimo mechanizmas (aliuminis, bronzos, acetolio homopolimeras, poliuretanas, sintetinis kaučiukas)

Pastaba... Stabilizavimo mechanizmo frikinės medžiagos sudėtyje nėra asbesto.

Komponentų identifikavimas



4 Veikimas

Kelio protezas aktyvuojamas svoriu. Jo jautrį galima pritaikyti prie naudotojo stabilumo poreikių.

Mosto fazės valdiklis reguliuojamas keičiant cilindrinės spyruoklės suspaudimą. Ši spyruoklė kontroliuoja kulno pakilimą ir ekstenzinį lenkimą.

Tamprus stabdžio juostelės mechanizmas leidžia priemonei užtikrinti atramos fazės fleksiją aktyvuojant stabdį.

5 Priežiūra

Priežiūros darbus privalo atlikti kompetentingi darbuotojai.

Rekomenduojama kasmet atlikti šiuos priežiūros darbus:

- Patikrinkite, ar visi ne reguliavimo varžtai tinkamai užveržti (žr. skyrių „Konstrukcija“) (NEUŽVERŽKITE uždengtos veržlės distaliniam gale).
- Nuvalykite stabdžio trinkelę ir pakeiskite ekstenzijos stabdiklius (tvarka aprašyta 10 skyriuje *Stabilizavimo mechanizmo priežiūra*).
- Atsiradus neįprastiems garsams, pvz., cypimui ir gurgždėjimui, arba sumažėjus stabilumui, atlikite stabilizavimo mechanizmo techninę priežiūrą, žr. 10 skyrių *Stabilizavimo mechanizmo priežiūra*. Jei garsai nesiliauja, susiekite su savo „Blatchford“ atstovu.
- Ekstenzijos buferis dėvisi – tai normalu. Jei per didelis triukšmas girdimas esant visiškai ekstenzijai, pakeiskite ekstenzijos buferį. Žr. 11 skyrių *Ekstenzijos buferio priežiūra*.
- Patikrinkite, ar nėra per didelio vidurinio ir šoninio korpuso laisvumo.
- Jei stabdžio juostos trinkelės galinis kraštas yra nusidėvėjęs iki stabdžio juostos plastiko, pakeiskite visą stabdžio juostą. (Pastaba: trinkelės atskirai nekeičiamos.)
- Iš naujo surinkdami patikrinkite, ar stabdžio juostos padėtis yra teisinga. Prieš naudodami visada patikrinkite stabilumą.

Naudotojui reikia perduoti pateiktą naudotojo vadovą ir nurodyti pranešti gydytojui apie:

- Kūno svorio arba mobilumo lygio pasikeitimus
- Priemonės veikimo savybių pakitimus

Galimi veikimo pakitimai:

- Ribota mosto fazė
- Mosto fazės tolygumo pakitimai
- Mažesnis stabilumas per atramos fazę
- neįprasti garsai.

Valymas

Drėgna šluoste ir švelniu muilu nuvalykite išorinius paviršius. NENAUDOKITE stiprių valiklių. Prieš naudodami kruopščiai nusauskite.

6 Naudojimo apribojimai

Numatyta naudojimo trukmė

Visai gaminio naudojimo trukmei taikoma garantija – reikia atlikti vietinį rizikos vertinimą ir įvertinti aktyvumą bei naudojimą.

Sunkių daiktų kėlimas

Leidžiamas naudotojo svoris ir aktyvumas priklauso nuo nurodytų ribų.

Galimybė naudotojui nešti sunkius daiktus turi būti pagrįsta vietiniu rizikos vertinimu.

Pastaba... Priemonė aktyvuojama svoriu, todėl nešant daiktus per atramos fazę gali lengviau įsijungti palaikymas.

Aplinka

Saugokite priemonę nuo koroziją sukeliančių medžiagų, pvz., vandens, rūgščių ir kitų skysčių.



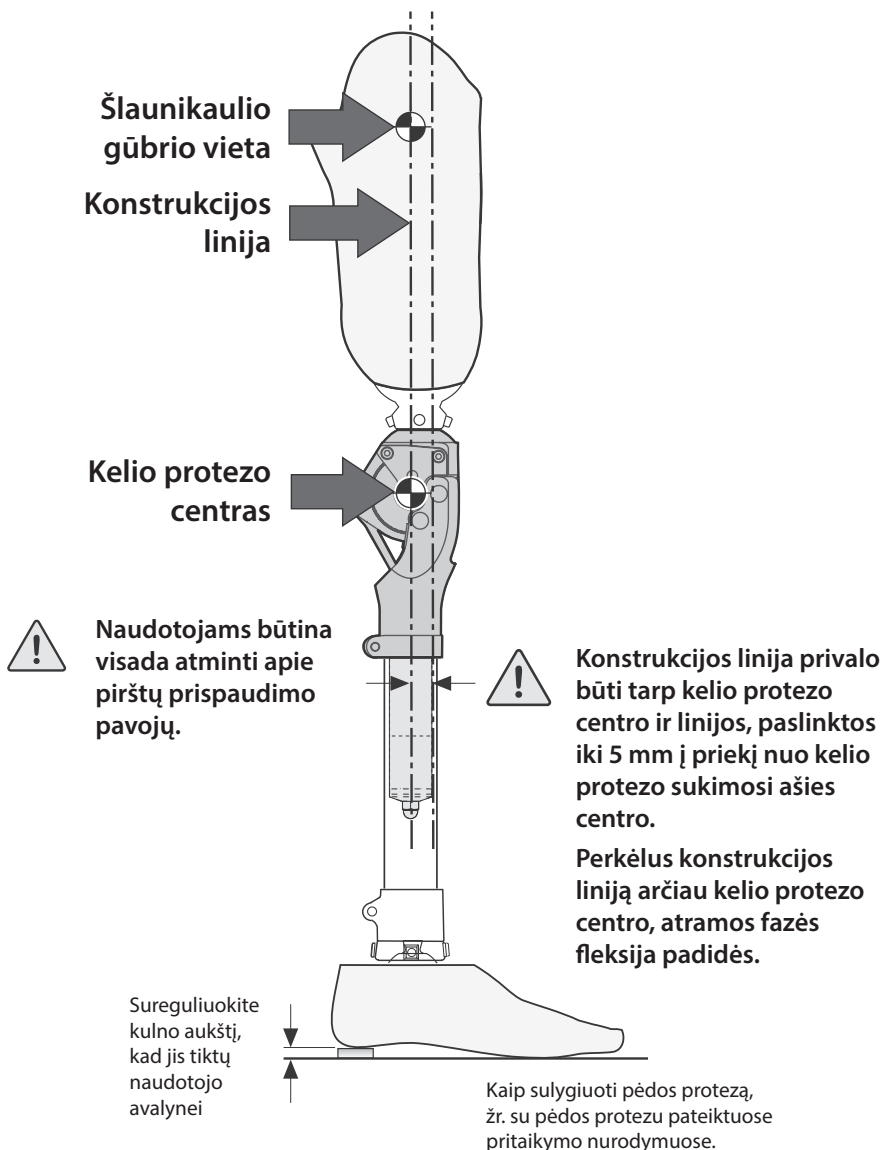
Taip pat venkite aplinkos, kurioje yra abrazyvinių medžiagų, pvz., smėlio, nes jos gali sukelti pirmalaikį susidėvėjimą.

Tinkama naudoti lauke

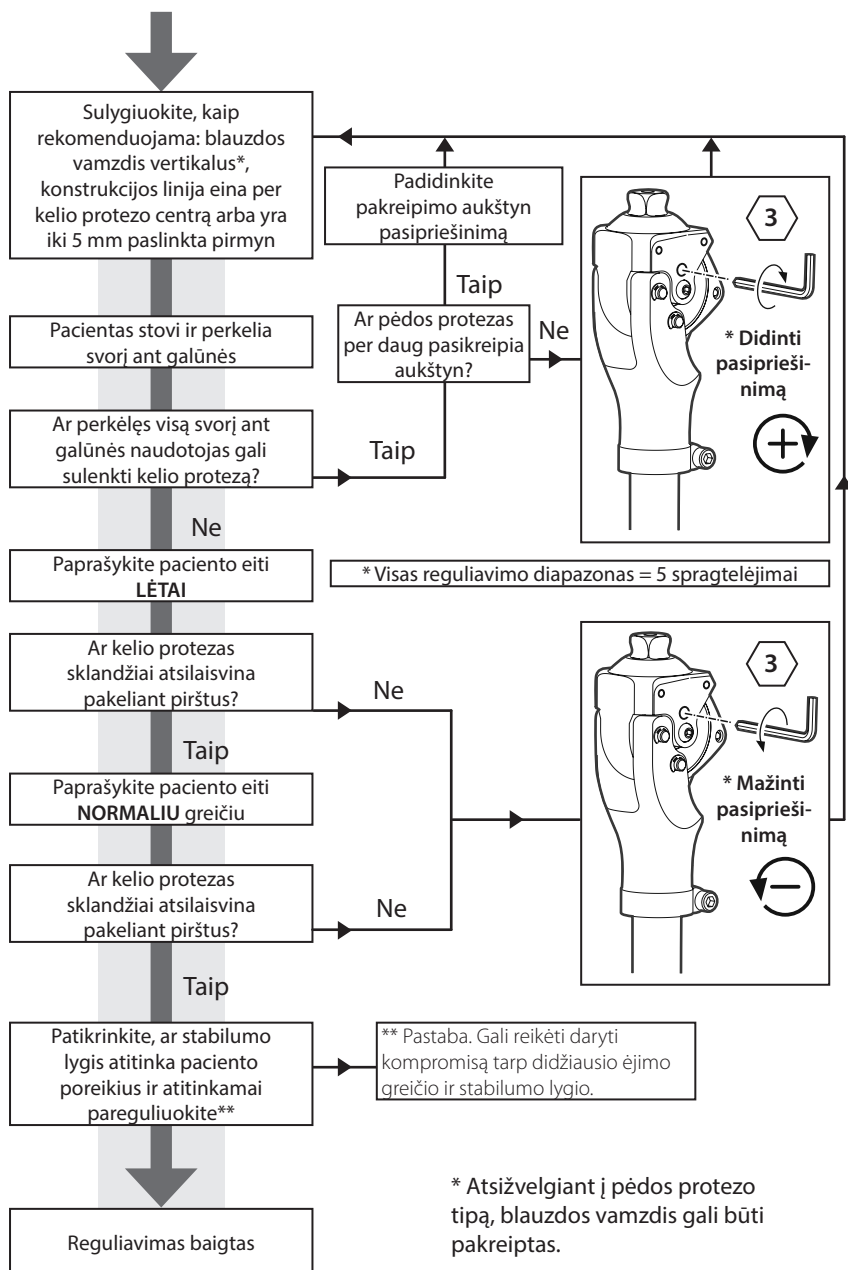
Naudokite tik nuo –15 °C iki 50 °C temperatūroje.

7 Lygiavimas stende

Lygiuojant protezą naudojimui su priemone, itin svarbu nustatyti tinkamą konstrukcijos linijos padėtį. Kelio protezą reikia sulygiuoti taip, kad jis būtų geometriškai stabilus. Visiškai pritaikius fleksiją bigės ėmiklyje, konstrukcijos linija turi eiti per šlaunikaulio gūbrį ir kelio protezo centrą arba lygiagrečia linija, paslinkta iki 5 mm į priekį nuo kelio protezo centro.



8 Lygiavimo patarimai ir stabilumo reguliavimas

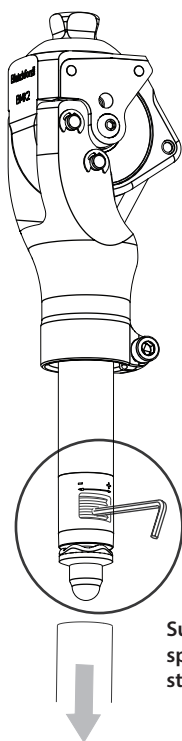


9 Dinaminis lygiavimas

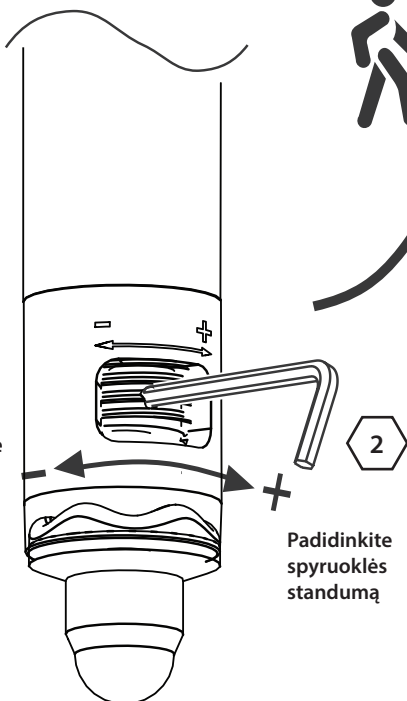
Mosto fazės valdiklio reguliavimas (ekstenzinis lenkimas)

Pastaba. Jei lygiuojama ranka, prieš pat visišką ekstenziją gali būti juntama, kaip veikia smūgio galinėje padėtyje amortizavimas – tai yra normalu.

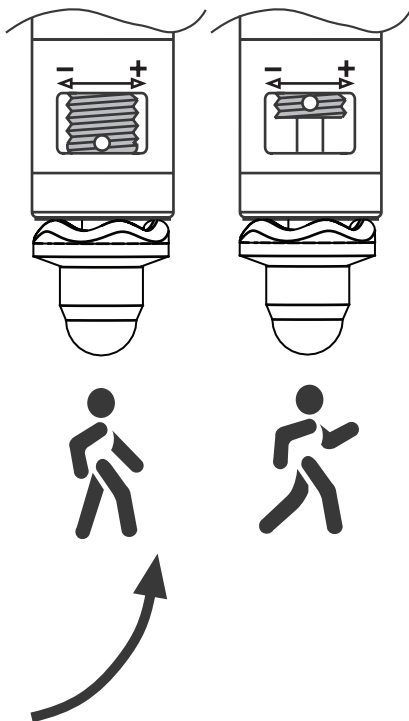
Situacija	Sprendimas
Per mosto fazę kulnas pakyla per aukštai arba priemonė ne visiškai išsitiesia.	Padidinkite spyruoklės standumą
Per mosto fazę kulnas pakyla per žemai arba naudotojas jaučia smūgį galinėje padėtyje.	Sumažinkite spyruoklės standumą



Sumažinkite
spyruoklės
standumą



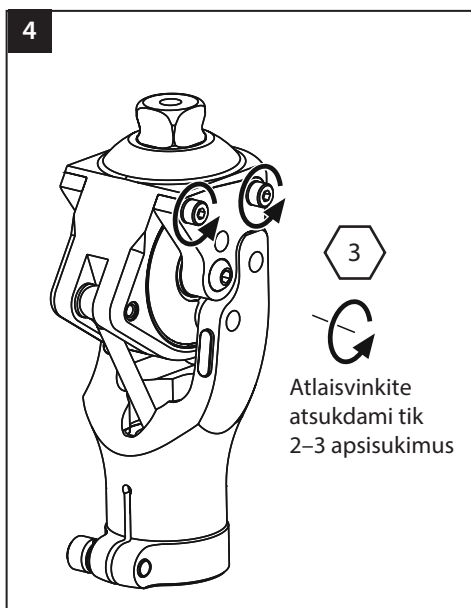
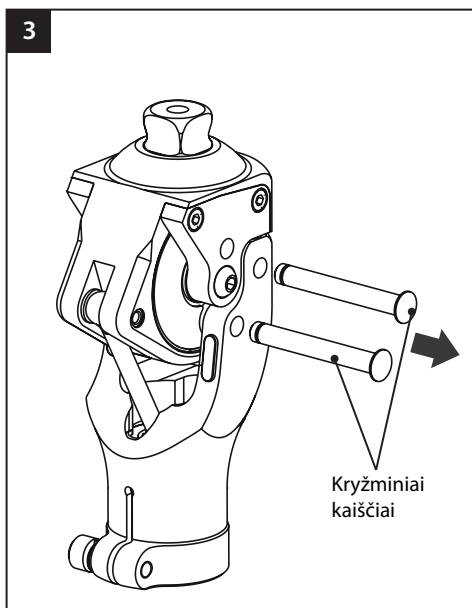
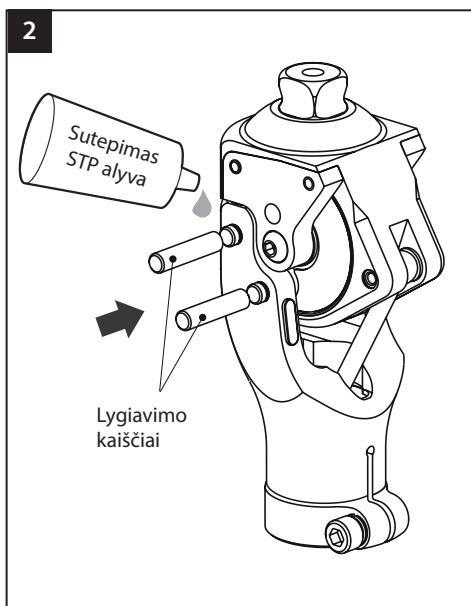
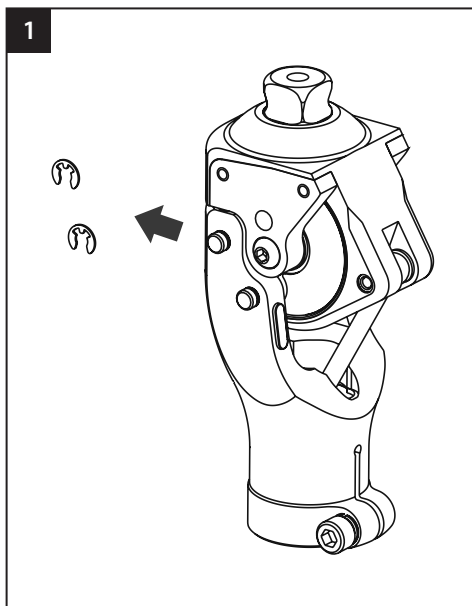
Padidinkite
spyruoklės
standumą

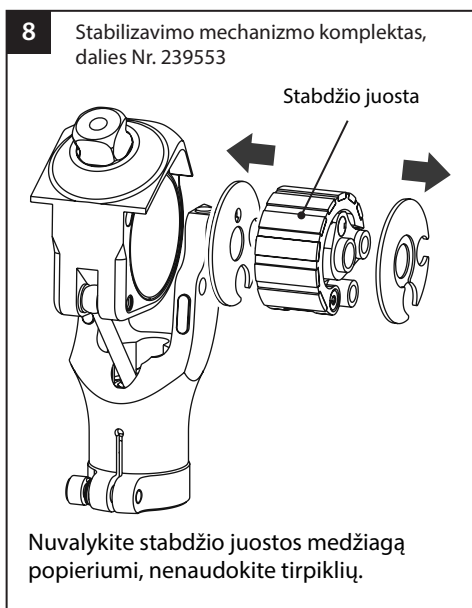
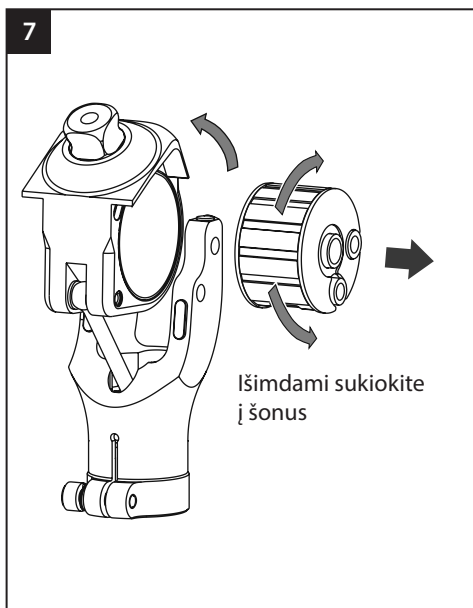
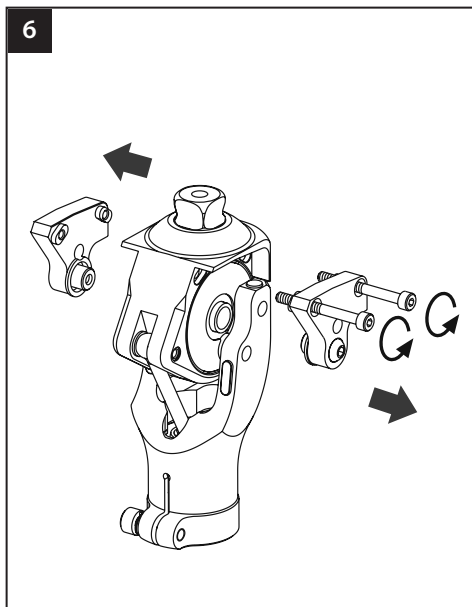
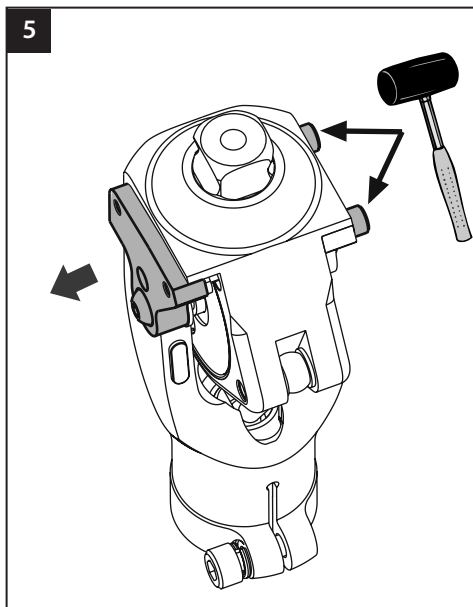


10 Stabilizavimo mechanizmo priežiūra

⚠ Visada naudokite higienos ir saugos priemones, įskaitant siurbimo įrangą.

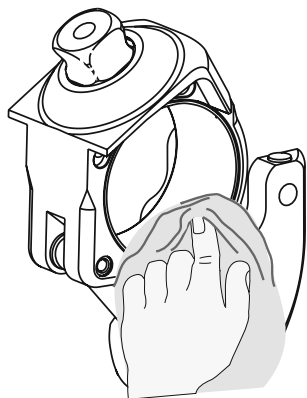
⚠ Visada atminkite apie pirštų prispaudimo pavojų.





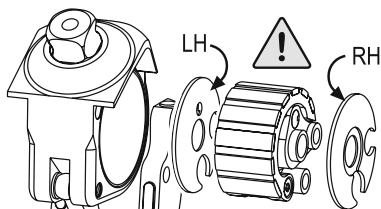
9

Tinkamu tirpikliu išvalykite angą.

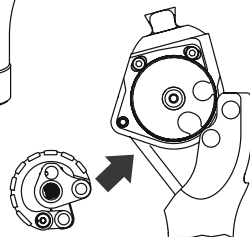


10

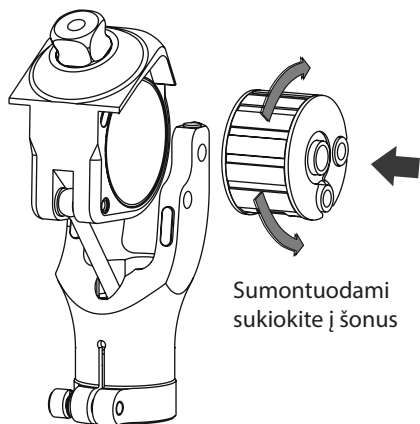
Pakartotinis surinkimas



Atkreipkite dėmesį
į mechanizmo
orientaciją

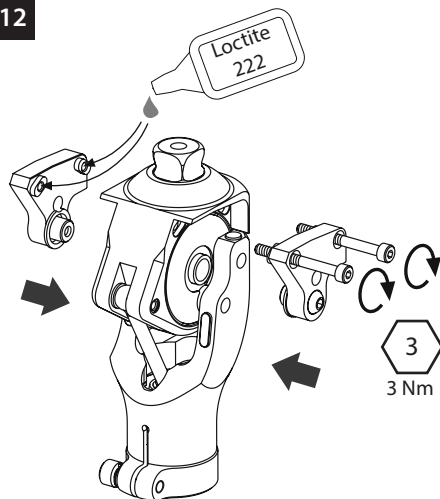


11



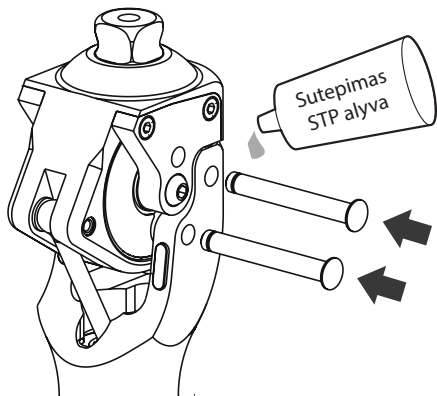
Sumontuodami
sukiokite į šonus

12



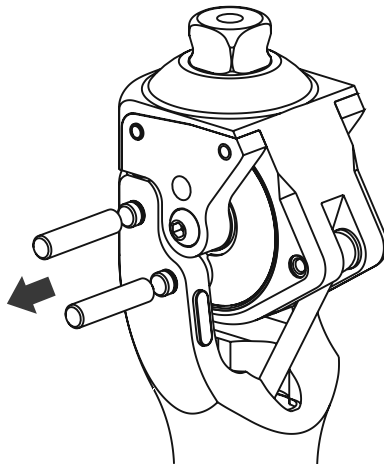
13

Kryžminius kaiščius sutepkite plonu tepalo sluoksniu (dalies Nr. 928105).

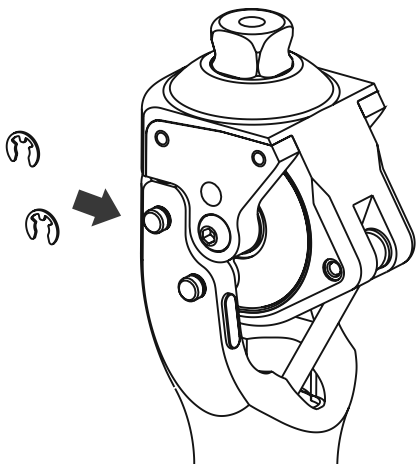


! Į stabdžio būgną neturi patekti tepalo. Dėl to priemonė gali tapti nestabili.

14



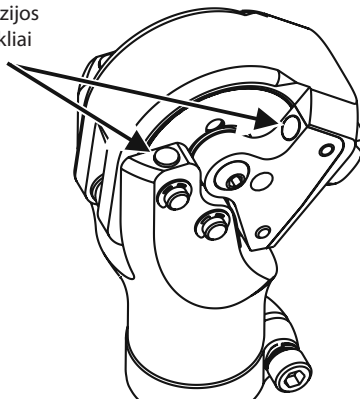
15



16

Kasmet pakeiskite visus 4 ekstenzijos stabdiklius. Ekstenzijos stabdiklių komplekto dalies Nr. – 239453

Ekstenzijos stabdikliai



Atlikus priežiūros darbus svarbu patikrinti, ar tinkamai sureguliuotas naudotojo stabilumas. Žr. struktūrinę schemą skyriuje „Lygiavimo patarimai ir stabilumo reguliavimas“.

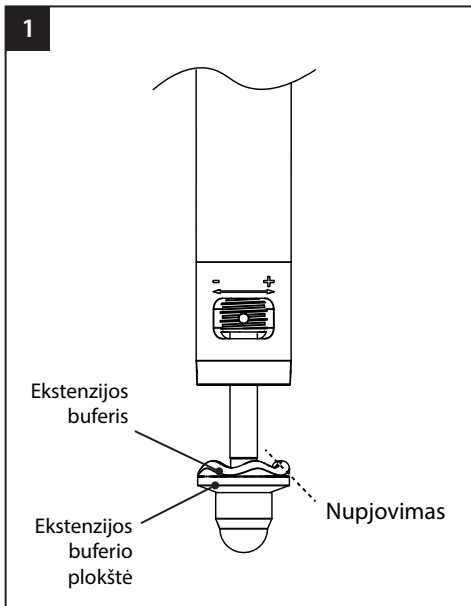
11 Ekstenzijos buferio priežiūra



Visada naudokite higienos ir saugos priemones, įskaitant siurbimo įrangą.

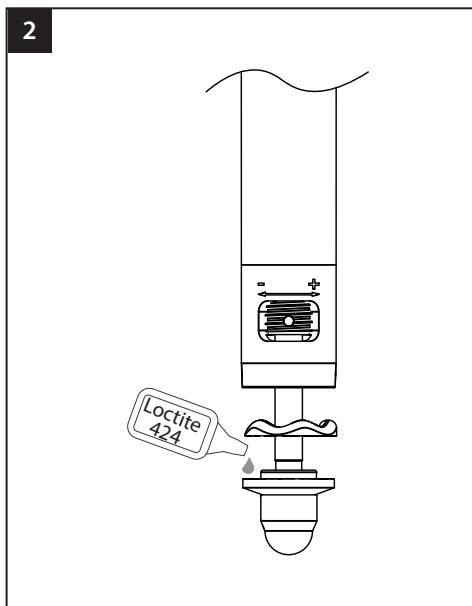


Visada atminkite apie pirštų prispaudimo pavojų.



Peiliu nupjaukite ir nuimkite senąjį ekstenzijos buferį.

Viršutinį ekstenzijos buferio plokštės paviršių nuvalykite tinkamu tirpikliu.



Ištempkite naują ekstenzijos buferį virš ekstenzijos buferio plokštės.

Ekstenzijos buferį prie ekstenzijos buferio plokštės pritvirtinkite „Loctite 424“.

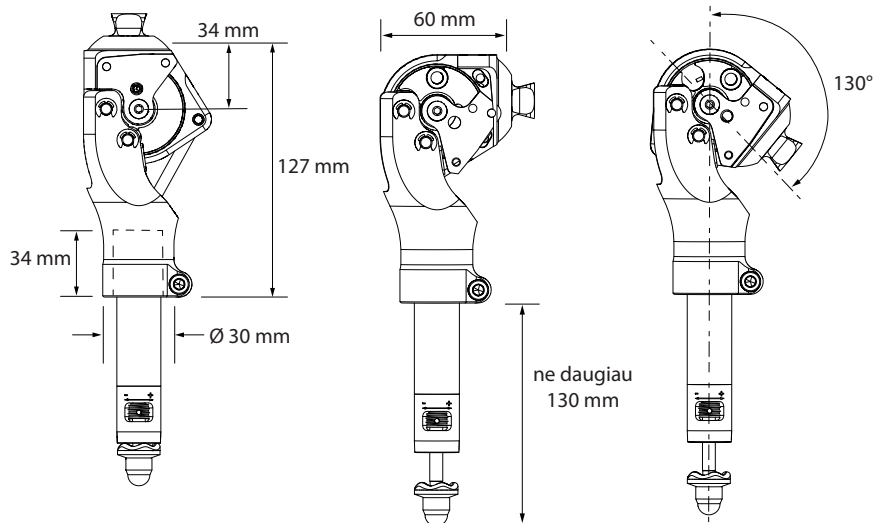
12 Trikčių šalinimas

Požymis	Sprendimas
Kelio protezas skleidžia per didelį triukšmą.	Nuvalykite stabdžio juostą ir stabdžio būgną. Sutepkite sukamuosius kaiščius tepalu. Tvarką žr. 10 skyriuje <i>Stabilizavimo mechanizmo priežiūra</i> .
Kelio protezas nesuteikia stabilumo.	Patikrinkite, ar sureguliuotas stabilumas. Žr. 8 skyrių <i>Lygiavimo patarimai ir stabilumo reguliavimas</i> . Išvalykite stabdžio būgną. Patikrinkite, ar nesusidėvėjo stabdžio trinkelės, ir, jei pažeistas stabdžio galinis kraštas, pakeiskite stabilizavimo mechanizmą. Tvarką žr. 10 skyriuje <i>Stabilizavimo mechanizmo priežiūra</i> .
Kelio protezas neatsilaisvina.	Patikrinkite, ar sureguliuotas stabilumas. Žr. 8 skyrių <i>Lygiavimo patarimai ir stabilumo reguliavimas</i> .

13 Techniniai duomenys

Darbinės ir laikymo temperatūros diapazonas	nuo –15 °C iki 50 °C
Komponento svoris	580 g
Rekomenduojamas mobilumo lygis	2
Didžiausias naudotojo svoris	125 kg
Proksimalinis lygiavimo tvirtinimas	Sukamoji įkišamoji piramidė („Blatchford“)
Distalinis tvirtinimas	30 mm skersmens vamzdžio veržiklis („Blatchford“)
Konstrukcijos linijos aukštis	127 mm
Nuo proksimalinės piramidės iki distalinio vamzdžio galo (Žr. <i>Derinimo ilgis</i> 161 puslapis)	(+130 mm)

Derinimo ilgis





14 Informacija apie užsakymą

Užsakymo pavyzdys

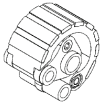


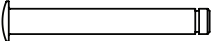


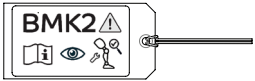

BMK2

14.1 Atsarginės dalys


Ekstenzijos stabdiklių komplektas 239453

Aprašas	Kiekis	Iliustracija
Ekstenzijos stabdiklis – „BMK2“	4	
Pritaikymo nurodymai	1	


Stabilizavimo mechanizmo komplektas 239553

Aprašas	Kiekis	Iliustracija
Kompaktiškas stabilizavimo mechanizmas	1	
Dangtelis nuo dulkių kairėje	1	
Dangtelis nuo dulkių dešinėje	1	
Kryžminis kaištis	2	
Laikiklio išorinis E formos žiedas	2	
Lygiavimo kaištis	2	
„BMK2“ reguliavimo įspėjimo žyma	1	
Pritaikymo nurodymai	1	

Ekstenzijos buferis

Aprašas	Kiekis	Dalies numeris	Iliustracija
Ekstenzijos buferis	1	B-0000021	

Eksplotacinės medžiagos

Aprašas	Kiekis	Dalies numeris	Iliustracija
Sutepimas STP alyva	Kaip reikalaujama	928105	
„Loctite 222“ varžto stabdiklis	Kaip reikalaujama	926001	
„Loctite 424“ klijai	Kaip reikalaujama	926104	

Atsakomybė

Gamintojas rekomenduoja naudoti priemonę tik nurodytomis sąlygomis ir numatytais tikslais. Priemonę būtina prižiūrėti vadovaujantis kartu su ja pateikta naudojimo instrukcija. Gamintojas neatsako už jokiais neigiamas pasekmes, kurias sukėlė gamintojo nepatvirtinti komponentų deriniai.

CE atitiktis

Šis gaminys atitinka Europos reglamento (ES) 2017/745 dėl medicinos priemonių reikalavimus. Vadovaujantis klasifikavimo taisyklėmis, nurodytomis reglamento VIII priede, šis gaminys priskiriamas I klasės priemonėms. ES atitikties deklaraciją galima atsisiųsti šioje svetainėje: www.blatchford.co.uk



Medicinos priemonė



Vienas pacientas –
daugkartinis naudojimas

Suderinamumas

Derinimas su „Blatchford“ gaminiais patvirtintas remiantis bandymais, įskaitant konstrukcijos bandymą, atliktais pagal susijusius standartus ir Medicinos priemonių reglamentą (MPR), matmenų suderinamumu ir stebimomis eksploatacinėmis savybėmis.

Derinti su alternatyviais CE ženklų pažymėtais gaminiais galima atsižvelgiant į gydytojo atliktą dokumentuotą vietinį rizikos vertinimą.

Garantija

Šiai priemonei suteikiama 24 mėnesių garantija nuo pradinio įsigijimo datos, jei nenurodyta kitaip. Kompaktiškam stabilizavimo mechanizmui suteikiama 12 mėnesių garantija nuo pradinio įsigijimo datos, jei nenurodyta kitaip. Stabdžio juostos nusidėvėjimui garantija netaikoma. Naudotojas turi žinoti, kad dėl pakeitimų ar modifikacijų, kurie nėra aiškiai patvirtinti, gali būti panaikinta garantija, naudojimo licencijos ir išimtyms. „Blatchford“ svetainėje galima rasti dabartinę visą garantijos pareiškimą, apimančią nusidėvėjimą.

Pranešimas apie rimtus incidentus

Jei mažai tikėtina atveju įvyktų rimtas incidentas, susijęs su šia priemone, apie jį reikia pranešti gamintojui ir kompetentingai nacionalinei institucijai.

Su aplinkosauga susiję aspektai

Kai įmanoma, komponentus reikia atiduoti perdirbti pagal vietos atliekų tvarkymo reglamentus.

Pakuotės etiketės išsaugojimas

Išsaugokite pakuotės etiketę kaip pateiktos priemonės įrodymą.

Prekių ženklų patvirtinimo informacija

„Blatchford“ yra „Blatchford Products Limited“ registruotasis prekių ženklas.

Registruotas gamintojo adresas

 Blatchford Products Limited, Lister Road, Basingstoke RG22 4AH, UK

Sisukord	164
1 Kirjeldus ja kasutusotstarve.....	165
2 Ohutusteave.....	166
3 Konstruksioon	167
4 Otstarve	167
5 Hooldus.....	168
6 Kasutuspiirangud.....	169
7 Joondumuse eelseadistamine rakises.....	170
8 Joondumusega seotud nõuanded ja stabiilsuse reguleerimine.....	171
9 Dünaamiline joondumus.....	172
10 Stabilisaatormehhanismi hooldus.....	173
11 Ekstensiooni puhvri hooldus.....	177
12 Tõrkeotsing.....	178
13 Tehnilised andmed	178
14 Tellimisteave.....	179
14.1 Varuosad.....	179

1 Kirjeldus ja kasutusotstarve

Käesolev juhend on mõeldud proteesimeistrile.

Termin *seade* viitab käesolevas kasutusjuhendis põlvele BMK2.

Veenduge, et kasutaja on kõik kasutusjuhised endale selgeks teinud, pöörates erilist tähelepanu hooldus- ja ohutusteabele.

Kasutaja peab saama kõnnitreeningut, enne kui hakkab seadet iseseisvalt kasutama.

Kasutamine

Seade on mõeldud kasutamiseks üksnes osana alajäsemeproteesist.

Seade on kompaktne keharaskusega aktiveeritav põlv, mille vedru vastujõudu saab reguleerida.

Seade on ette nähtud kasutamiseks ühel patsiendil.

Omadused

- Keharaskusega aktiveeritav reguleeritav tugiasendi vastujõud
- Reguleeritav ekstensiooni vastujõud koos hooperioodi lõppfaasi löögileevendusega
- Fleksiooni max nurk 130°

Aktiivsusgrupp

Seade on mõeldud ainult I ja II aktiivsusgrupi kasutajatele. Kasutaja max kehakaalu vt jaotisest 13 *Tehnilised andmed*.

Aktiivsusgrupp 1

Patsient on suuteline või võimeline kasutama proteesi liikumiseks või kõndimiseks tasasel pinnal muutumatu kõnnikiirusega. Iseloomustab patsienti, kes suudab kõndida vaid lühikeste sammudega või aeglase kõnnikiirusega.

Aktiivsusgrupp 2

Patsient on võimeline või potentsiaalselt võimeline kõndima ning iseseisvalt ületama madalamaid igapäevasest keskkonnast tulenevaid takistusi (äärekivid, trepid või ebatasased pinnad). Iseloomustab patsienti, kes suudab kõndida lühiajaliselt kiirema tempoga.

Aktiivsusgrupp 3

Patsient on suuteline või võimeline kõndima muutuva kõnnikiirusega. Iseloomustab patsienti, kes on suuteline kõndima ka kiire kõnnikiirusega, ületama enamikku igapäevasest keskkonnast tulenevatest takistustest ning võib tegeleda kutse-, teraapia- või treeningtegevustega, mis seavad proteesile lihtsalt liikumise abistamisest suuremad nõudmised.

Aktiivsusgrupp 4

Patsient on suuteline või võimeline kõndima proteesiga viisil, mis ületab elementaarseid kõndimisoskusi ning nõuab suuremat löögi- või pingetaluvust või energiataset. Iseloomustab lapse, aktiivse täiskasvanu või sportlase proteesivajadusi.

Vastunäidustused

Seade ei sobi:

- eriti suure lihasnõrkuse, seadme kasutamiseks sobimatu kontraktuuri või propriotseptiivse düsfunktsiooniga (sh tasakaaluhäirega) kasutajatele;
- kontralateralse liigese ebastabiilsuse või patoloogiaga kasutajatele;
- keerulise liitpuudega kasutajatele.
- kasutajatele, kes vajavad põlve järeleandvuse funktsiooni trepist allakõndimiseks või istumiseks (sh kahepoolse transfemoraalse amputatsiooni korral). See võib stabilisaatormehhanismi kahjustada ning mõjuda negatiivselt stabiilsusele ja vastupidavusele.

Kliiniline kasu

- Stabilisaatoriga põlv aktiveerub keharaskuse toetamisel sujuvalt, et pakkuda kindlust püsti seistes ja ebatasasel pinnal kõndides. Ja seejärel vabastab mehhanism põlve hooperioidi algfaasis.
- Stabilisaatormehhanismi vastujõud võimaldab piiratud fleksiooni toeperioodil, mis vähendab põrutust kannalöögi ajal.

2 Ohutusteave



Selle hoiatussümboliga on esile tõstetud oluline ohutusteave, mida tuleb hoolikalt järgida.



Kui põlveproteesi omadused või talitlus muutuvad (nt piiratud või katkendlik liikumine või ebatavalised helid), tuleks sellest viivitamata teenusepakkujale teada anda. Hooperioidi lõppfaasis vahetult enne kannalööki võite kuulda löögheli, mida põhjustab proteesi hüppamine ekstensiooni lõppasendisse tugivedru mõjul.



Trepist alla kõndides hoidke kinni käsipuust (ja alati ka muudel juhtudel, kui see on olemas).

Vältige kokkupuudet eriti kõrge ja/või madala temperatuuriga.



Seadet ei tohi kasutada proteesina vees ega duši all. Kui põlveprotees saab märjaks, pühkige see viivitamata kuivaks.



Seade ei sobi kasutamiseks ekstreemspordis, jooksu- ega jalgrattavõistlustel, jää- ja lumespordis, eriti järskudel kallakutel ega eriti järskudel treppidel. Mis tahes sellisteks tegevusteks kasutamine on kasutaja enda riisikol.



Seadme kokkupaneku, hooldamise ja parandamisega seotud töid tohib teha ainult asjakohase kvalifikatsiooniga proteesimeister.



Seadme hooldamisel veenduge, et stabilisaatori piduritrumlisse ei satuks mäaret.



Sõiduki juhtimisel peab sõidukile olema paigaldatud asjaomane invavarustus. Iga mootorsõiduki juht on kohustatud järgima talle kehtivat liikluseadust.



Kasutaja ei tohi seadme seadistust ise reguleerida ega muuta.



Kui kasutaja seisund muutub, peaks ta sellest viivitamata proteesimeistrile teada andma.



Olge alati teadlik sõrmede muljumise ohust.



Ülemäärane kanna kõrguse muutus pärast lõplikku joondumuse seadistamist võib mõjuda negatiivselt jäsemeproteesi talitlusele.

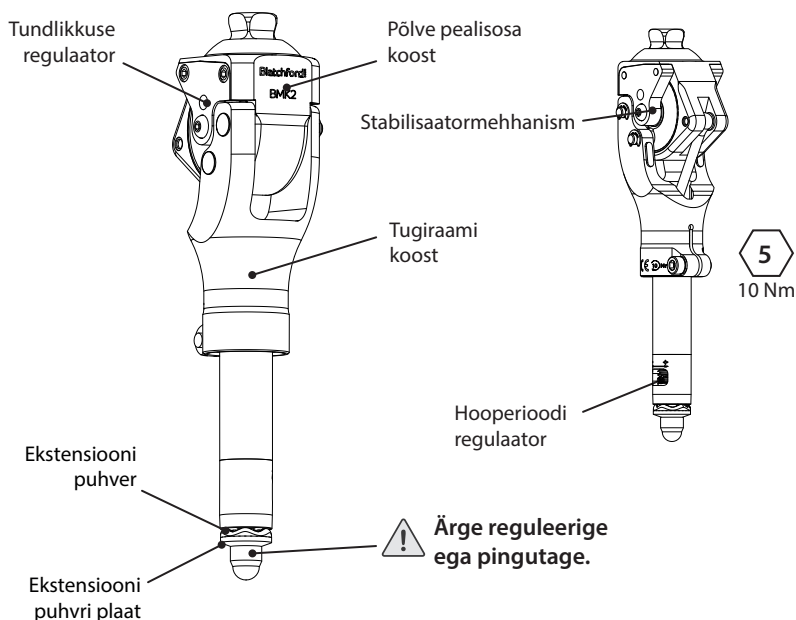
3 Konstruktsioon

Peamised osad

- Tugiraami koost (alumiinium, roostevaba teras, polüuretaan, vilt)
- Põlve pealisosa koost (alumiinium, roostevaba teras)
- Stabilisaatormehhanism (alumiinium, pronks, atsetaalhomopolümeer, polüuretaan, sünteetiline kummi)

Märkus... Stabilisaatormehhanismi hõõrdematerjal ei sisalda asbesti.

Seadme osad



4 Otstarve

Põlv aktiveerub keharaskuse mõjul ning tundlikkust saab vastavalt kasutaja stabiilsusvajadustele kohandada.

Hooperiõõdi juhtimise reguleerimiseks saab muuta kannatõusu ja ekstensiooni vastujõudu juhtiva spiraalvedru eelpinget.

Seadme hõõrdklotsi mehhanismi vetruvus võimaldab fleksiooni toeperioodil, kui pidur on aktiveeritud.

5 Hooldus

Hooldustöid võib teha ainult pädev spetsialist.

Kord aastas on soovitatav teha järgmised hooldustoimingud.

- Kontrollige kõigi reguleerimiseks mittekasutatavate kruvide pingust (vt jaotist „Konstruktsioon“) (ÄRGE pingutage kaetud mutrit distaalses otsas).
- Puhastage hõõrdeklots ja vahetage ekstensiooni piirikud (protseduuri vt jaotisest 10 *Stabilisaatormehhanismi hooldus*).
- Kui kuulete ebatavalisi helisid (nt kriiksud ja kriginad) ja/või tunnete stabiilsuse vähenemist, tehke stabilisaatormehhanismi hooldus (vt jaotist 10 *Stabilisaatormehhanismi hooldus*). Kui helid püsivad, võtke ühendust Blatchfordi kohaliku müügiesindajaga.
- Ekstensiooni puhvri kulumine on normaalne. Kui ekstensiooni lõppasendis on kuulda liigseid helisid, tuleb ekstensiooni puhver välja vahetada. Vt jaotist 11 *Ekstensiooni puhvri hooldus*.
- Kontrollige pealisosa liigse mediolateraalse lõtku osas.
- Kui hõõrdeklotsi tagaserv on kuni plastpinnani ära kulunud, tuleb vahetada välja terve hõõrdeklots. (Märkus: hõõrdeklotsi üksikuid elemente ei saa vahetada.)
- Paigaldamisel kontrollige hõõrdeklotsi orientatsiooni. Kontrollige enne kasutamist alati stabiilsust.

Kasutajale tuleb anda seadme komplektis olev kasutaja käsiraamat ning ta peaks teatama viivitamata proteesimeistrile järgmistest muutustest.

- Igasugune kehakaalu ja/või aktiivsusgrupi muutus
- Igasugune seadme omaduste muutus

Sellised omaduste muutused võivad olla näiteks järgmised.

- Piiratud liikumine hooperioodil
- Hooperioodi sujuvuse muutumine
- Väiksem stabiilsus toeperioodil
- Igasugused ebatavalised helid

Puhastamine

Kasutage välispindade puhastamiseks niisket lappi ja pehmetoimelist seepi. ÄRGE kasutage tugevatoimelisi puhastusvahendeid. Laske enne kasutamist täielikult kuivada.

6 Kasutuspiirangud

Kavandatud kasutusiga

Kasutusea jooksul kehtib tootele garantii. Koostada tuleks kohalik riskianalüüs, mis arvestab aktiivsust ja kasutamist.

Raskuste tõstmine

Kasutaja kehakaal ja aktiivsus peab jääma nimetatud piiridesse.

Kasutajale lubatud raskuste tõstmise piirid peaksid põhinema kohalikul riskianalüüsil.

Märkus... Seade aktiveeritakse keharaskusega ja raskuste tõstmine võib põhjustada tugiasendi vastujõu rakendumist liiga lihtsalt.

Keskkond

Ärge laske seadmel puutuda kokku korrodeerivate ainetega (nt vesi, happed jm vedelikud).



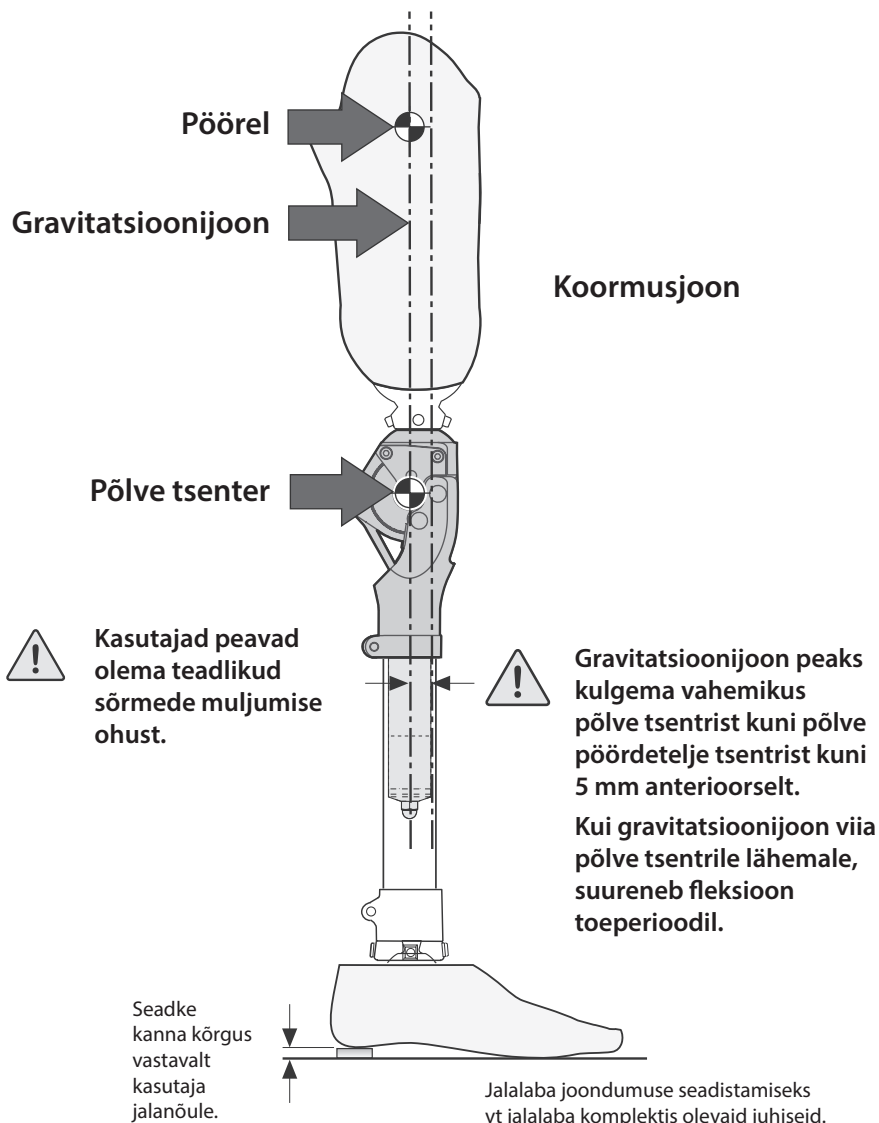
Vältige ka abrasiivseid (nt liiva sisaldavaid) keskkondi, sest need võivad põhjustada enneaegset kulumist.

Mõeldud kasutamiseks ainult temperatuurivahemikus -15 °C kuni 50 °C.

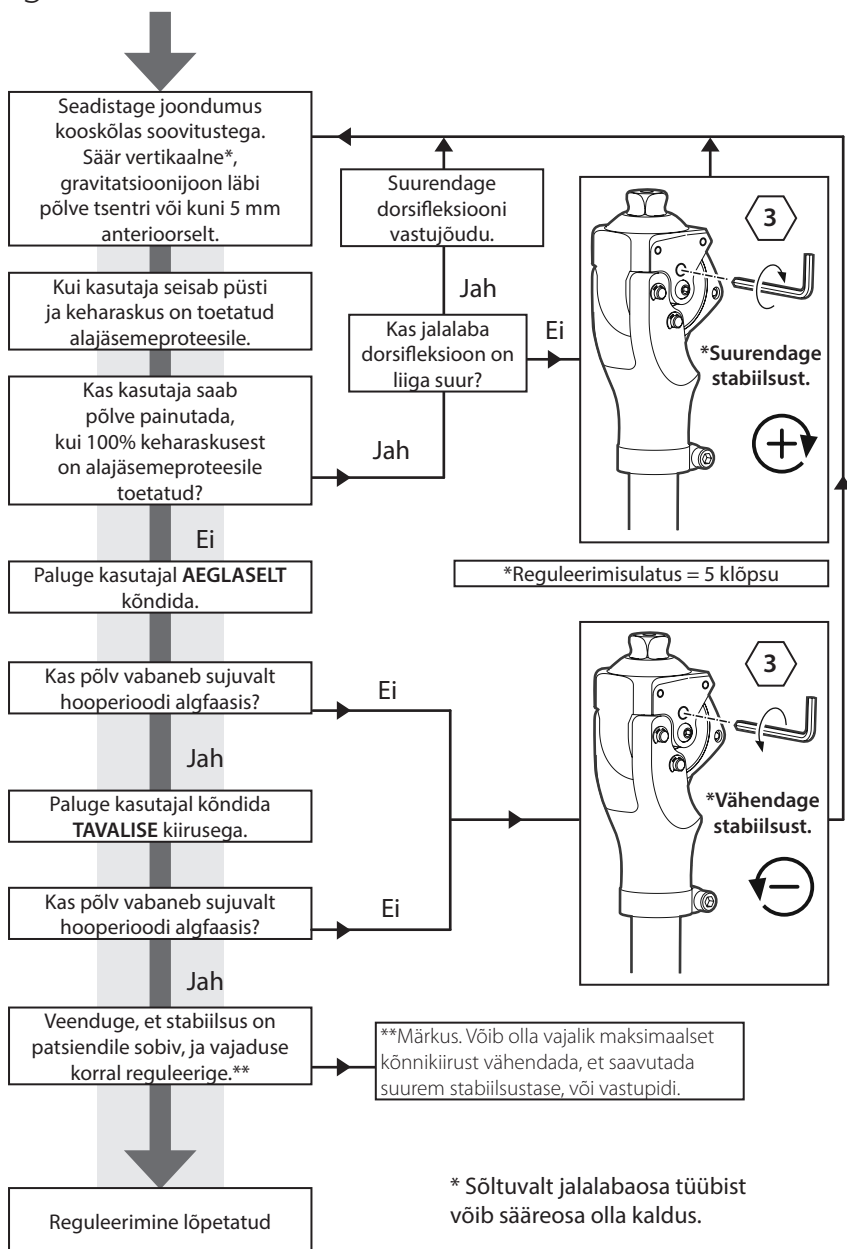
Lubatud kasutada õues

7 Joondumuse eelseadistamine rakises

Kui seadistate proteesi joondumust seadmega kasutamiseks, on gravitatsioonijoone asend kriitilise tähtsusega. Põlv tuleks seada nii, et see on geomeetriliselt stabiilne. Kui fleksioon on seatud hülsiga koos sobivaks, peaks gravitatsioonijoon kulgema läbi pöörli ja põlve tsentri või sellise joonega paralleelselt kuni 5 mm anteriorseelt põlve tsestrist.



8 Joondumusega seotud nõuanded ja stabiilsuse reguleerimine

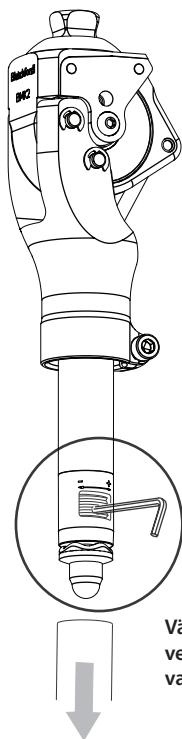


9 Dünaamiline joondumus

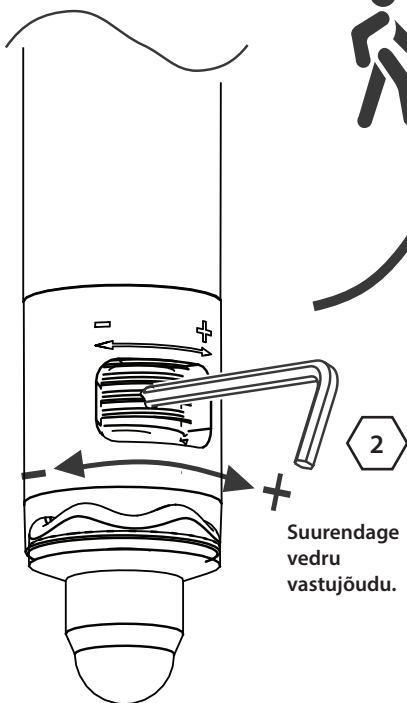
Hooperiiodi juhtimise reguleerimine (ekstensiooni vastujõud)

Märkus. Käsitsi manipuleerimisel võite tunda vahetult enne ekstensiooni lõppasendit hooperiiodi lõppfaasi löögileevendust. See on normaalne.

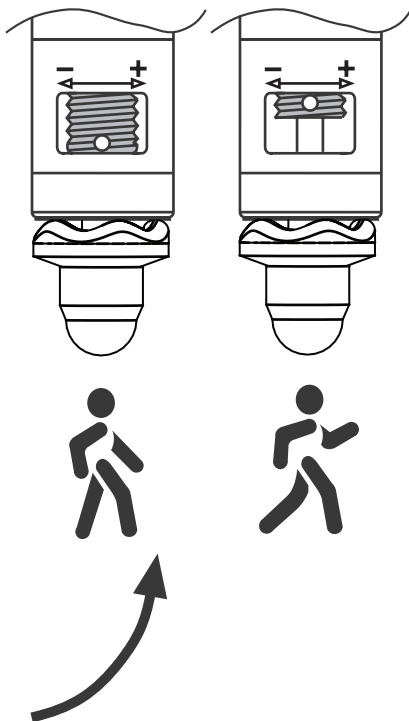
Probleem	Lahendus
Kand tõuseb hooperiiodil liiga kõrgele või seade ei jõua hooperiiodil lõppsiiruseni.	Suurendage vedru vastujõudu.
Kand ei tõuse hooperiiodil piisavalt kõrgele või kasutaja tunneb hooperiiodi lõppfaasis jõnksatust.	Vähendage vedru vastujõudu.



Vähendage vedru vastujõudu.



Suurendage vedru vastujõudu.



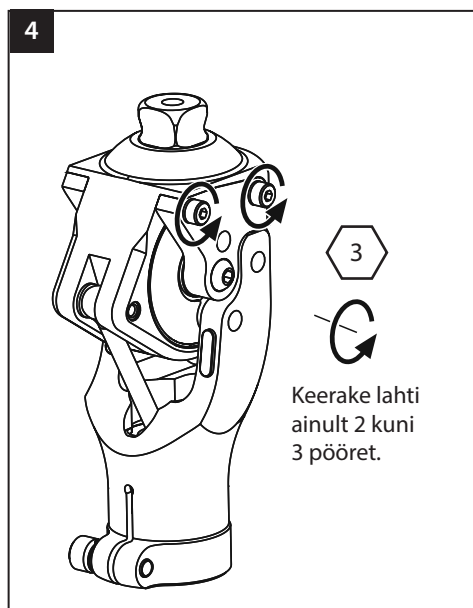
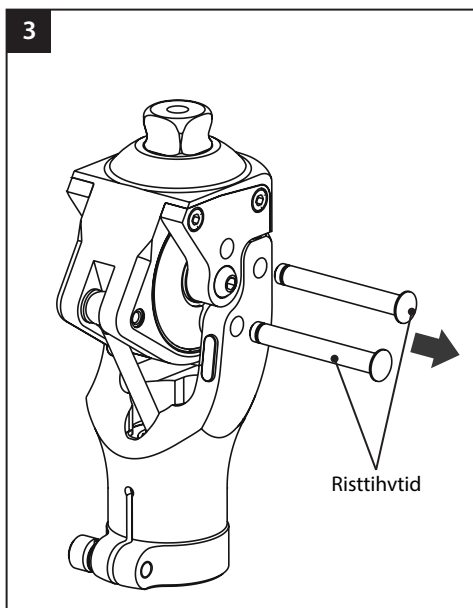
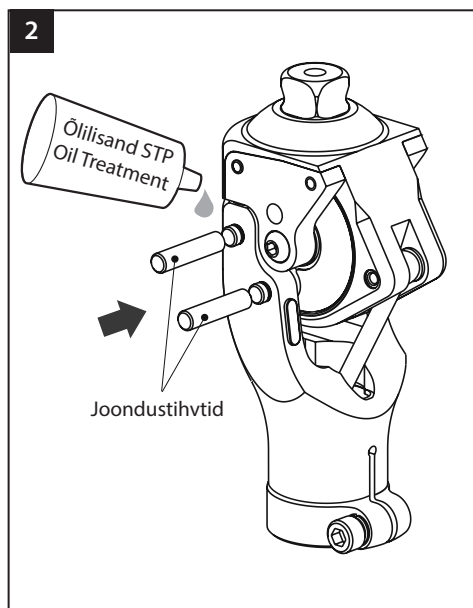
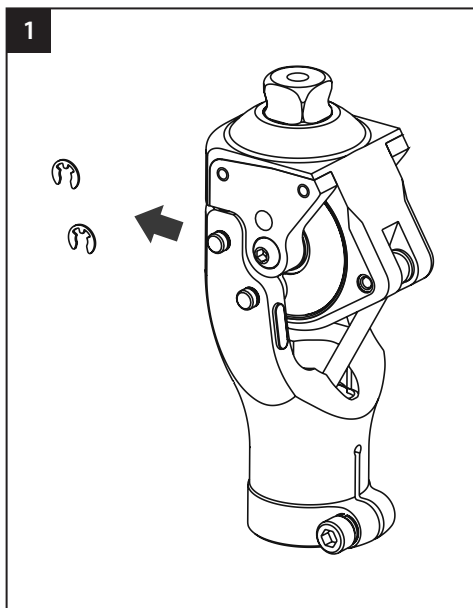
10 Stabilisaatormehhanismi hooldus

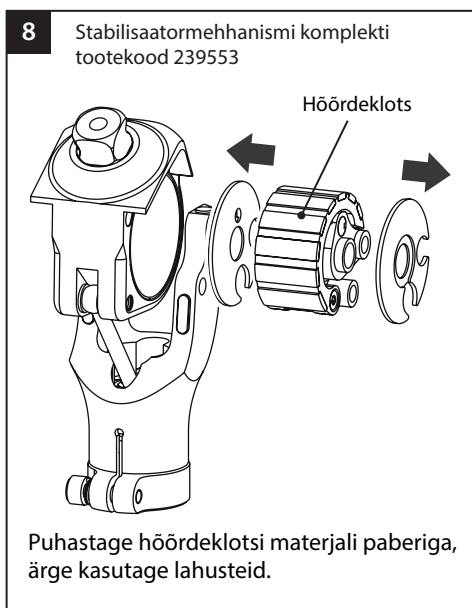
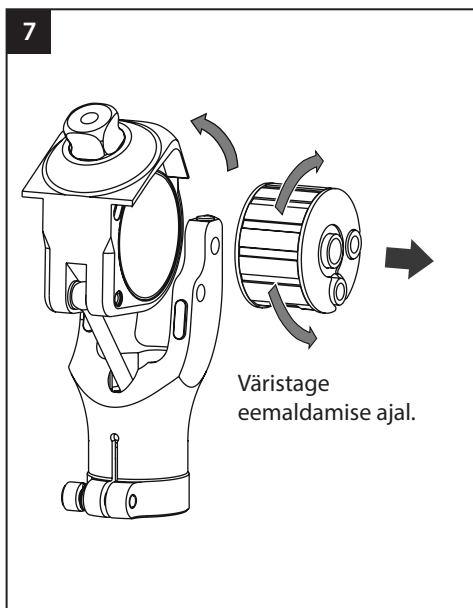
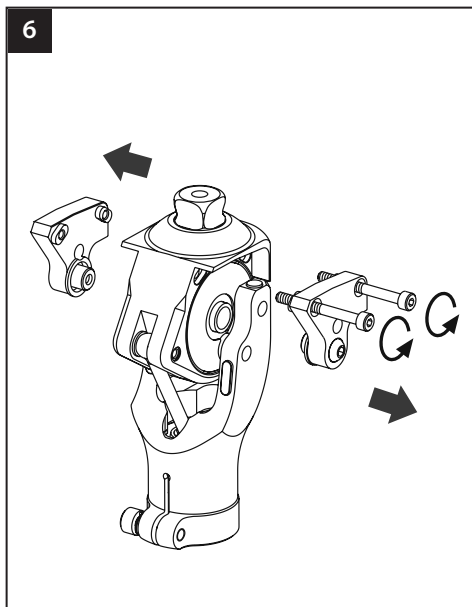
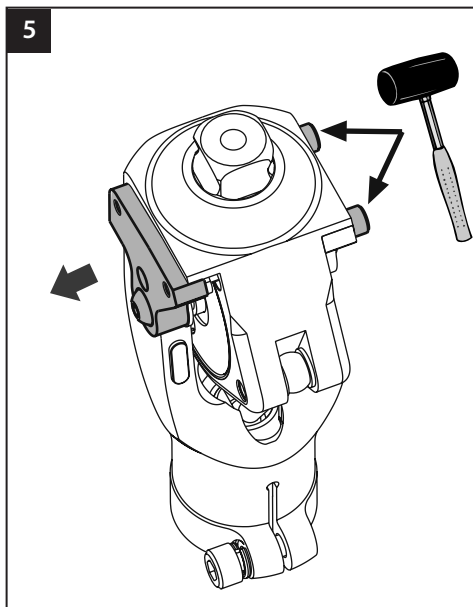


Kasutage alati sobivaid töotervishoiu ja tööohutuse vahendeid (sh äratõmbesüsteeme).



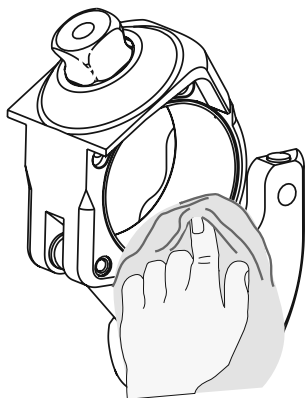
Olge alati teadlik sõrmede muljumise ohust.





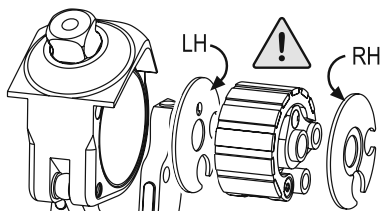
9

Puhastage õõnsust sobiva lahustiga.

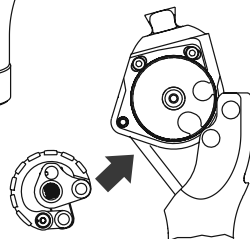


10

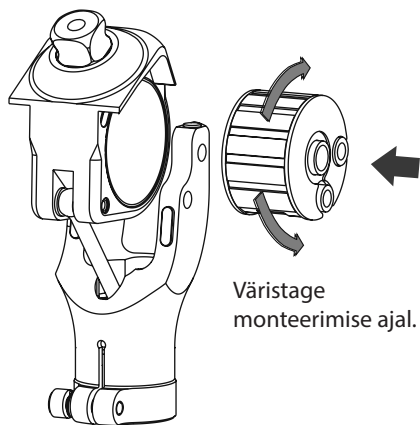
Tagasi monteerimine



Pöörake tähelepanu mehhanismi suunale.

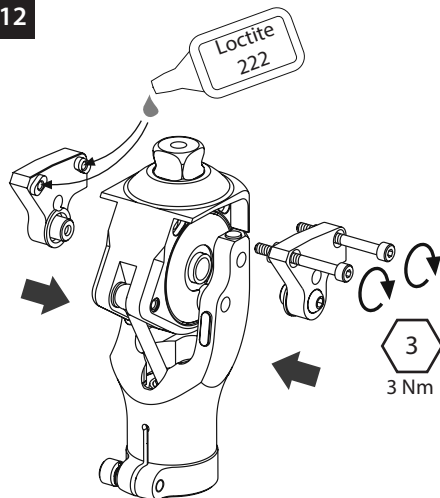


11



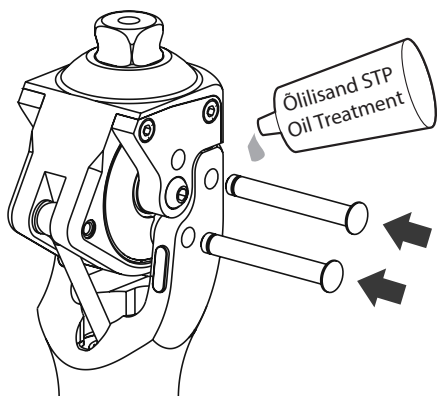
Väristage monteerimise ajal.

12



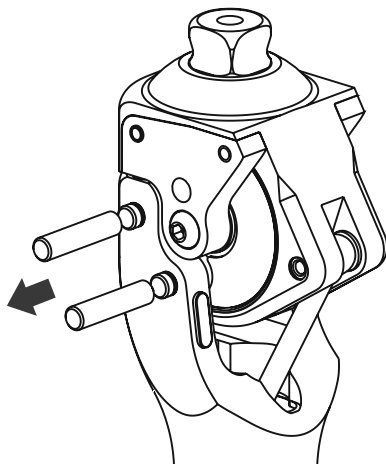
3
3 Nm

- 13** Kandke ristihvtidele õhuke kiht määrät (tootekood 928105).

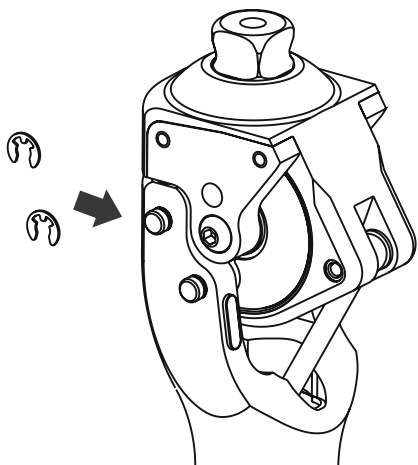


! Ärge laske määrdeainel piduritrumli sisse sattuda. See võib muuta seadme ebastabiilseks.

14



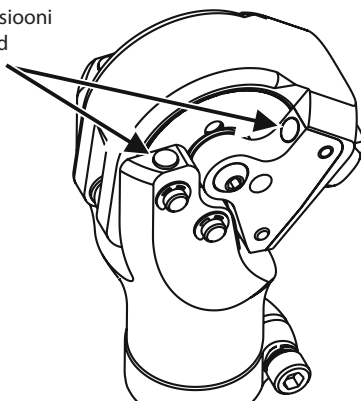
15



16

- Vahetage kord aastas kõik 4 ekstensiooni piirikut. Ekstensiooni piirikute komplekt, tootekood 239453

Ekstensiooni piirikud



Pärast hooldustöid tuleb kindlasti vaadata üle kasutaja stabiilsuse seadistus.
Vt vooskeemi jaotises „Joondumusega seotud nõuanded ja stabiilsuse reguleerimine“.

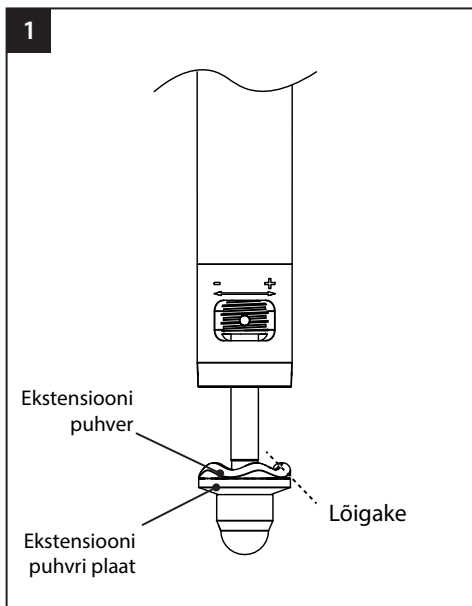
11 Ekstensiooni puhvri hooldus



Kasutage alati sobivaid töötervishoiu ja tööohutuse vahendeid (sh äratõmbesüsteeme).

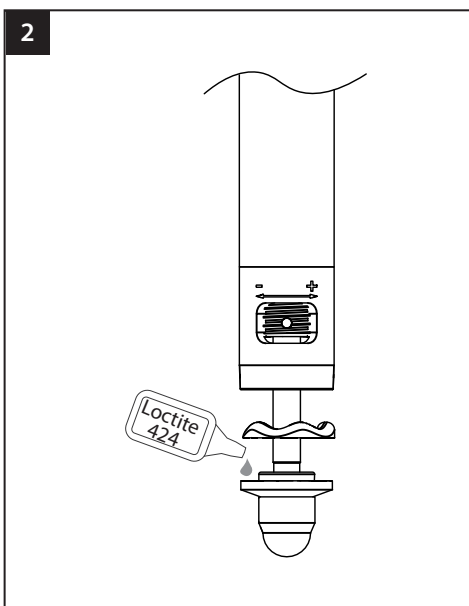


Olge alati teadlik sõrmede muljumise ohust.



Kasutage nuga, et vana ekstensiooni puhver ära lõigata ja eemaldada.

Puhastage ekstensiooni puhvri plaati sobiva lahustiga.



Venitage uus ekstensiooni puhver ekstensiooni puhvri plaadile.

Kasutage liimi Loctite 424, et ekstensiooni puhver ekstensiooni puhvri plaadi külge kleepida.

12 Tõrkeotsing

Sümptom	Lahendus
Põlv teeb liiga palju häält.	Puhastage hõõrdeklots ja piduritrummel. Määrige pöördetelgi. Protseduure vt jaotisest 10 <i>Stabilisaatormehhanismi hooldus</i> .
Põlv ei stabiliseeru.	Kontrollige stabiilsuse seadistust. Vt jaotist 8 <i>Joondumusega seotud nõuanded ja stabiilsuse reguleerimine</i> . Puhastage piduritrumlit. Kontrollige hõõrdeklotse kulumise suhtes ning asendage stabilisaatormehhanism, kui hõõrdeklotsi tagaserv on kahjustunud. Protseduure vt jaotisest 10 <i>Stabilisaatormehhanismi hooldus</i> .
Põlv ei vabane.	Kontrollige stabiilsuse seadistust. Vt jaotist 8 <i>Joondumusega seotud nõuanded ja stabiilsuse reguleerimine</i> .

13 Tehnilised andmed

Kasutamise- ja hoiustamistemperatuur: -15 °C kuni 50 °C

Komponendi mass: 580 g

Soovitav aktiivsusgrupp: 2

Kasutaja max kehakaal: 125 kg

Proksimaalne joondumust kohandada võimaldav kinnitus: Pöörlev pistikpüramiid (Blatchford)

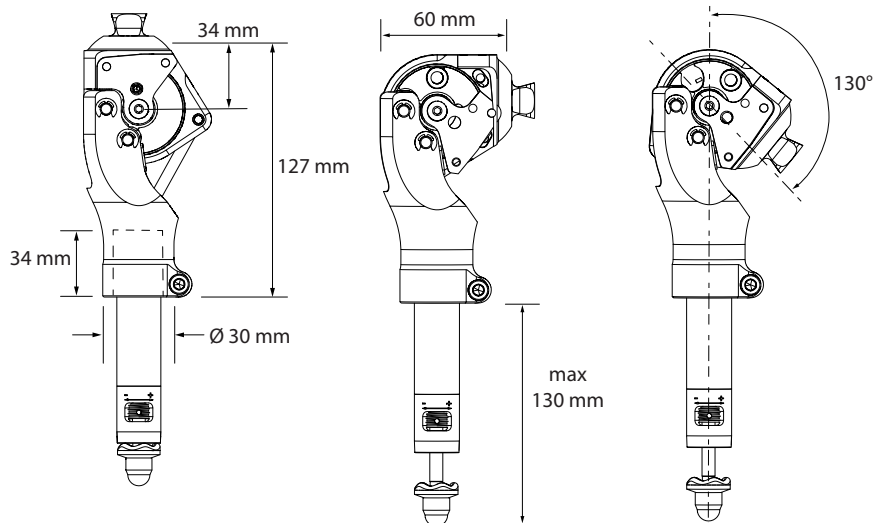
Distaalne kinnitus: 30 mm läbimõõduga toru fiksaator (Blatchford)

Konstruksiooni kõrgus: 127 mm

Proksimaalsest püramiidist distaalse toru otsani (+130 mm)

[Vt *Sobituspikkus* lk 179]

Sobituspikkus





14 Tellimisteave

Näidistellimus

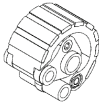


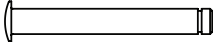

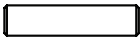
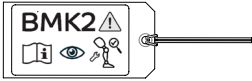

BMK2

14.1 Varuosad


Ekstensiooni piirkute komplekt 239453

Kirjeldus	Kogus	Illustratsioon
Ekstensiooni piirik – BMK2	4	
Sobitamishühised	1	


Stabilisaatormehhanismi komplekt 239553

Kirjeldus	Kogus	Illustratsioon
Kompaktne stabilisaatormehhanism	1	
Vasak tolmukate	1	
Parem tolmukate	1	
Risttihvt	2	
Väline E-fiksaatorrõngas	2	
Joondustihvt	2	
BMK2 reguleerimise hoiatussilt	1	
Sobitamishühised	1	

Ekstensiooni puhver

Kirjeldus	Kogus	Tootekood	Illustratsioon
Ekstensiooni puhver	1	B-0000021	

Kulutarvikud

Kirjeldus	Kogus	Tootekood	Illustratsioon
Õlilisand STP Oil Treatment	Vastavalt vajadusele	928105	
Keermeliim Loctite 222	Vastavalt vajadusele	926001	
Liim Loctite 424	Vastavalt vajadusele	926104	

Vastutus

Tootja soovib kasutada seadet üksnes nimetatud tingimustes ja kasutusotstarbel. Seadet tuleb hooldada kooskõlas seadme komplektis oleva kasutusjuhendiga. Tootja ei vastuta mingisuguste kõrvaltoimete eest, mis on põhjustatud komponentide kombinatsioonist, mida tootja pole heaks kiitnud.

CE-vastavus

Toode on kooskõlas Euroopa meditsiiniseadmete määruse EL 2017/745 nõuetega. Toode on liigitatud I klassi seadmeks vastavalt määruse VIII lisas toodud liigitamisreeglitele. Euroopa Liidu vastavusdeklaratsiooni saate alla laadida järgmiselt aadressilt: www.blatchford.co.uk



Meditsiiniseade



Üks patsient – mitu kasutuskorda

Ühilduvus

Kasutamine koos Blatchfordi toodetega on heaks kiidetud, tuginedes kooskõlas asjaomaste standardite ja meditsiiniseadmete direktiiviga tehtud katsetele (sh konstruktsioonikatse, mõõtmete ühilduvus ja toimivuse jälgimine praktikas).

Kasutamine koos mõne teise CE-märgisega tootega nõuab eelnevat dokumenteeritud kohalikku riskianalüüsi proteesimeistri poolt.

Garantii

Seadmel on 24-kuuline garantii, mis hakkab kehtima ostukuupäevast, kui ei ole teisiti märgitud. Kompaktsel stabilisaatormehhanismil on 12-kuuline garantiiaeg alates ostukuupäevast, kui ei ole teisiti märgitud. Hõõrdeklotis on kuluosa ja selle normaalne kulumine ei kuulu garantii alla. Kasutaja peab olema teadlik sellest, et muudatused või täiendused, milleks pole saadud selgesõnalist luba, võivad garantii, kasutusloa ja vabastused kehtetuks muuta. Kõiki kehtivaid garantiitingimusi (sh kuluosade teavet) vt Blatchfordi veebisaidilt.

Ohujuhtumitest teatamine

Seadmega seotud ohujuhtumitest, mis on äärmiselt ebatõenäolised, tuleks teavitada tootjat ja oma riigi pädevat asutust.

Keskonnaaspektid

Kui võimalik, tuleks komponendid kooskõlas kohalike jäätmekäitlusekirjadega ringlusse võtta.

Pakendi etiketi säilitamine

Teil soovitatakse pakendi etikett alles hoida ning seda säilitada selle seadme tarnimise dokumendina.

Kaubamärgid

Blatchford on ettevõtte Blatchford Products Limited registreeritud kaubamärk.

Tootja registriaadress



Blatchford Products Limited, Lister Road, Basingstoke RG22 4AH, Ühendkuningriik

blatchford.co.uk/distributors

Blatchford Products Ltd.

Unit D Antura
Kingsland Business Park
Basingstoke
RG24 8PZ
UNITED KINGDOM
Tel: +44 (0) 1256 316600
Fax: +44 (0) 1256 316710
Email: customer.service@blatchford.co.uk
www.blatchford.co.uk

Blatchford Inc.

1031 Byers Road
Miamisburg
Ohio 45342
USA
Tel: +1 (0) 800 548 3534
Fax: +1 (0) 800 929 3636
Email: info@blatchfordus.com
www.blatchfordus.com

Blatchford Europe GmbH

Am Prime-Parc 4
65479 Raunheim
GERMANY
Tel: +49 (0) 9221 87808 0
Fax: +49 (0) 9221/87808 60
Email: info@blatchford.de
www.blatchford.de

Email: contact@blatchford.fr
www.blatchford.fr

Endolite India Ltd.

A4 Naraina Industrial Area
Phase - 1
New Delhi
INDIA – 110028
Tel: +91 (011) 45689955
Fax: +91 (011) 25891543
Email: endolite@vsnl.com
www.endoliteindia.com

Ortopro AS

Hardangervegen 72
Seksjon 17
5224 Nesttun
NORWAY
Tel: +47 (0) 55 91 88 60
Email: post@ortopro.no
www.ortopro.no



Blatchford Europe GmbH
Am Prime-Parc 4
65479 Raunheim Germany

