

# Pyramid Adapter Bonded Ø 30 mm (125 kg)

## Instructions for Use

739052 – 220 mm long

739053 – 420 mm long

739054 – 520 mm long

EN	Instructions for Use	2
SL	Navodila za uporabo	11
BG	Инструкции за употреба	20
HR	Upute za uporabu	29
SK	Návod na použitie	38
HU	Használati útmutató	47
EL	Οδηγίες χρήσης	56
LV	Lietošanas pamācība	65
LT	Naudojimo instrukcija	74
ET	Kasutusjuhend	83

# Contents



Contents .....	2
1 Description and Intended Purpose .....	3
2 Safety Information .....	4
3 Construction .....	5
4 Function.....	5
5 Maintenance .....	6
6 Limitations on Use .....	6
7 Fitting Advice.....	7
8 Technical Data .....	8
9 Ordering Information .....	9

---

# 1 Description and Intended Purpose

These Instructions for Use are intended for the practitioner and user unless otherwise stated. The term *device* is used throughout to refer to the female 30 mm diameter Pyramid Adapter Bonded.

Please read and ensure you understand these instructions, in particular all safety information and maintenance instructions.

## Application

This device is to be used exclusively for lower limb prosthetic fittings, intended for a single user.

The device is used to provide angular, rotational and length adjustment.

The device is available in three standard lengths (220/420/520 mm) and may be cut further for customized limb alignment and length adjustment to suit the amputee.

## Features

- Lightweight, strong, aluminum construction
- Choice of three standard lengths

## Activity Level

This device is suitable for Activity Levels 1-4 (weight limits apply, see *Technical Data*). Of course there are exceptions and in our recommendation we want to allow for unique, individual circumstances and any such decision should be made with sound and thorough justification.

### Activity Level 1

Has the ability or potential to use a prosthesis for transfers or ambulation on level surfaces at fixed cadence. Typical of the limited and unlimited household ambulator.

### Activity Level 2

Has the ability or potential for ambulation with the ability to traverse low-level environmental barriers such as curbs, stairs, or uneven surfaces. Typical of the limited community ambulator.

### Activity Level 3

Has the ability or potential for ambulation with variable cadence. Typical of the community ambulator who has the ability to traverse most environmental barriers and may have vocational, therapeutic, or exercise activity that demands prosthetic utilization beyond simple locomotion.

### Activity Level 4

Has the ability or potential for prosthetic ambulation that exceeds basic ambulation skills, exhibiting high impact, stress, or energy levels. Typical of the prosthetic demands of the child, active adult, or athlete.

## Contraindications

There are no known contraindications if used in accordance with these instructions.

## Clinical Benefit

- Provides a built-in connection between the shin tube and other prosthetic componentry.

---

## 2 Safety Information



This warning symbol highlights important safety information which must be followed carefully.



Any changes in the performance or function of the limb e.g. excessive play or unusual noises should be immediately reported to your service provider.



Always use a hand rail when descending stairs and at any other time if available.



The device is not designed for prolonged submersion or shower immersion but is suitable for outdoor use. Ensure any use of the device in water complies with the conditions given in *Limitations on Use*.



The user must not adjust or tamper with the setup of the device.



The user is advised to contact their practitioner if their condition changes.



To reduce the risk of injury due to failure or loosening of the bolt connections, ensure the bolt threads are cleaned thoroughly before each installation.



Always apply the specified torque value to the bolts. Never replace the set screws with alternative screws.

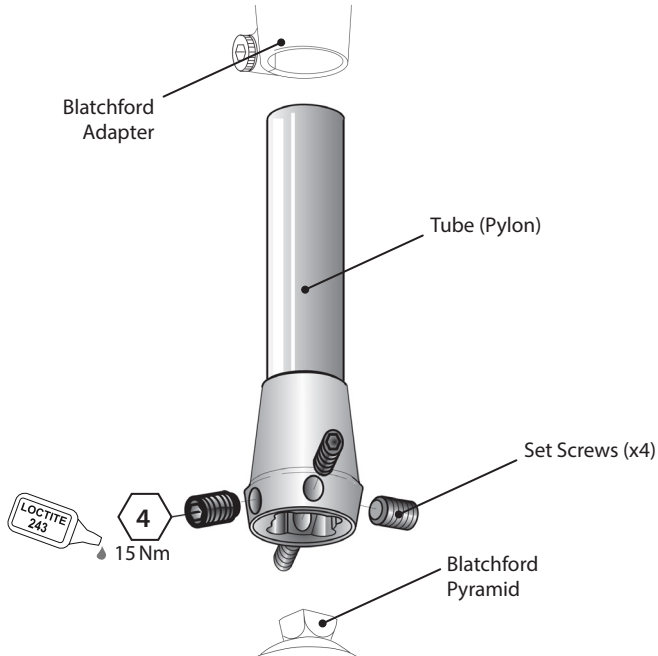
---

## 3 Construction

### Principal Parts

- Tube 30 mm diameter aluminum tube
- Set Screws Zinc plated steel (x4)

### Component Identification



---

## 4 Function

This device provides angular, rotational and length adjustment for customized limb alignment to suit the amputee. When the set screws are torqued and loctited correctly, using Loctite 243, this device offers a secure way to connect the two parts of the limb.

Three standard tube lengths are available and are intended to be cut to length by a suitably trained Prosthetist/technician to suit the requirements of the amputee. This enables a comfortable fit and correct alignment to ensure correct function when using the prosthesis.

---

## 5 Maintenance

Visually check the device regularly.

Report any changes in performance of this device to the practitioner/service provider e.g. unusual noises, increased stiffness, restricted/excessive rotation or significant wear.

Inform the practitioner/service provider of any changes in body weight and/or activity level.

### Cleaning

Use a damp cloth and mild soap to clean outside surfaces. DO NOT use aggressive cleansers.

***The remaining instructions in this section are for practitioner use only.***

This maintenance must be carried out only by competent personnel (practitioner or suitable trained technician).

The following routine maintenance is to be carried out at least annually:

- Check for tube tightness. If loose, remove, clean and re-fit.
- Check the set screws for tightness at tube clamp adapter. If loose, remove and clean, then apply Loctite 243 and tighten to the correct torque setting, see *Construction* section.
- Check for defects that could affect proper function.

Ensure the user has read and understood all safety and user-level maintenance information.

If this device is used for extreme activity, the maintenance level and interval should be reviewed and if required advice and technical support sought to plan a new maintenance schedule dependent upon the frequency and nature of the activity. This should be determined by a local risk assessment carried out by a suitably qualified individual.

---

## 6 Limitations on Use

### Intended Life

A local risk assessment should be carried out based upon activity and usage.

### Lifting Loads

User weight and activity is governed by the stated limits.

Load carrying by the user should be based on a local risk assessment.

### Environment

Avoid exposing the device to corrosive elements such as water, acids and other liquids. Also avoid abrasive environments such as those containing sand for example as these may promote premature wear.

Exclusively for use between -15 °C and 50 °C (5 °F to 122 °F).



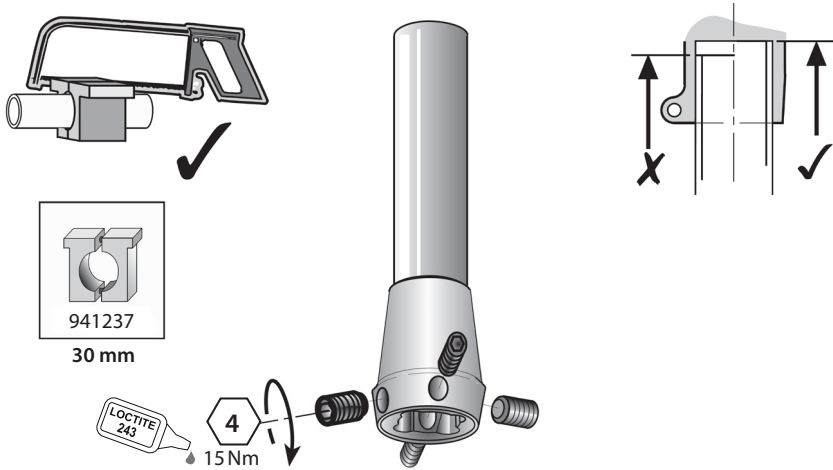
Suitable for outdoor use

## 7 Fitting Advice

*The instructions in this section are for practitioner use only.*

### Cutting to Length

The tube may be cut to the required length (see *Fitting Length* in Section 8). Ensure the device is cut square and the end has sharp edges removed.



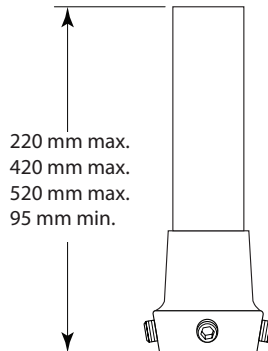
Symptom	Solution
A recurring noise occurs at the tube/adapter interface.	Check that the end of the tube has been cut squarely. Apply Loctite 243 and tighten the set screws to the correct torque setting.
The device moves out of position.	User must not use the device until adjusted, repaired or replaced.

## 8 Technical Data

Operating and Storage Temperature Range:	-15 °C to 50 °C (5 °F to 122 °F)
Component Weight:	
220 mm long	213 g (8 oz)
420 mm long	362 g (13 oz)
520 mm long	420 g (15 oz)
Activity Level:	1–4
Maximum User Weight:	100 kg (275 lb)/1–4 125 kg (220 lb)/1–3
Attachment Type:	Proximal—female pyramid (Blatchford) Distal— $\varnothing$ 30 mm tube
Range of Adjustment:	360° axial rotation $\pm 7^\circ$ tilt from vertical
Length:	220/420/520 mm

### Fitting Length

The device may be cut to the required length. File cut end of tube square to cutting jig and remove sharp edges.



### Storage and Handling

When storing for prolonged periods, ensure the product is free from moisture and stored at room temperature.



## 9 Ordering Information

Device	Part Number
Pyramid Adapter Bonded (Female) - 30 mm diameter, 220 mm long	739052
Pyramid Adapter Bonded (Female) - 30 mm diameter, 420 mm long	739053
Pyramid Adapter Bonded (Female) - 30 mm diameter, 520 mm long	739054

### Liability

The manufacturer recommends using the device only under the specified conditions and for the intended purposes. The device must be maintained according to the instructions for use supplied with the device. The manufacturer is not liable for any adverse outcome caused by any component combinations that were not authorized by them.

### CE Conformity

This product meets the requirements of the European Regulation EU 2017/745 for medical devices. This product has been classified as a class I device according to the classification rules outlined in Annex VIII of the regulation. The EU declaration of conformity certificate is available at the following internet address: [www.blatchford.co.uk](http://www.blatchford.co.uk)



Medical Device



Single Patient – multiple use

### Compatibility

Combination with Blatchford branded products is approved based on testing in accordance with relevant standards and the MDR including structural test, dimensional compatibility and monitored field performance.

Combination with alternative CE marked products must be carried out in view of a documented local risk assessment carried out by a Practitioner.

### Warranty

This device is warranted for 24 months.

The user should be aware that changes or modifications not expressly approved could void the warranty, operating licenses and exemptions.

See the Blatchford website for the current full warranty statement.

### Reporting of Serious Incidents

In the unlikely event of a serious incident occurring in relation to this device it should be reported to the manufacturer and your national competent authority.

### Environmental Aspects

This product is made from a recyclable material. Where possible, the components should be recycled in accordance with local waste handling regulations.

### Retaining the Packaging Label

The practitioner is advised to keep the packaging label as a record of the device supplied.

**Trademark Acknowledgements**

Blatchford is a registered trademark of Blatchford Products Limited.

**Manufacturer's Registered Address**

Blatchford Products Limited, Lister Road, Basingstoke RG22 4AH, UK.

Vsebina.....	11
1 Opis in namen uporabe .....	12
2 Varnostne informacije .....	13
3 Konstrukcija.....	14
4 Funkcija.....	14
5 Vzdrževanje .....	15
6 Omejitve uporabe.....	15
7 Nasvet za namestitev .....	16
8 Tehnični podatki .....	17
9 Podatki za naročanje.....	18

---

# 1 Opis in namen uporabe

Ta navodila za uporabo so predvidena za zdravnika in uporabnika, razen če je navedeno drugače. Izraz *pripomoček* se uporablja za vezan ženski piramidni adapter s premerom 30 mm.

Preberite in poskrbite, da boste razumeli vsa navodila, predvsem vse varnostne informacije in navodila za vzdrževanje.

## Uporaba

Ta pripomoček je treba uporabljati izključno s protezami za spodnje okončine, predviden pa je za enega uporabnika.

Pripomoček se uporablja za nastavitev kota, usmerjenosti in dolžine.

Pripomoček je na voljo v treh standardnih dolžinah (220/420/520 mm) in ga je mogoče še dodatno skrajšati ter po meri prilagoditi okončini ter dolžini, ki ustreza uporabniku.

## Lastnosti

- Lahka, močna aluminijasta konstrukcija
- Izbor treh standardnih dolžin

## Stopnja aktivnosti

Pripomoček je primeren za stopnje aktivnosti 1–4 (upoštevati je treba omejitve teže, glejte *Tehnični podatki*). Seveda pa obstajajo izjeme, zato pri našem priporočilu dopuščamo možnost edinstvenih, posameznih okoliščin, odločitev o tem pa je treba sprejeti na osnovi temeljite presoje.

### Stopnja aktivnosti 1

Ima sposobnost ali potencial uporabljati protezo za transferje oz. premikanje po ravnih površinah z enakomernim korakom. Običajno omejeno in neomejeno pokretna oseba v gospodinjstvu in domačem okolju.

### Stopnja aktivnosti 2

Ima sposobnost ali potencial za premikanje s sposobnostjo premagovanja nizkih ovir, kot so robniki, stopnice ali neravne površine. Običajno je to omejeno pokretna oseba v javnosti.

### Stopnja aktivnosti 3

Ima sposobnost ali potencial za premikanje s spremenljivim korakom. Običajno pokretna oseba, ki lahko premaga večino okoljskih ovir in morda opravlja poklicno, terapevtsko ali fizično aktivnost, ki zahteva uporabo proteze, ki presega zgolj preprosto gibanje.

### Stopnja aktivnosti 4

Ima sposobnost ali potencial za hojo s protezo, ki presega osnovne sposobnosti hoje, in je izpostavljena močnim udarcem, visokim obremenitvam ali visokim ravnem energije. Običajno za zahteve za protezo otroka, aktivne odrasle osebe ali športnika.

## Kontraindikacije

Pri uporabi pripomočka v skladu s temi navodili kontraindikacije niso znane.

## Klinična prednost

- Zagotavlja vgrajeno povezavo med cevjo goleni in drugo protetično komponento.

## 2 Varnostne informacije



Ta opozorilni simbol poudarja pomembne varnostne informacije, ki jih je treba natančno upoštevati.



Morebitne spremembe v delovanju okončine, kot je npr. prekomerna zračnost ali neobičajni zvoki, je treba nemudoma javiti ponudniku storitve.



Pri hoji po stopnicah navzdol in vedno, ko je sicer mogoče, je treba uporabljati držala.



Pripomoček ni zasnovan za dolgotrajno potopitev v vodo ali za prhanje, vendar je primeren za zunanjo uporabo. Preverite, ali so pri uporabi tega pripomočka v vodi upoštevani pogoji, navedeni v *Omejitve uporabe*.



Uporabnik ne sme prilagajati ali spreminjati nastavitve pripomočka.



Uporabniku je treba svetovati, da se naj obrne na svojega zdravnika, če se njegovo stanje spremeni.



Za zmanjšanje tveganja telesnih poškodb zaradi odpovedi ali zrahljanja vijačnih povezav je treba pred vsako namestitvijo temeljito očistiti navoje vijakov.



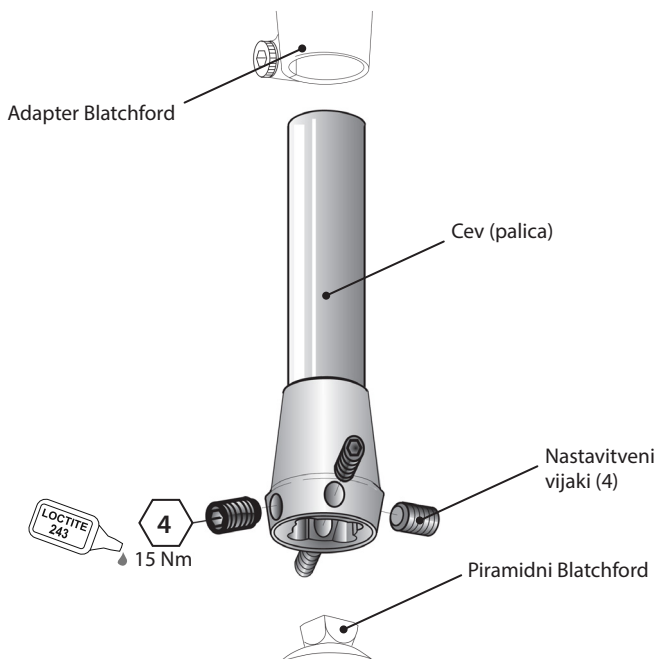
Vijake je treba vedno priviti z navedenim zateznim momentom. Nastavitvenih vijakov ne nadomestite z drugimi.

## 3 Konstrukcija

### Glavni deli

- Cev aluminijasta cev s premerom 30 mm
- Nastavitveni vijaki pocinkano jeklo (4)

### Identifikacija komponente



## 4 Funkcija

Ta pripomoček omogoča prilagajanje kota, zasuka in dolžine, tako da je mogoče okončino po meri prilagoditi potrebam uporabnika. Ko so nastavitveni vijaki pravilno priviti in zavarovani z Loctite 243, pripomoček zagotavlja varen način za povezavo dveh delov okončine.

Na voljo so tri standardne dolžine cevi, ki jih lahko ustrezno usposobljen protetik/zdravstveni tehnik odreže na potrebno dolžino, da ustrezajo zahtevam uporabnika. To omogoča udobno prileganje in pravilno poravnavo, kar zagotavlja pravilno delovanje pri uporabi proteze.

---

## 5 Vzdrževanje

Pripomoček je treba redno vizualno pregledovati.

Morebitne spremembe v delovanju pripomočka, kot so npr. neobičajni zvoki, povečana togost, omejeno/prekomerno vrtenje ali močna obraba, je treba nemudoma javiti zdravniku/ponudniku storitve.

Zdravnika/ponudnika storitve obvestite o morebitnih spremembah v telesni teži in/ali stopnji aktivnosti.

### Čiščenje

Z vlažno krpo in blagim milom očistite zunanje površine. NE uporabljajte agresivnih čistil.

**Preostala navodila v tem poglavju so samo za zdravnika.**

To vzdrževanje lahko izvaja samo usposobljeno osebje (zdravnik ali ustrezno usposobljen zdravstveni tehnik).

Rutinsko vzdrževanje v nadaljevanju je treba opraviti najmanj enkrat letno:

- Preverite čvrstost pritrditve cevi. Če je zrahljana, jo odstranite, očistite in znova namestite.
- Preverite, ali so nastavitveni vijaki na adapterju cevne objemke dobro priviti. Če so zrahljani, jih odstranite in očistite, nanesite Loctite 243 in zategnite z navedenim zateznim momentom; glejte poglavje *Konstrukcija*.
- Preverite, ali so prisotne poškodbe, ki bi lahko vplivale na pravilno delovanje.

Poskrbite, da bo uporabnik prebral in razumel vse varnostne informacije ter informacije o vzdrževanju, ki ga mora opravljati uporabnik.

Če se pripomoček uporablja za ekstremne aktivnosti, je treba preveriti raven in interval vzdrževanja ter se po potrebi posvetovati s tehnično podporo glede novega vzdrževalnega načrta na osnovi pogostosti in narave aktivnosti. To je treba določiti na osnovi lokalne ocene tveganja, ki jo mora opraviti ustrezno usposobljen posameznik.

---

## 6 Omejitve uporabe

### Predvidena uporabna doba

Na osnovi aktivnosti in uporabe je treba opraviti lokalno oceno tveganja.

### Dviganje bremen

Glede na težo in aktivnost uporabnika veljajo navedene omejitve.

Pri prenašanju bremena mora uporabnik upoštevati lokalno oceno tveganja.

### Okolje

Pripomočka ne izpostavljajte korozivnim elementom, kot so voda, kisline in druge tekočine. Prav tako se izogibajte abrazivnim okoljem, ki npr. vsebujejo pesek, ker povzročajo predčasno obrabo.

Izključno za uporabo pri temperaturi med  $-15\text{ }^{\circ}\text{C}$  in  $50\text{ }^{\circ}\text{C}$ .



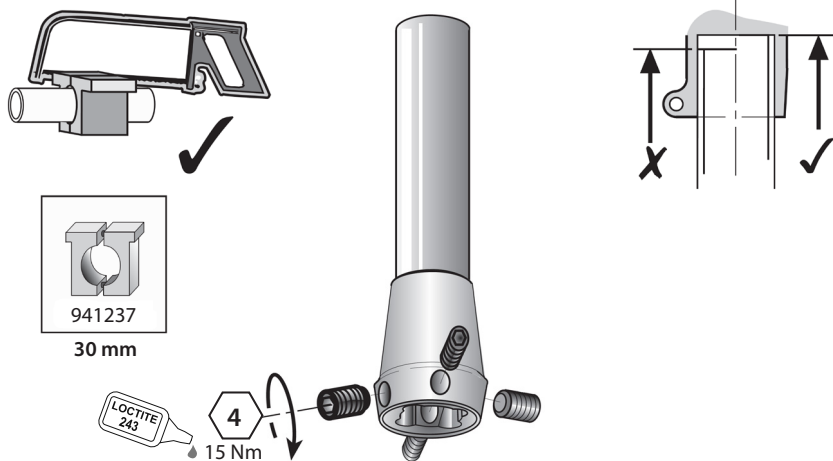
Primerno za uporabo na prostem

## 7 Nasvet za namestitvev

Navodila v tem poglavju so namenjena samo zdravniku.

### Rezanje do ustrezne dolžine

Cev je mogoče odrezati na potrebno dolžino (glejte *Namestitvena dolžina* v poglavju 8). Preverite, ali je pripomoček odrezan navpično in ali so ostri robovi na koncu zglajeni.



Težava	Rešitev
Ponavljajoči se zvok na stičišču cevi/adapterja.	Preverite, ali je konec cevi odrezan navpično. Nanesite Loctite 243 in zategnite nastavitvene vijake s pravilnim zateznim momentom.
Pripomoček se premakne iz položaja.	Uporabnik pripomočka ne sme uporabljati, dokler mu ga ne prilagodijo, popravijo ali zamenjajo.

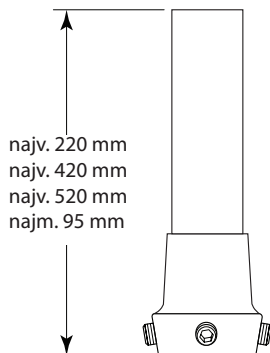


## 8 Tehnični podatki

Temperaturno območje za uporabo in hrambo:	-15 °C do 50 °C
Teža komponente:	
dolžina 220 mm	213 g
dolžina 420 mm	362 g
dolžina 520 mm	420 g
Stopnja aktivnosti:	1–4
Največja teža uporabnika:	100 kg/1–4 125 kg/1–3
Vrsta pritrditve:	Proksimalno – ženski piramidni adapter (Blatchford) Distalno – ø30-mm cev
Območje prilagoditve:	360° aksialni zasuk ±7° nagib iz navpičnega položaja
Dolžina:	220/420/520 mm

### Namestitvena dolžina

Pripomoček je mogoče odrezati na potrebno dolžino. Odrezani konec cevi spilite, da zgladite rob in ostra mesta.



### Shranjevanje in uporaba

Pri daljšem shranjevanju poskrbite, da na pripomočku ni vlage in ga hranite pri sobni temperaturi.

## 9 Podatki za naročanje

Pripomoček	Številka dela
Vezan piramidni adapter (ženski) – premer 30 mm, dolžina 220 mm	739052
Vezan piramidni adapter (ženski) – premer 30 mm, dolžina 420 mm	739053
Vezan piramidni adapter (ženski) – premer 30 mm, dolžina 520 mm	739054

### Odgovornost

Proizvajalec priporoča, da se pripomoček uporablja samo pri specifikiranih pogojih in v predvidene namene. Pripomoček je treba vzdrževati v skladu z navodili, priloženimi pripomočku. Proizvajalec ne prevzema odgovornosti za morebitne neželene posledice, nastale zaradi kakršnih koli kombinacij komponent, ki jih ni odobril.

### Skladnost CE

Ta izdelek je v skladu z zahtevami evropske Uredbe EU 2017/745 o medicinskih pripomočkih. Ta izdelek je klasificiran kot izdelek razreda I v skladu z merili za klasifikacijo, navedenimi v prilogi VIII Uredbe. ES-izjava o skladnosti je na voljo na naslednjem spletnem naslovu: [www.blatchford.co.uk](http://www.blatchford.co.uk)



Medicinski pripomoček



Samo za enega bolnika –  
za večkratno uporabo

### Združljivost

Kombiniranje z izdelki znamke Blatchford je odobreno na osnovi preizkusov v skladu z ustreznimi standardi in uredbo o medicinskih pripomočkih, vključno s strukturnim testom, dimenzijsko združljivostjo in nadzorovano učinkovitostjo med uporabo.

Pri kombinacijah z alternativnimi izdelki z oznako CE je treba upoštevati dokumentirano lokalno oceno tveganja, ki jo opravi zdravnik.

### Garancija

Ta pripomoček ima 24-mesečno garancijo.

Uporabnik se mora zavedati, da zaradi sprememb ali prilagoditev, ki niso izrecno odobrene, garancija, uporabne licence in izjeme morda ne bodo veljavne.

Za trenutno celotno garancijsko izjavo obiščite spletno stran podjetja Blatchford.

### Prijava resnih nesreč

V malo verjetnem primeru resnih nesreč, nastalih v povezavi s tem pripomočkom, je treba o dogodku obvestiti proizvajalca in pristojne oblasti v vaši državi.

### Okoljski vidiki

Pripomoček je izdelan iz materialov, ki jih je mogoče reciklirati. Kjer je mogoče, je treba komponente reciklirati v skladu z veljavnimi lokalnimi predpisi za obravnavo odpadkov.

### Nalepka na embalaži

Zdravniku svetujemo, da nalepko na embalaži nameščenega pripomočka shrani za morebitno uporabo v prihodnje.

### **Izjave o blagovnih znamkah**

Blatchford je registrirana blagovna znamka podjetja Blatchford Products Limited.

### **Uradni naslov proizvajalca**

Blatchford Products Limited, Lister Road, Basingstoke RG22 4AH, Združeno kraljestvo.

Съдържание.....	20
1 Описание и предназначение .....	21
2 Информация относно безопасността.....	22
3 Устройство.....	23
4 Функция.....	23
5 Поддръжка .....	24
6 Ограничения в употребата .....	24
7 Съвети относно монтажа .....	25
8 Технически данни.....	26
9 Информация за поръчка.....	27

# 1 Описание и предназначение

Настоящите инструкции за употреба са предназначени само за лекаря/протезиста и потребителя, освен ако не е посочено друго.

Терминът „изделие“ навсякъде в текста се отнася за Свързан пирамидален обхващащ адаптер 30 мм.

Моля, прочетете и се уверете, че разбирате тези инструкции и по-специално цялата информация относно безопасността и инструкциите за поддръжка.

## Приложение

Това изделие е предназначено за използване изключително за приспособления за протези за долни крайници, предназначени за един потребител.

Изделието се използва, за да даде възможност за регулиране на ъгъла, ротацията и дължината.

Изделието се предлага в три стандартни дължини (220/420/520 мм) и може да бъде изрязано допълнително за индивидуално центроване на крайника и регулиране на дължината според нуждите на пациента с ампутирани крайници.

## Характеристики

- Лека и здрава алуминиева конструкция
- Избор между три стандартни дължини

## Ниво на мобилност

Изделието е подходящо за ниво на мобилност от 1 до 4 (при спазване на ограниченията за теглото, вж. *Технически данни*). Разбира се, има изключения и нашата препоръка е да се вземат предвид специфичните и индивидуални характеристики, като всяко такова решение трябва да бъде взето въз основа на разумна и изчерпателна обосновка.

### Ниво на мобилност 1

Потребителят е в състояние или има потенциал да използва протезата за придвижване или ходене по равни повърхности при равномерен ритъм на крачката. Характерно за пациентите с ограничена и неограничена способност за движение, предимно на закрито.

### Ниво на мобилност 2

Потребителят е в състояние или има потенциал да преодолява малки препятствия на околната среда, като бордюри, стъпала или неравни повърхности. Характерно за пациентите с ограничена способност за движение, които се придвижват на открито.

### Ниво на мобилност 3

Потребителят е в състояние или има потенциал да се придвижва с различен ритъм на крачката. Характерно за пациенти, които се придвижват на открито без ограничения, които са способни да преодоляват повечето препятствия в околната среда и може да имат потребност от професионална, терапевтична или тренировъчна активност, която налага използване на протезата извън рамките на обикновеното придвижване.

### Ниво на мобилност 4

Потребителят е в състояние или има потенциал да се придвижва с протезата извън рамките на базовите умения за придвижване, което е свързано с повишено натоварване, напрежение или ниво на енергия. Характерно за изискванията към протезите за деца, активни възрастни или спортисти.

## Противопоказания

Няма известни противопоказания, ако се използва в съответствие с настоящите инструкции.

## Клинични ползи

- Осигурява вградено свързване между тръбата на пищяла и останалите елементи на протезата.

## 2 Информация относно безопасността



Този предупредителен символ обозначава важна информация относно безопасността, на която трябва да се обърне внимание.



Всякакви промени в движението или функционирането на крайника, например прекалено голям луфт или необичайни шумове, трябва да се докладват незабавно на лекаря/ протезиста.



Винаги използвайте парапет при слизване по стълби, както и при всеки друг случай, ако е възможно.



Изделието не е предназначено за продължително потопяване под вода или използване под душ, но е подходящо за употреба на открито. Уверете се, че всяко използване на изделието във вода съответства на условията, посочени в *Ограничения в употребата*.



Потребителят не трябва да регулира или да променя настройката на изделието.



Препоръчва се потребителят да се свърже със своя лекар, ако състоянието му се промени.



За да се намали рискът от нараняване поради неизправност или разхлабване на болтовите съединения, резбата на болта трябва да се почиства добре преди всяко монтиране.



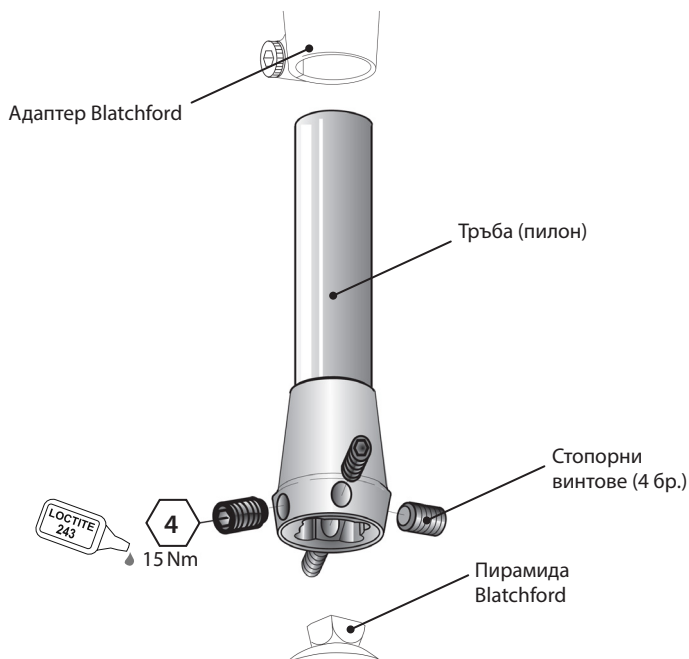
Винаги използвайте посочената стойност на силата на затягане за болтовете. Никога не сменяйте стопорните винтове с други винтове.

## 3 Устройство

### Основни части

- Тръба Алуминиева тръба с диаметър 30 мм
- Стопорни винтове Поцинкована стомана (4 бр.)

### Обозначение на елементите



## 4 Функция

Изделието дава възможност за регулиране на ъгъла, ротацията и дължината за индивидуално центроване на крайника според нуждите на пациента с ампутирен крайник. При правилно затягане и нанасяне на Loctite на стопорните винтове с използване на Loctite 243 изделието предлага сигурен начин за свързване на двете части на крайника.

Предлагат се три стандартни дължини на тръбата, като тръбата е предназначена за изрязване до подходящата дължина от протезист/техник с подходяща квалификация според нуждите на пациента с ампутирен крайник. Това дава възможност за комфортно напасване и коректно центроване, което осигурява правилно функциониране при използване на протезата.

## 5 Поддръжка

Проверявайте редовно изделието визуално.

Докладвайте всякакви промени във функционирането на изделието на лекаря/протезиста, като например необичайни шумове, затруднено движение, ограничена/прекомерна ротация или значително износване.

Информирайте лекаря/протезиста за всякакви промени в телесното тегло и/или нивото на мобилност.

### Почистване

Използвайте навлажнена кърпа и мек сапун за почистване на външните повърхности.

НЕ използвайте агресивни почистващи препарати.

**Останалите инструкции в този раздел са предназначени само за лекаря/протезиста.**

Поддръжката трябва да се извършва само от компетентен персонал (медицинско лице или техник с подходяща квалификация).

Най-малко веднъж годишно трябва да се извършва следната рутинна поддръжка:

- Проверете затегнатостта на тръбата. Ако е разхлабена, отстранете, почистете и поставете отново.
- Проверете затегнатостта на стопорните винтове при адаптера за завинтване на тръбата. Ако са разхлабени, извадете ги и ги почистете, след това поставете Loctite 243 и ги затегнете до правилната настройка на сила на затягане, вж. раздел *Устройство*.
- Проверете за дефекти, които биха могли да повлияят на правилното функциониране.

Уверете се, че потребителят е прочел и разбрал цялата информация, свързана с безопасността и поддръжката, за която потребителят отговаря.

Ако изделието се използва за високо натоварване, степента на поддръжка и интервалът за поддръжка трябва да бъдат преразгледани и, ако е необходимо, да се потърси консултация и техническо съдействие за планиране на нов график на поддръжка, в зависимост от честотата и естеството на натоварването. Това трябва да се определи чрез индивидуална оценка на риска, извършена от лице с подходяща квалификация.

## 6 Ограничения в употребата

### Срок на експлоатация

Необходимо е извършване на индивидуална оценка на риска въз основа на мобилността и употребата.

### Повдигане на тежести

Ограниченията зависят от теглото на потребителя и неговото ниво на мобилност.

Носенето на тежести от потребителя трябва да бъде според индивидуалната оценка на риска.

### Околна среда

Избягвайте излагане на изделието на корозивни елементи, като вода, киселини и други течности. Освен това избягвайте абразивна среда, например среда, съдържаща пясък, тъй като това може да доведе до преждевременно износване.

Изделието може да се използва само при температура между -15 °C и 50 °C.



Подходящо за употреба на открито

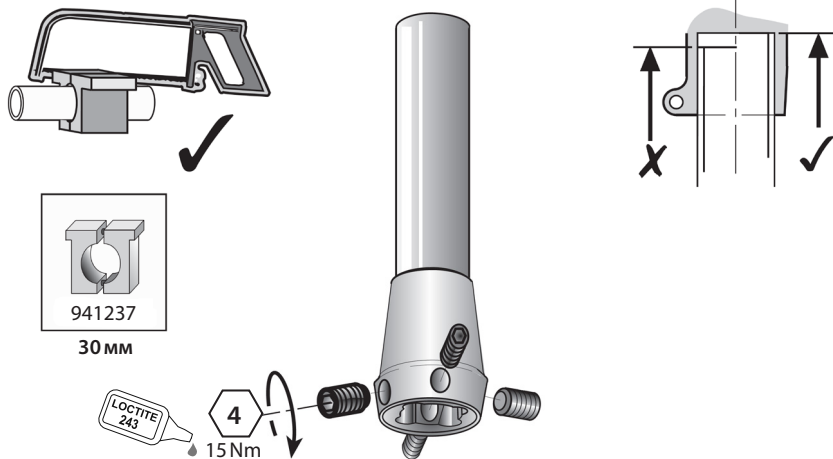


## 7 Съвети относно монтажа

*Инструкциите в този раздел са предназначени само за медицинско лице/ протезист.*

### Изрязване до подходяща дължина

Тръбата може да бъде изрязана до необходимата дължина (вж. *Монтажна дължина* в Раздел 8). Уверете се, че изделието е равно изрязано и че острият ръбове по края са премахнати.



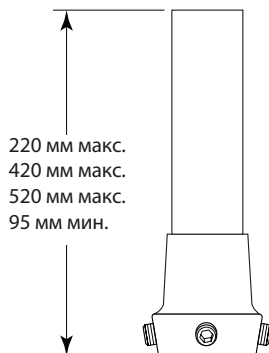
Признак	Решение
На мястото на свързване на тръбата и адаптера се появява повтарящ се шум.	Проверете дали края на тръбата е равно изрязан. Нанесете Loctite 243 и затегнете стопорните винтове до правилната настройка на силата на затягане.
Изделието се измества от правилната позиция.	Потребителят не трябва да използва изделието, докато не бъде регулирано, ремонтирано или заменено.

## 8 Технически данни

Температурен диапазон на експлоатация и съхранение:	-15 °С до 50 °С
Тегло на елемента:	
220 мм дължина	213 г
420 мм дължина	362 г
520 мм дължина	420 г
Ниво на мобилност:	1–4
Максимално тегло на потребителя:	100 кг/1–4 125 кг/1–3
Тип закрепване:	Проксимално – обхващаща пирамида (Blatchford) Дистално – $\varnothing$ 30 мм тръба
Диапазон на регулиране:	360° осово завъртане $\pm 7^\circ$ наклон от вертикала
Дължина:	220/420/520 мм

### Монтажна дължина

Изделието може да бъде отрязано до необходимата дължина. Изпилете отрязания край на тръбата, така че да се подравни със стягата-шаблон за изрязване и отстранете острите ръбове.



### Съхранение и използване

При съхраняване за продължителни периоди се уверете, че по продукта няма влага и се съхранява на стайна температура.

## 9 Информация за поръчка

Изделие	Каталожен номер
Свързан пирамидален адаптер (обхващащ) - диаметър 30 мм, дължина 220 мм	739052
Свързан пирамидален адаптер (обхващащ) - диаметър 30 мм, дължина 420 мм	739053
Свързан пирамидален адаптер (обхващащ) - диаметър 30 мм, дължина 520 мм	739054

### Отговорност

Производителят препоръчва изделието да се използва само при посочените условия и по предназначение. Изделието трябва да се поддържа в съответствие с инструкциите за употреба, предоставени с него. Производителят не носи отговорност за неблагоприятни събития, причинени от комбинации от елементи, които не са одобрени от него.

### Маркировка за съответствие СЕ

Този продукт отговаря на изискванията на Регламент (ЕС) 2017/745 за медицинските изделия. Този продукт е класифициран като продукт от клас I според правилата за класификация, описани в Приложение VIII на регламента. ЕС декларацията за съответствие е достъпна на следния интернет адрес: [www.blatchford.co.uk](http://www.blatchford.co.uk)



Медицинско изделие



Предназначено за многократна употреба от един пациент

### Съвместимост

Комбинирането с продукти на Blatchford е одобрено въз основа на изпитвания в съответствие с приложимите стандарти и Регламент (ЕС) 2017/745 за медицинските изделия, включително изпитване на конструкцията, съвместимост относно размерите и проследяване на функционалността в реални условия.

Комбинирането с други продукти с маркировка СЕ трябва да се извършва с оглед на документираната индивидуална оценка на риска, извършена от специалист.

### Гаранция

Гаранцията на това изделие е 24 месеца.

Потребителят трябва да е наясно, че промени или модификации, които не са изрично одобрени, биха могли да доведат до анулиране на гаранцията, лицензите за работа и изключенията.

Вижте уебсайта на Blatchford за актуалната пълна декларация за гаранция.

### Докладване на сериозни инциденти

В малко вероятния случай на сериозен инцидент, свързан с настоящото изделие, инцидентът трябва да се докладва на производителя и на компетентния национален орган.

### Екологични аспекти

Този продукт е изработен от материал, подлежащ на рециклиране. Когато е възможно, елементите му трябва да се рециклират в съответствие с местните разпоредби за управление на отпадъците.

### Запазване на етикета на опаковката

Препоръчва се медицинското лице/протезистът да запази етикета на опаковката като документ за доставеното изделие.

**Потвърждение за търговска марка**

Blatchford е регистрирана търговска марка на Blatchford Products Limited.

**Адрес на управление на производителя**

Blatchford Products Limited, Lister Road, Basingstoke RG22 4AH, Обединено кралство.

Sadržaj.....	29
1 Opis i predviđena namjena .....	30
2 Informacije o sigurnosti .....	31
3 Izvedba.....	32
4 Funkcija.....	32
5 Održavanje.....	33
6 Ograničenja uporabe.....	33
7 Savjeti za prilagođavanje .....	34
8 Tehnički podaci .....	35
9 Informacije za naručivanje.....	36

# 1 Opis i predviđena namjena

Ove upute za uporabu namijenjene su zdravstvenim djelatnicima i korisnicima osim ako nije drukčije navedeno.

Izraz *proizvod* odnosi se na spojeni piramidni prilagodnik, ženski, promjera 30 mm.

Molimo s razumijevanjem pročitajte ove upute, posebno sve informacije o sigurnosti i upute o održavanju.

## Primjena

Ovaj se proizvod smije upotrebljavati isključivo za opskrbu protezom donjeg ekstremiteta, namijenjen je za jednog korisnika.

Proizvod omogućava prilagodbu nagiba, rotacije i duljine.

Proizvod je dostupan u tri standardne duljine (220/420/520 mm) i može se rezati kako bi se omogućilo korisniku prilagođeno poravnavanje ekstremiteta i prilagodba duljine.

## Značajke

- Lagana, čvrsta, aluminijska konstrukcija
- Izbor između tri standardne duljine

## Stupanj aktivnosti

Ovaj proizvod prikladan je za stupnjeve aktivnosti 1-4 (uz ograničenja težine, pogledajte *Tehnički podaci*). Naravno, postoje iznimke, i u svojim preporukama trudimo se uzeti u obzir jedinstvene, individualne okolnosti te svako donošenje odluka mora biti razumno i detaljno obrazloženo.

### Stupanj aktivnosti 1

Može upotrebljavati ili postoji potencijal upotrebljavanja proteze za transfer ili kretanje na ravnim površinama ujednačenim tempom. Karakteristično za osobu ograničene i neograničene sposobnosti hoda u stambenom prostoru.

### Stupanj aktivnosti 2

Može hodati ili postoji potencijal za hod uz sposobnost prelaženja manjih prepreka u okruženju, poput rubnika, stuba ili neravnih površina. Karakteristično za ograničene sposobnosti hoda u vanjskom okruženju.

### Stupanj aktivnosti 3

Može hodati ili postoji potencijal za hod promjenjivim tempom. Karakteristično za osobu sa sposobnošću hoda u vanjskom okruženju koja može prelaziti većinu prepreka u okruženju i bavi se radnim, terapijskim ili rekreacijskim aktivnostima koje zahtijevaju složeniju uporabu proteze koja nadilazi jednostavne oblike kretanja.

### Stupanj aktivnosti 4

Može hodati ili postoji potencijal za hod s protezom koji nadilazi osnovne sposobnosti kretanja, a pokazuje značajnu razinu upora, izdržljivosti i energije. Karakteristično za protetičke potrebe djece, aktivnih odraslih osoba ili sportaša.

## Kontraindikacije

Nisu poznate kontraindikacije ako se upotrebljava u skladu s ovim uputama.

## Klinička korist

- Ugrađeni spoj stupne cijevi i ostalih protetičkih dijelova.

## 2 Informacije o sigurnosti



Ova oznaka upozorenja naglašava važne informacije o sigurnosti kojih se potrebno pažljivo pridržavati.



Bilo kakve promjene u funkcionalnosti ili radu ekstremiteta, npr. prevelika zračnost ili neobični zvukovi, moraju se odmah prijaviti pružatelju usluge.



Uvijek upotrebljavajte rukohvat prilikom silaženja niza stube i u svim ostalim prilikama ako je dostupno.



Proizvod nije namijenjen produljenom potapanju ili uranjanju prilikom tuširanja, ali je prikladan za uporabu na otvorenom. Osigurajte da je uporaba proizvoda u vodi u skladu s uvjetima navedenim u odjeljku *Ograničenja uporabe*.



Korisnik ne smije prilagođavati ili preinačavati proizvod.



Korisnika se upućuje da o svakoj promjeni svog stanja obavijesti zdravstvenog djelatnika.



Kako biste smanjili rizik od ozljede zbog zakazivanja ili olabavljenja vijčanog spoja, osigurajte da se vijčani navoji dobro očiste prije svakog postavljanja.



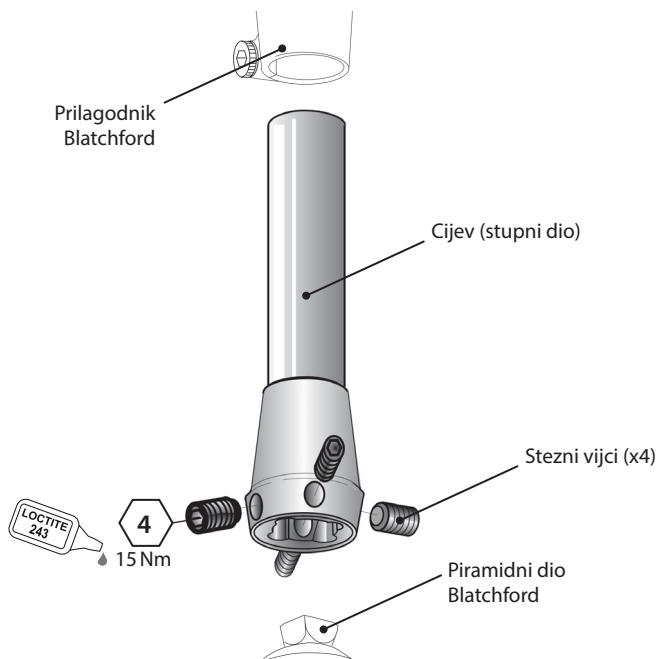
Uvijek primijenite navedenu vrijednost okretnog momenta na vijke. Nikad ne zamjenjujte stezne vijke drugim vrstama vijaka.

## 3 Izvedba

### Glavni dijelovi

- Cijev Alumijska cijev promjera 30 mm
- Stezni vijci Pocičani čelik (x4)

### Prikaz komponenti



## 4 Funkcija

Ovaj proizvod omogućava korisniku prilagođeno poravnavanje ekstremiteta i prilagodbu nagiba, rotacije i duljine. Kad su stezni vijci sigurno zategnuti na okretni moment i zalijepljeni, pomoću ljepila Loctite 243, ovaj proizvod omogućava siguran način spajanja dvaju dijelova ekstremiteta.

Dostupne su tri standardne duljine cijevi, a rezati ih na željenu duljinu prema potrebama korisnika smije samo odgovarajuće osposobljeni protetičar/tehničar. Time se omogućuje udobno postavljanje i ispravno poravnavanje kako bi se osigurao ispravan rad prilikom uporabe proteze.



## 5 Održavanje

Redovito vizualno pregledavajte proizvod.

Bilo kakve promjene u funkcionalnosti ovog proizvoda prijavite zdravstvenom djelatniku/pružatelju usluge, npr. neobične zvukove, povećanu ukočenost, ograničenu/preteranu rotaciju ili značajnu dotrajalost.

Obavijestite zdravstvenog djelatnika/pružatelja usluge o svim promjenama u tjelesnoj težini i/ili stupnju aktivnosti.

### Čišćenje

Vanjske površine čistite vlažnom krpom i blagim sapunom. NE UPOTREBLJAVAJTE agresivna sredstva za čišćenje.

**Ostale upute u ovom odjeljku namijenjene su samo zdravstvenom djelatniku.**

Ovo održavanje smije izvoditi samo kvalificirano osoblje (zdravstveni djelatnik ili odgovarajuće osposobljeni tehničar).

Sljedeće rutinsko održavanje potrebno je izvoditi najmanje jedanput godišnje:

- Provjerite zategnutost cijevi. Ako je olabavljena, skinite ju, očistite i ponovno namjestite.
- Provjerite zategnutost steznih vijaka kod prilagodnika cijevne stezaljke. Ako su olabavljeni, odvijte ih i očistite, zatim nanesite Loctite 243 i zategnite na ispravnu postavku okretnog momenta, pogledajte odjeljak/zvedba.
- Provjerite nedostatke koji bi mogli utjecati na pravilno funkcioniranje.

Osigurajte da je korisnik pročitao i shvatio sve informacije o sigurnosti i održavanju na korisničkoj razini.

Ako se proizvod upotrebljava za ekstremnu aktivnost, opseg i raspored održavanja potrebno je analizirati i, po potrebi, zatražiti savjet i tehničku podršku radi planiranja novog rasporeda održavanja ovisno o učestalosti i prirodi aktivnosti. To je potrebno odrediti procjenom rizika na licu mjesta od strane odgovarajuće kvalificirane osobe.

## 6 Ograničenja uporabe

### Predviđen rok trajanja

Lokalnu procjenu rizika potrebno je izvršiti na temelju aktivnosti i uporabe.

### Podizanje tereta

Tjelesna težina korisnika i aktivnosti podliježu navedenim ograničenjima.

Teret koji korisnik smije nositi mora se odrediti lokalnom procjenom rizika.

### Okruženje

Izbjegavajte proizvod izlagati korozivnim elementima poput vode, kiselina i drugih tekućina. Također izbjegavajte abrazivna okruženja s npr. pijeskom jer to može pridonijeti prijevremenom trošenju.

Isključivo za uporabu na temperaturi od -15 °C do 50 °C



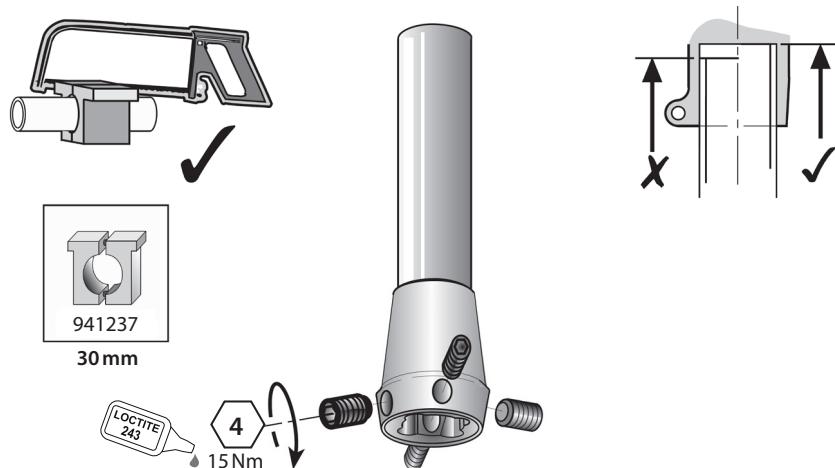
Prikladno za uporabu  
na otvorenom

## 7 Savjeti za prilagođavanje

Upute u ovom odjeljku namijenjene su samo zdravstvenom djelatniku.

### Rezanje na duljinu

Cijev se može rezati na željenu duljinu (pogledajte dio *Duljina prilagođavanja* u odjeljku 8.). Osigurajte da je proizvod odrezan pravokutno i da su uklonjeni oštri rubovi.



Simptom	Rješenje
Javlja se ponavljajući zvuk kod sučelja cijevi/prilagodnika.	Provjerite da je kraj cijevi odrezan pravokutno. Nanesite Loctite 243 i zategnite stezne vijke na ispravnu postavku okretnog momenta.
Proizvod se pomaknuo s mjesta.	Korisnik ne smije upotrebljavati proizvod do prilagođavanja, popravka ili zamjene.

## 8 Tehnički podaci

Radni i temperaturni raspon  
skladištenja: -15 °C do 50 °C

Težina komponente:  
Duljina 220 mm 213 g  
Duljina 420 mm 362 g  
Duljina 520 mm 420 g

Stupanj aktivnosti: 1–4

Maksimalna tjelesna težina  
korisnika: 100 kg /1–4  
125 kg /1–3

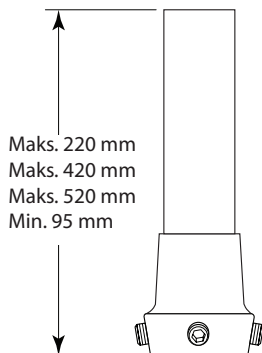
Tip priključka: Proksimalni—ženski piramidni dio (Blatchford)  
Distalni— $\varnothing$ cijev 30 mm

Raspon prilagodbe: Oso zakretanje od 360°  
Nagib na ravninu  $\pm 7^\circ$

Duljina: 220/420/520 mm

### Duljina prilagođavanja

Proizvod se može rezati na željenu duljinu. Izbrusite kraj cijevi pravokutno prema reznom uzorku i uklonite oštre rubove.



### Pohrana i rukovanje

Kada pohranjujete na dulja razdoblja, osigurajte da proizvod ne bude izložen vlazi i da je pohranjen na sobnoj temperaturi.

## 9 Informacije za naručivanje

Proizvod	Broj dijela
Spojeni piramidni prilagodnik (ženski) - promjera 30 mm, duljine 220 mm	739052
Spojeni piramidni prilagodnik (ženski) - promjera 30 mm, duljine 420 mm	739053
Spojeni piramidni prilagodnik (ženski) - promjera 30 mm, duljine 520 mm	739054

### Odgovornost

Proizvođač preporučuje uporabu proizvoda u skladu s navedenim uvjetima i za predviđene namjene. Proizvod mora biti održavan u skladu s uputama za uporabu isporučeni uz proizvod. Proizvođač nije odgovoran ni za kakve neželjene ishode uzrokovane kombiniranjem komponenti koje nije odobrio.

### CE sukladnost

Ovaj proizvod ispunjava zahtjeve Uredbe (EU) 2017/745 o medicinskim proizvodima. Ovaj proizvod razvrstan je kao proizvod klase rizika I prema kriterijima razvrstavanja navedenima u Dodatku VIII. Uredbe. Certifikat EU Izjava o sukladnosti dostupan je na sljedećoj internetskoj stranici: [www.blatchford.co.uk](http://www.blatchford.co.uk)



Medicinski proizvod



Jedan korisnik - višestruka uporaba

### Kompatibilnost

Kombiniranje s proizvodima marke Blatchford odobrava se na temelju ispitivanja u skladu s primjenjivim normama i Uredbom o medicinskim proizvodima (MDR) uključujući ispitivanje strukture, usklađenost dimenzija i nadziranu radnu učinkovitost.

Kombiniranje s alternativnim proizvodima s oznakom CE mora se provesti uz dokumentiranu lokalnu procjenu rizika od strane zdravstvenog djelatnika.

### Jamstvo

Na ovaj proizvod daje se jamstvo od 24 mjeseca.

Korisnik mora biti svjestan da promjene ili preinake koje nisu izričito dopuštene mogu poništiti jamstvo, odobrenja za rad i izuzeća.

Pogledajte internetsku stranicu tvrtke Blatchford za uvid u cjelovitu važeću izjavu o jamstvu.

### Prijavlivanje ozbiljnih neželjenih događaja

U malo vjerojatnom slučaju pojave ozbiljnog neželjenog događaja vezanog uz ovaj proizvod, potrebno je isti prijaviti proizvođaču i nadležnom državnom tijelu.

### Ekološki aspekti

Ovaj proizvod proizveden je od materijala koji se mogu reciklirati. Gdje je izvedivo, komponente je potrebno reciklirati u skladu s lokalnim propisima o zbrinjavanju otpada.

### Čuvanje oznake pakiranja

Zdravstveni djelatnik treba sačuvati oznaku pakiranja kao evidenciju isporučenog proizvoda.

### **Izjave o žigu**

Blatchford je registrirani žig tvrtke Blatchford Products Limited.

### **Adresa sjedišta proizvođača**

Blatchford Products Limited, Lister Road, Basingstoke RG22 4AH, UK.

Obsah .....	38
1 Opis a zamýšľaný účel .....	39
2 Informácie o bezpečnosti.....	40
3 Konštrukcia.....	41
4 Funkcia.....	41
5 Údržba.....	42
6 Obmedzenie používania .....	42
7 Odporúčania pri osádzaní.....	43
8 Technické údaje.....	44
9 Informácie pri objednávaní.....	45

# 1 Opis a zamýšľaný účel

Návod na použitie je určený odborníkovi a používateľovi, ak nie je uvedené inak.

Tu používaný termín *pomôcka* označuje samičiu spájanú pyramídovú redukciu s priemerom 30 mm.

Pozorne si prečítajte tento návod, predovšetkým všetky informácie o bezpečnosti a návod na údržbu.

## Použitie

Pomôcka sa smie používať výhradne pri osádzaní protézy dolnej končatiny určenej jednému používateľovi.

Pomôcka umožňuje nastavenie uhla, rotácie a dĺžky.

Je dostupná v troch štandardných dĺžkach (220/420/520 mm) a dá sa ďalej orezávať, čím vznikne zarovnanie končatiny a úprava dĺžky na mieru podľa potreby osoby po amputácii.

## Vlastnosti

- Ľahká, pevná hliníková konštrukcia
- Na výber sú tri štandardné dĺžky

## Úroveň aktivity

Pomôcka je vhodná pre úrovne aktivity 1 – 4 (platia hmotnostné obmedzenia, pozri *Technické údaje*). Samozrejme, existujú výnimky, a pri odporúčaní chceme zohľadniť individuálne okolnosti. Rozhodovať sa treba na základe rozumného a dôkladného odôvodnenia.

### Úroveň aktivity 1

Má schopnosť alebo potenciál používať protézu na presun alebo chôdzu na rovnom povrchu pri fixnej kadencii. Typická pre chodca v domácnosti s obmedzením alebo bez obmedzenia.

### Úroveň aktivity 2

Má schopnosť alebo potenciál chôdze so schopnosťou prechádzať cez nízke prekážky v okolitom prostredí, ako sú obrubníky, schody alebo nerovný povrch. Typická pre komunitného chodca s obmedzením.

### Úroveň aktivity 3

Má schopnosť a potenciál chôdze s rozličnou kadenciou. Typická pre komunitného chodca so schopnosťou prechádzať cez väčšinu prekážok v okolitom prostredí, ktorý môže vykonávať pracovnú, terapeutickú alebo cvičebnú aktivitu vyžadujúci si používanie protézy mimo jednoduchého pohybu.

### Úroveň aktivity 4

Má schopnosť alebo potenciál protetickej chôdze, ktorá prekračuje základné ambulantné zručnosti, má veľkú mieru dopadu, tlaku alebo energie. Typická pre protetické nároky detí, aktívnych dospelých alebo atlétov.

## Kontraindikácie

Ak sa používa v súlade s návodom, neexistujú známe kontraindikácie.

## Klinické výhody

- Predstavuje zabudovaný spoj medzi píšťalovou rúrkou a ďalšími protetickými prvkami.

## 2 Informácie o bezpečnosti



Tento výstražný symbol poukazuje na dôležité bezpečnostné informácie, ktoré treba dôsledne dodržiavať.



Všetky zmeny vo vlastnostiach alebo fungovaní končatiny, napr. nadmerná voľnosť alebo nezvyčajné zvuky, treba ihneď nahlásiť servisnému pracovníkovi.



Pri kráčaní dolu schodmi a vždy, keď je k dispozícii, sa držte zábradlia.



Pomôcka nie je určená na dlhodobé ponáranie ani sprchovanie, no je vhodná na použitie v exteriéri. Dbajte na to, aby bolo použitie pomôcky vo vode v súlade s podmienkami uvedenými v časti *Obmedzenie používania*.



Používateľ nesmie nastavovať ani neodborne upravovať nastavenie pomôcky.



Používateľa upozornili, že v prípade zmeny zdravotného stavu sa má obrátiť odborníka.



V rámci predchádzania riziku poranenia v dôsledku zlyhania alebo uvoľnenia skrutkových spojov dbajte na to, aby sa pred každou montážou dôkladne vyčistili závity.



Skrutky vždy uťahujte na špecifikovaný krútiaci moment. Priložené nastavovacie skrutky nikdy nevymieňajte za iné.

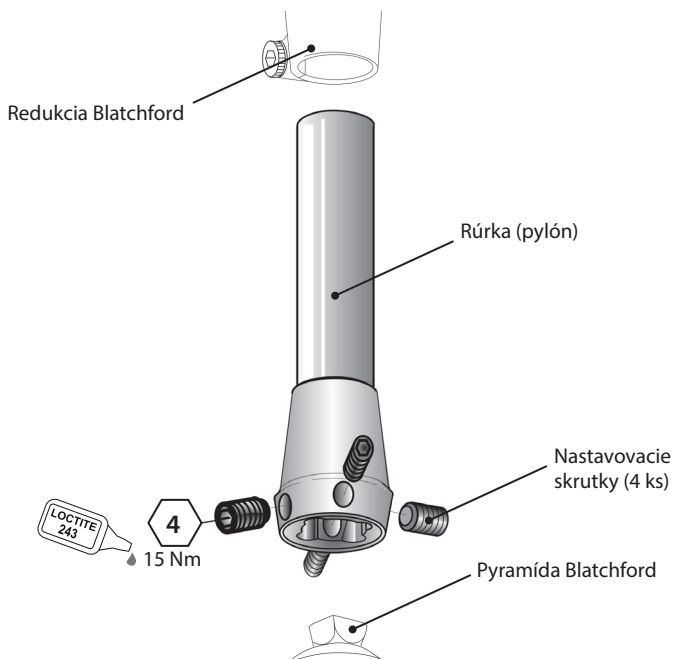


## 3 Konštrukcia

### Hlavné diely

- Rúrka Hliníková rúrka s priemerom 30 mm
- Nastavovacie skrutky Pozinkovaná oceľ (4 ks)

### Identifikácia dielu



## 4 Funkcia

Na pomôcke sa dá podľa potreby osoby po amputácii na mieru upraviť jej uhol, rotácia a dĺžka. Po správnom dotiahnutí nastavovacích skrutiek pomocou Loctite 243 vytvára pomôcka bezpečný spoj dvoch častí končatiny.

K dispozícii sú tri štandardné dĺžky rúrky a primerane zaškolený protetik/technik ich môže zrezať na mieru, aby vyhovovali požiadavkám osoby po amputácii. Pomôcka vďaka tomu pohodlne padne, bude sa dať správne zarovnať a pri používaní protézy bude riadne fungovať.

---

## 5 Údržba

Pomôcku pravidelne kontrolujte zrakom.

Všetky zmeny vo vlastnostiach pomôcky nahláste technikovi/servisnému pracovníkovi, napr. nezvyčajné zvuky, zvýšenú tuhosť, obmedzenú/nadmernú rotáciu alebo značné opotrebovanie.

Informujte odborníka/servisného pracovníka o zmene v telesnej hmotnosti a/alebo úrovni aktivity.

### Čistenie

Vonkajší povrch utrite handričkou navlhčenou vo vode s jemným čistiacim prostriedkom. NEPOUŽÍVAJTE agresívne čistiace prostriedky.

**Zvyšné pokyny v tejto časti sú len pre odborníka.**

Údržbu smie zabezpečovať len kompetentný personál (odborník alebo vhodne zaškolený technik).

Najmenej raz ročne je potrebné absolvovať nasledujúcu rutinnú údržbu:

- Skontrolujte, či je rúrka tesne osadená. Ak je uvoľnená, vyberte ju, vyčistite a znovu osadte.
- Skontrolujte dotiahnutie nastavovacích skrutiek v svorkovej redukcii rúrky. Ak sa uvoľnili, vyberte ich a vyčistite, potom naneste Loctite 243 a dotiahnite ich na správny krútiaci moment, pozri časť *Konštrukcia*.
- Overte, či na pomôcke nie sú poškodenia, ktoré by mohli ovplyvniť jej riadne fungovanie.

Overte si, či si používateľ prečítal a rozumie všetkým informáciám o bezpečnosti a údržbe na úrovni používateľa.

Ak sa pomôcka používa pri extrémnych aktivitách, úroveň a interval údržby treba prehodnotiť a v prípade potreby má poradné a technické oddelenie naplánovať nový harmonogram údržby v závislosti od frekvencie a povahy činnosti. Na základe posúdenia lokálneho rizika by to mala stanoviť primerane kvalifikovaná osoba.

---

## 6 Obmedzenie používania

### Zamýšľaná životnosť

Na základe aktivity a používania treba posúdiť lokálne riziko.

### Zdvíhanie bremien

Hmotnosť a aktivita používateľa sa riadi stanovenými limitmi.

Nosenie bremien používateľom by malo vychádzať z posúdenia lokálnych rizík.

### Prostredie

Pomôcku nevystavujte korozívnym vplyvom ako je voda, kyseliny ani iné kvapaliny. Vyhýbajte sa aj abrazívnemu prostrediu, napríklad prostrediu s obsahom piesku, mohlo by urýchliť predčasné opotrebovanie.

Používajte výhradne pri teplote od -15 °C až 50 °C.



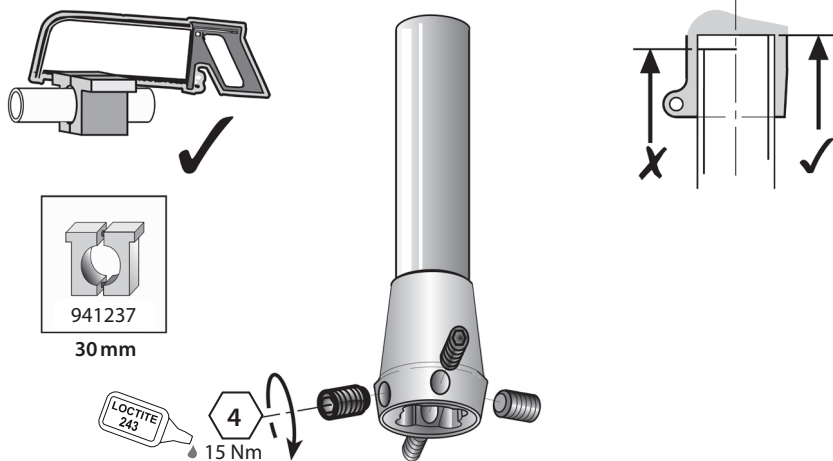
Možno používať v exteriéri

## 7 Odporúčania pri osádzaní

*Pokyny v tejto časti sú len pre odborníkov.*

### Zrezanie na mieru

Rúrka sa dá zrezať na požadovanú dĺžku (pozri *Dĺžka osadenia* v časti 8). Dbajte na to, aby bola pomôcka odrezaná kolmo a nemala ostré hrany.



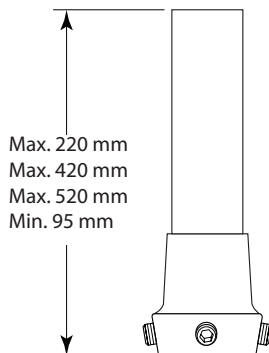
Príznak	Riešenie
Medzi rúrkou/redukciou sa opakovane ozýva zvuk.	Skontrolujte, či je koniec rúrky odrezaný kolmo. Naneste Loctite 243 a dotiahnite nastavovacie skrutky na správny krútiaci moment.
Pomôcka sa vysúva.	Používateľ nesmie používať pomôcku, kým nebude nastavená, opravená alebo vymenená.

## 8 Technické údaje

Rozsah prevádzkovej a skladovacej teploty:	-15 °C až 50 °C
Hmotnosť dielov:	
Dĺžka 220 mm	213 g
Dĺžka 420 mm	362 g
Dĺžka 520 mm	420 g
Úroveň aktivity	1 – 4
Maximálna hmotnosť používateľa:	100 kg/1 – 4 125 kg/1 – 3
Typ pripojenia:	Proximálna – samičia pyramída (Blatchford) Distálny – ø30 mm rúrka
Nastavovací rozsah:	Axiálna rotácia o 360° Náklon $\pm 7^\circ$ od vertikálnej roviny
Dĺžka:	220/420/520 mm

### Dĺžka osadenia

Pomôcka sa dá zrezať na požadovanú dĺžku. Zrezaný koniec rúrky obrúste pilníkom kolmo na zverák tak, aby nemala ostré hrany.



### Skladovanie a manipulácia

Pri dlhodobom skladovaní dbajte na to, aby produkt nebol vlhký, a uchovávajte ho pri izbovej teplote.

## 9 Informácie pri objednávaní

Pomôcka	Číslo dielu
Spájaná pyramídová redukcia (samičia) – priemer 30 mm, dĺžka 220 mm	739052
Spájaná pyramídová redukcia (samičia) – priemer 30 mm, dĺžka 420 mm	739053
Spájaná pyramídová redukcia (samičia) – priemer 30 mm, dĺžka 520 mm	739054

### Ručenie

Výrobca odporúča používať pomôcku výhradne podľa špecifikovaných podmienok a na to, na čo je určená. Pomôcka sa musí udržiavať podľa priloženého návodu na použitie. Výrobca nezodpovedá za nežiaduci výsledok spôsobený kombináciou ním neschválených komponentov.

### Súlad s CE

Tento produkt spĺňa požiadavky nariadenia EÚ 2017/745 o zdravotníckych pomôckach. Produkt je klasifikovaný ako produkt triedy I podľa klasifikačných pravidiel v Dodatku VIII nariadenia. Certifikát o vyhlásení o zhode CE je k dispozícii na nasledujúcej internetovej adrese: [www.blatchford.co.uk](http://www.blatchford.co.uk)



Zdravotnícka pomôcka



Jeden pacient – viacnásobné použitie

### Kompatibilitnosť

Kombinovanie s produktmi značky Blatchford je schválené na základe testovania v súlade s príslušnými normami a MDR vrátane štruktúrálnej skúšky, rozmerovej kompatibility a vlastností v monitorovanej oblasti.

Kombinovanie s alternatívnymi produktmi so značkou CE treba vykonávať s ohľadom na zdokumentované posúdenie lokálnych rizík odborníkom.

### Záruka

Na pomôcku sa vzťahuje 24-mesačná záruka.

Používateľ by mal vedieť, že zmeny alebo úpravy bez jeho výhradného súhlasu by mohli ukončiť platnosť záruky, prevádzkových licencií a výnimiek.

Celé vyhlásenie o záruke nájdete na webovej stránke spoločnosti Blatchford.

### Nahlasovanie závažných incidentov

V nepravdepodobnom prípade závažného incidentu v súvislosti s pomôckou ho treba nahlásiť výrobcovi a kompetentnému štátnemu úradu.

### Environmentálne aspekty

Produkt je vyrobený z recyklovateľných materiálov. Tam, kde je to možné, by sa jednotlivé diely mali recyklovať v súlade s miestnymi nariadeniami o nakladaní s odpadom.

### Odloženie štítku na balení

Odborníkovi odporúčame odložiť si štítky z balenia ako záznam o dodanej pomôčke.

**Potvrdenie o obchodnej známke**

Blatchford je registrovaná obchodná známka spoločnosti Blatchford Products Limited.

**Sídlo výrobcu**

Blatchford Products Limited, Lister Road, Basingstoke RG22 4AH, Spojené kráľovstvo.

Tartalom.....	47
1 Leírás és tervezett felhasználás .....	48
2 Biztonsági információk.....	49
3 Felépítés .....	50
4 Funkció.....	50
5 Karbantartás.....	51
6 A használatot érintő korlátozások.....	51
7 Az illesztésre vonatkozó tanácsok.....	52
8 Műszaki adatok .....	53
9 Rendelési információk.....	54

# 1 Leírás és tervezett felhasználás

Ez a Használati útmutató az orvos és a felhasználó használatára szolgál, kivéve, ha máshogy jelezzük.

A dokumentumban használt eszköz kifejezés a 30 mm átmérőjű, csatlakozóhüvelyes, ragasztott piramisadapterre utal.

Kérjük, olvassa el, és győződjön meg arról, hogy megértette a teljes útmutatót, különösen az összes biztonsági információt és karbantartási utasítást.

## Alkalmazás

Ez az eszköz kizárólag alsó végtagprotézis illesztéseként alkalmazható, és egy felhasználónál való használatra szolgál.

Az eszköz szögbeállítás, forgó beállítás és hosszbeállítás biztosítására szolgál.

Az eszköz három szabványos hosszúságban (220/420/520 mm) kapható, és tovább vágható a személyre szabott végtagillesztéshez és hosszbeállításához, hogy megfeleljen az amputált betegnek.

## Jellemzők

- Könnyű, erős, alumínium konstrukció
- Három szabványos hossz választható

## Aktivítási szint

Ez az eszköz megfelel az 1–4. aktivitási szintnek (testsúlykorlátozás érvényes, lásd *Műszaki adatok*). Természetesen vannak kivételek, és ajánlásainkban lehetőséget kívánunk adni az egyedi, egyéni körülményeknek, és minden ilyen döntést józan és alapos indoklással kell meghozni.

### 1. aktivitási szint

Képesség vagy lehetőség a protézis alkalmazására sík felületeken állandó ütemben való átkelésre vagy járásra. Jellemző a korlátozott vagy nem korlátozott, beltérben mozgó járóbetegre.

### 2. aktivitási szint

Képesség vagy lehetőség járásra, alacsony magasságú környezeti akadályokon, például útpadkán, lépcsőn vagy egyenetlen felületeken való áthaladásra. Jellemző a korlátozott, közösségben mozgó járóbetegre.

### 3. aktivitási szint

Képesség vagy lehetőség változó ütemű járásra. Jellemző a közösségben mozgó járóbetegre, aki képes áthaladni a legtöbb környezeti akadályon, és olyan foglalkozásbeli, terápiás vagy sporttevékenységet űz, amely az egyszerű helyváltoztatáson túl igényli a protézis használatát.

### 4. aktivitási szint

Képesség vagy lehetőség protézissel végzett olyan járásra, amely túllép az alapvető járási képességeken, erős behatást, nagy terhelést vagy energiaszintet mutat. A gyermekek, az aktív felnőttek vagy a sportolók protetikusi igényeire jellemző.

## Ellenjavallatok

Ha a jelen útmutató szerint használják, nincsenek ismert ellenjavallatok.

## Klinikai előnyök

- Beépített csatlakozást biztosít a sípcsont csöve és más protéziskomponensek között.



## 2 Biztonsági információk



Ez a figyelmeztető szimbólum kiemeli a fontos biztonsági információkat, amelyeket gondosan követni kell.



A végtag teljesítményében vagy működésében jelentkező bármilyen változást, például túl nagy holtjátékot vagy szokatlan hangokat azonnal jelenteni kell a szolgáltatónak.



Lépcsőn lefelé menet és bármikor, amikor rendelkezésre áll, használjon korlátot.



Az eszköz nem hosszan tartó vízbe merítésre vagy zuhanyzásra készült, de alkalmas szabadtéri használatra. Ügyeljen arra, hogy az eszköz használata vízben megfeleljen az *A használatot érintő korlátozások* szakaszban megadott feltételeknek.



A felhasználónak tilos módosítania vagy manipulálnia az eszköz beállításait.



Javasoljuk, hogy a felhasználó forduljon az orvoshoz, ha állapota változik.



A meghibásodás vagy a csavarcsatlakozások meglazulása okozta sérülésveszély csökkentése érdekében minden egyes beszerelés előtt győződjön meg arról, hogy a menetek alaposan meg vannak tisztítva.



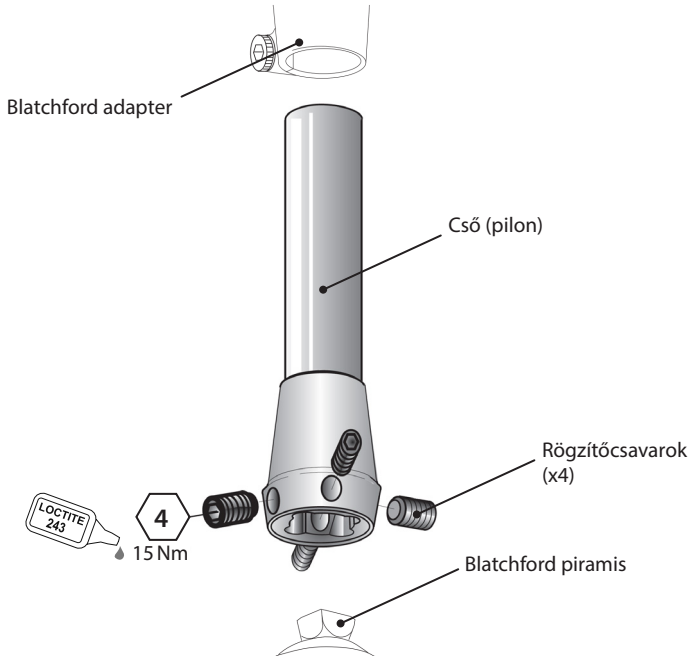
Mindig a meghatározott forgatónyomaték-értéket használja a csapokhoz. Soha ne cserélje ki a rögzítőcsavarokat más csavarokkal.

## 3 Felépítés

### Fő alkatrészek

- Cső 30 mm átmérőjű alumíniumcső
- Rögzítőcsavarok cinkbevonatú acél (x4)

### Az alkatrészek azonosítása



## 4 Funkció

Az eszköz szögbeállítást, forgásbeállítást és hosszbeállítást biztosít a személyre szabott végtagillesztés érdekében, amely megfelel az amputált betegnek. Ha a rögzítőcsavarokat a megfelelő forgatónyomatékkal megszorítják és Loctite 243 menetrögzítővel rögzítik, az eszköz biztonságosan csatlakoztatja egymáshoz a végtag két részét.

Három szabványos csőhossz áll rendelkezésre. A csövet megfelelően képzett gyógyászatisegédeszköz-készítőnek/technikusnak méretre kell vágnia, hogy illeszkedjen az amputált beteg igényeihez. Ez kényelmes illesztést és helyes illeszkedést tesz lehetővé, így biztosítja a megfelelő működést a protézis használata során.

---

## 5 Karbantartás

Szemrevételezéssel rendszeresen ellenőrizze az eszközt.

Az eszköz teljesítményének minden változását, például a szokatlan zajokat, a fokozott merevséget, a korlátozott/túlzott forgást vagy a jelentős kopást jelentse az orvosnak/ szolgáltatónak.

Tájékoztassa az orvost/szolgáltatót testsúlya és/vagy aktivitási szintje bármilyen változásáról.

### Tisztítás

Nedves ruhával és enyhe szappanos vízzel tisztítsa meg a külső felületeket. NE használjon agresszív tisztítószereket.

**A további utasítások ebben a szakaszban kizárólag az orvos használatára szolgálnak.**

A karbantartást kizárólag hozzáértő személy végezheti (orvos vagy megfelelően képzett technikus).

A következő rutin karbantartást legalább évente el kell végezni:

- Ellenőrizze a cső szorosságát. Ha laza, távolítsa el, tisztítsa meg és illessze újra.
- Ellenőrizze a rögzítőcsavarok szorosságát a csőbilincsadapternél. Ha laza, távolítsa el és tisztítsa meg, majd alkalmazzon Loctite 243 csavarrögzítőt, és szorítsa meg a megfelelő forgatónyomatékra, lásd *Felépítés* szakasz.
- Ellenőrizze a hibákat, amelyek befolyásolhatják a megfelelő működést.

Győződjön meg arról, hogy a felhasználó elolvasta és megértette az összes biztonsági és felhasználói szintű karbantartásra vonatkozó információt.

Ha ezt az eszközt extrém aktivitásra használják, felül kell vizsgálni a karbantartás szintjét és intervallumát, és szükség esetén tanácsot és műszaki támogatást kell kérni új karbantartási ütemezés tervezésére az aktivitás gyakoriságától és természetétől függően. Ezt helyi kockázatértékeléssel kell meghatározni, amelyet megfelelően képzett személy végez el.

---

## 6 A használatot érintő korlátozások

### A tervezett élet

Helyi kockázatértékelést kell elvégezni az aktivitás és a felhasználás alapján.

### Súlyok emelése

A felhasználó súlyát és aktivitását a megállapított határértékek szabályozzák.

A felhasználó által vitt súlyt a helyi kockázatértékelés alapján kell meghatározni.

### Környezet

Ne tegye ki az eszközt korrózív anyagoknak, például víznek, savaknak vagy más folyadékoknak. Kerülje a dörzshatású – például homokos – környezetet is, mivel ez elősegítheti az idő előtti kopást.

Kizárólag -15 °C és 50 °C között használható.



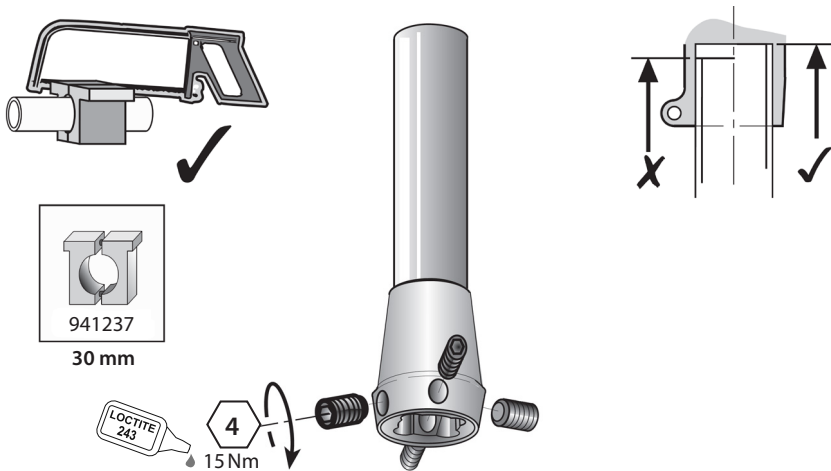
Szabadtéri használatra alkalmas

## 7 Az illesztésre vonatkozó tanácsok

*Az ebben a szakaszban található utasítások kizárólag az orvos használatára szolgálnak.*

### Méretre vágás

A cső a kívánt hosszra vágható (lásd 8. szakasz, *Illesztési magasság*). Ügyeljen arra, hogy az eszközt derékszögben vágja, és a végéről eltávolítsa az éles (sorjás) széleket.



Tünet	Megoldás
Visszatérő zaj a cső/adapter érintkező felülete között.	Ellenőrizze, hogy a cső vége derékszögben van-e vágva. Használjon Loctite 243 csavarrögzítőt, és szorítsa meg a rögzítőcsavarokat a helyes forgatónyomaték-beállításra.
Az eszköz kimozdul a helyéről.	A felhasználó nem használhatja az eszközt az igazításig, javításig vagy kicserélésig.

## 8 Műszaki adatok

Üzemi és tárolási  
hőmérséklet-tartomány: -15 °C–50 °C

Az alkatrész súlya:  
220 mm hosszú 213 g  
420 mm hosszú 362 g  
520 mm hosszú 420 g

Aktivítási szint: 1–4

A felhasználó maximális súlya: 100 kg/1–4  
125 kg/1–3

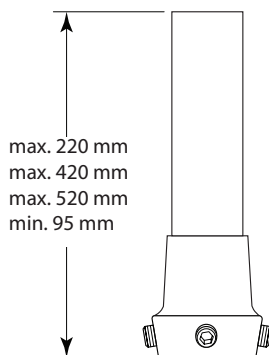
Csatlakozási típusok: Proximális – csatlakozóhévelyes piramis  
(Blatchford)  
Disztális – $\varnothing$ 30 mm-es cső

Az igazítás tartománya: 360°-os, tengely körüli forgatás  
 $\pm 7^\circ$  dőlés a függőlegestől

Hossz: 220/420/520 mm

### Illesztési magasság

Az eszköz a kívánt hosszra vágható. Csiszolja le a cső levágott végét pontosan a vágóablomnál, és távolítsa el az éles széleket.



### Tárolás és kezelés

Ha hosszú ideig tárolja, ügyeljen arra, hogy a termék ne legyen nedves, és szobahőmérsékleten tárolja.

## 9 Rendelési információk

Eszköz	Alkatrészszám
Piramisadapter, ragasztott (csatlakozóhüvelyes) – 30 mm átmérőjű, 220 mm hosszú	739052
Piramisadapter, ragasztott (csatlakozóhüvelyes) – 30 mm átmérőjű, 420 mm hosszú	739053
Piramisadapter, ragasztott (csatlakozóhüvelyes) – 30 mm átmérőjű, 520 mm hosszú	739054

### Felelősség

A gyártó azt javasolja, hogy az eszközt csak a megadott körülmények között és a tervezett célokra használják. Az eszköz karbantartását az ahhoz mellékelte használati útmutató szerint kell végezni. A gyártó nem felel semmilyen olyan nemkívánatos kimenetelért, amelyet általa jóvá nem hagyott alkatrész-kombináció okoz.

### CE-megfelelőség

Ez a termék megfelel az orvostechnikai eszközökre vonatkozó 2017/745 európai uniós rendelet követelményeinek. Ezt a terméket 1. osztályú termékként sorolták be a rendelet VIII. mellékletében meghatározott osztályozási szabályok szerint. Az európai uniós megfelelési nyilatkozat a következő internetes oldalon érhető el: [www.blatchford.co.uk](http://www.blatchford.co.uk)



Orvostechnikai eszköz



Egy beteg – többszöri felhasználás

### Összeférhetőség

A Blatchford márkájú termékekkel való összeállítás a vonatkozó szabványok és az orvostechnikai eszközökre vonatkozó rendelet (MDR) szerint végzett tesztelés alapján engedélyezett, ideértve a szerkezeti vizsgálatot, a méretek összeférhetőségét és az ellenőrzött helyszíni teljesítményt.

Más, CE-jelzéssel ellátott termékekkel való összeállítást orvos által végzett, dokumentált helyi kockázatértékelésre figyelemmel kell elvégezni.

### Jótállás

Az eszközre 24 hónapos jótállás vonatkozik.

A felhasználónak tisztában kell lennie azzal, hogy a kifejezetten jóvá nem hagyott változtatások vagy módosítások érvényteleníthetik a jótállást, a működési engedélyeket és mentességeket.

A teljes jótállási nyilatkozatot lásd a Blatchford weboldalán.

### A súlyos incidensek jelentése

Abban a valószínűtlen esetben, ha súlyos incidens történne az eszközzel kapcsolatban, azt jelenteni kell a gyártónak és az illetékes nemzeti hatóságnak.

### Környezetvédelmi szempontok

Ez a termék újrahasznosítható anyagból készült. Hacsak lehetséges, az alkatrészeket a helyi hulladékkezelési szabályozások szerint újra kell hasznosítani.

### A csomagolás címkéjének megőrzése

Javasoljuk, hogy az orvos őrizze meg a csomagolás címkéjét a biztosított eszköz dokumentálásaként.

### **Védjegyre vonatkozó elismervények**

A Blatchford a Blatchford Products Limited bejegyzett védjegye.

### **A gyártó székhelye**

Blatchford Products Limited, Lister Road, Basingstoke RG22 4AH, Egyesült Királyság

Περιεχόμενα.....	56
1 Περιγραφή και σκοπός για τον οποίο προορίζεται .....	57
2 Πληροφορίες για την ασφάλεια .....	58
3 Κατασκευή.....	59
4 Λειτουργία .....	59
5 Συντήρηση.....	60
6 Περιορισμοί για τη χρήση.....	60
7 Οδηγίες προσαρμογής.....	61
8 Τεχνικά στοιχεία.....	62
9 Πληροφορίες παραγγελίας.....	63



# 1 Περιγραφή και σκοπός για τον οποίο προορίζεται

Αυτές οι οδηγίες χρήσης προορίζονται για τον ιατρό και τον χρήστη, εκτός αν αναφέρεται κάτι διαφορετικό.

Ο όρος *συσσκευή* όπως χρησιμοποιείται σε αυτές τις οδηγίες χρήσης αναφέρεται στον θηλυκό συγκολλημένο προσαρμογέα πυραμίδας 30 mm.

Διαβάστε και βεβαιωθείτε ότι κατανοήσατε αυτές τις οδηγίες, ιδιαίτερα όλες τις πληροφορίες για την ασφάλεια και τις οδηγίες συντήρησης.

## Εφαρμογή

Η συσκευή αυτή πρέπει να χρησιμοποιείται αποκλειστικά για προσαρτήσεις προθέσεων κάτω άκρου και προορίζεται για έναν μόνο χρήστη.

Η συσκευή χρησιμοποιείται για να παρέχει ρύθμιση γωνίας, περιστροφής και μήκους.

Η συσκευή διατίθεται σε τρία τυποποιημένα μήκη (220/420/520 mm) και μπορεί να κοπεί περαιτέρω για προσαρμοσμένη ευθυγράμμιση του άκρου και ρύθμιση του μήκους ώστε να ταιριάζει στο ακρωτηριασμένο άτομο.

## Χαρακτηριστικά

- Ελαφριά, ανθεκτική κατασκευή από αλουμίνιο
- Επιλογή μεταξύ τριών τυποποιημένων μηκών

## Επίπεδο σωματικής δραστηριότητας

Αυτή η συσκευή είναι κατάλληλη για τα επίπεδα δραστηριότητας 1-4 (ισχύουν όρια βάρους, βλ. *Τεχνικά στοιχεία*). Ασφαλώς υπάρχουν εξαιρέσεις και στη σύστασή μας θέλουμε να υπάρχει πρόβλεψη για μοναδικές, ατομικές περιστάσεις και οποιαδήποτε τέτοια απόφαση θα πρέπει να λαμβάνεται με βάσιμη και διεξοδική αιτιολόγηση.

### Επίπεδο σωματικής δραστηριότητας 1

Ο χρήστης έχει την ικανότητα ή τη δυνατότητα να χρησιμοποιεί πρόθεση για μετακινήσεις ή βάδιση σε επίπεδες επιφάνειες, με σταθερό ρυθμό. Αυτό είναι χαρακτηριστικό του περιορισμένου και μη περιορισμένου περιπατητή μέσα στο σπίτι.

### Επίπεδο σωματικής δραστηριότητας 2

Ο χρήστης έχει την ικανότητα ή τη δυνατότητα για βάδιση και μπορεί να διαβαίνει περιβαλλοντικά εμπόδια χαμηλού επιπέδου, όπως πεζοδρόμια, σκαλιά ή ανώμαλες επιφάνειες. Αυτό είναι χαρακτηριστικό του περιορισμένου περιπατητή που βγαίνει στην κοινωνία.

### Επίπεδο σωματικής δραστηριότητας 3

Ο ασθενής έχει την ικανότητα ή τη δυνατότητα για βάδιση με μεταβλητό ρυθμό. Αυτό είναι χαρακτηριστικό του περιπατητή που βγαίνει στην κοινωνία, ο οποίος έχει την ικανότητα να διαβαίνει τα περισσότερα περιβαλλοντικά εμπόδια και μπορεί να διεξάγει επαγγελματική, θεραπευτική ή αθλητική δραστηριότητα που απαιτεί προσθετική χρήση πέρα από την απλή μετακίνηση.

### Επίπεδο σωματικής δραστηριότητας 4

Ο ασθενής έχει την ικανότητα ή τη δυνατότητα για προσθετική βάδιση που υπερβαίνει τη βασική ικανότητα βάδισης, επικινδύνοντας υψηλά επίπεδα πρόσκρουσης, καταπόνησης ή ενέργειας. Αυτό είναι χαρακτηριστικό των προσθετικών απαιτήσεων ενός παιδιού, δραστήριου ενήλικα ή αθλητή.

## Αντενδείξεις

Δεν υπάρχουν γνωστές αντενδείξεις εφόσον χρησιμοποιείται σύμφωνα με αυτές τις οδηγίες.

## Κλινικό όφελος

- Παρέχει μια ενσωματωμένη σύνδεση μεταξύ του σωλήνα κνήμης και άλλων προσθετικών εξαρτημάτων.

## 2 Πληροφορίες για την ασφάλεια



Αυτό το προειδοποιητικό σύμβολο επισημαίνει σημαντικές πληροφορίες για την ασφάλεια, οι οποίες πρέπει να ακολουθούνται προσεκτικά.



Τυχόν αλλαγές στην απόδοση ή τη λειτουργία του άκρου, π.χ. υπερβολικός τζόγος ή ασυνήθιστοι θόρυβοι, θα πρέπει να αναφέρονται αμέσως στον πάροχο υπηρεσιών σας.



Χρησιμοποιείτε πάντα χειρολισθήρα όταν κατεβαίνετε σκάλες και οποιαδήποτε άλλη στιγμή, εφόσον είναι διαθέσιμος.



Η συσκευή δεν έχει σχεδιαστεί για παρατεταμένη βύθιση σε υγρά ή χρήση στο ντους, αλλά είναι κατάλληλη για χρήση σε εξωτερικούς χώρους. Βεβαιωθείτε ότι οποιαδήποτε χρήση της συσκευής σε νερό συμμορφώνεται με τις προϋποθέσεις που αναφέρονται στην ενότητα *Περιορισμοί για τη χρήση*.



Ο χρήστης δεν πρέπει να ρυθμίζει τη συσκευή ή να παρεμβαίνει στη ρύθμισή της.



Συνιστάται στον χρήστη να επικοινωνήσει με τον ιατρό του σε περίπτωση αλλαγής της κατάστασής του.



Για να μειωθεί ο κίνδυνος τραυματισμού λόγω αστοχίας ή χαλάρωσης των συνδέσεων με κοχλίες, βεβαιωθείτε ότι τα σπειρώματα των κοχλιών έχουν καθαριστεί καλά πριν από κάθε εγκατάσταση.



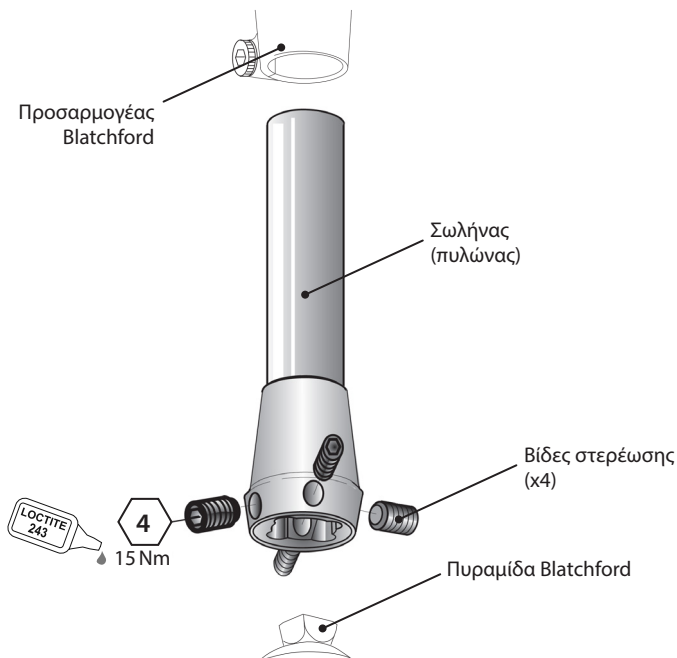
Εφαρμόζετε πάντα την καθορισμένη τιμή ροπής στους κοχλίες. Ποτέ μην αντικαθιστάτε τις βίδες στερέωσης με εναλλακτικές βίδες.

## 3 Κατασκευή

### Κύρια μέρη

- Σωλήνας Σωλήνας αλουμινίου διαμέτρου 30 mm
- Βίδες στερέωσης Επιψευδαργυρωμένος χάλυβας (x4)

### Αναγνώριση εξαρτημάτων



## 4 Λειτουργία

Η συσκευή παρέχει ρύθμιση γωνίας, περιστροφής και μήκους για προσαρμοσμένη ευθυγράμμιση του άκρου ώστε να ταιριάζει στο ακρωτηριασμένο άτομο. Όταν οι βίδες στερέωσης σφίγγονται με την κατάλληλη ροπή και στερεώνονται, χρησιμοποιώντας Loctite 243, αυτή η συσκευή προσφέρει έναν ασφαλή τρόπο σύνδεσης των δύο μερών του άκρου.

Υπάρχουν διαθέσιμα τρία τυποποιημένα μήκη σωλήνα και προορίζονται για κοπή στο επιθυμητό μήκος από κατάλληλα εκπαιδευμένο τεχνικό/ειδικό προσθετικής ώστε να ανταποκρίνεται στις απαιτήσεις του ακρωτηριασμένου ατόμου. Έτσι είναι δυνατή η άνετη εφαρμογή και η σωστή ευθυγράμμιση, ώστε να εξασφαλιστεί η σωστή λειτουργία κατά τη χρήση της πρόθεσης.

## 5 Συντήρηση

Ελέγχετε οπτικά τη συσκευή σε τακτά χρονικά διαστήματα.

Αναφέρετε οποιοσδήποτε αλλαγές στην απόδοση αυτής της συσκευής στον ιατρό/τον πάροχο υπηρεσιών, π.χ. ασυνήθιστους θορύβους, αυξημένη ακαμψία, περιορισμένη/υπερβολική περιστροφή ή σημαντική φθορά.

Ενημερώστε τον ιατρό/τον πάροχο υπηρεσιών για τυχόν αλλαγές στο σωματικό βάρος ή/και το επίπεδο σωματικής δραστηριότητας.

### Καθαρισμός

Χρησιμοποιήστε υγρό πανί και ήπιο σαπούνι για να καθαρίσετε τις εξωτερικές επιφάνειες. ΜΗ χρησιμοποιείτε επιθετικά καθαριστικά.

**Οι υπόλοιπες οδηγίες της ενότητας αυτής προορίζονται μόνο για χρήση από ιατρούς.**

Η συντήρηση αυτή πρέπει να εκτελείται μόνο από αρμόδιο προσωπικό (ιατρό ή κατάλληλο εκπαιδευμένο τεχνικό).

Οι ακόλουθες εργασίες τακτικής συντήρησης πρέπει να εκτελούνται τουλάχιστον σε ετήσια βάση:

- Ελέγξτε αν είναι καλά σφιγμένος ο σωλήνας. Αν είναι χαλαρός, αφαιρέστε, καθαρίστε και επανατοποθετήστε.
- Ελέγξτε αν είναι καλά σφιγμένες οι βίδες στερέωσης στον προσαρμογέα σφιγκτήρα σωλήνα. Αν είναι χαλαρές, αφαιρέστε και καθαρίστε τις και, στη συνέχεια, εφαρμόστε Loctite 243 και σφίξτε στη σωστή ρύθμιση ροπής, βλ. ενότητα *Κατασκευή*.
- Ελέγξτε για ελαττώματα που θα μπορούσαν να επηρεάσουν τη σωστή λειτουργία.

Βεβαιωθείτε ότι ο χρήστης έχει διαβάσει και κατανοήσει όλες τις πληροφορίες ασφαλείας και συντήρησης σε επίπεδο χρήστη.

Αν αυτή η συσκευή χρησιμοποιείται για ακραία σωματική δραστηριότητα, το επίπεδο και το διάστημα συντήρησης θα πρέπει να επανεξεταστούν και, εφόσον χρειαστεί, θα πρέπει να ζητηθεί η παροχή συμβουλών και τεχνικής υποστήριξης για τον σχεδιασμό ενός νέου χρονοδιαγράμματος συντήρησης ανάλογα με τη συχνότητα και τη φύση της σωματικής δραστηριότητας. Αυτό θα πρέπει να καθοριστεί βάσει επιτόπιας αξιολόγησης κινδύνου που θα αναληφθεί από άτομο με τα κατάλληλα προσόντα.

## 6 Περιορισμοί για τη χρήση

### Προβλεπόμενη διάρκεια ζωής

Θα πρέπει να διεξαχθεί επιτόπια αξιολόγηση κινδύνου βάσει της δραστηριότητας και της χρήσης.

### Άρση φορτίου

Το βάρος και η δραστηριότητα του χρήστη εξαρτώνται από τα αναφερόμενα όρια.

Η μεταφορά φορτίου από τον χρήστη θα πρέπει να βασίζεται σε επιτόπια αξιολόγηση κινδύνου.

### Περιβάλλον

Αποφύγετε την έκθεση της συσκευής σε διαβρωτικά στοιχεία όπως νερό, οξέα και άλλα υγρά. Αποφύγετε επίσης διαβρωτικά περιβάλλοντα, όπως αυτά που περιέχουν άμμο, για παράδειγμα, καθώς αυτά μπορεί να προκαλέσουν την πρόωρη φθορά.

Αποκλειστικά για χρήση σε θερμοκρασία μεταξύ -15 °C και 50 °C.



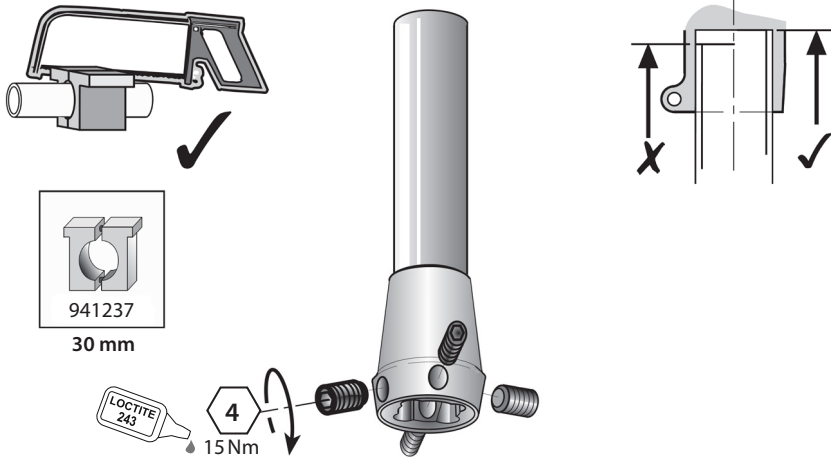
Κατάλληλο για εξωτερική χρήση

## 7 Οδηγίες προσαρμογής

Οι οδηγίες της ενότητας αυτής προορίζονται μόνο για χρήση από ιατρούς.

### Κοπή στο επιθυμητό μήκος

Ο σωλήνας μπορεί να κοπεί στο επιθυμητό μήκος (βλ. Μήκος προσαρμογής στην ενότητα 8). Φροντίστε η συσκευή να κοπεί ίσια και να διορθωθούν τυχόν αιχμηρές ακμές στο κομμένο άκρο.



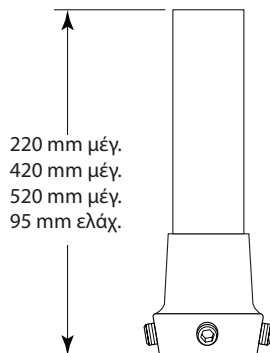
Σύμπτωμα	Λύση
Ακούγεται ένας επαναλαμβανόμενος θόρυβος στη διεπαφή σωλήνα/προσαρμογέα.	Βεβαιωθείτε ότι το άκρο του σωλήνα έχει κοπεί ίσια. Εφαρμόστε Loctite 243 και σφίξτε στη σωστή ρύθμιση ροπής.
Η συσκευή βγαίνει από τη θέση της.	Ο χρήστης δεν πρέπει να χρησιμοποιήσει τη συσκευή μέχρι να προσαρμοστεί, να επισκευαστεί ή να αντικατασταθεί.

## 8 Τεχνικά στοιχεία

Εύρος τιμών θερμοκρασίας χειρισμού και φύλαξης:	-15 °C έως 50 °C
Βάρος εξαρτημάτων:	
Μήκος 220 mm	213 g
Μήκος 420 mm	362 g
Μήκος 520 mm	420 g
Επίπεδο σωματικής δραστηριότητας:	1–4
Μέγιστο βάρος χρήστη:	100 kg/1–4 125 kg/1–3
Τύπος προσαρτήματος:	Εγγύς—θηλυκή πυραμίδα (Blatchford) Περιφερικά—Σωλήνας $\varnothing$ 30 mm
Εύρος ρύθμισης:	Αξονική περιστροφή 360° $\pm 7^\circ$ κλίση κατακόρυφα
Μήκος:	220/420/520 cm

### Μήκος προσαρμογής

Η συσκευή μπορεί να κοπεί στο επιθυμητό μήκος. Λιμάρετε το κομμένο άκρο του σωλήνα ώστε να ισιώσει και να έρθει πρόσωπο με το ιχνάριο κοπής και διορθώστε τυχόν αιχμηρές ακμές.



### Φύλαξη και χειρισμός

Κατά τη φύλαξη για παρατεταμένα χρονικά διαστήματα, βεβαιωθείτε ότι το προϊόν είναι απαλλαγμένο από υγρασία και ότι αποθηκεύεται σε θερμοκρασία δωματίου.

## 9 Πληροφορίες παραγγελίας

Συσκευή	Αριθμός εξαρτήματος
Συγκολλημένος προσαρμογέας πυραμίδας (θηλυκός) - διαμέτρου 30 mm, μήκους 220 mm	739052
Συγκολλημένος προσαρμογέας πυραμίδας (θηλυκός) - διαμέτρου 30 mm, μήκους 420 mm	739053
Συγκολλημένος προσαρμογέας πυραμίδας (θηλυκός) - διαμέτρου 30 mm, μήκους 520 mm	739054

### Ευθύνη

Ο κατασκευαστής συνιστά τη χρήση της συσκευής μόνο υπό τις καθορισμένες συνθήκες και για τους προβλεπόμενους σκοπούς. Η συσκευή πρέπει να συντηρείται σύμφωνα με τις οδηγίες χρήσης που συνοδεύουν τη συσκευή. Ο κατασκευαστής δεν φέρει ευθύνη για οποιοδήποτε δυσμενές αποτέλεσμα προκληθεί από συνδυασμούς εξαρτημάτων που δεν έχουν εγκριθεί από αυτόν.

### Πιστότητα CE

Το προϊόν αυτό ικανοποιεί τις απαιτήσεις του Ευρωπαϊκού Κανονισμού (ΕΕ) 2017/745 περί ιατροτεχνολογικών προϊόντων. Το προϊόν αυτό έχει ταξινομηθεί ως ιατροτεχνολογικό προϊόν κατηγορίας Ι σύμφωνα με τους κανόνες ταξινόμησης που περιγράφονται στο παράρτημα VIII του κανονισμού. Η δήλωση πιστότητας ΕΕ διατίθεται στην ακόλουθη διεύθυνση στο Internet: [www.blatchford.co.uk](http://www.blatchford.co.uk)



ιατροτεχνολογικό προϊόν



Πολλαπλή χρήση – σε έναν μόνο ασθενή

### Συμβατότητα

Ο συνδυασμός με προϊόντα επωνυμίας Blatchford εγκρίνεται βάσει δοκιμών σύμφωνα με τα σχετικά πρότυπα και την οδηγία περί των ιατροτεχνολογικών προϊόντων, συμπεριλαμβανομένων δομικών δοκιμών, συμβατότητας διαστάσεων και παρακολουθούμενης απόδοσης πεδίου. Ο συνδυασμός με εναλλακτικά προϊόντα με σήμανση CE πρέπει να πραγματοποιείται βάσει τεκμηριωμένης επιτόπιας αξιολόγησης κινδύνου που έχει διεξαχθεί από ιατρό.

### Εγγύηση

Η συσκευή αυτή καλύπτεται από εγγύηση 24 μηνών.

Ο χρήστης πρέπει να ενημερώνεται ότι οι αλλαγές ή οι τροποποιήσεις που δεν έχουν εγκριθεί ρητά ενδέχεται να ακυρώσουν την εγγύηση, τις άδειες λειτουργίας και τις εξαιρέσεις. Ανατρέξτε στον ιστότοπο της Blatchford για την τρέχουσα πλήρη δήλωση εγγύησης.

### Αναφορά σοβαρών περιστατικών

Στην απίθανη περίπτωση που προκύψει κάποιο σοβαρό περιστατικό σε σχέση με τη συσκευή αυτή, αυτό θα πρέπει να αναφερθεί στον κατασκευαστή και τις αρμόδιες εθνικές αρχές.

### Θέματα περιβάλλοντος

Το προϊόν αυτό έχει κατασκευαστεί από ανακυκλώσιμα υλικά. Όπου αυτό είναι δυνατόν, τα εξαρτήματα θα πρέπει να ανακυκλώνονται σύμφωνα με τους τοπικούς κανονισμούς χειρισμού αποβλήτων.

### Διατήρηση της ετικέτας συσκευασίας

Συνιστάται στον ιατρόνα διατηρεί την ετικέτα της συσκευασίας ως αρχείο της παρεχόμενης συσκευής.

### **Αναγνωρίσεις εμπορικών σημάτων**

Η ονομασία Blatchford είναι σήμα κατατεθέν της Blatchford Products Limited.

### **Καταχωρημένη διεύθυνση κατασκευαστή**

Blatchford Products Limited, Lister Road, Basingstoke RG22 4AH, Ηνωμένο Βασίλειο.





Saturs.....	65
1 Apraksts un paredzētais mērķis .....	66
2 Drošības informācija .....	67
3 Uzbūve .....	68
4 Funkcija.....	68
5 Apkope.....	69
6 Lietošanas ierobežojumi.....	69
7 Pielāgošanas ieteikumi.....	70
8 Tehniskie dati.....	71
9 Pasūtišanas informācija.....	72

# 1 Apraksts un paredzētais mērķis

Šī lietošanas pamācība ir paredzēta speciālistam un lietotājam, ja vien nav norādīts citādi. Termins *ierīce* šajā dokumentā tiek izmantots, lai apzīmētu saistītu piramīdas ligzdas tipa adapteri, 30 mm.

Lūdzu, izlasiet un pārliecinieties, ka izprotat šos norādījumus — it īpaši visu informāciju par drošību un apkopes norādījumus.

## Pielietojums

Šī ierīce ir jālieto tikai apakšējo ekstremitāšu protēžu savienojumiem; tā paredzēta vienam lietotājam.

Ierīci izmanto, lai noregulētu leņķi, rotāciju un garumu.

Ierīce ir pieejama trīs standarta garumos (220/420/520 mm), un to var sagriezt vēl vairāk, lai pielāgotu ekstremitātes salāgojumu un garumu, pielāgojot personai, kurai veikta amputācija.

## Funkcijas

- Viegla, izturīga alumīnija konstrukcija
- Trīs standarta garumu izvēle

## Aktivitātes līmenis

Šī ierīce ir piemērota 1.–4. aktivitātes līmenim (pastāv ķermeņa masas ierobežojumi; skatīt *Tehniskie dati*). Protams, pastāv izņēmumi, un mūsu ieteikumā vēlamies pieļaut unikālus, individuālus apstākļus, un jebkurš šāds lēmums ir jāpieņem, ja ir skaidrs un pārdomāts pamatojums.

### 1. aktivitātes līmenis

Spēj vai ir potenciāls izmantot protēzi, lai pārvietotos ar palīdzību vai staigātu pa līdzenu virsmu fiksētā tempā. Tipiski personai, kura spēj staigāt mājās ar vai bez ierobežojumiem.

### 2. aktivitātes līmenis

Spēja vai potenciāls staigāt ar spēju šķērsot nelielas vides barjeras, piemēram, ietves malas, kāpnes vai nelīdzenas virsmas. Tipiski cilvēkam, kas pārvietojas ar ierobežojumiem ārpus mājām.

### 3. aktivitātes līmenis

Spēja vai potenciāls pārvietoties ar mainīgu tempu. Tipiski cilvēkam, kurš var neatkarīgi pārvietoties ārpus mājas, šķērsojot lielāko daļu vides barjeru, un kuram var būt profesionālā, terapeitiskā vai fiziskā aktivitāte, kam nepieciešama protēzes izmantošana, kas pārsniedz parastu pārvietošanos.

### 4. aktivitātes līmenis

Spēja vai potenciāls staigāt, kas pārsniedz parastās pārvietošanās ar protēzi prasmes, pieļaujot augstu triecienu, stresa vai enerģijas pakāpi. Tipiski bērnu, aktīvu pieaugušo vai sportistu protezēšanas vajadzībām.

## Kontrindikācijas

Nav zināmu kontrindikāciju, ja ierīce tiek lietota atbilstoši šiem norādījumiem.

## Kliniskais ieguvums

- Nodrošina iebūvētu savienojumu starp apakšstilba caurulīti un citiem protēzes komponentiem.

## 2 Drošības informācija



Šis brīdinājuma simbols izceļ svarīgu drošības informāciju, kas rūpīgi jāievēro.



Par jebkādām ekstremitātes veiktspējas vai funkcionēšanas izmaiņām, piem., pārmērīgu kustību vai neparastiem trokšņiem, nekavējoties ziņojiet savam pakalpojumu sniedzējam.



Ejot pa kāpnēm lejā un jebkurā citā laikā vienmēr izmantojiet kāpņu margas, kad tās ir pieejamas.



Ierīce nav paredzēta ilgstošai iegremdēšanai vai lietošanai dušā, bet ir piemērota lietošanai ārpus telpām. Pārliedzinieties, ka ierīces lietošana ūdenī atbilst nosacījumiem, kas norādīti sadaļā *Lietošanas ierobežojumi*.



Lietotājs nedrīkst regulēt vai izmainīt ierīces iestatījumu.



Ja mainās ierīces stāvoklis, lietotājam tiek ieteikts sazināties ar speciālistu.



Lai samazinātu traumu risku skrūvju savienojumu kļūmes vai vaļīguma dēļ, pirms katras uzstādīšanas pārliedzinieties, ka skrūvju vītnes ir rūpīgi iztīrītas.



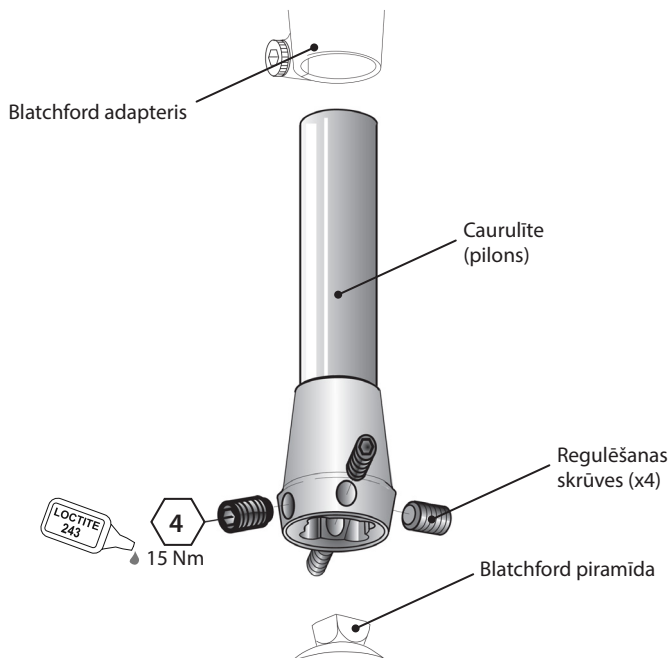
Vienmēr izmantojiet norādīto griezes momenta vērtību skrūvēm. Nekad neaizstājiet regulēšanas skrūves ar citām skrūvēm.

## 3 Uzbūve

### Galvenās daļas

- Caurulīte 30 mm diametra alumīnija caurulīte
- Regulēšanas skrūves Cinkots tērauds (x4)

### Sastāvdaļu identifikācija



## 4 Funkcija

Šī ierīce nodrošina leņķa, rotācijas un garuma regulēšanu, lai pielāgotu ekstremitātes salāgojumu atbilstoši personai, kurai veikta amputācija. Ja regulēšanas skrūves ir pievilktas un ierīce pareizi novietota, izmantojot Loctite 243, tā ļauj droši savienot divas ekstremitātes daļas.

Ir pieejami trīs standarta caurulītes garumi, un tos paredzēts sagriezt atbilstoši apmācītam protēzistam/tehniķim, lai tā būtu piemērota personai, kurai ir veikta amputācija. Tas nodrošina komfortablu pievienošanu un pareizu salāgošanu, lai lietošanas laikā protēze pareizi darbotos.

## 5 Apkope

Regulāri vizuāli pārbaudiet ierīci.

Par jebkādām izmaiņām šīs ierīces veiktspējā, piem., neparastiem trokšņiem, palielinātu stīvumu, ierobežotu/pārmērīgu rotāciju vai nozīmīgu nodilumu, ziņojiet speciālistam/pakalpojumu sniedzējam.

Informējiet speciālistu/pakalpojumu sniedzēju par jebkādām ķermeņa masas un/vai aktivitātes līmeņa izmaiņām.

### Tīrīšana

Izmantojiet mitru drānu un vieglu ziepjūdeni, lai notīrītu ārējās virsmas. NEIZMANTOJIET agresīvus tīrīšanas līdzekļus.

**Turpmākie šajā sadaļā esošie norādījumi paredzēti tikai speciālistam.**

Šo apkopi drīkst veikt tikai kompetents personāls (speciālists vai atbilstoši apmācīts tehniķis).

Vismaz reizi gadā jāveic šāda regulārā apkope.

- Pārbaudiet, vai caurulīte ir stingri nostiprināta. Ja tā ir vaļīga, atvienojiet, notīriet un uzstādiet atkārtoti.
- Pārbaudiet, vai regulēšanas skrūves ir stingri pievilktas pie caurulītes stiprinājuma adaptera. Ja tās ir vaļīgas, atvienojiet un notīriet, pēc tam izmantojiet Loctite 243 un pievelciet līdz pareizajam griezes momenta iestatījumam; skatīt sadaļu *Uzbūve*
- Pārbaudiet, vai nav defektu, kas varētu ietekmēt pareizu darbību.

Pārliecinieties, ka lietotājs ir izlasījis un sapratis visu drošības un lietotājam veicamās apkopes informāciju.

Ja šo ierīci izmanto ekstrēmām aktivitātēm, tehniskās apkopes līmenis un intervāls ir jāpārskata un, ja nepieciešams, jālūdz padoms un tehniskais atbalsts, lai plānotu jaunu tehniskās apkopes grafiku atkarībā no darbību biežuma un rakstura. Tas jānosaka vietējā riska novērtējumā, ko veic atbilstoši kvalificēta persona.

## 6 Lietošanas ierobežojumi

### Paredzētais kalpošanas laiks

Jāveic vietējs riska novērtējums, pamatojoties uz aktivitāti un lietojumu.

### Celšanas slodzes

Lietotāja ķermeņa masu un aktivitāti regulē noteiktie ierobežojumi.

Lietotāja slodzei jāatbilst vietējā riska novērtējumā noteiktajai.

### Vide

Izvairieties no ierīces pakļaušanas kodīgas vides, piemēram, ūdens, skābju un citu šķidrums, iedarbības. Izvairieties arī no abrazīvām vidēm, piemēram, tām, kas satur smiltis, jo tās var veicināt priekšlaicīgu nodilumu.

Lietojiet tikai temperatūrā no -15 °C līdz 50 °C.



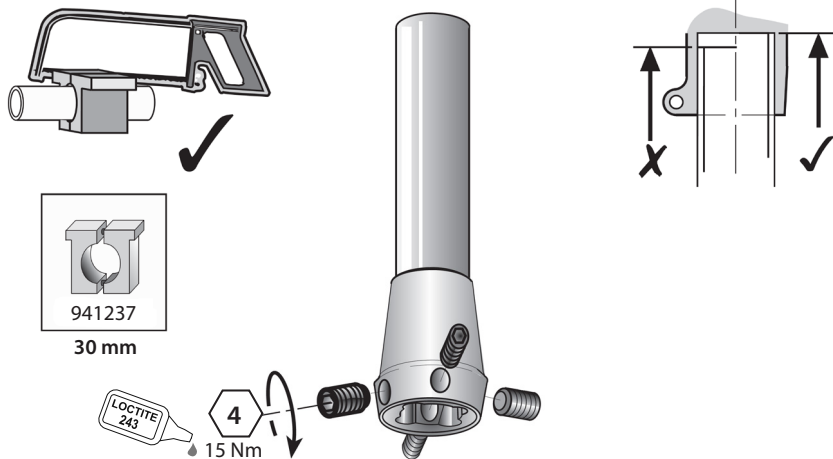
Piemērota lietošanai ārā

## 7 Pielāgošanas ieteikumi

Šajā sadaļā esošie norādījumi paredzēti tikai speciālistam.

### Pareizā garuma nogriešana

Caurulīti var nogriezt nepieciešamajā garumā (skatīt sadaļu *Uzstādīšanas garums* 8. nodaļā). Pārliecinieties, ka ierīces griezumums ir kvadrātveida formas un galā ir noņemtas asās malas.



Simptoms	Risinājums
Caurulītes/adaptera saskarnē atkārtoti rodas troksnis.	Pārliecinieties, ka caurulītes gala griezumums ir kvadrātveida formas. Izmantojiet Loctite 243 un pievelciet regulēšanas skrūves līdz pareizajam griezes momenta iestatījumam.
Ierīce izvirzījies no pozīcijas.	Lietotājs nedrīkst lietot ierīci, kamēr tā nav noregulēta, salabota vai nomainīta.

## 8 Tehniskie dati

Darbības un uzglabāšanas temperatūras diapazons: -15 °C līdz 50 °C

Komponenta svars:  
220 mm garums 213 g  
420 mm garums 362 g  
520 mm garums 420 g

Aktivitātes līmenis: 1.–4.

Maks. lietotāja ķermeņa masa: 100 kg/1–4  
125 kg/1–3

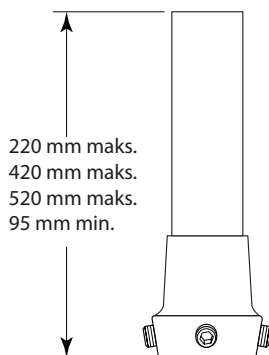
Piestiprināšanas veids: Proksimālais — piramīdas ligzdas tipa (Blatchford)  
Distālais — ø30 mm caurulīte

Noregulēšanas diapazons: 360° aksiāla rotācija  
±7° sasvērums no vertikālā

Garums: 220/420/520 mm

### Uzstādīšanas garums

Ierīci var nogriezt nepieciešamajā garumā. Noslīpējiet caurulītes gala kvadrātveida formas griezumu līdz griešanas veidnei un noņemiet asās malas.



### Uzglabāšana un rīkošanās

Uzglabājot ilgstoši, nodrošiniet, ka izstrādājumā nav mitruma un tas tiek uzglabāts istabas temperatūrā.

## 9 Pasūtišanas informācija

Ierīce	Daļas numurs
Saistīts piramīdas adapteris (ligzdas tipa) — 30 mm diametrs, 220 mm garums	739052
Saistīts piramīdas adapteris (ligzdas tipa) — 30 mm diametrs, 420 mm garums	739053
Saistīts piramīdas adapteris (ligzdas tipa) — 30 mm diametrs, 520 mm garums	739054

### Atbildība

Ražotājs iesaka izmantot ierīci tikai noteiktos apstākļos un paredzētajiem mērķiem. Ierīces apkope ir jāveic saskaņā ar komplektācijā iekļauto lietošanas pamācību. Ražotājs nav atbildīgs par negatīviem rezultātiem, ko izraisa neatļautas komponentu kombinācijas.

### CE atbilstība

Šis izstrādājums atbilst Eiropas Regulai ES 2017/745, kas attiecas uz medicīniskajām ierīcēm. Šis izstrādājums ir klasificēts kā I klases produkts saskaņā ar klasifikācijas kritērijiem, kas izklāstīti Regulas VIII pielikumā. ES atbilstības deklarācijas sertifikāts pieejams tīmekļa vietnē [www.blatchford.co.uk](http://www.blatchford.co.uk)



Medicīniskā ierīce



Viens pacients — atkārtota lietošana

### Saderība

Kombinācija ar Blatchford zīmola izstrādājumiem ir apstiprināta, pamatojoties uz testēšanu saskaņā ar attiecīgajiem standartiem un MDR, tostarp attiecībā uz konstrukcijas pārbaudi, izmēru saderību un uzraudzītu lauka veiktspēju.

Kombinēšana ar alternatīviem CE marķētiem izstrādājumiem jāveic, ņemot vērā dokumentētu vietējā riska novērtējumu, ko izpilda speciālists.

### Garantija

Šai ierīcei ir piešķirta 24 mēnešu garantija.

Lietotājam ir jāapzinās, ka izmaiņas vai pārveidojumi, kas nav skaidri apstiprināti, var anulēt garantiju, darbības licences un izņēmumus.

Pilnīgu pašreizējo garantijas paziņojumu skatīt Blatchford tīmekļa vietnē.

### Ziņošana par nopietniem negadījumiem

Ja rodas nopietns negadījums, kas saistīts ar šo ierīci un kas ir maz ticams, par to jāziņo ražotājam un valsts kompetentajai iestādei.

### Vides aspekti

Šis izstrādājums ir izgatavots no pārstrādājamiem materiāliem. Ja iespējams, komponenti jāpārstrādā saskaņā ar vietējiem atkritumu apstrādes noteikumiem.

### Iepakojuma etiķetes saglabāšana

Speciālistam ieteicams glabāt iepakojuma etiķeti atsaucei par piegādāto ierīci.



**Paziņojumi par preču zīmēm**

Blatchford ir Blatchford Products Limited reģistrēta preču zīme.

**Ražotāja reģistrētā adrese**

Blatchford Products Limited, Lister Road, Basingstoke RG22 4AH, Apvienotā Karaliste.

Turinys .....	74
1 Aprašas ir numatyta paskirtis .....	75
2 Saugos informacija .....	76
3 Konstrukcija.....	77
4 Veikimas.....	77
5 Priežiūra .....	78
6 Naudojimo apribojimai .....	78
7 Pritaikymo patarimai.....	79
8 Techniniai duomenys.....	80
9 Informacija apie užsakymą .....	81

# 1 Aprašas ir numatyta paskirtis

Jei nenurodyta kitaip, ši naudojimo instrukcija skirta gydytojui ir naudotojui.

Šiame dokumente terminu *priemonė* vadinamas klijuotas 30 mm skersmens užmaunamosios piramidės adapteris.

Perskaitykite šią instrukciją ir įsitikinkite, kad viską supratote, ypač visą saugos informaciją ir priežiūros instrukcijas.

## Taikymas

Priemonė skirta naudoti tik su apatinių galūnių protezų jungtimis, kurios skirtos vienam naudotojui.

Priemonė suteikia galimybę reguliuoti pakreipimo ir pasukimo kampus bei ilgį.

Priemonė tiekama trijų įprastų ilgių (220 / 420 / 520 mm), ją galima papildomai nupjauti, siekiant individualiai sulgiuoti su galūne ir sureguliuoti ilgį, kad jie tiktų galūnės netekusiam asmeniui.

## Ypatybės

- Lengva, tvirta aliuminio konstrukcija
- Galima rinktis iš trijų standartinių ilgių

## Mobilumo lygis

Priemonė tinka 1–4 mobilumo lygiams (taikomi svorio apribojimai, žr. *Techniniai duomenys*).

Žinoma, būna išimčių, todėl savo rekomendacijoje atsižvelgiame ir į galimas individualias naudojimo aplinkybes, tačiau visi sprendimai turi būti logiški ir visapusiškai pagrįsti.

### 1 mobilumo lygis

Naudodamas protezą geba perkelti svorį nuo vienos kojos ant kitos arba eiti lygiu paviršiumi vienodu greičiu. Tipinis ambulatorinis ligois, galintis vaikščioti su apribojimais arba be jų tik gyvenamojoje vietoje.

### 2 mobilumo lygis

Geba vaikščioti ir įveikti žemas aplinkos kliūtis, pvz., šaligatvio bortelius, laiptus arba nelygius paviršius. Tipinis ambulatorinis ligois, galintis su apribojimais vaikščioti ne tik gyvenamojoje vietoje.

### 3 mobilumo lygis

Geba vaikščioti kintamu greičiu. Tipinis ambulatorinis ligois, kuris gali vaikščioti ne tik gyvenamojoje vietoje, geba įveikti daugumą aplinkos kliūčių ir gali užsiimti profesine, terapine arba mankštos veikla, dėl kurios protezas turi būti naudojamas intensyviau, nei atliekant įprastus judesius.

### 4 mobilumo lygis

Geba vaikščioti su protezu tokiu būdu, kuris viršija elementaraus vaikščiojimo įgūdžius, pasižymi stipriais smūgiais, įtempiais ir dideliu energijos kiekiu. Tipiniai vaikų, aktyvių suaugusiųjų arba sportininkų su protezu poreikiai.

## Kontraindikacijos

Nėra žinomų kontraindikacijų, jei naudojama pagal šią instrukciją.

## Klinikinė nauda

- Priemonė naudojama kaip įtaisytoji blaudzos vamzdžio ir kitų protezo komponentų jungtis.

## 2 Saugos informacija



Šiuo įspėjamoju simboliu pažymėta svarbi saugos informacija, kuria būtina atidžiai vadovautis.



Apie bet kokius galūnės veikimo arba funkcionavimo pakitimus, pvz., per didelį laisvumą arba neįprastus garsus, būtina nedelsiant pranešti priežiūros specialistui.



Visada laikykitės už turėklų, kai leidžiatės laiptais žemyn ir kitais atvejais, kai turėklai įrengti.



Priemonės negalima ilgą laiką panardinti į vandenį ar naudoti duše, tačiau galima naudoti lauke. Priemonės naudojimas vandenyje turi atitikti sąlygas, nurodytas *Naudojimo apribojimais*.



Naudotojui neleidžiama koreguoti ar savavališkai keisti priemonės sąrankos.



Naudotoją reikia informuoti, kad pajutus diskomfortą būtina susisiekti su gydytoju.



Siekdami sumažinti susižalojimo riziką dėl varžtinių jungčių gedimo arba atsilaisvinimo, kaskart montuodami būtinai kruopščiai nuvalykite varžtų sriegį.



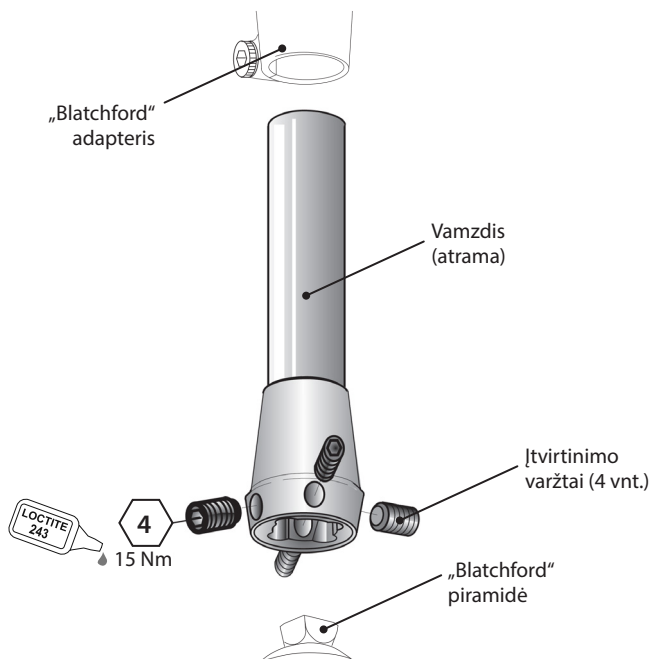
Varžtus visada užveržkite nurodytu sukimo momentu. Įtvirtinimo varžtų niekada nekeiskite kitokiais varžtais.

## 3 Konstrukcija

### Pagrindinės dalys

- Vamzdis 30 mm skersmens aliuminio vamzdis
- Įtvirtinimo varžtai Cinkuotas plienas (4 vnt.)

### Komponentų identifikavimas



## 4 Veikimas

Priemonė suteikia galimybę reguliuoti pakreipimo ir pasukimo kampus bei ilgį, siekiant individualiai sulygiuoti galūnę, kad ji tiktų galūnės netekusiam asmeniui. Kai įtvirtinimo varžtai yra užveržti ir tinkamai patepti „Loctite 243“, priemonė leidžia tvirtai sujungti dvi galūnės dalis.

Vamzdis siūlomas trijų standartinių ilgių. Tinkamai išmokytas protezuotojas ar specialistas gali nupjauti jį iki reikiamo ilgio pagal galūnės netekusio asmens poreikius. Tai leidžia patogiai priderinti ir tinkamai sulygiuoti, kad naudojamas protezas tinkamai veiktų.

## 5 Priežiūra

Priemonę reguliariai apžiūrėkite.

Apie bet kokius šios priemonės veikimo pakitimus, pvz., neįprastus garsus, padidėjusį standumą, ribotą ar per didelį sukimąsi arba didelį nusidėvėjimą, praneškite gydytojui ir (arba) priežiūros specialistui.

Informuokite gydytoją ir (arba) priežiūros specialistą apie pasikeitusį kūno svorį ir (arba) mobilumo lygį.

### Valymas

Drėgna šluoste ir švelniu muilu nuvalykite išorinius paviršius. NENAUDOKITE stiprių valiklių.

**Kiti nurodymai šiame skyriuje skirti tik gydytojui.**

Šiuos priežiūros darbus privalo atlikti tik kompetentingi darbuotojai (gydytojas arba tinkamos kvalifikacijos specialistas).

Toliau nurodytus reguliarios priežiūros darbus reikia atlikti ne rečiau nei kasmet.

- Patikrinkite, ar vamzdis neatsilaisvinęs. Jei atsilaisvinęs, išimkite, nuvalykite ir sumontuokite iš naujo.
- Patikrinkite, ar įtvirtinimo varžtai ties vamzdžio veržiklio adapteriu tinkamai užveržti. Jeigu laisvi, išsukite, nuvalykite, užtepkite „Loctite 243“ ir užveržkite tinkamu sukimo momentu; žr. skyrių *Konstrukcija*.
- Patikrinkite, ar nėra defektų, neleidžiančių priemonei tinkamai veikti.

Naudotojas turi perskaityti ir suprasti saugos ir naudotojui skirtą priežiūros informaciją.

Jei ši priemonė naudojama ekstremaliai veiklai, reikia pakoreguoti priežiūros darbų lygį ir intervalą – jei reikia, kreipkitės dėl rekomendacijų ir techninės pagalbos, kad galėtumėte sudaryti naują priežiūros planą pagal aktyvumo dažnumą ir pobūdį. Planą turi nustatyti tinkamos kvalifikacijos asmuo, atlikdamas vietinį rizikos vertinimą.

## 6 Naudojimo apribojimai

### Numatyta naudojimo trukmė

Reikia atlikti vietinį rizikos vertinimą ir įvertinti aktyvumą bei naudojimą.

### Sunkių daiktų kėlimas

Leidžiamas naudotojo svoris ir aktyvumas priklauso nuo nurodytų ribų.

Galimybė naudotojui nešti sunkius daiktus turi būti pagrįsta vietiniu rizikos vertinimu.

### Aplinka

Saugokite priemonę nuo koroziją sukeliančių medžiagų, pvz., vandens, rūgščių ir kitų skysčių. Taip pat venkite aplinkos, kurioje yra abrazyvinių medžiagų, pvz., smėlio, nes jos gali sukelti pirmalaikį nusidėvėjimą.

Naudokite tik nuo  $-15^{\circ}\text{C}$  iki  $50^{\circ}\text{C}$  temperatūroje.



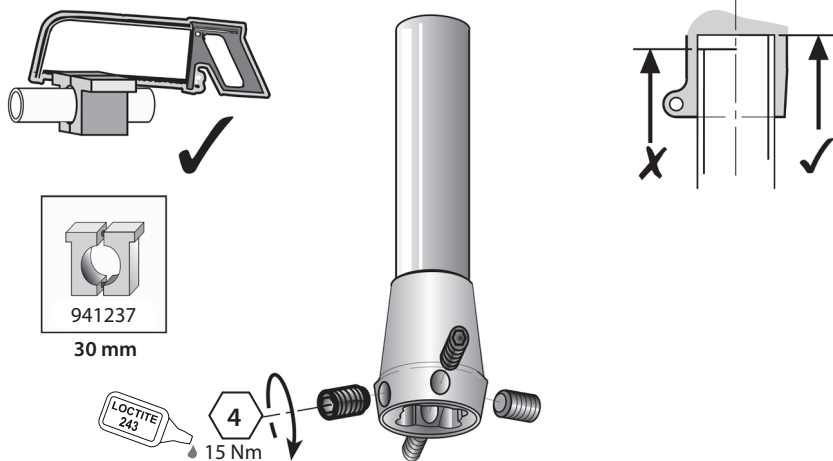
Tinkama naudoti lauke

## 7 Pritaikymo patarimai

Nurodymai šiame skyriuje skirti tik gydytojui.

### Nupjovimas iki reikiamo ilgio

Vamzdį galima nupjauti iki reikiamo ilgio (žr. 8 skyriaus dalį *Derinimo ilgis*). Priemonė turi būti nupjauta statmenai, turi būti pašalintos aštrios briaunos.



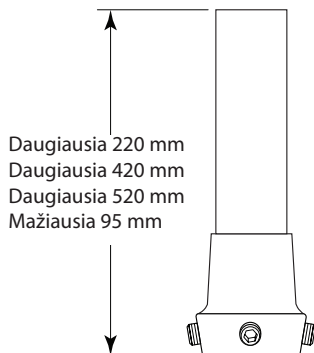
Požymis	Sprendimas
Pasikartojantys garsai, sklindantys iš sandūros tarp vamzdžio ir adapterio.	Patikrinkite, ar vamzdžio galas nupjautas statmenai. Užtepkite „Loctite 243“ ir užveržkite įtvirtinimo varžtus tinkamu sukimo momentu.
Priemonė pasislenka iš savo vietos.	Naudotojas nebegali naudoti priemonės, kol ji bus sureguliuota, pataisyta arba pakeista.

## 8 Techniniai duomenys

Darbinės ir laikymo temperatūros diapazonas	nuo -15 °C iki 50 °C
Komponento svoris	
220 mm ilgio	213 g
420 mm ilgio	362 g
520 mm ilgio	420 g
Mobilumo lygis	1–4
Didžiausias naudotojo svoris	100 kg / 1–4 125 kg / 1–3
Tvirtinimo tipas	Proksimalinis – užmaunamoji piramidė („Blatchford“) Distalinis – $\varnothing 30$ mm vamzdis
Reguliavimo diapazonas	360° sukimas apie ašį $\pm 7^\circ$ posvyris nuo vertikalios padėties
Ilgis	220 / 420 / 520 mm

### Derinimo ilgis

Priemonę galima nupjauti iki reikiamo ilgio. Apdildykite nupjauto vamzdžio galą sulig pjovimo šablonu ir pašalinkite aštrias briaunas.



### Laikymas ir priežiūra

Sandėliuoti ilgą laiką galima sausoje, kambario temperatūros patalpoje.



## 9 Informacija apie užsakymą

Priemonė	Dalies numeris
Klijuotas piramidės (užmaunamosios) adapteris – 30 mm skersmens, 220 mm ilgio	739052
Klijuotas piramidės (užmaunamosios) adapteris – 30 mm skersmens, 420 mm ilgio	739053
Klijuotas piramidės (užmaunamosios) adapteris – 30 mm skersmens, 520 mm ilgio	739054

### Atsakomybė

Gamintojas rekomenduoja naudoti priemonę tik nurodytomis sąlygomis ir numatytais tikslais. Priemonę būtina prižiūrėti vadovaujantis kartu su ja pateikta naudojimo instrukcija. Gamintojas neatsako už jokiais neigiamas pasekmes, kurias sukėlė gamintojo nepatvirtinti komponentų deriniai.

### CE atitikties

Šis gaminys atitinka Europos reglamento (ES) 2017/745 dėl medicinos priemonių reikalavimus. Vadovaujantis klasifikavimo taisyklėmis, nurodytomis reglamento VIII priede, šis gaminys priskiriamas I klasės priemonėms. ES atitikties deklaraciją galima atsisiųsti šioje svetainėje: [www.blatchford.co.uk](http://www.blatchford.co.uk)



Medicinos priemonė



Vienas pacientas –  
daugkartinis naudojimas

### Suderinamumas

Derinimas su „Blatchford“ gaminiais patvirtintas remiantis bandymais, įskaitant konstrukcijos bandymą, atliktais pagal susijusius standartus ir Medicinos priemonių reglamentą (MPR), matmenų suderinamumu ir stebimomis eksploatacinėmis savybėmis.

Derinimas su alternatyviais CE ženklų pažymėtais gaminiais turi būti atliekamas atsižvelgiant į gydytojo atliktą dokumentuotą vietinį rizikos vertinimą.

### Garantija

Priemonei suteikiama 24 mėnesių garantija.

Naudotojas turi žinoti, kad dėl pakeitimų ar modifikacijų, kurie nėra aiškiai patvirtinti, gali būti panaikinta garantija, naudojimo licencijos ir išimty.

Dabartinį visą garantijos pareiškimą žr. „Blatchford“ svetainėje.

### Pranešimas apie rimtus incidentus

Jei mažai tikėtina atveju įvyktų rimtas incidentas, susijęs su šia priemone, apie jį reikia pranešti gamintojui ir kompetentingai nacionalinei institucijai.

### Su aplinkosauga susiję aspektai

Šis gaminys pagamintas iš perdirbamos medžiagos. Kai įmanoma, komponentus reikia atiduoti perdirbti pagal vietos atliekų tvarkymo reglamentus.

### Pakuotės etiketės išsaugojimas

Gydytojui rekomenduojama išsaugoti pakuotės etiketę kaip pateiktos priemonės įrodymą.

**Prekių ženklų patvirtinimo informacija**

„Blatchford“ yra „Blatchford Products Limited“ registruotasis prekių ženklas.

**Registruotas gamintojo adresas**

Blatchford Products Limited, Lister Road, Basingstoke RG22 4AH, UK.

Sisukord .....	83
1 Kirjeldus ja kasutusotstarve .....	84
2 Ohutusteave.....	85
3 Konstruksioon .....	86
4 Otstarve .....	86
5 Hooldus.....	87
6 Kasutuspiirangud.....	87
7 Sobitamisinõuanded.....	88
8 Tehnilised andmed .....	89
9 Tellimisteave.....	90

# 1 Kirjeldus ja kasutusotstarve

Kui pole öeldud teisiti, on käesolev kasutusjuhend mõeldud proteesimeistrile ja kasutajale.

Termin *seade* viitab käesolevas dokumendis pesapüramiidadapterile koos püsivalt ühendatud 30 mm läbimõõduga toruga.

Lugege käesolev juhend tervenisti läbi ja tehke see endale selgeks. Pöörake erilist tähelepanu ohutusteabele ja hooldusjuhistele.

## Kasutamine

Seade on mõeldud kasutamiseks üksnes osana alajäsemeproteesist ühe kasutaja poolt.

Seade võimaldab reguleerida kalde- ja pöördenurka ning pikkust.

Seade on saadaval kolmes standardpikkuses (220/420/520 mm) ning seda võib lühemaks lõigata, et see joondumuse ja pikkuse reguleerimiseks patsiendile sobivaks seadistada.

## Omadused

- Kerge ja tugev alumiiniumkonstruktsioon
- Saadaval kolmes standardpikkuses

## Aktiivsusgrupp

Seade sobib aktiivsusgruppide 1–4 jaoks (järgida tuleb kehakaalu piiranguid, vt *Tehnilised andmed*). Loomulikult on erandeid ja hoolimata meie soovitudest tuleb alati kaaluda iga konkreetse olukorra individuaalseid asjaolusid, kuid iga otsuse taga peab olema selge ja ammendav põhjendus.

### Aktiivsusgrupp 1

Patsient on suuteline või võimeline kasutama proteesi liikumiseks või kõndimiseks tasasel pinnal muutumatu kõnnikiirusega. Iseloomustab patsienti, kes suudab kõndida vaid lühikeste sammudega või aeglase kõnnikiirusega.

### Aktiivsusgrupp 2

Patsient on suuteline või võimeline kõndima ning iseseisvalt ületama madalamaid igapäevasest keskkonnast tulenevaid takistusi (äärekivid, trepid või ebatasased pinnad). Iseloomustab patsienti, kes suudab kõndida lühiajaliselt kiirema tempoga.

### Aktiivsusgrupp 3

Patsient on suuteline või võimeline kõndima muutuva kõnnikiirusega. Iseloomustab patsienti, kes on suuteline kõndima ka kiire kõnnikiirusega, ületama enamikku igapäevasest keskkonnast tulenevatest takistustest ning võib tegeleda kutse-, teraapia- või treeningtegevustega, mis seavad proteesile lihtsalt liikumise abistamisest suuremad nõudmised.

### Aktiivsusgrupp 4

Patsient on suuteline või võimeline kõndima proteesiga viisil, mis ületab elementaarseid kõndimisoskusi ning nõuab suuremat löögi- või pingetaluvust või energiataset. Iseloomustab lapse, aktiivse täiskasvanu või sportlase proteetilisi vajadusi.

## Vastunäidustused

Teadaolevaid vastunäidustusi pole, kui kasutada kooskõlas käesoleva juhendiga.

## Kliiniline kasu

- Toimib integreeritud vahelülina sääretoru ja teiste proteesi komponentide vahel.

## 2 Ohutusteave



Selle hoiatussümboliga on esile tõstetud oluline ohutusteave, mida tuleb hoolikalt järgida.



Kui jäsemeproteesi omadused või talitlus peaks muutuma (nt liigne lõtk või ebatavalised helid), tuleks sellest viivitamatult teenusepakkujale teada anda.



Trepist alla kõndides hoidke kinni käsipuust (ja alati ka muudel juhtudel, kui see on olemas).



Seade pole mõeldud pikaajaliseks vees ega duši all kasutamiseks, kuid seda võib kasutada õues. Seadme vees kasutamisel järgige kindlasti tingimusi, mis on toodud jaotises *Kasutuspiirangud*.



Kasutaja ei tohi seadme seadistust ise reguleerida ega muuta.



Kui kasutaja seisund muutub, peaks ta sellest viivitamatult proteesimeistrile teada andma.



Poltliidete purunemisest või lõdvenemisest põhjustatud kehavigastuste ohu vähendamiseks puhastage kindlasti enne iga poldi paigaldamist põhjalikult keermeid.



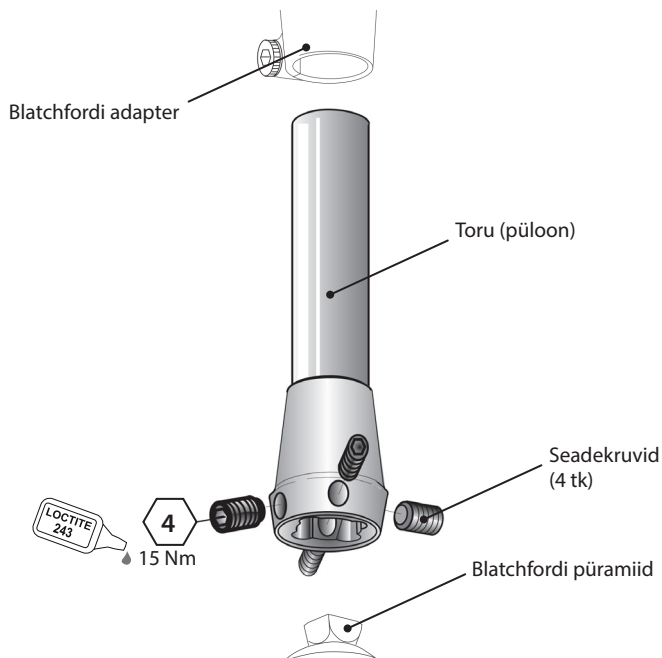
Pingutage poldid alati nõuetekohase pingutusmomendiga. Ärge asendage ühtki seadekrugi kunagi mõne teise kruviga.

## 3 Konstruktsioon

### Peamised osad

- Toru 30 mm läbimõõduga alumiiniumtoru
- Seadekruvid Tsingitud teras (4 tk)

### Seadme osad



## 4 Otstarve

Seadet võimaldab reguleerida kalde- ja pöördenurka ning pikkust, et jäseme joondumus patsiendile sobivaks seada. Kui seadekruvid on paigaldatud, kasutades nõuetekohast pingutusmomenti ja keermeliimi Loctite 243, ühendab seade kindlalt jäsemeproteesi kaks osa.

Toru on saadaval kolmes standardpikkuses ning asjakohase väljaõppega proteesimeister/tehnik peab toru patsiendile sobivasse mõõtu lõikama. See tagab hea istumise ja õige joondumuse, et protees toimiks kasutamisel õigesti.

## 5 Hooldus

Seadet tuleb regulaarselt visuaalselt kontrollida.

Kui seadme omadused peaksid muutuma (nt ebatavalised helid, jäikuse suurenemine, piiratud/liigne pöörlemine või märkimisväärne kulumine), teatage sellest proteesimeistrile/teenusepakkujale.

Teavitage proteesimeistrit/teenusepakkujat igasugustest kehakaalu ja/või aktiivsusgrupi muutumistest.

### Puhastamine

Kasutage välispindade puhastamiseks niisket lappi ja pehmetoimelist seepi. ÄRGE kasutage tugevatoimelisi puhastusvahendeid.

### *Käesoleva jaotise ülejäänud juhised on mõeldud ainult proteesimeistrile.*

Neid hooldustöid võib teha ainult pädev spetsialist (proteesimeister või asjakohase väljaõppega tehnik).

Järgmised korralise hoolduse toimingud tuleb teha vähemalt kord aastas.

- Kontrollige toru pingust. Kui see on lödvenenud, eemaldage, puhastage ja paigaldage tagasi.
- Kontrollige toru fiksaatoradapteri seadekruide pingust. Kui need on lödvenenud, eemaldage ja puhastage, kandke nendele keermeliimi Loctite 243 ja pingutage nõuetekohase momendiga, vt jaotist *Konstruksioon*.
- Kontrollige nõuetekohast talitlust mõjutavate defektide suhtes.

Veenduge, et kasutaja oleks ohutusalase ja kasutajale suunatud hooldusteabe täielikult läbi lugenud ning endale selgeks teinud.

Kui seadet kasutatakse äärmiselt intensiivselt, tuleb hooldustööde ulatus ja välbad üle vaadata ning vajadusel küsida nõu ja tehnilist tuge, et kavandada uus hooldusgraafik, mis vastab intensiivsete tegevuste sagedusele ja olemusele. Selle tarbeks peaks asjakohase kvalifikatsiooniga spetsialist koostama kohaliku riskianalüüsi.

## 6 Kasutuspiirangud

### Kavandatud kasutisiga

Koostada tuleks kohalik riskianalüüs, mis arvestab aktiivsust ja kasutust.

### Raskuste tõstmine

Kasutaja kehakaal ja aktiivsus peab jääma nimetatud piiridesse.

Kasutajale lubatud raskuste tõstmise piirid peaksid põhinema kohalikul riskianalüüsil.

### Keskfond

Ärge laske seadmel puutuda kokku korrodeerivate ainetega (nt vesi, happed jm vedelikud). Vältige ka abrasiivseid (nt liiva sisaldavaid) keskfondi, sest need võivad põhjustada enneaegset kulumist.

Kasutamiseks üksnes vahemikus  $-15\text{ °C}$  kuni  $50\text{ °C}$ .



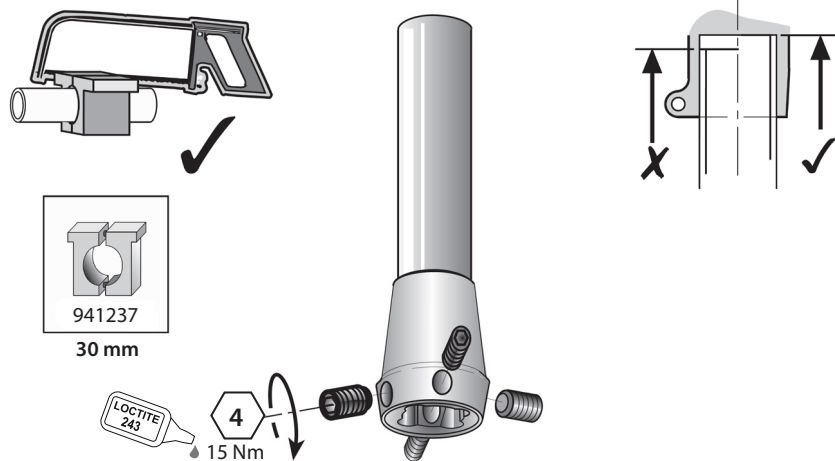
Lubatud kasutada õues

## 7 Sobitamiskoostanded

*Käesoleva jaotise juhised on mõeldud ainult proteesimeistritele.*

### Mõõtu lõikamine

Toru võib soovitud mõõtu lõigata (vt *Sobituspikkus* jaotises 8). Veenduge, et seadme ots oleks lõigatud täisnurkselt ning teravad lõikeservad ümaraks lihvitud.



Sümptom	Lahendus
Korduv heli toru/adapteri liitekohas.	Veenduge, et toru ots oleks lõigatud täisnurkselt. Kandke keermele keermeliimi Loctite 243 ja pingutage seadekruvid nõuetekohase momendiga.
Seade liigub seadistatud asendist välja.	Kasutaja ei tohi seadet kasutada, kuni see on reguleeritud, remonditud või asendatud.

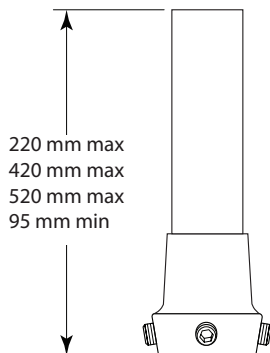


## 8 Tehnilised andmed

Kasutamise- ja hoiustamistemperatuur:	-15 °C kuni 50 °C
Komponendi mass:	
220 mm pikk	213 g
420 mm pikk	362 g
520 mm pikk	420 g
Aktiivsusgrupp:	1–4
Kasutaja max kehakaal:	100 kg / 1–4 125 kg / 1–3
Kinnituse tüüp:	proksimaalne – pesapüramiid (Blatchford) distaalne – $\varnothing$ 30 mm toru
Reguleerimisulatus:	360° aksiaalne pöörlemine $\pm$ 7° vertikaalne kalle
Pikkus:	220/420/520 mm

### Sobituspikkus

Seadme võib soovitud mõõtu lõigata. Viilige toru ots lõikerakise suhtes täisnurkseks ning lihvide teravad servad ümaraks.



### Hoiustamine ja käitlemine

Pikaajalisel hoiustamisel veenduge, et toode oleks kaitstud niiskuse eest ja toatemperatuuril.

## 9 Tellimisteave

Seade	Tootekood
Püramiidadapter püsivalt kinnitatud toruga (pesa) – 30 mm läbimõõt, 220 mm pikk	739052
Püramiidadapter püsivalt kinnitatud toruga (pesa) – 30 mm läbimõõt, 420 mm pikk	739053
Püramiidadapter püsivalt kinnitatud toruga (pesa) – 30 mm läbimõõt, 520 mm pikk	739054

### Vastutus

Tootja soovib kasutada seadet üksnes nimetatud tingimustes ja kasutusotstarbel. Seadet tuleb hooldada kooskõlas seadme komplektis oleva kasutusjuhendiga. Tootja ei vastuta mingisuguste kõrvaltoimete eest, mis on põhjustatud komponentide kombinatsioonist, mida tootja pole heaks kiitnud.

### CE-vastavus

Toode on kooskõlas Euroopa meditsiiniseadmete määruse EL 2017/745 nõuetega. Toode on liigitatud I klassi seadmeks vastavalt määruse VIII lisas toodud liigitamisreeglitele. Euroopa Liidu vastavusdeklaratsiooni saate alla laadida järgmiselt aadressilt: [www.blatchford.co.uk](http://www.blatchford.co.uk)



Meditsiiniseade



Üks patsient – mitu kasutuskorda

### Ühilduvus

Kasutamine koos Blatchfordi toodetega on heaks kiidetud, tuginedes kooskõlas asjaomaste standardite ja meditsiiniseadmete direktiiviga tehtud katsetele (sh konstruktsioonikatse, mõõtmete ühilduvus ja toimivuse jälgimine praktikas).

Kasutamine koos mõne teise CE-märgisega tootega nõuab eelnevat dokumenteeritud kohalikku riskianalüüsi proteesimeistri poolt.

### Garantii

Seadmel on 24-kuuline garantii.

Kasutaja peab olema teadlik sellest, et muudatused või täiendused, milleks pole saadud selgesõnalist luba, võivad garantii, kasutusloa ja vabastused kehtetuks muuta.

Kõiki kehtivaid garantiitingimusi vt Blatchfordi veebisaidilt.

### Ohujuhtumitest teatamine

Seadmega seotud ohujuhtumitest, mis on äärmiselt ebatõenäolised, tuleks teavitada tootjat ja oma riigi pädevat asutust.

### Keskkonnaaspektid

Toode on valmistatud ringlussevõetavast materjalist. Kui võimalik, tuleks komponendid kooskõlas kohalike jäätmeäitluseeskirjadega ringlusse võtta.

### Pakendi etiketi säilitamine

Proteesimeister peaks pakendi etiketi alles hoidma ning säilitama seda seadme tarnimise dokumendina.

**Kaubamärgid**

Blatchford on ettevõtte Blatchford Products Limited registreeritud kaubamärk.

**Tootja registriaadress**

Blatchford Products Limited, Lister Road, Basingstoke RG22 4AH, Ühendkuningriik.

[blatchford.co.uk/distributors](http://blatchford.co.uk/distributors)

**Blatchford Products Ltd.**

Unit D Antura  
Kingsland Business Park  
Basingstoke  
RG24 8PZ  
UNITED KINGDOM  
Tel: +44 (0) 1256 316600  
Fax: +44 (0) 1256 316710  
Email: [customer.service@blatchford.co.uk](mailto:customer.service@blatchford.co.uk)  
[www.blatchford.co.uk](http://www.blatchford.co.uk)

**Blatchford Inc.**

1031 Byers Road  
Miamisburg  
Ohio 45342  
USA  
Tel: +1 (0) 800 548 3534  
Fax: +1 (0) 800 929 3636  
Email: [info@blatchfordus.com](mailto:info@blatchfordus.com)  
[www.blatchfordus.com](http://www.blatchfordus.com)

**Blatchford Europe GmbH**

Am Prime-Parc 4  
65479 Raunheim  
GERMANY  
Tel: +49 (0) 9221 87808 0  
Fax: +49 (0) 9221/87808 60  
Email: [info@blatchford.de](mailto:info@blatchford.de)  
[www.blatchford.de](http://www.blatchford.de)

Email: [contact@blatchford.fr](mailto:contact@blatchford.fr)  
[www.blatchford.fr](http://www.blatchford.fr)

**Endolite India Ltd.**

A4 Naraina Industrial Area  
Phase - 1  
New Delhi  
INDIA – 110028  
Tel: +91 (011) 45689955  
Fax: +91 (011) 25891543  
Email: [endolite@vsnl.com](mailto:endolite@vsnl.com)  
[www.endoliteindia.com](http://www.endoliteindia.com)

**Ortopro AS**

Hardangervegen 72  
Seksjon 17  
5224 Nesttun  
NORWAY  
Tel: +47 (0) 55 91 88 60  
Email: [post@ortopro.no](mailto:post@ortopro.no)  
[www.ortopro.no](http://www.ortopro.no)



Blatchford Europe GmbH  
Am Prime-Parc 4  
65479 Raunheim Germany

