

AqualimbTF

Instructions for Use

AQTF22L-AQTF27R

EN	Instructions for Use	2
DA	Brugsanvisning	15
NO	Bruksanvisning	28
FI	Käyttöohjeet	41
SV	Bruksanvisning	54
RU	Инструкция протезиста	67
ZH	使用说明	80
AR	إرشادات الاستخدام	93



Contents	2
1 Description and Intended Purpose	3
2 Safety Information	4
3 Construction	5
4 Function.....	6
5 Maintenance	7
6 Limitations on Use	8
7 Assembly Instructions	9
8 Fitting Instructions.....	10
9 Bench Alignment.....	11
10 Dynamic Alignment	12
11 Technical Data	12
12 Ordering Information	13

1 Description and Intended Purpose

These Instructions for Use are intended for use by the practitioner and user unless otherwise stated.

The term *device* is used throughout these instructions for use to refer to AqualimbTF.

Please read and ensure you understand all instructions for use, in particular all safety information and maintenance instructions.

Application

This device is to be used exclusively as part of a lower limb prosthesis.

Intended for a single user.

This device is a prosthetic knee designed for above-knee users.

This device is water-resistant and is intended for use **only** as a shower limb.

Features

- Geometrically stable 4-bar knee
- Hand operated knee lock (HOKL)
- Corrosion resistance

Activity Level

This device is for Activity Level 1 and 2 users. Activity Level 3 and 4 users may only use this device if they limit their activities to Activity Level 2.

Activity Level 1

Has the ability or potential to use a prosthesis for transfers or ambulation on level surfaces at fixed cadence. Typical of the limited and unlimited household ambulator.

Activity Level 2

Has the ability or potential for ambulation with the ability to traverse low-level environmental barriers such as curbs, stairs, or uneven surfaces. Typical of the limited community ambulator.

Activity Level 3

Has the ability or potential for ambulation with variable cadence. Typical of the community ambulator who has the ability to traverse most environmental barriers and may have vocational, therapeutic, or exercise activity that demands prosthetic utilization beyond simple locomotion.

Activity Level 4

Has the ability or potential for prosthetic ambulation that exceeds basic ambulation skills, exhibiting high impact, stress, or energy levels. Typical of the prosthetic demands of the child, active adult, or athlete.

Contraindications

- This device should not be used for any activity above Activity Level 2.
- Users with insufficient voluntary control should only use the device locked.
- Not for use by transtibial users.

Clinical Benefits

- Allows the user to wear their prosthesis whilst showering and in wet environments.

2 Safety Information



This warning symbol highlights important safety information which must be followed carefully.



Any changes in performance (for example 'play', instability, lock not engaging), or changes in swing resistance should immediately be reported to your service provider.



Take all necessary safety precautions and due care on wet and slippery surfaces.



The user should be advised to contact their practitioner if their condition changes.



The user must not adjust or tamper with the setup of the device.



Avoid exposure to extreme heat and/or cold.



The device is not suitable for extreme sports, running or cycle racing, ice and snow sports, extreme slopes and steps. Any such activities undertaken are done so completely at the users' own risk.



Be aware of finger trap hazard at all times



Assembly, maintenance and repair of the device must only be carried out by a suitably qualified practitioner.



The freedom of swing of the knee will vary slightly between when the knee is dry and when it is wet and /or contaminated with soap for example.



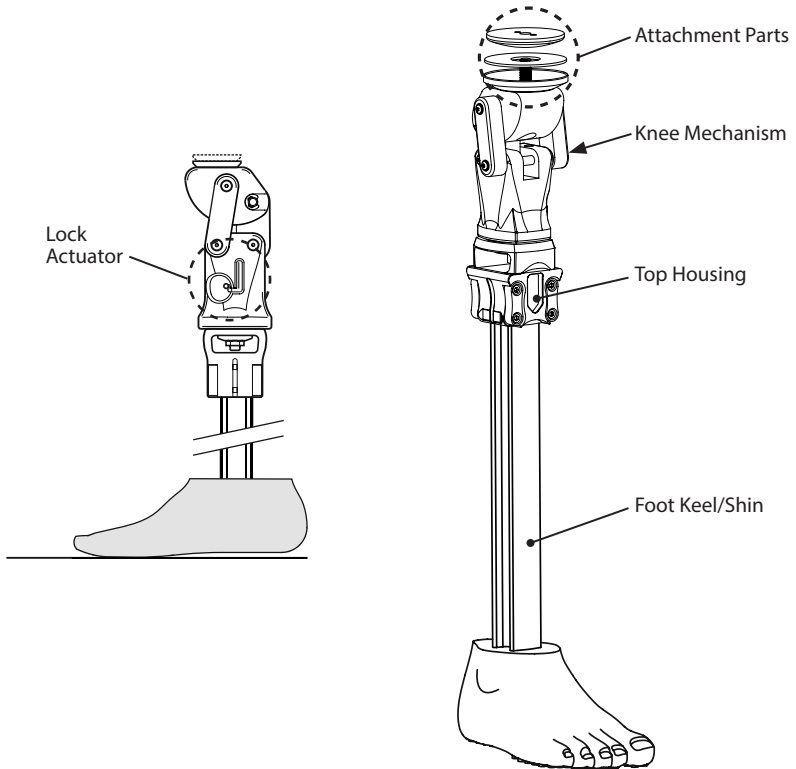
The device is designed for prolonged submersion and suitable for immersion in fresh water only. Ensure any use of the device in water complies with the conditions given in Section 6 *Limitations on Use*.

3 Construction

Principal Parts

- Knee Mechanism Acetal homopolymer, stainless steel
- Top Housing Glass fiber reinforced nylon
- Foot Keel/Shin Glass fiber reinforced nylon/PU
- Attachment Parts Stainless steel/ aluminum alloy

Component Identification



4 Function

The knee has a polycentric design comprising pivots connecting a chassis to a main body via three link arms. A hand-operated spring-loaded pin operates within a latched slot in the body. The pin may be located to engage into the chassis and lock the knee in full extension. A housing is bolted to the distal aspect of the knee into which is clamped a foot/shin component. The shin may be shortened to suit the user. The sole of the foot features an anti-slip tread pattern.

Knee Lock Operation

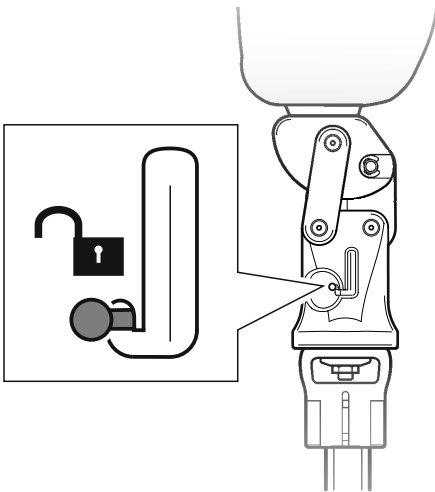


If lock mode is required ensure that the lock actuator is fully engaged before walking or showering.

The lock is hand operated. To lock the knee release the actuator from the down position, fully extend the knee and push the actuator up to the top position and ensure the actuator is fully engaged as shown.

Knee Unlocked

Actuator in down position

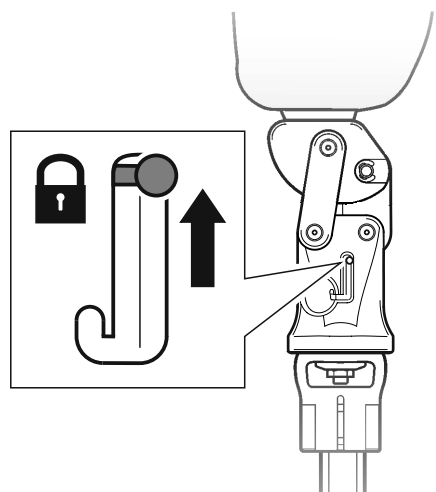


Knee shown in free mode.

The lock will not engage at full knee extension.

Knee Locked

Actuator fully engaged in top position



Knee shown with lock in place.

5 Maintenance

Visually check the device regularly.

Report any changes in performance of this device to the practitioner/service provider e.g. unusual noises, increased stiffness or restricted/excessive rotation, significant wear or excessive discoloration from long term exposure to UV.

Inform the practitioner/service provider of any changes in body weight and/or activity level.

Cleaning

Use a damp cloth and mild soap to clean outside surfaces. **Do not** use aggressive cleansers, wipe dry.

The remaining instructions in this section are for practitioner use only.

This maintenance must be carried out only by competent personnel (practitioner or suitable trained technician).

The following routine maintenance is to be carried out at least annually:

- Check the security of the proximal attachment nut and distal alignment bolt.
- Check for satisfactory function of knee lock and freedom of swing.
- Visually check for wear. Some surface damage may occur after a period of use; this does not affect the function or strength of the device.

The user should be advised:

- Any changes in performance of this device must be reported to the practitioner.

Changes in performance may include:

- 'Play' in moving parts
- Lock not engaging
- Instability

Check condition of knee bumper and replace if necessary.

Ensure the user has read and understood all safety and user-level maintenance information.

Advise the user that a regular visual check of the device is recommended and signs of wear that may affect function (e.g. significant wear or excessive discoloration from long term exposure to UV) and/or any changes in performance should be reported to their service provider.

Advise the user to inform the practitioner/service provider of any changes in body weight and/or activity level.

6 Limitations on Use

Intended Life

Service life of the product is covered by the warranty period — a local risk assessment should be carried out based upon activity and usage.

Lifting Loads

User weight and activity is governed by the stated limits. Load carrying by the user should be based on a local risk assessment.

Environment

This device is waterproof up to a maximum depth of 1 meter.

To prevent damage or wear, thoroughly rinse this device with fresh water after use in the following environments:

- Abrasive environments, such as those that contain sand or grit;
- Salt or chlorinated water.

Finish this device to prevent water ingress (see *Assembly Instructions*). If water enters it, invert it to allow the water to drain, then leave it to dry.



Exclusively for use between -15 °C and 50 °C (5 °F and 122 °F).




Suitable for submersion

7 Assembly Instructions

The instructions in this section are for practitioner use only.

-  Use appropriate health and safety equipment at all times including extraction facilities.
-  Be aware of finger trap hazard at all times.

1



Manufacture the socket using the appropriate Blatchford single bolt former. Cut a 27 mm diameter hole in distal end of socket. Place socket plate inside socket. Assemble alignment parts supplied. Minimum socket thickness 6 mm.


2



Apply Loctite 243 and torque the proximal alignment bolt to 35 Nm. Use a peg spanner (940060) to prevent the socket plate from rotating.

8
35 Nm

3



Apply Loctite 243 to bolt threads. Assemble the distal top housing using the nut and washer as shown and torque tighten to 35 Nm after alignment.

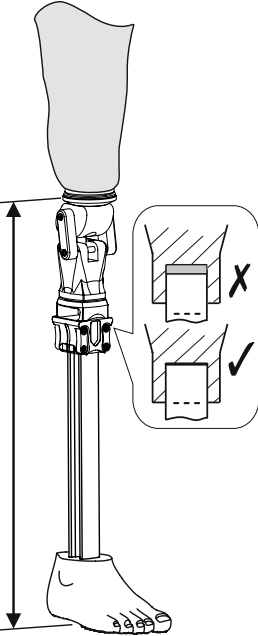
4

It may be easier to fit the shin before assembling the top housing. Ensure full engagement of shin, see diagram Section *Bench Alignment*.

8 Fitting Instructions

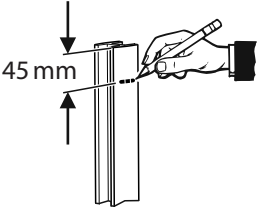
The instructions in this section are for practitioner use only.

1



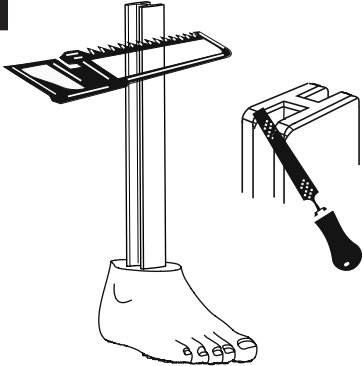
Fit shin to housing ensuring full engagement. Measure length to determine amount to be cut from shin.

2



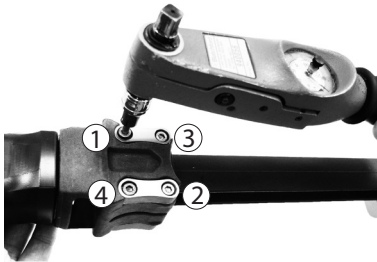
Determine final cut length required.

3



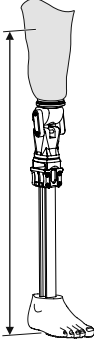
Remove shin from housing, cut to length and reassemble then check measurement.

4



Tighten clamp screws evenly, applying a torque of 5 Nm at least twice to each screw. Example order of tightening shown to evenly spread load.

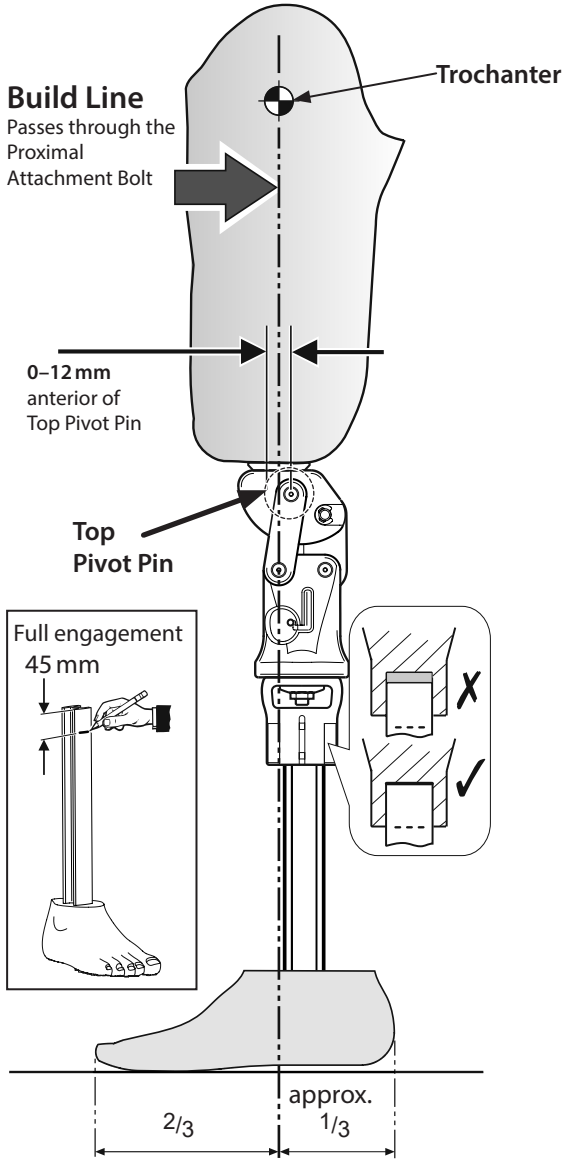
5



Check length and alignment. Finalise the screw settings during dynamic alignment.

9 Bench Alignment

The instructions in this section are for practitioner use only.



10 Dynamic Alignment

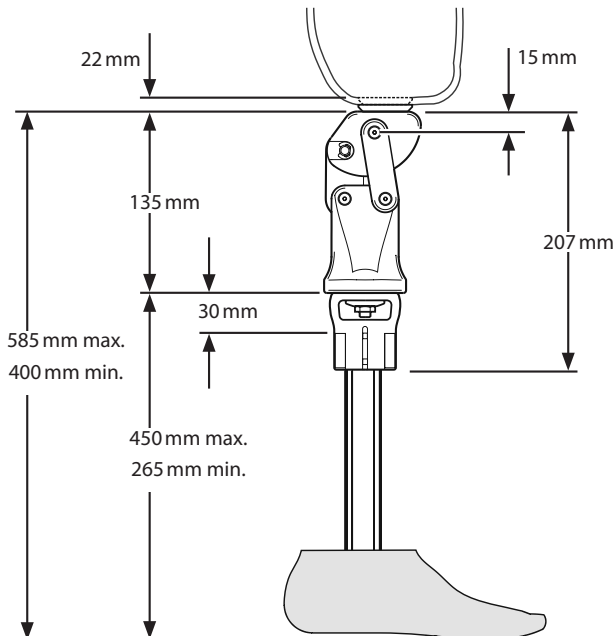
Set up as shown in *Bench Alignment* if the user requires adjustment length, shift, rotation and angular adjustments are available by loosening, adjusting and re-tightening of distal and proximal alignment fixings.

Ensure after any adjustments are made, that the load line is not posterior to the top pivot pin.

11 Technical Data

Operating and Storage Temperature Range:	-15 °C to 50 °C 5 °F to 122 °F
Total Component Weight (<i>size 24</i>):	2 kg (4.4lb)
Activity Level:	1-2
Maximum User Weight:	100 kg
Proximal Alignment Attachment:	Blatchford single bolt alignment
Build Height: (See diagram below)	400–585 mm

Fitting Length



12 Ordering Information

Order Example

AQ	TF	25	L
	Transfemoral	Size	Side (L - left/R - right)

Available from size 22 to size 27:

AQTF22L–AQTF27R

e.g. AQTF25L, AQTF26R

Replacement Parts

Part	Part No.
Aqualimb TF Proximal Alignment Kit	169205
Knee Bumper	622310
Screw Proximal M10 x 55 ST STL	910420
Peg Spanner	940060

Liability

The manufacturer recommends using the device only under the specified conditions and for the intended purposes. The device must be maintained according to the instructions for use supplied with the device. The manufacturer is not liable for any adverse outcome caused by any component combinations that were not authorized by them.

CE Conformity

This product meets the requirements of the European Regulation EU 2017/745 for medical devices. This product has been classified as a class I device according to the classification rules outlined in Annex VIII of the regulation. The EU declaration of conformity certificate is available at the following internet address: www.blatchford.co.uk



Medical Device



Single Patient – multiple use

Compatibility

Combination with Blatchford branded products is approved based on testing in accordance with relevant standards and the MDR including structural test, dimensional compatibility and monitored field performance.

Combination with alternative CE marked products must be carried out in view of a documented local risk assessment carried out by a practitioner.

Warranty

This device is warranted for 24 months.

The user should be aware that changes or modifications not expressly approved could void the warranty, operating licenses and exemptions.

See the Blatchford website for the current full warranty statement.

Reporting of Serious Incidents

In the unlikely event of a serious incident occurring in relation to this device it should be reported to the manufacturer and your national competent authority.

Environmental Aspects

Where possible the components should be recycled in accordance with local waste handling regulations.

Retaining the Packaging Label

The practitioner is advised to keep the packaging label as a record of the device supplied.

Trademark Acknowledgements

Blatchford is a registered trademark of Blatchford Products Limited.

Manufacturer's Registered Address

Blatchford Products Limited, Lister Road, Basingstoke RG22 4AH, UK.

Indhold.....	15
1 Beskrivelse og tilsigtet formål	16
2 Sikkerhedsinformation.....	17
3 Konstruktion	18
4 Funktion.....	19
5 Vedligeholdelse	20
6 Begrænsninger i forbindelse med brugen.....	21
7 Monteringsanvisninger.....	22
8 Tilpasningsanvisninger	23
9 Bænkjustering	24
10 Dynamisk justering.....	25
11 Tekniske data	25
12 Bestillingsoplysninger	26

1 Beskrivelse og tilsigtet formål

Denne brugsanvisning er beregnet til brug for den praktiserende læge og brugeren, medmindre andet er angivet.

Udtrykket *anordning* anvendes i hele brugsanvisningen og henviser til AqualimbTF.

Gennemlæs venligst hele brugsanvisningen og sørg for, at du forstår den, især alle anvisninger vedrørende sikkerhedsinformation og vedligeholdelse.

Anvendelse

Denne anordning må udelukkende anvendes som en del af en underbensprotese.

Beregnet til en enkelt bruger.

Denne anordning er en knæprotese, som er designet til brugere med en protese over knæet.

Denne anordning er vandresistent og er **udelukkende** beregnet til brug, når der tages brusebad.

Funktioner

- Geometrisk stabilt 4-leddet knæ
- Håndbetjent knælås (HOKL)
- Modstandsdygtig over for korrosion

Aktivitetsniveau

Denne anordning er beregnet til brugere med aktivitetsniveau 1 og 2. Brugere med aktivitetsniveau 3 og 4 må kun anvende denne anordning, hvis de begrænser deres aktiviteter til aktivitetsniveau 2.

Aktivitetsniveau 1

Har evnen eller potentialet til at bruge en protese til forflytninger eller gang på plane overflader med en jævn gangrytme. Typisk for en person, der bruger protesen til begrænset og ubegrænset gang indendørs.

Aktivitetsniveau 2

Har evnen eller potentialet til gang og kan krydse lave forhindringer i omgivelserne såsom kantsten, trappetrin eller ujævne overflader. Typisk for en person, der bruger protesen til begrænset og ubegrænset gang udendørs.

Aktivitetsniveau 3

Har evnen eller potentialet til gang med en skiftende gangrytme. Typisk for en person, der kan gå udendørs, kan krydse de fleste forhindringer i omgivelserne, og kan have erhvervsmæssig-, terapeutisk- eller træningsaktivitet, der kræver brug af protesen til andet end simpel bevægelse.

Aktivitetsniveau 4

Har evnen eller potentialet til at gå med en benprotese, der overgår almindelige gangfærdigheder og kan klare høje niveauer af nedslag, stres og energi. Typisk for barnets, den aktive voksnes eller atletens krav til en benprotese.

Kontraindikationer


- Denne anordning må ikke anvendes til aktiviteter over aktivitetsniveau 2.
- Brugere med utilstrækkelig frivillig kontrol bør kun anvende anordningen i låst tilstand.
- Må ikke anvendes af transtibiale brugere.


Kliniske fordele


- Gør det muligt for brugeren at bære protesen, når der tages brusebad og i våde miljøer.


2 Sikkerhedsinformation


 Dette advarselssymbol fremhæver vigtig sikkerhedsinformation, som skal følges nøje.


 Eventuelle ændringer i ydeevnen (f.eks. 'slør', ustabilitet, låsen går ikke i indgreb) eller ændringer i modstanden under svingfasen skal omgående rapporteres til serviceudbyderen.

 Alle nødvendige sikkerhedsforanstaltninger skal følges, og der skal udvises forsigtighed under brug på våde og glatte overflader.


 Brugeren bør rådes til at kontakte sin praktiserende læge, hvis hans eller hendes tilstand ændres.

 Brugeren må ikke justere eller ændre på opsætningen af anordningen.


 Undgå eksponering for ekstrem varme og/eller kulde.

 Anordningen er ikke egnet til ekstremsport, løb eller cykelløb, sportsudøvelse på is eller i sne, ekstreme hældninger og trappetrin. Alle slags aktiviteter af denne art er udelukkende på brugerens egen risiko.

 Vær til enhver tid opmærksom på risikoen for at få fingrene i klemme

 Montering, vedligeholdelse og reparation af anordningen må kun udføres af en kvalificeret praktiserende læge.

 Knæets bevægelighed i svingfasen vil variere lidt, afhængigt af om knæet f.eks. er tørt og vådt og/eller forurenet med sæbe.

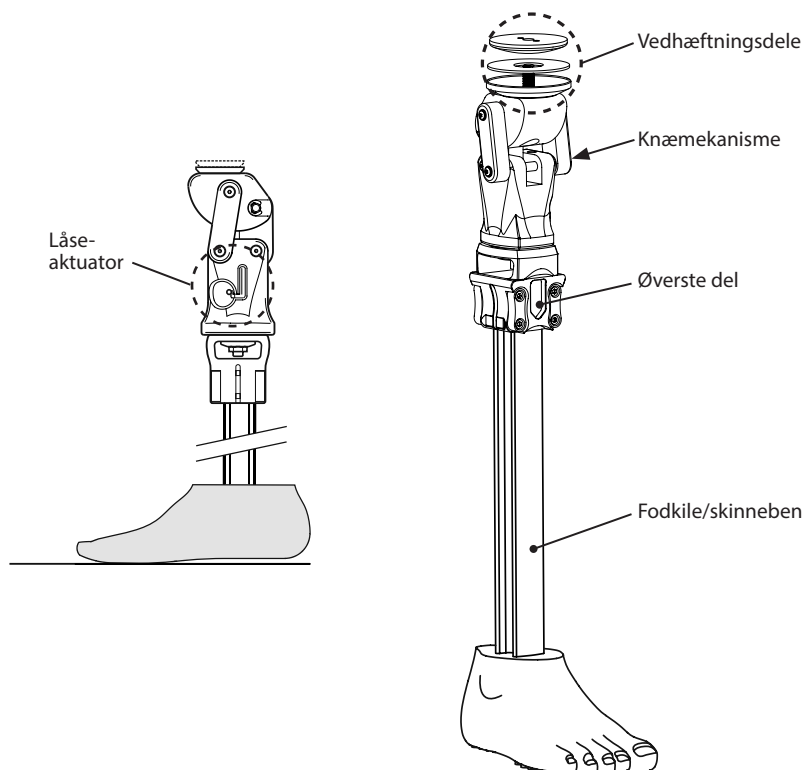
 Anordningen er designet til længerevarende nedsækning, men er udelukkende egnet til nedsækning i ferskvand. Sørg for, at enhver brug af anordningen i vand er i overensstemmelse med betingelserne i afsnit 6 *Begrænsninger i forbindelse med brug*.

3 Konstruktion

Vigtige dele

- Knæmekanisme acetal homopolymer, rustfrit stål
- Tophus glasfiberforstærket nylon
- Fodkile/skinneben glasfiberforstærket nylon/PU
- Vedhæftningsdele rustfrit stål/ aluminiumlegering

Komponentidentifikation



4 Funktion

Denne knæprotese har et polycentrisk design, der består af drejetapper, som forbinder et chassis til en hoveddel via tre koblingsarme. En håndbetjent fjederbelastet stift fungerer indeni en fastlåst rille i hoveddelen. Stiften kan være placeret, så den går i indgreb i chassiset og låser knæet under fuld ekstension. Et hus er boltet til den distale del af knæprotesen, hvor en fod-/skinnenskomponent er sat fast med en klemme. Skinnebenet kan afkortes, så det passer til brugeren. Fodens sål har skridsikker belægning.

Betjening af knælåsen

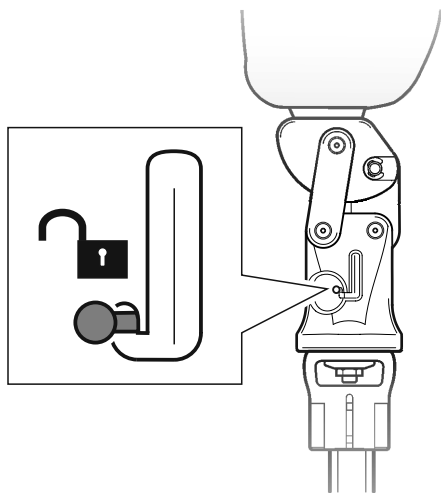


Hvis låsefunktion er påkrævet, skal det sikres, at låseaktuatoren er helt i indgreb, før den bruges til gang, eller når der tages brusebad.

Låsen er håndbetjent. Når knæet skal låses, tages aktuatoren ud af positionen Ned, knæet ekstenderes helt, og aktuatoren skubbes op i den øverste position. Sørg for, at aktuatoren er helt i indgreb, som vist.

Knæ låst op

Aktuator i positionen Ned

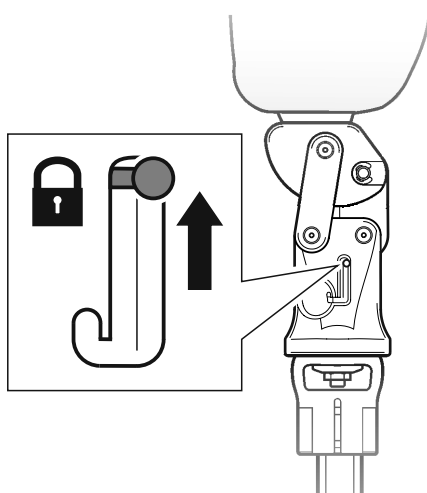


Knæ vist i fri modus

Låsen går ikke i indgreb, når knæet er helt ekstenderet.

Knæ låst

Aktuator helt i indgreb i øverste position



Knæ vist med lås i indgreb.

5 Vedligeholdelse

Efterse anordningen med jævne mellemrum.

Rapportér eventuelle ændringer i denne anordnings ydeevne til den praktiserende læge/serviceudbyderen, f.eks. mislyde, øget stivhed eller begrænset/overdreven rotation, betydelig slitage eller kraftig misfarvning på grund af langvarig eksponering for UV.

Informér den praktiserende læge/serviceudbyderen, hvis der er ændringer kropsvægt og/eller aktivitetsniveau.

Rengøring

Brug en fugtig klud og mild sæbe til at rengøre udvendige overflader. **Brug ikke** aggressive rengøringsmidler, skal aftørres med en klud.

De resterende anvisninger i dette afsnit er kun beregnet for den praktiserende læge.

Denne vedligeholdelse må kun udføres af kompetent personale (praktiserende læge eller uddannet tekniker).

Følgende rutinevedligeholdelse skal udføres mindst en gang om året:

- Kontrollér sikkerheden af den proksimale fastgørelsesmøtrik og den distale justeringsbolt.
- Kontrollér, at knælåsen og frihedsgraden i svinget fungerer tilfredsstillende.
- Efterse for slid. Der kan opstå overfladiske skader efter en brugsperiode. Dette påvirker ikke anordningens funktion eller styrke.

Brugeren skal rådgives om at:

- Eventuelle ændringer i denne anordnings ydeevne skal rapporteres til den praktiserende læge.

Ændringer i ydeevnen kan omfatte:

- 'Slør' i bevægelige dele
- Lås går ikke i indgreb
- Ustabilitet

Kontrollér støddæmperens tilstand, og udskift om nødvendigt.

Sørg for, at brugeren har læst og forstået alle oplysninger om sikkerhed og vedligeholdelse på brugerniveau.

Informér brugeren om, at regelmæssig visuel kontrol af anordningen anbefales, og at tegn på slid, der kan påvirke funktionen (f.eks. betydeligt slid eller kraftig misfarvning på grund af langvarig eksponering for UV), skal rapporteres til serviceudbyderen.

Informér brugeren om, at han eller hun skal fortælle det til den praktiserende læge/serviceudbyderen, hvis der er ændringer i kropsvægt og/eller aktivitetsniveau.

6 Begrænsninger i forbindelse med brugen

Forventet levetid

Der ydes garanti på produktet i produktets levetid – en lokal risikovurdering baseret på aktivitet og brugslængde skal udføres.

Belastning ved løft af byrder

Brugerens vægt og aktivitet er underlagt de angivne grænser. Byrder, der må bæres af brugeren, skal baseres på en lokal risikovurdering.

Miljø

Denne anordning er vandtæt indtil en maksimal dybde på 1 meter.

For at forhindre beskadigelse eller slid, skal anordningen skylles grundigt med rent vand efter brug i følgende miljøer:

- Slibende miljøer som f.eks. dem, der indeholder sand og grus;
- Saltvand eller klorholdigt vand.

Denne anordning skal gøres helt klar for at forhindre indtrængen af vand (se *Monteringsanvisninger*). Hvis der trænger vand ind i den, skal vandet tømmes ud, og den skal derefter tørre.

Må kun anvendes ved temperaturer mellem -15 °C og 50 °C.

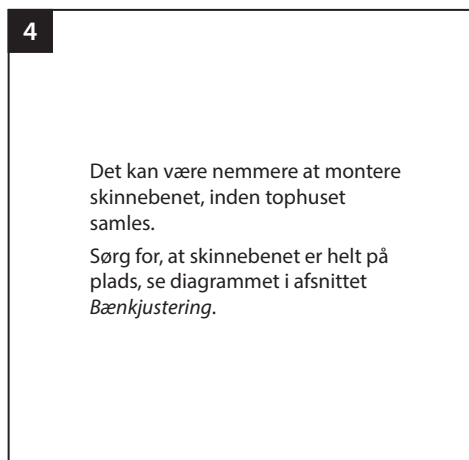


Egnet til nedsænkning

7 Monteringsanvisninger

Anvisningerne i dette afsnit er kun beregnet til brug for den praktiserende læge.

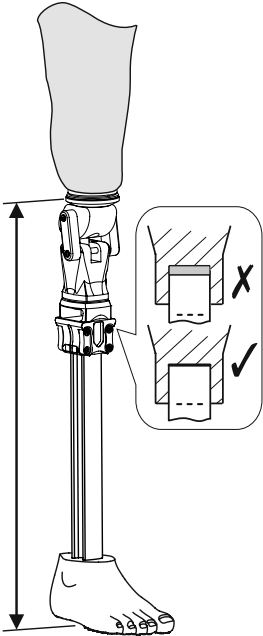
- ⚠️ Anvend altid passende sundheds- og sikkerhedsudstyr, herunder afmonteringsudstyr.
- ⚠️ Vær til enhver tid opmærksom på risikoen for at få fingrene i klemme.



8 Tilpasningsanvisninger

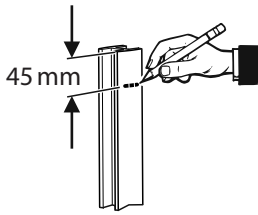
Anvisningerne i dette afsnit er kun beregnet til brug for den praktiserende læge.

1



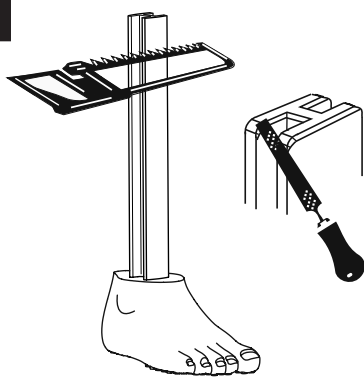
Monter skinnebenet på huset og kontrollér, at det er helt på plads. Mål længden for at bestemme, hvor meget skinnebenet skal afkortes.

2



Bestem den endelige krævede afkortningslængde.

3



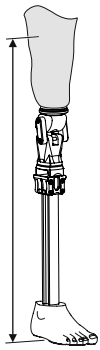
Tag skinnebenet ud af huset, afkort til den korrekte længde, monter igen og kontrollér derefter målingen.

4



Stram klemmeskruerne ens, og stram til et moment på 5 Nm, mindst to gange for hver skrue. Eksempel på rækkefølgen af tilspænding for at fordele belastningen ligeligt.

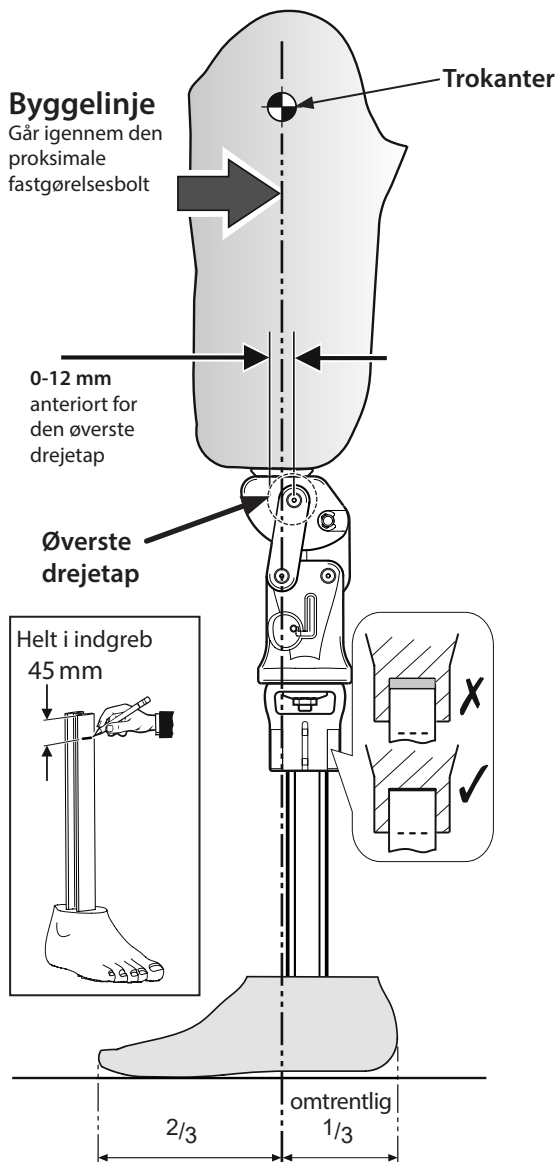
5



Kontrollér længde og justering. Færdiggør indstillingerne for skruerne under dynamisk justering.

9 Bænkjustering

Anvisningerne i dette afsnit er kun beregnet til brug for den praktiserende læge.



10 Dynamisk justering

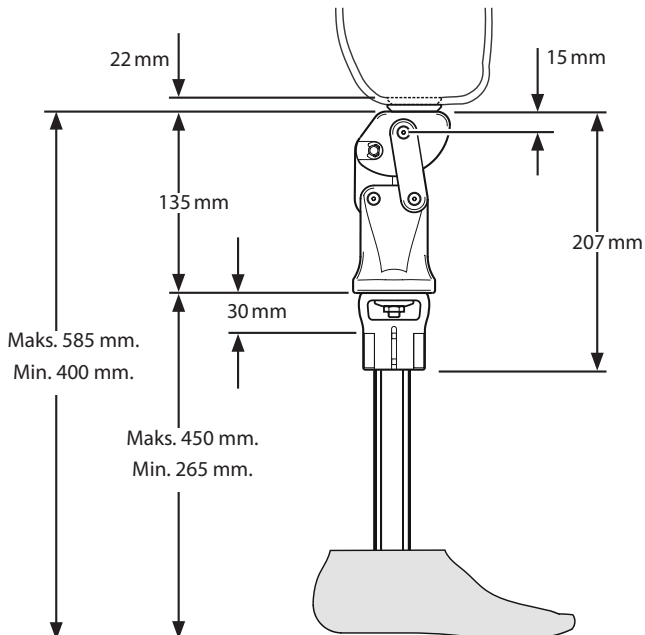
Opsæt som vist i afsnittet *Bænkjustering*, hvis brugeren har behov for justering af længde, forskydning, rotation og vinkel ved at løsne, justere og tilspænde de distale og proksimale fikseringsenheder til justering.

Sørg for, at belastningslinjen ikke er posterior i forhold til den øverste drejetap, efter at der er foretaget justeringer.

11 Tekniske data

Temperaturområde for betjening og opbevaring:	-15 °C til 50 °C
Samlet komponentvægt (<i>størrelse 24</i>):	2 kg
Aktivitetsniveau:	1-2
Brugerens maksimale vægt:	100 kg
Proksimal justeringsdel:	Blatchford enkeltboltjustering
Byggehøjde: (Se nedenstående diagram)	400-585 mm

Tilpasset længde



12 Bestillingsoplysninger

Bestillingseksempel

AQ	TF	25	L
-----------	-----------	-----------	----------

Transfemoral Størrelse

Side
(L - venstre (left)/
R - højre (right))

Fås fra størrelse 22 til størrelse 27:

AQTF22L-AQTF27R

f.eks. AQTF25L, AQTF26R

Reservedele

Del	Delnr.
Proksimalt justeringssæt til Aqualimb TF	169205
Støddæmper til knæ	622310
Proksimal skrue M10 x 55 ST STL	910420
Tapnøgle	940060

Ansvar

Producenten anbefaler, at anordningen udelukkende bruges under de specificerede forhold og til de tilsigtede formål. Anordningen skal vedligeholdes i henhold til brugsanvisningen, der følger med anordningen. Producenten er ikke ansvarlig for nogle negative resultater, der skyldes komponentkombinationer, der ikke er godkendt af producenten.

CE-overensstemmelse

Dette produkt opfylder kravene i den Europæiske forordning EU 2017/745 for medicinsk udstyr. Dette produkt er klassificeret som klasse I-udstyr i henhold til klassificeringskriterierne, der er beskrevet i bilag VIII til forordningen. Certifikatet for EU-overensstemmelseserklæringen er tilgængeligt på følgende internetadresse: www.blatchford.co.uk



Medicinsk udstyr



Enkelt patient – flergangsbrug

Kompatibilitet

Kombination med Blatchford-mærkevarer er godkendt baseret på testning i overensstemmelse med relevante standarder og direktivet om medicinsk udstyr, herunder strukturel test, dimensionskompatibilitet og monitoreret feltpræstation.

Kombination med alternative CE-mærkede produkter skal udføres på grundlag af en dokumenteret lokal risikovurdering udført af en praktiserende læge.

Garanti

Der ydes 24 måneders garanti på denne anordning.

Brugeren skal være opmærksom på, at ændringer eller modifikationer, der ikke udtrykkeligt er godkendt, kan annullere garantien, driftslicenser og undtagelser.

Gå til Blatchford-webstedet for at få den aktuelle fulde garantierklæring.

Rapportering af alvorlige hændelser

I det usandsynlige tilfælde, at der opstår en alvorlig hændelse i forbindelse med denne anordning, skal den rapporteres til producenten og den nationale tilsynsmyndighed.

Miljømæssige aspekter

Hvor det er muligt, skal komponenterne genbruges i overensstemmelse med lokale regler for affaldshåndtering.

Opbevaring af emballagens etiket

Den praktiserende læge rådes til at opbevare emballagens etiket som en fortegnelse over den leverede anordning.

Anerkendelse af varemærket

Blatchford er et registreret varemærke tilhørende Blatchford Products Limited.

Producentens registrerede adresse

Blatchford Products Limited, Lister Road, Basingstoke RG22 4AH, Storbritannien.

Innhold.....	28
1 Beskrivelse og tiltenkt formål	29
2 Sikkerhetsinformasjon.....	30
3 Konstruksjon.....	31
4 Funksjon	32
5 Vedlikehold.....	33
6 Begrensninger i bruken	34
7 Monteringsinstruksjoner.....	35
8 Tilpasningsinstruksjoner.....	36
9 Benkeinnretting.....	37
10 Dynamisk innretting	38
11 Tekniske data	38
12 Bestillingsinformasjon.....	39

1 Beskrivelse og tiltenkt formål

Denne bruksanvisningen er for legen og brukeren, med mindre annet er oppgitt.

Begrepet *enhet* i denne bruksanvisningen henviser til AqualimbTF.

Les og sørg for at du forstår alle instruksjonene for bruk, særlig all sikkerhetsinformasjon og alle vedlikeholdsinstruksjoner.

Bruksområde

Denne enheten skal utelukkende brukes som en del av en protese for nedre ekstremiteter.

Beregnet for en enkelt bruker.

Enheten er et protesekne, som er beregnet på lårbensamputerte.

Enheten er vannbestandig og skal **bare** brukes som dusjprotese.

Egenskaper

- Geometrisk stabilt kne med 4 støttestenger
- Manuell knelås (HOKL)
- Korrosjonsbestandig

Aktivitetsnivå

Enheten er for brukere på aktivitetsnivå 1 og 2. Brukere på aktivitetsnivå 3 og 4 kan bare bruke denne enheten hvis de begrenser aktivitetsnivået til 2.

Aktivitetsnivå 1

Har evnen eller potensialet til å bruke protese for å bytte eller ambulerer på flate overflater med fast skritthastighet. Typisk for den begrensede og ubegrensede husholdningsambulatorene.

Aktivitetsnivå 2

Kan forflytte seg normalt, samt stige over lave hindringer i miljøet, slik som fortauskanter, trapper eller ujevne overflater. Typisk for en person som beveger seg litt i nærmiljøet.

Aktivitetsnivå 3

Har evnen eller potensialet for ambulerer med variabel skritthastighet. Typisk for en person som beveger seg litt i nærmiljøet og som har evnen til å krysse de fleste miljøbarrierer og kan ha yrkesaktiv, terapeutisk eller treningsaktivitet som krever protetisk utnyttelse utover enkel bevegelse.

Aktivitetsnivå 4

Har evnen eller potensialet for protetisk ambulerer som overgår grunnleggende ambuleringsferdigheter, og viser høyt nivå av motstandsdyktighet, spenning og energi. Typisk for protesebrukere hos et barn, en aktiv voksen eller konkurransetøvere.

Kontraindikasjoner

- Denne enheten skal ikke brukes til aktiviteter på høyere aktivitetsnivå enn 2.
- Brukere med dårlig muskelkontroll skal bare bruke enheten i låst tilstand.
- Skal ikke brukes av transtibiale brukere.

Kliniske fordeler

- Gjør at protesen kan brukes under dusjing og i våte miljøer.

2 Sikkerhetsinformasjon



Dette advarselssymbolet fremhever viktig sikkerhetsinformasjon som må følges nøye.



Endringer i ytelse (f.eks. slark, ustabilitet, lås som ikke kobles inn) eller endringer i svingmotstand skal straks rapporteres til tjenesteleverandøren.



Ta alle nødvendige forholdsregler for sikkerhet og varsomhet på våte og glatte flater.



Brukeren skal oppfordres til å ta kontakt med legen hvis tilstanden endrer seg.



Brukeren må ikke justere eller tukle med monteringen av enheten.



Unngå eksponering mot ekstrem varme og/eller kulde.



Enheden er ikke egnet for ekstremsport, løping eller sykling, vinteridrett, svært bratte bakker/løyper og trappetrinn. Alle slike aktiviteter utføres helt og holdent på brukerens egen risiko.



Vær alltid oppmerksom på fingerfellefare



Montering, vedlikehold og reparasjon av enheten må bare utføres av en kvalifisert lege.



Kneets svingfrihet varierer noe ut fra for eksempel om kneet er tørt eller vått og/eller kontaminert med såpe.



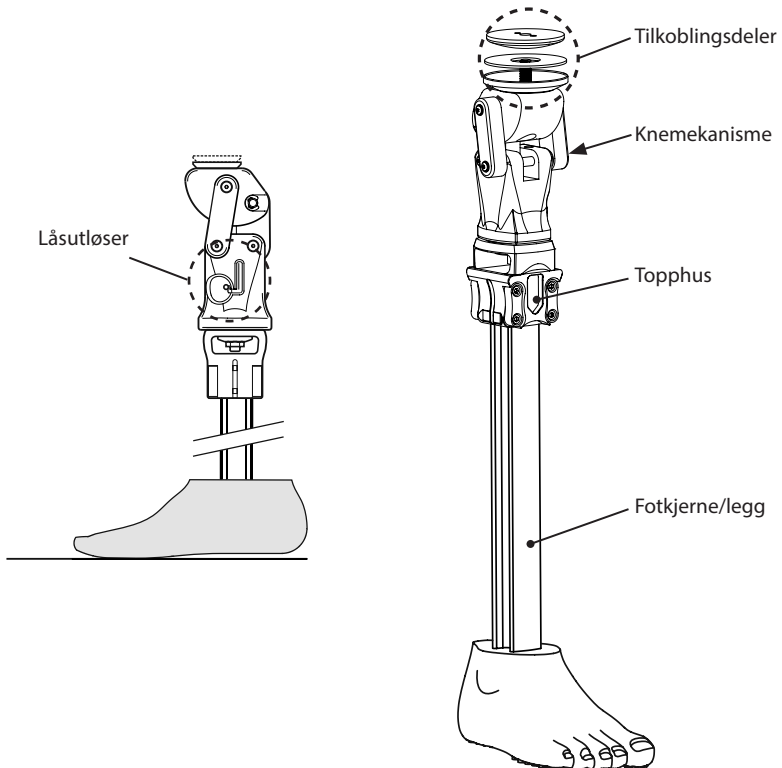
Enheden er designet for lengre tids nedsenkning, men er kun egnet for nedsenkning i ferskvann. Påse at all bruk i vann foregår i samsvar med vilkårene som er spesifisert i del 6 *Begrensninger i bruken.*

3 Konstruksjon

Viktigste deler

- Knemekanisme Acetalhomopolymer, rustfritt stål
- Toppdeksel Nylon forsterket med glassfiber
- Fotkjerne/legg Nylon forsterket med glassfiber / PU
- Tilkoblingsdeler Rustfritt stål / aluminiumslegering

Komponentidentifisering



4 Funksjon

Kneet er polysentrisk utformet, med dreiepunkter som kobler en rammedel til en hoveddel via tre koblingsstenger. En manuell fjærbelastet bolt er funksjonell inne i en lukket åpning i delen. Boltene kan kobles inn i rammedelen og låse kneet i full ekstensjon. Et deksel er fastboltet til kneets distale aspekt, som en fot-/leggkomponent er festet til. Leggen kan forkortes slik at den passer til brukeren. Fotsålen har et sklisikkert mønster.

Bruke knelåsen

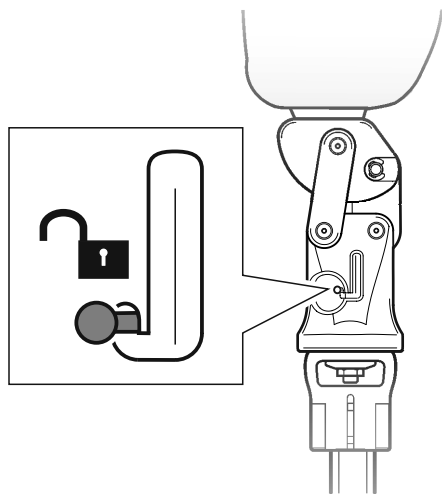


Hvis låsemodus trengs, skal du påse at låsutløseren er helt innkoblet før du går eller dusjer.

Låsen brukes manuelt. Lås kneet ved å løse ut utløseren fra ned-stilling, strekke kneet helt ut, skyve utløseren opp til opp-stilling igjen og påse at utløseren er helt innkoblet, som vist.

Kne ulåst

Utløser i ned-stilling

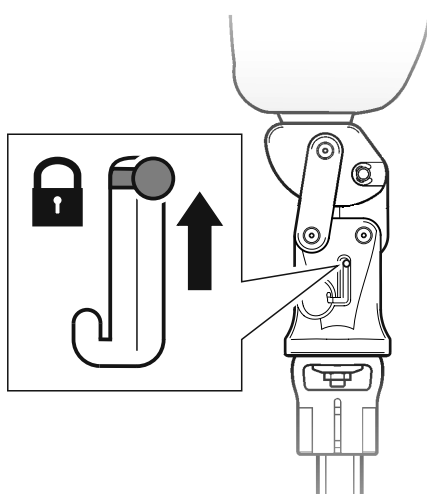


Kneet vist i frimodus.

Låsen kobles ikke inn ved full kneekstensjon.

Kne låst

Utløser helt innkoblet i opp-stilling.



Kneet vist med låsen på.

5 Vedlikehold

Sjekk enheten visuelt jevnlig.

Rapporter endringer i enhetens ytelse til legen/leverandøren, f.eks. uvanlige lyder, økt stivhet eller begrenset/overdreven rotasjon, betydelig slitasje eller overdreven misfarging ved langvarig eksponering for UV-stråler.

Informér legen/leverandøren om endringer i kroppsvekt og/eller aktivitetsnivå.

Rengjøring

Bruk en fuktig klut og mild såpe for å rengjøre utvendige overflater. Bruk **ikke** sterke rengjøringsmidler. Tørkes tørr.

Resten av instruksjonene i avsnittet er kun ment for legen.

Vedlikehold skal bare utføres av kvalifisert personell (lege eller teknikere med opplæring).

Følgende rutinemessige vedlikehold må gjennomføres minst én gang i året:

- Kontroller at den proksimale festemutteren og den distale innrettingsbolten sitter godt.
- Kontroller at knelåsen fungerer godt og at svingfriheten er tilfredsstillende.
- Inspiser visuelt for slitasje. Noe overflateskade kan oppstå etter en tids bruk – dette påvirker ikke enhetens funksjon eller styrke.

Brukeren bør informeres:

- Eventuelle endringer i ytelsen til denne enheten må rapporteres til legen.

Endringer i ytelse kan omfatte:

- Slark i bevegelige deler
- Låsen kobles ikke inn
- Ustabilitet

Kontroller kneets støtdemper, og skift ut ved behov.

Sørg for at brukeren har lest og forstått all informasjon om sikkerhet og vedlikehold på brukernivå.

Informér brukeren om at enheten bør kontrolleres visuelt med jevne mellomrom for å se etter slitasje som kan påvirke funksjonaliteten (f.eks. stor slitasje eller mye misfarging etter langtidseksponering for UV-stråling), og/eller at ytelsesendringer skal rapporteres til tjenesteleverandøren.

Be brukeren om å informere legen/tjenesteleverandøren om endringer i kroppsvekt og/eller aktivitetsnivå.

6 Begrensninger i bruken

Tiltenkt levetid

Produktets varighet dekkes av garantiperioden – en lokal risikovurdering skal utføres på grunnlag av aktivitet og bruk.

Løftebelastninger

Brukervekt og aktivitet bestemmes av de angitte grensene. Lastbæring av brukeren skal være basert på en lokal risikovurdering.

Miljø

Enheten er vanntett til en dybde på maksimum 1 meter.

Hindre skade eller slitasje ved å skylle enheten grundig med ferskvann etter bruk i følgende miljøer:

- Miljøer med skureeffekt, for eksempel slike som inneholder sand eller partikler.
- Salt- eller klorvann.

Fullfør denne enheten for å hindre vanninntrengning (se *Monteringsinstruksjoner*). Hvis vann kommer inn, skal enheten vrennes slik at vannet tømmes ut – deretter skal den lufttørkes.

Skal bare brukes i temperaturer mellom -15 og 50 °C.




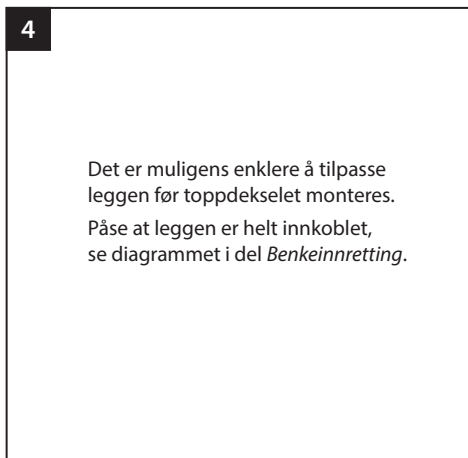
Egnet for nedsenking

7 Monteringsinstruksjoner

Instruksjonene i dette avsnittet er kun ment for legen.

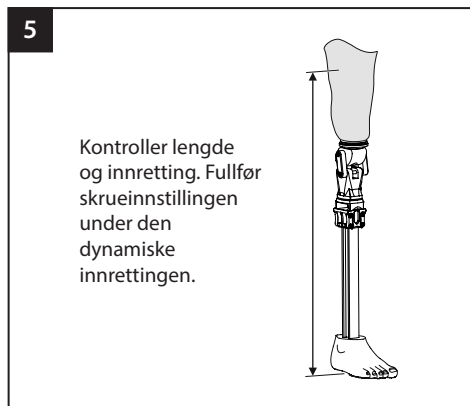
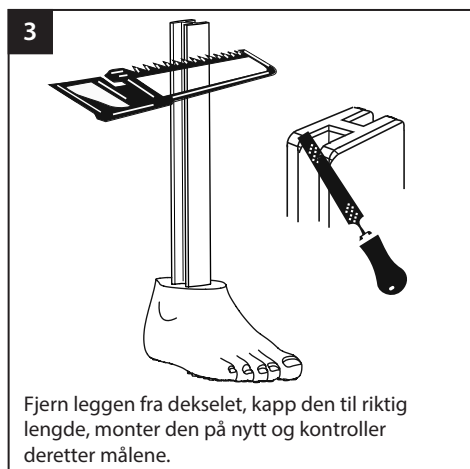
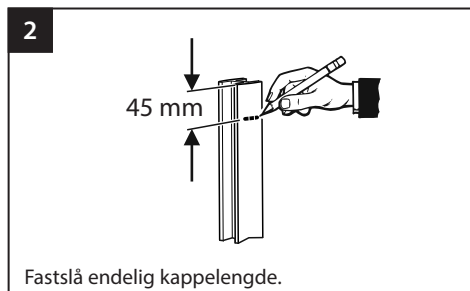
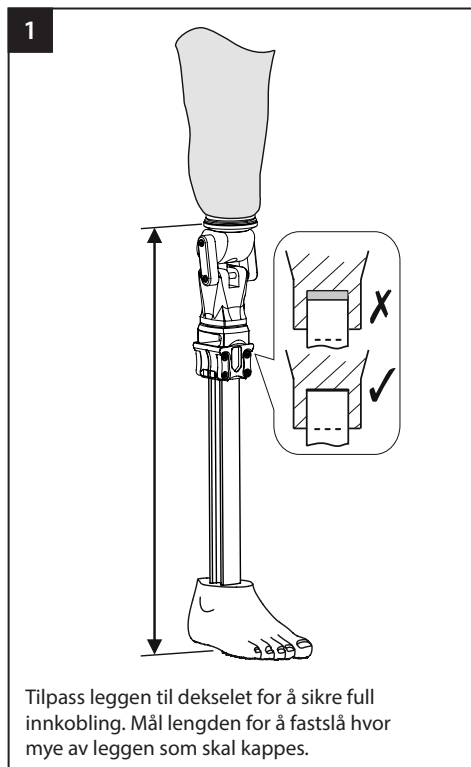
 Bruk passende helse- og sikkerhetsutstyr til enhver tid, inkludert avtrekksanlegg.

 Vær alltid oppmerksom på at fingrene kan komme i klem.



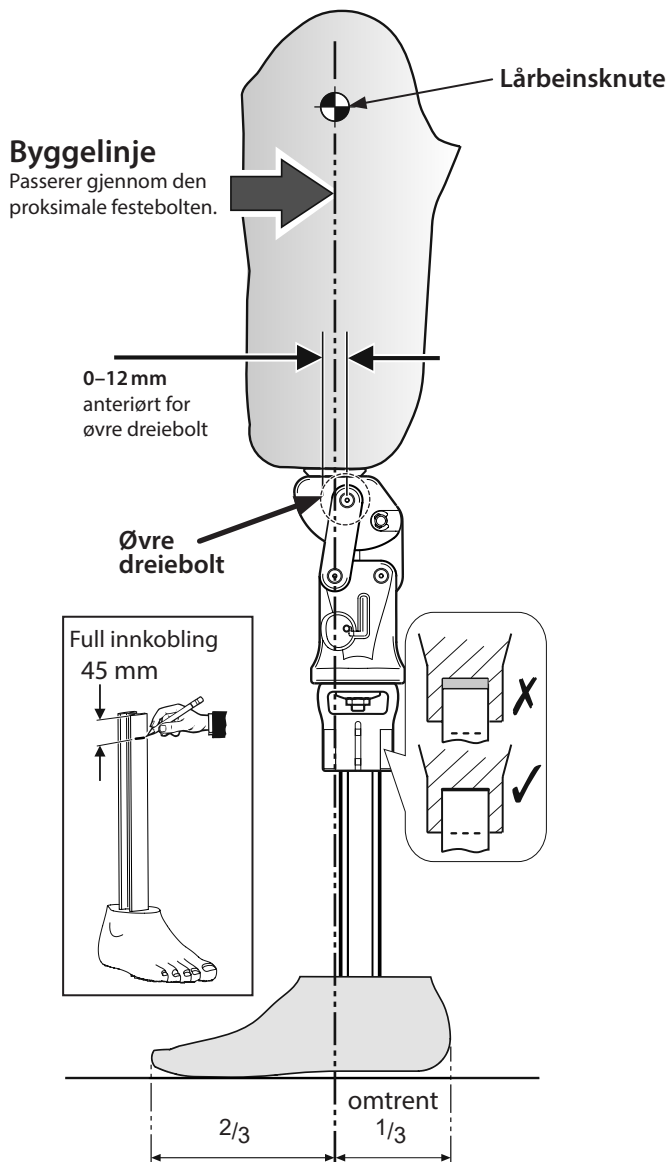
8 Tilpasningsinstruksjoner

Instruksjonene i dette avsnittet er kun ment for legen.



9 Benkeinnretting

Instruksjonene i dette avsnittet er kun ment for legen.



10 Dynamisk innretting

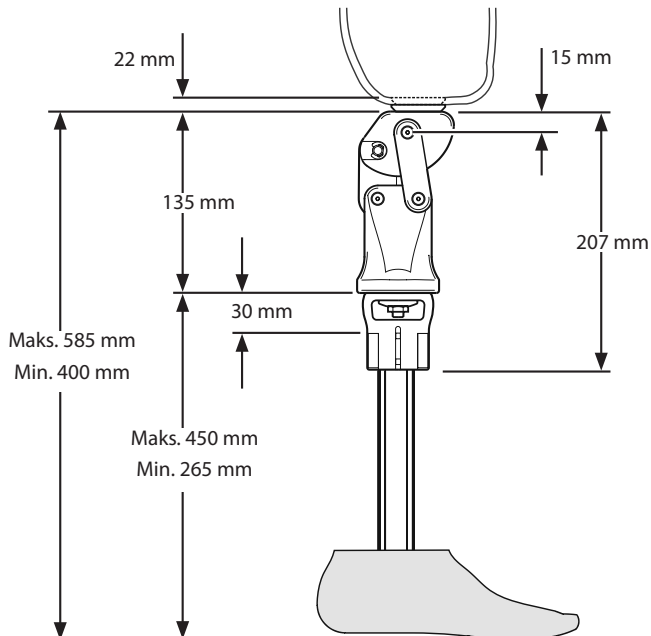
Konfigurer som vist i *Benkeinnretting*. Hvis brukeren har behov for å justere lengde, forskyvning, rotasjon og vinkel, kan dette oppnås ved å løsne, justere og stramme distale og proksimale festemidler for innretting på nytt.

Påse at belastningslinjen ikke befinner seg posterior for øvre dreiebolt etter justering.

11 Tekniske data

Temperaturområde for bruk og oppbevaring:	-15 til 50 °C
Total komponentvekt (<i>størrelse 24</i>):	2 kg
Aktivitetsnivå:	1–2
Maksimal brukervekt:	100 kg
Proksimalt innrettingsfeste:	Innretting med enkeltbolt fra Blatchford
Bygghøyde: (Se diagram nedenfor)	400–585 mm

Passformlengde



12 Bestillingsinformasjon

Bestillingseksempel

AQ	TF	25	L
-----------	-----------	-----------	----------

Transfemoral Størrelse

Side
(L – venstre /
R – høyre)

Tilgjengelig fra størrelse 22 til størrelse 27:

AQTF22L–AQTF27R

f.eks. AQTF25L, AQTF26R

Reservedeler

Del	Delenr.
Proksimalt innrettingssett for Aqualimb TF	169205
Støtdemper for kne	622310
Proksimal skrue, M10 x 55 ST STL	910420
Gaffelnøkkel	940060

Erstatningsansvar

Produsenten anbefaler å bruke enheten bare under de angitte forholdene og til de tiltenkte formål. Enheten må vedlikeholdes i henhold til bruksanvisningen som følger med enheten. Produsenten er ikke erstatningsansvarlig for skadelige utfall forårsaket av komponentkombinasjoner som ikke ble autorisert av dem.

CE-samsvar

Dette produktet oppfyller kravene i EUs regelverk EU 2017/745 for medisinsk utstyr. Dette produktet er klassifisert som en klasse I-enhet i henhold til klassifiseringsreglene beskrevet i vedlegg VIII til forskriften. EU-samsvarserklæringen er tilgjengelig på følgende internettadresse: www.blatchford.co.uk



Medisinsk enhet



Enkelt pasient - flere bruksmåter

Kompatibilitet

Kombinasjon med Blatchford-merkede produkter er godkjent basert på testing i samsvar med relevante standarder og MDR inkludert strukturell test, dimensjonell kompatibilitet og overvåket feltytelse.

Kombinasjon med alternative CE-merkede produkter må utføres på bakgrunn av en dokumentert lokal risikovurdering utført av en lege.

Garanti

Denne enheten har en garanti på 24 måneder.

Brukeren skal være klar over at endringer eller modifikasjoner som ikke uttrykkelig er godkjent, kan annullere garantien, driftslisensene og unntakene.

Se nettstedet til Blatchford for gjeldende, fullstendige garantierklæring.

Rapportering av alvorlige hendelser

I det usannsynlige tilfellet at det skulle oppstå en alvorlig hendelse relatert til denne enheten, skal den rapporteres til produsenten og kompetent myndighet i landet ditt.

Miljøaspekter

Hvis det er mulig, skal komponentene resirkuleres i samsvar med lokale forskrifter for avfallshåndtering.

Behold emballasjemerket

Legen anbefales å oppbevare emballasjeetiketten som en oversikt over den medfølgende enheten.

Varemerkeanerkjennelser

Blatchford er et registrert varemerke for Blatchford Products Limited.

Produsentens registrerte adresse

Blatchford Products Limited, Lister Road, Basingstoke RG22 4AH, Storbritannia.

Sisällys	41
1 Kuvaus ja käyttötarkoitus	42
2 Turvallisuustietoja	43
3 Rakenne	44
4 Toiminta	45
5 Huolto	46
6 Käyttöä koskevat rajoitukset	47
7 Kokoonpano-ohjeet	48
8 Sovitusohjeet	49
9 Linjaus työpenkillä	50
10 Dynaaminen linjaus	51
11 Tekniset tiedot	51
12 Tilautiedot	52

1 Kuvaus ja käyttötarkoitus

Nämä käyttöohjeet on tarkoitettu proteesiteknikolle ja käyttäjälle, ellei toisin mainita.

Termiä *laite* käytetään näissä ohjeissa puhuttaessa AqualimbTF-proteesista.

Lue ja varmista, että ymmärrät kaikki ohjeet, etenkin kaikki turvallisuuteen ja huoltoon liittyvät ohjeet.

Käyttö

Laite on tarkoitettu käytettäväksi vain osana alaraajaproteesia.

Vain henkilökohtaiseen käyttöön.

Polviproteesi, joka on tarkoitettu käytettäväksi polven yläpuolella.

Laite on vettä hylkivä ja tarkoitettu **vain** suihkuproteesiksi.

Ominaisuudet

- Geometrisesti vakaa neliakselinen polvinivel
- Käsikäyttöinen polvilukko (HOKL)
- Korroosionkestävä

Aktiivisuustaso

Tämä laite on tarkoitettu aktiivisuustason 1 ja 2 käyttäjille. Aktiivisuustasojen 3 ja 4 käyttäjät voivat käyttää tätä laitetta vain, jos he rajoittavat aktiivisuuttaan tasolle 2.

Aktiivisuustaso 1

Pystyy käyttämään tai on mahdollisuus käyttää proteesia siirtymiseen tai liikkumiseen tasaisella pinnalla tasaiseen tahtiin. Tyypillistä rajallisesti ja rajoituksitta sisätiloissa liikkuvalla.

Aktiivisuustaso 2

Pystyy liikkumaan tai on mahdollisuus liikkua ja pystyy ylittämään matalia esteitä, kuten reunakiveyksiä, portaita tai epätasaisia pintoja. Tyypillistä rajallisesti ulkona liikkuvalla.

Aktiivisuustaso 3

Pystyy liikkumaan tai on mahdollisuus liikkua vaihtelevaan tahtiin. Tyypillistä ulkona liikkuvalla, joka pystyy ylittämään useimmat esteet ja jolla on työhön, terapiaan tai liikuntaan liittyvää toimintaa, joka vaatii proteesilta yksinkertaista liikettä enemmän.

Aktiivisuustaso 4

Pystyy liikkumaan tai on mahdollisuus liikkua proteesilla perusliikkumistaitoja vaativammin, sisältäen iskuja, rasiusta ja voimaa. Tyypillinen vaatimus lasten, aktiivisten aikuisten ja urheilijoiden proteesilta.

Vasta-aiheet

- Tätä laitetta ei saa käyttää missään aktiviteetissa, joka ylittää aktiivisuustason 2.
- Henkilöt, joiden omaehtoinen kontrollointi on riittämätöntä, tulee käyttää laitetta vain lukitussa asennossa.
- Ei sovellu transtibiaalista proteesia käyttäville.

Kliiniset hyödyt

- Laitteen avulla proteesia voi käyttää suihkussa ja märissä olosuhteissa.

2 Turvallisuustietoja



Tällä varoitusmerkillä tuodaan esille tärkeitä turvallisuuteen liittyviä tietoja, joita täytyy noudattaa huolellisesti.



Kaikista laitteen toiminnassa esiintyvistä muutoksista (esim. väljyys, epävakaas, lukitus ei toimi) tai heilahdusvastuksen muutoksista tulee välittömästi ilmoittaa laitevalmistajalle.



Noudata kaikkia tarpeellisia varoimenpiteitä ja ole varovainen märillä ja liukkailla pinnoilla.



Käyttäjää tulee neuvoa ottamaan yhteyttä proteesiteknikkoon, jos hänen tilaansa tulee muutoksia.



Käyttäjä ei itse saa säätää tai muuttaa laitteen asetuksia.



Vältettävä altistumista ääriämpötiloille.



Laite ei sovellu vaativaan urheiluun, juoksemiseen tai kilpa-ajoon polkupyörällä, jää- ja lumiurheilulajeihin sekä jyrkissä rinteissä tai jyrkissä portaissa liikkumiseen. Tällaisiin aktiviteetteihin ryhtyminen on täysin käyttäjän omalla vastuulla.



Varo sormien juuttumista.



Vain pätevä ammattihenkilö saa koota, huoltaa ja korjata laitetta.



Polven heilahduksen vapaus vaihtelee jonkin verran sen mukaan, onko polvi kuiva vai märkä ja/tai onko siinä esimerkiksi saippuaa.



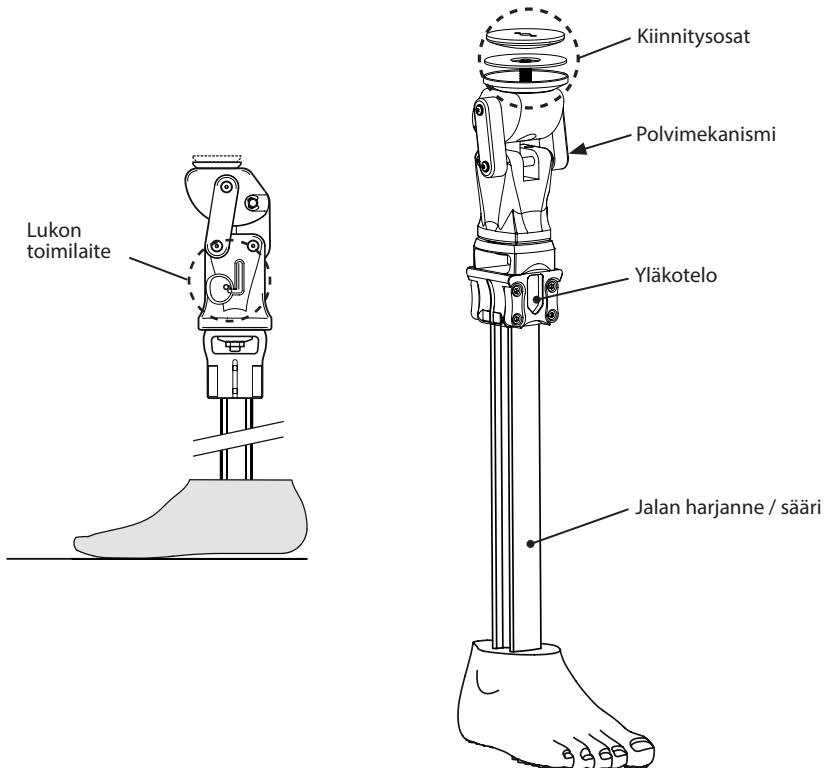
Laite kestää pitkiä aikoja veteen upotettuna; mutta vain makeaan veteen. Jos laitetta käytetään vedessä, kohdassa 6 *Käyttöä koskevat rajoitukset* ilmoitettuja käyttöön liittyviä rajoituksia on noudatettava.

3 Rakenne

Tärkeimmät osat

- Polvimekanismi asetaalihomopolymeeri, ruostumaton teräs
- Yläkotelo lasikuituvahvisteinen nailon
- Jalan harjanne / sääri lasikuituvahvisteinen nailon, PU
- Kiinnitysosat ruostumaton teräs / alumiiniseos

Osien kuvaus



4 Toiminta

Polviosa on rakenteeltaan polysentrinen, ja siinä on niveltapit, jotka yhdistävät alustan päärunkoon neljän nivelvarren avulla. Käsikäyttöinen jousella varustettu tappi toimii rungon sisällä olevassa lukollisessa urassa. Tappi voidaan lukita alustaan käsillä, jolloin polvi lukittuu suoraksi. Kotelo on kiinnitetty pulteilla polven distaaliosaan, johon jalka/sääriosa kiinnittyy. Sääriosan voi lyhentää käyttäjälle sopivaksi. Jalkaosan pohjassa on liukestekuvio.

Polvilukon toiminta

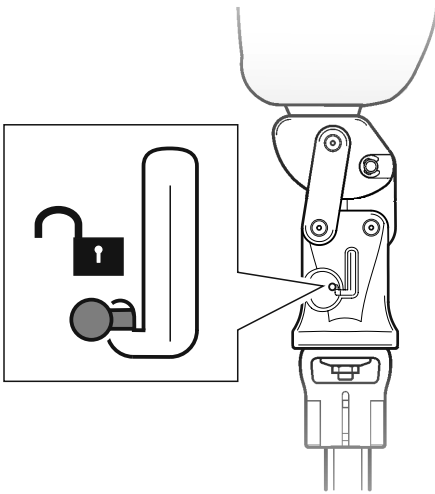


Jos lukkoa täytyy käyttää, varmista, että toimilaite on varmasti lukossa ennen kävelemistä tai suihkuun menoa.

Lukko on käsikäyttöinen. Kun haluat lukita polven, vapauta toimilaite ala-asennosta, ojenna polvi aivan suoraksi ja paina toimilaitetta ylös yläasentoon ja varmista, että se lukittuu kunnolla kuten kuvassa on esitetty.

Polven lukitus auki

Toimilaite ala-asennossa

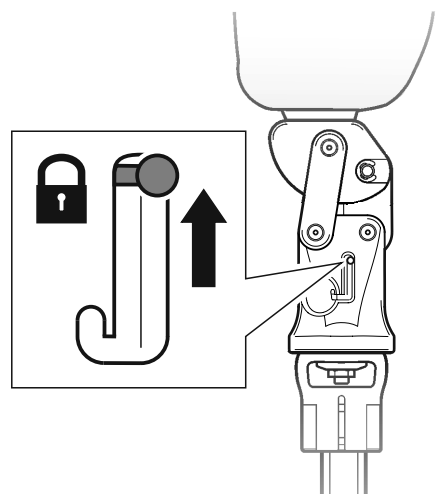


Kuvassa polvi on vapaa-tilassa

Lukko ei lukitu, kun polvi on ojennettu aivan suoraksi.

Polvi lukittu

Toimilaite lukittuna yläasentoon



Kuvassa polvi näkyy lukittuna

5 Huolto

Tarkista laite silmämääräisesti säännöllisesti.

Ilmoita kaikista tämän laitteen toiminnassa esiintyvistä muutoksista, kuten poikkeavista äänistä, lisääntyneestä jäykkyydestä, rajoittuneesta/liiallisesta kiertoliikkeestä, merkittävästä kulumisesta tai pitkäaikaisesta ultraviolettivalolle altistumisesta johtuvista huomattavista värimuutoksista proteesiteknikolle/laitevalmistajalle.

Ilmoita proteesiteknikolle/laitevalmistajalle, jos painossasi ja/tai aktiivisuustasossasi tapahtuu muutoksia.

Puhdistus

Puhdista ulkopinnat kostealla liinalla ja miedolla saippualla. **Älä** käytä voimakkaita puhdistusaineita, pyyhi kuivaksi.

Loput tässä kappaleessa annetuista ohjeista on tarkoitettu vain proteesiteknikoille.

Nämä huoltotoimenpiteet saa tehdä vain pätevä ammattihenkilö (proteesiteknikko tai asianmukaisen koulutuksen saanut apuvälineteknikko).

Seuraavat säännölliset huoltotoimenpiteet täytyy tehdä vähintään kerran vuodessa:

- Tarkista proksimaalisen liitosmutterin ja distaalisen kohdistuspultin kireys.
- Tarkista, että polven lukko toimii kunnolla ja heilahdus on esteetön.
- Tarkista kulumat silmämääräisesti. Joitakin pintavaurioita saattaa muodostua ajan kuluessa, mutta ne eivät vaikuta laitteen toimintaan tai kestävyYTEEN.

Käyttäjää tulee neuvoa seuraavasti:

- Kaikista tämän laitteen toiminnassa esiintyvistä muutoksista täytyy ilmoittaa proteesiteknikolle.

Toimintaan liittyviä muutoksia ovat mm. seuraavat:

- väljyyttä liikkuvissa osissa
- lukko ei lukitu
- epävakaus.

Tarkista polven rajoitin ja vaihda tarvittaessa.

Varmista, että käyttäjä on lukenut ja ymmärtää kaikki turvallisuusohjeet sekä käyttäjän tehtäviin huoltotoimenpiteisiin liittyvät ohjeet.

Kerro käyttäjälle, että on suositeltavaa tarkistaa laite säännöllisesti silmämääräisesti ja että toimintaan vaikuttavien kulumien merkeistä (esim. merkittävä kuluminen tai pitkään ultraviolettivalolle altistumisesta johtuvat huomattavat värimuutokset) ja/tai toimintaan vaikuttavista muutoksista tulee ilmoittaa laitevalmistajalle.

Pyydä käyttäjää ilmoittamaan proteesiteknikolle/laitevalmistajalle, jos hänen painossaan ja/tai aktiivisuustasossaan tapahtuu muutoksia.

6 Käyttöä koskevat rajoitukset

Kestoikä

Laitteen takuu on voimassa ilmoitetun takuuajan. Toiminnan ja käytön perusteella täytyy tehdä paikallinen riskiarviointi.

Kantokyky

Käyttäjän painolle ja toiminnalle on asetettu raja-arvot. Käyttäjän kokonaispainon tulee perustua paikalliseen riskiarviointiin.

Ympäristö

Laite on vedenpitävä yhteen metriin asti.

Jotta laite ei vahingoittuisi tai kuluisi, huuhtelee se huolellisesti puhtaalla vedellä, kun sitä on käytetty seuraavissa olosuhteissa:

- hankaavia materiaaleja, kuten hiekkaa, sisältävässä ympäristössä
- suola- tai klooripitoisessa vedessä.

Suojaa laite, jotta sen sisään ei pääse vettä (katso *Kokoonpano-ohjeet*). Jos vettä pääsee laitteen sisään, poista se kääntämällä laite nurinpäin ja jätä kuivumaan.

Sallittu käyttölämpötila on -15–50°C.



Saa kastua

7 Kokoonpano-ohjeet

Tässä kappaleessa esitetyt ohjeet on tarkoitettu vain proteesiteknikoille.

⚠ Käytä aina asianmukaisia suojavarusteita ja sopivia proteesin irrotusvälineitä.

⚠ Varo sormien juuttumista.

1



Valmista holkki käyttäen sopivaa Blatchfordin yksipulttista mallinetta. Leikkaa holkin distaalipäähän halkaisijaltaan 27 mm:n reikä. Laita holkkilevy holkin sisälle. Kokoa toimitetut linjausosat. Holkin tulee olla vähintään 6 mm paksu.

2



Sivele Loctite 243 -kierrelukitetta ja kiristä proksimaalinen linjauspultti 35 Nm:n kireyteen. Käytä tappiavainta (940060), jotta holkkilevy ei pääse pyörimään.

3



Sivele Loctite 243 -kierrelukitetta pultin kierteisiin. Kokoa distaalinen yläkotelo mutterin ja välirenkaan kanssa kuten kuvassa on esitetty ja kiristä 35 Nm:n kireyteen linjauksen jälkeen.

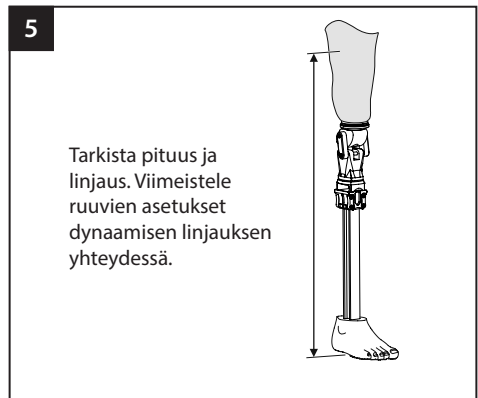
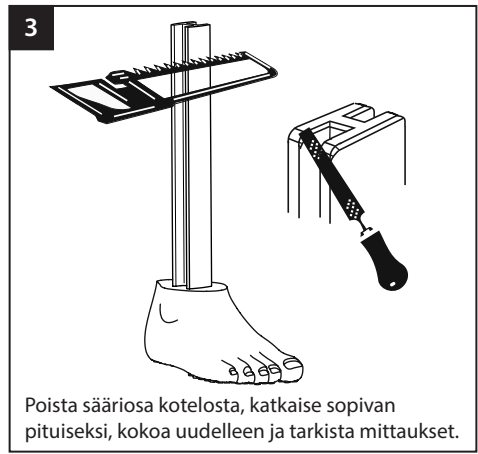
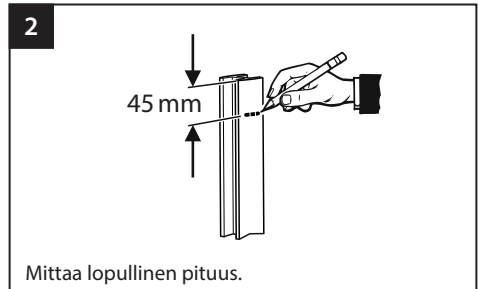
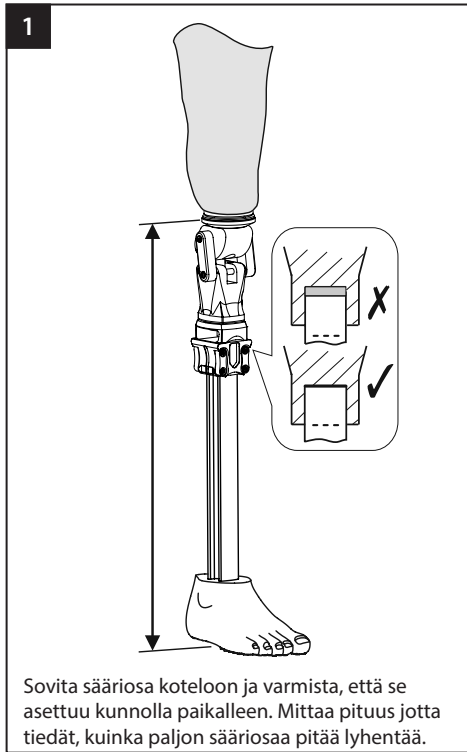
4

Voi olla helpompaa asentaa sääriosa ennen yläkoteloa.

Varmista, että sääriosa asettuu kunnolla paikalleen, katso kuva kohdassa *Linjaus työpenkillä*.

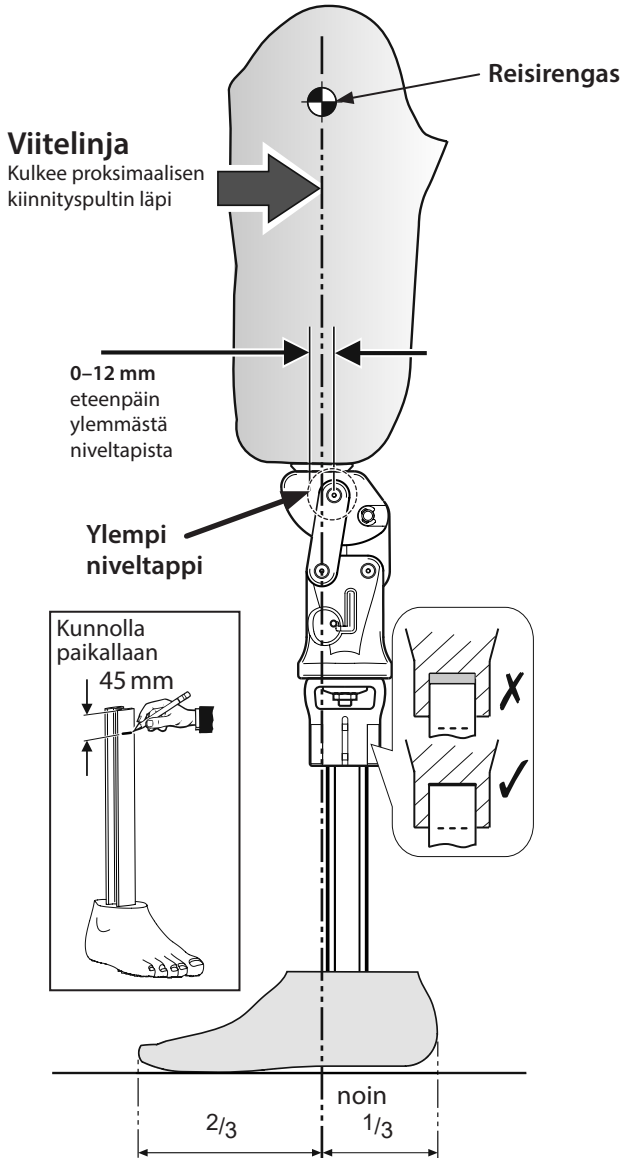
8 Sovitusohjeet

Tässä kappaleessa esitetyt ohjeet on tarkoitettu vain proteesiteknikoille.



9 Linjaus työpenkillä

Tässä kappaleessa esitetyt ohjeet on tarkoitettu vain proteesiteknikoille.



10 Dynaaminen linjaus

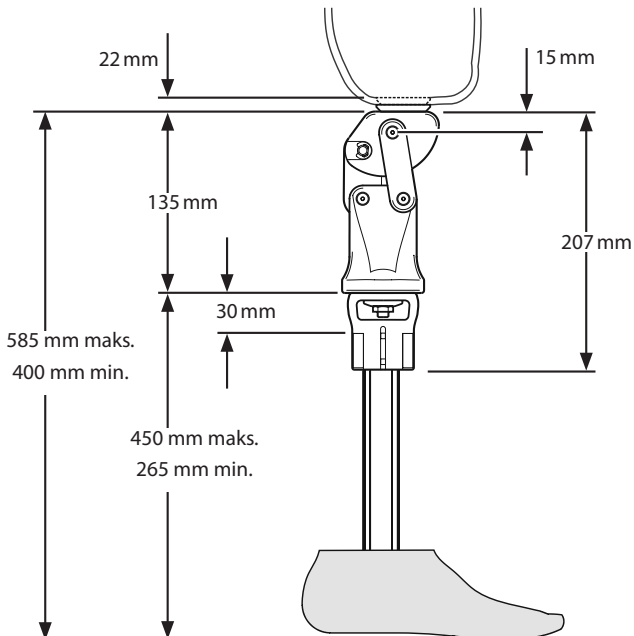
Asetus kuten kohdassa *Linjaus työpenkillä*, jos säätöjä tarvitaan, pituutta, siirtymää, kiertoa ja kulmaa voi säätää löysäämällä, säätämällä ja kiristämällä distaalisia ja proksimaalisia kohdistuspultteja.

Varmista säätöjen jälkeen, että kuormituslinja ei ole ylemmän niveltapin takana.

11 Tekniset tiedot

Käyttö- ja säilytyslämpötila-alue:	-15–50 °C
Paino (koko 24):	2 kg
Aktiivisuustaso:	1–2
Suurin sallittu käyttäjän paino:	100 kg
Proksimaalinen kiinnitys:	Blatchfordin yksipulttinen linjaus
Rakenteen korkeus: (katso kuva alla)	400–585 mm

Sovituspituus



12 Tilaustiedot

Tilauksesimerkki

AQ	TF	25	L
-----------	-----------	-----------	----------

Reisiosa

Koko

Puoli
(L – vasen /
R – oikea)

Saatavana olevat koot 22–27:

AQTF22L–AQTF27R

esim. AQTF25L, AQTF26R

Varaosat

Osa	Osanumero
Proksimaalinen Aqualimb TF -linjaussarja	169205
Polven rajoitin	622310
Proksimaalinen ruuvi M10 x 55, ruostumaton teräs	910420
Tappiavain	940060

Vastuu

Valmistaja suosittelee, että laitetta käytetään ainoastaan ilmoitetuissa olosuhteissa ja aiottuun käyttötarkoitukseen. Laitetta täytyy huoltaa laitteen mukana toimitettujen käyttöohjeiden mukaisesti. Valmistaja ei ole vastuussa mistään haitallisista seuraamuksista, jotka johtuvat sellaisten osakokoonpanojen käytöstä, joita valmistaja ei ole hyväksynyt.

CE-vaatimustenmukaisuus

Tämä tuote täyttää lääkinällisistä laitteista annetun Euroopan unionin säädöksen 2017/745 vaatimukset. Tämä tuote on luokiteltu luokan I tuotteeksi kyseisen säädöksen liitteen VIII luokituskriteerien mukaisesti. Todistus EU:n vaatimustenmukaisuusvakuutuksesta löytyy osoitteesta: www.blatchford.co.uk



Lääkinnällinen laite



Yhdelle potilaalle, kestäväkäyttöinen

Yhteensopivuus

Blatchfordin omien tuotteiden käyttö on hyväksytty edellyttäen että ne on testattu asiaankuuluvien standardien ja MDR-asetuksen mukaisesti käsittäen myös rakenteellisen testin, mittojen yhteensopivuuden ja valvotun kenttätoimivuuden.

Vaihtoehtoisia CE-merkittyjä tuotteita käytettäessä täytyy ottaa huomioon proteesiteknikon tekemä dokumentoitu paikallinen riskiarviointi.

Takuu

Tällä laitteella on 24 kuukauden takuu.

Käyttäjän tulee olla tietoinen siitä, että takuu, käyttöluva ja erityisluvut voidaan mitätöidä, jos laitteeseen tehdään muutoksia tai muunnoksia, joita ei ole erikseen hyväksytty.

Tämänhetkiset täydelliset takuutiedot löytyvät Blatchfordin verkkosivustolta.

Vakavista tapahtumista ilmoittaminen

Jos tähän laitteeseen liittyvä vakava tapahtuma sattuu (mikä on hyvin epätodennäköistä), asiasta tulee ilmoittaa valmistajalle ja kansalliselle toimivaltaiselle viranomaiselle.

Ympäristötiedot

Osat tulee kierrättää, mikäli mahdollista, paikallisten jätehuoltomääräysten mukaisesti.

Pakkausetiketin säilyttäminen

On suositeltavaa, että proteesiteknikko säilyttää pakkausetiketin tiedoksi tulevan varalle.

Tavaramerkkejä koskevat tiedot

Blatchford on Blatchford Products Limitedin rekisteröity tavaramerkki.

Valmistajan rekisteröity osoite

Blatchford Products Limited, Lister Road, Basingstoke RG22 4AH, Iso-Britannia.

Innehåll	54
1 Beskrivning och avsett syfte	55
2 Säkerhetsinformation	56
3 Konstruktion	57
4 Funktion.....	58
5 Underhåll.....	59
6 Begränsningar av användningen	60
7 Monteringsanvisningar.....	61
8 Monteringsanvisningar.....	62
9 Inriktning på arbetsbänken.....	63
10 Dynamisk inriktning.....	64
11 Tekniska uppgifter	64
12 Beställningsinformation	65

1 Beskrivning och avsett syfte

Denna bruksanvisning är avsedd för användning av läkare och brukare om inget annat anges. Termen *enhet* används i hela denna bruksanvisning för att referera till AqualimbTF. Läs och se till att du förstår hela bruksanvisningen, särskilt all säkerhetsinformation och alla underhållsinstruktioner.

Användningssätt

Denna enhet får endast användas som en del av en underbensprotes.

Avsedd för en enda brukare.

Den här enheten är en knäprotes avsedd för användning över knäet.

Enheten är vattentålig och är **endast** avsedd att användas som duschextremitet.

Funktioner

- Geometriskt stabilt 4-stiftsknä
- Handstyrt knälås (HOKL)
- Korrosionsbeständigt

Aktivitetsnivå

Den här enheten är avsedd för brukare på aktivitetsnivå 1 och 2. Brukare på aktivitetsnivå 3 och 4 får endast använda den här enheten om de begränsar sina aktiviteter till aktivitetsnivå 2.

Aktivitetsnivå 1

Har förmåga eller potential att använda protes för förflyttning eller rörlighet på plana ytor i jämn takt. Typiskt för en patient som rör sig begränsat eller obegränsat i hemmet.

Aktivitetsnivå 2

Har förmåga eller potential att förflytta sig förbi enkla hinder som trottoarkanter, trappor eller ojämna ytor. Typiskt för en patient som rör sig begränsat ute i samhället.

Aktivitetsnivå 3

Har förmåga eller potential att förflytta sig i variabel takt. Typiskt för en person som har förmåga att ta sig förbi de flesta hinder i miljön och som kan bedriva yrkesmässig, terapeutisk eller motionsinriktad aktivitet som kräver att protesen kan användas för mer än bara enkel förflyttning.

Aktivitetsnivå 4

Har förmåga eller potential att förflytta sig med hjälp av en protes som överskrider den grundläggande rörelseförmågan och har höga stöt-, belastnings- eller energinivåer. Typiskt för behovet av protes hos ett barn, en aktiv vuxen eller en idrottsman.

Kontraindikationer


- Den här enheten ska inte användas för någon aktivitet över aktivitetsnivå 2.
- Brukare med otillräcklig frivillig kontroll bör endast använda enheten låst.
- Ej för användning av transtibiala brukare.


Klinisk nytta


- Gör det möjligt för brukaren att bära sin protes i duschen och i våta miljöer.


2 Säkerhetsinformation


 Denna varningssymbol visas vid viktig säkerhetsinformation som måste följas noggrant.


 Eventuella förändringar av prestanda (t.ex. "spel", instabilitet, lås som inte aktiveras) eller förändringar av svängningsmotståndet ska omedelbart rapporteras till din serviceleverantör.


 Vidta alla nödvändiga säkerhetsåtgärder och var försiktig på våta och hala underlag.


 Brukaren ska rekommenderas att kontakta sin läkare om tillståndet förändras.


 Brukaren får inte justera eller manipulera enhetens inställningar.


 Undvik exponering för extrem värme och/eller kyla.

 Enheten är inte lämplig för extremsport, löpnings- eller cykeltävlingar, is- och snösporter eller i extrema sluttningar eller trappor. Alla sådana aktiviteter utförs helt och hållet på brukarens egen risk.

 Var alltid uppmärksam på risken för att fingrar kommer i kläm.

 Montering, underhåll och reparation av enheten får endast utföras av behörig vårdpersonal.

 Friheten att svänga knäet varierar något mellan när knäet är torrt och när det är blött och/eller förorenat med tvål till exempel.

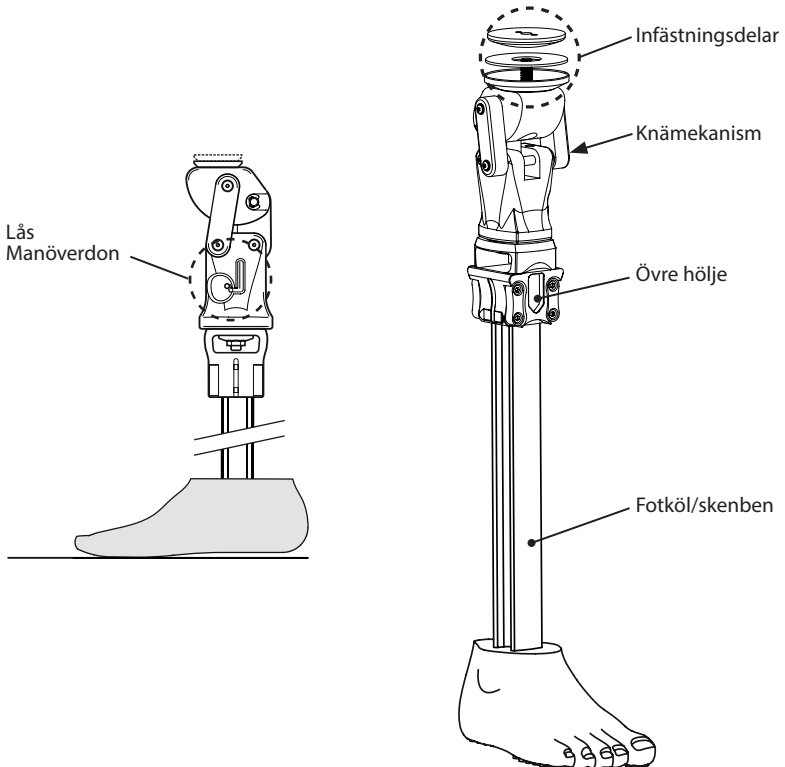
 Enheten är utformad för långvarig nedsänkning i vatten och passar endast för nedsänkning i sötvatten. Se till att all användning av enheten i vatten uppfyller de villkor som anges i avsnitt 6 *Begränsningar av användningen*.

3 Konstruktion

Huvuddelar

- Knämekanism Acetalhomopolymer, rostfritt stål
- Övre hölje Glasfiberförstärkt nylon
- Fotköl/skenben Glasfiberförstärkt nylon/PU
- Infästningsdelar Rostfritt stål/aluminiumlegering

Identifiering av komponenter



4 Funktion

Knäet har en polycentrisk konstruktion som innefattar ledpunkter som förbinder ett chassi med en huvuddel via tre länkarmar. En handmanövrerad fjäderbelastad sprint fungerar inom en spärrad skåra på huvuddelen. Sprinten kan placeras så att den går in i chassit och låser knäet i full extension. Ett hölje är fastbultat på den distala sidan av knäet som en fot/skenbenskomponent är fastklämd i. Skenbenet kan kortas av för att passa brukaren. Fotens sula har ett halkfritt mönster.

Användning av knälåset

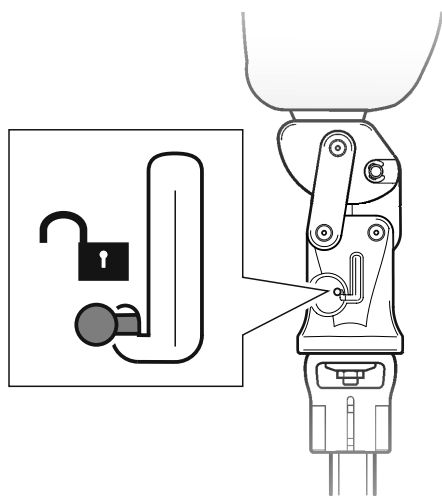


Om låst läge krävs, se till att låsmanöverdonet är helt aktiverat innan du går eller duschar.

Låset är handmanövrerat. För att låsa knäet frigör du manöverdonet från det nedre läget, sträcker ut knäet helt och trycker manöverdonet uppåt till det övre läget och ser till att manöverdonet kopplas in helt som bilden visar.

Knäet olåst

Manöverdon i nedre läge

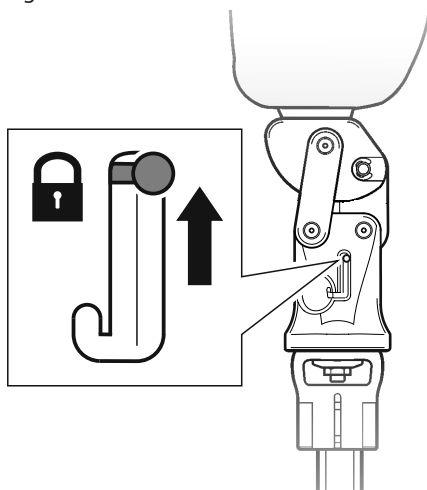


Knäet visas i fritt läge.

Låset aktiveras inte vid fullständig knäextension.

Knäet låst

Manöverdonet helt inkopplat i det övre läget



Knäet visas med låset på plats.

5 Underhåll

Inspektera enheten regelbundet.

Rapportera eventuella förändringar av enhetens prestanda till läkaren/serviceleverantören, t.ex. ovanliga ljud, ökad styvhet eller begränsad/för stor rotation, betydande slitage eller kraftig missfärgning till följd av långvarig exponering för UV-ljus.

Informera läkaren/serviceleverantören om eventuella förändringar av kroppsvikt och/eller aktivitetsnivå.

Rengöring

Använd en fuktig trasa och mild tvål för att rengöra utsidan. Använd **inte** starka rengöringsmedel, torka torrt.

Övriga instruktioner i det här avsnittet är endast avsedda för läkaren.

Detta underhåll får endast utföras av kompetent personal (praktiserande läkare eller lämpligt utbildad tekniker).

Följande rutinunderhåll ska utföras minst en gång om året:

- Kontrollera säkerheten på den proximala infästningsmuttern och den distala inriktningsbulten.
- Kontrollera att knälåset fungerar som det ska och svängningsfriheten.
- Kontrollera visuellt om det finns slitage. Vissa mindre skador på ytan kan uppstå efter en tids användning. Detta påverkar inte enhetens funktion eller styrka.

Brukaren bör informeras om följande:

- Eventuella förändringar av enhetens prestanda måste rapporteras till läkaren.

Förändringar av prestandan kan omfatta:

- "Spel" i rörliga delar
- Låset är inte aktiverat
- Instabilitet

Kontrollera skicket på knäets stötdämpare och byt ut den vid behov.

Se till att brukaren har läst och förstått all information om säkerhet och underhåll på brukarnivå.

Informera brukaren om att en regelbunden visuell kontroll av enheten rekommenderas och att tecken på slitage som kan påverka funktionen (t.ex. betydande slitage eller kraftig missfärgning efter långvarig exponering för UV-ljus) och/eller eventuella förändringar av prestandan ska rapporteras till serviceleverantören.

Säg åt brukaren att informera läkaren/serviceleverantören om eventuella förändringar av kroppsvikt och/eller aktivitetsnivå.

6 Begränsningar av användningen

Avsedd livslängd

Garantiperioden täcker hela produktens livslängd – en lokal riskbedömning bör göras baserat på aktivitet och användning.

Lyft av laster

Brukarens vikt och aktivitet styrs av de angivna gränserna. Den belastning som brukaren transporterar ska baseras på en lokal riskbedömning.

Miljö

Den här enheten är vattentät ned till ett djup på högst 1 meter.

För att förhindra skador eller slitage bör du skölja enheten noggrant med rent vatten efter användning i följande miljöer:

- Nötande miljöer, t.ex. sådana som innehåller sand eller grus.
- Saltvatten eller klorerat vatten.

Behandla den här enheten för att förhindra att vatten tränger in (se *Monteringsanvisningar*). Om vatten kommer in i den, vänd på den så att vattnet kan rinna ut och låt den sedan torka.

Får endast användas mellan -15 °C och 50 °C.



Lämplig för nedsänkning i vatten

7 Monteringsanvisningar

Instruktionerna i det här avsnittet är endast avsedda för läkaren.

 Använd alltid lämplig hälso- och säkerhetsutrustning, inklusive utsugsutrustning.

 Var alltid medveten om risken för att fingrarna kommer i kläm.

1



Tillverka hylsan med lämplig enkelbultsformare från Blatchford. Skär ett hål med 27 mm diameter i hylsans distala ände. Placera hylsplattan inuti hylsan. Montera de medföljande inriktningsdelarna. Minsta hylstjocklek 6 mm.

2



Applicera Loctite 243 och momentdra den proximala inriktningsbulten till 35 Nm. Använd en stiftnyckel (940060) för att förhindra att hylsplattan roterar.

3



Applicera Loctite 243 på bultgångarna. Montera det distala övre höljet med muttern och brickan enligt bilden och momentdra till 35 Nm efter inriktning.

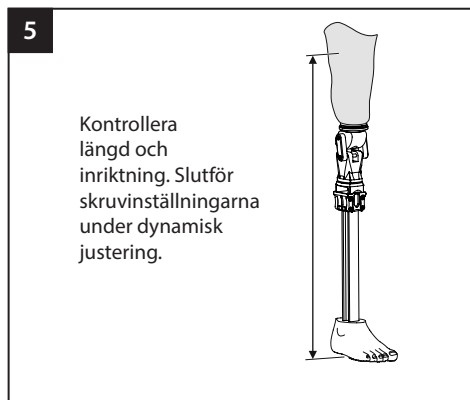
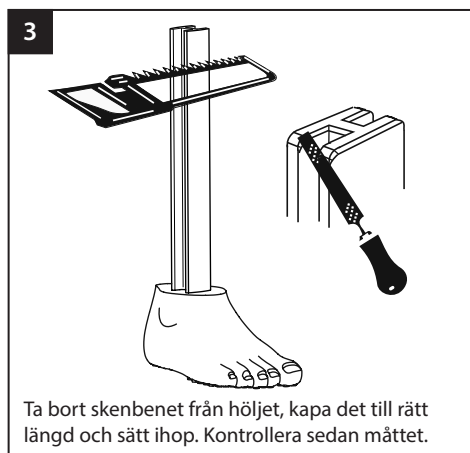
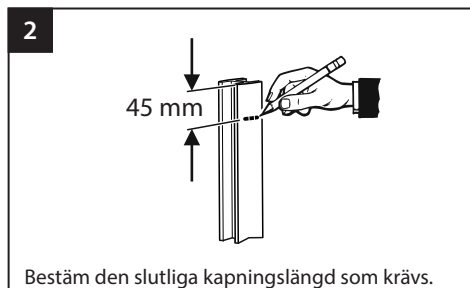
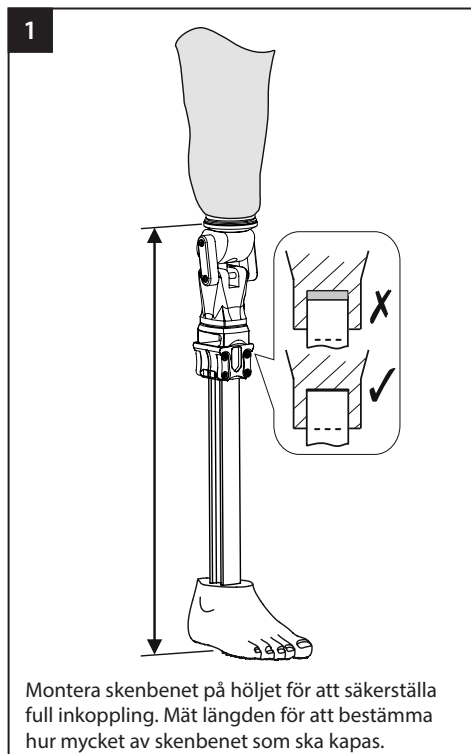
4

Det kan vara lättare att montera skenbenet innan det övre höljet monteras.

Se till att skenbenet kopplas in helt, se diagrammet i avsnitt *Inriktning på arbetsbänken*.

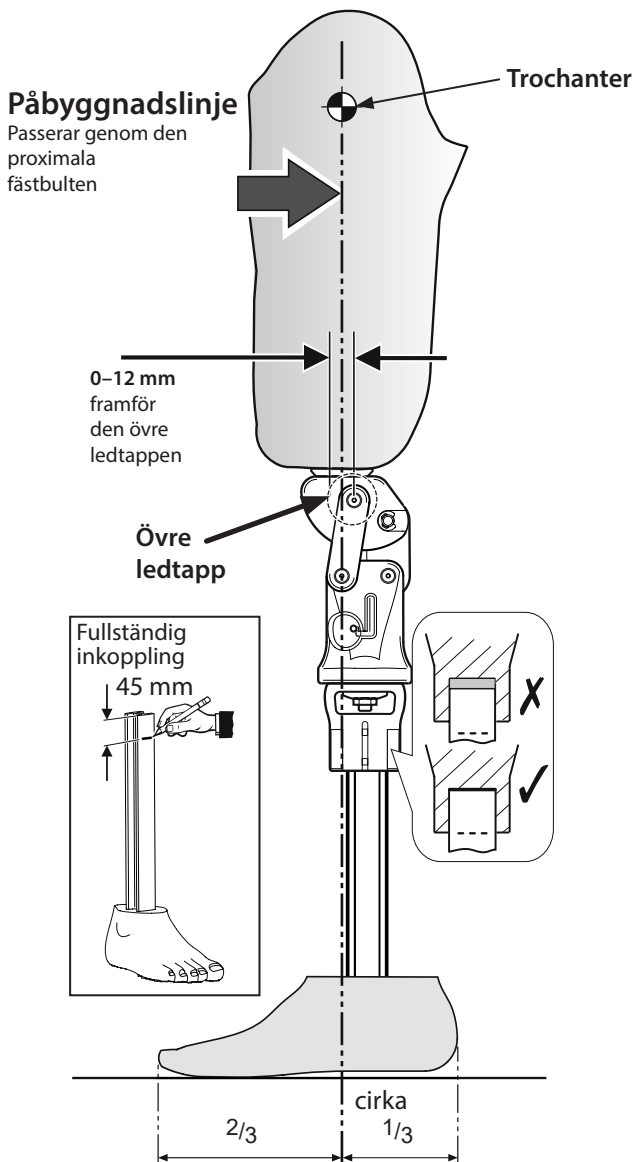
8 Monteringsanvisningar

Instruktionerna i det här avsnittet är endast avsedda för läkaren.



9 Inriktning på arbetsbänken

Instruktionerna i det här avsnittet är endast avsedda för läkaren.



10 Dynamisk inriktning

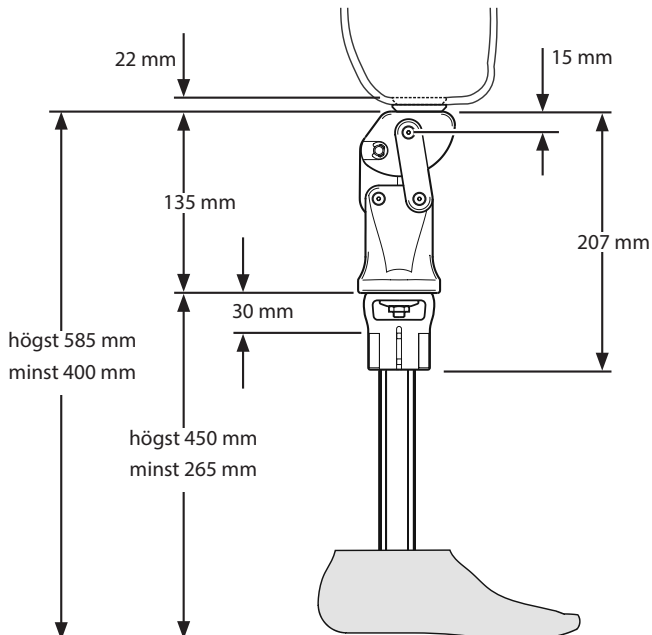
Ställ upp på det sätt som visas i *Inriktning på arbetsbänken* om brukaren behöver justerad längd, förskjutning, rotation och vinkling genom att lossa, justera och dra åt distala och proximala justeringsfixeringar.

Kontrollera efter varje justering som görs att belastningslinjen inte är posterior om den övre ledtappen.

11 Tekniska uppgifter

Temperatur vid drift och förvaring:	-15 °C till 50 °C
Total komponentvikt (<i>storlek 24</i>):	2 kg
Aktivitetsnivå:	1–2
Maximal brukarvikt:	100 kg
Proximalt inriktningsfäste:	Blatchford enkelbultsinriktning
Påbyggnadshöjd: (Se diagrammet nedan)	400–585 mm

Inpassningslängd



12 Beställningsinformation

Exempel på beställning

AQ	TF	25	L
-----------	-----------	-----------	----------

Transfemoral

Storlek

Sida
(L – vänster/
R – höger)

Finns från storlek 22 till storlek 27:

AQTF22L–AQTF27R

t.ex. AQTF25L, AQTF26R

Reservdelar

Artikel	Art.nr.
AqualimbTF proximal inriktningssats	169205
Knästötdämpare	622310
Skruv, proximal, M10 x 55 ST STL	910420
PEG-nyckel	940060

Ansvar

Tillverkaren rekommenderar att enheten endast används under angivna förhållanden och för avsedda ändamål. Enheten måste underhållas i enlighet med de instruktioner som medföljer enheten. Tillverkaren ansvarar inte för eventuella negativa resultat som orsakas av komponentkombinationer som tillverkaren inte har godkänt.

CE-överensstämmelse

Denna produkt uppfyller kraven i EU-förordningen 2017/745 för medicintekniska produkter. Denna produkt är klassificerad som en klass I-produkt enligt de klassificeringsregler som anges i Bilaga VIII till förordningen. EU-försäkran om överensstämmelse finns på följande internetadress: www.blatchford.co.uk



Medicinteknisk utrustning



En patient – flera användningar

Kompatibilitet

Kombination med Blatchford-märkta produkter är godkänt baserat på tester i enlighet med relevanta standarder och MDR, inklusive strukturellt test, dimensionell kompatibilitet och övervakade fältprestanda.

Kombination med alternativa CE-märkta produkter måste utföras med hänsyn till en dokumenterad lokal riskbedömning som utförts av en praktiserande läkare.

Garanti

Den här enheten har 24 månaders garanti.

Brukaren bör vara medveten om att ändringar eller modifieringar som inte uttryckligen godkänts kan upphäva garantin, användningslicenserna och undantagen.

På Blatchfords webbplats finns aktuell fullständig garanti.

Rapportering av allvarliga incidenter

Om det mot förmodan skulle inträffa en allvarlig incident i samband med den här enheten ska denna rapporteras till tillverkaren och den nationella behöriga myndigheten.

Miljöaspekter

Om möjligt ska komponenterna återvinnas i enlighet med lokala föreskrifter för avfallshantering.

Spara förpackningsetiketten

Praktiserande läkare rekommenderas att spara förpackningsetiketten som journal över den levererade enheten.

Varumärkesinformation

Blatchford är ett registrerat varumärke som tillhör Blatchford Products Limited.

Tillverkarens registrerade adress

Blatchford Products Limited, Lister Road, Basingstoke RG22 4AH, Storbritannien.

Содержание	67
1 Описание и Основное Назначение	68
2 Техника Безопасности	69
3 Конструкция	70
4 Функциональность	71
5 Техническое Обслуживание	72
6 Ограничения при Эксплуатации	73
7 Сборочные Инструкции	74
8 Рекомендации по сборке	75
9 Стендовая Юстировка	76
10 Динамическая Юстировка	77
11 Спецификация	77
12 Информация для Заказа	78

1 Описание и Основное Назначение

Если не оговорено иное, данная инструкция по эксплуатации предназначена для протезиста и пользователя.

Термин *устройство* относится к *Аквапротезу Бедрa AqualimbTF* и будет использован далее в настоящей инструкции.

Пожалуйста, внимательно прочитайте данную инструкцию и убедитесь в том, что вам все понятно в ней, особое внимание следует уделить разделам, посвященным Технике Безопасности и Техническому Обслуживанию.

Область Применения

Данное устройство должно использоваться исключительно как составная часть протеза нижней конечности.

Устройство предназначается для индивидуального использования.

Данное устройство представляет собой коленный модуль, предназначенный для пользователей с ампутацией на уровне бедра.

Данное устройство является водонепроницаемым и предназначено для использования **только** в качестве протезной системы для приема водных процедур.

Особенности

- Геометрически устойчивый 4-х звенный коленный модуль
- Устройство оснащено Ручным Коленным Замком (HOKL - Hand Operated Knee Lock)
- Устройство обладает коррозионной стойкостью

Уровень Двигательной Активности

Данное устройство предназначено для пользователей с Уровнем Двигательной Активности 1 и 2. Пользователи с Уровнем Двигательной Активности 3 и 4 могут использовать это устройство, только в том случае, если они ограничивают свою двигательную деятельность Уровнем Двигательной Активности 2.

Уровень Двигательной Активности 1

Пользователь обладает способностью или имеет достаточный потенциал для перемещения на протезе по ровной опорной поверхности с фиксированным темпом ходьбы. Данный уровень типичен для пользователей, которые могут ограниченно или неограниченно перемещаются в пределах помещения.

Уровень Двигательной Активности 2

Пользователь обладает способностью или имеет достаточный потенциал для перемещения на протезе, а также обладает способностью преодолевать невысокие естественные препятствия, такие как бордюры, ступени лестниц или неровные поверхности. Данный уровень типичен для пользователей, которые ограниченно перемещаются вне пределов помещения.

Уровень Двигательной Активности 3

Пользователь обладает способностью или имеет достаточный потенциал для перемещения на протезе в переменном темпе вне помещения. Данный уровень типичен для пользователей, которые могут преодолевать большинство естественных препятствий, а также имеющих дополнительные потребности при использовании протеза не только для простого перемещения, но например, при ведении профессиональной деятельности, прохождении лечебно-профилактических процедур или занятий любительским спортом.

Уровень Двигательной Активности 4

Пользователь обладает способностью или имеет достаточный потенциал для перемещения на протезе вне помещения, превышающий базовые типы перемещений, и сталкивающийся с повышенными вертикальными ударными воздействиями, связанными с высокой нагрузкой на протез при ходьбе. Данный уровень типичен для детей, активных взрослых или спортивных пользователей.

Противопоказания

- Данное устройство не должно использоваться для видов двигательной активности, превышающих Уровень Двигательной Активности 2.
- Пользователи с недостаточной для уверенного управления протезом мышечной активностью должны использовать устройство только в заблокированном состоянии.
- Не рекомендуется для пользователей с ампутацией на уровне голени.

Клинические Преимущества

- Позволяет пользователю использовать протез нижней конечности во время принятия водных процедур, душа и во влажной среде.

2 Техника Безопасности



Данным символом обозначаются наиболее важные правила, которые должны соблюдаться неукоснительно.



Пользователь обязан незамедлительно сообщить своему протезисту/врачу о любых ощутимых изменениях в работе или функциональности данного устройства (например, излишнем люфте, неустойчивости, неисправность ручного коленного замка).



Соблюдайте все необходимые меры предосторожности, а особенно на мокрых и скользких опорных поверхностях.



Пользователь обязан сообщить своему протезисту о любых ощутимых изменениях своего состояния: веса и/или уровня двигательной активности, например, при переезде из городской в сельскую местность.



Пользователь не имеет права самостоятельно настраивать устройство или вмешиваться в его настройки.



Избегайте воздействия на устройство экстремальных жары и/или холода.



Устройство не пригодно для занятий экстремальными видами спорта, бегом и велогонками, а также зимними видами спорта на льду и снегу, а также для подъема по крутым склонам и ступеням. Вся ответственность за подобные действия возлагается исключительно на пользователя.



Всегда помните о потенциальной опасности защемления пальцев кисти руки рабочими механизмами протеза.



К установке, настройке, техническому обслуживанию и ремонту устройства допускается только специально обученный и сертифицированный в учебных центрах Blatchford персонал.



Свободное перемещение в фазе переноса коленного модуля будет немного отличаться, в зависимости от состояния, когда коленный модуль сухой и когда он подвергся воздействию воды и/или загрязнен, или например, на него попало мыло или шампунь.



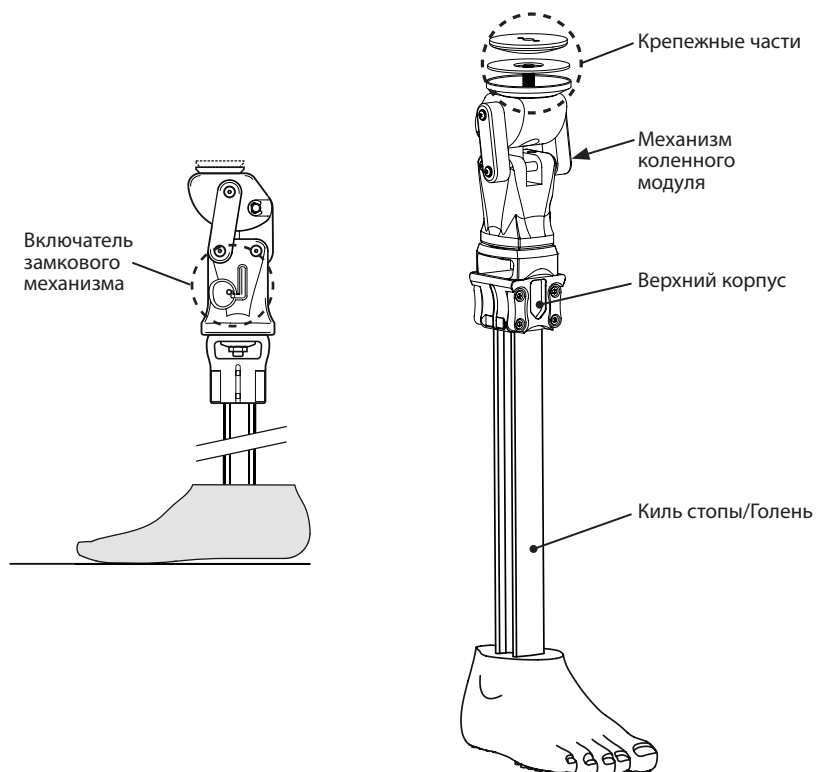
Данное устройство предназначено для длительного погружения в воду, но подходит только для погружения в пресную воду. Убедитесь, что любое использование устройства в воде соответствует условиям, приведенным в Разделе 6 Ограничения при Эксплуатации.

3 Конструкция

Составные Части

- Механизм Коленного Модуля Ацетальный гомополимер, нержавеющая сталь
- Верхний Корпус Армированное нейлоном стекловолокно
- Киль Стопы/Голень Армированное нейлоном стекловолокно/полиуретан (PU)
- Крепежные части Нержавеющая сталь/ алюминиевый сплав

Идентификация Компонентов



4 Функциональность

Коленный модуль имеет полицентрическую конструкцию, соединенную через шасси с основной частью устройства при помощи трех звеньев. Рычажок приведения в действие пружины ручного коленного замка имеет специальный паз с защелкой в теле шасси. Данный рычажок может быть переведен в верхнюю часть шасси для полной блокировки коленного модуля в полностью разогнутом состоянии. К дистальной части коленного модуля крепится корпус, в котором зажимается компонент Стопа/Модуль Голени. Голень может быть укорочена в соответствии с параметрами пользователя. Подошва стопы протезной системы имеет специальное рифление, предотвращающее проскальзывание на мокрых и скользких поверхностях.

Работа коленного замка

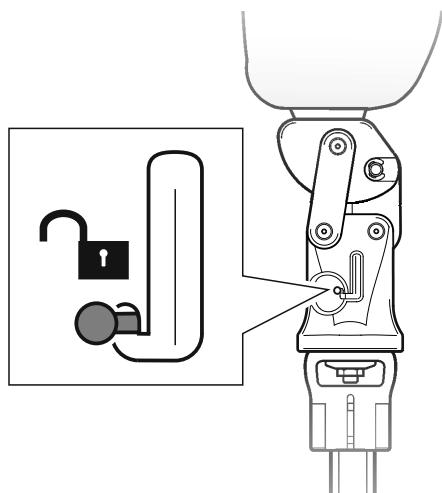


Если требуется режим включить режим замка (блокировки коленного модуля), убедитесь в том, что включатель замкового механизма полностью включен, прежде чем идти принимать водные процедуры или принимать душ.

Коленный замок приводится в действие вручную. Чтобы заблокировать коленный модуль, выведите рычажок из нижнего положения, полностью разогните коленный модуль, затем переведите рычажок в верхнее положение и убедитесь в том, что рычажок полностью зафиксировался так, как показано на рисунке.

Разблокировка коленного модуля

Рычажок находится в нижней позиции

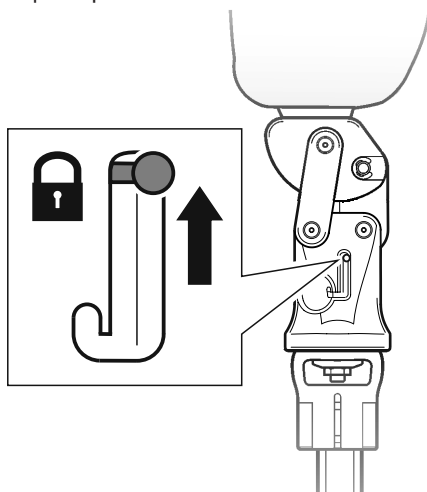


Коленный модуль находится в полностью расфиксированном состоянии.

Замковый механизм не будет срабатывать при полном разгибании коленного модуля в колене.

Блокировка коленного модуля

Рычажок находится в верхней позиции и зафиксирован.



Коленный модуль показан с включенным коленным замком.

5 Техническое Обслуживание

Регулярно производите визуальный осмотр устройства.

При обнаружении любых ощутимых изменениях в работе или функциональности устройства, пользователь обязан немедленно сообщить об этом своему протезисту, изменения в работе устройства могут включать в себя следующее: посторонние шумы, увеличение жесткости, избыточное/ограниченное вращение, значительный износ или обесцвечивание из-за длительного воздействия ультрафиолета.

Пользователь обязан немедленно проинформировать протезиста о любых значимых изменениях в массе тела и/или уровне двигательной активности (например, при переезде на постоянное место жительства из городской в сельскую местность).

Очистка от загрязнений

Для очистки внешней поверхности изделия используйте влажную не ворсистую ткань и детское мыло. **НЕ ИСПОЛЬЗУЙТЕ** агрессивные моющие средства.

Последующие инструкции данного раздела предназначены только для протезиста.

К техническому обслуживанию устройства допускается только персонал, прошедший обучение в учебных центрах Blatchford и имеющий соответствующий сертификат (протезист или врач).

Рекомендуется как минимум ежегодно проводить следующие мероприятия по техническому обслуживанию:

- Проверьте надежность соединения проксимального крепления, степень затяжения гайки и дистального юстировочного болта
- Проверьте функциональность коленного модуля, надежность срабатывания ручного коленного замка и работу модуля в фазе переноса при полностью разблокированном коленном модуле
- Проведите визуальный осмотр коленного модуля. На устройстве могут быть небольшие потертости и царапины, возникшие в процессе носки протеза - это допустимо и не влияет на прочностные характеристики устройства и его функциональность.

Пользователь обязан немедленно проинформировать протезиста:

- о любых значимых изменениях в массе тела и/или уровне двигательной активности (например, при переезде на постоянное место жительства из городской в сельскую местность)

Изменения в работе устройства могут включать в себя:

- Излишний люфт движущихся частей
- Нарушения в работе замкового механизма
- Неустойчивость

Рекомендуется проверить состояние коленного амортизатора, и при необходимости заменить на новый.

Убедитесь в том, что пользователь внимательно ознакомился и осознал касающуюся его информацию, посвященную технике безопасности и техническому обслуживанию.

Пользователь должен быть предупрежден о необходимости регулярного визуального осмотра устройства на предмет обнаружения дефектов, износа и/или любых ощутимых изменениях в работе устройства, способных повлиять на его функциональность (например, значительный износ или обесцвечивание из-за длительного воздействия ультрафиолета), при обнаружении таковых дефектов необходимо немедленно сообщить об этом своему протезисту/врачу.

Пользователь должен быть предупрежден о необходимости сообщать своему протезисту о любых значимых изменениях в массе тела и/или уровне двигательной активности (например, при переезде на постоянное место жительства из городской в сельскую местность).

6 Ограничения при Эксплуатации

Срок службы

Срок службы устройства покрывается гарантийным сроком - необходимо провести индивидуальную оценку рисков на основании двигательной активности пользователя и ожидаемых условий эксплуатации устройства.

Подъем Тяжестей

Ограничения зависят от веса пользователя и его уровня двигательной активности. При переносе тяжестей пользователем должна быть учтена локальная оценка степени риска.

Условия Эксплуатации

Данное устройство является влагозащищенным и допускает погружение в воду на глубину до 1м.

После эксплуатации устройства в нижеследующих средах для предотвращения износа или повреждения частей протезной системы необходимо тщательно промыть устройство проточной пресной водой:

- абразивные среды, содержащие пыль, песок или гравий
- эксплуатация в соленой или хлорированной воде

Загерметизируйте устройство, чтобы предотвратить попадание воды (см. Сборочные Инструкции). Если в устройство попала вода, переверните его, чтобы дать воде стечь, а затем высушите.

Устройство допускается эксплуатировать только в температурном диапазоне от -15 °C до +50 °C (от 5 °F до 122 °F).



Влагозащищенное устройство
Подходит для погружения в воду

7 Сборочные Инструкции

Последующие инструкции данного раздела предназначены только для протезиста.



Всегда используйте соответствующее оборудование для охраны здоровья и безопасности, включая индивидуальные средства защиты и вытяжные устройства.



Всегда помните о потенциальной опасности защемления пальцев кисти руки рабочими механизмами протеза.

1



Изготовьте гильзу протеза с применением подходящего одноболтового формователя торца гильзы. В дистальной части гильзы вырежьте отверстие диаметром 27 мм. Поместите гильзовую пластину внутрь гильзы. Установите входящие в комплект крепежные части юстировки. Минимальная толщина гильзы 6мм.

2



Нанести немного резьбового фиксатора Loctite 243 на резьбу болта проксимального крепления гильзы. Затяните болт с усилием в 35 Нм. Используйте гаечный ключ (940060), для предотвращения прокручивания гильзовой пластины.

3



Нанести немного резьбового фиксатора Loctite 243 на резьбу болта. Соберите дистальный верхний корпус установив шайбу и гайку так, как это показано на рисунке, затяните с усилием в 35Нм после проведения юстировки.

4

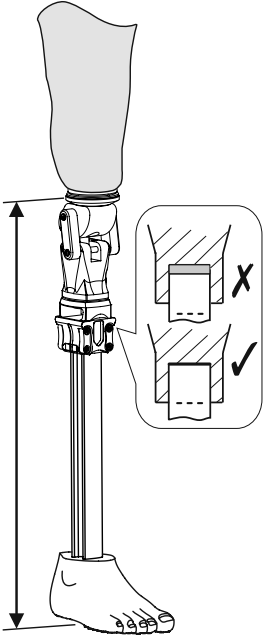
Возможно Вам будет проще, если перед установкой верхнего корпуса Вы установите несущий модуль голени.

Убедитесь в том, что несущий модуль голени полностью входит в посадочную часть верхнего корпуса, см. рисунок в Разделе Стеновая Юстировка.

8 Рекомендации по сборке

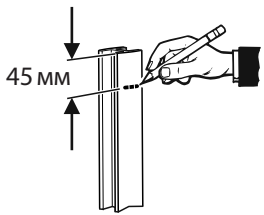
Последующие инструкции данного раздела предназначены только для протезиста.

1



Установите голень в посадочное место верхнего корпуса до полного вхождения. Измерьте длину и определите на какое расстояние нужно будет обрезать несущий модуль голени.

2



45 мм

Еще раз тщательно измерьте требуемую длину голени.

3



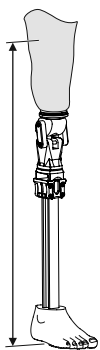
Удалите голень из кожи, обрежьте ее по длине, после чего снова соберите конструкцию, и проверьте правильность отреза.

4



Равномерно затяните стяжные винты с усилием в 5 Нм, при этом затягивать винты следует попеременно, по крайней мере, два раза для каждого винта. Примерный порядок затягивания винтов, для получения равномерного затягивания приведен на рисунке.

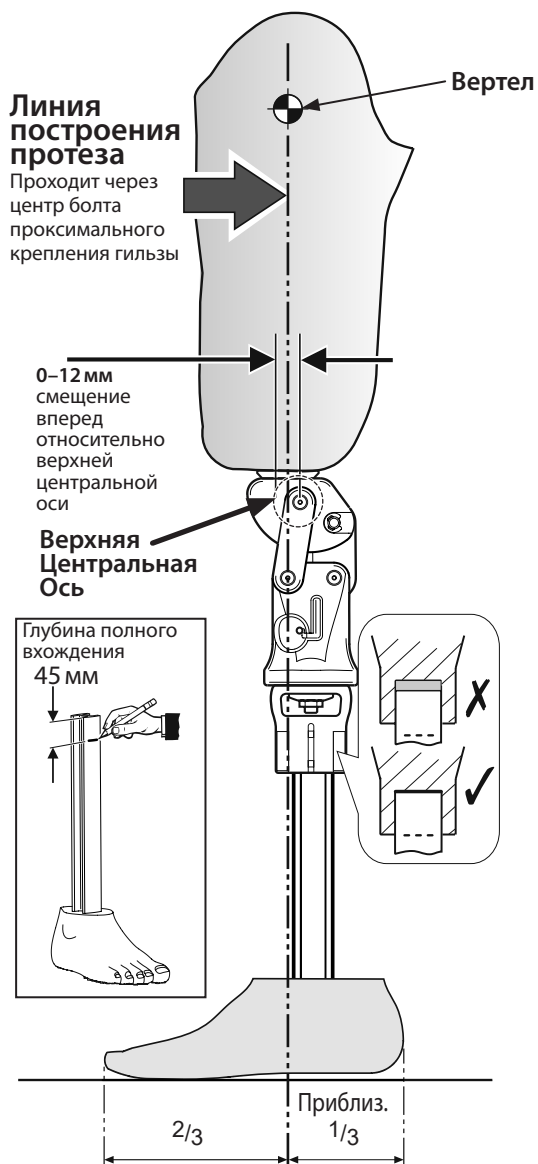
5



Проверьте длину конструкции протеза и правильность юстировки. Затяните все крепления после проведения динамической юстировки.

9 Стендовая Юстировка

Последующие инструкции данного раздела предназначены только для протезиста.



10 Динамическая Юстировка

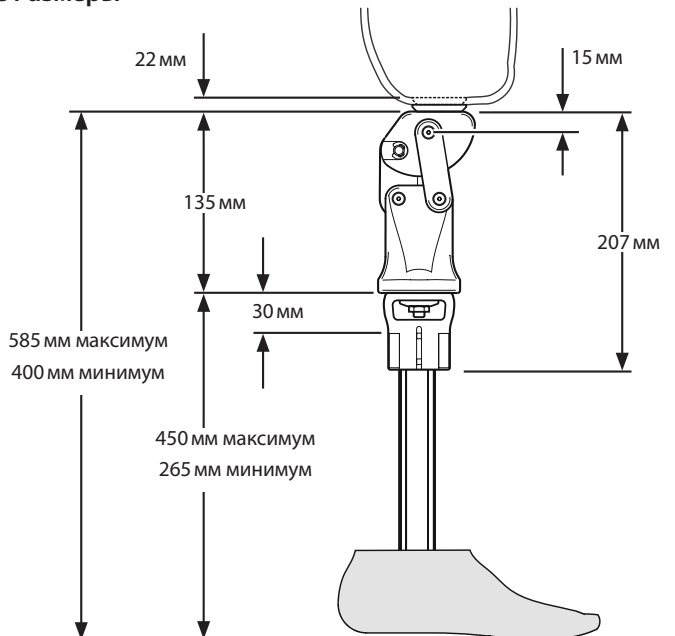
Проведите юстировку так, как это показано в Разделе Стеновая Юстировка. Если пользователю требуется коррекция длины протезной конструкции, а также проведение сдвиговой, вращательной или угловой юстировок, то потребуется ослабление резьбовых соединений, затем проведение процедуры юстировки, по окончании которой производится затягивание дистальных и проксимальных юстировочных частей протезной системы.

После проведения любых юстировок убедитесь в том, что линия нагрузки не смещена назад относительно верхней центральной оси коленного модуля.

11 Спецификация

Температурный Диапазон Хранения и Эксплуатации:	от -15 °C до +50 °C от 5 °F до 122 °F
Вес Изделия (для размера 26):	2 кг (4.4 фунта)
Уровень Двигательной Активности:	1-2
Максимальный Вес Пользователя:	100 кг
Проксимальное крепление-юстировка:	Одноболтовая юстировка Blatchford
Высота Конструкции: (см. диаграмму, приведенную ниже)	400–585 мм

Сборочные Размеры



12 Информация для Заказа

Пример Заказа:

AQ	TF	25	L
На бедро	Размер	Сторона: (L - Левая/R - Правая)	

Размерный ряд с 22 по 27:

AQTF22L–AQTF27R

например: AQTF25L, AQTF26R

Заменяемые части

Описание	Шифр
Проксимальный юстировочный комплект для Аквапротеза Голени (Aqualimb TF)	169205
Коленный амортизатор	622310
Проксимальный болт M10 x 55, нержавеющая сталь	910420
Гаечный ключ	940060

Ответственность

Изготовитель рекомендует использовать данное устройство только в указанных условиях и предусмотренных целях. Обслуживание устройства должно проводиться согласно прилагаемой к устройству инструкции по эксплуатации. Производитель не несет ответственности за ущерб, вызванный применением комбинацией компонентов, не разрешенной изготовителем.

Соответствие Стандартам Евросоюза CE

Данное изделие соответствует требованиям Евростандарта EU 2017/745 для медицинских изделий. Данное изделие относится к категории устройств класса I в соответствии с критериями классификации, изложенными в Приложении VIII данного Стандарта. Сертификат соответствия стандартам Евросоюза можно получить на сайте компании: www.blatchford.co.uk.



Медицинское
устройство



Индивидуальное многократное
использование

Совместимость

Допускаются комбинации изделий производства компании Blatchford на основании тестирования по соответствующим стандартам, в том числе и стандартам на медицинские устройства (MDR), включая структурные испытания, совместимость размеров и другие контролируемые эксплуатационные характеристики.

Комбинация с альтернативными изделиями, имеющими маркировку соответствия стандартам Евросоюза CE должна производиться с учетом оценки локальной степени риска, проводимой компетентным специалистом.

Гарантийные Обязательства

Гарантия на данное устройство составляет 24 месяца.

Пользователь должен быть предупрежден о том, что любые изменения в конструкции изделия или его модификация, не согласованные с изготовителем, аннулируют гарантию.

Для получения подробной информации о гарантии, пожалуйста, обратитесь к сайту компании Blatchford.

Побочные Эффекты и Инциденты

Возникновение побочных эффектов и серьезных инцидентов, связанного с данным устройством, маловероятно, тем не менее, в случае возникновения таковых, следует сообщить об этом производителю и представителю Blatchford в вашем регионе.

Экологические Аспекты

По возможности утилизируйте данное устройство в соответствии с правилами местного законодательства по утилизации и обращению с отходами.

Сохранение Этикетки на Упаковке

Протезисту рекомендуется сохранять этикетку на упаковке, поскольку она содержит необходимые данные о поставляемом устройстве.

Торговые Марки

Blatchford является зарегистрированной торговой маркой компании Blatchford Products Limited.

Зарегистрированный Адрес Производителя

Blatchford Products Limited, Lister Road, Basingstoke RG22 4AH, UK.

目录.....	80
1 说明及设计用途.....	81
2 安全须知.....	82
3 构造.....	83
4 功能.....	84
5 维护.....	85
6 使用限制.....	86
7 装配说明.....	87
8 安装说明.....	88
9 工作台对线.....	89
10动态对线.....	90
11技术数据.....	90
12订购须知.....	91

1 说明及设计用途

本使用说明供假肢技师和用户使用,除非另有说明。

在本使用说明中频繁出现的“装置”一词用于指代 AqualimbTF。

请确保您阅读并充分理解使用说明的所有内容,尤其是安全须知和维护部分。

用途

本装置仅作为下肢假肢的一部分使用。

供单人使用。

本装置是一种专为膝上用户设计的膝关节假体。

本装置具有防水性,是一种**仅**供淋浴时使用的假肢。

功能及特性

- 具有几何稳定性的 4 杆膝关节
- 手动膝关节锁(HOKL)
- 耐腐蚀

活动等级

本装置适用于 1 级和 2 级活动等级的用户。3 级和 4 级活动等级的用户只有在将活动限制在 2 级范围内时才能使用本装置。

1 级活动等级

具有用假肢以固定步频在水平面上活动或行走的能力或潜力。通常为室内的受限或不受限活动者。

2 级活动等级

具有行走的能力或潜力,能够跨越低矮的环境障碍物,如路缘石、台阶或不平坦表面。通常为社区活动者。

3 级活动等级

具备以不同步频行走的能力或潜力。能够跨越大多数环境障碍物,可能需要在假肢的辅助下从事简单活动以外的职业、治疗或锻炼类活动,通常为社区活动者。

4 级活动等级

具有用假肢行走的能力或潜力,行走技能超过基础水平,表现出高冲击力、应力或能量等级。通常为有假肢需求的儿童、活跃型成年人或运动员。


不适用











- 本装置不适用于强度高于 2 级的任何活动。
- 自主控制能力不足的用户应将本装置锁定后再行使用。
- 不适用于小腿截肢用户。

临床优势

- 允许用户在淋浴时以及潮湿环境中使用假肢。

2 安全须知

 该警告标志用于强调必须认真遵守的重要安全信息。

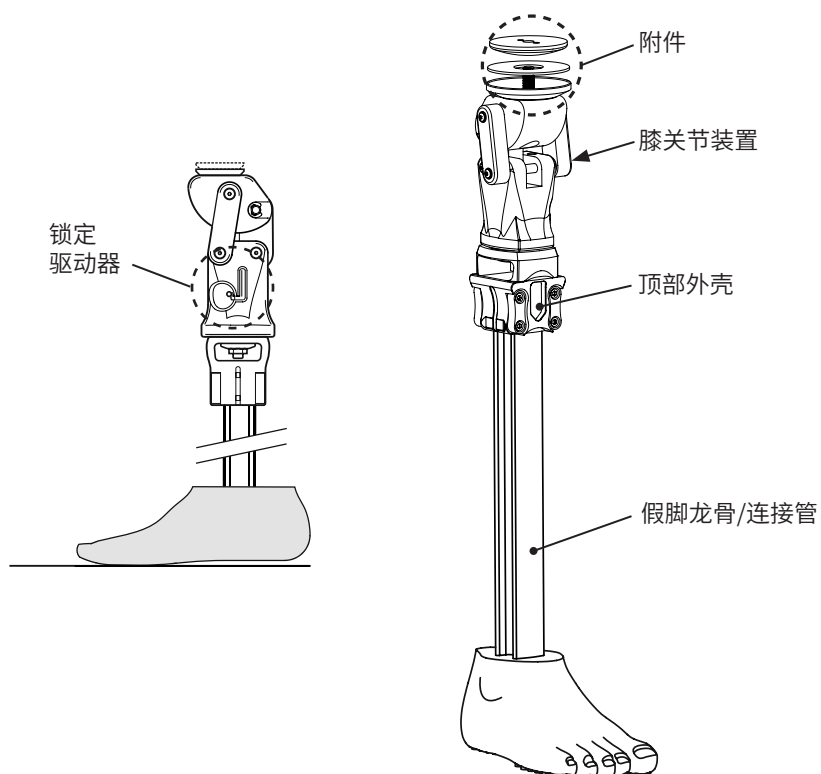
-  本装置的性能若有任何变化(如出现间隙、不稳定性、锁体不啮合),或摆动阻力有任何变化,应立即报知服务提供商。
-  应采取所有必要的安全措施,并在湿滑表面采取应有的防护措施。
-  建议用户在身体状况出现变化时及时联系假肢技师。
-  严禁用户自行调节或改动本装置的设置。
-  避免暴露于极端高温和/或寒冷环境中。
-  本装置不适合极限运动、赛跑、骑行比赛、冰雪运动、极陡坡面和台阶。用户从事任何上述活动都须自行承担一切风险。
-  始终注意手指安全,防止夹伤。
-  本装置的组装、维护和修理只能由具备适当资质的假肢技师来进行。
-  膝关节的摆动自由度在膝关节干燥、潮湿和/或被污染(比如被肥皂污染)的情况下会略有不同。
-  本装置专为长时间浸没而设计,但只适合在淡水中浸没。请确保每次在水中使用时都遵守第 6 节“使用限制”中的要求。

3 构造

主要部件

- 膝关节装置 缩醛均聚物、不锈钢
- 顶部外壳 玻璃纤维增强尼龙
- 假脚龙骨/连接管 玻璃纤维增强尼龙/聚氨酯 (PU)
- 附件 不锈钢/铝合金

部件识别



4 功能

该膝关节采用多中心设计,所含枢轴通过三个连杆臂将上关节头连接至主体。假体的锁紧槽内有一个手动型弹簧加载销。找准此销后可将其与上关节头啮合,然后将膝关节锁定在完全伸展状态。外壳用螺栓固定到膝关节末端面上,其内夹着一个假脚/连接管部件。连接管可以缩短,以适应用户需求。脚底采用防滑踏面。

膝关节锁的操作

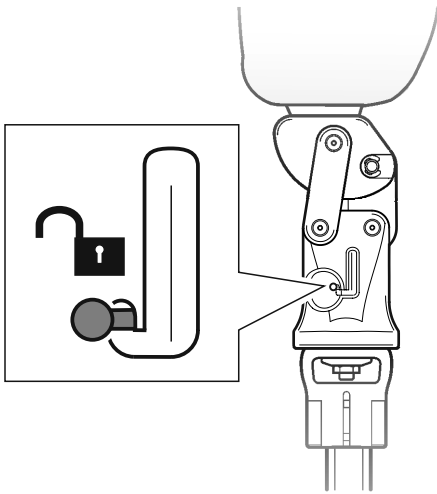


如需使用锁定模式,请确保行走或淋浴之前,膝关节锁驱动器已完全啮合。

此锁须手动操作。要锁定膝关节,请将驱动器从下位脱开,然后完全伸展膝关节,将驱动器上推至顶部位置,确保驱动器完全啮合到位,如图所示。

膝关节解锁

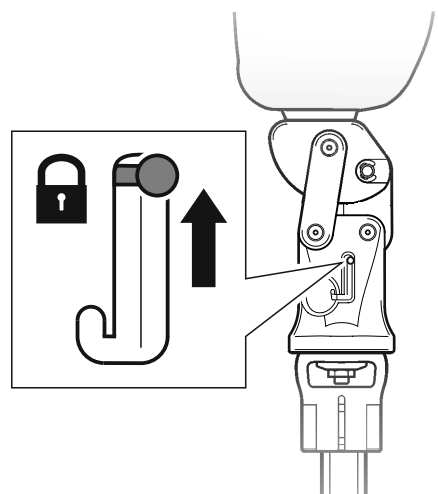
驱动器处在下位



所示为自由模式下的膝关节。
膝关节完全伸展时锁体不啮合。

膝关节锁定

驱动器在顶部位置完全啮合



所示为锁定到位的膝关节。

5 维护

定期对本装置进行目视检查。

本装置的性能若有任何变化,如异响、硬度增加或旋转受限/过度、长时间暴露于紫外线环境所导致的严重磨损或褪色,都应报知假肢技师/服务提供商。

体重和/或活动等级发生任何变化时,都应报知假肢技师/服务提供商。

清洁

用湿布与温性肥皂清洁外表面。**不得使用**腐蚀性清洁剂,清洁后擦干。

本节其余内容仅供假肢技师使用。

维护操作只能由合格人员(假肢技师或经过专业训练的技术人员)进行。

以下常规维护操作应至少每年进行一次:

- 检查近端连接螺母和末端对线螺栓是否稳固。
- 检查膝关节锁的功能和摆动自由度是否理想。
- 目视检查磨损情况。使用一段时间后可能会出现轻微的表面损伤,这不会影响本装置的功能和强度。

用户须知:

- 本装置的性能若有任何变化,应立即报知假肢技师。

性能变化可能包括:

- 活动部件有间隙
- 锁体未啮合
- 不稳定

检查膝关节减震器的状况,必要时进行更换。

确保用户阅读并理解所有安全和用户级维护信息。

应建议用户定期对本装置进行目视检查,如发现可能影响功能的磨损迹象(例如:由于长时间暴露于紫外线环境而导致的严重磨损或褪色),应报知服务提供商。

告知用户:体重和/或活动等级发生任何变化时,都应报知假肢技师/服务提供商。

6 使用限制

预期使用寿命

在保修期内提供产品使用寿命保障 — 应根据活动等级和使用情况进行局部风险评估。

负重

用户的体重和活动应遵守所述限制。用户应根据局部风险评估结果进行负重。

环境

本装置的最大防水深度为 1 米。

为防止磨损或损坏, 在以下环境中使用后, 请用淡水彻底冲洗本装置:

- 磨蚀性环境, 例如含沙/砂环境;
- 含盐或含氯的水中。

给本装置进行包装处理, 以防止水分进入(参阅装配说明)。如果有水进入, 请将其倒置以排干水分, 然后晾干。


仅限在 -15°C 至 50°C 范围内使用。




适合浸没

7 装配说明

本节内容仅供假肢技师使用。

 应始终使用适当的健康与安全设备，包括拆取设施。

 始终注意手指安全，防止夹伤。

1



使用适当的 Blatchford 单螺栓模型制作接受腔。在接受腔末端切出一个直径 27 毫米的孔。将接受腔安装板置于接受腔内。装配随附的对线零件。接受腔最小厚度 6 毫米。

2



给近端对线螺栓涂抹乐泰 243 防松胶并拧紧至 35 牛米。请使用销子扳手 (940060)，以避免接受腔安装版发生转动。

3



在螺栓螺纹上涂抹乐泰 243 防松胶。如图所示，用螺母和垫片装配末端顶部外壳，对线后拧紧至 35 牛米。

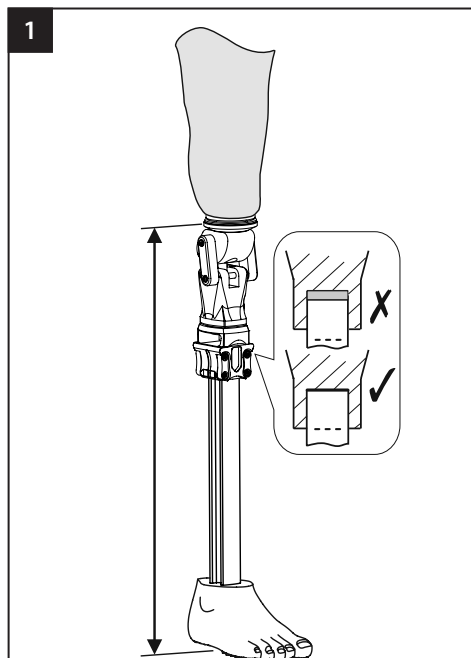
4

先安装连接管，再装配顶部外壳可能会容易一些。

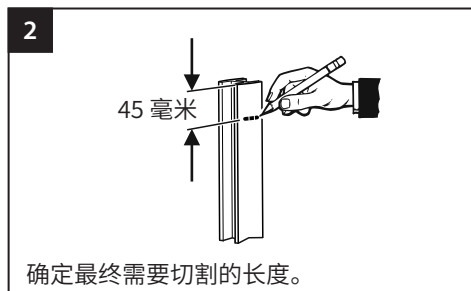
确保连接管完全接合，参见“工作台对线”一节中的图表。

8 安装说明

本节内容仅供假肢技师使用。



将接管安装到外壳上，确保完全啮合。
测量长度，以确定需要从接管上切下的量。



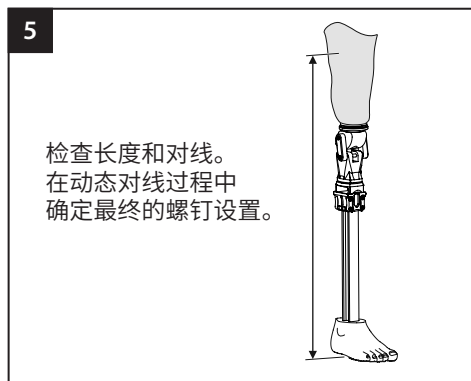
确定最终需要切割的长度。



将接管从外壳上取下，切至适当长度，
重新装配，然后进行测量。



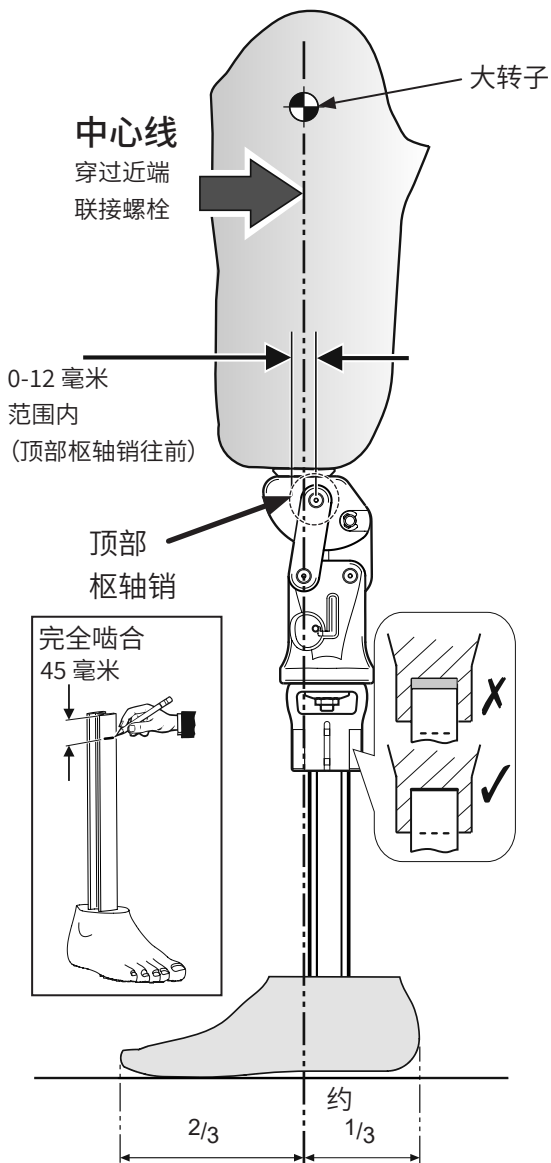
均匀拧紧各夹紧螺钉，以 5 牛米的扭矩将每个螺钉拧紧至少两次。图中为紧固顺序示例，此顺序有助于均匀分布载荷。



检查长度和对线。
在动态对线过程中
确定最终的螺钉设置。

9 工作台对线

本节内容仅供假肢技师使用。



10 动态对线

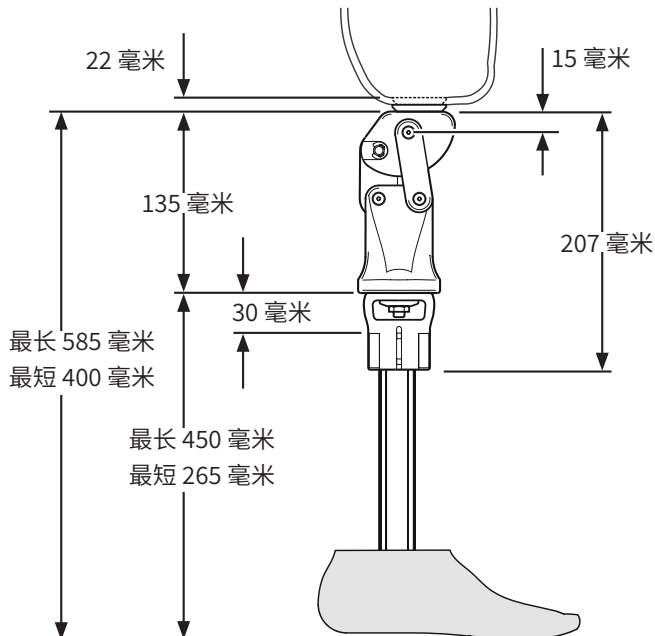
按“工作台对线”所示方法进行设置, 如果用户需要调整, 通过拧松、调节和重新拧紧末端及近端对线固定件即可完成长度、平移、旋转和角度调整。

在完成任何调整之后, 确保对线不在顶部枢轴销后面。

11 技术数据

使用和存放温度范围:	-15°C 至 50°C
部件总重量 (24 码):	2 kg
活动等级:	1-2
用户体重上限:	100 kg
近端对线附件:	Blatchford 单螺栓对线
结构高度: (见下图)	400-585 毫米

安装高度



12 订购须知

订单示例

AQ	TF(大腿截肢)	25	L
	大腿	尺码	所在侧 (L - 左 / R - 右)

有 22 码至 27 码可选:

AQTF22L-AQTF27R

如:AQTF25L、AQTF26R

替换件

部件	部件号:
Aqualimb 大腿假肢近端对线套件	169205
膝关节减震器	622310
近端螺钉 M10 x 55 ST STL	910420
销子扳手	940060

免责声明

制造商建议只在指定条件下和设计用途范围内使用本装置。本装置必须按照随附的使用说明进行维护。对于因使用未经制造商授权的任何部件组合而造成的任何不良后果，制造商概不负责。

欧盟合规认证

本产品符合欧盟第“2017/745”号医疗器械法规的要求。根据该法规“附录 8”所列分类规则，本产品被归为 I 类医疗器械。查看欧盟《符合性声明》证书请访问下方网址：www.blatchford.co.uk



医疗器械



单人 - 多次使用

兼容性

如需将其他产品与 Blatchford 品牌的产品组合使用，须根据相关标准和医疗器械法规进行测试（包括结构测试、尺寸兼容性测试和现场性能监测），测试通过后方可获准。

与其他具有 CE 认证标识的产品组合使用时，必须遵循假肢技师出具的局部风险评估意见。

保修

本装置保修期为 24 个月。

用户应注意，在未经明确许可的情况下对装置进行改动或改装，可能会造成保修、使用牌照和免责条款失效。

最新完整保修声明见 Blatchford 网站。

严重事故报告

使用本装置不大可能发生严重事故，如若发生，应报知制造商以及您所在国家的主管部门。

环保事项

应尽可能根据当地的废物处理法规对部件进行回收处理。

保留包装标签

建议假肢技师保留包装标签，作为所购装置的一份记录。

商标确认

Blatchford 是 Blatchford Products Limited 的注册商标。

制造商注册地址

Blatchford Products Limited, Lister Road, Basingstoke RG22 4AH, UK. (英国)

93	المحتويات	
94	الوصف والغرض من الاستخدام	١
95	معلومات السلامة	٢
96	التركيب	٣
97	الوظيفة	٤
98	الصيانة	٥
99	قيود الاستخدام	٦
100	إرشادات التجميع	٧
101	إرشادات التركيب	٨
102	المحاذاة على طاولة العمل	٩
103	المحاذاة أثناء الحركة	١٠
103	البيانات الفنية	١١
104	معلومات الطلب	١٢

١ الوصف والغرض من الاستخدام

أُعِدَّت إرشادات الاستخدام الماثلة بهدف أن يستخدمها كل من الممارس والمستخدم ما لم يُنص على خلاف ذلك. تُستخدم كلمة جهاز متى وَرَدَتْ في إرشادات الاستخدام الماثلة للإشارة إلى منتج "AqualimbTF". يُرجى قراءة كل ما جاء في إرشادات الاستخدام والتأكد من فهمها، وخاصةً جميع معلومات السلامة وتعليمات الصيانة.

الاستخدام

لا يستخدم هذا الجهاز إلا بوصفه جزءًا من طرف صناعي سفلي. مخصص لمستخدم واحد.

هذا الجهاز عبارة عن ركلة صناعية مصممة لمرضى البتر من فوق الركبة.

هذا الجهاز مقاوم للماء ومخصص للاستخدام فقط كطرف صناعي أثناء الاستحمام.

الميزات

- ركلة رباعية القضبان مستقرة هندسيًا
- قفل ركلة يعمل يدويًا (HOKL)
- مقاومة للتآكل

مستوى النشاط

هذا الجهاز مُصمَّم للأشخاص الذي يُمارسون نشاطًا من المستويين 1 و 2. لا يجوز للأشخاص الذي يُمارسون نشاطًا من المستويين 3 و 4 استخدام هذا الجهاز إلا إذا قصرُوا أنشطتهم على مستوى النشاط 2.

مستوى النشاط 1

القدرة على أو إمكانية استخدام الطرف الصناعي في عمليات الانتقال أو السير على الأسطح المستوية بإيقاع ثابت. وهو المستوى المعتاد للقادرين على السير في المنزل بسرعة محدودة وغير محدودة.

مستوى النشاط 2

القدرة على أو إمكانية السير مع القدرة على اجتياز الحواجز البيئية منخفضة المستوى مثل الرُصْفان، أو السلام، أو الأسطح غير المستوية. وهو المستوى المعتاد للقادرين على السير والتنقل في المجتمع باستقلالية بسرعة محدودة.

مستوى النشاط 3

القدرة على أو إمكانية السير بإيقاع متغير. عادةً ما يُقصد بذلك الأشخاص القادرين على السير والتنقل في المجتمع باستقلالية ممن لديهم القدرة على اجتياز معظم العوائق البيئية ويُحتمل أن يمارسوا نشاطًا مهنيًا أو علاجيًا أو ترفيهيًا يتطلب استخدام طرف صناعي لغرض أكبر من مجرد التنقل.

مستوى النشاط 4

القدرة على أو إمكانية السير باستخدام طرف صناعي مخصص لغرض يتخطى مهارات السير الأساسية، مع تحقيق مستويات مرتفعة من التأثير أو الضغط أو الطاقة. وعادةً ما تكون تلك هي متطلبات الطرف الصناعي للأطفال أو البالغين النشطين أو الرياضيين.

موانع الاستخدام










- ينبغي ألا يُستخدم هذا الجهاز في أي نشاط أعلى من مستوى النشاط 2.
- يجب على المستخدمين الذين ليس لديهم تحكم إرادي كافٍ استخدام الجهاز وهو مقفل فقط.
- غير مخصص للاستخدام من قبل مستخدمي أجهزة أسفل الركبة.

المنافع السريرية

- يسمح للمستخدم بارتداء الطرف الصناعي أثناء الاستحمام وفي البيئات الرطبة.

٢ معلومات السلامة

يبرز رمز التحذير هذا معلومات السلامة المهمة التي يجب اتباعها بعناية. 

-  توخ الحذر طوال الوقت لتفادي خطر انحشار الإصبع.
-  يجب أن يتم تركيب الجهاز وصيانتته وإصلاحه فقط من جانب مُمارِس مؤهل تأهيلاً مناسباً.
-  ستختلف حرية تأرجح الركبة قليلاً بين الركبة عندما تكون جافة وعندما تكون مبللة و/أو ملوثة بالصابون على سبيل المثال.
-  الجهاز مصمم للغمر بالماء لفترات طويلة ومناسب للغمر بالماء العذب فقط. تأكد من توافق أي استخدام للجهاز في الماء مع الشروط الواردة في القسم ٦ قيود الاستخدام.
-  يجب إبلاغ مزود الخدمة على الفور بأي تغييرات في الأداء (على سبيل المثال: تقلقل، عدم استقرار، القفل لا يُعشَق) أو تغييرات في مقاومة التأرجح.
-  اتخذ جميع احتياطات السلامة اللازمة وإجراءات العناية الواجبة على الأسطح المبللة والزلقة.
-  ينبغي توجيه النصيحة للمستخدم بالاتصال بالممارِس المسؤول عنه إذا تغيّرت حالته.
-  يجب ألا يُغيّر المستخدم إعدادات الجهاز أو يعبث بها.
-  تجنّب تعريضه إلى درجات الحرارة الشديدة و/أو البرودة القارصة.
-  الجهاز غير مناسب لممارسة الرياضات العنيفة أو سباقات الدراجات أو الجري أو رياضات التزلج على الجليد والثلج أو السير على المنحدرات والمرتفعات الوعرة. أي ممارسة لهذه الأنشطة تكون على مسؤولية المستخدمين الخاصة بشكل تام.

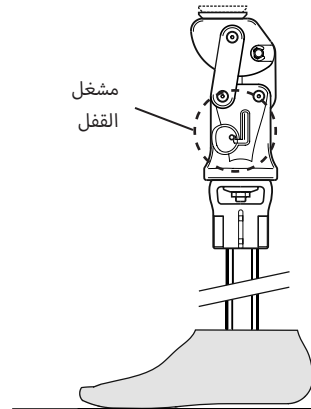
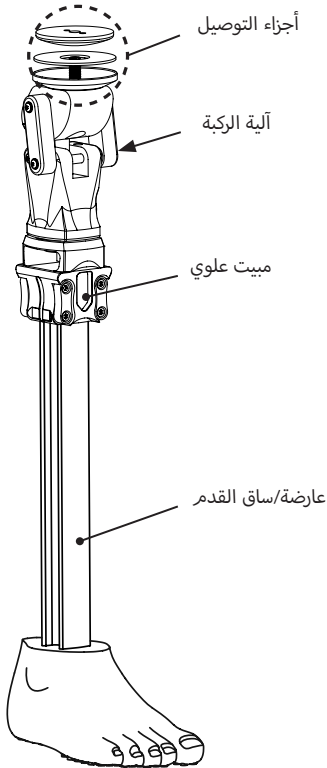
٣ التركيب

الأجزاء الرئيسية

- بوليمر الأستيتال المتجانس، الفولاذ المقاوم للصدأ
- نايلون معزز بالألياف الزجاجية
- بولي يوريثان/نايلون معزز بالألياف الزجاجية
- الفولاذ المقاوم للصدأ/سبائك الألومنيوم

- آلية الركبة
- مبيت علوي
- عارضة/ساق القدم
- أجزاء التوصيل

تحديد المكونات



٤ الوظيفة

تتميز الركبة بتصميم متعدد المراكز يشتمل على محاور تربط الهيكل بالجسم الرئيسي عبر ثلاثة أذرع ربط. يقوم الدبوس الذي يعمل يدويًا المحمّل بنابض بالعمل داخل أذدود مزود بمزلاق في الهيكل. قد يكون الدبوس موجودًا للتعشيق في الهيكل وقفل الركبة في وضع البسط الكامل. يتم تثبيت مبيت في الجانب القاصي من الركبة حيث يتم قمت مكون القدم/الساق. يمكن تقصير الساق لتناسب المستخدم. يتميز نعل القدم بمداس ذي نمط مانع للانزلاق.

عملية قفل الركبة

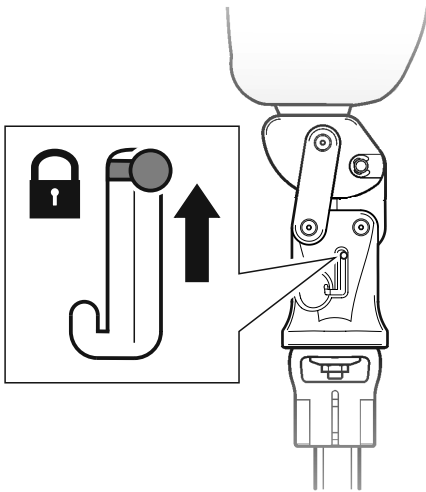
إذا كان وضع القفل مطلوبًا، فتأكد من تعشيق مشغل القفل بالكامل قبل المشي أو الاستحمام.



القفل يعمل يدويًا. لقفل الركبة، حرر المشغل من الموضع السفلي ثم ابسط الركبة تمامًا وادفع المشغل لأعلى إلى الموضع العلوي، وتأكد من أن المشغل معشق بالكامل كما هو موضح.

الركبة مقفلة

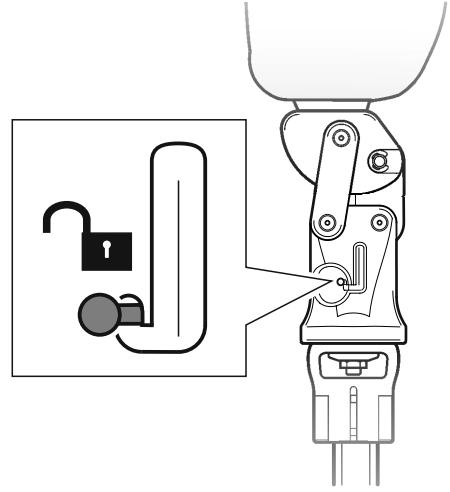
المشغل معشق بالكامل في الموضع العلوي



تظهر الركبة مع تفعيل آلية القفل.

الركبة غير مقفلة

المشغل في الموضع السفلي



تظهر الركبة في الوضع الحر.

لن يتم تعشيق القفل عند بسط الركبة بالكامل.

٥ الصيانة

يتعين فحص الجهاز بشكلٍ مُنتظم عن طريق المعاينة البصرية.

ينبغي إبلاغ المُمارِس/مُقدِّم الخدمة بأيّ تغيرات تطرأ على أداء الجهاز، بما يتضمن على سبيل المثال صدور ضجيج غير مُعتاد أو زيادة الصلابة أو الدوران المحدود/المفرط أو التآكل الشديد أو التغير البالغ في اللون جراء التعرض طويل الأمد للأشعة فوق البنفسجية.

كما يتعين أيضاً إبلاغ المُمارِس/مُقدِّم الخدمة بأيّ تغيرات تطرأ على وزن الجسم و/أو مستوى النشاط.

التنظيف

استخدم قطعة قماش رطبة وصابوناً لطيفاً لتنظيف الأسطح الخارجية. **تجنب** استخدام المنظفات القوية وقم بالتنظيف عن طريق المسح بقماشة جافة.

بقية الإرشادات الواردة في هذا القسم مُوجَّهة للممارِس فقط.

يجب إجراء أعمال الصيانة من خلال مختصين مؤهلين (مُمارِس أو فني مُؤهل تأهيلاً مُناسباً).

يجب إجراء أعمال الصيانة الروتينية الآتية سنوياً على أقل تقدير:

- تحقق من إحكام ربط صامولة التوصيل الدائنة ومسمار المحاذاة اللولبي القاصي.
- تحقق من عمل قفل الركبة وحرية التآرجح بشكل مرضٍ.
- تحقق بصرياً من عدم وجود تآكل. ربما يتعرّض الجهاز لأضرار سطحية عقب استخدامه لفترة، ولكن لن تؤثر مثل هذه الأضرار على أداء الجهاز أو متانته.

ينبغي إبلاغ المستخدم بما يلي:

- يجب إبلاغ الممارِس بأيّ تغيرات في أداء هذا الجهاز.

قد تشمل التغيرات في الأداء ما يلي:

- "تقلقل" في الأجزاء المتحركة
- قفل لا يُعشَق
- عدم الاستقرار

تحقق من حالة مصد الركبة واستبدله إذا لزم الأمر.

تأكد من أن المُستخدم قد قرأ وفهم جميع المعلومات المتعلقة بالسلامة والصيانة التي ينفذها المستخدم.

انصح المستخدم بوجوب فحص ومعاينة الجهاز بصرياً بشكلٍ دوري وإبلاغ مُقدِّم الخدمة بأيّ علامات تآكل قد تؤثر على عمل الجهاز (مثل التآكل الشديد أو التغير البالغ في اللون نتيجة التعرض الطويل للأشعة فوق البنفسجية) و/أو أيّ تغيرات في الأداء.

انصح المستخدم بإبلاغ المُمارِس/مُقدِّم الخدمة بأيّ تغيرات تطرأ على وزن الجسم و/أو مستوى النشاط.

٦ قيود الاستخدام

العمر التشغيلي المستهدف

فترة خدمة المنتج مغطاة بفترة الضمان – ينبغي إجراء تقييم محلي للمخاطر بناءً على النشاط والاستخدام.

رفع الأحمال

وزن المستخدم ونشاطه يخضعان للحدود المذكورة. يجب أن يستند الحمل الذي يحمله المستخدم إلى تقييم المخاطر المحلية.

البيئة

هذا الجهاز مقاوم للماء حتى عمق 1 متر كحد أقصى.

لمنع التلف أو التآكل، اشطف هذا الجهاز جيداً بالمياه العذبة بعد استخدامه في البيئات التالية:

- البيئات التي يحدث فيها احتكاك، مثل تلك التي تحتوي على الرمل أو الحصى؛
- الماء المالح أو المعالج بالكلور.

قم بالانتهاء من تركيب هذا الجهاز بالكامل لمنع دخول الماء (انظر إرشادات التجميع). في حال دخول ماء للجهاز، فاقلبه لتصرف الماء ثم اتركه ليجف.

للاستخدام فقط في درجة حرارة تتراوح بين 15°- مئوية و50° مئوية.

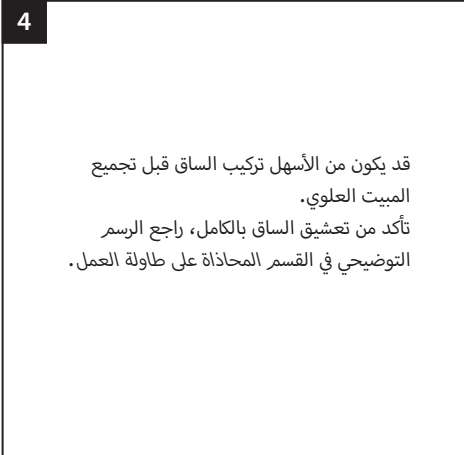


٧ إرشادات التجميع

الإرشادات الواردة في هذا القسم مُوجهة للممارس فقط.

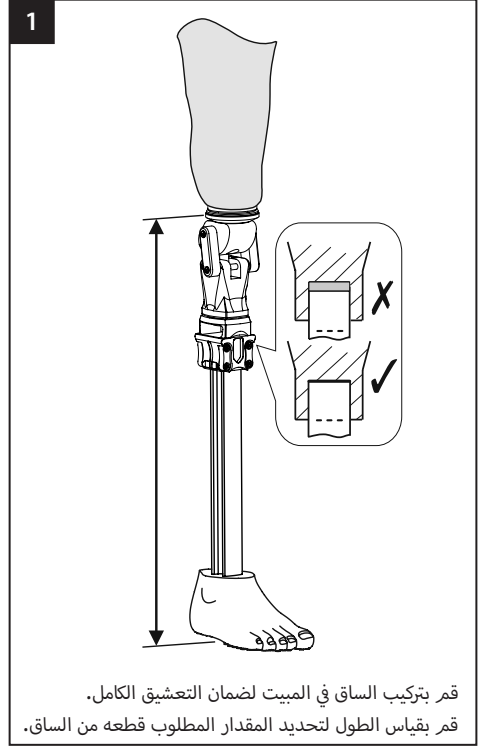
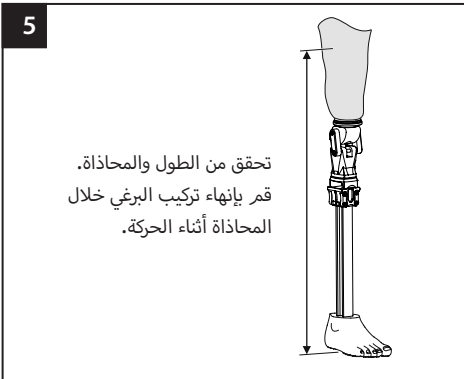
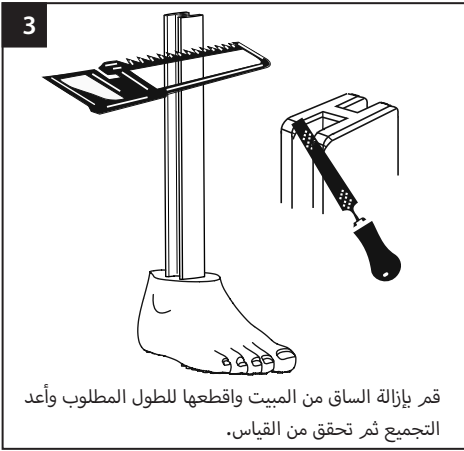
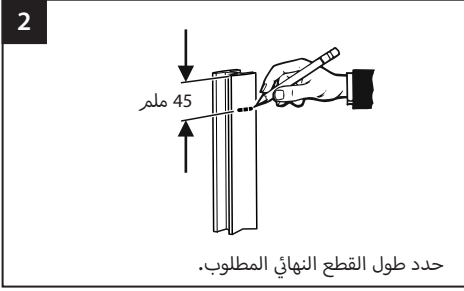
⚠ استخدم معدات الصحة والسلامة المناسبة في كل الأوقات، بما في ذلك معدات الاستخراج.

⚠ توخ الحذر طوال الوقت لتفادي خطر انحسار الإصبع.



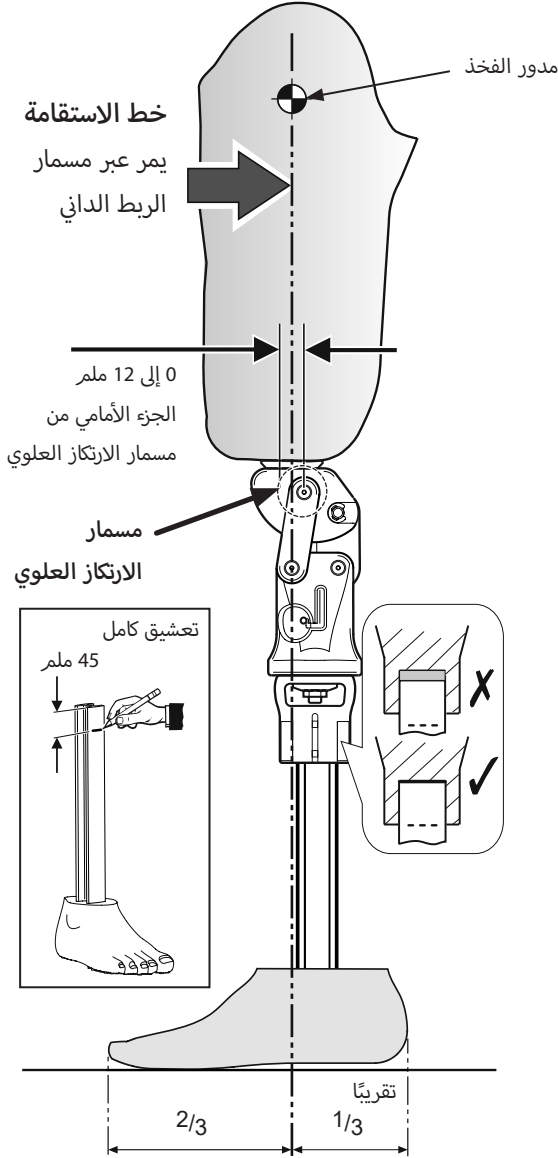
٨ إرشادات التركيب

الإرشادات الواردة في هذا القسم مُوجهة للممارس فقط.



٩ المحاذاة على طاولة العمل

الإرشادات الواردة في هذا القسم مُوجهة للممارس فقط.



١٠ المحاذاة أثناء الحركة

قم بالإعداد كما هو موضح في المحاذاة على طاولة العمل. في حالة كان المستخدم يحتاج إلى ضبط الطول والإزاحة والدوران والزاوية، فعمليات الضبط هذه متاحة عن طريق فك وضبط وإعادة ربط مثبتات المحاذاة القاصية والدائرية. تأكد بعد إجراء أي عمليات ضبط أن خط الحمل ليس خلف مسمار الارتكاز العلوي.

١١ البيانات الفنية

15° إلى 50° مئوية

نطاق درجة حرارة التشغيل والتخزين:

2 كجم

الوزن الإجمالي للمكوّن الأساسي (مقاس 24):

2-1

مستوى النشاط:

100 كجم

الوزن الأقصى للمستخدم:

مسمار محاذاة لولبي واحد من Blatchford

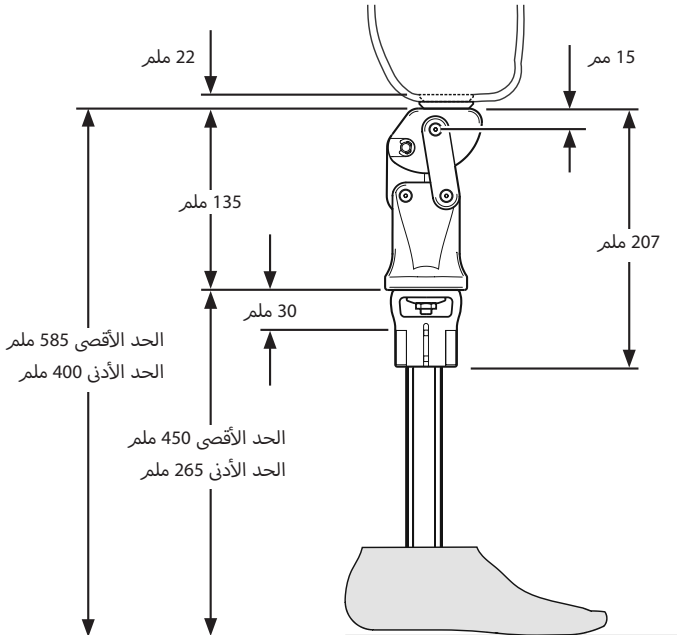
وصلة المحاذاة الدائرية:

400 إلى 585 ملم

ارتفاع الهيكل:

(انظر الرسم التوضيحي أدناه)

طول الأجزاء



١٢ معلومات الطلب

مثال على طلب الشراء

مُتوفر بالمقاسات من 22 إلى 27:

AQTF22L-AQTF27R

AQ	TF	25	L
----	----	----	---

أعلى الركبة

المقاس

الجانب

(L - الأيسر/ R - الأيمن)

مثال AQTF25L، AQTF26R

قطع الغيار

رقم القطعة	القطعة
169205	طقم المحاذاة الدانية أعلى الركبة Aqualimb
622310	مصد الركبة
910420	البرغي الداني M10 x 55 من الفولاذ المقاوم للصدأ
940060	مفتاح ربط

المسؤولية

توصي الجهة المصنعة بقصر استخدام الجهاز على الظروف المحددة وأعراض الاستخدام المقصودة. يجب صيانة الجهاز وفقاً لإرشادات الاستخدام المرفقة مع الجهاز. لن تتحمل الجهة المصنعة أي مسؤولية عن أي نتائج سلبية ناجمة عن أي مجموعة مكونات لم تصرح باستخدامها مع الجهاز.

المطابقة لمواصفات المفوضية الأوروبية (CE)

يستوفي هذا المنتج متطلبات اللائحة الأوروبية 2017/745 EU للأجهزة الطبية. تم تصنيف هذا المنتج كجهاز من الفئة 1 وفقاً لقواعد التصنيف الموضحة في الملحق الثامن من اللائحة. تتوفر شهادة إعلان المطابقة للمواصفات الأوروبية على الموقع الإلكتروني التالي: www.blatchford.co.uk

مريض واحد - استخدامات متعددة



جهاز طبي



التوافق

اعتمدت عملية الاستخدام مع المنتجات التي تحمل علامة Blatchford استناداً إلى اختبارات أجريت طبقاً للمعايير ذات الصلة ولوائح الأجهزة الطبية متضمنة الاختبار الهيكلي وتوافق الأبعاد والأداء الميداني المرصود. ويجب أن يتم الاستخدام المتزامن مع المنتجات البديلة التي تحمل علامة المطابقة الأوروبية (CE) في ضوء تقييم المخاطر المحلية الموثق والذي يطلع به أحد الممارسين.

الضمان

هذا الجهاز مشمول بضمان مدته 24 شهراً.

يجب أن يدرك المستخدم أن إجراء التغييرات أو التعديلات غير المعتمدة صراحة من شأنها أن تبطل الضمان وتراخيص التشغيل والإعفاءات.

يرجى الرجوع إلى موقع Blatchford الإلكتروني للحصول على بيان الضمان الكامل الحالي.

الإبلاغ عن الحوادث الخطيرة

في حالة وقوع حادث خطير غير متوقع يتعلق بهذا الجهاز، يجب إبلاغ الجهة المصنعة والسلطة الوطنية المختصة لديك.

الجوانب البيئية

يجب إعادة تدوير المكونات وفقاً للوائح المحلية للتعامل مع النفايات حيثما أمكن.

الاحتفاظ بملصق التغليف

يُنصح الممارس بالحفاظ على ملصق التغليف باعتباره مستنداً يُثبت اقتناء الجهاز.

إقرارات العلامة لتجارية

Blatchford هي علامة تجارية مسجلة لصالح شركة Blatchford Products Limited.

العنوان المسجل للجهة المصنعة

Blatchford Products Limited, Lister Road, Basingstoke RG22 4AH, UK

blatchford.co.uk/distributors

Blatchford Products Ltd.

Unit D Antura
Kingsland Business Park
Basingstoke
RG24 8PZ
UNITED KINGDOM
Tel: +44 (0) 1256 316600
Fax: +44 (0) 1256 316710
Email: customer.service@blatchford.co.uk
www.blatchford.co.uk

Blatchford Inc.

1031 Byers Road
Miamisburg
Ohio 45342
USA
Tel: +1 (0) 800 548 3534
Fax: +1 (0) 800 929 3636
Email: info@blatchfordus.com
www.blatchfordus.com

Blatchford Europe GmbH

Am Prime-Parc 4
65479 Raunheim
GERMANY
Tel: +49 (0) 9221 87808 0
Fax: +49 (0) 9221/87808 60
Email: info@blatchford.de
www.blatchford.de

Email: contact@blatchford.fr
www.blatchford.fr

Endolite India Ltd.

A4 Naraina Industrial Area
Phase - 1
New Delhi
INDIA – 110028
Tel: +91 (011) 45689955
Fax: +91 (011) 25891543
Email: endolite@vsnl.com
www.endoliteindia.com

Ortopro AS

Hardangervegen 72
Seksjon 17
5224 Nesttun
NORWAY
Tel: +47 (0) 55 91 88 60
Email: post@ortopro.no
www.ortopro.no



Blatchford Europe GmbH
Am Prime-Parc 4
65479 Raunheim Germany

