

Proximal Pyramid Adapter Kit

Instructions for Use

239017, 239089

EN	Instructions for Use	2
SL	Navodila za uporabo	15
BG	Инструкции за употреба	28
HR	Upute za uporabu	41
SK	Návod na použitie	54
HU	Használati útmutató	67
EL	Οδηγίες χρήσης	80
LV	Lietošanas pamācība	93
LT	Naudojimo instrukcija	106
ET	Kasutusjuhend	119

Contents



Contents	2
1 Description and Intended Purpose	3
2 Safety Information	4
3 Construction	5
4 Function.....	6
5 Maintenance	6
6 Limitations on Use	7
7 Bench Alignment.....	7
7.1 Static Alignment.....	7
7.2 Dynamic Alignment	7
8 Fitting Advice.....	8
8.1 Dynamic Pylon Products	8
8.2 Mercury Knee	9
8.3 ESK+ 4 Bolt Chassis.....	10
8.4 Linx, Orion3	10
8.5 KX06V2/ KX07	11
9 Technical Data	12
10 Ordering Information	12

1 Description and Intended Purpose

These Instructions for Use are intended for use by the practitioner and user unless otherwise stated.

The term *device* is used throughout these instructions for use to refer to the Proximal Pyramid Adapter Kit.

Please read and ensure you understand all instructions for use, in particular all safety information and maintenance instructions.

Application

The device is designed for use exclusively as part of a lower limb prosthesis.

The device is approved for use with Blatchford modular components.

Intended for single user only.

Activity Level

This device is suitable for activity levels 1 to 4; weight limits apply, see *Technical Data*, Section 8. Of course there are exceptions and in our recommendation we want to allow for unique, individual circumstances and any such decision should be made with sound and thorough justification.

Activity Level 1

Has the ability or potential to use a prosthesis for transfers or ambulation on level surfaces at fixed cadence. Typical of the limited and unlimited ambulator.

Activity Level 2

Has the ability or potential for ambulation with the ability to traverse low level environmental barriers such as curbs, stairs, or uneven surfaces. Typical of the limited community ambulator.

Activity Level 3

Has the ability or potential for ambulation with variable cadence.

Typical of the community ambulator who has the ability to traverse most environmental barriers and may have vocational, therapeutic, or exercise activity that demands prosthetic utilization beyond simple locomotion.

Activity Level 4

Has the ability or potential for prosthetic ambulation that exceeds basic ambulation skills, exhibiting high impact, stress, or energy levels. Typical of the prosthetic demands of the child, active adult, or athlete.

Contraindications

- Only for use with Blatchford devices.
- 239089 - Not for use if rotation required.
- Use only with the dome in the correct orientation.

Clinical Benefits

- **Allows a connection between the prosthetic knee or pylon to other prosthetic componentry, which can be customised to optimise alignment.**

2 Safety Information



This warning symbol highlights important safety information which must be followed carefully.



Any changes in the performance or function of the device e.g. unusual noises should be immediately reported to your service provider.



Always use a hand rail when descending stairs and at any other time if available.



Avoid exposure to extreme heat and/or cold.



To reduce the risk of injury due to failure or loosening of the screw connections ensure the bolt threads are cleaned thoroughly before each installation.



The device is designed for prolonged submersion and suitable for immersion in fresh water only. Ensure any use of the device in water complies with the conditions given in Section 6 *Limitations on Use*.



Be aware of finger trap hazard at all times.



Assembly, maintenance and repair of the device must only be carried out by a suitably qualified clinician that has attended an approved training course.



The user must not adjust or tamper with the setup of the device.



The user should be advised to contact their practitioner if their condition changes.



Always apply the specified torque value to bolt. Never replace the bolt with an alternative bolt. Always use the bolt specified.

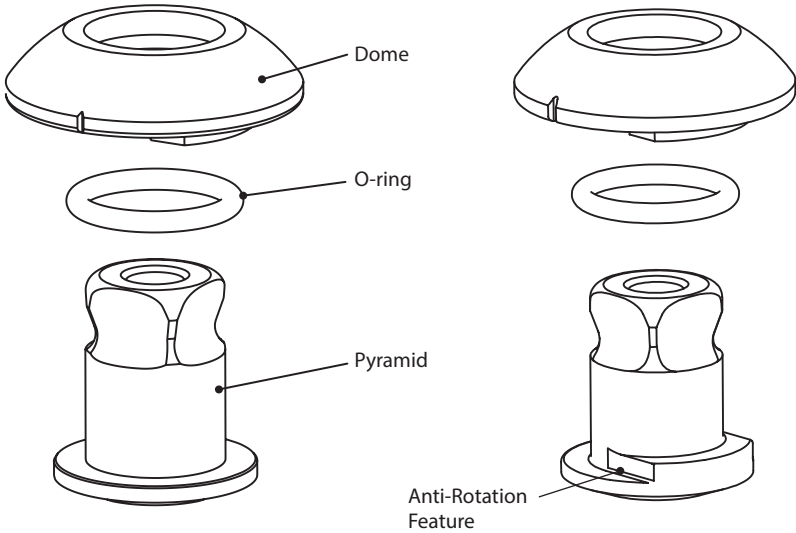


Ensure only suitably retrofitted vehicles are used when driving. All persons are required to observe their respective driving laws when operating motor vehicles.

3 Construction

Principal Parts

- Pyramid
 - Dome
 - O-ring
- Titanium
Aluminum
Nitrile Rubber



239017

239089

4 Function

Allows attachment between a Blatchford pyramid system and Blatchford components with “T” slot.

Allows A-P slide and rotation when used in conjunction with a Blatchford “T” slot.

The non-rotating version of the device allows for slide function only.

5 Maintenance

Visually check the device regularly.

Report any changes in performance of this device to the practitioner/service provider.

Changes in performance may include:

- Any unusual noise
- Any play or loss alignment

Inform the practitioner/service provider of any changes in body weight and/or activity level.

Cleaning

Use a damp cloth and mild soap to clean outside surfaces, do not use aggressive cleansers.

The remaining instructions in this section are for practitioner use only.

Maintenance must be carried out only by competent personnel (practitioner or suitable trained technician).

Carry out the following routine maintenance at least annually:

- Ensure all screws are secure. If not remove and clean screws, reapply Loctite and tighten all screws to the correct torque settings.
- Check for visual defects that may affect proper function.

Ensure the user has read and understood all safety and user-level maintenance information.

Advise the user that a regular visual check of the device is recommended and signs of wear, deterioration or corrosion that may affect function should be reported to their service provider.

Advise the user to inform the practitioner/service provider of any changes in body weight and/or activity level.

6 Limitations on Use

Intended Life

A local risk assessment should be carried out based upon activity and usage.

Lifting Loads

User weight and activity is governed by the stated limits.

Load carrying by the user should be based on a local risk assessment.

Environment

This device is waterproof to a maximum depth of 1 meter.

Thoroughly rinse with fresh water after use in abrasive environments such as those that may contain sand or grit, for example, to prevent wear or damage to moving parts.

Thoroughly rinse with fresh water after use in salt or chlorinated water.



Suitable for submersion

Exclusively for use between -15 °C and 50 °C
(5 °F to 122 °F).

7 Bench Alignment

The instructions in this section are for practitioner use only.

7.1 Static Alignment

Adjust the alignment (A-P slide and tilt (and rotation 239017)) in combination with interfacing adapters to properly accommodate flexion, adduction or abduction. Ensure that the wearer can stand in a stable position with the heel and toe are evenly loaded.

7.2 Dynamic Alignment

Coronal Plane

Ensure that M-L thrust is minimal by adjusting relative positions of socket and foot.

Sagittal Plane

Adjust relative positions of Prosthetic components to achieve a smooth, stable transition from heel strike to toe-off.

Note... Ensure that the wearer can stand in a stable position with the heel and toe are evenly loaded.

8 Fitting Advice

The instructions in this section are for practitioner use only.

Avoid extremes of alignment.

To ensure the correct range of A-P slide ensure the dome is fitted the correct way around or orientated correctly. Ensure the anti-rotation feature of 239089 is assembled correctly.

To avoid loss of alignment in use, ensure interfacing pyramid alignment screws are torqued and secured correctly.

Position as close to the build line as possible, if possible avoid extremes of alignment.

Key to following Diagrams

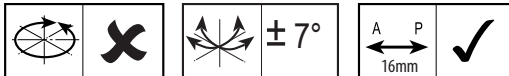
- * = Anti-rotation feature posterior
- ** = Anti-rotation feature anterior

8.1 Dynamic Pylon Products

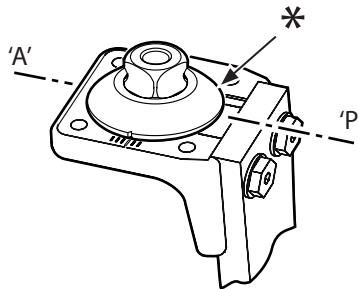
239017



239089

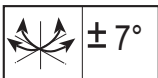
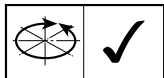


938306



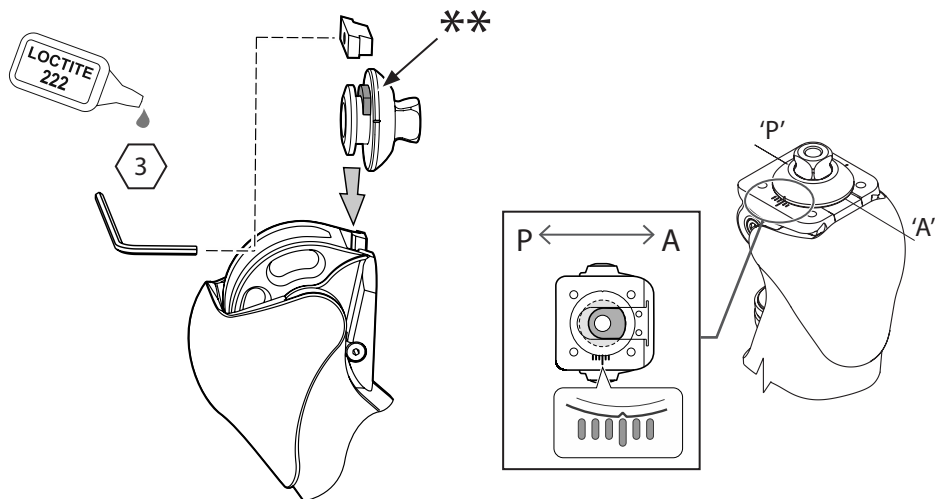
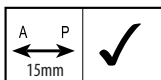
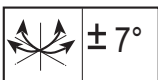
8.2 Mercury Knee

239017



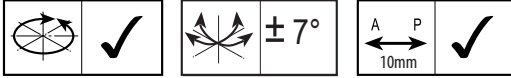
938251

239089



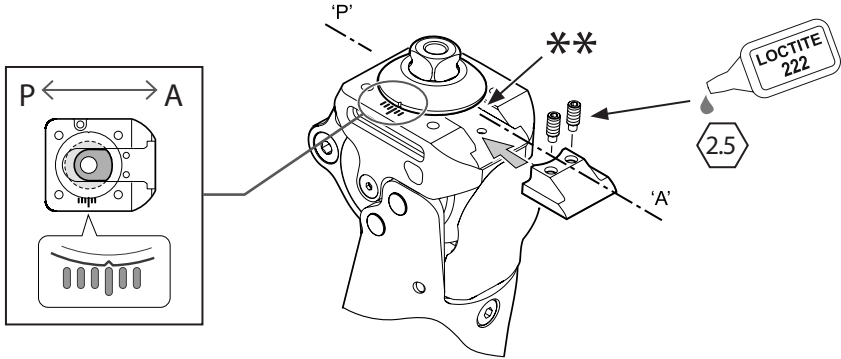
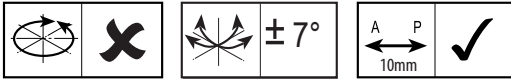
8.3 ESK+ 4 Bolt Chassis

239017



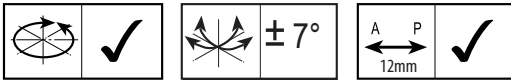
938205

239089



8.4 Linx, Orion3

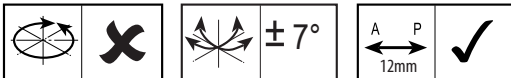
239017



Linx

938353

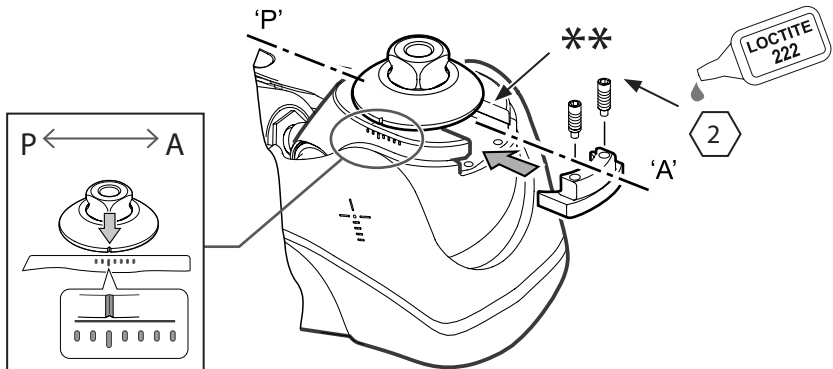
239089



Orion3

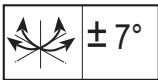
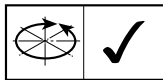


938374



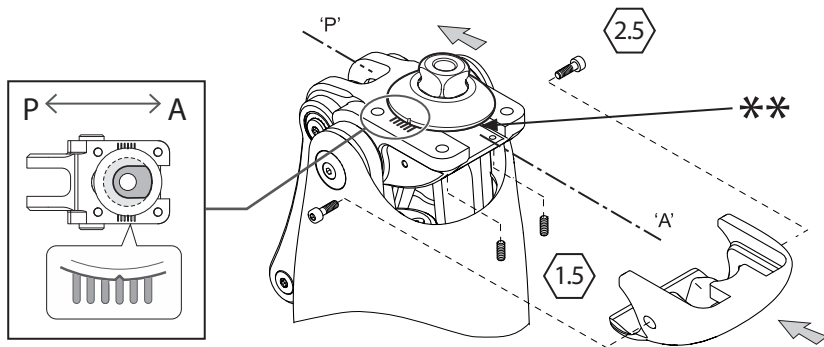
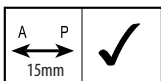
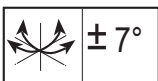
8.5 KX06V2/ KX07

239017



938409

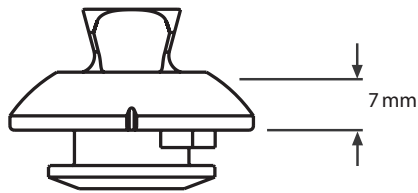
239089



9 Technical Data

Operating and Storage Temperature Range:	-15°C to 50°C (5°F to 122°F)
Component Weight:	50 g
Activity Level:	1–4
Maximum User Weight:	166 kg (366 lb)
Build Height:	7 mm

Fitting Length



10 Ordering Information

Part Numbers

239017 Male Pyramid Adapter–Rotating

239089 Male Pyramid Adapter–Non-rotating

Liability

The manufacturer recommends using the device only under the specified conditions and for the intended purposes. The device must be maintained according to the instructions for use supplied with the device. The manufacturer is not liable for any adverse outcome caused by any component combinations that were not authorized by them.

CE Conformity

This product meets the requirements of the European Regulation EU 2017/745 for medical devices. This product has been classified as a class I device according to the classification rules outlined in Annex VIII of the regulation. The EU declaration of conformity certificate is available at the following internet address: www.blatchford.co.uk.



Medical Device



Single Patient – multiple use

Compatibility

Combination with Blatchford branded products is approved based on testing in accordance with relevant standards and the MDR including structural test, dimensional compatibility and monitored field performance.

Combination with alternative CE marked products must be carried out in view of a documented local risk assessment carried out by a Practitioner.

Warranty

This device is warranted for 24 months.

Foot shell is warranted for 12 months.

Glide sock is warranted for 3 months.

This warranty does not apply to consumable parts including the vacuum tubing, in-line filter and valves unless a failure has occurred due to a defect in materials or workmanship.

The user should be aware that changes or modifications not expressly approved could void the warranty, operating licenses and exemptions.

See the Blatchford website for the current full warranty statement.

Reporting of Serious Incidents

In the unlikely event of a serious incident occurring in relation to this device it should be reported to the manufacturer and your national competent authority.

Environmental Aspects

This product is fabricated from a polyurethane that cannot be easily recycled: please dispose of it responsibly as general waste, as per local waste handling regulations.

Where possible the components should be recycled in accordance with local waste handling regulations.

Retaining the Packaging Label

You are advised to keep the packaging label as a record of the device supplied.

Trademark Acknowledgements

Avalon and Blatchford are registered trademarks of Blatchford Products Limited.

Manufacturer's Registered Address

Blatchford Products Limited, Lister Road, Basingstoke RG22 4AH, UK.

Vsebina.....	15
1 Opis in namen uporabe	16
2 Varnostne informacije	17
3 Konstrukcija.....	18
4 Delovanje	19
5 Vzdrževanje.....	19
6 Omejitve uporabe.....	20
7 Poravnava sestava.....	20
7.1 Statična poravnava.....	20
7.2 Dinamična prilagoditev	20
8 Nasvet za namestitev.....	21
8.1 Izdelki z dinamično palico.....	21
8.2 Koleno Mercury.....	22
8.3 4-vijačno ogrodje ESK+	23
8.4 Linx, Orion3	23
8.5 KX06V2/ KX07	24
9 Tehnični podatki.....	25
10 Podatki za naročanje.....	25

1 Opis in namen uporabe

Ta navodila za uporabo so predvidena za zdravnika in uporabnika, razen če je navedeno drugače. Izraz *pripomoček* se v teh navodilih za uporabo uporablja za komplet proksimalnega piramidnega adapterja.

Preberite in poskrbite, da boste razumeli vsa navodila za uporabo, predvsem vse varnostne informacije in navodila za vzdrževanje.

Uporaba

Pripomoček je predviden izključno kot del proteze za spodnje okončine.

Pripomoček je odobren za uporabo z modularnimi komponentami Blatchford.

Predvideno samo za enega uporabnika.

Stopnja aktivnosti

Pripomoček je primeren za stopnje aktivnosti 1–4; upoštevati je treba omejitve teže, glejte *Tehnični podatki*, razdelek 8. Seveda pa obstajajo izjeme, zato pri našem priporočilu dopuščamo možnost edinstvenih, posameznih okoliščin, odločitev o tem pa je treba sprejeti na osnovi temeljite presoje.

Stopnja aktivnosti 1

Ima sposobnost ali potencial uporabljati protezo za transferje oz. premikanje po ravnih površinah z enakomernim korakom. Običajno omejeno in neomejeno pokretna oseba.

Stopnja aktivnosti 2

Ima sposobnost ali potencial za premikanje s sposobnostjo premagovanja nizkih ovir, kot so robniki, stopnice ali neravne površine. Običajno je to omejeno pokretna oseba v javnosti.

Stopnja aktivnosti 3

Ima sposobnost ali potencial za premikanje s spremenljivim korakom.

Običajno pokretna oseba, ki lahko premaga večino okoljskih ovir in morda opravlja poklicno, terapevtsko ali fizično aktivnost, ki zahteva uporabo proteze, ki presega zgolj preprosto gibanje.

Stopnja aktivnosti 4

Ima sposobnost ali potencial za hojo s protezo, ki presega osnovne sposobnosti hoje, in je izpostavljena močnim udarcem, visokim obremenitvam ali visokim ravnem energije. Običajno za zahteve za protezo otroka, aktivne odrasle osebe ali športnika.

Kontraindikacije

- Samo za uporabo s pripomočki Blatchford.
- 239089 – ni za uporabo, če je potrebno vrtenje.
- Uporabljajte samo s pravilno usmerjeno kupolo.

Klinične prednosti

- **Omogoča povezavo med protetičnim kolenom ali palico in drugo protetično komponento, ki jo je mogoče prilagoditi za optimizacijo poravnave.**

2 Varnostne informacije



Ta opozorilni simbol poudarja pomembne varnostne informacije, ki jih je treba natančno upoštevati.



Morebitne spremembe v delovanju pripomočka, kot so npr. neobičajni zvoki, je treba nemudoma javiti ponudniku storitve.



Pri hoji po stopnicah navzdol in vedno, ko je sicer mogoče, je treba uporabljati držala.



Ne izpostavljajte ekstremni vročini in/ali mrazu.



Za zmanjšanje tveganja telesnih poškodb zaradi odpovedi ali zrahljanja vijačnih povezav je treba pred vsako namestitvijo temeljito očistiti navoje vijakov.



Pripomoček je zasnovan za dolgotrajno potopitev, in sicer samo v sladko vodo. Preverite, ali so pri uporabi tega pripomočka v vodi upoštevani pogoji, navedeni v razdelku 6 *Omejitve uporabe*.



Bodite pozorni, saj obstaja nevarnost, da se vam prsti ujamejo.



Pripomoček lahko sestavi, vzdržuje in popravlja samo ustrezno usposobljeni zdravnik, ki je opravil odobreni tečaj za usposabljanje.



Uporabnik ne sme prilagajati ali spreminjati nastavitve pripomočka.



Uporabniku je treba svetovati, da se naj obrne na svojega zdravnika, če se njegovo stanje spremeni.



Vijak je treba vedno priviti z navedenim zateznim momentom. Vijaka nikoli ne nadomestite z drugim. Vedno uporabite navedeni vijak.

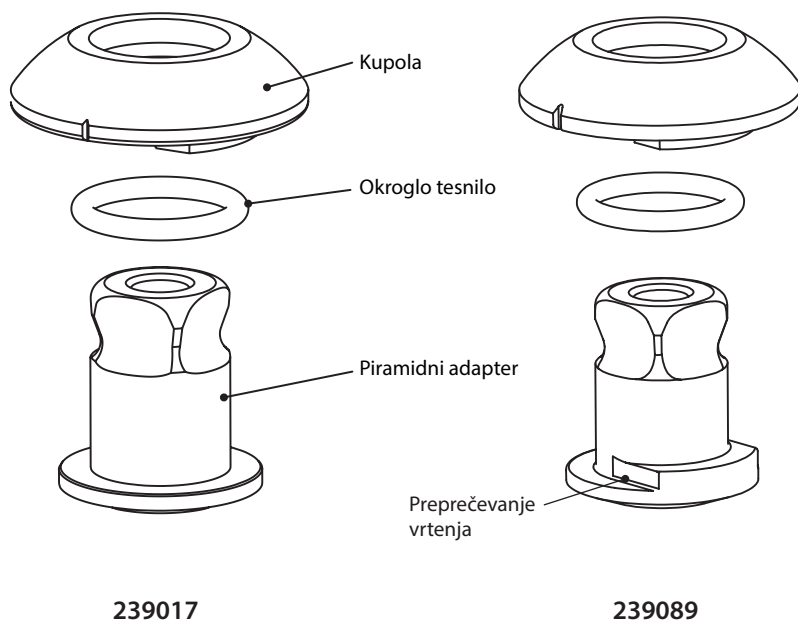


Poskrbeti je treba, da se za vožnjo uporabljajo samo ustrezno predelana vozila. Vse osebe morajo pri upravljanju motornih vozil upoštevati veljavne cestno-prometne predpise v svoji državi.

3 Konstrukcija

Glavni deli

- Piramidni adapter titan
- Kupola aluminij
- Okroglo tesnilo nitrilna guma



4 Delovanje

Omogoča povezavo med piramidnim sistemom Blatchford in komponentami Blatchford s »T-utorom«.

Omogoča premik A–P in zasuk pri uporabi skupaj s »T-utorom« Blatchford.

Različica tega pripomočka, ki se ne vrti, omogoča samo drsno funkcijo.

5 Vzdrževanje

Pripomoček je treba redno vizualno pregledovati.

Morebitne spremembe v delovanju pripomočka je treba sporočiti zdravniku/ponudniku storitve.

Spremembe v delovanju lahko vključujejo:

- kakršenkoli neobičajen zvok;
- prekomerno zračnost ali neporavnanost.

Zdravnika/ponudnika storitve obvestite o morebitnih spremembah v telesni teži in/ali stopnji aktivnosti.

Čiščenje

Z vlažno krpo in blagim milom očistite zunanje površine. Ne uporabljajte agresivnih čistil.

Preostala navodila v tem poglavju so samo za zdravnika.

Vzdrževanje lahko izvaja samo usposobljeno osebje (zdravnik ali ustrezno usposobljeni zdravstveni tehnik).

Naslednja redna vzdrževalna dela je treba izvajati najmanj enkrat letno:

- Preverite, ali so vsi vijaki čvrsto priviti. Če niso, jih odstranite in očistite, nato nanesite lepilo Loctite in jih privijte z ustreznim zateznim momentom.
- Preverite, ali so prisotne vidne poškodbe, ki bi lahko vplivale na pravilno delovanje.

Poskrbite, da bo uporabnik prebral in razumel vse varnostne informacije ter informacije o vzdrževanju, ki ga mora opravljati uporabnik.

Uporabniku svetujte, naj redno vizualno pregleduje pripomoček in če opazi morebitno obrabo, poslabšanje ali korozijo, ki bi lahko vplivala na delovanje, naj o tem obvesti ponudnika storitve.

Uporabniku svetujte, da zdravnika/ponudnika storitve obvesti o morebitnih spremembah v telesni teži in/ali stopnji aktivnosti.

6 Omejitve uporabe

Predvidena uporabna doba

Na osnovi aktivnosti in uporabe je treba opraviti lokalno oceno tveganja.

Dviganje bremen

Glede na težo in aktivnost uporabnika veljajo navedene omejitve.

Pri prenašanju bremena mora uporabnik upoštevati lokalno oceno tveganja.

Okolje

Pripomoček je vodotesen do globine največ 1 m.

Po uporabi v abrazivnih okoljih, kot so tista, ki vsebujejo pesek ali prod, je treba pripomoček temeljito sprati v sladki vodi, da preprečite obrabo ali poškodbo premikajočih se delov.

Pripomoček je prav tako treba temeljito sprati po uporabi v slani ali klorirani vodi.



Primerno za potopitev v tekočine

Izključno za uporabo pri temperaturi med -15 in 50 °C .

7 Poravnava sestava

Navodila v tem poglavju so namenjena samo zdravniku.

7.1 Statična poravnava

Ustrezno prilagodite poravnanoost (premik A-P in nagib (ter zasuk 239017)) v kombinaciji z vmesniškimi adapterji, da zagotovite pravilno fleksijo, krčenje in iztegovanje. Zagotovite, da uporabnik stabilno stoji s peto in prstom enakomerno obremenjenima.

7.2 Dinamična prilagoditev

Čelna ravnina

S prilagoditvijo položajev ležišča in stopala poskrbite, da bo premik M-L minimalen.

Sagitalna ravnina

Prilagodite relativne položaje protetičnih komponent, da dosežete gladek, stabilen prehod s pete na prste.

Opomba... Poskrbite, da bo uporabnik stabilno stal s peto in prstom enakomerno obremenjenima.

8 Nasvet za namestitvev

Navodila v tem poglavju so namenjena samo zdravniku.

Preprečite ekstremne poravnave.

Da bo razpon premika A–P ustrezen, poskrbite, da bo kupola pravilno nameščena oz. usmerjena. Poskrbite, da bo element na 239089, ki preprečuje vrtenje, pravilno sestavljen.

Da preprečite izgubo poravnave, poskrbite, da bodo poravnalni vijaki vmesniškega piramidnega adapterja pravilno in varno pritrjeni.

Postavite čim bližje liniji obremenitve, da preprečite ekstremne poravnave.

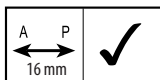
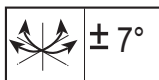
Legenda za uporabo diagramov

* = preprečevanje vrtenja posteriorno

** = preprečevanje vrtenja anteriorno

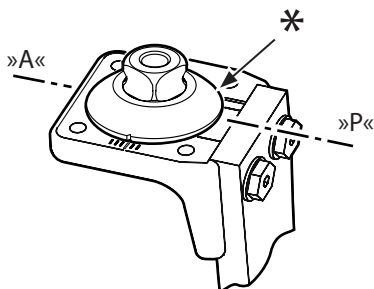
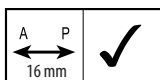
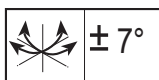
8.1 Izdelki z dinamično palico

239017



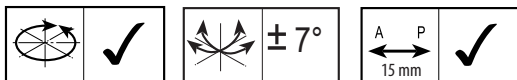
938306

239089

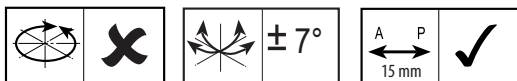


8.2 Koleno Mercury

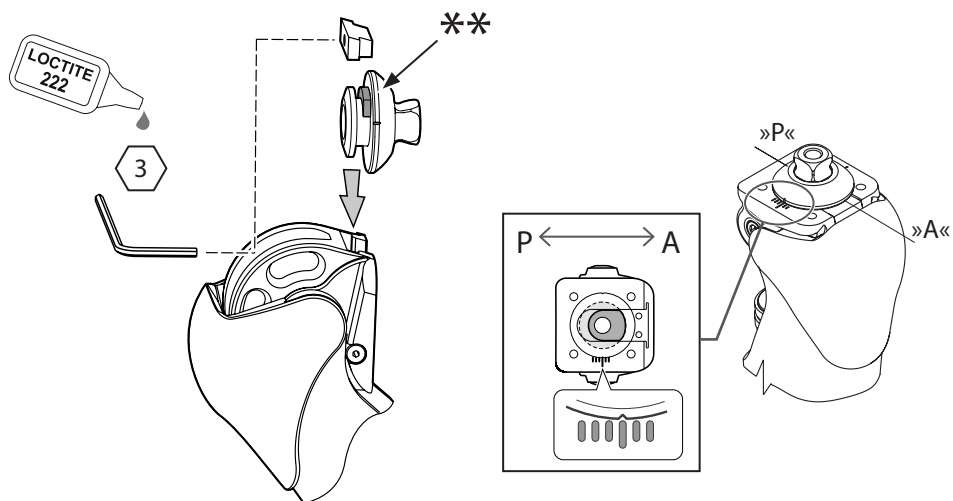
239017



239089

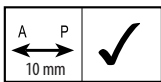
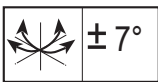
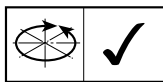


938251



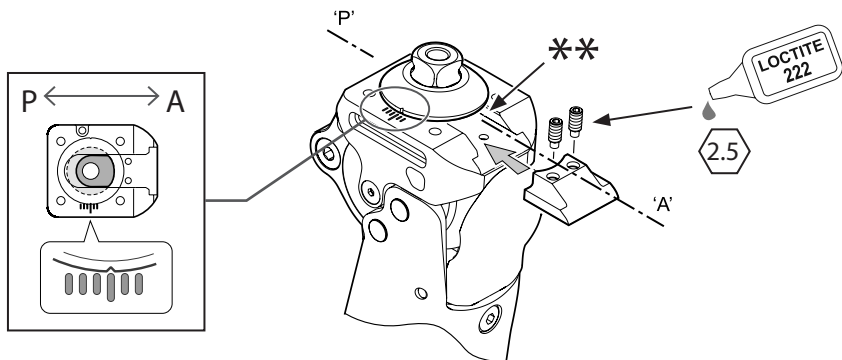
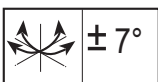
8.3 4-vijačno ogrodje ESK+

239017



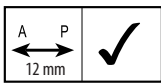
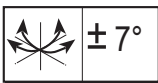
938205

239089



8.4 Linx, Orion3

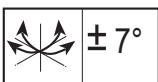
239017



Linx

938353

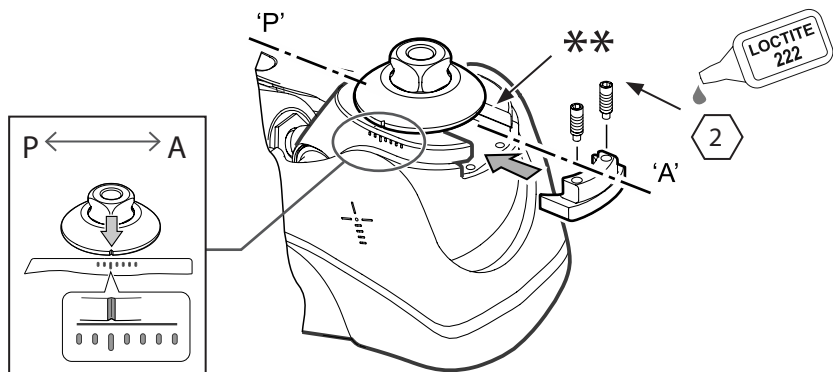
239089



Orion3

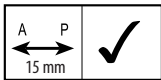
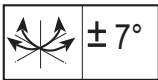
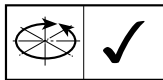


938374



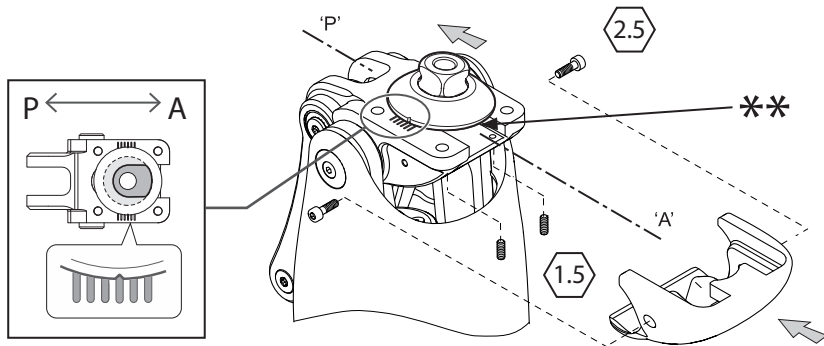
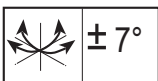
8.5 KX06V2/ KX07

239017



938409

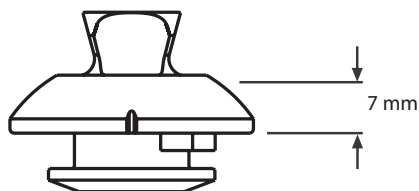
239089



9 Tehnični podatki

Temperaturno območje za uporabo in hrambo:	-15 °C do 50 °C
Teža komponente:	50 g
Stopnja aktivnosti:	1-4
Največja teža uporabnika:	166 kg
Višina sestava:	7 mm

Namestitvena dolžina



10 Podatki za naročanje

Številke delov

239017 Moški piramidni adapter – vrtljiv

239089 Moški piramidni adapter – nevtljev

Odgovornost

Proizvajalec priporoča, da se pripomoček uporablja samo pri specifikiranih pogojih in v predvidene namene. Pripomoček je treba vzdrževati v skladu z navodili, priloženimi pripomočku. Proizvajalec ne prevzema odgovornosti za morebitne neželene posledice, nastale zaradi kakršnih koli kombinacij komponent, ki jih ni odobril.

Skladnost CE

Ta izdelek je v skladu z zahtevami evropske Uredbe EU 2017/745 o medicinskih pripomočkih. Ta izdelek je klasificiran kot izdelek razreda I v skladu z merili za klasifikacijo, navedenimi v prilogi VIII Uredbe. ES-izjava o skladnosti je na voljo na naslednjem spletnem naslovu: www.blatchford.co.uk.



Medicinski pripomoček



Samo za enega bolnika – za večkratno uporabo

Združljivost

Kombiniranje z izdelki znamke Blatchford je odobreno na osnovi preizkusov v skladu z ustreznimi standardi in uredbo o medicinskih pripomočkih, vključno s strukturnim testom, dimenzijsko združljivostjo in nadzorovano učinkovitostjo med uporabo.

Pri kombinacijah z alternativnimi izdelki z oznako CE je treba upoštevati dokumentirano lokalno oceno tveganja, ki jo opravi zdravnik.

Garancija

Ta pripomoček ima 24-mesečno garancijo.

Estetska proteza stopala ima 12-mesečno garancijo.

Drsna nogavica ima 3-mesečno garancijo.

Ta garancija ne velja za potrošne dele, vključno z vakuumskimi cevkami, vdelanim filtrom in ventili, razen če se okvara pojavi zaradi napake v materialu ali izdelavi.

Uporabnik se mora zavedati, da zaradi sprememb ali prilagoditev, ki niso izrecno odobrene, garancija, uporabne licence in izjeme morda ne bodo veljavne.

Za trenutno celotno garancijsko izjavo obiščite spletno stran podjetja Blatchford.

Prijava resnih nesreč

V malo verjetnem primeru resnih nesreč, nastalih v povezavi s tem pripomočkom, je treba o dogodku obvestiti proizvajalca in pristojne oblasti v vaši državi.

Okoljski vidiki

Ta izdelek je izdelan iz poliuretana, ki ga ni mogoče enostavno reciklirati: odstranite ga odgovorno kot splošni odpadke v skladu z veljavnimi lokalnimi predpisi za odlaganje odpadkov.

Kjer je mogoče, je treba komponente reciklirati v skladu z veljavnimi lokalnimi predpisi za obravnavo odpadkov.

Nalepka na embalaži

Svetujemo vam, da nalepko na embalaži nameščenega pripomočka shranite za morebitno uporabo v prihodnje.

Izjave o blagovnih znamkah

Avalon in Blatchford sta registrirani blagovni znamki podjetja Blatchford Products Limited.

Uradni naslov proizvajalca

Blatchford Products Limited, Lister Road, Basingstoke RG22 4AH, Združeno kraljestvo.

Съдържание.....	28
1 Описание и предназначение	29
2 Информация относно безопасността.....	30
3 Устройство.....	31
4 Функция.....	32
5 Поддръжка	32
6 Ограничения в употребата	33
7 Центроване на стенд	33
7.1 Статично центроване	33
7.2 Динамично центроване	33
8 Съвети относно монтажа	34
8.1 Продукти за динамичен пилон	34
8.2 Протезно коляно Mercury	35
8.3 4-болтово шаси ESK+	36
8.4 Linx, Orion3	36
8.5 KX06V2/ KX07	37
9 Технически данни.....	38
10 Информация за поръчка.....	38

1 Описание и предназначение

Настоящите инструкции за употреба са предназначени за ползване само от лекаря/ протезиста и потребителя, освен ако не е посочено друго.

Терминът „изделие“ в настоящите инструкции за употреба се отнася за Проксимален пирамидален адаптер – комплект.

Моля, прочетете и се уверете, че разбирате всички инструкции за употреба и по-специално цялата информация относно безопасността и инструкциите за поддръжка.

Приложение

Изделието е предназначено за използване само като част от протеза за долен крайник.

Изделието е одобрено за употреба с модулни компоненти на Blatchford.

Предназначено е само за индивидуална употреба.

Ниво на мобилност

Изделието е подходящо за ниво на мобилност от 1 до 4 при спазване на ограниченията за теглото, вж. *Технически данни*, Раздел 8. Разбира се, има изключения и нашата препоръка е да се вземат предвид специфичните и индивидуални характеристики, като всяка такова решение трябва да бъде взето въз основа на разумна и изчерпателна обосновка.

Ниво на мобилност 1

Потребителят е в състояние или има потенциал да използва протезата за придвижване или ходене по равни повърхности при равномерен ритъм на крачката. Характерно за пациентите с ограничена и неограничена способност за движение.

Ниво на мобилност 2

Потребителят е в състояние или има потенциал да преодолява малки препятствия на околната среда, като бордюри, стъпала или неравни повърхности. Характерно за пациентите с ограничена способност за движение, които се придвижват на открито.

Ниво на мобилност 3

Потребителят е в състояние или има потенциал да се придвижва с различен ритъм на крачката. Характерно за пациенти, които се придвижват на открито без ограничения, които са способни да преодоляват повечето препятствия в околната среда и може да имат потребност от професионална, терапевтична или тренировъчна активност, която налага използване на протезата извън рамките на обикновеното придвижване.

Ниво на мобилност 4

Потребителят е в състояние или има потенциал да се придвижва с протезата извън рамките на базовите умения за придвижване, което е свързано с повишено натоварване, напрежение или ниво на енергия. Характерно за изискванията към протезите за деца, активни възрастни или спортисти.

Противопоказания

- Да се използва само с изделия на Blatchford
- 239089 – Да не се използва, ако се изисква въртене.
- Използвайте само с куполовидния накрайник, поставен в правилната ориентация.

Клинични ползи

- Позволява свързване между протезното коляно или пилона и други протезни компоненти, които могат да бъдат персонализирани за оптимизиране на центроването.

2 Информация относено безопасността



Този предупредителен символ обозначава важна информация относно безопасността, на която трябва да се обърне внимание.



Всякакви промени в движението или функционирането на изделието, като например необичайни шумове, трябва да се докладват незабавно на лекаря/протезиста.



Винаги използвайте парапет при слизване по стълби, както и при всеки друг случай, ако е възможно.



Избягвайте излагане на прекалено високи и/или прекалено ниски температури.



За да се намали рискът от нараняване поради неизправност или разхлабване на винтовите съединения, резбата на болтовете трябва да се почиства добре преди всяко монтиране.



Изделието е предназначено за продължително потопяване под вода и намокряне само с питейна вода. Уверете се, че всяко използване на изделието във вода съответства на условията, посочени в Раздел 6 *Ограничения в употребата*.



Необходимо е винаги да внимавате да не заклещите пръстите си.



Монтирането, поддръжката и ремонтването на изделието трябва да се извършва единствено от медицински специалист с подходяща квалификация, който е преминал одобрен курс на обучение.



Потребителят не трябва да регулира или да променя настройките на изделието.



Препоръчва се потребителят да се свърже със своя лекар/протезист, ако състоянието му се промени.



Винаги използвайте посочената стойност на сила на затягане за болта. Не заменяйте болта с друг вид болт. Винаги използвайте посочения вид болт.

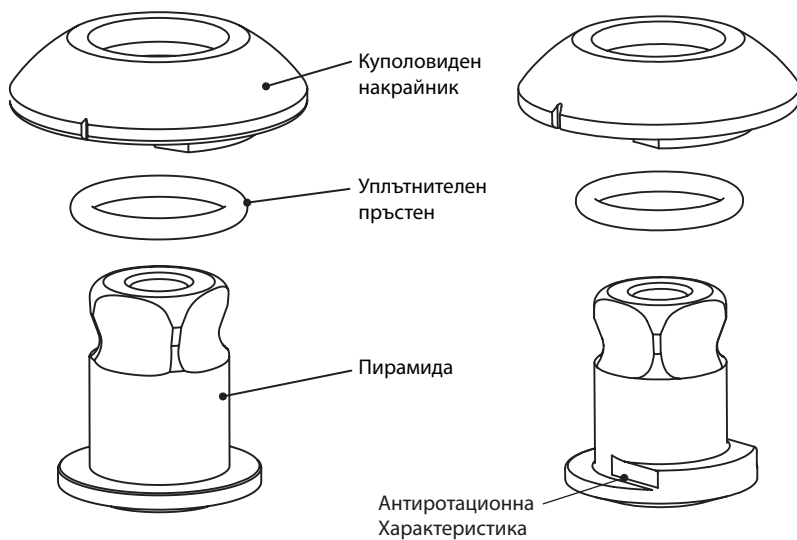


Когато шофирате, използвайте само превозни средства с подходящо допълнително оборудване. Всички лица трябва да спазват съответните закони за движение по пътищата при управление на моторни превозни средства.

3 Устройство

Основни части

- Пирамида Титан
- Куполовиден накрайник Алуминий
- Уплътнителен пръстен Нитрилен каучук



239017

239089

4 Функция

Позволява закрепване между пирамидална система на Blatchford и компоненти на Blatchford с T-образен отвор.

Позволява плъзгане и въртене в предно-задна посока (A–P) при използване заедно с T-образния отвор на Blatchford.

Версията на изделието, която не се върти, разполага само функция за плъзгане.

5 Поддръжка

Проверявайте редовно изделието визуално.

Съобщавайте на лекаря/протезиста за всякакви промени във функционирането на изделието.

Промените във функционирането на изделието може да включват:

- необичаен шум;
- луфт или липса на центровка.

Информирайте лекаря/протезиста за всякакви промени в телесното тегло и/или нивото на мобилност.

Почистване

Използвайте навлажнена кърпа и мек сапун за почистване на външните повърхности. Не използвайте агресивни почистващи препарати.

Останалите инструкции в този раздел са предназначени само за лекаря/протезиста.

Поддръжката трябва да се извършва само от компетентен персонал (медицинско лице или техник с подходяща квалификация).

Изпълнявайте следните дейности по рутинна поддръжка най-малко веднъж годишно:

- Проверете дали всички винтове са добре затегнати. Ако това не е така, отстранете и почистете винтовете, нанесете отново Loctite и затегнете всички винтове до съответната настройка за сила на затягане.
- Проверете за видими дефекти, които биха могли да повлияят на правилното функциониране.

Уверете се, че потребителят е прочел и разбрал цялата информация, свързана с безопасността и поддръжката, за която потребителят отговаря.

Информирайте потребителя, че е препоръчителна редовна визуална проверка на изделието, както и че всякакви признаци на износване, изхабяване или корозия, които може да повлияят на функционирането, трябва да бъдат докладвани на лекаря/протезиста.

Посъветвайте потребителя да информира лекаря/протезиста за всякакви промени в телесното тегло и/или нивото на мобилност.

6 Ограничения в употребата

Срок на експлоатация

Необходимо е извършване на индивидуална оценка на риска въз основа на мобилността и употребата.

Повдигане на тежести

Ограниченията зависят от теглото на потребителя и неговото ниво на мобилност.

Носенето на тежести от потребителя трябва да бъде според индивидуалната оценка на риска.

Околна среда

Настоящото изделие е водоустойчиво до максимална дълбочина от 1 метър.

Изплакнете добре с питейна вода след употреба в абразивна среда, като например среда, съдържаща пясък или прах, за да предотвратите износване или повреда на движещите се части.

Изплакнете добре с питейна вода след употреба в солена или хлорирана вода.



Подходящо за потопяване под вода

Изделието може да се използва само при температура между -15°C и 50°C .

7 Центроване на стенд

Инструкциите в този раздел са предназначени само за медицинско лице/протезист.

7.1 Статично центроване

Регулирайте центроването (плъзгане в предно-задна посока А-Р и наклон (както и завъртане за 239017)) в комбинация със свързаните адаптери за правилно регулиране на флексията, аддукцията или абдукцията. Уверете се, че протезираният потребител може да стои в стабилно положение с равномерно натоварени пета и пръсти.

7.2 Динамично центроване

Коронална равнина

Уверете се, че медиално-латералното (М-Л) изтласкване е минимално, като регулирате относителните позиции на приемната гилза и протезното стъпало.

Сагитална равнина

Регулирайте относителните позиции на протезните компоненти, за да постигнете плавен и стабилен преход от началния контакт на петата с повърхността към отделянето на пръстите от повърхността.

Забележка... Уверете се, че потребителят може да стои изправен в стабилно положение с равномерно натоварени пета и пръсти.

8 Съвети относно монтажа

Инструкциите в този раздел са предназначени само за медицинско лице/протезист.

Избягвайте най-крайните позиции при центровката.

За да осигурите правилния обхват на плъзгането в предно-задна посока (A-P), се уверете, че куполовидният накрайник е монтиран от правилната страна или ориентиран правилно. Уверете се, че антиротационният детайл на 239089 е монтиран правилно.

За да се избегне загуба на центровка при употреба, се уверете, че свързващите винтове за подравняване на пирамидата са завинтени и закрепени правилно.

Позиционирайте възможно най-плътно до линията на конструкцията, като избягвате най-крайните позиции при центровката, ако е възможно.

Ключ към следващите диаграми

- * = Антиротационна функция, изглед отзад
- ** = Антиротационна функция, изглед отпред

8.1 Продукти за динамичен пилон

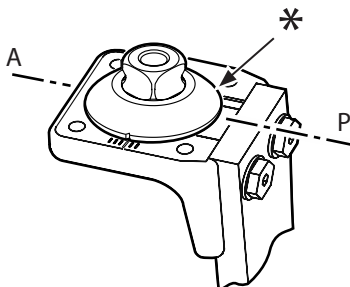
239017



239089



938306



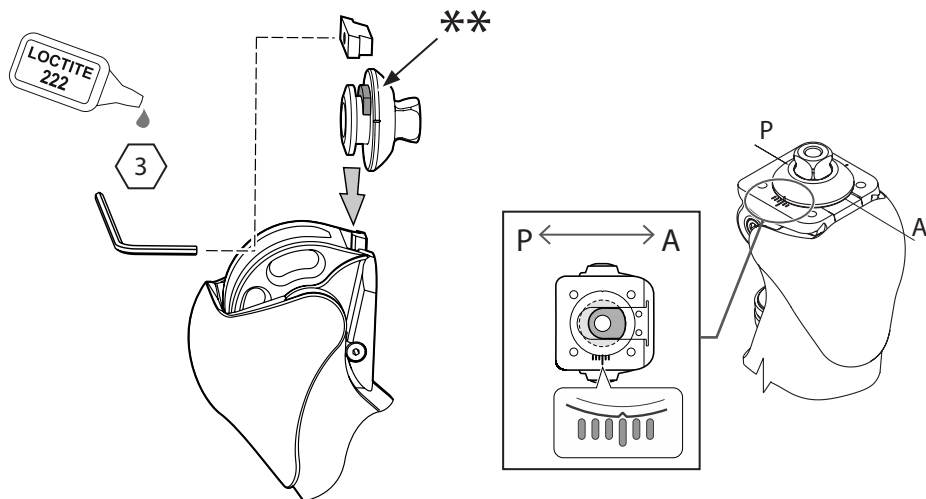
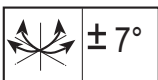
8.2 Протезно коляно Mercury

239017



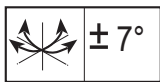
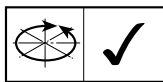
938251

239089



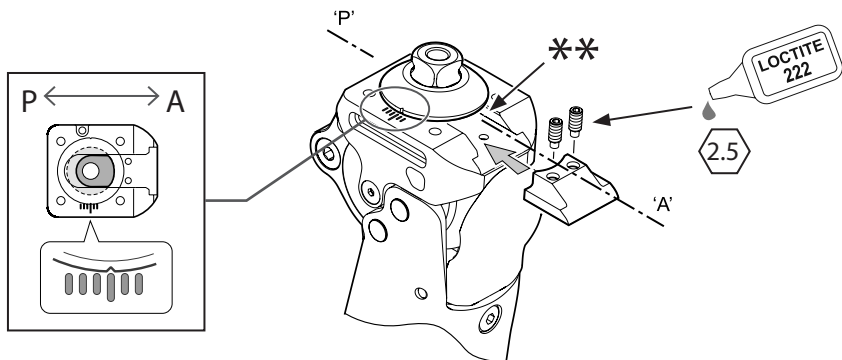
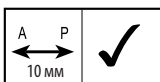
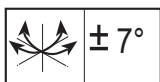
8.3 4-болтово шаси ESK+

239017



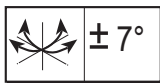
938205

239089



8.4 Linx, Orion3

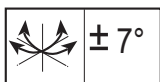
239017



Linx

938353

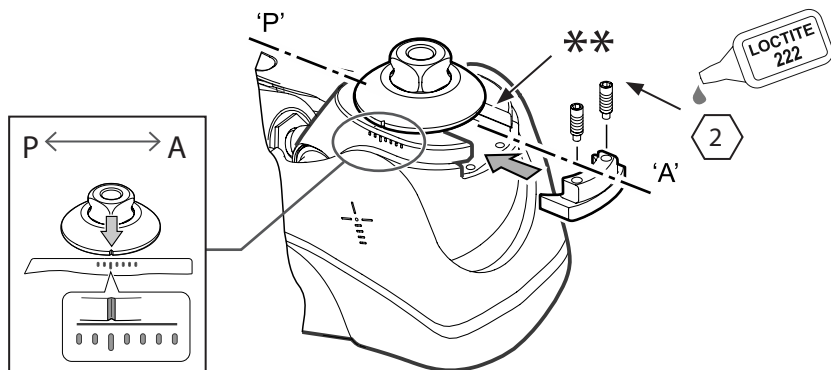
239089



Orion3

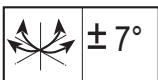
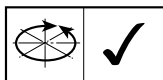


938374



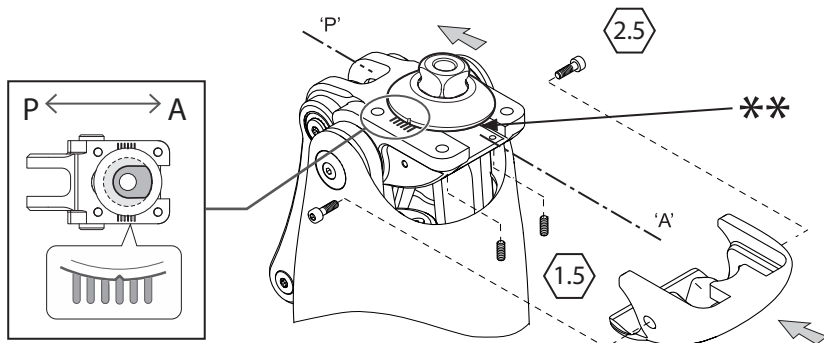
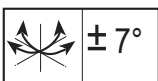
8.5 KX06V2/ KX07

239017



938409

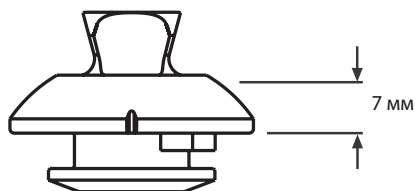
239089



9 Технически данни

Температурен диапазон на експлоатация и съхранение:	-15 °С до 50 °С
Тегло на елемента:	50 г
Ниво на мобилност:	1–4
Максимално тегло на потребителя:	166 кг
Височина на конструкцията:	7 мм

Монтажна дължина



10 Информация за поръчка

Каталожни номера

239017 Входящ пирамидален адаптер–с въртене

239089 Входящ пирамидален адаптер–без въртене

Отговорност

Производителят препоръчва изделието да се използва само при посочените условия и по предназначение. Изделието трябва да се поддържа в съответствие с инструкциите за употреба, предоставени с него. Производителят не носи отговорност за неблагоприятни събития, причинени от комбинации от елементи, които не са одобрени от него.

Маркировка за съответствие СЕ

Този продукт отговаря на изискванията на Регламент (ЕС) 2017/745 за медицинските изделия. Този продукт е класифициран като продукт от клас I според правилата за класификация, описани в Приложение VIII на регламента. ЕС декларацията за съответствие е достъпна на следния интернет адрес: www.blatchford.co.uk.



Медицинско изделие



Предназначено за многократна употреба от един пациент

Съвместимост

Комбинирането с продукти на Blatchford е одобрено въз основа на изпитвания в съответствие с приложимите стандарти и Регламент (ЕС) 2017/745 за медицинските изделия, включително изпитване на конструкцията, съвместимост относно размерите и проследяване на функционалността в реални условия.

Комбинирането с други продукти с маркировка СЕ трябва да се извършва с оглед на документираната индивидуална оценка на риска, извършена от специалист.

Гаранция

Гаранцията на това изделие е 24 месеца.

Гаранцията на облицовката на протезно стъпало е 12 месеца.

Гаранцията на чорапа за приплъзване е 3 месеца.

Гаранцията не покрива консумативи, включително вакуумен маркуч, вграден филтър и клапани, освен ако не е настъпила повреда в резултат на дефект в материалите или изработката.

Потребителят трябва да е наясно, че промени или модификации, които не са изрично одобрени, биха могли да доведат до анулиране на гаранцията, лицензите за работа и изключенията.

Вижте уебсайта на Blatchford за актуалната пълна декларация за гаранция.

Докладване на сериозни инциденти

В малко вероятния случай на сериозен инцидент, свързан с настоящото изделие, инцидентът трябва да се докладва на производителя и на компетентния национален орган.

Екологични аспекти

Този продукт е изработен от полиуретан, който не може да се рециклира лесно: моля, третирайте го по отговорен начин като общи отпадъци в съответствие с местните разпоредби за управление на отпадъците.

Когато е възможно, елементите му трябва да се рециклират в съответствие с местните разпоредби за управление на отпадъците.

Запазване на етикета на опаковката

Препоръчва се да запазите етикета на опаковката като документ за доставеното изделие.

Потвърждение за търговска марка

Avalon и Blatchford са регистрирани търговски марки на Blatchford Products Limited.

Адрес на управление на производителя

Blatchford Products Limited, Lister Road, Basingstoke RG22 4AH, Обединено кралство.

Sadržaj.....	41
1 Opis i predviđena namjena	42
2 Informacije o sigurnosti	43
3 Izvedba.....	44
4 Funkcija.....	45
5 Održavanje.....	45
6 Ograničenja uporabe.....	46
7 Početno poravnanje.....	46
7.1 Statičko poravnanje	46
7.2 Dinamičko poravnanje.....	46
8 Savjeti za prilagođavanje	47
8.1 Proizvodi dinamičkog stupnog dijela.....	47
8.2 Koljeno Mercury	48
8.3 Četverovijčano postolje ESK+.....	49
8.4 Linx, Orion3	49
8.5 KX06V2/KX07	50
9 Tehnički podaci	51
10 Informacije za naručivanje.....	51

1 Opis i predviđena namjena

Ove upute za uporabu namijenjene su zdravstvenim djelatnicima i korisnicima, osim ako nije drukčije navedeno.

Izraz *proizvod* u ovim uputama za uporabu odnosi se na komplet za prilagodnik proksimalnog piramidnog dijela.

Molimo s razumijevanjem pročitajte sve upute za uporabu, posebno sve informacije o sigurnosti i upute o održavanju.

Primjena

Proizvod je osmišljen za uporabu isključivo kao dio proteze donjeg ekstremiteta.

Proizvod je odobren za uporabu s modularnim komponentama Blatchford.

Namijenjen samo za jednog korisnika.

Stupanj aktivnosti

Ovaj proizvod prikladan je za stupnjeve aktivnosti 1 do 4, uz ograničenja težine, pogledajte *Tehnički podaci*, odjeljak 8. Naravno, postoje iznimke, i u svojim preporukama trudimo se uzeti u obzir jedinstvene, individualne okolnosti te svako donošenje odluka mora biti razumno i detaljno obrazloženo.

Stupanj aktivnosti 1

Može upotrebljavati ili postoji potencijal upotrebljavanja proteze za transfer ili kretanje na ravnim površinama ujednačenim tempom. Karakteristično za osobu ograničene i neograničene sposobnosti hoda.

Stupanj aktivnosti 2

Može hodati ili postoji potencijal za hod uz sposobnost prelaženja manjih prepreka u okruženju, poput rubnika, stuba ili neravnih površina. Karakteristično za ograničene sposobnosti hoda u vanjskom okruženju.

Stupanj aktivnosti 3

Može hodati ili postoji potencijal za hod promjenjivim tempom.

Karakteristično za osobu sa sposobnošću hoda u vanjskom okruženju koja može prelaziti većinu prepreka u okruženju i bavi se radnim, terapijskim ili rekreacijskim aktivnostima koje zahtijevaju složeniju uporabu proteze koja nadilazi jednostavne oblike kretanja.

Stupanj aktivnosti 4

Može hodati ili postoji potencijal za hod s protezom koji nadilazi osnovne sposobnosti kretanja, a pokazuje značajnu razinu upora, izdržljivosti i energije. Karakteristično za protetičke potrebe djece, aktivnih odraslih osoba ili sportaša.

Kontraindikacije

- Samo za uporabu s proizvodima Blatchford.
- 239089 - Nije za uporabu ako je potrebna rotacija.
- Upotrebljavajte samo s kupolom u ispravnom smjeru.

Kliničke prednosti

- Omogućava spoj protetičkog koljena ili stupnog dijela s ostalim protetičkim dijelovima, koje je moguće prilagoditi radi optimiranja poravnavanja.

2 Informacije o sigurnosti



Ova oznaka upozorenja naglašava važne informacije o sigurnosti kojih se potrebno pažljivo pridržavati.



Bilo kakve promjene u funkcionalnosti ili radu proizvoda npr. neobični zvukovi, moraju se odmah prijaviti pružatelju usluge.



Uvijek upotrebljavajte rukohvat prilikom silaženja niza stube i u svim ostalim prilikama ako je dostupno.



Izbjegavajte izlaganje ekstremnim vrućinama i/ili hladnoći.



Kako biste smanjili rizik od ozljede zbog zakazivanja ili olabavljenja vijčanih spojeva osigurajte da se vijčani navoji dobro očiste prije svakog postavljanja.



Proizvod je namijenjen produljenom potapanju i prikladan samo za uranjanje u slatku vodu. Osigurajte da je uporaba proizvoda u vodi u skladu s uvjetima navedenim u odjeljku 6., *Ograničenja uporabe*.



U svakom trenutku vodite računa o riziku od prignječenja prstiju.



Sklopanje, održavanje i popravak proizvoda mora obavljati odgovarajuće osposobljeni kliničar koji je prošao odobreni tečaj osposobljavanja.



Korisnik ne smije prilagođavati ili preinačavati proizvod.



Korisnika treba uputiti da o svakoj promjeni svog stanja obavijesti zdravstvenog djelatnika.



Uvijek primijenite navedenu vrijednost okretnog momenta na vijak. Nikad ne zamjenjujte vijak drugom vrstom vijka. Uvijek upotrebljavajte navedenu vrstu vijka.

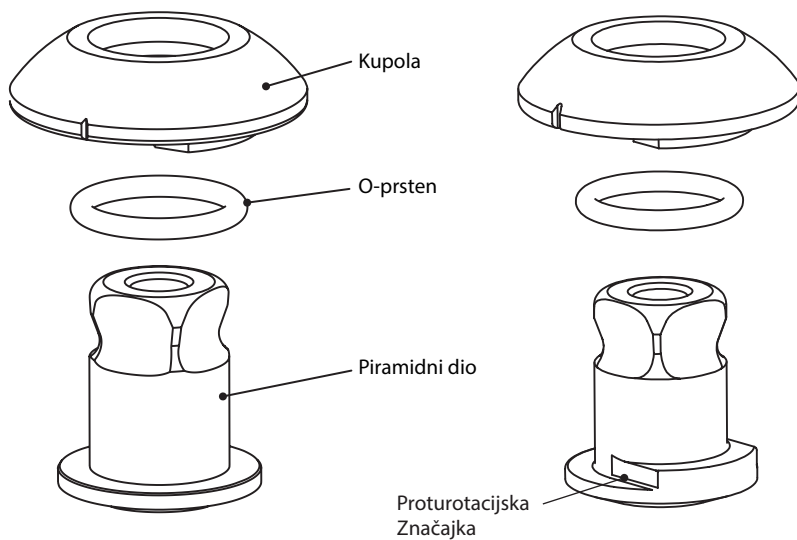


Osigurajte da se za vožnju koriste odgovarajuće prilagođena vozila. Svi korisnici dužni su pridržavati se važećih prometnih propisa prilikom upravljanja motornim vozilima.

3 Izvedba

Glavni dijelovi

- Piramidni dio
 - Kupola
 - O-prsten
- Titanij
Aluminij
Akrilonitril/butadienska guma



239017

239089

4 Funkcija

Omogućava priključivanje piramidnog sustava Blatchford i komponenti Blatchford s T-utorom. Omogućava A-P klizanje i rotaciju kad se upotrebljava u kombinaciji s T-utorom Blatchford. Nerotacijska izvedba proizvoda omogućava samo funkciju klizanja.

5 Održavanje

Redovito vizualno pregledavajte proizvod.

Prijavite bilo kakve promjene u funkcionalnosti ovog proizvoda zdravstvenom djelatniku/pružatelju usluge.

Promjene u funkcionalnosti mogu uključivati:

- Bilo kakav neobičan zvuk
- Svu zračnost ili gubitak poravnanja

Obavijestite zdravstvenog djelatnika/pružatelja usluge o svim promjenama u tjelesnoj težini i/ili stupnju aktivnosti.

Čišćenje

Vanjske površine čistite vlažnom krpom i blagim sapunom, ne upotrebljavajte agresivna sredstva za čišćenje.

Ostale upute u ovom odjeljku namijenjene su samo zdravstvenom djelatniku.

Održavanje smije izvoditi samo kvalificirano osoblje (zdravstveni djelatnik ili odgovarajuće osposobljeni tehničar).

Sljedeće rutinsko održavanje izvedite najmanje jedanput godišnje:

- Provjerite zategnutost svih vijaka. Ako su olabavljeni, odvijte ih i očistite, zatim ponovno nanesite Loctite i zategnite sve vijke na ispravnu postavku okretnog momenta.
- Provjerite vidljive nedostatke koji bi mogli utjecati na pravilno funkcioniranje.

Osigurajte da je korisnik pročitao i shvatio sve informacije o sigurnosti i održavanju na korisničkoj razini.

Korisniku preporučite da redovito vizualno pregledava proizvod i da znakove dotrajalosti, oštećenja ili koroziju koji bi mogli utjecati na funkcionalnost obavezno prijavi svom pružatelju usluga.

Korisniku preporučite da obavijesti zdravstvenog djelatnika/pružatelja usluge o svim promjenama tjelesne težine i/ili stupnja aktivnosti.

6 Ograničenja uporabe

Predviđen rok trajanja

Lokalnu procjenu rizika potrebno je izvršiti na temelju aktivnosti i uporabe.

Podizanje tereta

Tjelesna težina korisnika i aktivnosti podliježu navedenim ograničenjima.

Teret koji korisnik smije nositi mora se odrediti lokalnom procjenom rizika.

Okruženje

Ovaj je proizvod voodootporan do maksimalno 1 m dubine.

Temeljito isperite pitkom vodom nakon uporabe u abrazivnim okruženjima, npr. s pijeskom ili srhom, kako biste spriječili habanje ili oštećenja pokretnih dijelova.

Temeljito isperite pitkom vodom nakon uporabe u slanoj ili kloriranoj vodi.



Prikladno za potapanje

Isključivo za uporabu na temperaturi od -15 °C do 50 °C.

7 Početno poravnanje

Upute u ovom odjeljku namijenjene su samo zdravstvenom djelatniku.

7.1 Statičko poravnanje

Prilagodite poravnanje (A-P klizanje i nagib (i rotaciju 239017)) u kombinaciji sa sučeljnima prilagodnicima za pravilnu prilagodbu pregibanja, primicanja i odmicanja. Osigurajte da korisnik može stabilno stajati uz ravnomjerno opterećenje pete i palca.

7.2 Dinamičko poravnanje

Čeona (frontalna) ravnina

Prilagoditom relativnih položaja ležišta i stopala osigurajte da M-L zamah bude minimalan.

Središnja (sagitalna) ravnina

Prilagodite relativne položaje protetičkih dijelova za postizanje neometanog, stabilnog prijelaza od nagaza petom do odraza palcem.

Napomena... Osigurajte da korisnik može stabilno stajati uz ravnomjerno opterećenje pete i palca.

8 Savjeti za prilagođavanje

Upute u ovom odjeljku namijenjene su samo zdravstvenom djelatniku.

Izbjegavajte krajnosti u poravnavanju.

Za pravilan raspon A-P klizanja osigurajte da je kupola ispravno postavljena ili pravilno usmjerena. Osigurajte da je proturotacijska značajka proizvoda 239089 ispravno sklopljena.

Kako biste izbjegli gubitak poravnanja prilikom uporabe, osigurajte da su sučeljeni vijci za poravnavanje piramidnog dijela osigurani i zategnuti na ispravni okretni moment.

Postavite što je bliže moguće težišnici, ako je moguće izbjegavajte krajnosti u poravnavanju.

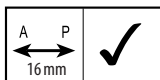
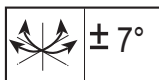
Ključ za sljedeće crteže

* = Proturotacijska značajka – stražnji dio

** = Proturotacijska značajka – prednji dio

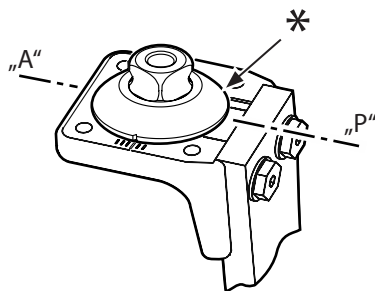
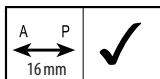
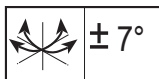
8.1 Proizvodi dinamičkog stupnog dijela

239017



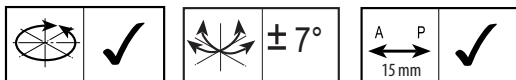
938306

239089

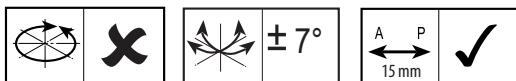


8.2 Koljeno Mercury

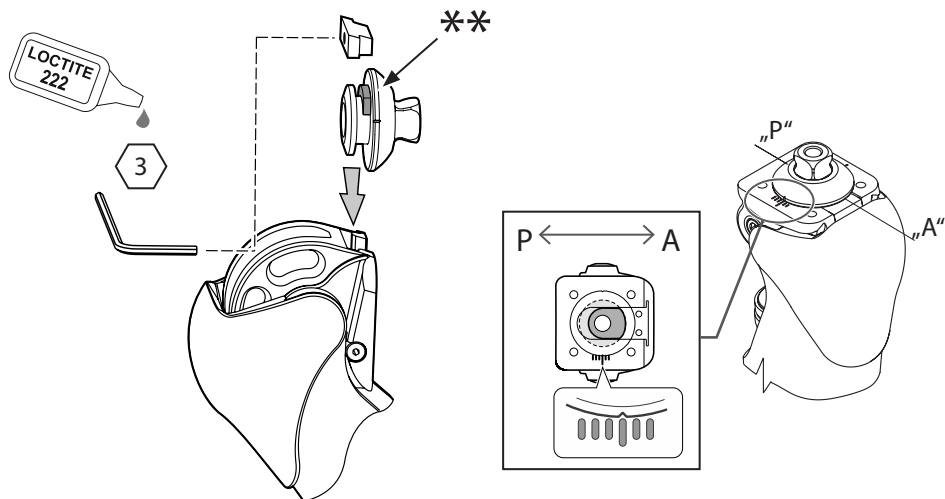
239017



239089

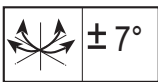
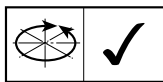


938251



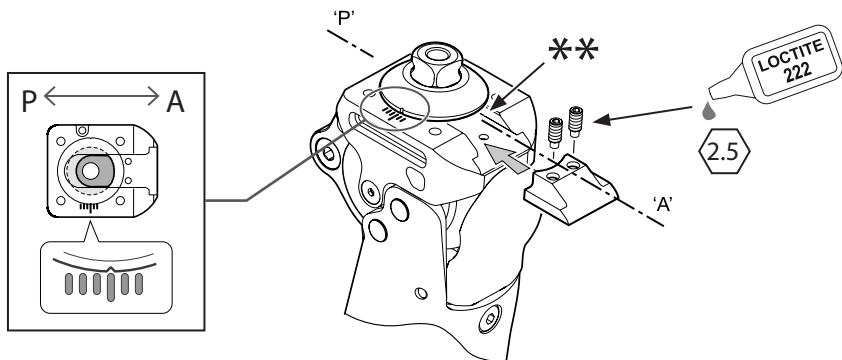
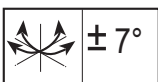
8.3 Četverovijčano postolje ESK+

239017



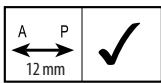
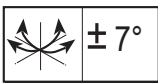
938205

239089



8.4 Linx, Orion3

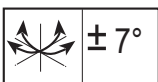
239017



Linx

938353

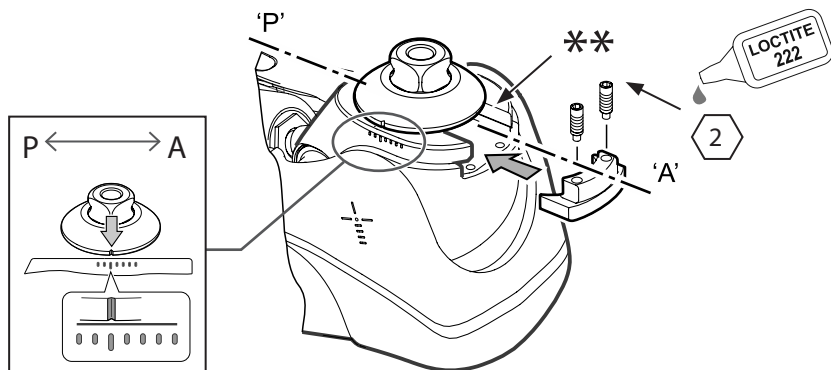
239089



Orion3

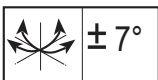
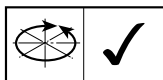


938374



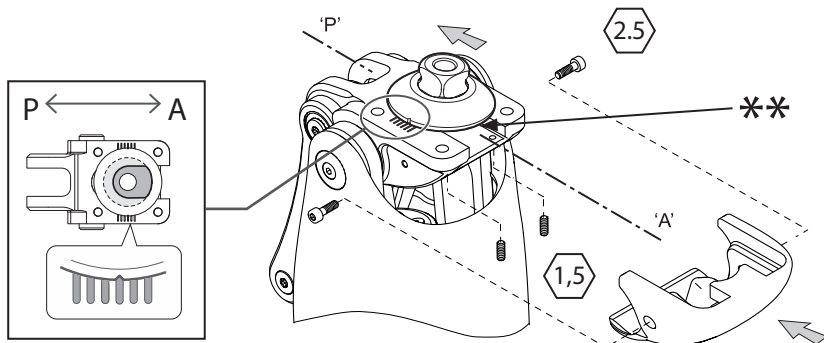
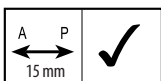
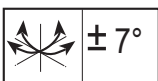
8.5 KX06V2/KX07

239017



938409

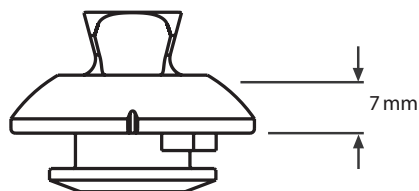
239089



9 Tehnički podaci

Radni i temperaturni raspon skladištenja:	-15 °C do 50 °C
Težina komponente:	50 g
Stupanj aktivnosti:	1–4
Maksimalna tjelesna težina korisnika:	166 kg
Visina izvedbe:	7 mm

Duljina prilagođavanja



10 Informacije za naručivanje

Brojevi dijelova

239017 Muški piramidni prilagodnik–Rotacijski

239089 Muški piramidni prilagodnik–Nerotacijski

Odgovornost

Proizvođač preporučuje uporabu proizvoda u skladu s navedenim uvjetima i za predviđene namjene. Proizvod mora biti održavan u skladu s uputama za uporabu isporučenim uz proizvod. Proizvođač nije odgovoran ni za kakve neželjene ishode uzrokovane kombiniranjem komponenti koje nije odobrio.

CE sukladnost

Ovaj proizvod ispunjava zahtjeve Uredbe (EU) 2017/745 o medicinskim proizvodima. Ovaj proizvod razvrstan je kao proizvod klase rizika I prema kriterijima razvrstavanja navedenima u Dodatku VIII. Uredbe. Certifikat EU Izjava o sukladnosti dostupan je na sljedećoj internetskoj stranici: www.blatchford.co.uk.



Medicinski proizvod



Jedan korisnik - višestruka uporaba

Kompatibilnost

Kombiniranje s proizvodima marke Blatchford odobrava se na temelju ispitivanja u skladu s primjenjivim normama i Uredbom o medicinskim proizvodima (MDR) uključujući ispitivanje strukture, usklađenost dimenzija i nadziranu radnu učinkovitost.

Kombiniranje s alternativnim proizvodima s oznakom CE mora se provesti uz dokumentiranu lokalnu procjenu rizika od strane zdravstvenog djelatnika.

Jamstvo

Na ovaj proizvod daje se jamstvo od 24 mjeseca.

Na čahuru stopala daje se jamstvo od 12 mjeseci.

Na kliznu navlaku daje se jamstvo od 3 mjeseca.

Jamstvo ne obuhvaća potrošne dijelove uključujući cijev za vakuum, linijski filter i ventile osim u slučaju kvara izazvanog zbog manjkavosti materijala ili izrade.

Korisnik mora biti svjestan da promjene ili preinake koje nisu izričito dopuštene mogu poništiti jamstvo, odobrenja za rad i izuzeća.

Pogledajte internetsku stranicu tvrtke Blatchford za uvid u cjelovitu važeću izjavu o jamstvu.

Prijavljivanje ozbiljnih neželjenih događaja

U malo vjerojatnom slučaju pojave ozbiljnog neželjenog događaja vezanog uz ovaj proizvod, potrebno je isti prijaviti proizvođaču i nadležnom državnom tijelu.

Ekološki aspekti

Ovaj proizvod izrađen je od poliuretana koji nije moguće lako reciklirati: molimo odgovorno zbrinite kao opći otpad, prema lokalnim propisima o zbrinjavanju otpada.

Gdje je izvedivo, komponente je potrebno reciklirati u skladu s lokalnim propisima o zbrinjavanju otpada.

Čuvanje oznake pakiranja

Morate sačuvati oznaku pakiranja kao evidenciju isporučenog proizvoda.

Izjave o žigu

Avalon i Blatchford registrirani su žigovi tvrtke Blatchford Products Limited.

Adresa sjedišta proizvođača

Blatchford Products Limited, Lister Road, Basingstoke RG22 4AH, UK.

Obsah	54
1 Opis a zamýšľaný účel	55
2 Informácie o bezpečnosti.....	56
3 Konštrukcia.....	57
4 Funkcia.....	58
5 Údržba.....	58
6 Obmedzenie používania	59
7 Zarovnanie osadenia.....	59
7.1 Statické zarovnanie	59
7.2 Dynamické zarovnanie.....	59
8 Odporúčania pri osádzaní.....	60
8.1 Produkty dynamického pylónu.....	60
8.2 Kolená Mercury.....	61
8.3 4-skrutkový rám ESK+.....	62
8.4 Linx, Orion3	62
8.5 KX06V2/ KX07	63
9 Technické údaje	64
10 Informácie pri objednávaní	64

1 Opis a zamýšľaný účel

Návod na použitie je určený odborníkovi a používateľovi, ak nie je uvedené inak.

V návode sa používa termín *pomôcka* a odkazuje na súpravu redukcie proximálnej pyramídy.

Pozorne si prečítajte celý návod na použitie, predovšetkým všetky informácie o bezpečnosti, a návod na údržbu.

Použitie

Pomôcka je navrhnutá výhradne ako súčasť protézy dolnej končatiny.

Pomôcku možno používať s modulárnymi dielmi značky Blatchford.

Je určená len jednému používateľovi.

Úroveň aktivity

Pomôcka je vhodná pre úrovne aktivity 1 – 4; platia hmotnostné obmedzenia, pozri *Technické údaje*, časť 8. Samozrejme, existujú výnimky, a pri odporúčaní chceme zohľadniť individuálne okolnosti. Rozhodovať sa treba na základe rozumného a dôkladného odôvodnenia.

Úroveň aktivity 1

Má schopnosť alebo potenciál používať protézu na presun alebo chôdzu na rovnom povrchu pri fixnej kadencii. Typická pre chodca s obmedzením alebo bez obmedzenia.

Úroveň aktivity 2

Má schopnosť alebo potenciál chodiť so schopnosťou prechádzať cez nízke prekážky v okolitom prostredí, ako sú obrubníky, schody alebo nerovný povrch. Typická pre komunitného chodca s obmedzením.

Úroveň aktivity 3

Má schopnosť a potenciál chodiť s rozličnou kadenciou.

Typická pre komunitného chodca so schopnosť prechádzať cez väčšinu prekážok v okolitom prostredí, ktorý môže vykonávať pracovnú, terapeutickú alebo cvičebnú aktivitu vyžadujúci si používanie protézy mimo jednoduchého pohybu.

Úroveň aktivity 4

Má schopnosť alebo potenciál protetickej chôdze, ktorá prekračuje základné ambulantné zručnosti, má veľkú mieru dopadu, tlaku alebo energie. Typická pre protetické nároky detí, aktívnych dospelých alebo atlétov.

Kontraindikácie

- Smie sa používať len s pomôckami značky Blatchford.
- 239089 – Nepoužívajte, ak je potrebná rotácia.
- Používajte len s krytkou v správnej orientácii.

Klinické výhody

- **Vytvára spoj medzi protetickým kolenom alebo pylónom a iným protetickým prvkom, ktorý sa dá kvôli zarovnaniu upraviť na mieru.**

2 Informácie o bezpečnosti



Tento výstražný symbol poukazuje na dôležité bezpečnostné informácie, ktoré treba dôsledne dodržiavať.



Všetky zmeny vo vlastnostiach alebo fungovaní pomôcky, napr. nezvyčajné zvuky, treba ihneď nahlásiť servisnému pracovníkovi.



Pri kráčaní dolu schodmi a vždy, keď je k dispozícii, sa držte zábradlia.



Vyhňte sa vystavovaniu extrémnemu teplu a/alebo chladu.



V rámci predchádzania riziku poranenia v dôsledku zlyhania alebo uvoľnenia skrutkových spojov dbajte na to, aby boli pred každou montážou dôkladne vyčistené závitky skrutiek.



Pomôcka je určená na dlhodobé ponáranie a je vhodná len na ponáranie v sladkej vode. Dbajte na to, aby bolo použitie pomôcky vo vode v súlade s podmienkami uvedenými v časti 6 *Obmedzenie používania*.



Dávajte pozor na riziko zachytenia prstov.



Skladanie, údržbu a opravu pomôcky smie vykonávať len primerane kvalifikovaný klinický pracovník, ktorý absolvoval schválené školenie.



Používateľ nesmie nastavovať ani neodborne upravovať nastavenie pomôcky.



Používateľa treba upozorniť, že v prípade zmeny zdravotného stavu sa má obrátiť odborníka.



Skrutku vždy uťahujte na špecifikovaný uťahovací moment. Nevymieňajte ju za alternatívnu skrutku. Vždy použite uvedenú verziu.

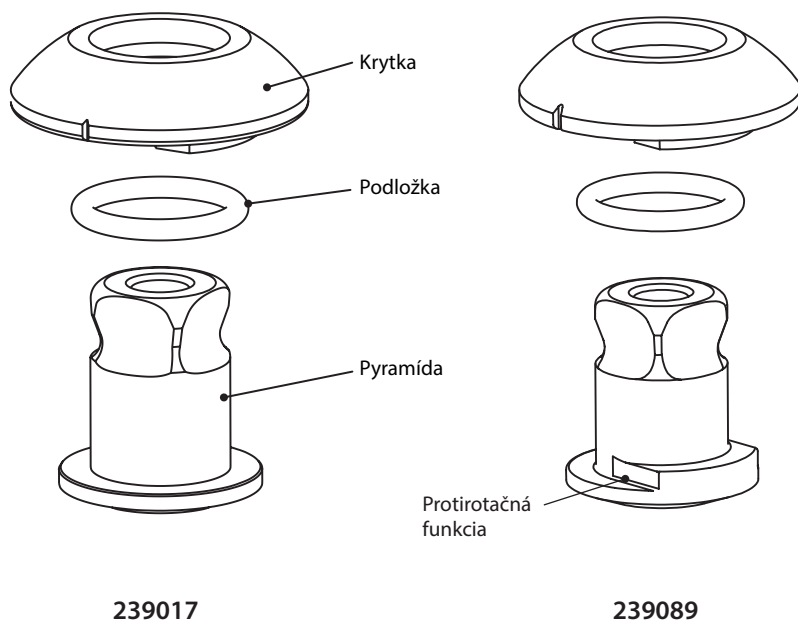


Pri šoférovaní dbajte na to, aby sa používali len vhodne upravené vozidlá. Pri riadení motorového vozidla sa od každého očakáva dodržiavanie príslušných zákonov o cestnej premávke.

3 Konštrukcia

Hlavné diely

- Pyramída
 - Krytka
 - Podložka
- Titán
Hliník
Nitrilová guma



4 Funkcia

Spája pyramídový systém Blatchford s dielmi Blatchford s otvorom v tvare „T“.

Pri použití s otvorom v tvare „T“ Blatchford umožňuje P-P posun a rotáciu.

Nerotujúca verzia pomôcky má len posuvnú funkciu.

5 Údržba

Pomôcku pravidelne kontrolujte zrakom.

Všetky zmeny vo vlastnostiach pomôcky nahláste odborníkovi/ servisnému pracovníkovi.

Medzi zmeny vo vlastnostiach patrí:

- akýkoľvek nezvyčajný zvuk;
- vôľa alebo vychýlené zarovnanie.

Informujte odborníka/servisného pracovníka o zmene v telesnej hmotnosti a/alebo úrovni aktivity.

Čistenie

Vonkajší povrch utrite handričkou navlhčenou vo vode s jemným čistiacim prostriedkom, nepoužívajte agresívne čistiace prostriedky.

Zvyšné pokyny v tejto časti sú len pre odborníka.

Údržbu smie zabezpečovať len kompetentný personál (odborník alebo vhodne zaškolený technik).

Najmenej raz ročne vykonajte nasledujúcu rutinnú údržbu:

- skontrolujte zaistenie všetkých skrutiek. Ak sa uvoľnili, vyberte ich a vyčistite, potom znovu naneste Loctite a všetky skrutky dotiahnite na správny uťahovací moment.
- Overte, či na pomôcke nie sú viditeľné poškodenia, ktoré by mohli ovplyvniť jej riadne fungovanie.

Overte si, či si používateľ prečítal a rozumie všetkým informáciám o bezpečnosti a údržbe na úrovni používateľa.

Informujte používateľa, že sa odporúča pravidelná kontrola pomôcky zrakom a znaky opotrebovania či hrdze, ktoré by mohli mať vplyv na jej funkčnosť, sa musia hlásiť servisnému pracovníkovi.

Odporučte používateľovi, aby informoval odborníka/servisného pracovníka o zmene v telesnej hmotnosti a/alebo úrovni aktivity.

6 Obmedzenie používania

Zamýšľaná životnosť

Na základe aktivity a používania treba posúdiť lokálne riziko.

Zdvíhanie bremien

Hmotnosť a aktivita používateľa sa riadi stanovenými limitmi.

Nosenie bremien používateľom by malo vychádzať z posúdenia lokálnych rizík.

Prostredie

Pomôcka je vodotesná do maximálnej hĺbky 1 meter.

Po používaní v abrazívnom prostredí, ako je napríklad prostredie s možným obsahom piesku alebo kameňov pomôcku dôkladne opláchnite vodou, aby sa predišlo opotrebovaniu alebo poškodeniu pohyblivých častí.

Po použití v slanej alebo chlóranej vode pomôcku dôkladne opláchnite vodou.



Možno ponárať

Používajte výhradne pri teplote od -15 °C až 50 °C.

7 Zarovnanie osadenia

Pokyny v tejto časti sú len pre odborníkov.

7.1 Statické zarovnanie

Nastavte zarovnanie (P-P posun a náklon (a rotáciu 239017)) v kombinácii s paralelnými redukiami, aby sa dal primerane nastaviť ohyb, pritiahnutie alebo odtiahnutie. skontrolujte, či používateľ dokáže stáť v stabilnej pozícii s rovnomerným zaťažením päty a prstov.

7.2 Dynamické zarovnanie

Koronálna rovina

Nastavením relatívnych polôh lôžka a chodidla dosiahneme minimálny M-L ťah.

Predo-zadná rovina

Na dosiahnutie hladkého a stabilného prechodu od dopadu na pätu po odraz od prstov upravte relatívne pozície protetických dielov.

Poznámka... Skontrolujte, či používateľ dokáže stáť v stabilnej pozícii s rovnomerným zaťažením päty a prstov.

8 Odporúčania pri osádzaní

Pokyny v tejto časti sú len pre odborníkov.

Pri zarovnávaní sa vyhýbajte extrémom.

Na zaistenie správneho P-P posunu dbajte na to, aby bola krytka správne osadená alebo správne otočená. Skontrolujte správne zmontovanie protirotáčnej funkcie na 239089.

Ak chcete predchádzať rozkolísaniu zarovnania počas používania, dbajte na správne utiahnutie a zaistenie paralelných zarovnávacích skrutiek pyramídy.

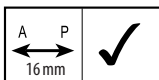
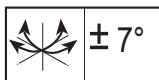
Umiestnite ich čo najbližšie k línii konštrukcie a ak je to možné, pri zarovnávaní sa vyhýbajte extrémom.

Kľúč k nasledujúcim nákresom

- * = zadná protirotáčná funkcia
- ** = predná protirotáčná funkcia

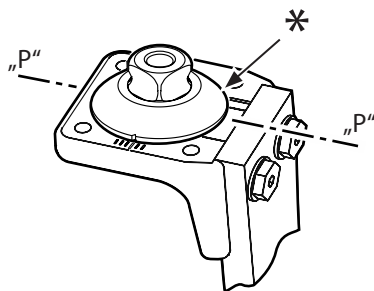
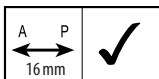
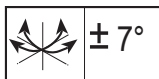
8.1 Produkty dynamického pylónu

239017



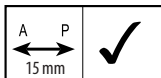
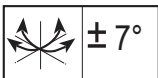
938306

239089



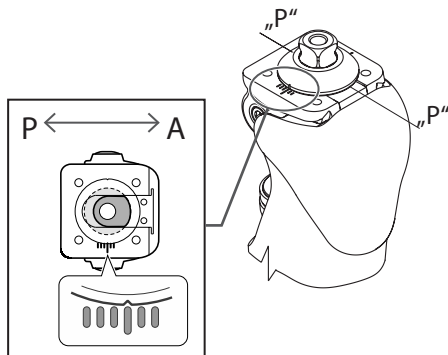
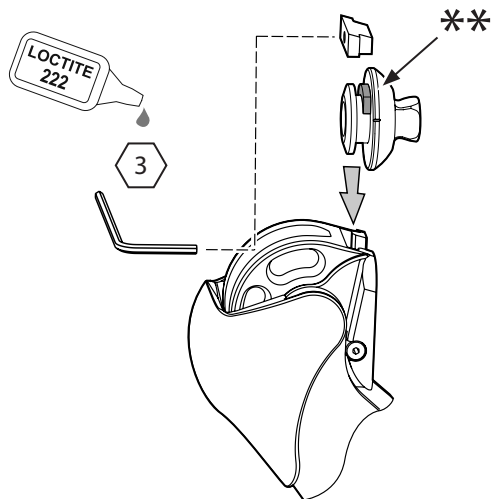
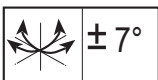
8.2 Koleno Mercury

239017



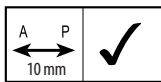
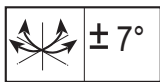
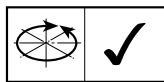
938251

239089



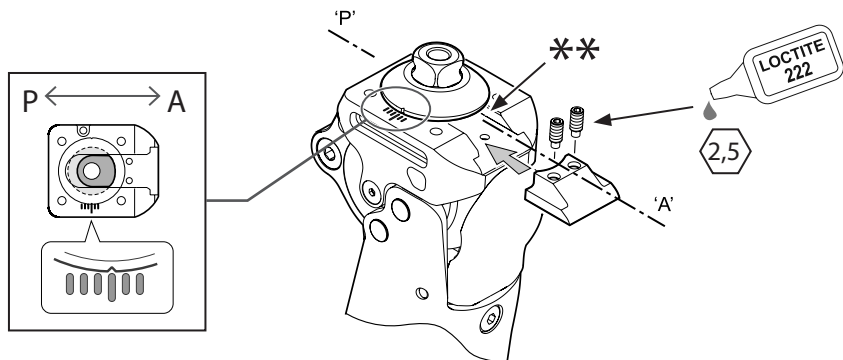
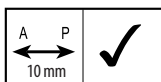
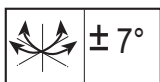
8.3 4-skrutkový rám ESK+

239017



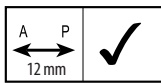
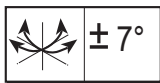
938205

239089



8.4 Linx, Orion3

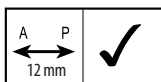
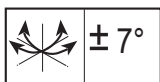
239017



Linx

938353

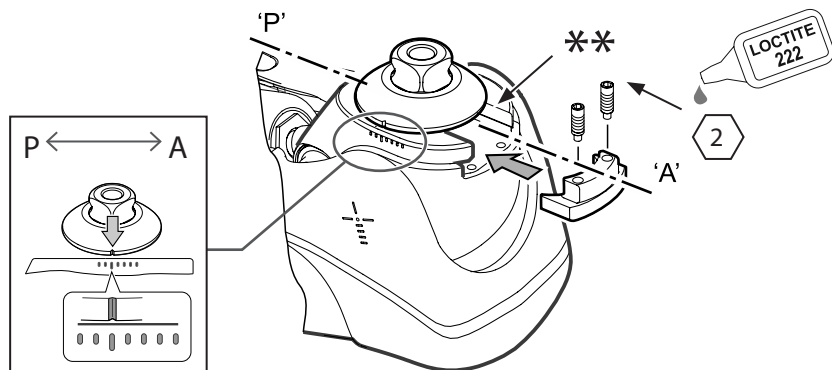
239089



Orion3

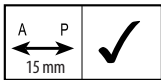
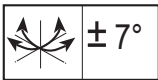
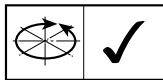


938374



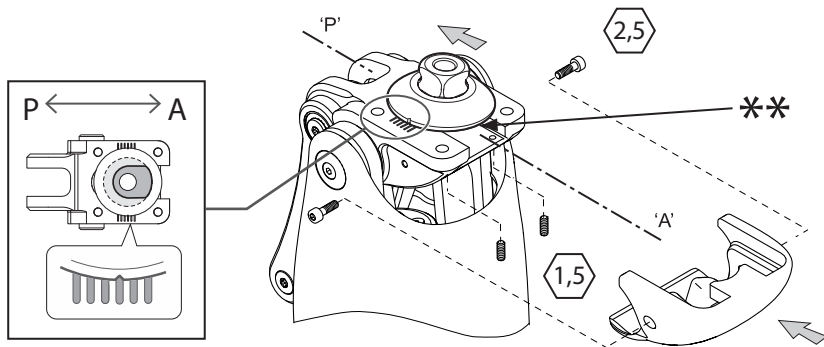
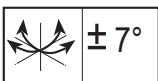
8.5 KX06V2/ KX07

239017



938409

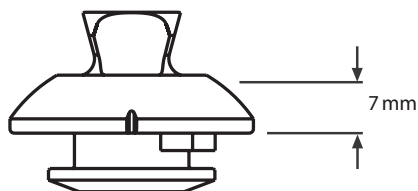
239089



9 Technické údaje

Rozsah prevádzkovej a skladovacej teploty:	-15 °C až 50 °C
Hmotnosť dielov:	50 g
Úroveň aktivity	1 – 4
Maximálna hmotnosť používateľa:	166 kg
Výška konštrukcie:	7 mm

Dĺžka osadenia



10 Informácie pri objednávaní

Čísla dielov

239017 Redukcia samčej pyramídy –otočná

239089 Redukcia samčej pyramídy –bez otáčania

Ručenie

Výrobca odporúča používať pomôcku výhradne podľa špecifikovaných podmienok a na to, na čo je určená. Pomôcka sa musí udržiavať podľa priloženého návodu na použitie. Výrobca nezodpovedá za nežiaduci výsledok spôsobený kombináciou ním neschválených komponentov.

Súlad s CE

Tento produkt spĺňa požiadavky nariadenia EÚ 2017/745 o zdravotníckych pomôckach. Produkt je klasifikovaný ako produkt triedy I podľa klasifikačných pravidiel v Dodatku VIII nariadenia. Certifikát o vyhlásení o zhode CE je k dispozícii na nasledujúcej internetovej adrese: www.blatchford.co.uk.



Zdravotnícka pomôcka



Jeden pacient – viacnásobné použitie

Kompatibilitnosť

Kombinovanie s produktmi značky Blatchford je schválené na základe testovania v súlade s príslušnými normami a MDR vrátane štruktúrálnej skúšky, rozmerovej kompatibility a vlastností v monitorovanej oblasti.

Kombinovanie s alternatívnymi produktmi so značkou CE treba vykonávať s ohľadom na zdokumentované posúdenie lokálnych rizík odborníkom.

Záruka

Na pomôcku sa vzťahuje 24-mesačná záruka.

Na kryt chodidla sa vzťahuje 12-mesačná záruka.

Na nasúvací ponožkový návlek sa vzťahuje 3-mesačná záruka.

Záruka sa nevzťahuje na spotrebné diely vrátane vákuovej hadičky ani priameho filtra a ventilov, ak nedôjde k zlyhaniu v dôsledku chybného materiálu alebo spracovania.

Používateľ by mal vedieť, že zmeny alebo úpravy bez jeho výhradného súhlasu by mohli ukončiť platnosť záruky, prevádzkových licencií a výnimiek.

Celé vyhlásenie o záruke nájdete na webovej stránke spoločnosti Blatchford.

Nahlasovanie závažných incidentov

V nepravdepodobnom prípade závažného incidentu v súvislosti s pomôckou ho treba nahlásiť výrobcovi a kompetentnému štátnemu úradu.

Environmentálne aspekty

Produkt je vyrobený z polyuretánu, ktorý sa nedá ľahko recyklovať: zlikvidujte ho zodpovedne ako komunálny odpad podľa miestnych nariadení o manipulácii s odpadom.

Tam, kde je to možné, by sa jednotlivé diely mali recyklovať v súlade s miestnymi nariadeniami o nakladaní s odpadom.

Odloženie štítku na balení

Odporúčame odložiť si štítky z balenia ako záznam o dodanej pomôčke.

Potvrdenie o obchodnej známke

Značky Avalon a Blatchford sú registrované obchodné známky spoločnosti Blatchford Products Limited.

Sídlo výrobcu

Blatchford Products Limited, Lister Road, Basingstoke RG22 4AH, Spojené kráľovstvo.

Tartalom.....	67
1 Leírás és tervezett felhasználás	68
2 Biztonsági információk.....	69
3 Felépítés	70
4 Működés.....	71
5 Karbantartás.....	71
6 A használatot érintő korlátozások.....	72
7 Szintillesztés.....	72
7.1 Statikus illesztés.....	72
7.2 Dinamikus illesztés	72
8 Az illesztésre vonatkozó tanácsok.....	73
8.1 Dinamikus pilontermékek.....	73
8.2 Mercury térd	74
8.3 ESK+ 4 csapos váz	75
8.4 Linx, Orion3	75
8.5 KX06V2/ KX07	76
9 Műszaki adatok	77
10 Rendelési információk.....	77

1 Leírás és tervezett felhasználás

Ez a Használati útmutató az orvos és a felhasználó használatára szolgál, kivéve, ha máshogy jelezzük.

A jelen Használati útmutatóban az eszköz kifejezés a proximális piramisadapter-készletre utal.

Kérjük, olvassa el, és győződjön meg arról, hogy megértette a teljes használati útmutatót, különösen az összes biztonsági információt és karbantartási utasítást.

Alkalmazás

Az eszköz kizárólag alsó végtagprotézis részeként való alkalmazásra készült.

Az eszköz Blatchford moduláris alkatrészekkel való használatra van engedélyezve.

Egyetlen felhasználónál való használatra szolgál.

Aktivítási szint

Ez az eszköz megfelel az 1–4. aktivítási szintnek; testsúlykorlátozás érvényes, lásd 8 fejezet, *Műszaki adatok*. Természetesen vannak kivételek, és ajánlásainkban lehetőséget kívánunk adni az egyedi, egyéni körülményeknek, és minden ilyen döntést józan és alapos indoklással kell meghozni.

1. aktivítási szint

Képesség vagy lehetőség a protézis alkalmazására sík felületeken állandó ütemben való átkelésre vagy járásra. Jellemző a korlátozott vagy nem korlátozott járóbetegre.

2. aktivítási szint

Képesség vagy lehetőség járásra, alacsony magasságú környezeti akadályokon, például útpadkán, lépcsőn vagy egyenetlen felületeken való áthaladásra. Jellemző a korlátozott, közösségben mozgó járóbetegre.

3. aktivítási szint

Képesség vagy lehetőség változó ütemű járásra.

Jellemző a közösségben mozgó járóbetegre, aki képes áthaladni a legtöbb környezeti akadályon, és olyan foglalkozásbeli, terápiás vagy sporttevékenységet űz, amely az egyszerű helyváltoztatáson túl igényli a protézis használatát.

4. aktivítási szint

Képesség vagy lehetőség protézissel végzett olyan járásra, amely túllép az alapvető járási képességeken, erős behatást, nagy terhelést vagy energiaszintet mutat. A gyermekek, az aktív felnőttek vagy a sportolók protetikus igényeire jellemző.

Ellenjavallatok

- Kizárólag Blatchford eszközökkel történő használatra.
- 239089 – Nem használható, ha forgatásra van szükség.
- Csak a helyes irányban elhelyezett sapkával használható.

Klinikai előnyök

- **Lehetővé teszi a térdprotézis vagy pilon más protézis-alkatrészekhez való csatlakoztatását. Az igazítás optimalizálása érdekében testre szabható.**

2 Biztonsági információk



Ez a figyelmeztető szimbólum kiemeli a fontos biztonsági információkat, amelyeket gondosan követni kell.



Az eszköz teljesítményében vagy működésében jelentkező bármilyen változást, például szokatlan hangokat azonnal jelenteni kell a szolgáltatónak.



Lépcsőn lefelé menet és bármikor, amikor rendelkezésre áll, használjon korlátot.



Ne tegye ki szélsőséges melegnek és/vagy hidegnek.



A meghibásodás vagy a csavarcsatlakozások meglazulása okozta sérülésveszély csökkentése érdekében minden egyes beszerelés előtt győződjön meg arról, hogy a menetek alaposan meg vannak tisztítva.



Az eszköz hosszan tartó vízbe merítésre készült, és csak édesvízbe merítésre alkalmas. Ügyeljen arra, hogy az eszköz használata vízben megfeleljen a 6. részben (*A használatot érintő korlátozások*) megadott feltételeknek.



Mindig ügyeljen az ujj becsípődésének veszélyére.



Az eszköz összeszerelését, karbantartását és javítását kizárólag megfelelően képzett klinikus végezheti, aki részt vett jóváhagyott oktatáson.



A felhasználónak tilos módosítania vagy manipulálnia az eszköz beállításait.



Javasoljuk, hogy a felhasználó forduljon az orvoshoz, ha állapota változik.



Mindig a meghatározott forgatónyomaték-értéket használja a csavarokhoz/csapokhoz. Soha ne cserélje ki a csapot másik csappal. Mindig a meghatározott csapot használja.

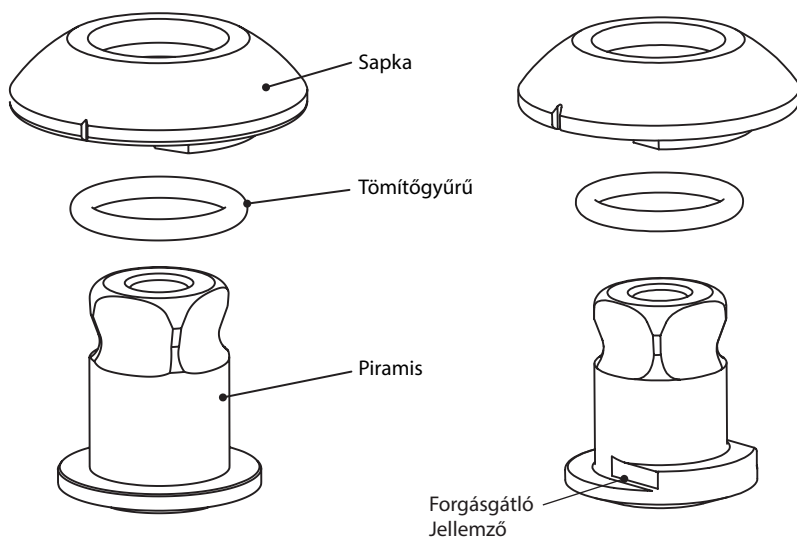


Ügyeljen arra, hogy vezetéskor csak megfelelően átalakított járművet használjon. Gépjárművek működtetése során minden személynek be kell tartania a vonatkozó vezetési jogszabályokat.

3 Felépítés

Fő alkatrészek

- Piramis titán
- Sapka alumínium
- Tömítőgyűrű nitril gumi



239017

239089

4 Működés

Lehetővé teszi a Blatchford piramisrendszer és a T-hornyos Blatchford komponensek csatlakoztatását.

Blatchford T-horony használata mellett lehetővé teszi az A–P elcsúszást és forgást.

Az eszköz nem forgó változata csak a csúszó funkciót teszi lehetővé.

5 Karbantartás

Szemrevételezéssel rendszeresen ellenőrizze az eszközt.

Számoljon be az orvosnak/szolgáltatónak az eszköz teljesítményének bármilyen változásáról.

A teljesítmény megváltozásába tartozhat például:

- Bármilyen szokatlan zaj
- Holtjáték vagy az illeszkedés megszűnése

Tájékoztassa az orvost/szolgáltatót testsúlya és/vagy aktivitási szintje bármilyen változásáról.

Tisztítás

Nedves ruhával és enyhe szappanos vízzel tisztítsa meg a külső felületeket. Ne használjon agresszív tisztítószereket.

A további utasítások ebben a szakaszban kizárólag az orvos használatára szolgálnak.

A karbantartást kizárólag hozzáértő személy végezheti (orvos vagy megfelelően képzett technikus).

Legalább évente végezze el a következő rutin karbantartást:

- Ellenőrizze, hogy az összes csavar biztosan tart-e. Ha nem, távolítsa el és tisztítsa meg a csavarokat, majd alkalmazzon újra Loctite csavarrögzítőt, és szorítsa meg az összes csavart a megfelelő forgatónyomatékra.
- Ellenőrizze, hogy nincs-e olyan látható meghibásodás, amely befolyásolhatja a megfelelő működést.

Győződjön meg arról, hogy a felhasználó elolvasta és megértette az összes biztonsági és felhasználói szintű karbantartásra vonatkozó információt.

Tájékoztassa a felhasználót, hogy az eszköz szemrevételezéssel történő, rendszeres ellenőrzése javasolt, és a működést esetleg befolyásoló kopás, elhasználódás vagy rozsdásodás jeleit jelenteni kell a szolgáltatónak.

Javasolja a felhasználónak, hogy tájékoztassa az orvost/szolgáltatót testsúlya és/vagy aktivitási szintje bármilyen változásáról.

6 A használatot érintő korlátozások

A tervezett élet

Helyi kockázatértékelést kell elvégezni az aktivitás és a felhasználás alapján.

Súlyok emelése

A felhasználó súlyát és aktivitását a megállapított határértékek szabályozzák.

A felhasználó által vitt súlyt a helyi kockázatértékelés alapján kell meghatározni.

Környezet

Ez az eszköz legfeljebb 1 méter mélységig vízálló.

A mozgó alkatrészek kopásának vagy sérülésének megelőzése érdekében alaposan öblítse át friss vízzel, ha dörzshatású – például homokos vagy poros – környezetben használta.

Sós vagy klóros vízben való használatot követően alaposan öblítse el friss vízben.



Vízbe merítésre alkalmas

Kizárólag -15 °C és 50 °C között használható.

7 Szintillesztés

Az ebben a szakaszban található utasítások kizárólag az orvos használatára szolgálnak.

7.1 Statikus illesztés

A flexió, az addukció és az abdukció megfelelő beállításához állítsa be az illesztést (A-P elcsúszás és dőlés [illetve forgatás, 239017]) az érintkező adapterekkel együtt. Győződjön meg arról, hogy a felhasználó stabil helyzetben tud állni a sarok és a lábujj egyenletes terhelésével.

7.2 Dinamikus illesztés

Koronális sík

A tok és a lábfej relatív pozíciójának állításával győződjön meg arról, hogy az M–L eltolás minimális.

Szagittális sík

A sarok leérkezésétől a lábujj felemelkedéséig tartó sima, stabil átmenet elérése érdekében állítsa a protézis-alkatrészek egymáshoz viszonyított pozícióját.

Megjegyzés... Győződjön meg arról, hogy a felhasználó stabil helyzetben tud állni a sarok és a lábujj egyenletes terhelésével.

8 Az illesztésre vonatkozó tanácsok

Az ebben a szakaszban található utasítások kizárólag az orvos használatára szolgálnak.

Kerülje a szélsőséges beállításokat.

Az A-P elcsúszás megfelelő tartományának biztosítása érdekében győződjön meg arról, hogy a sapka megfelelően helyezkedik el, és megfelelő irányban áll. Győződjön meg arról, hogy a 239089 jelű forgásgátló eszköze megfelelően van összeszerelve.

Annak érdekében, hogy az igazítás fennmaradjon használat közben, ügyeljen arra, hogy a piramis érintkező illesztőcsavarjai megfelelően legyenek meghúzva és rögzítve.

A beépítési vonalhoz a lehető legközelebb helyezze el, és ha lehet, kerülje a szélsőséges beállításokat.

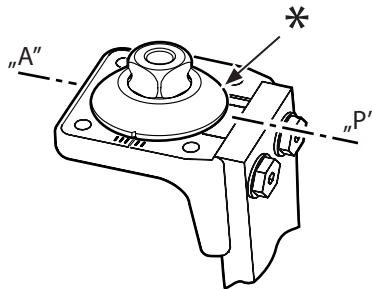
A következő ábrák jelmagyarázata

* = Forgásgátló eszköz, hátsó

** = Forgásgátló eszköz, elülső

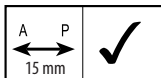
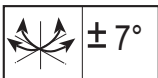
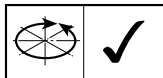
8.1 Dinamikus pilontermékek

239017						938306
239089						



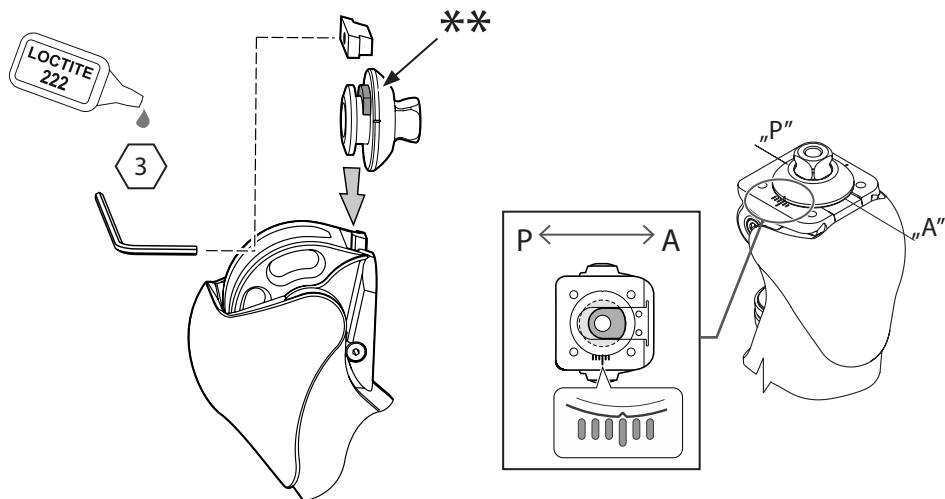
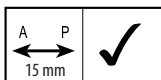
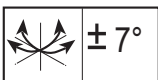
8.2 Mercury térd

239017



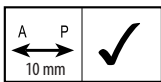
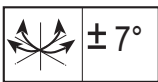
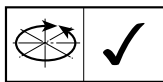
938251

239089



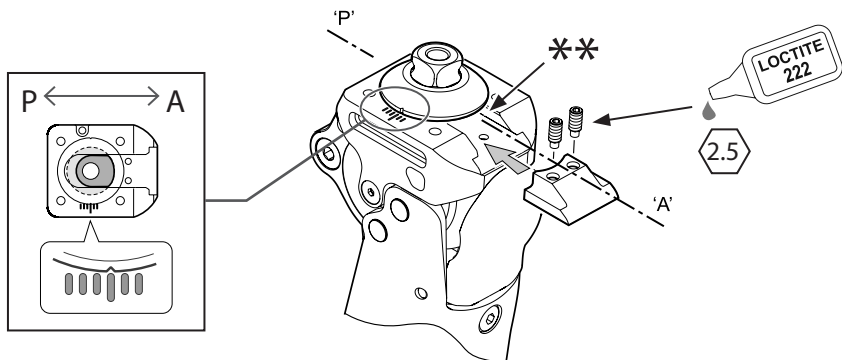
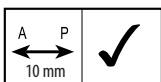
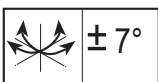
8.3 ESK+ 4 csapos v az

239017



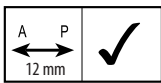
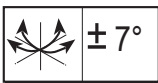
938205

239089



8.4 Linx, Orion3

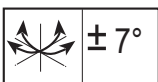
239017



Linx

938353

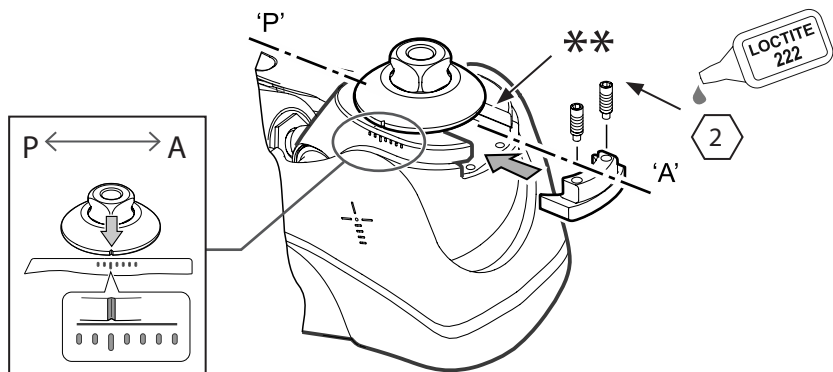
239089



Orion3

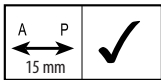
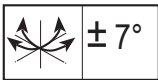
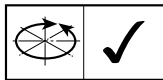


938374



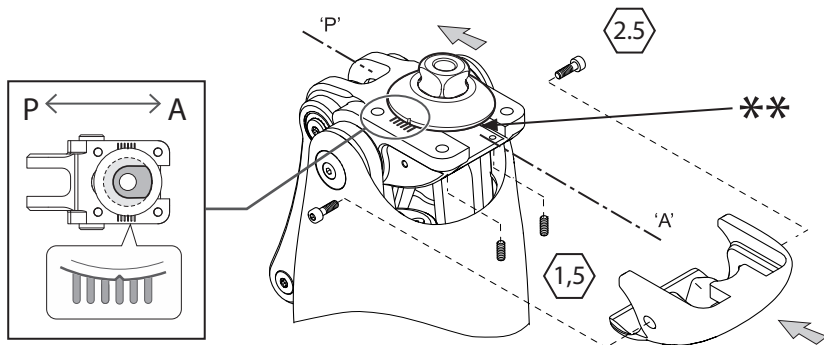
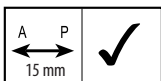
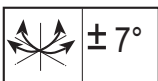
8.5 KX06V2/ KX07

239017



938409

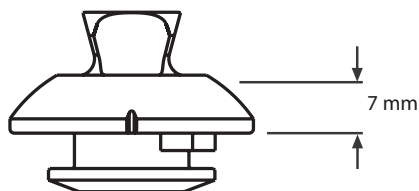
239089



9 Műszaki adatok

Üzemi és tárolási hőmérséklet-tartomány:	-15 °C–50 °C
Az alkatrész súlya:	50 g
Aktivítási szint:	1–4
A felhasználó maximális súlya:	166 kg
A szerkezet magassága:	7 mm

Illesztési magasság



10 Rendelési információk

Alkatrészsorszám

239017 Csatlakozódugós piramisadapter–forgó

239089 Csatlakozódugós piramisadapter–nem forgó

Felelősség

A gyártó azt javasolja, hogy az eszközt csak a megadott körülmények között és a tervezett célokra használják. Az eszköz karbantartását az ahhoz mellékelt használati útmutató szerint kell végezni. A gyártó nem felel semmilyen olyan nemkívánatos kimenetelért, amelyet általa jóvá nem hagyott alkatrész-kombináció okoz.

CE-megfelelőség

Ez a termék megfelel az orvostechnikai eszközökre vonatkozó 2017/745 európai uniós rendelet követelményeinek. Ezt a terméket 1. osztályú termékként sorolták be a rendelet VIII. mellékletében meghatározott osztályozási szabályok szerint. Az európai uniós megfelelőségi nyilatkozat a következő internetes oldalon érhető el: www.blatchford.co.uk.



Orvostechnikai eszköz



Egy beteg – többszöri felhasználás

Összeférhetőség

A Blatchford márkájú termékekkel való összeállítás a vonatkozó szabványok és az orvostechnikai eszközökre vonatkozó rendelet (MDR) szerint végzett tesztelés alapján engedélyezett, ideértve a szerkezeti vizsgálatot, a méretek összeférhetőségét és az ellenőrzött helyszíni teljesítményt.

Más, CE-jelzéssel ellátott termékekkel való összeállítást orvos által végzett, dokumentált helyi kockázatértékelésre figyelemmel kell elvégezni.

Jótállás

Az eszközre 24 hónapos jótállás vonatkozik.

A lábfejborításra 12 hónapos jótállás vonatkozik.

A zoknira 3 hónap jótállás vonatkozik.

A jótállás nem vonatkozik a fogyó alkatrészekre, többek között a vákuumcsőre, a soros szűrőre és a szelepekre, kivéve, ha a meghibásodás anyag- vagy gyártási hiba miatt következett be.

A felhasználónak tisztában kell lennie azzal, hogy a kifejezetten jóvá nem hagyott változtatások vagy módosítások érvényteleníthetik a jótállást, a működési engedélyeket és mentességeket.

A teljes jótállási nyilatkozatot lásd a Blatchford weboldalán.

A súlyos incidensek jelentése

Abban a valószínűtlen esetben, ha súlyos incidens történne az eszközzel kapcsolatban, azt jelenteni kell a gyártónak és az illetékes nemzeti hatóságnak.

Környezetvédelmi szempontok

Ez a termék poliuretánból készült, amely nem hasznosítható újra könnyen. Kérjük, felelősen ártalmatlanítsa általános hulladékként, a helyi hulladékkezelési szabályozások szerint.

Hacsak lehetséges, az alkatrészeket a helyi hulladékkezelési szabályozások szerint újra kell hasznosítani.

A csomagolás címkéjének megőrzése

Javasoljuk, hogy őrizze meg a csomagolás címkéjét a biztosított eszköz dokumentálásaként.

Védjegyre vonatkozó elismervények

Az Avalon és a Blatchford a Blatchford Products Limited bejegyzett védjegye.

A gyártó székhelye

Blatchford Products Limited, Lister Road, Basingstoke RG22 4AH, Egyesült Királyság

Περιεχόμενα.....	80
1 Περιγραφή και σκοπός για τον οποίο προορίζεται	81
2 Πληροφορίες για την ασφάλεια	82
3 Κατασκευή.....	83
4 Λειτουργία	84
5 Συντήρηση.....	84
6 Περιορισμοί για τη χρήση.....	85
7 Εργαστηριακή ευθυγράμμιση	85
7.1 Στατική ευθυγράμμιση.....	85
7.2 Δυναμική ευθυγράμμιση.....	85
8 Οδηγίες προσαρμογής.....	86
8.1 Προϊόντα δυναμικού πυλώνα.....	86
8.2 Γόνατο Mercury.....	87
8.3 Πλαίσιο 4 κοχλιών ESK+	88
8.4 Linx, Orion3	88
8.5 KX06V2/ KX07	89
9 Τεχνικά στοιχεία.....	90
10 Πληροφορίες παραγγελίας.....	90

1 Περιγραφή και σκοπός για τον οποίο προορίζεται

Αυτές οι οδηγίες χρήσης προορίζονται για χρήση από τον ιατρό και τον χρήστη, εκτός αν αναφέρεται κάτι διαφορετικό.

Ο όρος *συσσκευή* όπως χρησιμοποιείται σε αυτές τις οδηγίες χρήσης αναφέρεται στο κιτ προσαρμογέα εγγύς πυραμίδας.

Διαβάστε και βεβαιωθείτε ότι κατανοήσατε όλες τις οδηγίες χρήσης, ιδιαίτερα όλες τις πληροφορίες για την ασφάλεια και τις οδηγίες συντήρησης.

Εφαρμογή

Η συσκευή έχει σχεδιαστεί για να χρησιμοποιείται αποκλειστικά ως μέρος μιας πρόθεσης κάτω άκρου.

Η συσκευή είναι εγκεκριμένη για χρήση με αρθρωτά εξαρτήματα Blatchford.

Προορίζεται για έναν μόνο χρήστη.

Επίπεδο σωματικής δραστηριότητας

Αυτή η συσκευή είναι κατάλληλη για τα επίπεδα δραστηριότητας 1 έως 4. Ισχύουν όρια βάρους, βλ. *Τεχνικά στοιχεία*, ενότητα 8. Ασφαλώς υπάρχουν εξαιρέσεις και στη σύστασή μας θέλουμε να υπάρχει πρόβλεψη για μοναδικές, ατομικές περιστάσεις και οποιαδήποτε τέτοια απόφαση θα πρέπει να λαμβάνεται με βásiμη και διεξοδική αιτιολόγηση.

Επίπεδο σωματικής δραστηριότητας 1

Ο χρήστης έχει την ικανότητα ή τη δυνατότητα να χρησιμοποιεί πρόθεση για μετακινήσεις ή βάδιση σε επίπεδες επιφάνειες, με σταθερό ρυθμό. Αυτό είναι χαρακτηριστικό του περιορισμένου και μη περιορισμένου περιπατητή.

Επίπεδο σωματικής δραστηριότητας 2

Ο χρήστης έχει την ικανότητα ή τη δυνατότητα για βάδιση και μπορεί να διαβαίνει περιβαλλοντικά εμπόδια χαμηλού επιπέδου, όπως πεζοδρόμια, σκαλιά ή ανώμαλες επιφάνειες. Αυτό είναι χαρακτηριστικό του περιορισμένου περιπατητή που βγαίνει στην κοινωνία.

Επίπεδο σωματικής δραστηριότητας 3

Ο ασθενής έχει την ικανότητα ή τη δυνατότητα για βάδιση με μεταβλητό ρυθμό.

Αυτό είναι χαρακτηριστικό του περιπατητή που βγαίνει στην κοινωνία, ο οποίος έχει την ικανότητα να διαβαίνει τα περισσότερα περιβαλλοντικά εμπόδια και μπορεί να διεξάγει επαγγελματική, θεραπευτική ή αθλητική δραστηριότητα που απαιτεί προσθετική χρήση πέρα από την απλή μετακίνηση.

Επίπεδο σωματικής δραστηριότητας 4

Ο ασθενής έχει την ικανότητα ή τη δυνατότητα για προσθετική βάδιση που υπερβαίνει τη βασική ικανότητα βάδισης, επιδεικνύοντας υψηλά επίπεδα πρόσκρουσης, καταπόνησης ή ενέργειας. Αυτό είναι χαρακτηριστικό των προσθετικών απαιτήσεων ενός παιδιού, δραστήριου ενήλικα ή αθλητή.

Αντενδείξεις

- Μόνο για χρήση με συσκευές Blatchford.
- 239089 - Ακατάλληλο για χρήση αν απαιτείται εναλλαγή.
- Χρησιμοποιείτε μόνο με τον θόλο στον σωστό προσανατολισμό.

Κλινικά οφέλη

- **Επιτρέπει τη σύνδεση μεταξύ του προσθετικού γόνατος ή του πυλώνα με άλλα προσθετικά εξαρτήματα, τα οποία μπορούν να προσαρμοστούν για βελτιστοποίηση της ευθυγράμμισης.**

2 Πληροφορίες για την ασφάλεια



Αυτό το προειδοποιητικό σύμβολο επισημαίνει σημαντικές πληροφορίες για την ασφάλεια, οι οποίες πρέπει να ακολουθούνται προσεκτικά.



Τυχόν αλλαγές στην απόδοση ή τη λειτουργία της συσκευής, π.χ. ασυνήθιστοι θόρυβοι, θα πρέπει να αναφέρονται αμέσως στον πάροχο υπηρεσιών σας.



Χρησιμοποιείτε πάντα χειρολισθήρα όταν κατεβαίνετε σκάλες και οποιαδήποτε άλλη στιγμή, εφόσον είναι διαθέσιμος.



Αποφύγετε την έκθεση σε υπερβολική ζέστη ή/και υπερβολικό κρύο.



Για να μειωθεί ο κίνδυνος τραυματισμού λόγω αστοχίας ή χαλάρωσης των συνδέσεων με βίδες, βεβαιωθείτε ότι τα σπειρώματα των κοχλιών έχουν καθαριστεί σχολαστικά πριν από κάθε τοποθέτηση.



Η συσκευή έχει σχεδιαστεί για παρατεταμένη βύθιση και είναι κατάλληλη για εμβάπτιση σε γλυκό νερό μόνο. Βεβαιωθείτε ότι οποιαδήποτε χρήση της συσκευής σε νερό συμμορφώνεται με τις προϋποθέσεις που αναφέρονται στην ενότητα 6 *Περιορισμοί για τη χρήση*.



Να προσέχετε για τυχόν κίνδυνο παγίδευσης δακτύλων ανά πάσα στιγμή.



Η συναρμολόγηση, η συντήρηση και η επισκευή της συσκευής πρέπει να διενεργούνται μόνο από ιατρό με τα κατάλληλα προσόντα, που έχει παρακολουθήσει εγκεκριμένο κύκλο κατάρτισης.



Ο χρήστης δεν πρέπει να ρυθμίζει τη συσκευή ή να παρεμβαίνει στη ρύθμισή της.



Ο χρήστης θα πρέπει να συμβουλευτείται να επικοινωνήσει με τον ιατρό του σε περίπτωση αλλαγής της κατάστασής του.



Εφαρμόζετε πάντα την καθορισμένη τιμή ροπής στον κοχλία. Ποτέ μην αντικαθιστάτε τον κοχλία με εναλλακτικό κοχλία. Πάντα να χρησιμοποιείτε τον καθορισμένο κοχλία.

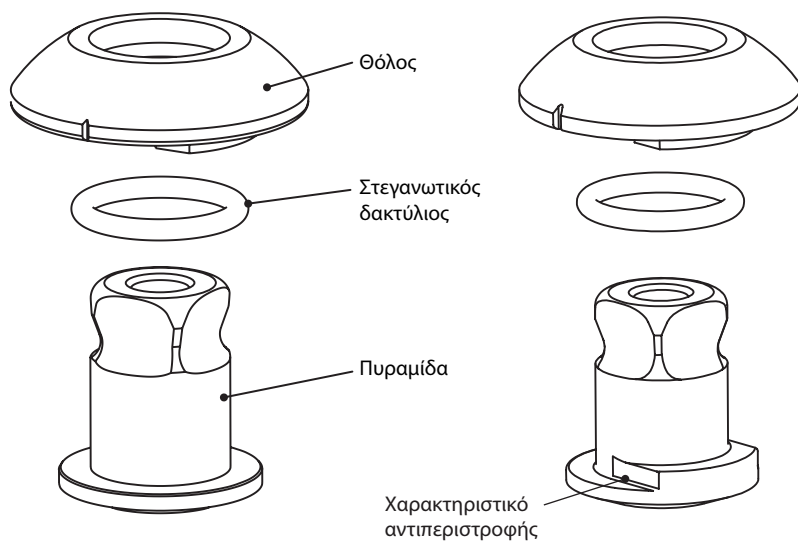


Βεβαιωθείτε ότι χρησιμοποιούνται μόνο οχήματα με κατάλληλες μετατροπές κατά την οδήγηση. Όλα τα άτομα υποχρεούνται να τηρούν τους αντίστοιχους νόμους οδικής κυκλοφορίας όταν χειρίζονται μηχανοκίνητα οχήματα.

3 Κατασκευή

Κύρια μέρη

- Πυραμίδα Τίταnio
- Θόλος Αλουμίνιο
- Στεγανωτικός δακτύλιος Νιτρίλιο



239017

239089

4 Λειτουργία

Επιτρέπει την προσάρτηση μεταξύ ενός συστήματος πυραμίδας Blatchford και εξαρτημάτων Blatchford με σχισμή «T».

Επιτρέπει την Π/Ο ολίσθηση και την περιστροφή όταν χρησιμοποιείται σε συνδυασμό με μια σχισμή Blatchford «T».

Η μη περιστρεφόμενη έκδοση της συσκευής επιτρέπει μόνο τη λειτουργία ολίσθησης.

5 Συντήρηση

Ελέγχετε οπτικά τη συσκευή σε τακτά χρονικά διαστήματα.

Αναφέρετε οποιοσδήποτε αλλαγές στην απόδοση αυτής της συσκευής στον ιατρό/τον πάροχο υπηρεσιών.

Οι αλλαγές στην απόδοση μπορεί να περιλαμβάνουν τα εξής:

- Τυχόν ασυνήθιστο θόρυβο
- Τυχόν τζόγος ή απώλεια ευθυγράμμισης

Ενημερώστε τον ιατρό/τον πάροχο υπηρεσιών για τυχόν αλλαγές στο σωματικό βάρος ή/και το επίπεδο σωματικής δραστηριότητας.

Καθαρισμός

Χρησιμοποιήστε υγρό πανί και ήπιο σαπούνι για να καθαρίσετε τις εξωτερικές επιφάνειες και μη χρησιμοποιείτε επιθετικά καθαριστικά.

Οι υπόλοιπες οδηγίες της ενότητας αυτής προορίζονται μόνο για χρήση από ιατρούς.

Η συντήρηση πρέπει να εκτελείται μόνο από αρμόδιο προσωπικό (ιατρό ή κατάλληλο εκπαιδευμένο τεχνικό).

Εκτελείτε την παρακάτω συντήρηση ρουτίνας τουλάχιστον σε ετήσια βάση:

- Βεβαιωθείτε ότι όλες οι βίδες είναι καλά σφιγμένες. Αν δεν είναι, αφαιρέστε και καθαρίστε τις βίδες, εφαρμόστε ξανά Loctite και σφίξτε όλες τις βίδες με τη σωστή ρύθμιση ροπής.
- Ελέγξτε για ορατά ελαττώματα που θα μπορούσαν να επηρεάσουν τη σωστή λειτουργία.

Βεβαιωθείτε ότι ο χρήστης έχει διαβάσει και κατανοήσει όλες τις πληροφορίες ασφαλείας και συντήρησης σε επίπεδο χρήστη.

Ενημερώστε τον χρήστη ότι συνιστάται τακτικός οπτικός έλεγχος της συσκευής και ότι θα πρέπει να αναφέρονται στον πάροχο υπηρεσιών ενδείξεις φθοράς, υποβάθμισης ή διάβρωσης που μπορεί να επηρεάσουν τη λειτουργία της.

Συμβουλευστε τον χρήστη να ενημερώσει τον ιατρό/τον πάροχο υπηρεσιών για οποιοσδήποτε αλλαγές στο σωματικό βάρος ή/και το επίπεδο σωματικής δραστηριότητας.

6 Περιορισμοί για τη χρήση

Προβλεπόμενη διάρκεια ζωής

Θα πρέπει να διεξαχθεί επιτόπια αξιολόγηση κινδύνου βάσει της δραστηριότητας και της χρήσης.

Άρση φορτίου

Το βάρος και η δραστηριότητα του χρήστη εξαρτώνται από τα αναφερόμενα όρια.

Η μεταφορά φορτίου από τον χρήστη θα πρέπει να βασίζεται σε επιτόπια αξιολόγηση κινδύνου.

Περιβάλλον

Η συσκευή αυτή είναι αδιάβροχη σε μέγιστο βάθος 1 μέτρου.

Ξεπλύνετε καλά με γλυκό νερό μετά τη χρήση σε διαβρωτικά περιβάλλοντα, όπως για παράδειγμα αυτά που μπορεί να περιέχουν άμμο ή χαλίκι, ώστε να αποφύγετε τη φθορά ή την πρόκληση βλάβης στα κινούμενα μέρη.

Ξεπλύνετε καλά με γλυκό νερό μετά τη χρήση σε θαλασσινό ή χλωριωμένο νερό.



Κατάλληλο για βύθιση σε υγρό

Αποκλειστικά για χρήση σε θερμοκρασία μεταξύ -15 °C και 50 °C.

7 Εργαστηριακή ευθυγράμμιση

Οι οδηγίες της ενότητας αυτής προορίζονται μόνο για χρήση από ιατρούς.

7.1 Στατική ευθυγράμμιση

Ρυθμίστε την ευθυγράμμιση (Π/Ο ολίσηση και κλίση (και περιστροφή για το 239017)) σε συνδυασμό με τους προσαρμογείς ώστε να είναι δυνατή η κάμψη, η προσαγωγή ή η απαγωγή. Βεβαιωθείτε ότι ο χρήστης μπορεί να σταθεί σε σταθερή θέση με ομοιόμορφη φόρτωση της πτέρνας και των δακτύλων του ποδιού.

7.2 Δυναμική ευθυγράμμιση

Στεφανιαίο επίπεδο

Βεβαιωθείτε ότι η Μ/Π όση είναι ελάχιστη, ρυθμίζοντας τις σχετικές θέσεις της θήκης και του πέλματος.

Οβελιαίο επίπεδο

Ρυθμίστε τις σχετικές θέσεις των προσθετικών εξαρτημάτων για να επιτύχετε ομαλή, σταθερή μετάβαση από την κρούση της πτέρνας ως την απομάκρυνση των δακτύλων.

Σημείωση... Βεβαιωθείτε ότι ο χρήστης μπορεί να σταθεί σε σταθερή θέση με ομοιόμορφη φόρτωση της πτέρνας και των δακτύλων του ποδιού.

8 Οδηγίες προσαρμογής

Οι οδηγίες της ενότητας αυτής προορίζονται μόνο για χρήση από ιατρούς.

Αποφεύγετε τις ακραίες ευθυγραμμίσεις.

Για να διασφαλίσετε το σωστό εύρος της Π/Ο ολίσθησης, βεβαιωθείτε ότι ο θόλος έχει τοποθετηθεί με τον σωστό τρόπο ή ότι είναι σωστά προσανατολισμένος. Βεβαιωθείτε ότι το χαρακτηριστικό αντιπεριστροφής του 239089 έχει συναρμολογηθεί σωστά.

Για να αποφύγετε την απώλεια ευθυγράμμισης κατά τη χρήση, βεβαιωθείτε ότι οι βίδες ευθυγράμμισης της διασυνδεόμενης πυραμίδας έχουν σφικτεί με την κατάλληλο ροπή στρέψης και στερεωθεί σωστά.

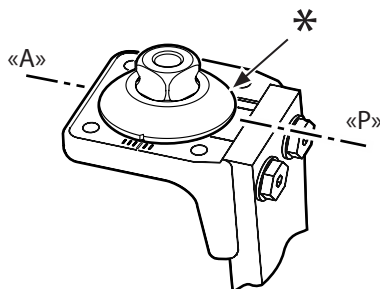
Τοποθετήστε όσο το δυνατόν πιο κοντά στη γραμμή φόρτισης, αν είναι δυνατόν αποφεύγοντας τις ακραίες ευθυγραμμίσεις.

Επεξήγηση των παρακάτω διαγραμμάτων

- * = Χαρακτηριστικό αντιπεριστροφής οπίσθια
- ** = Χαρακτηριστικό αντιπεριστροφής πρόσθια

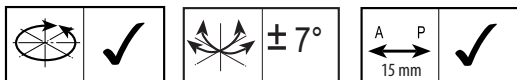
8.1 Προϊόντα δυναμικού πυλώνα

239017						
					938306	
239089						

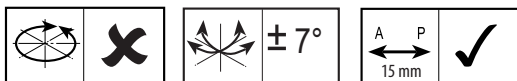


8.2 Γόνατο Mercury

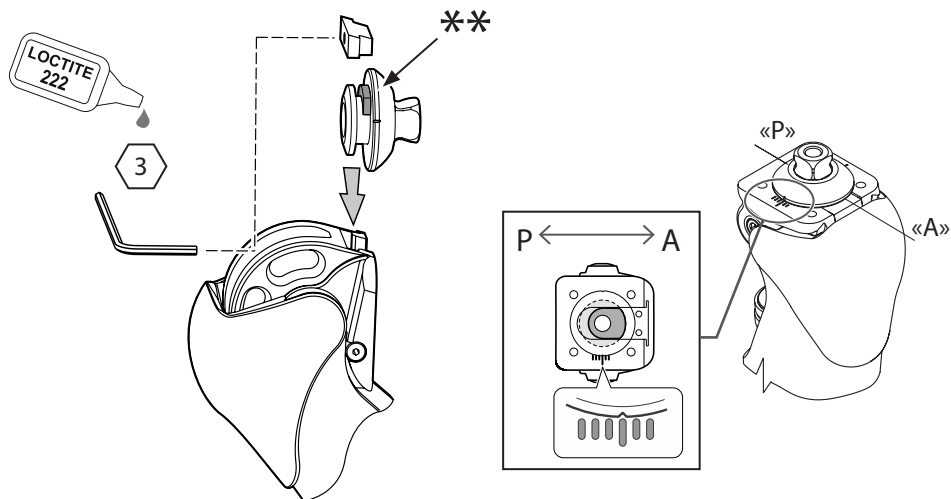
239017



239089

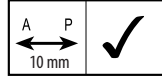


938251



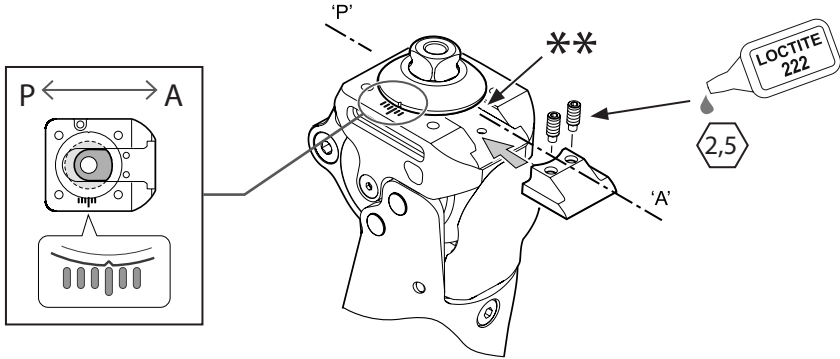
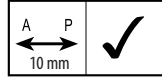
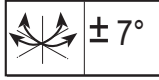
8.3 Πλαίσιο 4 κοχλιών ESK+

239017



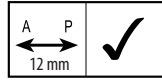
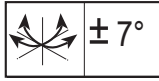
938205

239089



8.4 Linx, Orion3

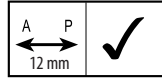
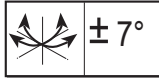
239017



Linx

938353

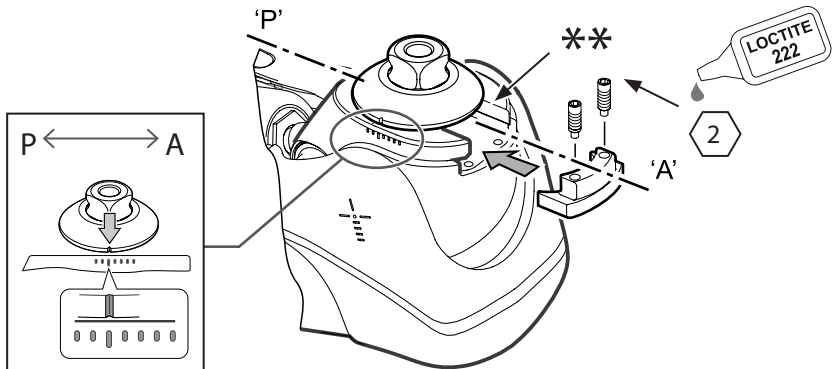
239089



Orion3

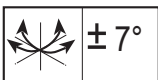


938374



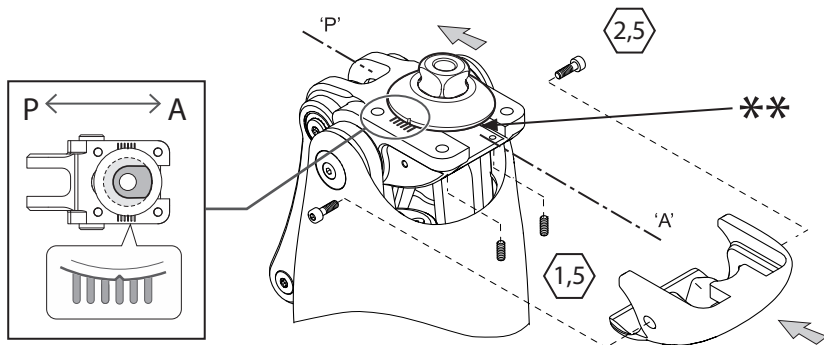
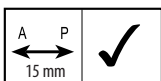
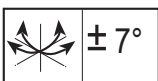
8.5 KX06V2/ KX07

239017



938409

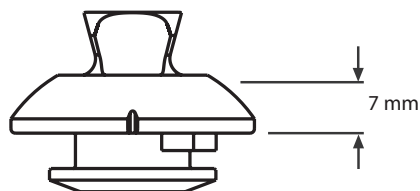
239089



9 Τεχνικά στοιχεία

Εύρος τιμών θερμοκρασίας χειρισμού και φύλαξης:	-15 °C έως 50 °C
Βάρος εξαρτημάτων:	50 g
Επίπεδο σωματικής δραστηριότητας:	1–4
Μέγιστο βάρος χρήστη:	166 kg
Ύψος κατασκευής:	7 mm

Μήκος προσαρμογής



10 Πληροφορίες παραγγελίας

Αριθμοί εξαρτημάτων

239017 Προσαρμογέας αρσενικής πυραμίδας –Περιστρεφόμενος

239089 Προσαρμογέας αρσενικής πυραμίδας –Μη περιστρεφόμενος

Ευθύνη

Ο κατασκευαστής συνιστά τη χρήση της συσκευής μόνο υπό τις καθορισμένες συνθήκες και για τους προβλεπόμενους σκοπούς. Η συσκευή πρέπει να συντηρείται σύμφωνα με τις οδηγίες χρήσης που συνοδεύουν τη συσκευή. Ο κατασκευαστής δεν φέρει ευθύνη για οποιοδήποτε δυσμενές αποτέλεσμα προκληθεί από συνδυασμούς εξαρτημάτων που δεν έχουν εγκριθεί από αυτόν.

Πιστότητα CE

Το προϊόν αυτό ικανοποιεί τις απαιτήσεις του Ευρωπαϊκού Κανονισμού (ΕΕ) 2017/745 περί ιατροτεχνολογικών προϊόντων. Το προϊόν αυτό έχει ταξινομηθεί ως ιατροτεχνολογικό προϊόν κατηγορίας Ι σύμφωνα με τους κανόνες ταξινόμησης που περιγράφονται στο παράρτημα VIII του κανονισμού. Η δήλωση πιστότητας ΕΕ διατίθεται στην ακόλουθη διεύθυνση στο Internet: www.blatchford.co.uk.



Ιατροτεχνολογικό προϊόν



Πολλαπλή χρήση – σε έναν μόνο ασθενή

Συμβατότητα

Ο συνδυασμός με προϊόντα επωνυμίας Blatchford εγκρίνεται βάσει δοκιμών σύμφωνα με τα σχετικά πρότυπα και την οδηγία περί των ιατροτεχνολογικών προϊόντων, συμπεριλαμβανομένων δομικών δοκιμών, συμβατότητας διαστάσεων και παρακολουθούμενης απόδοσης πεδίου.

Ο συνδυασμός με εναλλακτικά προϊόντα με σήμανση CE πρέπει να πραγματοποιείται βάσει τεκμηριωμένης επιτόπιας αξιολόγησης κινδύνου που έχει διεξαχθεί από ιατρό.

Εγγύηση

Η συσκευή αυτή καλύπτεται από εγγύηση 24 μηνών.

Το κέλυφος πέλματος καλύπτεται από εγγύηση 12 μηνών.

Η προστατευτική κάλτσα καλύπτεται από εγγύηση 3 μηνών.

Η παρούσα εγγύηση δεν ισχύει για τα αναλώσιμα μέρη, συμπεριλαμβανομένων της σωλήνωσης αρνητικής πίεσης, του φίλτρου εν σειρά και των βαλβίδων, εκτός αν έχει συμβεί αστοχία λόγω ελαττώματος ως προς τα υλικά ή την εργασία.

Ο χρήστης πρέπει να ενημερώνεται ότι οι αλλαγές ή οι τροποποιήσεις που δεν έχουν εγκριθεί ρητά ενδέχεται να ακυρώσουν την εγγύηση, τις άδειες λειτουργίας και τις εξαιρέσεις.

Ανατρέξτε στον ιστότοπο της Blatchford για την τρέχουσα πλήρη δήλωση εγγύησης.

Αναφορά σοβαρών περιστατικών

Στην απίθανη περίπτωση που προκύψει κάποιο σοβαρό περιστατικό σε σχέση με τη συσκευή αυτή, αυτό θα πρέπει να αναφερθεί στον κατασκευαστή και τις αρμόδιες εθνικές αρχές.

Θέματα περιβάλλοντος

Αυτό το προϊόν είναι κατασκευασμένο από πολυουρεθάνη που δεν μπορεί να ανακυκλωθεί εύκολα: απορρίψτε το υπεύθυνα ως γενικά απόβλητα, σύμφωνα με τους τοπικούς κανονισμούς χειρισμού αποβλήτων.

Όπου αυτό είναι δυνατόν, τα εξαρτήματα θα πρέπει να ανακυκλώνονται σύμφωνα με τους τοπικούς κανονισμούς χειρισμού αποβλήτων.

Διατήρηση της ετικέτας συσκευασίας

Συνιστάται να διατηρείτε την ετικέτα της συσκευασίας ως αρχείο της παρεχόμενης συσκευής.

Αναγνωρίσεις εμπορικών σημάτων

Οι ονομασίες Avalon και Blatchford είναι σήματα κατατεθέντα της Blatchford Products Limited.

Καταχωρημένη διεύθυνση κατασκευαστή

Blatchford Products Limited, Lister Road, Basingstoke RG22 4AH, Ηνωμένο Βασίλειο.

Saturs.....	93
1 Apraksts un paredzētais mērķis	94
2 Drošības informācija	95
3 Uzbūve	96
4 Funkcija.....	97
5 Apkope.....	97
6 Lietošanas ierobežojumi.....	98
7 Stenda salāgošana	98
7.1 Statiskā salāgošana	98
7.2 Dinamiskā salāgošana.....	98
8 Pielāgošanas ieteikumi.....	99
8.1 Dinamiskie piloni.....	99
8.2 Mercury celis.....	100
8.3 ESK+ 4 skrūvju šasija	101
8.4 Linx, Orion3	101
8.5 KX06V2/ KX07	102
9 Tehniskie dati.....	103
10 Pasūtīšanas informācija.....	103

1 Apraksts un paredzētais mērķis

Šī lietošanas pamācība ir paredzēta speciālistam un lietotājam, ja vien nav norādīts citādi.

Termins *ierīce* šajā lietošanas pamācībā tiek lietots, lai apzīmētu proksimālā piramīdas adaptera komplektu.

Lūdzu, izlasiet un pārliecinieties, ka izprotat visu lietošanas pamācību — it īpaši visu informāciju par drošību un apkopes norādījumus.

Pielietojums

Paredzēts, ka šī ierīce tiks lietota tikai kā apakšējo ekstremitāšu protēzes daļa.

Šī ierīce ir apstiprināta lietošanai ar Blatchford moduļu komponentiem.

Paredzēta tikai vienam lietotājam.

Aktivitātes līmenis

Šī ierīce ir piemērota 1. līdz 4. aktivitātes līmenim; pastāv ķermeņa masas ierobežojumi; skatīt *Tehniskie dati*, sadaļu 8. Protams, pastāv izņēmumi, un mūsu ieteikumā vēlamies pieļaut unikālus, individuālus apstākļus, un jebkurš šāds lēmums ir jāpieņem, ja ir skaidrs un pārdomāts pamatojums.

1. aktivitātes līmenis

Spēj vai ir potenciāls izmantot protēzi, lai pārvietotos ar palīdzību vai staigātu pa līdzenu virsmu fiksētā tempā. Tipiski personai, kura spēj staigāt ar vai bez ierobežojumiem.

2. aktivitātes līmenis

Spēja vai potenciāls staigāt ar palīgīdzekli ar spēju šķērsot nelielas vides barjeras, piemēram, ietves malas, kāpnes vai nelidzenas virsmas. Tipiski cilvēkam, kas pārvietojas ar ierobežojumiem ārpus mājām.

3. aktivitātes līmenis

Spēja vai potenciāls pārvietoties ar mainīgu tempu.

Tipiski cilvēkam, kurš var neatkarīgi pārvietoties ārpus mājas, šķērsojot lielāko daļu vides barjeru, un kuram var būt profesionālā, terapeitiskā vai fiziskā aktivitāte, kam nepieciešama protēzes izmantošana, kas pārsniedz parastu pārvietošanos.

4. aktivitātes līmenis

Spēja vai potenciāls staigāt, kas pārsniedz parastās pārvietošanās ar protēzi prasmes, pieļaujot augstu triecienu, stresa vai enerģijas pakāpi. Tipiski bērnu, aktīvu pieaugušo vai sportistu protezēšanas vajadzībām.

Kontrindikācijas

- Lietošanai tikai ar Blatchford ierīcēm.
- 239089 — nav piemērots, ja nepieciešama rotācija.
- Lietot tikai ar kupolu pareizajā virzienā.

Kliniskie ieguvumi

- Ļauj izveidot savienojumu starp protēzes celi vai pilonu un citu protēzes komponentu, ko var pielāgot, lai optimizētu salāgojumu.

2 Drošības informācija



Šis brīdinājuma simbols izceļ svarīgu drošības informāciju, kas rūpīgi jāievēro.



Par jebkādām ierīces veiktspējas vai funkcionēšanas izmaiņām, piem., neparastiem trokšņiem, nekavējoties ziņojiet savam pakalpojumu sniedzējam.



Ejot pa kāpnēm lejā un jebkurā citā laikā vienmēr izmantojiet kāpņu margas, kad tās ir pieejamas.



Izvairieties no pārmērīga karstuma un/ vai aukstuma iedarbības.



Lai samazinātu traumu risku skrūvju savienojumu kļūmes vai vaļīguma dēļ, pirms katras uzstādīšanas pārlicinieties, ka skrūves vītnes ir rūpīgi iztīrītas.



Ierīce ir paredzēta ilgstošai iegremdēšanai un piemērota tikai iegremdēšanai saldūdenī. Pārlicinieties, ka ierīces lietošana ūdenī atbilst nosacījumiem, kas norādīti 6. sadaļā *Lietošanas ierobežojumi*.



Vienmēr apzinieties pirkstu iespīšanas bīstamību.



Ierīces montāžu, apkopi un remontu drīkst veikt tikai atbilstoši kvalificēts ārsts, kas apmeklējis apstiprinātu apmācības kursu.



Lietotājs nedrīkst regulēt vai izmainīt ierīces iestatījumu.



Ja mainās ierīces stāvoklis, lietotājam ieteicams sazināties ar speciālistu.



Vienmēr izmantojiet norādīto griezes momenta vērtību skrūvei. Skrūvi nedrīkst nomainīt ar citu skrūvi. Vienmēr lietojiet norādīto skrūvi.

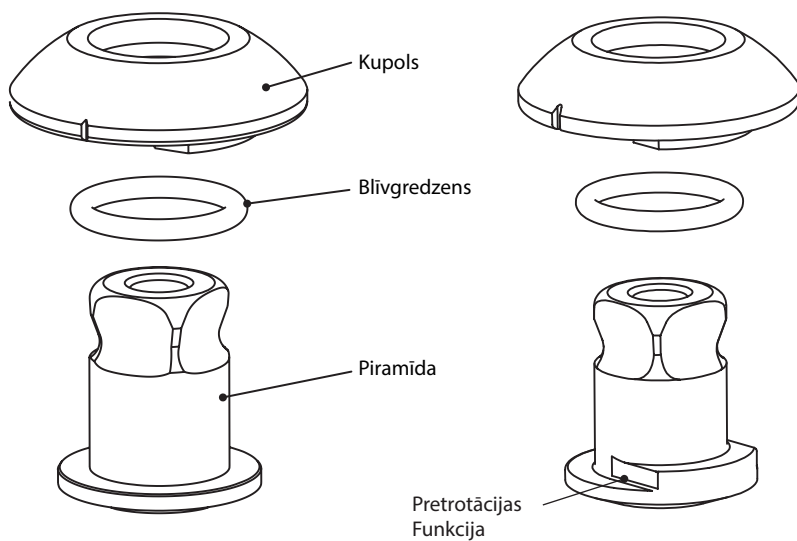


Pārlicinieties, ka braukšanas laikā tiek izmantoti tikai atbilstoši aprīkoti transportlīdzekļi. Visām personām, vadot mehāniskos transportlīdzekļus, ir jāievēro attiecīgie satiksmes noteikumi.

3 Uzbūve

Galvenās daļas

- Piramīda
 - Kupols
 - Blīvgredzens
- Titāns
Alumīnijs
Nitrila gumija



239017

239089

4 Funkcija

Ļauj izveidot savienojumu starp Blatchford piramīdu sistēmu un Blatchford komponentiem ar "T" ierobi.

Ļauj veikt A-P pārbīdi un rotāciju, ja lieto kopā ar Blatchford "T" ierobi.

Šis ierīces nerotējošā versija ļauj veikt tikai slidošas kustības.

5 Apkope

Regulāri vizuāli pārbaudiet ierīci.

Par visām šīs ierīces veiktspējas izmaiņām jāziņo ārstam/pakalpojumu sniedzējam.

Veiktspējas izmaiņas ietver:

- jebkādu neparastu troksni;
- pārmērīgu kustību vai salāgojuma zudumu.

Informējiet speciālistu/pakalpojumu sniedzēju par jebkādam ķermeņa masas un/vai aktivitātes līmeņa izmaiņām.

Tīrīšana

Izmantojiet mitru drānu un vieglu ziepjūdeni, lai notīrītu ārējās virsmas; neizmantojiet agresīvus tīrīšanas līdzekļus.

Turpmākie šajā sadaļā esošie norādījumi paredzēti tikai speciālistam.

Apkopi drīkst veikt tikai kompetents personāls (speciālists vai atbilstoši apmācīts tehniķis).

Vismaz reizi gadā veiciet šādu parasto apkopi:

- Pārlicinieties, ka visas skrūves ir drošas. Ja tā nav, izskrūvējiet un notīriet skrūves, atkārtoti uzklājiet Loctite un pievelciet visas skrūves līdz pareizajam griezes momenta iestatījumam.
- Pārbaudiet, vai nav vizuālu defektu, kas var ietekmēt pareizu darbību.

Pārlicinieties, ka lietotājs ir izlasījis un sapratis visu drošības un lietotājam veicamās apkopes informāciju.

Norādiet lietotājam, ka ir ieteicama regulāra vizuāla ierīces pārbaude un gadījumā, ja redzamas nodiluma, nolietošanās vai korozijas pazīmes, kas var ietekmēt funkcionalitāti, par to ir jāziņo pakalpojumu sniedzējam.

Iesakiet lietotājam informēt speciālistu/pakalpojumu sniedzēju par jebkādam ķermeņa masas un/vai aktivitātes līmeņa izmaiņām.

6 Lietošanas ierobežojumi

Paredzētais kalpošanas laiks

Jāveic vietējs riska novērtējums, pamatojoties uz aktivitāti un lietojumu.

Celšanas slodzes

Lietotāja ķermeņa masu un aktivitāti regulē noteiktie ierobežojumi.

Lietotāja slodzei jāatbilst vietējā riska novērtējumā noteiktajai.

Vide

Šī ierīce ir ūdensizturīga maksimāli līdz 1 metra dziļumam.

Pēc lietošanas abrazīvās vidēs, piemēram, vietās, kur, var būt smiltis vai grants, rūpīgi nomazgājiet ar tīru ūdeni, lai novērstu kustīgu daļu nodilumu vai bojājumus.

Pēc lietošanas sāls vai hlorētā ūdenī rūpīgi noskalojiet ar saldūdeni.



Piemērota iegremdēšanai

Lietojiet tikai temperatūrā no -15 °C līdz 50 °C.

7 Stenda salāgošana

Šajā sadaļā esošie norādījumi paredzēti tikai speciālistam.

7.1 Statiskā salāgošana

Noregulējiet salāgojumu (A-P pārbīde un sasvērums (un rotācija 239017)) kombinācijā ar saskarni veidojošajiem adapteriem pareizai fleksijai, adukcijai vai abdukcijai. Pārliedzinieties, ka lietotājs var stabili stāvēt ar vienmērīgi noslogotu papēdi un pirkstu.

7.2 Dinamiskā salāgošana

Koronālā plakne

Uzmasas un pēdas relatīvās pozīcijas regulēšanas laikā pārliedzinieties, ka M-L vilce ir minimāla.

Sagītālā plakne

Salāgojiet protēzes komponentu savstarpējo stāvokli, lai nodrošinātu vienmērīgu pāreju no papēža, uz pirkstu.

Piezīme... Pārliedzinieties, ka lietotājs var stabili stāvēt ar vienmērīgi noslogotu papēdi un pirkstu.

8 Pielāgošanas ieteikumi

Šajā sadaļā esošie norādījumi paredzēti tikai speciālistam.

Izvairieties no galējām salāgošanas vērtībām.

Lai nodrošinātu pareizu A-P pārbīdes diapazonu, kupolam ir jābūt pievienotam pareizā veidā un pareizā virzienā. Pārliedzinieties, ka 239089 pretrotācijas mehānisms ir pareizi salikts.

Lai izvairītos no salāgojuma zuduma lietošanas laikā, pārliedzinieties, ka piramīdu salāgošanas skrūves saskarnē ir pievilktas līdz pareizajam griezes momentam un nostiprinātas.

Novietojiet pēc iespējas tuvāk iestrādātajai līnijai; ja iespējams, izvairieties no galējām salāgojuma vērtībām.

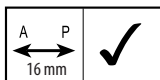
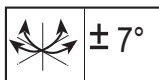
Diagrammu skaidrojums

* = pretrotācijas funkcija aizmugurē

** = pretrotācijas funkcija priekšpusē

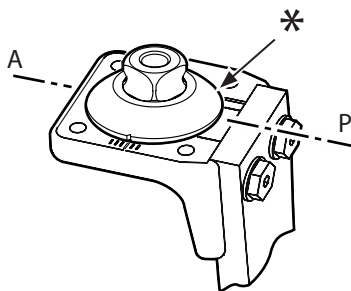
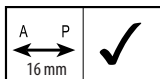
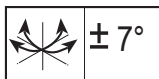
8.1 Dinamiskie piloni

239017



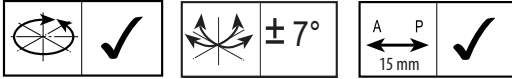
938306

239089



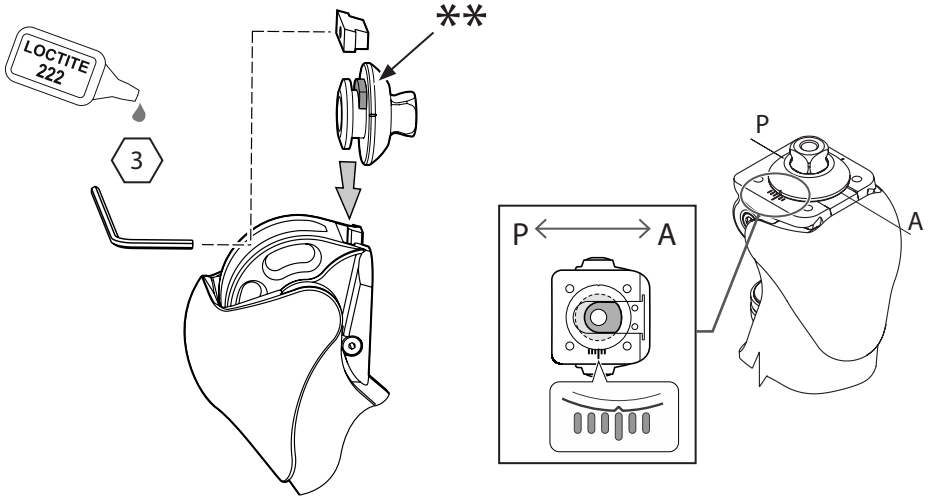
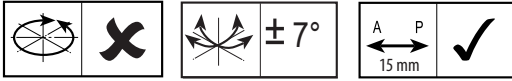
8.2 Mercury celis

239017



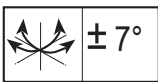
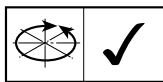
938251

239089



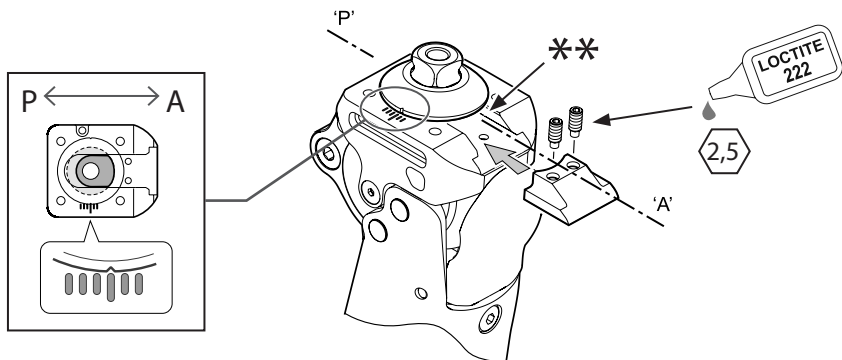
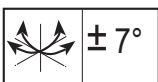
8.3 ESK+ 4 skrūvju šasija

239017



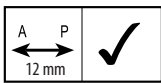
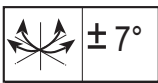
938205

239089



8.4 Linx, Orion3

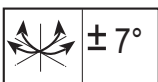
239017



Linx

938353

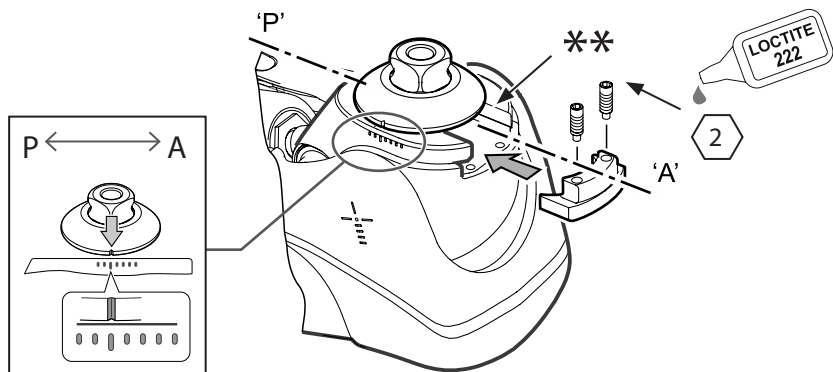
239089



Orion3

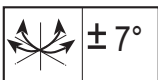
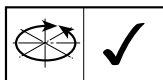


938374



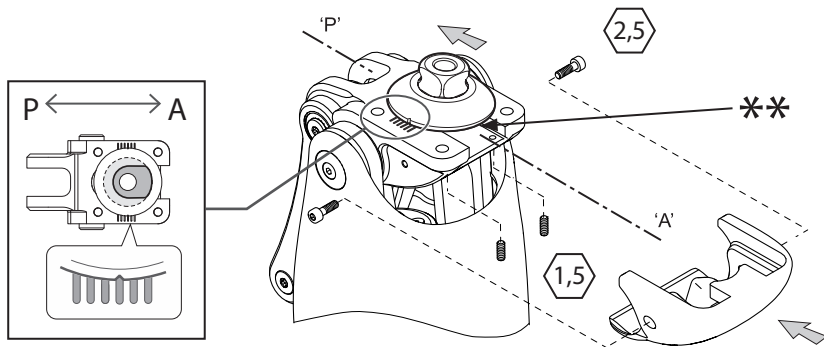
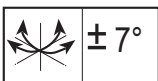
8.5 KX06V2/ KX07

239017



938409

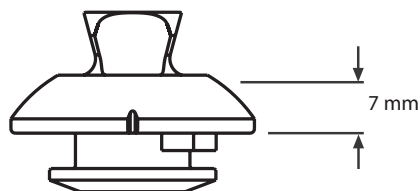
239089



9 Tehniskie dati

Darbības un uzglabāšanas temperatūras diapazons:	-15 °C līdz 50 °C
Komponenta svars:	50 g
Aktivitātes līmenis:	1.–4.
Maks. lietotāja ķermeņa masa:	166 kg
Konstrukcijas augstums:	7 mm

Uzstādīšanas garums



10 Pasūtīšanas informācija

Daļu numuri

239017 Spraudņa tipa piramīdas adapteris–rotējošs

239089 Spraudņa tipa piramīdas adapteris–nerotējošs

Atbildība

Ražotājs iesaka izmantot ierīci tikai noteiktos apstākļos un paredzētajiem mērķiem. Ierīces apkope ir jāveic saskaņā ar komplektācijā iekļauto lietošanas pamācību. Ražotājs nav atbildīgs par negatīviem rezultātiem, ko izraisa neatļautas komponentu kombinācijas.

CE atbilstība

Šis izstrādājums atbilst Eiropas Regulai ES 2017/745, kas attiecas uz medicīniskajām ierīcēm. Šis izstrādājums ir klasificēts kā I klases produkts saskaņā ar klasifikācijas kritērijiem, kas izklāstīti Regulas VIII pielikumā. ES atbilstības deklarācijas sertifikāts pieejams tīmekļa vietnē www.blatchford.co.uk.



Medicīniskā ierīce



Viens pacients — atkārtota lietošana

Saderība

Kombinācija ar Blatchford zīmola izstrādājumiem ir apstiprināta, pamatojoties uz testēšanu saskaņā ar attiecīgajiem standartiem un MDR, tostarp attiecībā uz konstrukcijas pārbaudi, izmēru saderību un uzraudzītu lauka veiktspēju.

Kombinēšana ar alternatīviem CE marķētiem izstrādājumiem jāveic, ņemot vērā dokumentētu vietējā riska novērtējumu, ko izpilda speciālists.

Garantija

Šai ierīcei ir piešķirta 24 mēnešu garantija.

Pēdas protēzes apvalka garantija ir 12 mēneši.

Slīdošās zeķes garantija ir 3 mēneši.

Šī garantija neattiecas uz nolietojamām detaļām, tostarp vakuuma caurulītēm, iekšējo filtru un vārstiem, ja vien kļūme nav notikusi materiālu vai ražošanas defektu dēļ.

Lietotājam ir jāapzinās, ka izmaiņas vai pārveidojumi, kas nav skaidri apstiprināti, var anulēt garantiju, darbības licences un izņēmumus.

Pilnīgu pašreizējo garantijas paziņojumu skatīt Blatchford tīmekļa vietnē.

Ziņošana par nopietniem negadījumiem

Ja rodas nopietns negadījums, kas saistīts ar šo ierīci un kas ir maz ticams, par to jāziņo ražotājam un valsts kompetentajai iestādei.

Vides aspekti

Šis izstrādājums ir izgatavots no poliuretāna, ko nav viegli pārstrādāt: lūdzu, atbrīvojieties no tā atbildīgi kā no vispārīgiem atkritumiem saskaņā ar vietējiem atkritumu apstrādes noteikumiem.

Ja iespējams, komponenti jāpārstrādā saskaņā ar vietējiem atkritumu apstrādes noteikumiem.

Iepakojuma etiķetes saglabāšana

Iesakām glabāt iepakojuma etiķeti atsaucei par piegādāto ierīci.

Paziņojumi par preču zīmēm

Avalon un Blatchford ir Blatchford Products Limited reģistrētās preču zīmes.

Ražotāja reģistrētā adrese

Blatchford Products Limited, Lister Road, Basingstoke RG22 4AH, Apvienotā Karaliste.

Turinys	106
1 Aprašas ir numatyta paskirtis.....	107
2 Saugos informacija	108
3 Konstrukcija.....	109
4 Veikimas.....	110
5 Priežiūra	110
6 Naudojimo apribojimai	111
7 Lygiavimas stende.....	111
7.1 Statinis lygiavimas	111
7.2 Dinaminis lygiavimas.....	111
8 Pritaikymo patarimai.....	112
8.1 Dinaminės atramos gaminiai	112
8.2 „Mercury“ kelio protezas	113
8.3 ESK+ 4 varžtų korpusas	114
8.4 Linx, Orion3	114
8.5 KX06V2 / KX07.....	115
9 Techniniai duomenys.....	116
10 Informacija apie užsakymą	116

1 Aprašas ir numatyta paskirtis

Jei nenurodyta kitaip, ši naudojimo instrukcija skirta gydytojui ir naudotojui.

Joje terminu *priemonė* vadinamas proksimalinės piramidės adapterio kompleksas.

Perskaitykite visą naudojimo instrukciją ir įsitikinkite, kad viską supratote, ypač visą saugos informaciją ir priežiūros instrukcijas.

Taikymas

Priemonė skirta naudoti tik kaip apatinės galūnės protezo dalis.

Priemonė patvirtinta naudoti su „Blatchford“ moduliniiais komponentais.

Skirta tik vienam naudotojui.

Mobilumo lygis

Priemonė tinka 1–4 mobilumo lygiams; taikomi svorio apribojimai, žr. 8 skyrių „*Techniniai duomenys*“. Žinoma, būna išimčių, todėl savo rekomendacijoje atsižvelgiame ir į galimas individualias naudojimo aplinkybes, tačiau visi sprendimai turi būti logiškai ir visapusiškai pagrįsti.

1 mobilumo lygis

Naudodamas protezą geba perkelti svorį nuo vienos kojos ant kitos arba eiti lygiu paviršiumi vienodu greičiu. Tipinis ambulatorinis ligonis, galintis vaikščioti su apribojimais arba be jų.

2 mobilumo lygis

Geba vaikščioti ir įveikti žemas aplinkos kliūtis, pvz., šaligatvio bortelius, laiptus arba nelygius paviršius. Tipinis ambulatorinis ligonis, galintis su apribojimais vaikščioti ne tik gyvenamojoje vietoje.

3 mobilumo lygis

Geba vaikščioti kintamu greičiu.

Tipinis ambulatorinis ligonis, kuris gali vaikščioti ne tik gyvenamojoje vietoje, geba įveikti daugumą aplinkos kliūčių ir gali užsiimti profesine, terapine arba mankštos veikla, dėl kurios protezas turi būti naudojamas intensyviau, nei atliekant įprastus judesius.

4 mobilumo lygis

Geba vaikščioti su protezu tokiu būdu, kuris viršija elementaraus vaikščiojimo įgūdžius, pasižymi stipriais smūgiais, įtempiais ir dideliu energijos kiekiu. Tipiniai vaikų, aktyvių suaugusiųjų arba sportininkų su protezu poreikiai.

Kontraindikacijos

- Skirta naudoti tik su „Blatchford“ priemonėmis.
- 239089 – negalima naudoti, jei reikia pasukti.
- Naudokite tik su tinkamai nukreiptu kupolu.

Klinikinė nauda

- Leidžia sujungti kelio protezą arba atramą su kitu protezo komponentu ir individualiai pritaikyti optimizavus lygiavimą.

2 Saugos informacija



Šiuo įspėjamoju simboliu pažymėta svarbi saugos informacija, kuria būtina atidžiai vadovautis.



Apie bet kokius priemonės veikimo arba funkcionavimo pakitimus, pvz., neįprastus garsus, būtina nedelsiant pranešti priežiūros specialistui.



Visada laikykitės už turėklų, kai leidžiatės laiptais žemyn ir kitais atvejais, kai turėklai įrengti.



Saugokite nuo itin didelio karščio ir (arba) šalčio.



Siekdami sumažinti susižalojimo riziką dėl varžtinių jungčių gedimo arba atsilaisvinimo, kaskart montuodami būtinai kruopščiai nuvalykite varžtų sriegį.



Priemonę galima ilgam panardinti į vandenį (tik gėlą). Priemonės naudojimas vandenyje turi atitikti sąlygas, nurodytas 6 skyriuje *Naudojimo apribojimai*.



Visada atminkite apie pirštų prispaudimo pavojų.



Priemonės surinkimo, priežiūros ir remonto darbus gali atlikti tik tinkamos kvalifikacijos gydytojas, išklauses patvirtintą mokymo kursą.



Naudotojui neleidžiama koreguoti ar savavališkai keisti priemonės sąrankos.



Naudotoją reikia informuoti, kad pajutus diskomfortą būtina susisiekti su gydytoju.



Varžtą visada užveržkite nurodytu sukimo momentu. Varžto niekada nekeiskite kitokiu varžtu. Visada naudokite nurodytą varžtą.

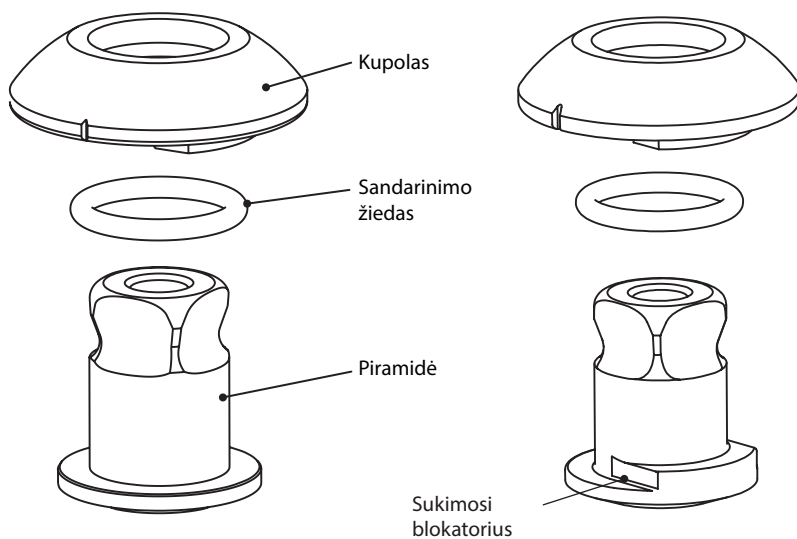


Vairuokite tik tinkamai pritaikytas transporto priemones. Valdydami motorines transporto priemones visi asmenys privalo laikytis atitinkamų vairavimą reglamentuojančių teisės aktų.

3 Konstrukcija

Pagrindinės dalys

- Piramidė
 - Kupolas
 - Sandarinimo žiedas
- Titanas
Aliuminis
Nitrilinis kaučiukas



239017

239089

4 Veikimas

Leidžia sujungti „Blatchford“ piramidės sistemą su „Blatchford“ komponentais su T formos grioveliu. Kai jungiama su „Blatchford“ T formos griovelį turinčiu komponentu, galima paslinkti P/U kryptimis ir pasukti.

Nesukamoji priemonės versija leidžia tik paslinkti.

5 Priežiūra

Priemonę reguliariai apžiūrėkite.

Apie bet kokius priemonės veikimo pakitimus praneškite gydytojui ir (arba) priežiūros specialistui.

Galimi veikimo pakitimai:

- Neįprasti garsai
- Bet koks laisvumas arba iškrypimas

Informuokite gydytoją ir (arba) priežiūros specialistą apie pasikeitusį kūno svorį ir (arba) mobilumo lygį.

Valymas

Drėgna šluoste ir švelniu muilu nuvalykite išorinius paviršius. Nenaudokite stiprių valiklių.

Kiti nurodymai šiame skyriuje skirti tik gydytojui.

Šiuos priežiūros darbus privalo atlikti tik kompetentingi darbuotojai (gydytojas arba tinkamos kvalifikacijos specialistas).

Bent kartą per metus atlikite šiuos reguliarios techninės priežiūros darbus:

- Patikrinkite, ar visi varžtai tvirtai užveržti. Jei taip nėra, visus varžtus išsukite, nuvalykite, sutepkite su „Loctite“ ir užveržkite tinkamu sukimo momentu.
- Patikrinkite, ar nėra matomų defektų, galinčių neleisti priemonei tinkamai veikti.

Naudotojas turi perskaityti ir suprasti saugos ir naudotojui skirtą priežiūros informaciją.

Informuokite naudotoją, kad rekomenduojama reguliariai apžiūrėti priemonę, o apie pastebėtus nusidėvėjimo požymius, būklės pablogėjimą arba koroziją, kurie gali turėti įtakos veikimui, reikia pranešti priežiūros specialistui.

Nurodykite naudotojui informuoti gydytoją ir (arba) priežiūros specialistą apie pasikeitusį kūno svorį ir (arba) mobilumo lygį.

6 Naudojimo apribojimai

Numatyta naudojimo trukmė

Reikia atlikti vietinį rizikos vertinimą ir įvertinti aktyvumą bei naudojimą.

Sunkių daiktų kėlimas

Leidžiamas naudotojo svoris ir aktyvumas priklauso nuo nurodytų ribų.

Galimybė naudotojui nešti sunkius daiktus turi būti pagrįsta vietiniu rizikos vertinimu.

Aplinka

Priemonė yra atspari vandeniui iki 1 metro gylyje.

Panaudoję aplinkoje, kurioje yra abrazyvinių medžiagų, pvz., smėlio ar žvyro, kruopščiai nuskalaukite gėlu vandeniu, kad išvengtumėte judamųjų dalių spartesnio dėvėjimosi arba pažeidimo.

Kruopščiai nuskalaukite panaudoję sūriame arba chlorintame vandenyje.



Tinkama panardinti

Naudokite tik nuo $-15\text{ }^{\circ}\text{C}$ iki $50\text{ }^{\circ}\text{C}$ temperatūroje.

7 Lygiavimas stende

Nurodymai šiame skyriuje skirti tik gydytojui.

7.1 Statinis lygiavimas

Sureguliuokite lygiavimą (P/U poslinkį ir posvyrį (ir pasukimą 239017) ir kartu su kitais jungiamais adapteriais tinkamai pritaikykite fleksiją, adukciją ir abdukciją. Naudotojas turi stovėti stabiliai, o kulnui ir pirštams turi tekti vienoda apkrova.

7.2 Dinaminis lygiavimas

Koronarinė plokštuma

Reguliuodami bigės ėmiklio ir pėdos protezo tarpusavio padėtį užtikrinkite, kad M/L postūmis būtų minimalus.

Sagitalinė plokštuma

Sureguliuokite protezo komponentų tarpusavio padėtį, kad būtų sklandžiai pereinama nuo kulno atrėmimo iki pirštų pakėlimo.

Pastaba... Naudotojas turi stovėti stabiliai, o kulnui ir pirštams turi tekti vienoda apkrova.

8 Pritaikymo patarimai

Nurodymai šiame skyriuje skirti tik gydytojui.

Venkite kraštinių lygiavimo padėčių.

Kad P/U poslinkio diapazonas būtų tinkamas, kupolas turi būti uždėtas tinkama puse ir tinkamai nukreiptas. Sukimosi blokatorius 239089 turi būti tinkamai sumontuotas.

Kad naudojant protezas neiškryptų, jungiamos piramidės lygiavimo varžtai turi būti tvirtai užveržti tinkamu sukimo momentu.

Nustatykite kuo arčiau konstrukcijos linijos; jei įmanoma, venkite kraštinių lygiavimo padėčių.

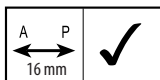
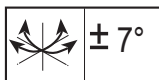
Tolesnių schemų legenda

* = Sukimosi blokatoriaus užpakalinė pusė

** = Sukimosi blokatoriaus priekinė pusė

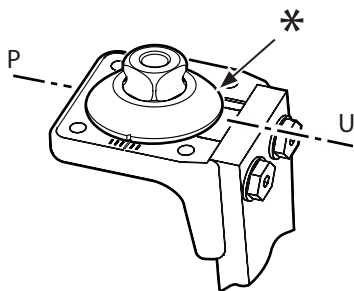
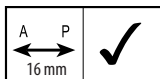
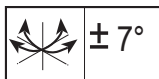
8.1 Dinaminės atramos gaminiai

239017



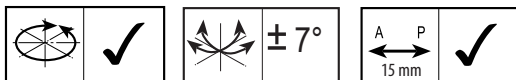
938306

239089

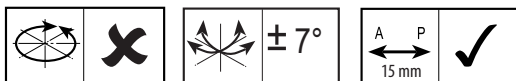


8.2 „Mercury“ kelio protezas

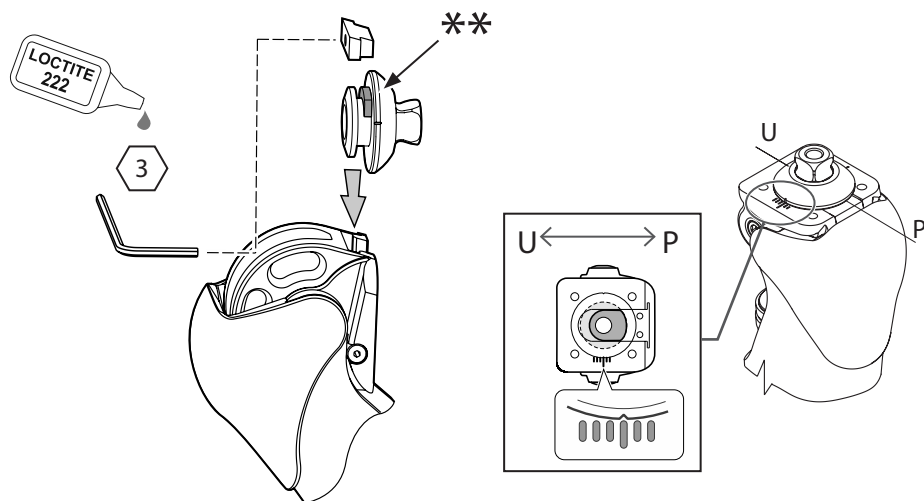
239017



239089

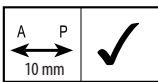
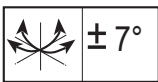
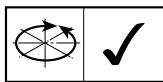


938251



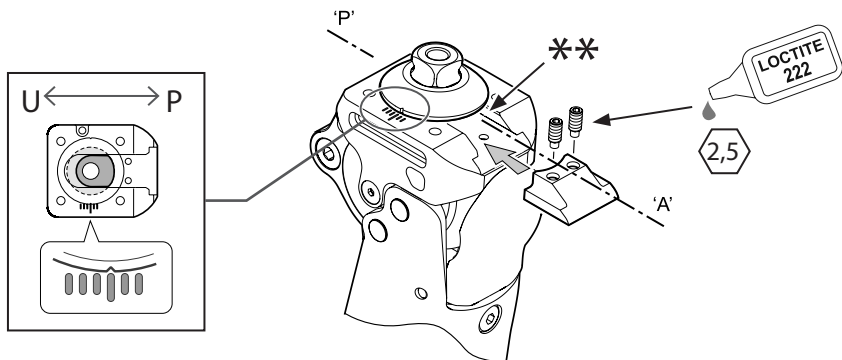
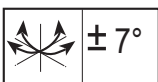
8.3 ESK+ 4 varžtų korpusas

239017



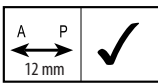
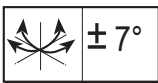
938205

239089



8.4 Linx, Orion3

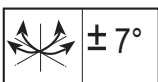
239017



Linx

938353

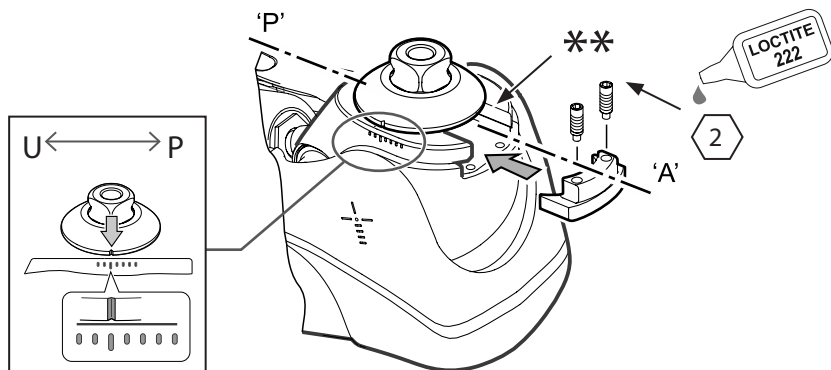
239089



Orion3

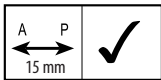
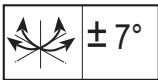
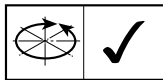


938374



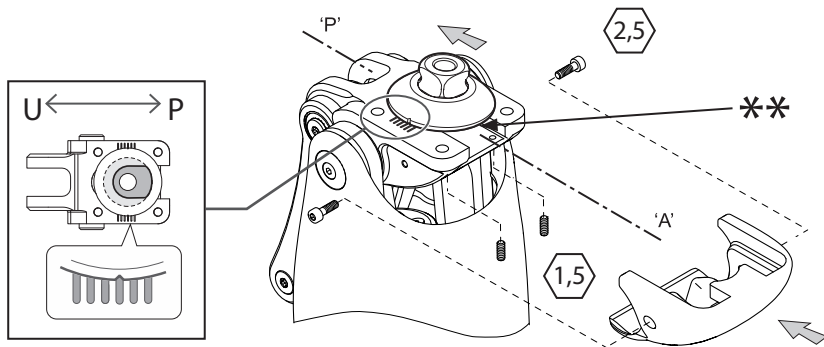
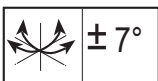
8.5 KX06V2 / KX07

239017



938409

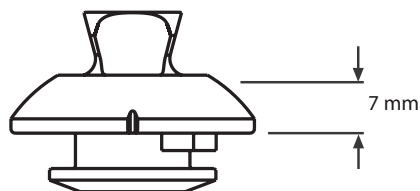
239089



9 Techniniai duomenys

Darbinės ir laikymo temperatūros diapazonas	nuo -15 °C iki 50 °C
Komponento svoris	50 g
Mobilumo lygis	1–4
Didžiausias naudotojo svoris	166 kg
Konstrukcijos linijos aukštis	7 mm

Derinimo ilgis



10 Informacija apie užsakymą

Dalių numeriai

239017 Įkišamosios piramidės adapteris – sukamasis

239089 Įkišamosios piramidės adapteris – nesukamasis

Atsakomybė

Gamintojas rekomenduoja naudoti priemonę tik nurodytomis sąlygomis ir numatytais tikslais. Priemonę būtina prižiūrėti vadovaujantis kartu su ja pateikta naudojimo instrukcija. Gamintojas neatsako už jokiais neigiamas pasekmes, kurias sukėlė gamintojo nepatvirtinti komponentų deriniai.

CE atitiktis

Šis gaminys atitinka Europos reglamento (ES) 2017/745 dėl medicinos priemonių reikalavimus. Vadovaujantis klasifikavimo taisyklėmis, nurodytomis reglamento VIII priede, šis gaminys priskiriamas I klasės priemonėms. ES atitikties deklaraciją galima atsisiųsti šioje svetainėje: www.blatchford.co.uk.



Medicinos priemonė



Vienas pacientas – daugkartinis naudojimas

Suderinamumas

Derinimas su „Blatchford“ gaminiais patvirtintas remiantis bandymais, įskaitant konstrukcijos bandymą, atliktais pagal susijusius standartus ir Medicinos priemonių reglamentą (MPR), matmenų suderinamumu ir stebimomis eksploatacinėmis savybėmis.

Derinti su alternatyviais CE ženklų pažymėtais gaminiais galima atsižvelgiant į gydytojo atliktą dokumentuotą vietinį rizikos vertinimą.

Garantija

Priemonei suteikiama 24 mėnesių garantija.

Pėdos protezo apvalkalui suteikiama 12 mėnesių garantija.

Įstūmimo kojinei suteikiama 3 mėnesių garantija.

Ši garantija netaikoma eksploatacinėms dalims, įskaitant vakuuminį vamzdelį, linijinį filtrą ir vožtuvus, nebent gedimas įvyko dėl medžiagų arba gamybos broko.

Naudotojas turi žinoti, kad dėl pakeitimų ar modifikacijų, kurie nėra aiškiai patvirtinti, gali būti panaikinta garantija, naudojimo licencijos ir išimtytys.

Dabartinį visą garantijos pareiškimą žr. „Blatchford“ svetainėje.

Pranešimas apie rimtus incidentus

Jei mažai tikėtiniu atveju įvyktų rimtas incidentas, susijęs su šia priemone, apie jį reikia pranešti gamintojui ir kompetentingai nacionalinei institucijai.

Su aplinkosauga susiję aspektai

Šis gaminys pagamintas iš poliuretano, kurio negalima lengvai perdirbti: išmeskite atsakingai kaip įprastas atliekas pagal vietos atliekų tvarkymo reglamentus.

Kai įmanoma, komponentus reikia atiduoti perdirbti pagal vietos atliekų tvarkymo reglamentus.

Pakuotės etiketės išsaugojimas

Išsaugokite pakuotės etiketę kaip pateiktos priemonės įrodymą.

Prekių ženklų patvirtinimo informacija

„Avalon“ ir „Blatchford“ yra „Blatchford Products Limited“ registruotieji prekių ženklai.

Registruotas gamintojo adresas

Blatchford Products Limited, Lister Road, Basingstoke RG22 4AH, UK.

Sisukord	119
1 Kirjeldus ja kasutusotstarve	120
2 Ohutusteave.....	121
3 Konstruksioon	122
4 Otstarve	123
5 Hooldus.....	123
6 Kasutuspiirangud.....	124
7 Joondumuse eelseadistamine rakises	124
7.1 Staatiline joondumus	124
7.2 Dünaamiline joondumus	124
8 Sobitamisinõuanded.....	125
8.1 Dünaamilise pülooni tooted	125
8.2 Mercury põlv.....	126
8.3 4-poldilise liidesega pealisosaga ESK+.....	127
8.4 Linx, Orion3	127
8.5 KX06V2/KX07	128
9 Tehnilised andmed	129
10 Tellimisteave.....	129

1 Kirjeldus ja kasutusotstarve

Kui pole öeldud teisiti, on käesolev kasutusjuhend mõeldud proteesimeistrile ja kasutajale. Termin *seade* viitab käesolevas kasutusjuhendis proksimaalse püramiidiadapteri komplektile. Lugege kasutusjuhend tervenisti läbi ja tehke see endale selgeks. Pöörake erilist tähelepanu ohutusteabele ja hooldusjuhistele.

Kasutamine

Seade on mõeldud kasutamiseks üksnes osana alajäsemeproteesist.

Seadet on lubatud kasutada Blatchfordi modulaarsete komponentidega.

Ette nähtud kasutamiseks ainult ühel patsiendil.

Aktiivsusgrupp

Seade sobib aktiivsusgruppidele 1–4; järgida tuleb kehakaalu piiranguid, vt *Tehnilised andmed* jaotises 8. Loomulikult on erandeid ja hoolimata meie soovitudest tuleb alati kaaluda iga konkreetse olukorra individuaalseid asjaolusid, kuid iga otsuse taga peab olema selge ja ammendav põhjendus.

Aktiivsusgrupp 1

Patsient on suuteline või võimeline kasutama proteesi liikumiseks või kõndimiseks tasasel pinnal muutumatu kõnnikiirusega. Iseloomustab patsienti, kes suudab kõndida vaid lühikeste sammudega või aeglase kõnnikiirusega.

Aktiivsusgrupp 2

Patsient on võimeline või potentsiaalselt võimeline kõndima ning iseseisvalt ületama madalamaid igapäevasest keskkonnast tulenevaid takistusi (äärekivid, trepid või ebatasased pinnad). Iseloomustab patsienti, kes suudab kõndida lühiajaliselt kiirema tempoga.

Aktiivsusgrupp 3

Patsient on suuteline või võimeline kõndima muutuva kõnnikiirusega.

Iseloomustab patsienti, kes on suuteline kõndima ka kiire kõnnikiirusega, ületama enamikku igapäevasest keskkonnast tulenevatest takistustest ning võib tegeleda kutse-, teraapia- või treeningtegevustega, mis seavad proteesile lihtsalt liikumise abistamisest suuremad nõudmised.

Aktiivsusgrupp 4

Patsient on suuteline või võimeline kõndima proteesiga viisil, mis ületab elementaarseid kõndimisoskusi ning nõuab suuremat lõõgi- või pingetaluvust või energiataset. Iseloomustab lapse, aktiivse täiskasvanu või sportlase proteetilisi vajadusi.

Vastunäidustused

- Kasutamiseks ainult koos Blatchfordi seadmetega.
- 239089 – ei sobi kasutamiseks, kui on tarvis kohandada pöördenurka.
- Kuppel peab olema kasutamisel alati õige orientatsiooniga.

Kliiniline kasu

- Toimib ühenduslülina proteesi põlveosa või pülooni ja mõne teise proteesikomponendi vahel ning võimaldab joendumust kohandada.

2 Ohutusteave



Selle hoiatussümboliga on esile tõstetud oluline ohutusteave, mida tuleb hoolikalt järgida.



Kui seadme omadused või talitlus peaks muutuma (nt ebatavalised helid), tuleks sellest viivitamata teenusepakkujale teada anda.



Trepist alla kõndides hoidke kinni käsipuust (ja alati ka muudel juhtudel, kui see on olemas).



Vältige kokkupuudet eriti kõrge ja/või madala temperatuuriga.



Kruviliidete purunemisest või lödvenemisest põhjustatud kehavigastuste ohu vähendamiseks puhastage kindlasti enne iga kruvi paigaldamist keermeid.



Seade talub pikaajalist vettekastmist ning seda võib kasta ainult magevette. Seadme vees kasutamisel järgige kindlasti tingimusi, mis on toodud jaotises 6 *Kasutuspiirangud*.



Olge alati teadlik sõrmede muljumise ohust.



Seadme kokkupaneku, hooldamise ja parandamisega seotud töid tohib teha ainult asjakohase kvalifikatsiooniga proteesimeister, kes on läbinud heakskiidetud koolituskursuse.



Kasutaja ei tohi seadme seadistust ise reguleerida ega muuta.



Kui kasutaja seisund muutub, peaks ta sellest viivitamatult proteesimeistrile teada andma.



Pingutage polt alati nõuetekohase pingutusmomendiga. Ärge asendage polti kunagi mõne teise poldiga. Kasutage alati nõuetekohast polti.

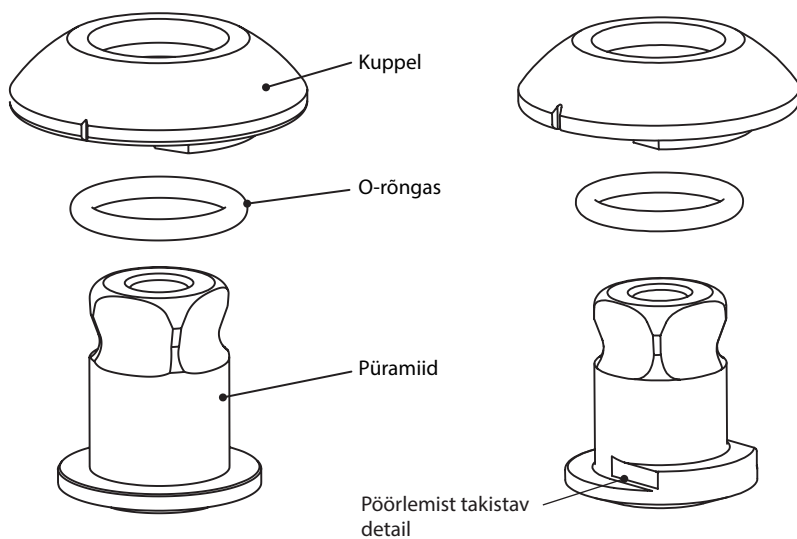


Sõiduki juhtimisel peab sõidukile olema paigaldatud asjaomane invavarustus. Iga mootorsõiduki juht on kohustatud järgima talle kehtivat liiklusseadust.

3 Konstruksioon

Peamised osad

- Püramiid
 - Kuppel
 - O-rõngas
- Titaan
Alumiinium
Nitriilkummi



239017

239089

4 Otstarve

Toimib ühendusülina Blatchfordi püramiidsüsteemi ja Blatchfordi T-soonega komponentide vahel.

Võimaldab A–P-nihet ning pöördnurga kohandamist, kui kasutada koos Blatchfordi T-soonega.

Seadme mittepöörlev versioon võimaldab ainult komponentide nihutamist.

5 Hooldus

Seadet tuleb regulaarselt visuaalselt kontrollida.

Teatage kõigist seadme omaduste muutustest proteesimeistrile/teenusepakkujale.

Sellised omaduste muutused võivad olla näiteks järgmised.

- Igasugused ebatavalised helid
- Igasugune lõtk või joondumuse muutumine

Teavitage proteesimeistrit/teenusepakkujat igasugusest kehakaalu ja/või aktiivsusgrupi muutusest.

Puhastamine

Kasutage välispindade puhastamiseks niisket lappi ja pehmetoimelist seepi. Ärge kasutage tugevatoimelisi puhastusvahendeid.

Käesoleva jaotise ülejäänud juhised on mõeldud ainult proteesimeistrile.

Neid hooldustöid võib teha ainult pädev spetsialist (proteesimeister või asjakohase väljaõppega tehnik).

Järgmised korralise hoolduse toimingud tuleb teha vähemalt kord aastas.

- Veenduge, et kõik kruvid on korralikult kinni keeratud. Kui mitte, eemaldage ja puhastage, kandke neile Loctite'i ja pingutage kõik kruvid nõuetekohase momendiga.
- Kontrollige visuaalselt talitlust mõjutavate defektide suhtes.

Veenduge, et kasutaja oleks ohutusalase ja kasutajale suunatud hooldusteabe täielikult läbi lugenud ning endale selgeks teinud.

Soovitage kasutajal seadet regulaarselt visuaalselt kontrollida ning teenusepakkujat teavitada, kui ta märkab kulumisjälgi, kahjustusi või korrosiooni, mis võivad mõjutada seadme talitlust.

Soovitage kasutajal teavitada proteesimeistrit/teenusepakkujat igasugusest kehakaalu ja/või aktiivsusgrupi muutusest.

6 Kasutuspiirangud

Kavandatud kasutisiga

Koostada tuleks kohalik riskianalüüs, mis arvestab aktiivsust ja kasutust.

Raskuste tõstmine

Kasutaja kehakaal ja aktiivsus peab jääma nimetatud piiridesse.

Kasutajale lubatud raskuste tõstmise piirid peaksid põhinema kohalikul riskianalüüsil.

Keskkond

Seade on veekindel kuni 1 m sügavusel.

Abrasiivses (nt liiva või kruusa sisaldavas) keskkonnas kasutamise järel loputage põhjalikult puhta veega, et vältida liikuvate osade kulumist või kahjustamist.

Loputage põhjalikult puhta veega pärast kasutamist mere- või kloorivees.



Lubatud vette kasta

Kasutamiseks üksnes vahemikus $-15\text{ }^{\circ}\text{C}$ kuni $50\text{ }^{\circ}\text{C}$.

7 Joondumuse eelseadistamine rakises

Käesoleva jaotise juhised on mõeldud ainult proteesimeistrile.

7.1 Staatileine joondumus

Kohandage liidesadapterite abil joondumust (A–P-nihe ja kalle (ning pöörlemine mudeli 239017 puhul)), et fleksioon, aduktsioon ja abduktsioon oleksid sobivaks reguleeritud. Veenduge, et kasutaja saab seista stabiilses asendis, nii et kann- ja varbaosa on ühtlaselt koormatud.

7.2 Dünaamiline joondumus

Koronaaltasapind

Kohandage hülsi ja jalalaba suhtelist asendit tagamaks, et M–L-jõud on minimaalsed.

Sagitaaltasapind

Kohandage proteesisüsteemi komponentide suhtelisi asendeid, et saavutada sujuv ja stabiilne üleminek kannalöögist hooperioodi algfaasini.

Märkus... Veenduge, et kasutaja saab seista stabiilses asendis, nii et kann- ja varbaosa on ühtlaselt koormatud.

8 Sobitamiskoht

Käesoleva jaotise juhised on mõeldud ainult proteesimeistrile.

Vältige äärmuslikke seadistusi.

Õige A–P-nihke suuna tagamiseks veenduge, et kuppel on paigaldatud õigesti ja õige orientatsiooniga. Veenduge, et 239089 pöörlemist takistav detail on õigesti paigutatud.

Joondumuse muutmise vältimiseks veenduge, et püramiidliidese seadistuskruvid on nõuetekohaselt pingutatud.

Paigutage gravitatsioonijoonele võimalikult lähedale ja võimalusel vältige äärmuslikke seadistusi.

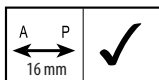
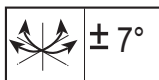
Illustratsioonide võti

* = pöörlemist takistav detail posterioorselt

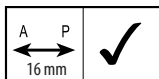
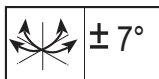
** = pöörlemist takistav detail anterioorselt

8.1 Dünaamilise pülooni tooted

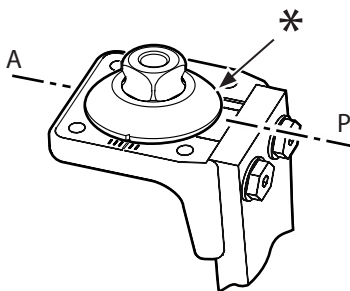
239017



239089

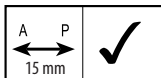
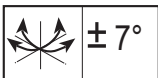
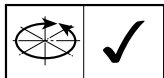


938306



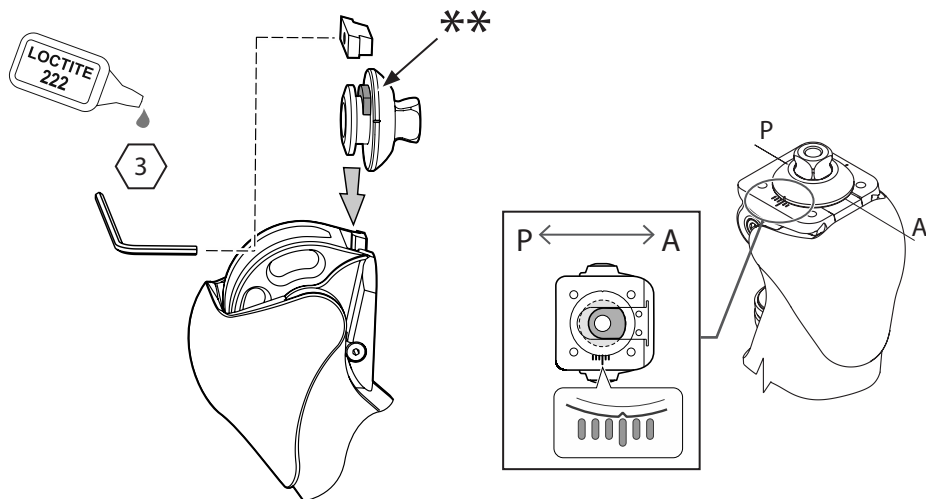
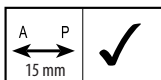
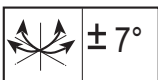
8.2 Mercury pölv

239017



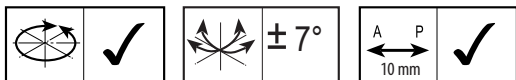
938251

239089



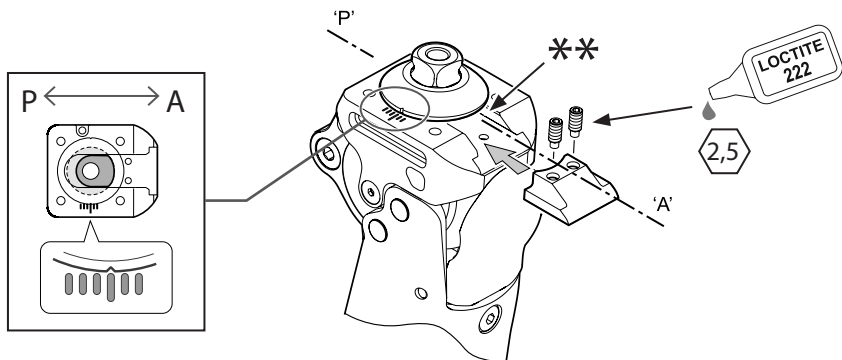
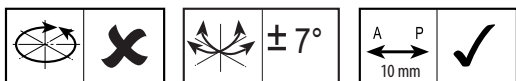
8.3 4-poldilise liidesega pealisosaga ESK+

239017



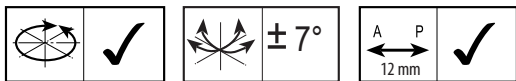
938205

239089



8.4 Linx, Orion3

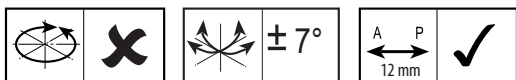
239017



Linx

938353

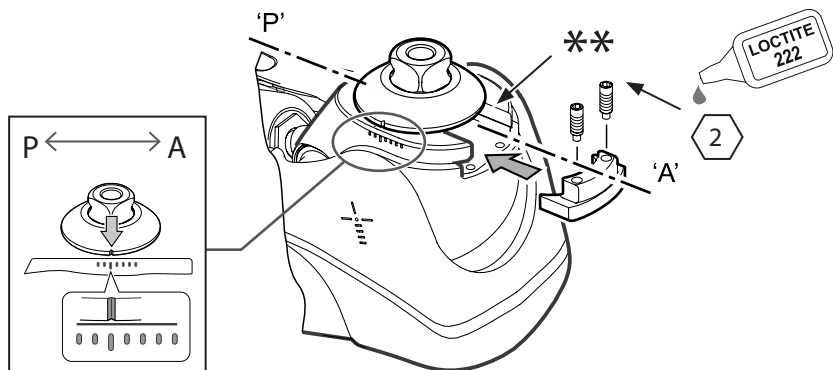
239089



Orion3

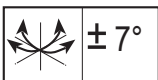
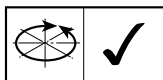


938374



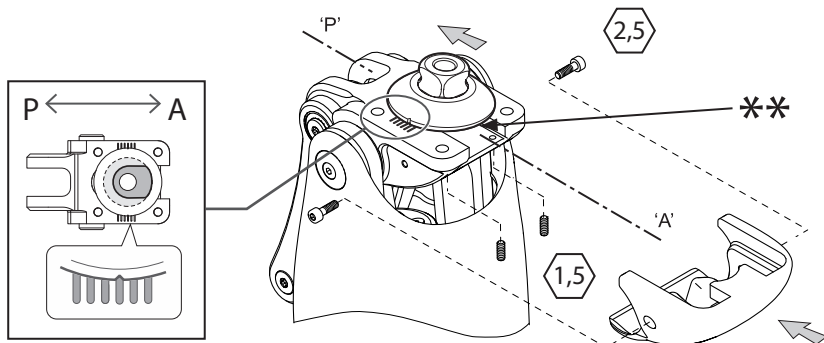
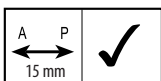
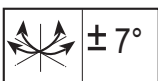
8.5 KX06V2/KX07

239017



938409

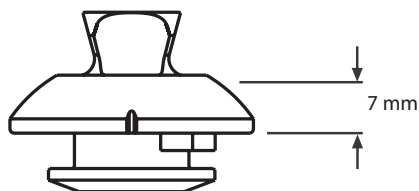
239089



9 Tehnilised andmed

Kasutamise- ja hoiustamistemperatuur:	-15 °C kuni 50 °C
Komponendi mass:	50 g
Aktiivsusgrupp:	1–4
Kasutaja max kehakaal:	166 kg
Konstruksiooni kõrgus:	7 mm

Sobituspikkus



10 Tellimisteave

Tootekoodid

239017 Pistikpüramiidadapter – pöörlev

239089 Pistikpüramiidadapter – mittepöörlev

Vastutus

Tootja soovib kasutada seadet üksnes nimetatud tingimustes ja kasutusotstarbel. Seadet tuleb hooldada kooskõlas seadme komplektis oleva kasutusjuhendiga. Tootja ei vastuta mingisuguste kõrvaltoimete eest, mis on põhjustatud komponentide kombinatsioonist, mida tootja pole heaks kiitnud.

CE-vastavus

Toode on kooskõlas Euroopa meditsiiniseadmete määruse EL 2017/745 nõuetega. Toode on liigitatud I klassi seadmeks vastavalt määruse VIII lisas toodud liigitamisreeglitele. Euroopa Liidu vastavusdeklaratsiooni saate alla laadida järgmiselt aadressilt: www.blatchford.co.uk.



Meditsiiniseade



Üks patsient – mitu kasutuskorda

Ühilduvus

Kasutamine koos Blatchfordi toodetega on heaks kiidetud, tuginedes kooskõlas asjaomaste standardite ja meditsiiniseadmete direktiiviga tehtud katsetele (sh konstruktsioonikatse, mõõtmete ühilduvus ja toimivuse jälgimine praktikas).

Kasutamine koos mõne teise CE-märgisega tootega nõuab eelnevat dokumenteeritud kohalikku riskianalüüsi proteesimeistri poolt.

Garantii

Seadmel on 24-kuuline garantii.

Jalalabaümbrise garantiiäeg on 12 kuud.

Hästilibiseva soki garantiiäeg on 3 kuud.

See garantii ei kehti kulutarvikutele, sh vaakumivoolikule, liinisesele filtrile ja klappidele, välja arvatud materjali- või tootmisdefekti korral.

Kasutaja peab olema teadlik sellest, et muudatused või täiendused, milleks pole saadud selgesõnalist luba, võivad garantii, kasutusload ja vabastused kehtetuks muuta.

Kõiki kehtivaid garantiitingimusi vt Blatchfordi veebisaidilt.

Ohujuhtumitest teatamine

Seadmega seotud ohujuhtumitest, mis on äärmiselt ebatõenäolised, tuleks teavitada tootjat ja oma riigi pädevat asutust.

Keskkonnaaspektid

Toode on valmistatud polüuretaanist, mida ei ole võimalik hõlpsalt ringlusse võtta. Kõrvaldage see vastutustundlikult üldjäätmetena kooskõlas kohalike jäätmekäitluseeskirjadega.

Kui võimalik, tuleks komponendid kooskõlas kohalike jäätmekäitluseeskirjadega ringlusse võtta.

Pakendi etiketi säilitamine

Teil soovitatakse pakendi etikett alles hoida ning seda säilitada selle seadme tarnimise dokumendina.

Kaubamärgid

Avalon ja Blatchford on ettevõtte Blatchford Products Limited registreeritud kaubamärgid.

Tootja registriaadress

Blatchford Products Limited, Lister Road, Basingstoke RG22 4AH, Ühendkuningriik.

blatchford.co.uk/distributors

Blatchford Products Ltd.

Unit D Antura
Kingsland Business Park
Basingstoke
RG24 8PZ
UNITED KINGDOM
Tel: +44 (0) 1256 316600
Fax: +44 (0) 1256 316710
Email: customer.service@blatchford.co.uk
www.blatchford.co.uk

Blatchford Inc.

1031 Byers Road
Miamisburg
Ohio 45342
USA
Tel: +1 (0) 800 548 3534
Fax: +1 (0) 800 929 3636
Email: info@blatchfordus.com
www.blatchfordus.com

Blatchford Europe GmbH

Am Prime-Parc 4
65479 Raunheim
GERMANY
Tel: +49 (0) 9221 87808 0
Fax: +49 (0) 9221/87808 60
Email: info@blatchford.de
www.blatchford.de

Email: contact@blatchford.fr
www.blatchford.fr

Endolite India Ltd.

A4 Naraina Industrial Area
Phase - 1
New Delhi
INDIA – 110028
Tel: +91 (011) 45689955
Fax: +91 (011) 25891543
Email: endolite@vsnl.com
www.endoliteindia.com

Ortopro AS

Hardangervegen 72
Seksjon 17
5224 Nesttun
NORWAY
Tel: +47 (0) 55 91 88 60
Email: post@ortopro.no
www.ortopro.no



Blatchford Europe GmbH
Am Prime-Parc 4
65479 Raunheim Germany

