

Linx:

A walking experience
closer to nature

WITH

PRT[®]

Performance Response Technology[®]



Lower Limb
Prosthetic Catalogue

Issue 21.3

Blatchford



Orion³

Now Water Resistant

**TAKE
ON
EVERDAY
LIFE**

Contents

Introduction	4
Activity Level Guide	5-7
Integrated Limb System	8-9
Knees	12-31
Feet and Ankles	32-75
Junior	76-85
Controls	86-89
Adapters	90-105
Kits	106-115
Liners	116-123
Cosmesis	124-129
Socket Technology	130-131
Warranty Information	132
Global Warranty Statement	133

Corporate Overview

Blatchford is a multi-award winning manufacturer of some of the world's most advanced prosthetic technology. We combine clinical expertise and pioneering innovation to redefine mobility and our evidence-based approach prioritises the wellbeing and long-term health of users.

Founded in 1890, we have a long history of firsts and continue to be widely recognised for our commitment to innovation in the industry.

We are proud to have created the very first commercially available hydraulic ankle, the first microprocessor-controlled hydraulic ankle and the world's first fully integrated limb system. Our pioneering technology has also been the recipient of many prestigious awards including the Queen's Award, the MacRobert Award, the German Design Award and the Medical Design Excellence Award.

Our holistic approach to product design, centres around the whole person and not just their mobility limitation. This ensures we develop solutions that not only help people to get the most out of every day, but to do so in a way that cares for their long-term health and wellbeing. Through extensive collaboration, we also work to provide evidence and inform best practice in the industry to give healthcare providers the confidence to prescribe and find solutions that deliver results.



Activity Levels

Prescription Activity Level Guide



Has the ability or potential to use a prosthesis for transfers or ambulation on level surfaces at fixed cadence. Typical of the limited and unlimited household ambulator.



Has the ability or potential for ambulation with the ability to traverse low level environmental barriers such as curbs, stairs, or uneven surfaces. Typical of the limited community ambulator.



Has the ability or potential for ambulation with variable cadence. Typical of the community ambulator who has the ability to traverse most environmental barriers and may have vocational, therapeutic, or exercise activity that demands prosthetic utilization beyond simple locomotion.



Has the ability or potential for prosthetic ambulation that exceeds basic ambulation skills, exhibiting high impact, stress, or energy levels. Typical of the prosthetic demands of the child, active adult, or athlete.

Prescription Impact Level Guide

- | | |
|-----------------|---|
| Low | Daily walking and occasional sports such as golf and hiking |
| Moderate | Aggressive walking, frequent or daily sports such as jogging |
| High | Daily activities such as distance running, climbing, lifting and carrying heavy objects for vocational purposes |

Notes

1. The maximum user weight/activity guidelines provided on our catalogue product pages and Clinician's Manuals give the ideal functional prescription, this may vary by region or reimbursement system. Our instructions for use provide structural safety levels which may differ.
2. The weight limit on the complete prosthesis is determined by its lowest rated component.
3. The weight limit applies to all products unless stated otherwise.
4. Before assembly always refer to the appropriate technical information.
5. See Blatchford website for latest product information.

Activity Levels

Product	Level 1	Level 2	Level 3	Level 4
---------	---------	---------	---------	---------

Integrated Limb System				
Linx				

Product	Level 1	Level 2	Level 3	Level 4
---------	---------	---------	---------	---------

Microprocessor Knees				
Orion ³				
Smart IP				

Hydraulic Knees				
-----------------	--	--	--	--

KX06				
Mercury				

Locking and Free Option Knees				
-------------------------------	--	--	--	--

ESK ⁺				
ESK ⁺ MKL				
BMK2				
Compact SAKL				
Aqualimb ^{TF}				

Product	Level 1	Level 2	Level 3	Level 4
---------	---------	---------	---------	---------

Junior				
Mini Blade ^{XT}				
Child's 4-bar Knee				

Activity Levels

Product	Level 1	Level 2	Level 3	Level 4
---------	---------	---------	---------	---------

Feet With Dynamic Foot Springs				
Elan				
Elan ^{IC}				
Echelon ^{VAC}				
Echelon ^{VT}				
Echelon				
Echelon ^{ER}				
Elite ²				
Elite ^{VT}				
Epirus				
Esprit				
Elite Blade				
Elite Blade ^{VT}				
Blade ^{XT}				
Javelin				

Feet With Resilient/Cushioned Ankle Function				
--	--	--	--	--

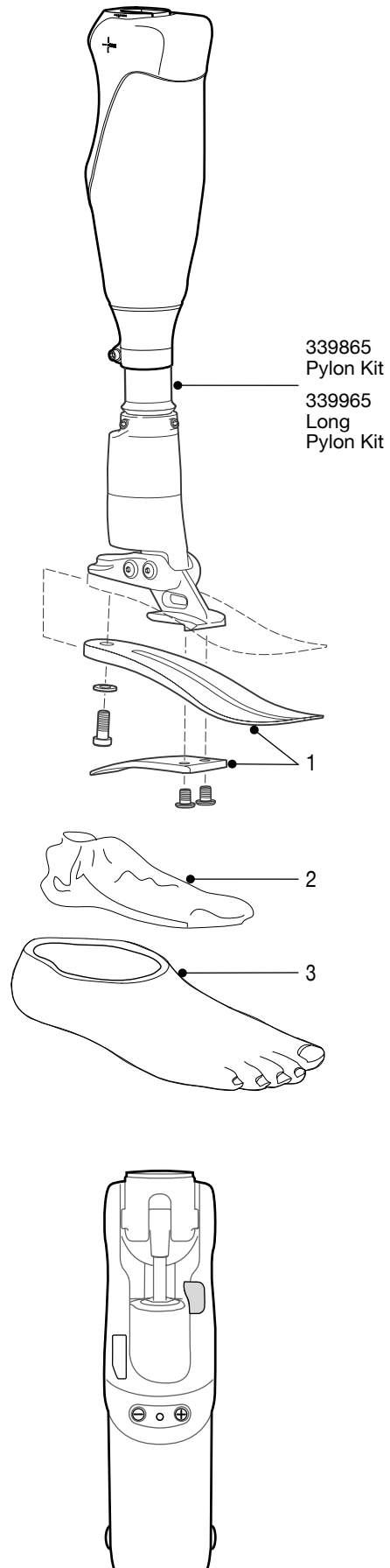
Avalon ^{K2}				
AvalonK2 ^{VAC}				
Navigator				
Multiflex <small>Standard/Slim</small>				
SuperSACH				
Aqualimb ^{TT}				



Integrated Limb System



Linx Schematics



1 Spring Kits:

Foot Size	Foot Size	Foot Size	Foot Size
22-24	25-26	27-28	29-30
Set 1 - 539801S	Set 1 - 539810S	Set 1 - 539819S	Set 1 - 539828S
Set 2 - 539802S	Set 2 - 539811S	Set 2 - 539820S	Set 2 - 539829S
Set 3 - 539803S	Set 3 - 539812S	Set 3 - 539821S	Set 3 - 539830S
Set 4 - 539804S	Set 4 - 539813S	Set 4 - 539822S	Set 4 - 539831S
Set 5 - 539805S	Set 5 - 539814S	Set 5 - 539823S	Set 5 - 539832S
Set 6 - 539806S	Set 6 - 539815S	Set 6 - 539824S	Set 6 - 539833S
Set 7 - 539807S	Set 7 - 539816S	Set 7 - 539825S	Set 7 - 539834S
Set 8 - 539808S	Set 8 - 539817S	Set 8 - 539826S	Set 8 - 539835S

2 Glide Sock: 22-26 - 531011, 27-30 - 532811

3 Foot shells:*

Foot size Left/Right	Narrow	Wide
22L	539038S	-
22R	539039S	-
23L	539040S	-
23R	539041S	-
24L	539042S	-
24R	539043S	-
25L	539044SN	539044SW
25R	539045SN	539045SW
26L	539046SN	539046SW
26R	539047SN	539047SW
27L	539048SN	539048SW
27R	539049SN	539049SW
28L	539050SN	539050SW
28R	539051SN	539051SW
29L	-	539052S
29R	-	539053S
30L	-	539054S
30R	-	539055S

*For dark tone add suffix D

Pylon Kit	339865
Pylon cutting jig	941257
Battery charger kit	239093V2A
Aus adaptor	950164
UK adaptor	950136
Euro adaptor	950137
US adaptor	950138
Shin extension cable	239090
Socket screwdriver 4mm	940271
Socket Hex 5mm AF	940266
Clinician's Manual	938353V2A
Cosmetic Cover	561101BLACK
Blatchford Large Limb bag	936267

Proximal Attachments

Rotating Pyramid with Shift	239017		7mm
Non-rotating Pyramid with Shift	239089		7mm
Rotating Female Pyramid with Shift	189128		28mm
M36 Threaded Adapter	239092		14mm

Fully integrated, microprocessor controlled lower limb system for above knee amputees.

Linx

Features

- **Situational Awareness** - Integrated sensors continuously collect data to seamlessly adapt the limb's response
- **Key Features** - New and Improved
 - Ramp Ascent Assist Mode
 - Heel Rise Damping
 - Stair Descent Recognition
 - Stance Flexion
 - Stumble Recovery
 - Standing Support
- Training Mode, Cycling Mode and Flexion Lock Mode
- Knee Flexion to 130°
- Intuitive Programming Software via iOS or Android App
- Up to 3 days battery life
- Sandal Toe Foot Shell
- Cosmetic Cover

Specifications

Max. User Weight:	125kg
Activity Level:	(2), 3, (4*)
Size Range:	22 to 30
Component Weight:	2.6kg†
Build Height:	470mm to 565mm
Heel Height:	10mm

*Maximum user weight 100kg



Order Example

Product Code	Size	Side	Width*	Spring Set	Sandal Toe
LINX	25	L	N	3	S

*Narrow (N) and Wide (W) available for sizes 25-28 only. For dark tone add suffix D. Example: foot size 25, left, narrow, spring rating 3, sandal toe.

Accessories

Long Pylon Kit	339965
Alignment Wedge	940093
Magnetic Charger Kit	239093V2A
Magnetic Charger Cover	236554

Socket Adapters

P409049

Activity Level 3 has the ability or potential for ambulation with variable cadence. Typical of the community ambulator who has the ability to traverse most environmental barriers and may have vocational, therapeutic, or exercise activity that demands prosthetic utilization beyond simple locomotion. Activity level 2 and 4* users will require softer or stiffer springs as appropriate for the individual user rather than as shown in the spring selection guide.

Activity	User Weight							
	44-52	53-59	60-68	69-77	78-88	89-100	101-116	117-125
3	1	2	3	4	5	6	7	8

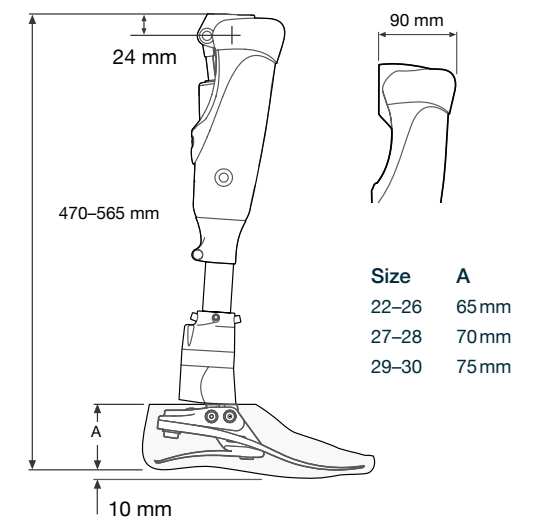
kg
100-115 116-130 131-150 151-170 171-195 196-220 221-255 256-275 lbs

Spring set

†Max user weight 100kg and always use one higher spring rate.
*Component weight shown is for a size 26cm without foot shell.



Build Height



Build part numbers are for assembly guidance only and may not be for sale separately.

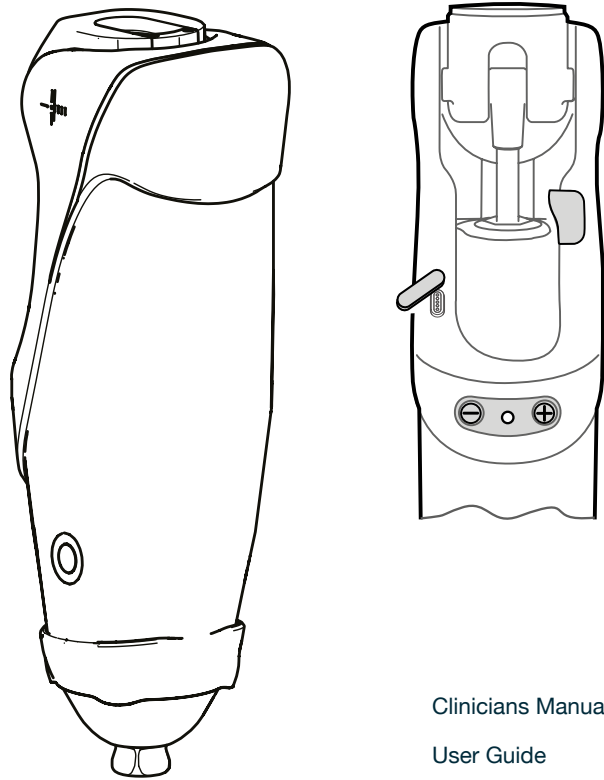




Knees



Orion³ Schematics



Clinicians Manual 938374B
User Guide 938375B



Water resistant, Microprocessor controlled hydraulic knee with intelligent speed control.

Features

- Unique Pneumatic Swing allows for smooth flexion and extension, reducing effort needed from the wearer. By controlling the knee flexion resistance and providing the appropriate extension bias, wearers can be confident that their knee is where they want it to be, when they want it to be
- Safety - Irrespective of the situation, Orion3 constantly monitors and responds appropriately, keeping wearers safe. A built in stumble recovery mode and variable cadence functionality that when loaded, progressively increases resistance as knee flexion increases, to aid walking down stairs or sitting. This setting is fully customisable to the wearer based on their residual limb strength.
- Standing Support stabilises the knee, whether fully extended or bent, irrespective of the terrain, enabling better posture and more balanced loading.
- Water Resistant to IP55
- Easy and Intuitive Programming via the Apple or Android App.

Specifications

Max. User Weight:	125kg
Activity Level:	(2), 3, (4*)
Component Weight:	1.5kg
Build Height:	250mm
Control Unit:	MPK Hydraulic/Pneumatic

*Maximum user weight 100kg



Suitable for outdoor use

Part Numbers

ORION3

Accessories

Battery Charger Kit	239093V2A
Cosmetic Cover	561101BLACK
Blatchford large limb bag	936267
Blatchford small limb bag	936268

Socket Adapters

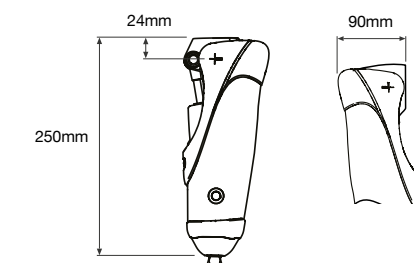
P409049 

Orion³

Knees



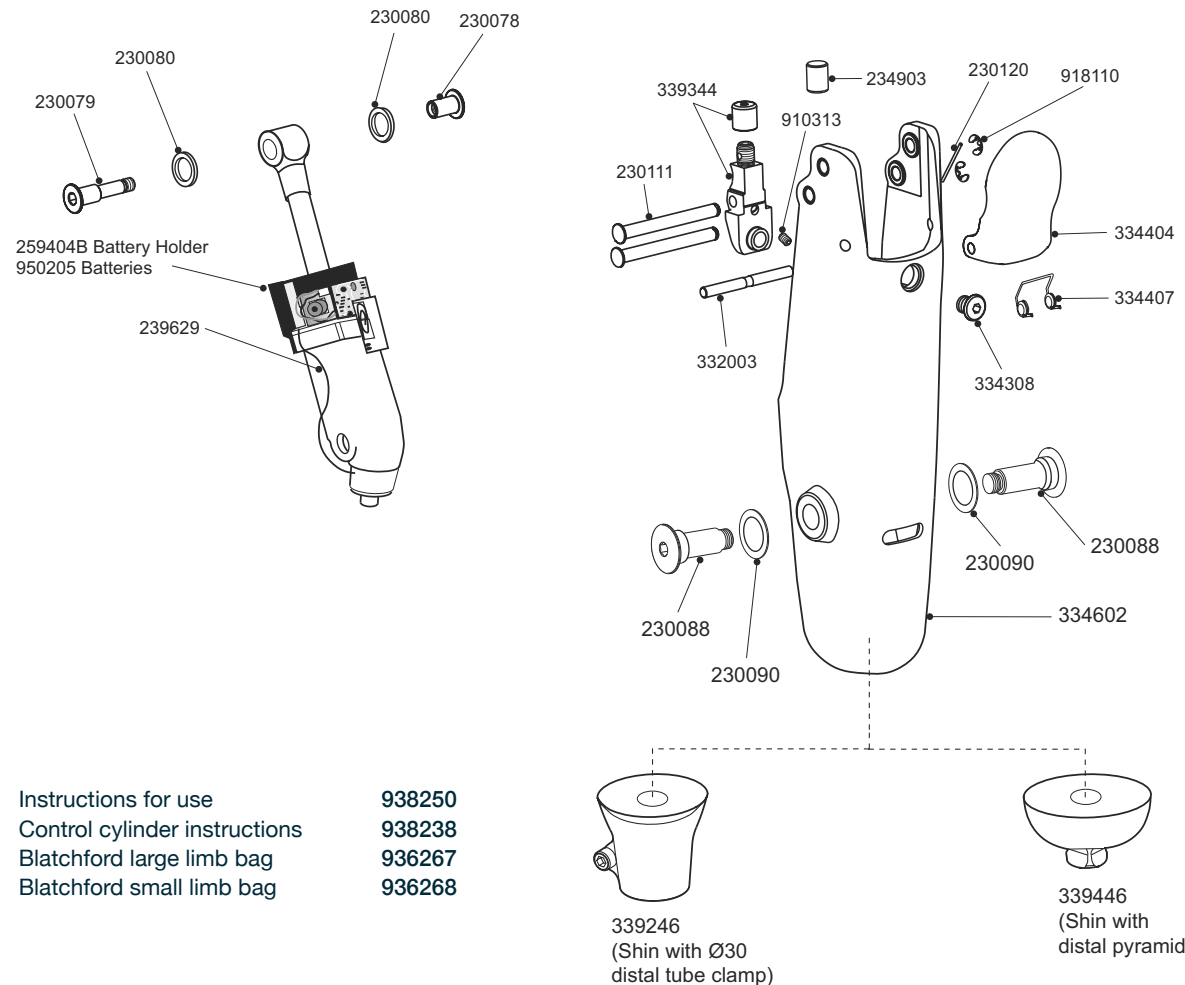
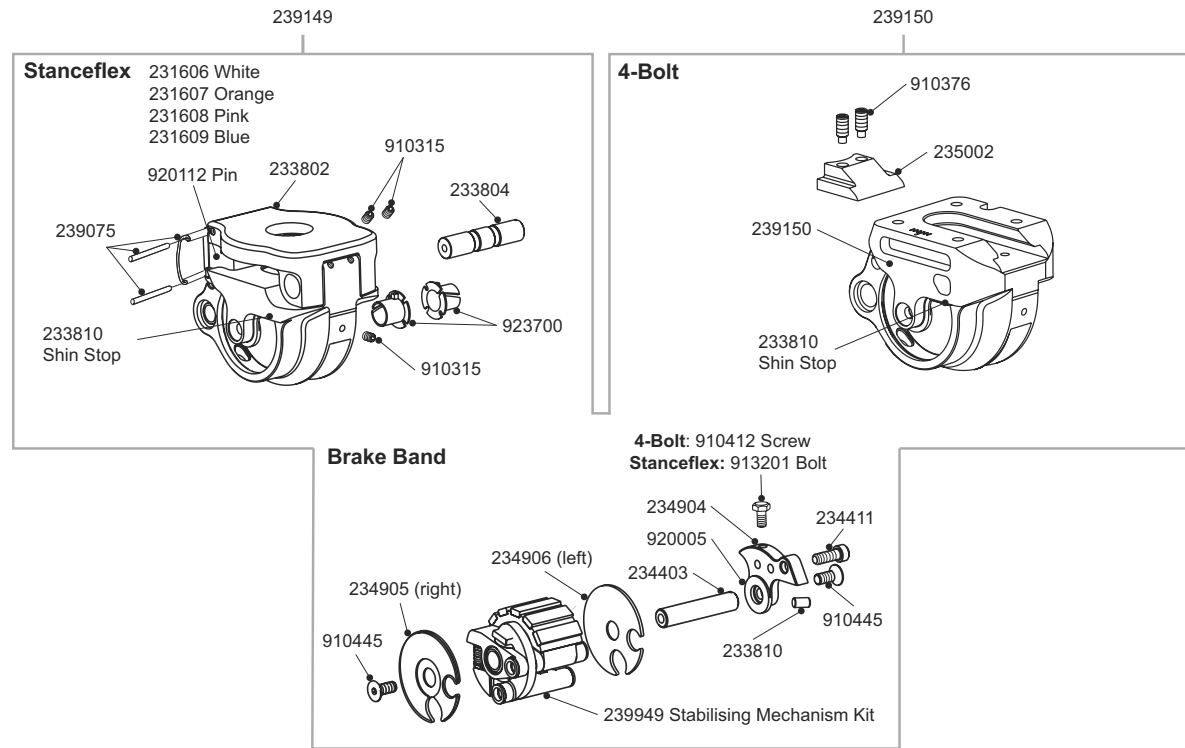
Build Height



Proximal Attachments

Rotating Pyramid with Shift	239017			7mm
Non-rotating Pyramid with Shift	239089			7mm
Rotating Female Pyramid with Shift	189128			28mm
M36 Threaded Adapter	239092			14mm





- Instructions for use 938250
- Control cylinder instructions 938238
- Blatchford large limb bag 936267
- Blatchford small limb bag 936268

Build part numbers are for assembly guidance only and may not be for sale separately.

Features

- Smart Programming, electromechanical, adjustable terminal impact and extension damping
- Comfortable gait from very slow to fast walking speeds
- Smoother speed progression because of enhanced program
- Weight activated stance control
- Stanceflex option improves comfort
- Battery life expectancy 9-12 months under normal usage
- 140° knee flexion
- 4-Bolt option reduces build height

Specifications

- Max. User Weight:** 125kg
- Activity Level:** (1), 2, 3, (4*)
- Component Weight:** 1.27kg Stanceflex
1.15kg 4-Bolt
- Build Height:** see diagram
- Control Unit:** Swing: MPK/Pneumatic
Stance: mechanical

* Maximum user weight 100kg



Part Number

- Stanceflex options SMARTIPSF30
SMARTIPSF30PYR
- 4-Bolt options SMARTIP4B30
SMARTIP4BPYR

Stanceflex Rubber Hardness

25° 231608 Soft	35° 231606	45° 231607 Fitted as standard	70° 231609 Hard
------------------------------	----------------------	--	------------------------------

Careful selection of Stanceflex rubber is essential as it influences the action of the unit (see fitting information).

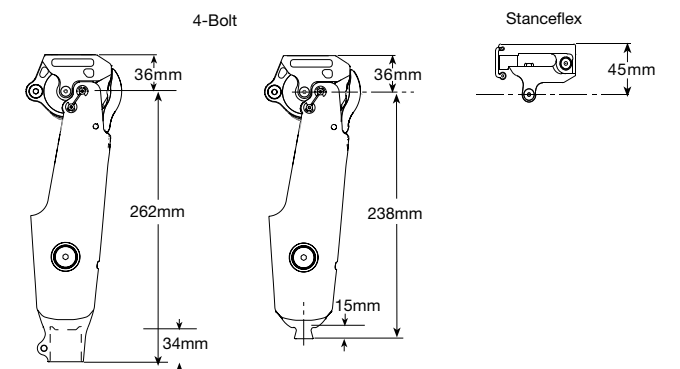
Socket Adapters

- Stanceflex options
 - 409041
 - 189806
 - 189127
- 4-Bolt options
 - EP-MSR
 - EP-FSR
 - P189310
 - 239017
 - 239032
 - 189128
 - 239092
 - 239089

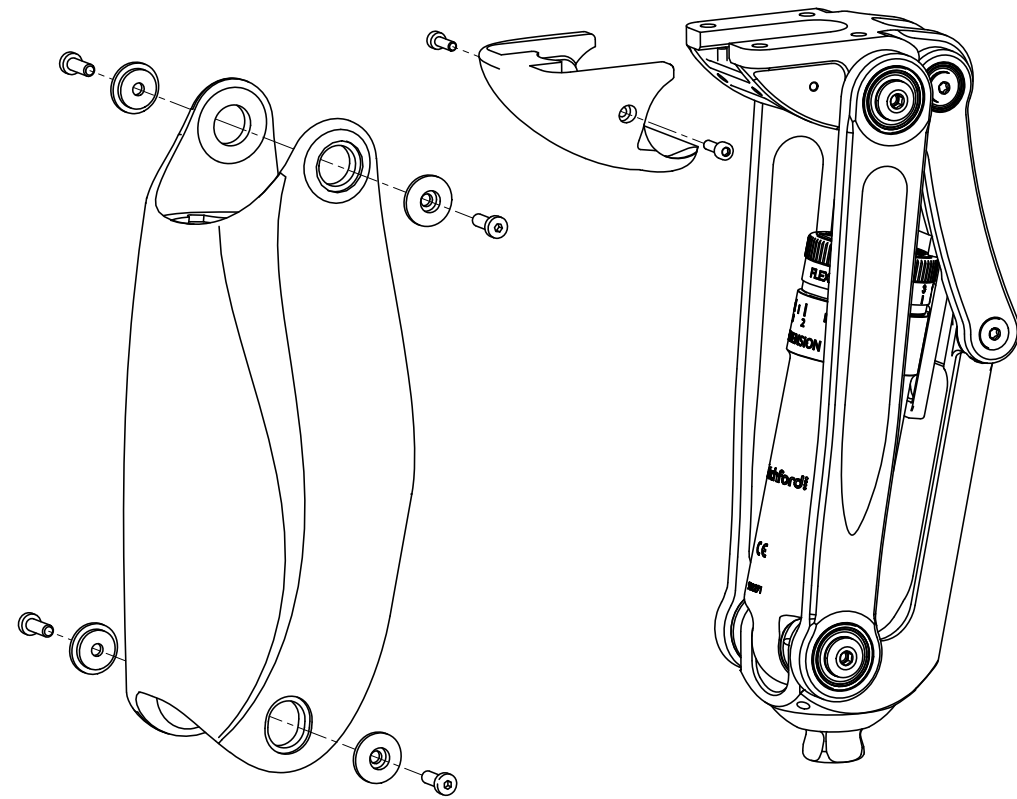


Pyramid option shown

Build Height



KX06 Schematics



Spare Parts:

Knee Pad Kit	239561
Cover replacement kit	239661
Spacer and screw kits for cover	239761
Cover spacer	236122

Instructions for use 938409

Robust hydraulic knee for active users.

Features

- Polycentric knee with hydraulic swing and stance
- Sleek robust design with protective cover
- 160° knee flexion
- Waterproof
- Mode switch for cycling and standing support
- Multiple proximal adapter choices

Specifications


Max. User Weight/Activity Level:	150kg/3 145kg/4
Component Weight:	1.34kg
Build Height:	220mm
Control Unit:	Hydraulic



Part Numbers

KX06V2

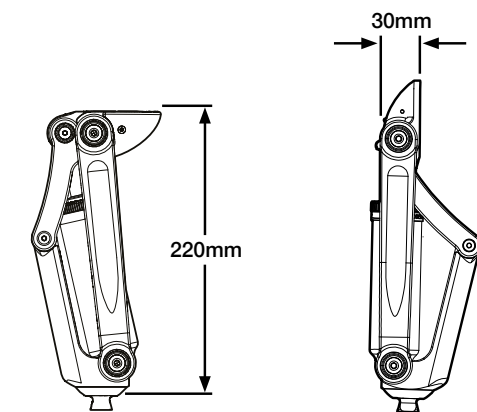
Accessories

Cylinder Adjuster Tool	940091	
Blatchford large limb bag	936267	
Blatchford small limb bag	936268	
KX06V2 Knee Pad	235422	

Adapters

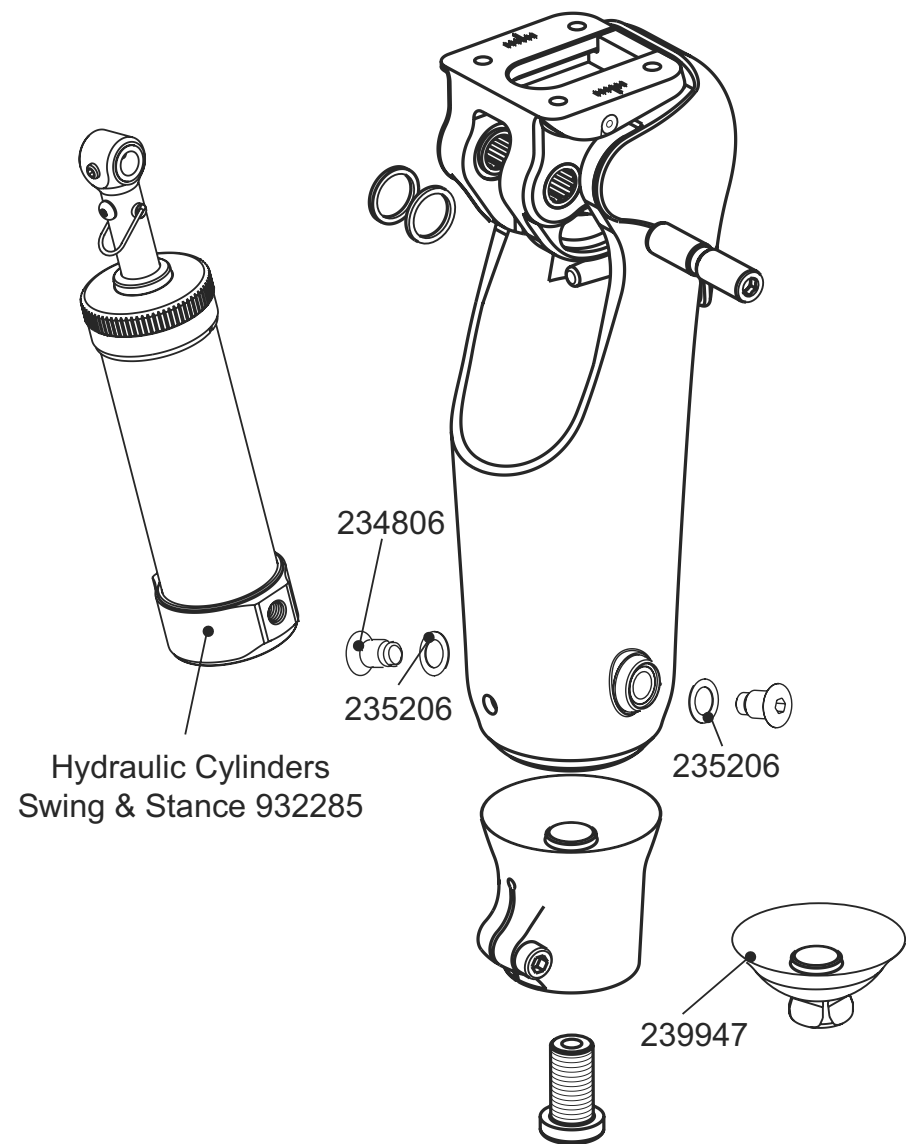
				
EP-MSR	EP-FSR	P189310	239032	239017
				
189128	239092	239089		

Build Height



Build part numbers are for assembly guidance only and may not be for sale separately.

KX06



Instructions for use knee 938251
Control cylinder instructions 938216

Build part numbers are for assembly guidance only and may not be for sale separately.

Robust hydraulic knee for active lifestyles.

Features

- Tough carbon fibre frame
- 125° knee flexion
- Long life needle roller bearings
- Reinforced hydraulic unit
- Variable cadence
- Cylinder flexion lock
- Mode switch for cycling
- Durable urethane kneeler pad
- Compact design

Specifications

Max. User Weight/Activity Level: 150kg/3
145kg/4

Component Weight: 1.23kg

Build Height: See diagram


Control Unit: Hydraulic

Suitable for outdoor use

Part Numbers

MH30
MHPYR

Accessories

Cylinder Adjuster Tool 940091 

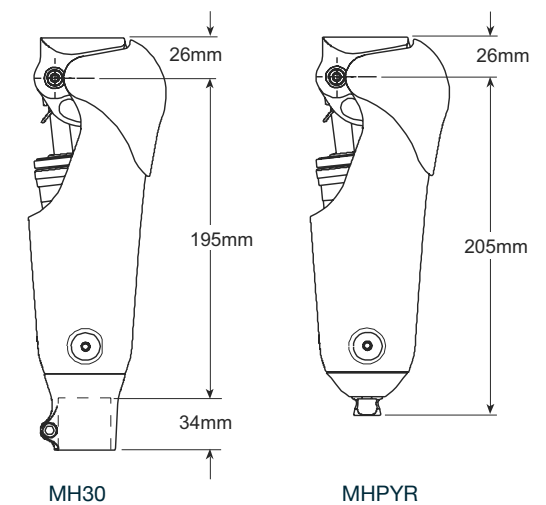
Blatchford large limb bag 936267

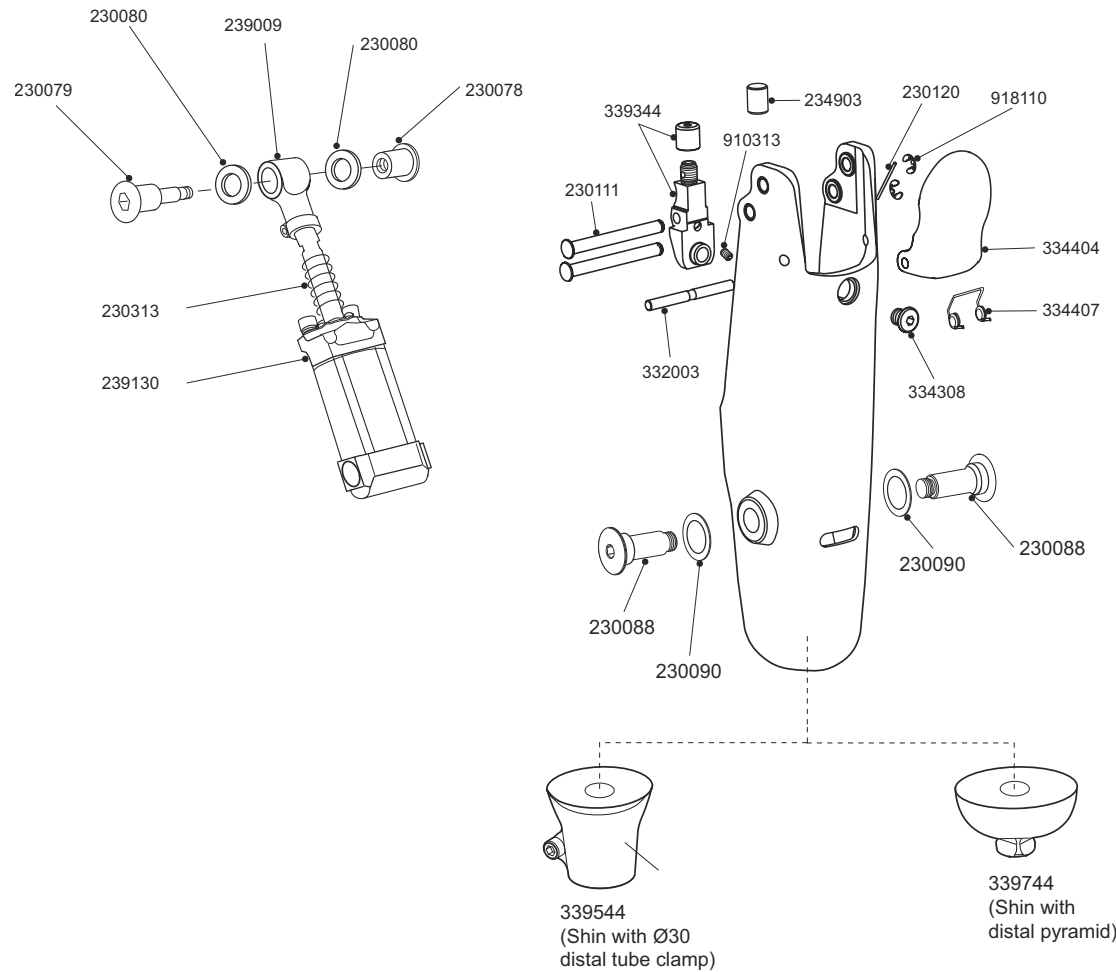
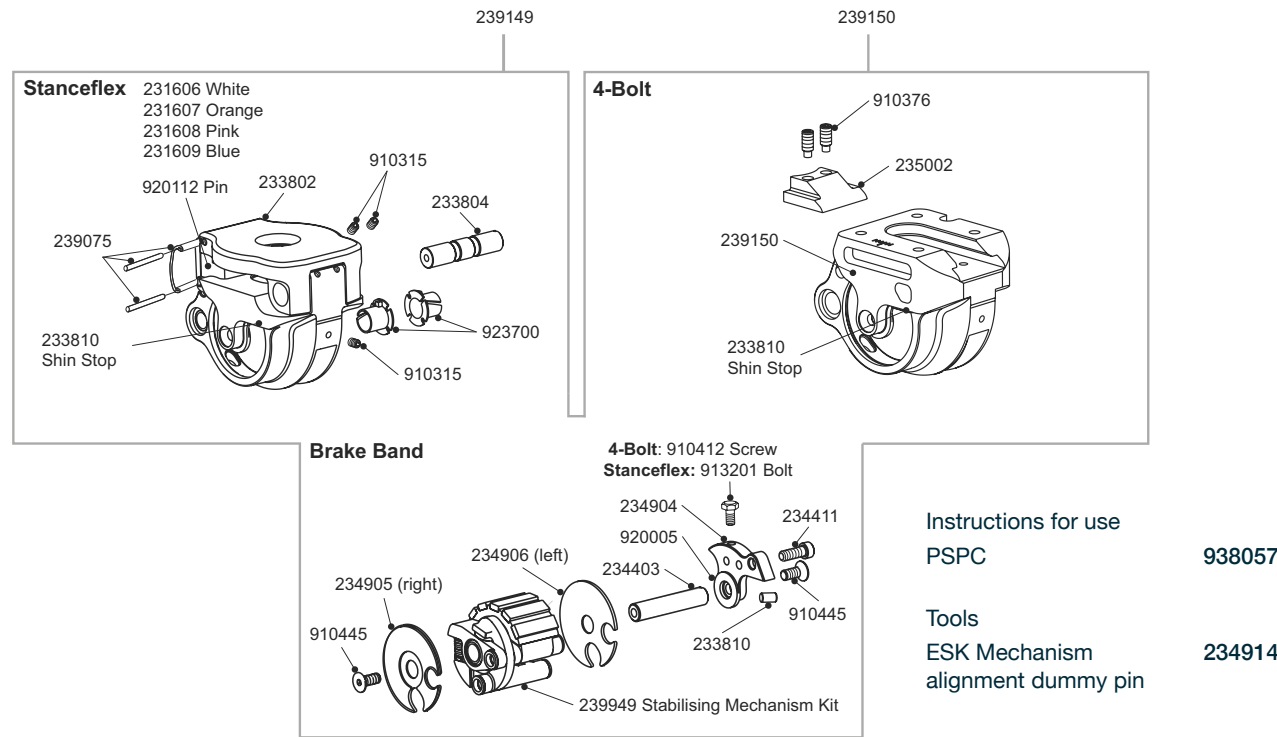
Blatchford small limb bag 936268

Adapters



Build Height





PSPC knee with weight activated stance control for moderately active users.

Features

- Weight activated adjustable stance control
- Pneumatic swing phase control
- Stanceflex option improves comfort
- 140° of knee flexion
- 4-Bolt option reduces build height

Specifications

Max. User Weight: 125kg
 Activity Level: 2, 3, (4*)
 Component Weight: 1.13kg Stanceflex
 1.15kg 4-Bolt
 Build Height: See diagram
 Control Unit: Pneumatic

* Maximum user weight 100kg

Suitable for outdoor use

Part Numbers

4-Bolt options **ESK4BP30**
 ESK4BPPYR
 Stanceflex Options **ESKSFP30**
 ESKSFPYR

Stanceflex Rubber Hardness

25°	35°	45°	70°
231608	231606	231607	231609
Soft		Fitted as standard	Hard

Careful selection of Stanceflex rubber is essential as it influences the action of the unit (see fitting information).

Accessories

Blatchford large limb bag **936267**
 Blatchford small limb bag **936268**

Adapters

Stanceflex options

409041 189806 189127

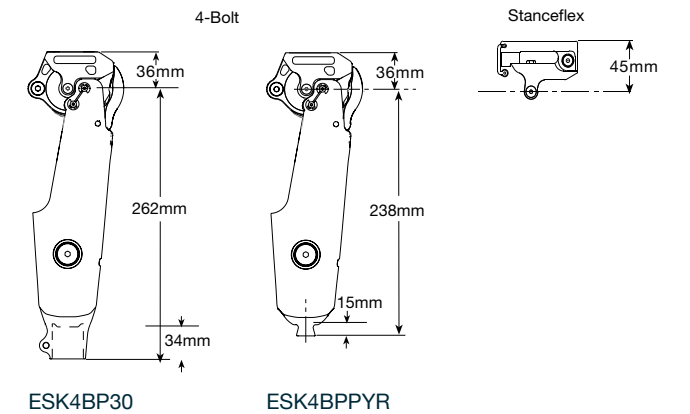
4-Bolt options

EP-MSR EP-FSR P189310 239017 239032
189128 239092 239089



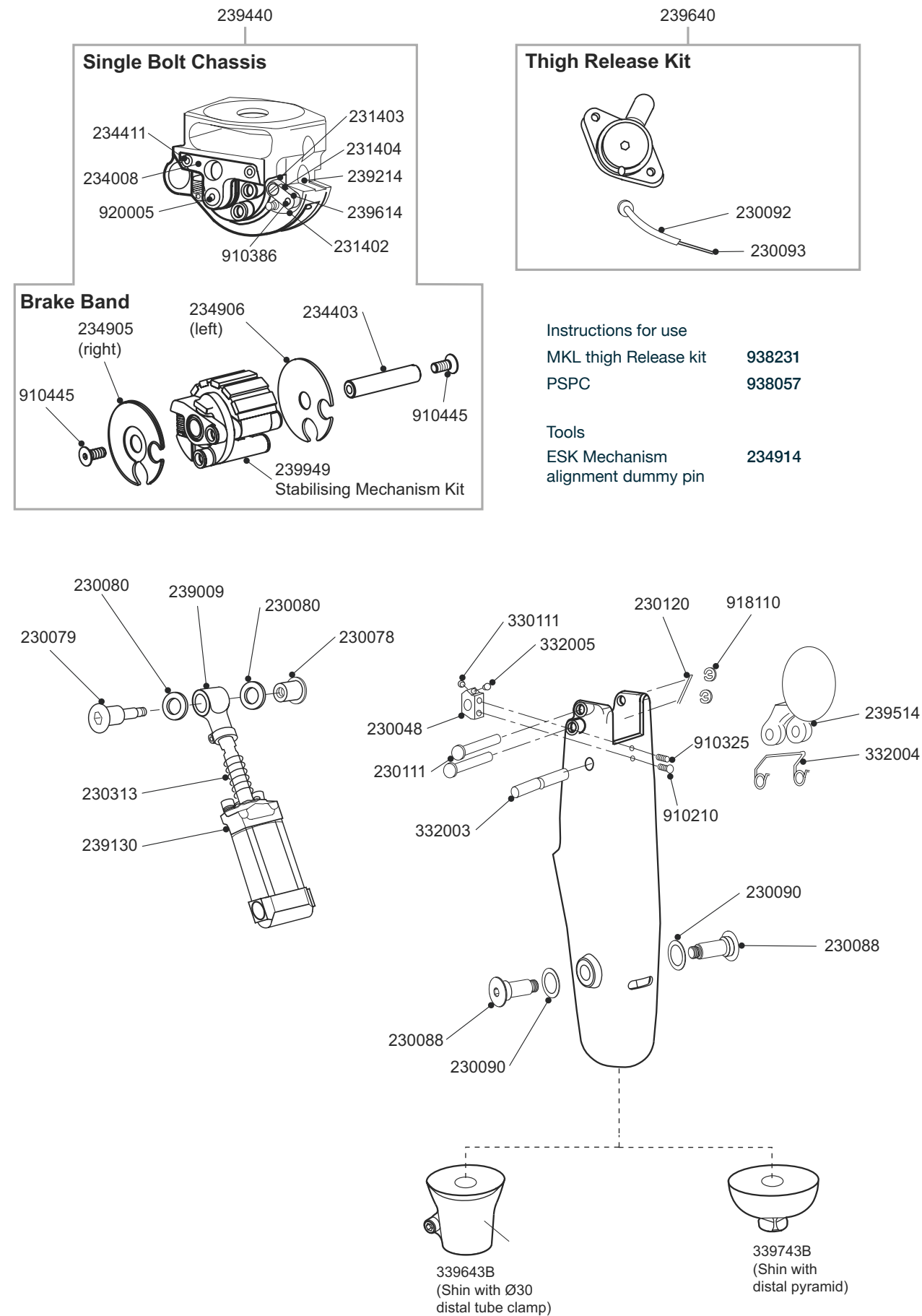
ESK4BP30 shown

Build Height



Build part numbers are for assembly guidance only and may not be for sale separately.

ESK+ MKL Schematics



PSPC knee with weight activated stance control and manual knee lock for moderately active users.

ESK+ MKL

Features

- Weight activated stance control with lock option
- Pneumatic swing control
- Manual user-operated lock
- 115° knee flexion
- Universal thigh release lock operation
- Proximal full alignment

Specifications

Max. User Weight:	125kg
Activity Level:	(1), 2, (3), (4*)
Component Weight:	1.2kg
Build Height:	See diagram
Control Unit:	Pneumatic/lock

* Maximum user weight 100kg



Part Numbers

ESKSBMKLP30
ESKSBMKLPPYR

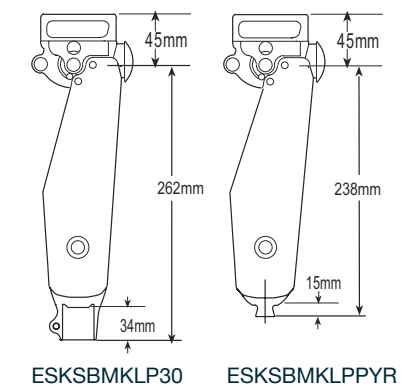
Accessories

Thigh Release Kit	239640 (included)
Blatchford large limb bag	936267
Blatchford small limb bag	936268
ESK Spares Kit	ESK SKit

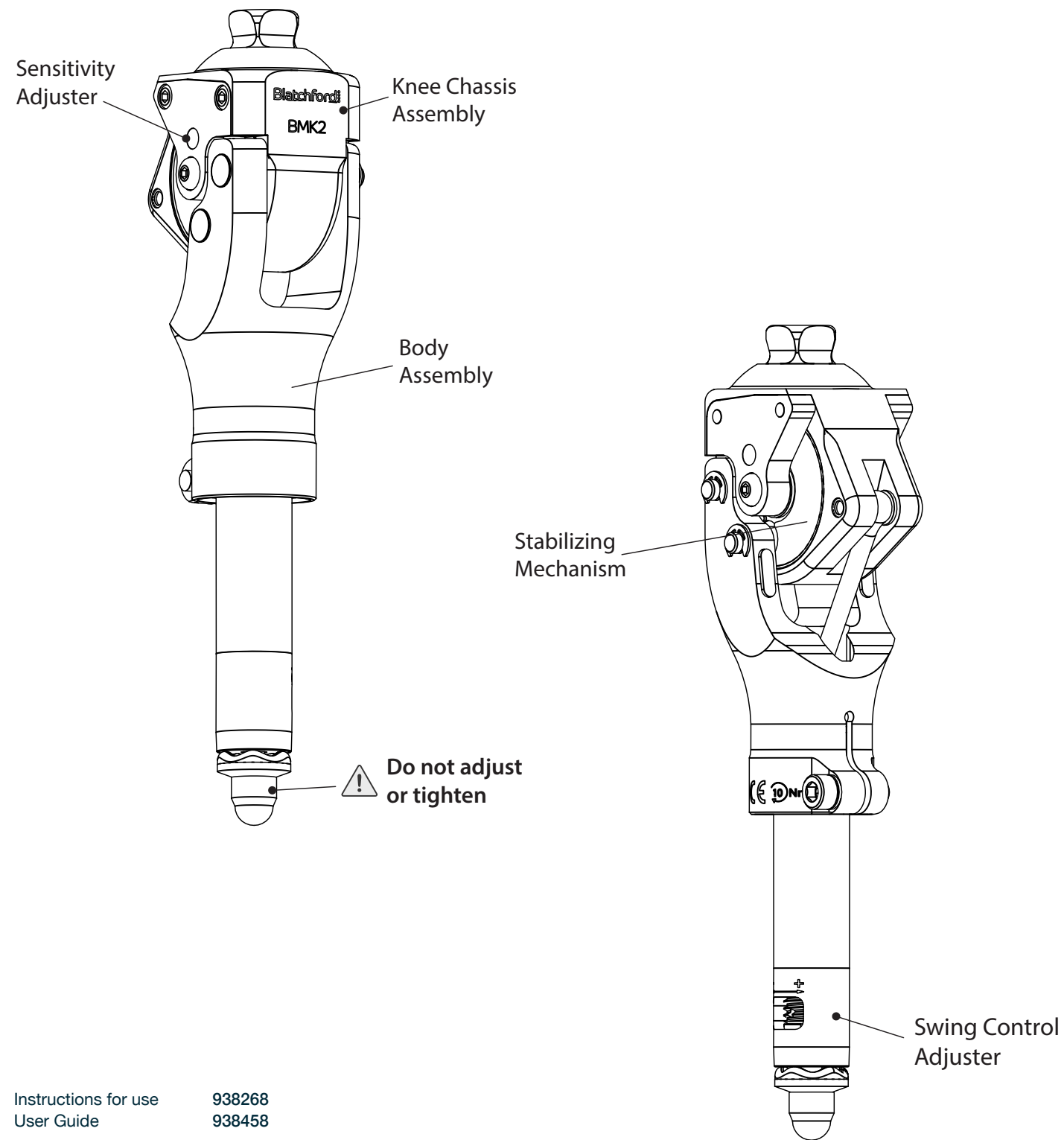
Adapters



Build Height



Build part numbers are for assembly guidance only and may not be for sale separately.



Instructions for use 938268
User Guide 938458

Compact, lightweight stabilised knee designed for low activity amputees.

Features

- Weight activated stance control providing smooth activation and release
- Brake mechanism with adjustable stance phase stability and progressive locking provides high stability and confidence during stance
- Stance Flexion provides additional shock absorption and cushioning improving comfort
- Adjustable spring-assisted swing control allows adjustment of heel rise/extension bias ensuring the limb is in the right place at the right time. Optimising ground clearance whilst reducing the risk of tripping
 - 6 levels of stance phase stability control are adjusted via a 3mm allen key
 - Extension bias adjuster enables more sensitive adjustments for better customization
- Lightweight (580g) requires less energy to maintain mobility
- Compact (60mm protrusion when knee flexed)
- Quick and easy to align incorporating a proximal rotating pyramid
- 130° knee flexion angle
- Field serviceable (refer to IFU)

Specifications

Max. User Weight:	125kg
Activity Level:	1 & 2
Component Weight:	580g (1lb 5ozs)
Build Height:	127mm

Suitable for outdoor use

Part Number

BMK2

Accessories

Extension Stop Kit	239453
Stabilizing Mechanism Kit	239553
Extension Buffer	B-0000021
Blatchford large limb bag	936267
Blatchford small limb bag	936268

Proximal Attachment

Rotating Male Pyramid

Distal Attachment

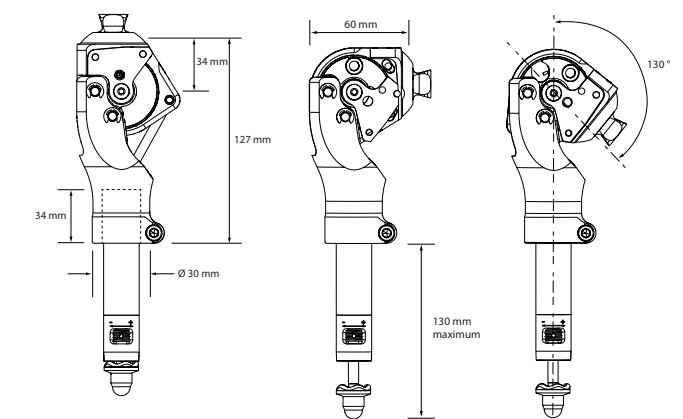
30mm Diameter Tube Clamp

Recommended Foot

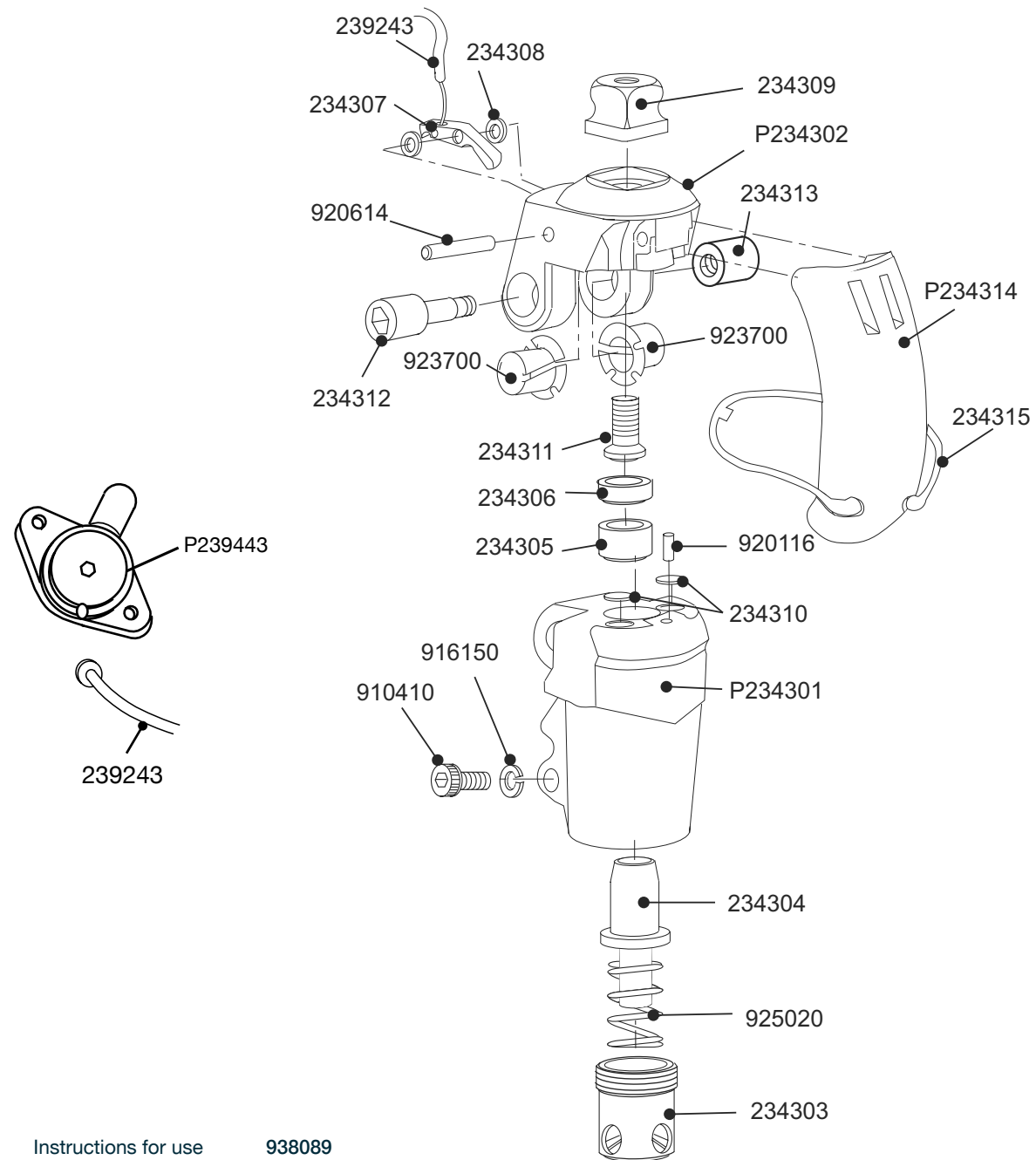
- AvalonK2 or Navigator
- + AK30M1 Tube clamp adaptor pyramid female 30mm
- + 903220/500 Aluminium pylon 30mm/500mm



Build Height



Compact SAKL Schematics



Instructions for use 938089

Build part numbers are for assembly guidance only and may not be for sale separately.

Compact and lightweight knee,
ideal for low activity users.

Features

- Slim, low profile knee
- 140° knee flexion
- Locks automatically on extension
- Thigh release

Specifications

Max. User Weight:	125kg
Activity Level:	1-2
Component Weight:	325g
Build Height:	See diagram
Control Unit:	SAKL



Part Number

P239143

Accessories

Thigh Release Kit (release lever only)	P239443
Thigh Release Cable	239243
SAKL & MK Cable Kit	SAKLCKit

Adapters

P409049

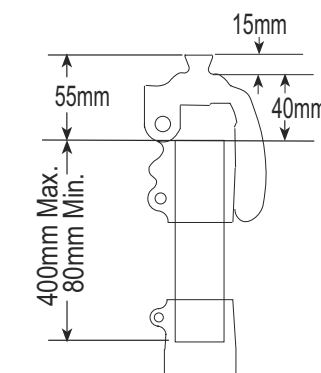


Compact SAKL

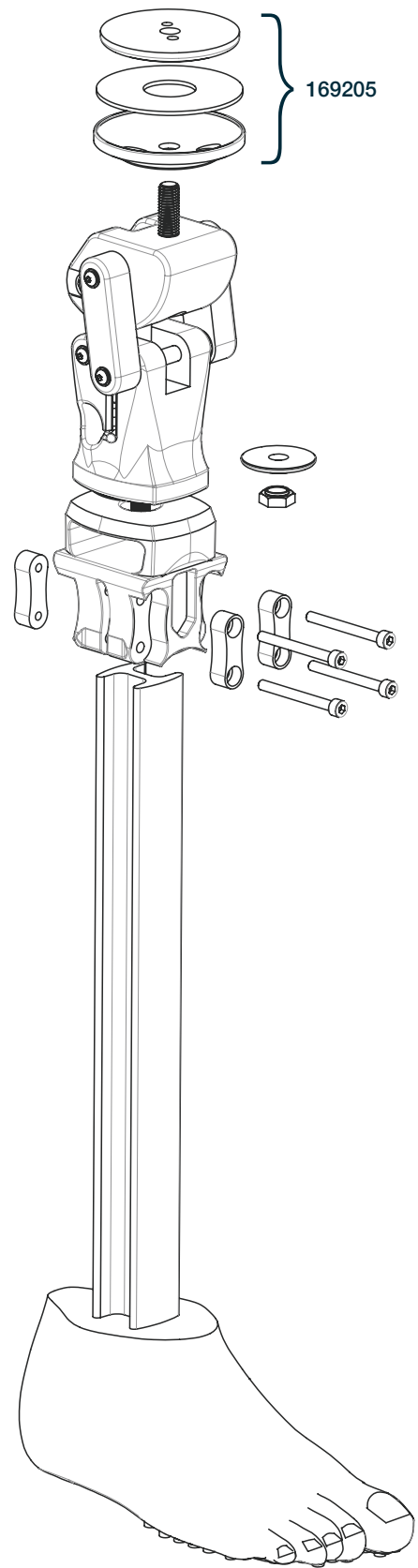


Side view shown

Build Height



Aqualimb^{TF} Schematics



Instructions for use 938321
 Alignment Kit 169205
 Blatchford large limb bag 936267
 Blatchford small limb bag 936268

A waterproof prosthesis designed for use in the shower and wet environments.

Features

- Machined polycentric linkage designed knee to improve security
- Manual lock option to increase stability
- Rapid assembly
- Anti-slip tread pattern on sole

Specifications

Max. User Weight: 100kg
 Activity Level: 1-2
 Size Range: 22cm-27cm
 Component Weight†: 2.0kg
 Build Height: 400-585mm
 Heel Height: 5mm



Aqualimb^{TF}

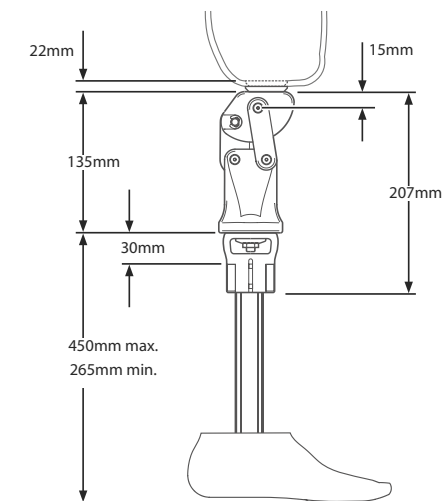


Order Example

Product Code	Size	Side
AQTF	25	L

Foot example: AqualimbTF, size 25 left.

Build Height





Feet and Ankles



Elan Schematics

1 Spring Kits:

Foot Size	Foot Size	Foot Size	Foot Size
22-24	25-26	27-28	29-30
Set 1 - 539801S	Set 1 - 539810S	Set 1 - 539819S	Set 1 - 539828S
Set 2 - 539802S	Set 2 - 539811S	Set 2 - 539820S	Set 2 - 539829S
Set 3 - 539803S	Set 3 - 539812S	Set 3 - 539821S	Set 3 - 539830S
Set 4 - 539804S	Set 4 - 539813S	Set 4 - 539822S	Set 4 - 539831S
Set 5 - 539805S	Set 5 - 539814S	Set 5 - 539823S	Set 5 - 539832S
Set 6 - 539806S	Set 6 - 539815S	Set 6 - 539824S	Set 6 - 539833S
-	Set 7 - 539816S	Set 7 - 539825S	Set 7 - 539834S
-	Set 8 - 539817S	Set 8 - 539826S	Set 8 - 539835S

2 Glide Sock:

Size 22-26	531011
Size 27-30	532811

3 Foot Shells:*

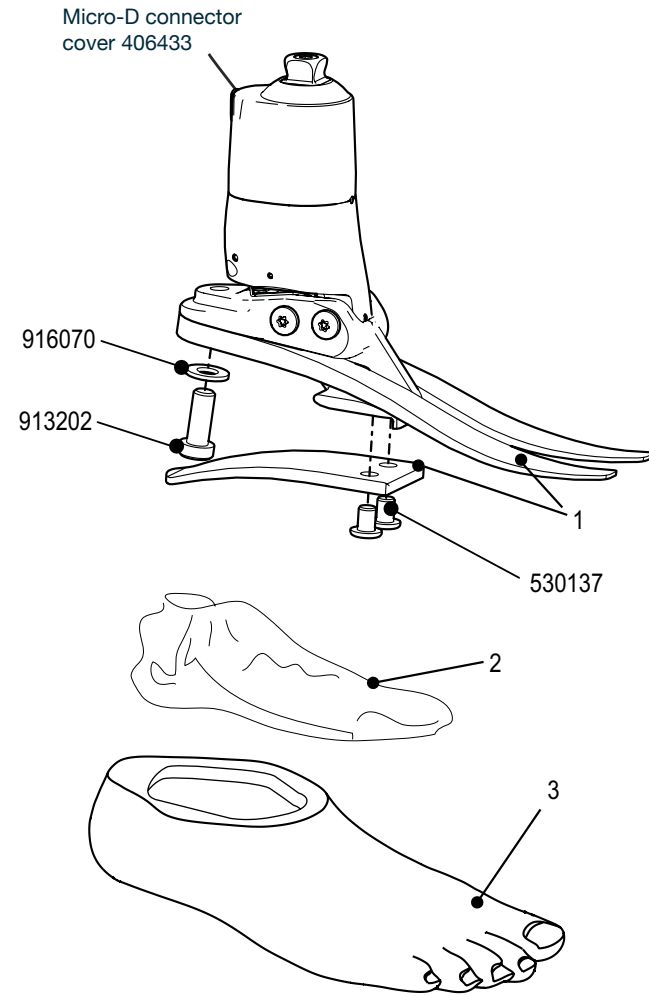
Foot size Left/Right	Narrow	Wide
22L	539038S	-
22R	539039S	-
23L	539040S	-
23R	539041S	-
24L	539042S	-
24R	539043S	-
25L	539044SN	539044SW
25R	539045SN	539045SW
26L	539046SN	539046SW
26R	539047SN	539047SW
27L	539048SN	539048SW
27R	539049SN	539049SW
28L	539050SN	539050SW
28R	539051SN	539051SW
29L	-	539052S
29R	-	539053S
30L	-	539054S
30R	-	539055S

*For dark tone add suffix D

Bluetooth® dongle	409093
Clinician's manual	938317S

Elan battery charger kit	409087E
Includes:	
Battery charger	950215
Battery charger adapter (UK)	950103
Battery charger adapter (USA)	950104
Battery charger adapter (EURO)	950105
Charger adapter cable	409091

Elan comms kit	406431E
Includes:	
External USB Bluetooth® adapter	950129
Comms cable (USB to TTL)	950928
Comms cable adapter	409078
Interface cable	
(micro D to comms cable adapter)	409084
Elan software USB fob	406413E



Microprocessor-controlled hydraulic ankle/foot for terrain response and speed control.

Elan

Feet and Ankles

Features

- Microprocessor controlled self-aligning plantar flexion and dorsiflexion
- Standing support mode increases resistance when stationary to help improve balance, stability, reduce effort and encourage a more natural posture
- Variable response to speed changes
- Increased plantar flexion resistance allows for more energy storage and return when walking quickly or up slopes
- Ankle remains dorsiflexed during swing phase to increase toe clearance and reduce risk of trips and falls
- Batteries contained within ankle
- Increased dorsiflexion resistance provides a brake when walking down slopes for improved safety and stability
- Sandal Toe Foot Shell

Foot Shell and Glide Sock included.



Specifications

Max. User Weight:	125kg*
Activity Level:	(2), 3, (4**)
Size Range:	22cm-30cm
Component Weight:	920g†
Build Height:	170mm sizes 22-26 175mm sizes 27-30
Heel Height:	10mm

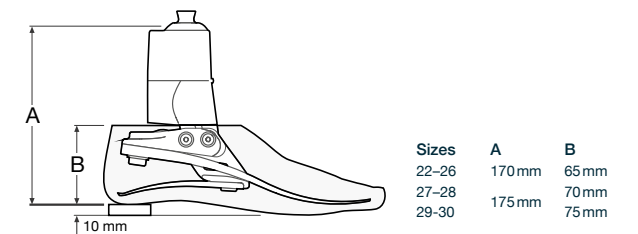


Order Example

Product Code	Size	Side	Width*	Spring Set	Sandal Toe
ELAN	25	L	N	3	S

*Narrow (N) and Wide (W) available for sizes 25-28 only. □
For dark tone add suffix D.
Example: foot size 25, left, narrow, spring rating 3, sandal toe.

Build Height



Accessories

Alignment Wedge	940093
Spare Battery Charger Kit	409087E
Programming Tablet	019179

Activity Level 2 and 4** users who would benefit from this foot will require softer or stiffer springs as appropriate for the individual. Refer to Instructions for Use for further information. Spring set recommendations are for trans-tibial users. For trans-femoral we suggest selecting a spring set one level lower.

Activity	User Weight							
	44-52	53-59	60-68	69-77	78-88	89-100	101-116	117-125
3	1	2	3	4	5	6	7	8

Spring set

**Maximum user weight 100 kg and always use one higher spring rate category than shown in Spring selection table.
†Component weight shown is for a size 26cm without foot shell.

Build part numbers are for assembly guidance only and may not be for sale separately.

1 Spring Kits:

Foot Size	Foot Size	Foot Size	Foot Size
22-24	25-26	27-28	29-30
Set 1 - 539801S	Set 1 - 539810S	Set 1 - 539819S	Set 1 - 539828S
Set 2 - 539802S	Set 2 - 539811S	Set 2 - 539820S	Set 2 - 539829S
Set 3 - 539803S	Set 3 - 539812S	Set 3 - 539821S	Set 3 - 539830S
Set 4 - 539804S	Set 4 - 539813S	Set 4 - 539822S	Set 4 - 539831S
Set 5 - 539805S	Set 5 - 539814S	Set 5 - 539823S	Set 5 - 539832S
Set 6 - 539806S	Set 6 - 539815S	Set 6 - 539824S	Set 6 - 539833S
-	Set 7 - 539816S	Set 7 - 539825S	Set 7 - 539834S
-	Set 8 - 539817S	Set 8 - 539826S	Set 8 - 539835S

2 Glide Sock:

Size 22-26	531011
Size 27-30	532811

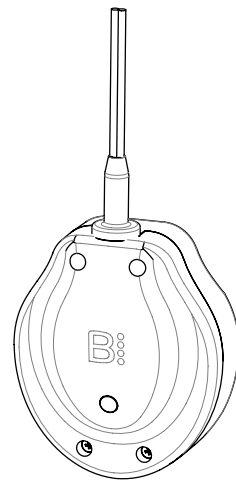
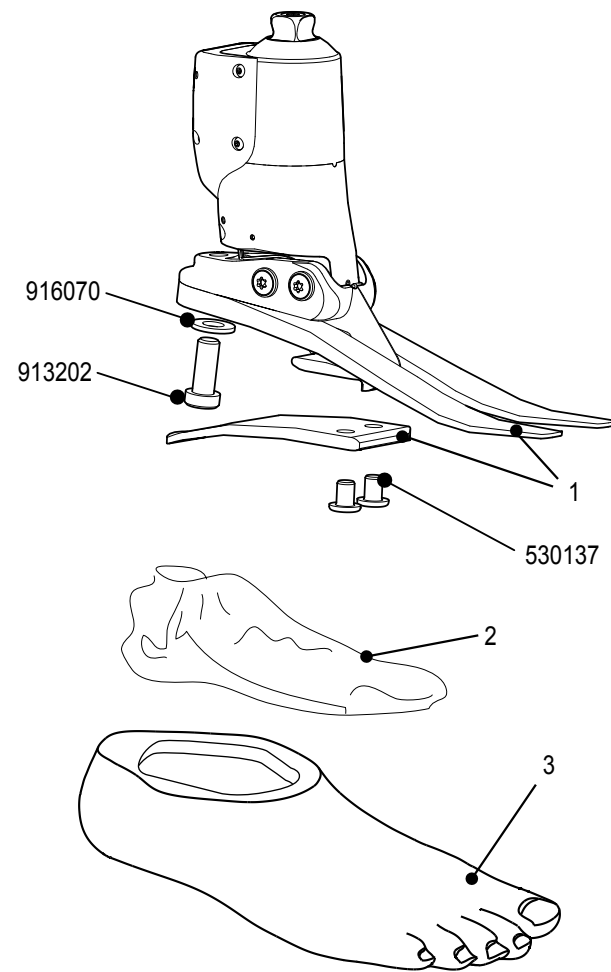
3 Foot Shells:*

Foot size Left/Right	Narrow	Wide
22L	539038S	-
22R	539039S	-
23L	539040S	-
23R	539041S	-
24L	539042S	-
24R	539043S	-
25L	539044SN	539044SW
25R	539045SN	539045SW
26L	539046SN	539046SW
26R	539047SN	539047SW
27L	539048SN	539048SW
27R	539049SN	539049SW
28L	539050SN	539050SW
28R	539051SN	539051SW
29L	-	539052S
29R	-	539053S
30L	-	539054S
30R	-	539055S

*For dark tone add suffix D

Battery Charger Adaptor - UK	950185
Battery Charger Adaptor - US	950184
Battery Charger Adaptor - Europe	950183
Battery Charger Adaptor - Australia	950186
External USB Bluetooth [®] Adaptor	950129
IC Battery Charger Kit	409087IC

Instructions for use	938438
----------------------	--------



Waterproof microprocessor controlled hydraulic ankle/foot for terrain response and speed control.

Features

- Integrated **Bluetooth**[®]
- Clinician Programming App
- Microprocessor controlled plantar flexion and dorsiflexion
- Standing support mode increases resistance when stationary to help improve balance, stability, reduce effort and encourage a more natural posture
- Variable response to speed changes
- Increased plantar flexion resistance allows for more energy storage and return when walking quickly or up slopes
- Ankle dorsiflexion during the swing phase increases toe clearance and reduces the risk of trips and falls
- Increased dorsiflexion resistance provides a brake when walking down slopes for improved safety and stability
- Waterproof – IP67
- Induction charging
- Sandal Toe Foot Shell

Foot Shell and Glide Sock included.

Specifications

Max. User Weight:	125kg*
Activity Level:	(2), 3, (4**)
Size Range:	22cm-30cm
Component Weight:	1kg [†]
Build Height:	172mm sizes 22-26 177mm sizes 27-30
Heel Height:	10mm
Waterproof:	Rated to IP67



Suitable for submersion

Order Example

Product Code	Size	Side	Width*	Spring Set	Sandal Toe
ELANIC	25	L	N	3	S

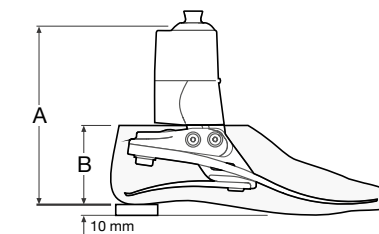
*Narrow (N) and Wide (W) available for sizes 25-28 only.†

For dark tone add suffix D.

Example: foot size 25, left, narrow, spring rating 3, sandal toe.



Build Height



Sizes	A	B
22-26	172mm	65mm
27-28	177mm	70mm
29-30	177mm	75mm

Accessories

Alignment Wedge	940093
Inductive Battery Charger Kit	409087IC
Programming Tablet	019179

Activity Level 2 and 4** users who would benefit from this foot will require softer or stiffer springs as appropriate for the individual. Refer to Instructions for Use for further information. Spring set recommendations are for trans-tibial users. For trans-femoral we suggest selecting a spring set one level lower.

Activity	User Weight								Spring set
	44-52	53-59	60-68	69-77	78-88	89-100	101-116	117-125	
3	1	2	3	4	5	6	7	8	

**Maximum user weight 100 kg and always use one higher spring rate category than shown in Spring selection table.
†Component weight shown is for a size 26cm without foot shell.

Build part numbers are for assembly guidance only and may not be for sale separately.

1 Spring Kits:

Foot Size	Foot Size	Foot Size	Foot Size
22-24	25-26	27-28	29-30
Set 1 - 539801S	Set 1 - 539810S	Set 1 - 539819S	Set 1 - 539828S
Set 2 - 539802S	Set 2 - 539811S	Set 2 - 539820S	Set 2 - 539829S
Set 3 - 539803S	Set 3 - 539812S	Set 3 - 539821S	Set 3 - 539830S
Set 4 - 539804S	Set 4 - 539813S	Set 4 - 539822S	Set 4 - 539831S
Set 5 - 539805S	Set 5 - 539814S	Set 5 - 539823S	Set 5 - 539832S
Set 6 - 539806S	Set 6 - 539815S	Set 6 - 539824S	Set 6 - 539833S
Set 7 - 539807S	Set 7 - 539816S	Set 7 - 539825S	Set 7 - 539834S
Set 8 - 539808S	Set 8 - 539817S	Set 8 - 539826S	Set 8 - 539835S

2 Glide Sock:

Size 22-26	531011
Size 27-30	532811

3 Foot Shells:*

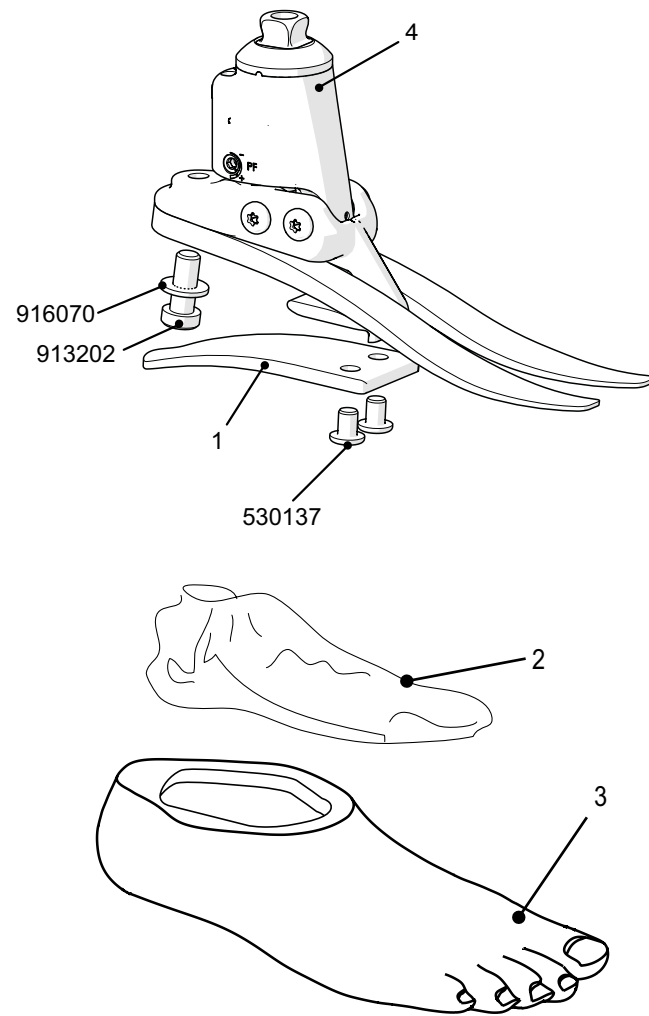
Foot size Left/Right	Narrow	Wide
22L	539038S	-
22R	539039S	-
23L	539040S	-
23R	539041S	-
24L	539042S	-
24R	539043S	-
25L	539044SN	539044SW
25R	539045SN	539045SW
26L	539046SN	539046SW
26R	539047SN	539047SW
27L	539048SN	539048SW
28L	539050SN	539050SW
28R	539051SN	539051SW
28R	-	539051S
29L	-	539052S
29R	-	539053S
30L	-	539054S
30R	-	539055S

*For dark tone add suffix D

4 Carrier Assembly

Size	
Small: 22-24	409263VAC
Medium: 25-26	409363VAC
Large: 27-30	409463VAC

Instructions for use 938367S



Hydraulic ankle technology paired with an elevated vacuum system for a secure and comfortable socket connection.

Features

- Biomimetic Hydraulic Technology with integrated elevated vacuum
- Walking motion generates a natural vacuum
- No power required, quiet gentle operation
- Lightweight, compact design
- Low build height
- E-carbon springs for efficient energy return
- Split toe design for ground compliance on uneven terrain
- Sandal Toe Foot Shell

Foot Shell and Glide Sock included.

Specifications

Max. User Weight:	125kg
Activity Level:	(2), 3, (4*)
Size Range:	22-30cm
Component Weight:	700g [†]
Maximum Vacuum:	17" Hg
Build Height:	121mm sizes 22-24 126mm sizes 25-26 131mm sizes 27-30
Heel Height:	10mm



Order Example

Product Code	Size	Side	Width*	Spring Set	Sandal Toe
EVAC	25	L	N	3	S

*Narrow (N) and Wide (W) available for sizes 25-28 only.[□]
For dark tone add suffix D.

Example: foot size 25, left, narrow, spring rating 3, sandal toe.

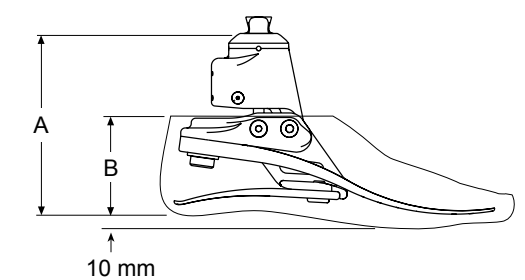
Accessories

Valves recommended for use with EchelonVAC can be found on page 124.

Alignment Wedge	940093
DF/PF Adjuster Key	940236
Socket Connection Kit	409663
Check Valve Service Kit	409863



Build Height



Size	A	Size	B
22-24	121 mm	22-26	65 mm
25-26	126 mm	27-28	70 mm
27-30	131 mm	29-30	75 mm

Build part numbers are for assembly guidance only and may not be for sale separately.

Activity Level 2 and 4* users who would benefit from this foot will require softer or stiffer springs as appropriate for the individual. Refer to Instructions for Use for further information.

Spring set recommendations are for trans-tibial users. For trans-femoral we suggest selecting a spring set one level lower.

Activity

User Weight

44-52	53-59	60-68	69-77	78-88	89-100	101-116	117-125	kg
100-115	116-130	131-150	151-170	171-195	196-220	221-255	256-275	lbs

3

1	2	3	4	5	6	7	8	Spring set
---	---	---	---	---	---	---	---	------------

[□]Maximum user weight 100 kg and always use one higher spring rate category than shown in Spring selection table.
[†]Component weight shown is for a size 26cm without foot shell.

Echelon^{VT} Schematics

1 Spring Kits:

Foot Size	Foot Size	Foot Size	Foot Size
22-24	25-26	27-28	29-30
Set 1 - 539801S	Set 1 - 539810S	Set 1 - 539819S	Set 1 - 539828S
Set 2 - 539802S	Set 2 - 539811S	Set 2 - 539820S	Set 2 - 539829S
Set 3 - 539803S	Set 3 - 539812S	Set 3 - 539821S	Set 3 - 539830S
Set 4 - 539804S	Set 4 - 539813S	Set 4 - 539822S	Set 4 - 539831S
Set 5 - 539805S	Set 5 - 539814S	Set 5 - 539823S	Set 5 - 539832S
Set 6 - 539806S	Set 6 - 539815S	Set 6 - 539824S	Set 6 - 539833S
Set 7 - 539807S	Set 7 - 539816S	Set 7 - 539825S	Set 7 - 539834S
Set 8 - 539808S	Set 8 - 539817S	Set 8 - 539826S	Set 8 - 539835S

2 Glide Sock:

Size 22-26	531011
Size 27-30	532811

3 Foot Shells:*

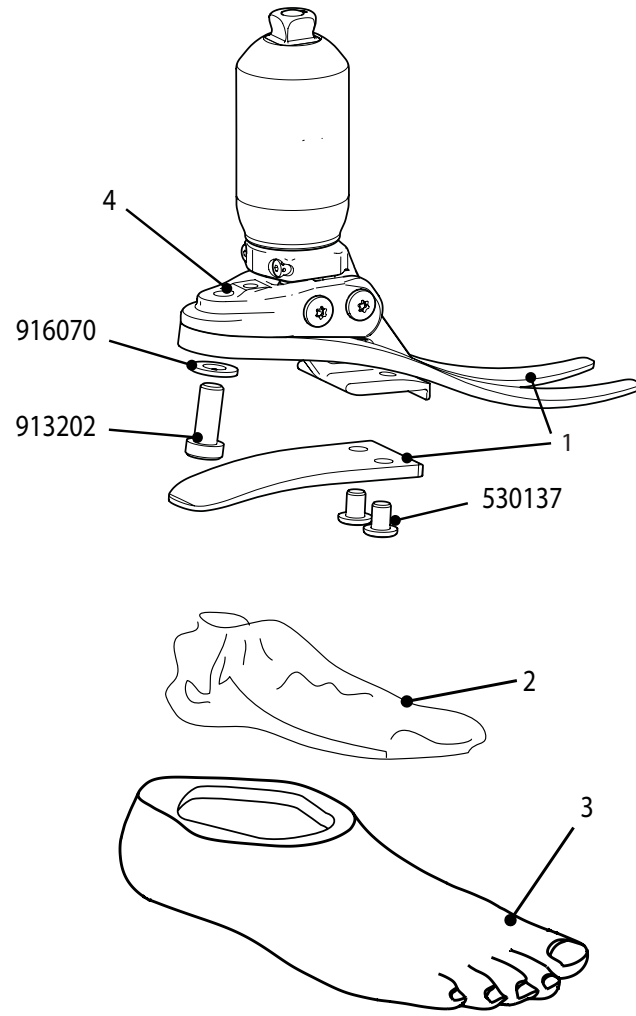
Foot size Left/Right	Narrow	Wide
22L	539038S	-
22R	539039S	-
23L	539040S	-
23R	539041S	-
24L	539042S	-
24R	539043S	-
25L	539044SN	539044SW
25R	539045SN	539045SW
26L	539046SN	539046SW
26R	539047SN	539047SW
27L	539048SN	539048SW
27R	539049SN	539049SW
28L	539050SN	539050SW
28R	539051SN	539051SW
29L	-	539052S
29R	-	539053S
30L	-	539054S
30R	-	539055S

*For dark tone add suffix D

4 Carrier assembly

Size	Rate	1	2	3	4
Small: 22, 23 & 24	539062	539063	539064	539065	539066
Medium: 25 & 26	539066	539067	539068	539069	539070
Large: 27 to 30	539070	539071	539072	539073	539074

Instructions for use 938315S



Biomimetic hydraulic ankle/foot with shock absorber, rotation and split toe for terrain conformance.

Echelon^{VT}

Features

- Hydraulic control of dorsiflexion and plantar flexion
- Dorsi-flexed toe for swing phase
- Rotation and vertical shock absorption
- Tripod action for conformance and vertical compliance
- Smooth hydraulic and spring action
- Slimline foot design
- Responsive e-carbon foot springs
- Sandal Toe Foot Shell

Foot Shell and Glide Sock included.



Specifications

Max. Amputee weight:	125kg
Activity Level:	(2), 3, (4*)
Size Range:	22cm-30cm
Component Weight:	855g†
Build Height:	168mm sizes 22-24 173mm sizes 25-26 178mm sizes 27-30
Heel Height:	10mm



Suitable for outdoor use

Order Example

Product Code	Size	Side	Width*	Spring Set	Axial Spring	Sandal Toe
ECVT	25	L	N	5	3	S

*Narrow (N) and Wide (W) available for sizes 25-28 only.†

For dark tone add suffix D.
Example: foot size 25, left, narrow, spring rating 5, axial spring 3, sandal toe

Accessories

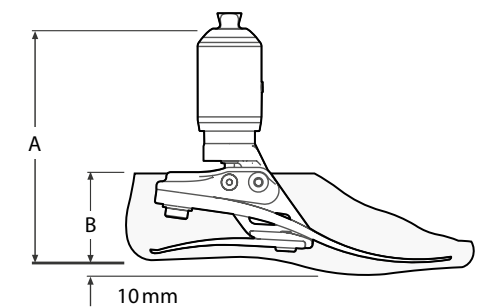
Alignment Wedge 940093



Foot Shell Cover 539096



Build Height



Size	A	Size	B
22-24	168mm	22-26	65mm
25-26	173mm	27-28	70mm
27-30	178mm	29-30	75mm

Build part numbers are for assembly guidance only and may not be for sale separately.

Activity Level 2 and 4* users who would benefit from this foot will require softer or stiffer springs as appropriate for the individual.

Spring set recommendations are for trans-tibial users. For trans-femoral we suggest selecting a spring set one level lower.

Activity	User Weight								
	44-52 100-115	53-59 116-130	60-68 131-150	69-77 151-170	78-88 171-195	89-100 196-220	101-116 221-255	117-125 256-275	kg lbs
3	1	2	3	4	5	6	7	8	Foot spring set
		•	••	•••	••••	•••••	••••••	•••••••	◀ Axial shock spring rate indicated as shown
	1		2		3		4		◀ Axial spring

*Maximum user weight 100 kg and always use one higher spring rate category than shown in Spring selection table.
†Component weight shown is for a size 26cm without foot shell.

Echelon

1 Spring Kits

Foot Size	Foot size	Foot size	Foot size
22-24	25-26	27-28	29-30
Set 1 - 539801S	Set 1 - 539810S	Set 1 - 539819S	Set 1 - 539828S
Set 2 - 539802S	Set 2 - 539811S	Set 2 - 539820S	Set 2 - 539829S
Set 3 - 539803S	Set 3 - 539812S	Set 3 - 539821S	Set 3 - 539830S
Set 4 - 539804S	Set 4 - 539813S	Set 4 - 539822S	Set 4 - 539831S
Set 5 - 539805S	Set 5 - 539814S	Set 5 - 539823S	Set 5 - 539832S
Set 6 - 539806S	Set 6 - 539815S	Set 6 - 539824S	Set 6 - 539833S
Set 7 - 539807S	Set 7 - 539816S	Set 7 - 539825S	Set 7 - 539834S
Set 8 - 539808S	Set 8 - 539817S	Set 8 - 539826S	Set 8 - 539835S

2 Glide Sock:

Size 22-26	531011
Size 27-30	532811

3 Foot Shells:*

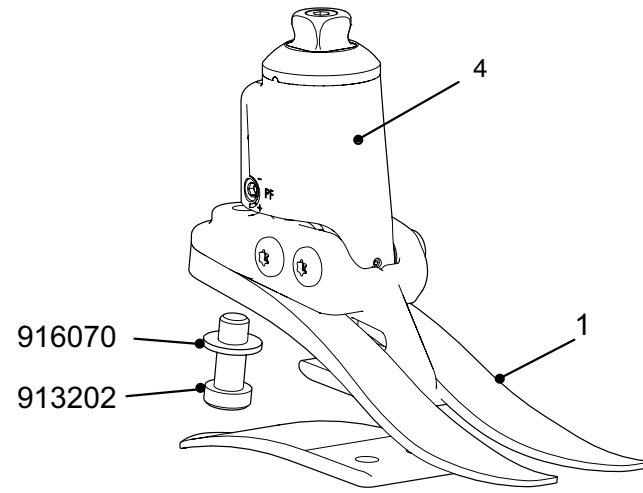
Foot size Left/Right	Narrow	Wide
22L	539038S	-
22R	539039S	-
23L	539040S	-
23R	539041S	-
24L	539042S	-
24R	539043S	-
25L	539044SN	539044SW
25R	539045SN	539045SW
26L	539046SN	539046SW
26R	539047SN	539047SW
27L	539048SN	539048SW
27R	539049SN	539049SW
28L	539050SN	539050SW
28R	539051SN	539051SW
29L	-	539052S
29R	-	539053S
30L	-	539054S
30R	-	539055S

*For dark tone add suffix D

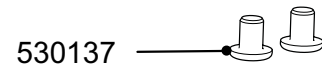
4 Carrier Assembly:

Small 22-24	409263
Medium 25-26	409363
Large 27-30	409463

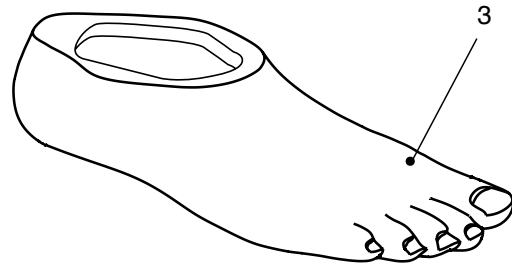
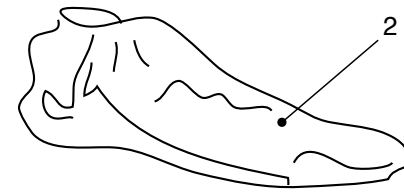
Instructions for use 938280S



916070
913202



530137



Biomimetic hydraulic ankle control and split toe for stability on uneven or sloping terrain.

Features

- Independent hydraulic control of plantar and dorsiflexion
- Biomimetic design simulates natural ankle motion
- Toe up for swing through clearance
- Natural toe position for sitting
- e-carbon heel and toe springs
- Elegant and compact for cosmetic finish
- Sandal Toe Foot Shell

Foot Shell and Glide Sock included.

Specifications

Max. User Weight:	125kg
Activity Level:	(2), 3, (4*)
Size Range:	22cm-30cm
Component Weight:	688g [†]
Build Height:	115mm sizes 22-24 120mm sizes 25-26 125mm sizes 27-30
Heel Height:	10mm



Suitable for submersion

Order Example

Product Code	Size	Side	Width*	Spring Set	Sandal Toe
EC	25	L	N	3	S

*Narrow (N) and Wide (W) available for sizes 25-28 only.[‡]

For dark tone add suffix D.

Example: foot size 25, left, narrow, spring rating 3, sandal toe.

Accessories

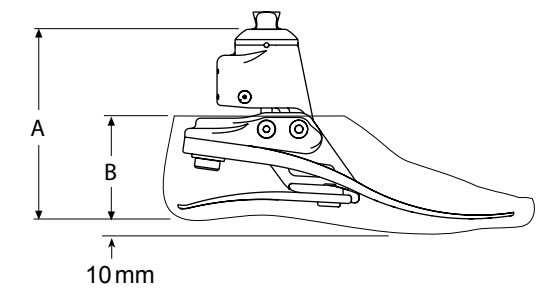
Alignment Wedge 940093



Echelon



Build Height



Size	A	Size	B
22-24	115mm	22-26	65mm
25-26	120mm	27-28	70mm
27-30	125mm	29-30	75mm

Build part numbers are for assembly guidance only and may not be for sale separately.

Activity Level 2 and 4* users who would benefit from this foot will require softer or stiffer springs as appropriate for the individual. Refer to Instructions for Use for further information. Spring set recommendations are for trans-tibial users. For trans-femoral we suggest selecting a spring set one level lower.

Activity
3

User Weight

44-52	53-59	60-68	69-77	78-88	89-100	101-116	117-125	kg
100-115	116-130	131-150	151-170	171-195	196-220	221-255	256-275	lbs
1	2	3	4	5	6	7	8	Spring set

[†]Maximum user weight 100kg and always use one higher spring rate category than shown in the Spring Set Selection table.
[‡]Component weight shown is for a size 26cm without foot shell.

1 Spring Kits:

Foot Size	Foot Size	Foot Size	Foot Size
22-24	25-26	27-28	29-30
Set 1 - 539801S	Set 1 - 539810S	Set 1 - 539819S	Set 1 - 539828S
Set 2 - 539802S	Set 2 - 539811S	Set 2 - 539820S	Set 2 - 539829S
Set 3 - 539803S	Set 3 - 539812S	Set 3 - 539821S	Set 3 - 539830S
Set 4 - 539804S	Set 4 - 539813S	Set 4 - 539822S	Set 4 - 539831S
Set 5 - 539805S	Set 5 - 539814S	Set 5 - 539823S	Set 5 - 539832S
Set 6 - 539806S	Set 6 - 539815S	Set 6 - 539824S	Set 6 - 539833S
Set 7 - 539807S	Set 7 - 539816S	Set 7 - 539825S	Set 7 - 539834S
Set 8 - 539808S	Set 8 - 539817S	Set 8 - 539826S	Set 8 - 539835S

2 Glide Sock:

Size 22-26	531011
Size 27-30	532811

3 Foot Shells:*

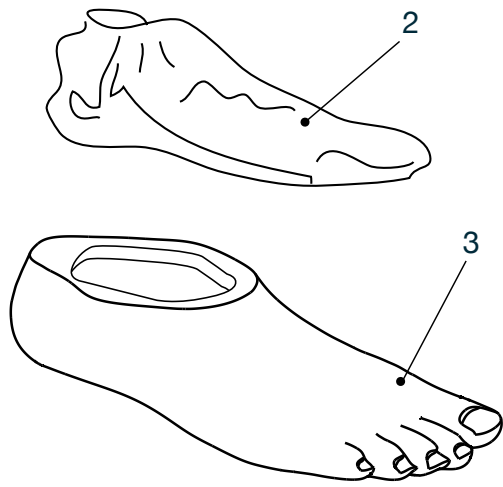
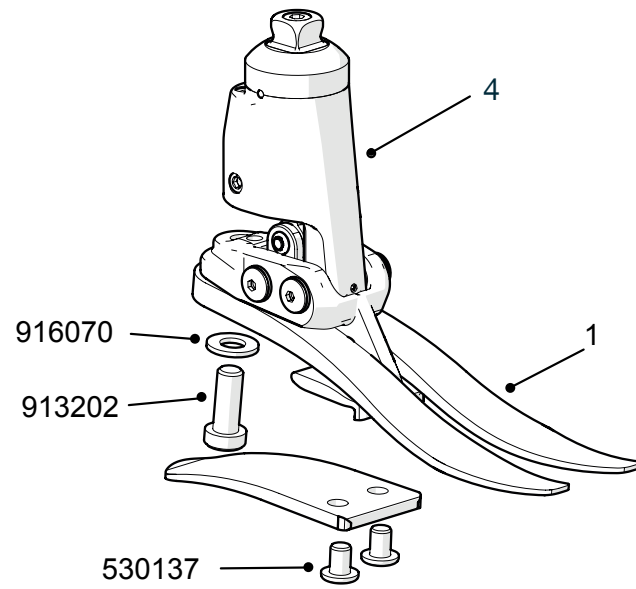
Foot size Left/Right	Narrow	Wide
22L	539038S	-
22R	539039S	-
23L	539040S	-
23R	539041S	-
24L	539042S	-
24R	539043S	-
25L	539044SN	539044SW
25R	539045SN	539045SW
26L	539046SN	539046SW
26R	539047SN	539047SW
27L	539048SN	539048SW
27R	539049SN	539049SW
28L	539050SN	539050SW
28R	539051SN	539051SW
29L	-	539052S
29R	-	539053S
30L	-	539054S
30R	-	539055S

*For dark tone add suffix D

4 Carrier Assembly

Small 22-24	409263ER
Medium 25-26	409363ER
Large 27-30	409463ER

EchelonER Instructions for Use 938449



Biomimetic hydraulic ankle with an extended range of ankle movement for increased stability on uneven and sloping terrain.

Features

- Unique and proven Echelon Technology
- Increased range of movement – 25° compared to Echelon's 9°
- Improved flexibility of footwear choice and the option of barefoot walking
- More natural and comfortable sitting position
- Robust and waterproof design
- Easier and more stable standing and sitting
- Specially designed pyramid interface to allow water to escape from within the tube
- Sandal Toe Foot Shell

Foot Shell and Glide Sock included.

Specifications

Max. User Weight:	125kg*
Activity Level:	(2), 3, (4**)
Size Range:	22cm-30cm
Component Weight:	770g†
Build Height:	142mm sizes 22-24 147mm sizes 25-26 152mm sizes 27-30
Heel Height:	10mm



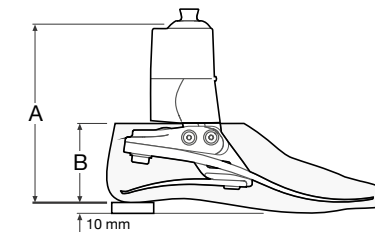
Order Example

Product Code	Size	Side	Width*	Spring Set	Sandal Toe
ECER	25	L	N	3	S

*Narrow (N) and Wide (W) available for sizes 25-28 only.†
For dark tone add suffix D.
Example: foot size 25, left, narrow, spring rating 3, sandal toe.



Build Height



Size	A	Size	B
22-24	142mm	22-26	65mm
25-26	147mm	27-28	70mm
27-30	152mm	29-30	75mm

Accessories

Instructions for Use	938449
User Guide	938450
Alignment Wedge	940093
DF/PF Adjuster Key	940236

Activity Level 2 and 4** users who would benefit from this foot will require softer or stiffer springs as appropriate for the individual. Refer to Instructions for Use for further information. Spring set recommendations are for trans-tibial users. For trans-femoral we suggest selecting a spring set one level lower.

Activity	User Weight							
	44-52	53-59	60-68	69-77	78-88	89-100	101-116	117-125
3	1	2	3	4	5	6	7	8

Spring set

**Maximum user weight 100 kg and always use one higher spring rate category than shown in Spring selection table.
†Component weight shown is for a size 26cm without foot shell.

Build part numbers are for assembly guidance only and may not be for sale separately.

Elite² Schematics

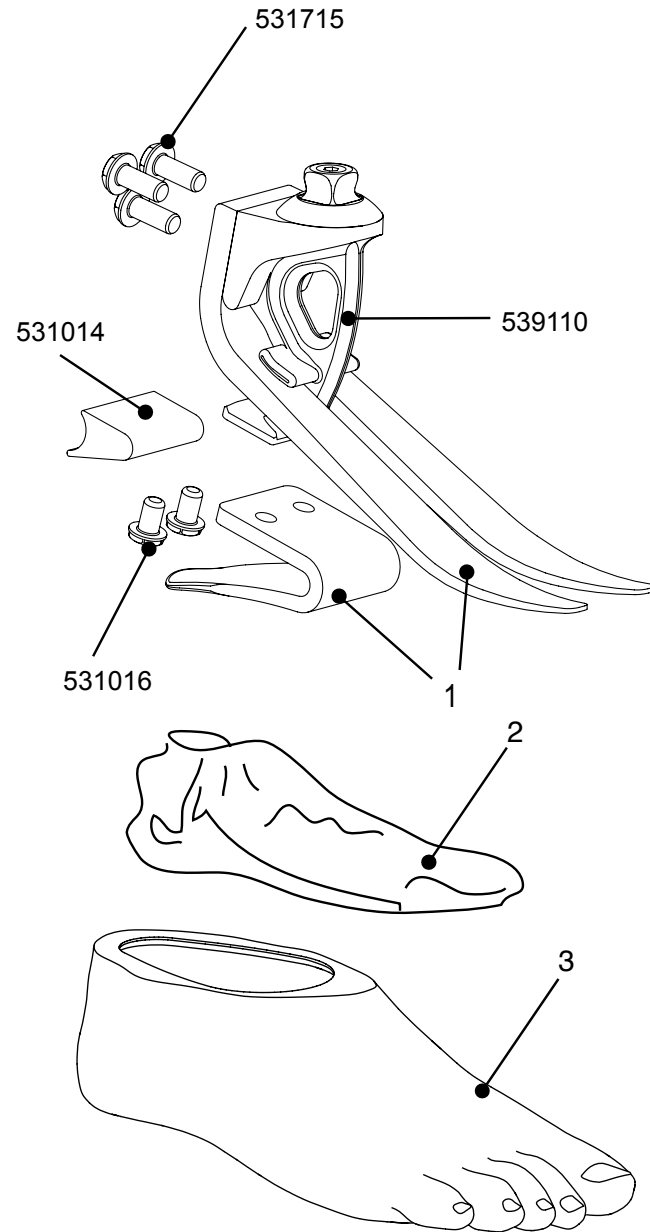
1 Spring Kits			
Foot Size	Foot Size	Foot Size	Foot Size
22-24	25-26	27-28	29-30
Set 1 - 539701S	Set 1 - 539710S	Set 1 - 539719S	Set 1 - Special
Set 2 - 539702S	Set 2 - 539711S	Set 2 - 539720S	Set 2 - Order only
Set 3 - 539703S	Set 3 - 539712S	Set 3 - 539721S	Set 3 - 539730S
Set 4 - 539704S	Set 4 - 539713S	Set 4 - 539722S	Set 4 - 539731S
Set 5 - 539705S	Set 5 - 539714S	Set 5 - 539723S	Set 5 - 539732S
Set 6 - 539706S	Set 6 - 539715S	Set 6 - 539724S	Set 6 - 539733S
Set 7 - 539707S	Set 7 - 539716S	Set 7 - 539725S	Set 7 - 539734S
Set 8 - 539708S	Set 8 - 539717S	Set 8 - 539726S	Set 8 - 539735S
Set 9 - -	Set 9 - 539718S	Set 9 - 539727S	Set 9 - 539736S

2 Glide Sock	
Size	Part Number
Size 22-26	531011
Size 27-30	532811

3 Foot Shells:*		
Foot size Left/Right	Narrow	Wide
22L	539038S	-
22R	539039S	-
23L	539040S	-
23R	539041S	-
24L	539042S	-
24R	539043S	-
25L	539044SN	539044SW
25R	539045SN	539045SW
26L	539046SN	539046SW
26R	539047SN	539047SW
27L	539048SN	539048SW
27R	539049SN	539049SW
28L	539050SN	539050SW
28R	539051SN	539051SW
29L	-	539052S
29R	-	539053S
30L	-	539054S
30R	-	539055S

*For dark tone add suffix D

Instructions for use 938223S



Lightweight activity foot for efficient energy return.

Elite²

Feet and Ankles

Features

- Enhanced e-carbon foot springs
- Ground compliance from Tripod System™
- Split toe
- Lightweight design
- Variable spring stiffness heel wedge
- Low build height and easy to finish
- Sandal Toe Foot shell

Foot Shell and Glide Sock included.



Specifications

Max. User Weight:	166kg
Activity Level:	(2), 3, 4
Size Range:	22cm-30cm
Component Weight:	420g†
Build Height:	130mm
Heel Height:	10mm



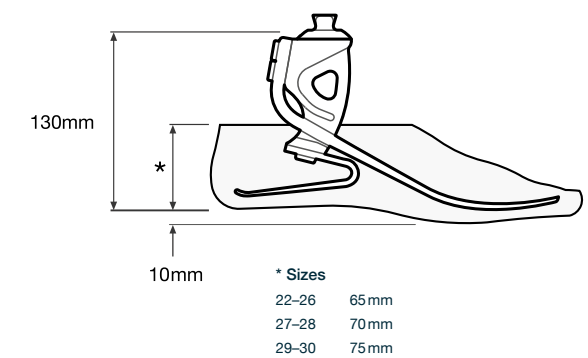
Suitable for submersion

Order Example

Product Code	Size	Side	Width*	Spring Set	Sandal Toe
EL	25	L	N	5	S

*Narrow (N) and Wide (W) available for sizes 25-28 only.†
For dark tone add suffix D. Foot example: Elite2, size 25, left, narrow, spring rating 5, sandal toe.

Build Height



Impact Activity	User Weight									
	44-52 100-115	53-59 116-130	60-68 131-150	69-77 151-170	78-88 171-195	89-100 196-220	101-116 221-255	117-130 256-285	131-147 286-325	148-166 326-365 lbs
Low 3	1	1	2	3	4	5	6	7	8	9
Mod 4	1	2	3	4	5	6	7	8	9	-
High 4	2	3	4	5	6	7	8	9	-	-

Spring set recommendations are for trans-tibial users. For trans-femoral use we suggest selecting a spring set one level lower.

†Component weight shown is for a size 26cm without foot shell.

Build part numbers are for assembly guidance only and may not be for sale separately.

4
3
2

Foot spring set

1 Spring Kits

Foot Size	Foot Size	Foot Size	Foot Size
22-24	25-26	27-28	29-30
Set 1 - 539701S	Set 1 - 539710S	Set 1 - 539719S	Set 1 - Special
Set 2 - 539702S	Set 2 - 539711S	Set 2 - 539720S	Set 2 - Order only
Set 3 - 539703S	Set 3 - 539712S	Set 3 - 539721S	Set 3 - 539730S
Set 4 - 539704S	Set 4 - 539713S	Set 4 - 539722S	Set 4 - 539731S
Set 5 - 539705S	Set 5 - 539714S	Set 5 - 539723S	Set 5 - 539732S
Set 6 - 539706S	Set 6 - 539715S	Set 6 - 539724S	Set 6 - 539733S
Set 7 - 539707S	Set 7 - 539716S	Set 7 - 539725S	Set 7 - 539734S
Set 8 - 539708S	Set 8 - 539717S	Set 8 - 539726S	Set 8 - 539735S
Set 9 - -	Set 9 - 539718S	Set 9 - 539727S	Set 9 - 539736S

2 Glide Sock

Size 22-26	531011
Size 27-30	532811

3 Foot Shells:*

Foot size	Left/Narrow	Wide
22L	539038S	-
22R	539039S	-
23L	539040S	-
23R	539041S	-
24L	539042S	-
24R	539043S	-
25L	539044SN	539044SW
25R	539045SN	539045SW
26L	539046SN	539046SW
26R	539047SN	539047SW
27L	539048SN	539048SW
27R	539049SN	539049SW
28L	539050SN	539050SW
28R	539051SN	539051SW
29L	-	539052S
29R	-	539053S
30L	-	539054S
30R	-	539055S

*For dark tone add suffix D

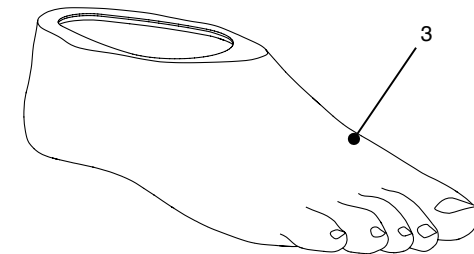
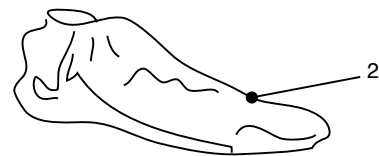
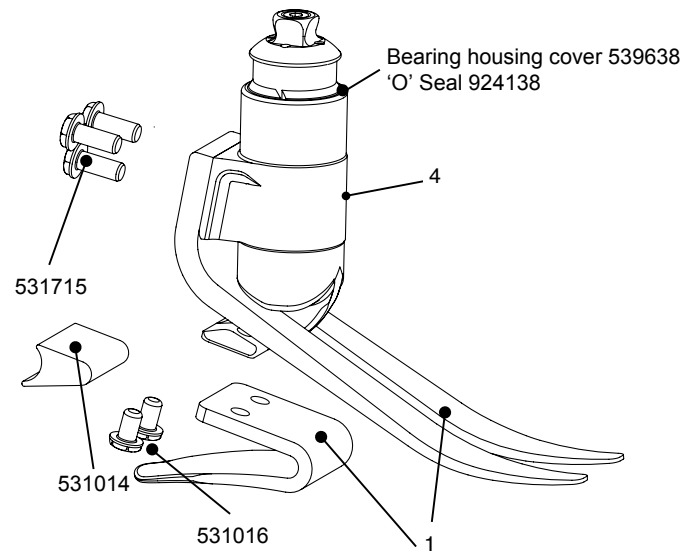
4 Carrier assembly

Axial Shock Springs (not shown)

Rate 1 - 539138	Rate 1 - 539058
Rate 2 - 539238	Rate 2 - 539059
Rate 3 - 539338	Rate 3 - 539060
Rate 4 - 539438	Rate 4 - 539061

Instructions for use

938289S



Active foot with integral shock absorption, rotation and flexibility.

Elite^{VT}

Features

- Precision titanium spring for vertical compression and axial rotation
- Progressive response to axial loading
- Controlled and efficient energy return
- Independent e-carbon foot springs
- Variable spring stiffness heel wedge
- Compact, low maintenance and cosmetic
- Sandal Toe Foot shell

Foot Shell and Glide Sock included.



Specifications

Max. User Weight:	166kg
Activity Level:	3-4
Max. Rotation:	+/-15deg
Size Range:	22cm-30cm
Component Weight:	750g [†]
Build Height:	170mm
Heel Height:	10mm



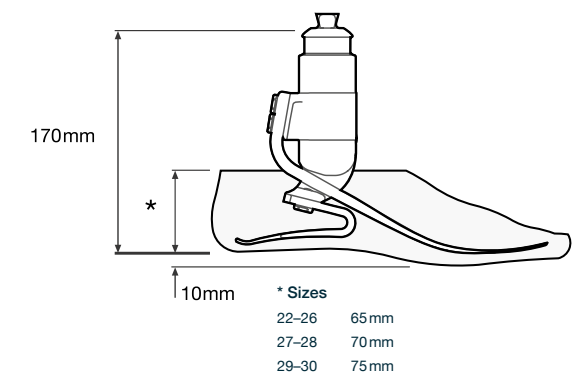
Suitable for outdoor use

Order Example

Product Code	Size	Side	Width*	Spring Set	Shock Spring	Sandal Toe
EVT	25	L	N	7	3	S

*Narrow (N) and Wide (W) available for sizes 25-28 only.[□]
For dark tone add suffix D. Foot example: EliteVT, size 25, left, narrow, spring set 7, shock spring 3, sandal toe.

Build Height



Build part numbers are for assembly guidance only and may not be for sale separately.

Impact Activity	User Weight									
	44-52 100-115	53-59 116-130	60-68 131-150	69-77 151-170	78-88 171-195	89-100 196-220	101-116 221-255	117-130 256-285	131-147 286-325	148-166 326-365
Low 3	1	1	2	3	4	5	6	7	8	9
Mod 4	1	2	3	4	5	6	7	8	9	-
High 4	2	3	4	5	6	7	8	9	-	-

Spring set recommendations are for trans-tibial users. For trans-femoral use we suggest selecting a spring set one level lower.

◀ Axial shock rate spring indicated as shown
◀ Axial shock spring

[†]Component weight shown is for a size 26cm without foot shell.

Epirus Schematics

1 Spring Kits			
Foot Size	Foot Size	Foot Size	Foot Size
22-24	25-26	27-28	29-30
Set 1 - 539801S	Set 1 - 539810S	Set 1 - 539819S	Set 1 - 539828S
Set 2 - 539802S	Set 2 - 539811S	Set 2 - 539820S	Set 2 - 539829S
Set 3 - 539803S	Set 3 - 539812S	Set 3 - 539821S	Set 3 - 539830S
Set 4 - 539804S	Set 4 - 539813S	Set 4 - 539822S	Set 4 - 539831S
Set 5 - 539805S	Set 5 - 539814S	Set 5 - 539823S	Set 5 - 539832S
Set 6 - 539806S	Set 6 - 539815S	Set 6 - 539824S	Set 6 - 539833S
Set 7 - 539807S	Set 7 - 539816S	Set 7 - 539825S	Set 7 - 539834S
Set 8 - 539808S	Set 8 - 539817S	Set 8 - 539826S	Set 8 - 539835S

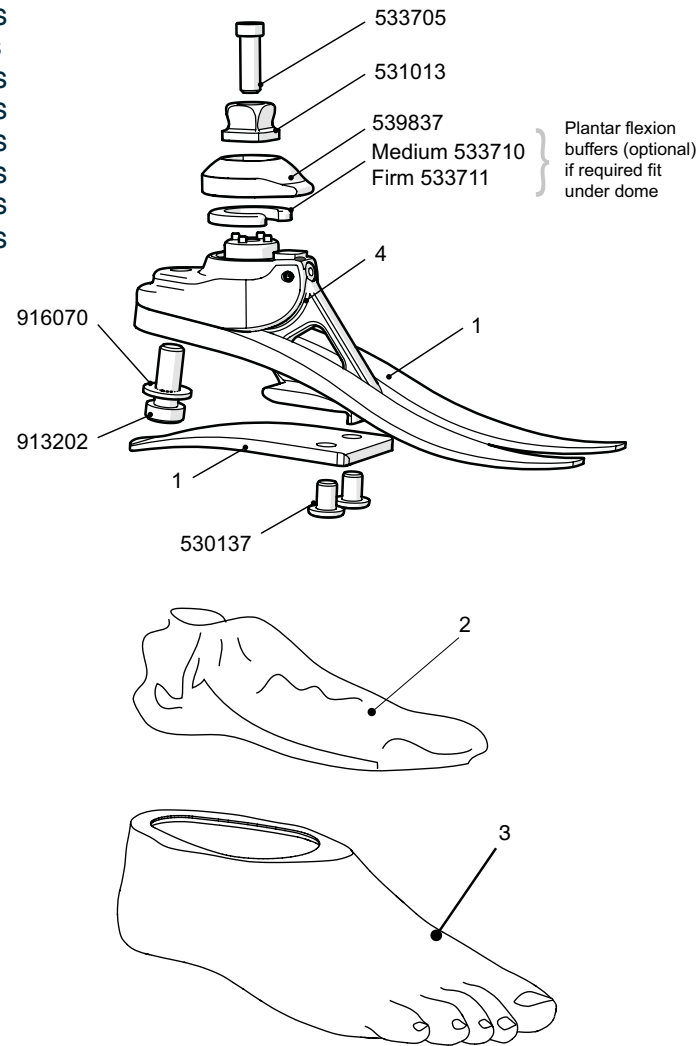
2 Glide Sock	
Sizes	Part Number
Sizes 22 to 26	531011
Sizes 27 to 30	532811

3 Foot Shells:*		
Foot size Left/Right	Narrow	Wide
22L	539038S	-
22R	539039S	-
23L	539040S	-
23R	539041S	-
24L	539042S	-
24R	539043S	-
25L	539044SN	539044SW
25R	539045SN	539045SW
26L	539046SN	539046SW
26R	539047SN	539047SW
27L	539048SN	539048SW
27R	539049SN	539049SW
28L	539050SN	539050SW
28R	539051SN	539051SW
29L	-	539052S
29R	-	539053S
30L	-	539054S
30R	-	539055S

*For dark tone add suffix D

4 Carrier Assembly	
Size	Part Number
Small 22-24	539437
Medium 25-26	539537
Large 27-30	539637

Instructions for use	Part Number
Instructions for use	938276S



Low profile foot with ankle joint and split toe.

Epirus



Features

- Multi-axial ankle motion with tripod stability
- Independent e-carbon foot springs
- Choice of PF stiffness
- Ground compliance and energy efficient response
- Sandal Toe Foot Shell

Foot Shell and Glide Sock included.

Specifications

Max. User Weight:	125kg
Activity Level:	(2), 3, (4*)
Size Range:	22cm-30cm
Component Weight:	400g [†]
Build Height:	85mm
Heel Height:	10mm



Suitable for outdoor use

Order Example

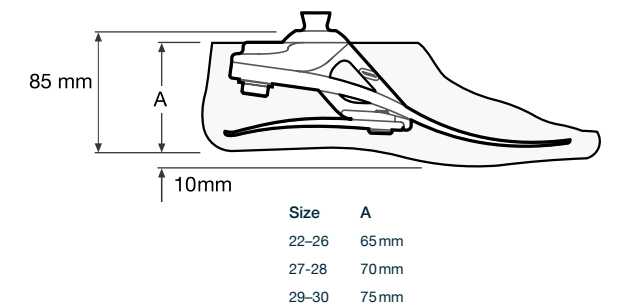
Product Code	Size	Side	Width*	Spring Set	Sandal Toe
EP	25	L	N	3	S

*Narrow (N) and Wide (W) available for sizes 25-28 only.[‡]

For dark tone add suffix D.

Example: foot size 25, left, narrow, spring rating 3, sandal toe.

Build Height



Build part numbers are for assembly guidance only and may not be for sale separately.

Activity Level 2 and 4* users who would benefit from this foot will require softer or stiffer springs as appropriate for the individual. Refer to Instructions for Use for further information. Spring set recommendations are for trans-tibial users. For trans-femoral we suggest selecting a spring set one level lower.

Activity	User Weight							
	44-52	53-59	60-68	69-77	78-88	89-100	101-116	117-125
	kg	kg	kg	kg	kg	kg	kg	kg
3	1	2	3	4	5	6	7	8
	Spring set							

[†]Maximum user weight 100kg and always use one higher spring rate category than shown in the Spring Set Selection table.

[‡]Component weight shown is for a size 26cm without foot shell.



Esprit Schematics

1 Spring Kits

Foot Size	Foot Size	Foot Size	Foot Size
22-24	25-26	27-28	29-30
Set 1 - 539801S	Set 1 - 539810S	Set 1 - 539819S	Set 1 - 539828S
Set 2 - 539802S	Set 2 - 539811S	Set 2 - 539820S	Set 2 - 539829S
Set 3 - 539803S	Set 3 - 539812S	Set 3 - 539821S	Set 3 - 539830S
Set 4 - 539804S	Set 4 - 539813S	Set 4 - 539822S	Set 4 - 539831S
Set 5 - 539805S	Set 5 - 539814S	Set 5 - 539823S	Set 5 - 539832S
Set 6 - 539806S	Set 6 - 539815S	Set 6 - 539824S	Set 6 - 539833S
Set 7 - 539807S	Set 7 - 539816S	Set 7 - 539825S	Set 7 - 539834S
Set 8 - 539808S	Set 8 - 539817S	Set 8 - 539826S	Set 8 - 539835S

2 Glide Sock

Sizes 22 to 26	531011
Sizes 27 to 30	532811

3 Foot Shells:*

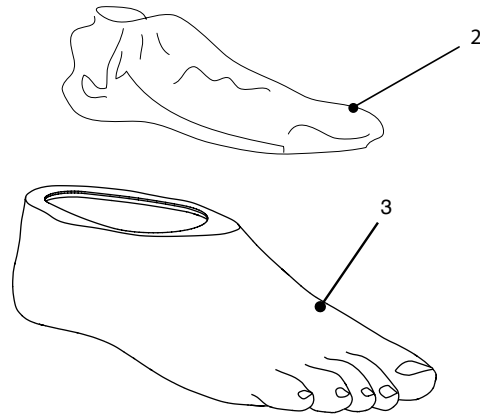
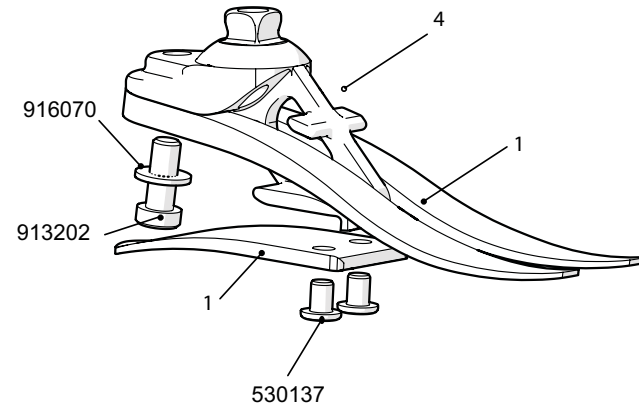
Foot size Left/Right	Narrow	Wide
22L	539038S	-
22R	539039S	-
23L	539040S	-
23R	539041S	-
24L	539042S	-
24R	539043S	-
25L	539044SN	539044SW
25R	539045SN	539045SW
26L	539046SN	539046SW
26R	539047SN	539047SW
27L	539048SN	539048SW
27R	539049SN	539049SW
28L	539050SN	539050SW
28R	539051SN	539051SW
29L	-	539052S
29R	-	539053S
30L	-	539054S
30R	-	539055S

*For dark tone add suffix D

4 Carrier Assembly

Small 22-24	539201
Medium 25-26	539210
Large 27-30	539219

Instructions for use 938264S



Low profile foot with split toe springs for energy response.

Features

- Low profile foot with e-carbon springs
- Lightweight and easy to finish
- Tripod design with split toe
- Ideal for longer residual limbs or where additional components are required
- Sandal Toe Foot Shell

Foot Shell and Glide Sock included.

Specifications

Max. User Weight:	125kg
Activity Level:	(2), 3, (4*)
Size Range:	22cm-30cm
Component Weight:	317g [†]
Build Height:	65mm size 22-24 70mm size 25-26 75mm size 27-30
Heel Height:	10mm



Suitable for submersion

Order Example

Product Code	Size	Side	Width*	Spring Set	Sandal Toe
ESP	25	L	N	3	S

*Narrow (N) and Wide (W) available for sizes 25-28 only.[‡]
For dark tone add suffix D.

Example: foot size 25, left, narrow, spring rating 3, sandal toe.

Build Height

Size	A	Size	B
22-24	65mm	22-26	65mm
25-26	70mm	27-28	70mm
27-30	75mm	29-30	75mm

Esprit



Build part numbers are for assembly guidance only and may not be for sale separately.

Activity Level 2 and 4* users who would benefit from this foot will require softer or stiffer springs as appropriate for the individual. Refer to Instructions for Use for further information. Spring set recommendations are for trans-tibial users. For trans-femoral we suggest selecting a spring set one level lower.

Activity	User Weight							
	44-52	53-59	60-68	69-77	78-88	89-100	101-116	117-125
3	1	2	3	4	5	6	7	8

Spring set

[†]Component weight shown is for a size 26cm without foot shell.

[‡]Maximum user weight 100kg and always use one higher spring rate category than shown in the Spring Set Selection table.



Elite Blade Schematics

1 Spring Kits

Foot Size	Foot Size	Foot Size	Foot Size
22-24	25-26	27-28	29-30
Set 1 - 539901S	Set 1 - 539610S	Set 1 - 539619S	Set 1 - Special
Set 2 - 539902S	Set 2 - 539611S	Set 2 - 539620S	Set 2 - Order only
Set 3 - 539903S	Set 3 - 539612S	Set 3 - 539621S	Set 3 - 539630S
Set 4 - 539904S	Set 4 - 539613S	Set 4 - 539622S	Set 4 - 539631S
Set 5 - 539905S	Set 5 - 539614S	Set 5 - 539623S	Set 5 - 539632S
Set 6 - 539906S	Set 6 - 539615S	Set 6 - 539624S	Set 6 - 539633S
Set 7 - 539907S	Set 7 - 539616S	Set 7 - 539625S	Set 7 - 539634S
Set 8 - -	Set 8 - 539617S	Set 8 - 539626S	Set 8 - 539635S
Set 9 - -	Set 9 - 539618S	Set 9 - 539627S	Set 9 - 539636S

2 Glide Sock

Size 22-26	531011
Size 27-30	532811

3 Foot Shells:*

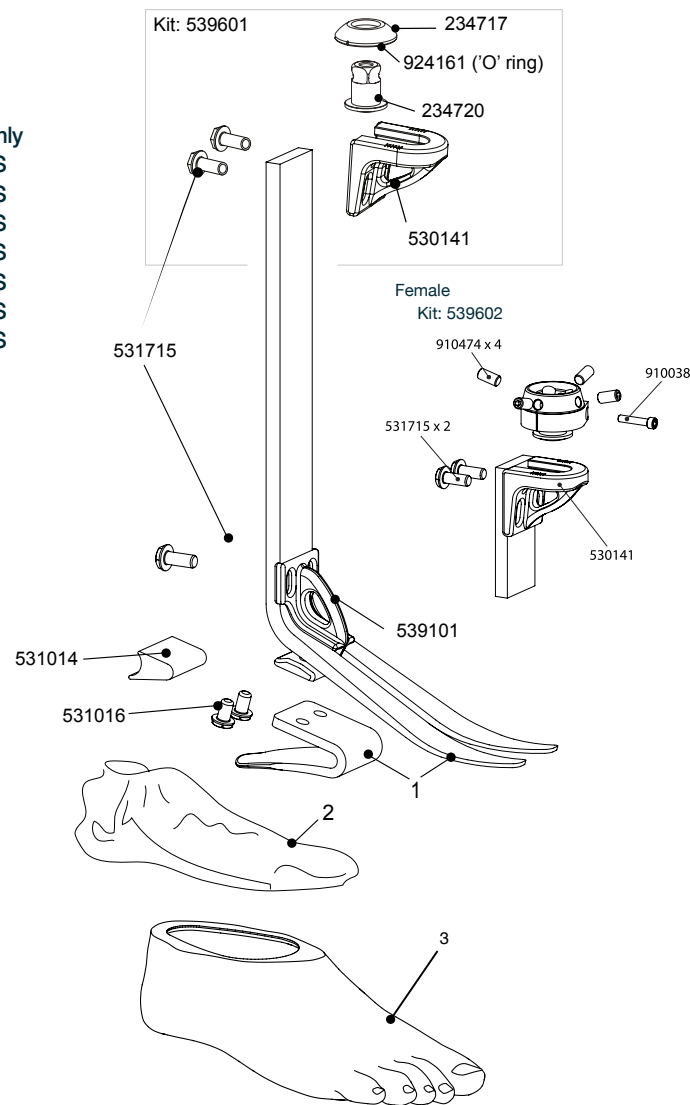
Foot size Left/Right	Narrow	Wide
22L	539038S	-
22R	539039S	-
23L	539040S	-
23R	539041S	-
24L	539042S	-
24R	539043S	-
25L	539044SN	539044SW
25R	539045SN	539045SW
26L	539046SN	539046SW
26R	539047SN	539047SW
27L	539048SN	539048SW
27R	539049SN	539049SW
28L	539050SN	539050SW
28R	539051SN	539051SW
29L	-	539052S
29R	-	539053S
30L	-	539054S
30R	-	539055S

*For dark tone add suffix D

Fitting Clamp:

Elite Blade Cutting Jig 941255
Use also as cutting and drilling guide. Available separately.

Instructions For Use 938295S



Flexible and lightweight blade for high energy return.

Features

- e-carbon foot with independent springs
- Lightweight with dynamic forward progression
- Spring range from low to high impact
- Variable spring stiffness heel wedge
- Male or female sliding & rotating housings
- Sandal Toe Foot shell

Foot Shell and Glide Sock included.

Specifications

Max. User Weight:	166kg
Activity Level:	3-4
Size Range:	22cm-30cm
Component Weight:	500g [†]
Build Height:	200mm - 365mm (min - max)
Heel Height:	10mm



Suitable for submersion

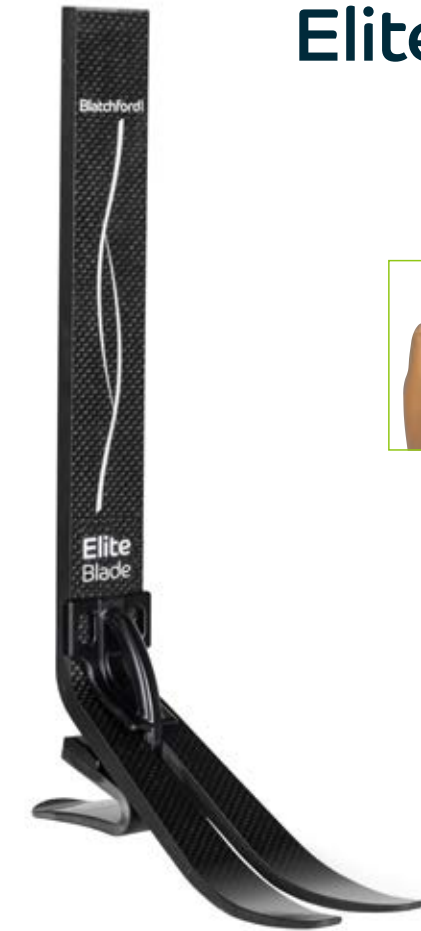
Order Example

Product Code	Size	Side	Width*	Spring Set	Sandal Toe	+ Top Housing
EB	25	L	N	5	S	539601: Blade top housing TT male - sliding & rotating 539602: Blade top housing TT female - sliding & rotating

*Narrow (N) and Wide (W) available for sizes 25-28 only.[†]
For dark tone add suffix D. Foot examples: Elite Blade, size 25 left, narrow, spring rating 5, sandal toe.

Accessories

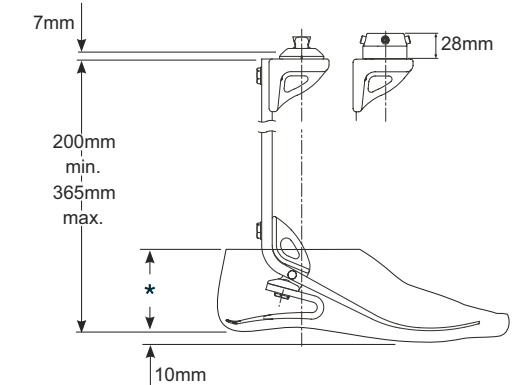
Foot Shell Cover	539087	
Top housing male	539601	
Top housing female	539602	



Elite Blade



Build Height



* Sizes

22-26	65mm
27-28	70mm
29-30	75mm

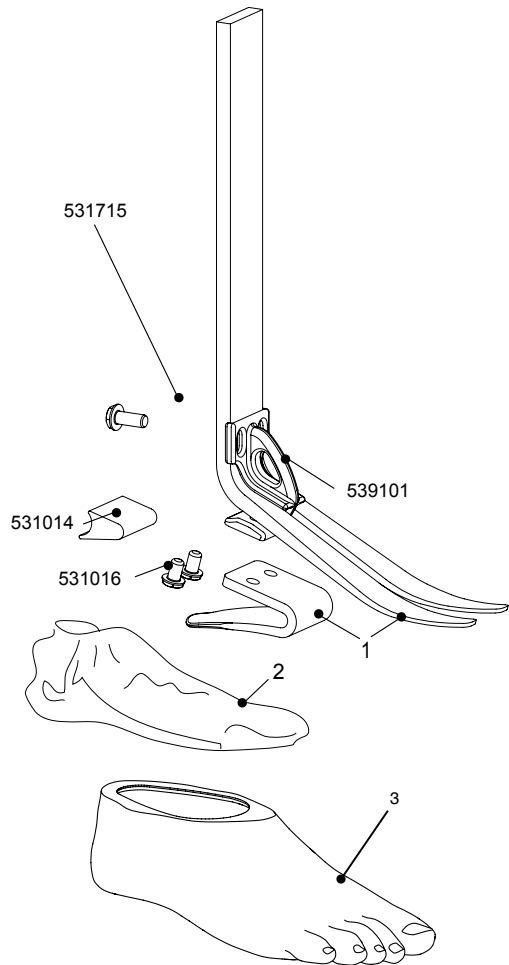


Build part numbers are for assembly guidance only and may not be for sale separately.

Impact Activity	User Weight											Foot spring set
	44-52 100-115	53-59 116-130	60-68 131-150	69-77 151-170	78-88 171-195	89-100 196-220	101-116 221-255	117-130 256-285	131-147 286-325	148-166 326-365	kg lbs	
Low 3	1	1	2	3	4	5	6	7	8	9		
Mod 4	1	2	3	4	5	6	7	8	9	-		
High 4	2	3	4	5	6	7	8	9	-	-		

[†]Component weight shown is for a size 26cm without foot shell.

Elite Blade^{VT} Schematics



1 Spring Kits			
Foot Size	Foot Size	Foot Size	Foot Size
22-24	25-26	27-28	29-30
Set 1 - 539901S	Set 1 - 539610S	Set 1 - 539619S	Set 1 - Special
Set 2 - 539902S	Set 2 - 539611S	Set 2 - 539620S	Set 2 - Order only
Set 3 - 539903S	Set 3 - 539612S	Set 3 - 539621S	Set 3 - 539630S
Set 4 - 539904S	Set 4 - 539613S	Set 4 - 539622S	Set 4 - 539631S
Set 5 - 539905S	Set 5 - 539614S	Set 5 - 539623S	Set 5 - 539632S
Set 6 - 539906S	Set 6 - 539615S	Set 6 - 539624S	Set 6 - 539633S
Set 7 - 539907S	Set 7 - 539616S	Set 7 - 539625S	Set 7 - 539634S
Set 8 - -	Set 8 - 539617S	Set 8 - 539626S	Set 8 - 539635S
Set 9 - -	Set 9 - 539618S	Set 9 - 539627S	Set 9 - 539636S

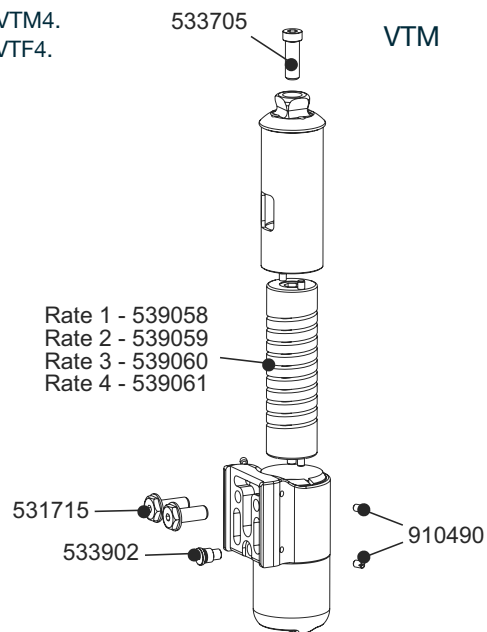
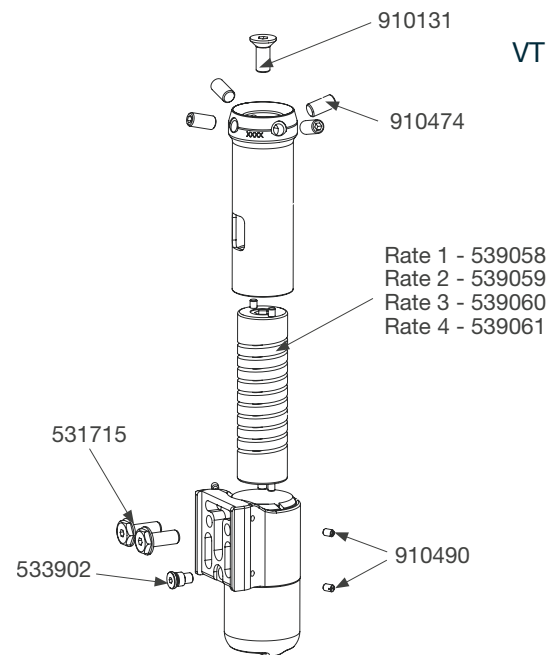
2 Glide Sock	
Size 22-26	531011
Size 27-30	532811

3 Foot Shells:*		
Foot size Left/Right	Narrow	Wide
22L	539038S	-
22R	539039S	-
23L	539040S	-
23R	539041S	-
24L	539042S	-
24R	539043S	-
25L	539044SN	539044SW
25R	539045SN	539045SW
26L	539046SN	539046SW
26R	539047SN	539047SW
27L	539048SN	539048SW
27R	539049SN	539049SW
28L	539050SN	539050SW
28R	539051SN	539051SW
29L	-	539052S
29R	-	539053S
30L	-	539054S
30R	-	539055S

Fitting clamp - 941255 fitting clamp for alignment and set-up. Use also as cutting and drilling guide. Available separately

VT (male): VTM1, VTM2, VTM3, VTM4.
VT (female): VTF1, VTF2, VTF3, VTF4.
VT cutting jig - 941256

Instructions for Use:
Elite Blade 938295S
VTM 938312
VTF 938319
Cutting Jig 938314



Build part numbers are for assembly guidance only and may not be for sale separately.

Flexible blade with shock absorption and rotation device.

Features

- Powerful and dynamic forward progression
- Precision machined spring for vertical compression and axial rotation
- Controlled and efficient energy return
- Independent e-carbon foot springs
- Variable spring stiffness heel wedge
- Slimline design is easy to finish
- Sandal Toe Foot shell

Foot Shell and Glide Sock included.

Specifications

Max. User Weight:	166kg
Activity Level:	3-4
Max. Rotation:	+/-15deg
Size Range:	22cm-30cm
Component Weight:	1030g [†]
Build Height VTM:	215mm - 380mm (min - max)
Build Height VTF:	233mm - 398mm (min - max)
Heel Height:	10mm



Order Example

Product Code	Size	Side	Width*	Spring Selection	Sandal Toe	VT Component
EB	25	L	N	5	S	Male VTM1 or VTF1 VTM2 or VTF2 VTM3 or VTF3 VTM4 or VTF4

Please note this product will be supplied as two items.

*Narrow (N) and Wide (W) available for sizes 25-28 only.
For dark tone add suffix D. Foot example: Elite BladeVT, size 25, left, narrow, spring rating 5, sandal toe.

Accessories

Foot Shell Cover 539087



Impact Activity	User Weight											
	44-52 100-115	53-59 116-130	60-68 131-150	69-77 151-170	78-88 171-195	89-100 196-220	101-116 221-255	117-130 256-285	131-147 286-325	148-166 326-365	kg	lbs
Low 3	1	1	2	3	4	5	6	7	8	9		
Mod 4	1	2	3	4	5	6	7	8	9	-		
High 4	2	3	4	5	6	7	8	9	-	-		
	1	2	3	4								

Spring set recommendations are for trans-tibial users. For trans-femoral use we suggest selecting a spring set one level lower.

▲ Axial shock rate spring indicated as shown
▲ Axial shock spring

[†]Component weight shown is for a size 26cm without foot shell.

Elite Blade^{VT}

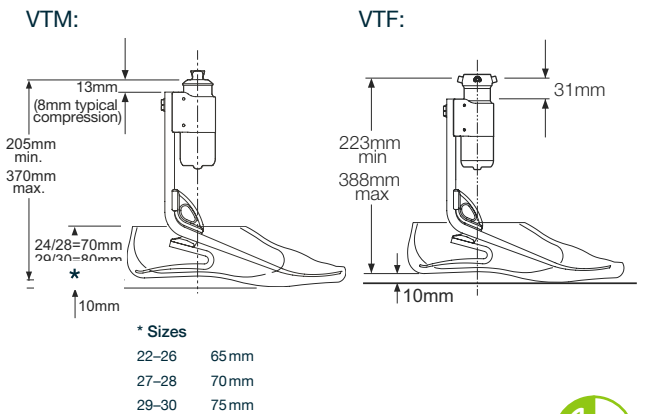


Tools



Cutting/drill & fitting jig VT 941256 Blade 941255

Build Height



Blade^{XT} Schematics

1 BXT Heel Spring Kits

Include the overmoulded cover, fasteners and heel wedge.

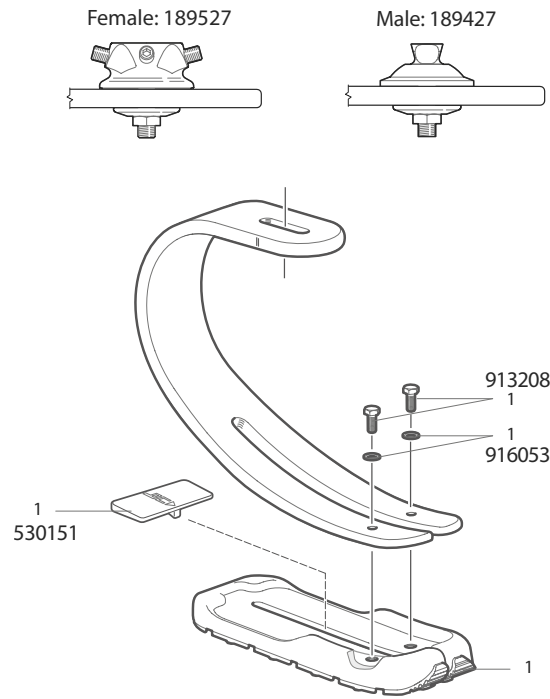
Spring Category	Heel Type	Part No.
1, 2	Soft Sports	539083SS
3, 4, 5	Medium Sports	539083MS
6, 7	Firm Sports	539083FS
8, 9	Extra Firm	539083EFS

Proximal Adapter

Male	189427
Female	189527

Instructions for use 938345

Build part numbers are for assembly guidance only and may not be for sale separately.



Sports blade with powerful twin toe spring and traction heel for postural support and grip.

Blade^{XT}

Features

- Ideal for cross training, running, bat and ball sports
- Controlled acceleration and deceleration
- Ease of alignment incl. A/P slide
- Variable spring stiffness heel wedge
- Heel stiffness adjustment

Specifications

Max. User Weight:	166kg
Activity Level:	4
Spring range:	1-9
Component Weight:	850g cat. 6
Build Height:	250mm (female pyramid) 230mm (male pyramid)



Suitable for submersion

Order Example

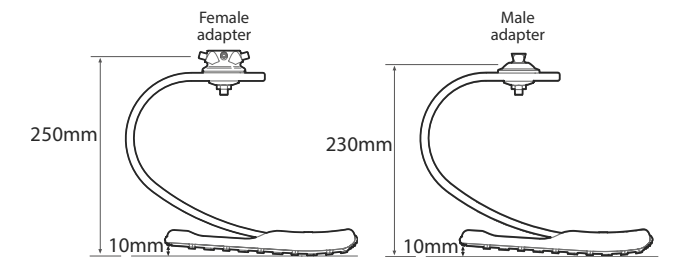
Product Code	Spring Set	Sole	Adapter Type
BXTAG	3	S	F

Foot example: BladeXT, spring rating 3, sport sole, female adapter

Product Code	Spring Set	Sole	Adapter Type
BXTAG	4	S	M

Foot example: BladeXT, spring rating 4, sport sole, male adapter

Build Height



User	Activity	User Weight										Foot spring set		
		44-52	53-59	60-68	69-77	78-88	89-100	101-116	117-130	131-147	148-166			
		kg												
		lbs												
Jogger	4	1	2	3	4	5	6	7	8	9	9			
Runner	4	2	3	4	5	6	7	8	9	9	-			

Important: For higher impact users, do not exceed the weight limit for individual springs.

Javelin Schematics

1 Spring Kits:

Foot Size	Foot Size	Foot Size	Foot Size
22-24	25-26	27-28	29-30
Set 1 - 539301S	Set 1 - 539510S	Set 1 - 539519S	Special
Set 2 - 539302S	Set 2 - 539511S	Set 2 - 539520S	Order Only
Set 3 - 539303S	Set 3 - 539512S	Set 3 - 539521S	Set 3 - 539530S
Set 4 - 539304S	Set 4 - 539513S	Set 4 - 539522S	Set 4 - 539531S
Set 5 - 539305S	Set 5 - 539514S	Set 5 - 539523S	Set 5 - 539532S
Set 6 - 539306S	Set 6 - 539515S	Set 6 - 539524S	Set 6 - 539533S
Set 7 - 539307S	Set 7 - 539516S	Set 7 - 539525S	Set 7 - 539534S
Set 8 - 539308S	Set 8 - 539517S	Set 8 - 539526S	Set 8 - 539535S
Set 9 - -	Set 9 - 539518S	Set 9 - 539527S	Set 9 - 539536S

2 Glide Sock

Sizes 22 to 26	531011
Sizes 27 to 30	532811

3 Foot Shells:*

Foot size Left/Right	Narrow	Wide
22L	539038S	-
22R	539039S	-
23L	539040S	-
23R	539041S	-
24L	539042S	-
24R	539043S	-
25L	539044SN	539044SW
25R	539045SN	539045SW
26L	539046SN	539046SW
26R	539047SN	539047SW
27L	539048SN	539048SW
27R	539049SN	539049SW
28L	539050SN	539050SW
28R	539051SN	539051SW
29L	-	539052S
29R	-	539053S
30L	-	539054S
30R	-	539055S

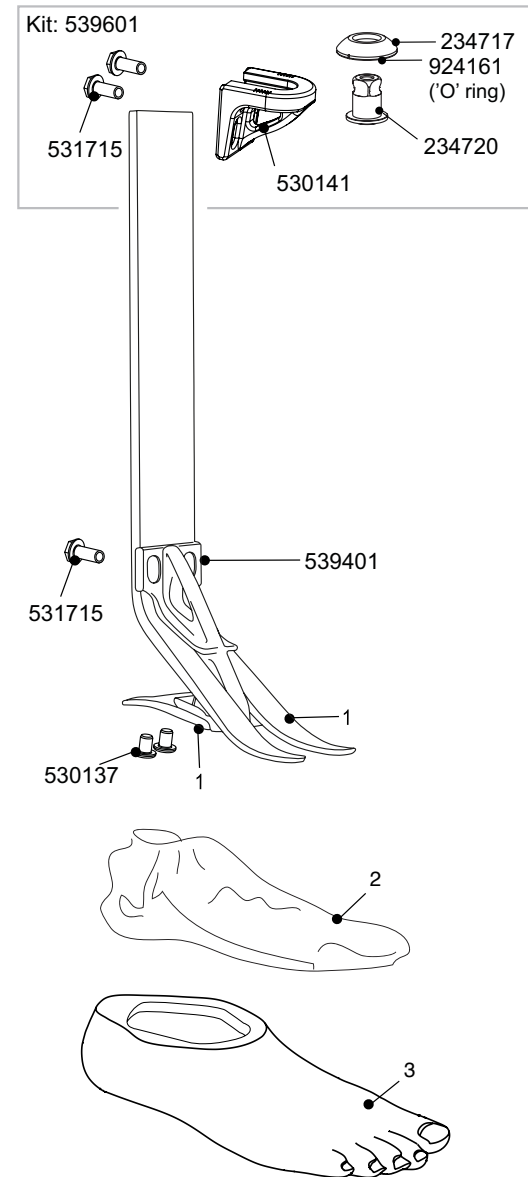
*For dark tone add suffix D

Fitting clamp - 941255 fitting clamp for alignment and set-up. Use also as cutting and drilling guide. Available separately.

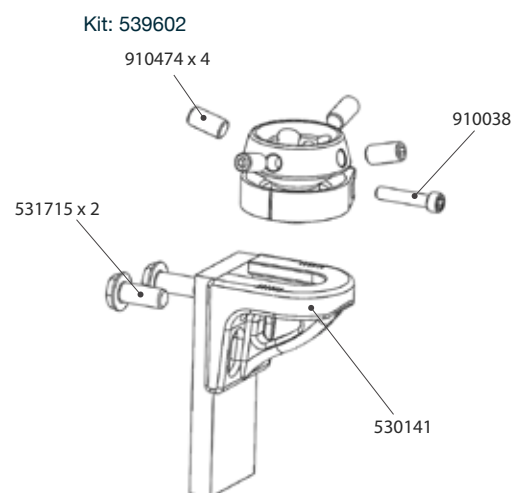
Tools:

Cutting/Drill & Jig Standard Instructions For Use	941255 938306S
---	-------------------

Male



Female



Lightweight blade, ideal for moderate impact sports and activities.

Features

- Small sizes available
- e-carbon foot with independent springs
- Dynamic pylon enhances shock absorption
- Easy to finish cosmetically
- Sandal Toe Foot Shell

Foot Shell and Glide Sock included.

Specifications

Max. User Weight:	166kg
Activity Level:	(2), 3, (4*)
Size Range:	22cm-30cm
Component Weight:	444g [†]
Build Height:	200mm - 365mm (min - max)
Heel Height:	10mm



Order Example

Product Code	Size	Side	Width*	Spring Set	Sandal Toe	+ Top Housing
JAV	25	L	N	3	S	539601: Blade top housing TT male - sliding & rotating 539602: Blade top housing TT female - sliding & rotating

*Narrow (N) and Wide (W) available for sizes 25-28 only.[‡]

For dark tone add suffix D.

Example: foot size 25, left, narrow, spring rating 3, sandal toe, adapter.

Accessories

Foot Shell Cover	539087	
Top housing male	539601	
Top housing female	539602	

Activity Level 2 users who would benefit from this foot will require softer springs as appropriate for the individual. Refer to Instructions for Use for further information.

Spring set recommendations are for trans-tibial users. For trans-femoral we suggest selecting a spring set one level lower.

Activity	User Weight									Spring set	
	44-52	53-59	60-68	69-77	78-88	89-100	101-116	117-130	131-147	148-166 kg	
	100-115	116-130	131-150	151-170	171-195	196-220	221-255	256-285	286-325	326-365 lbs	
3	1	1	2	3	4	5	6	7	8	9	

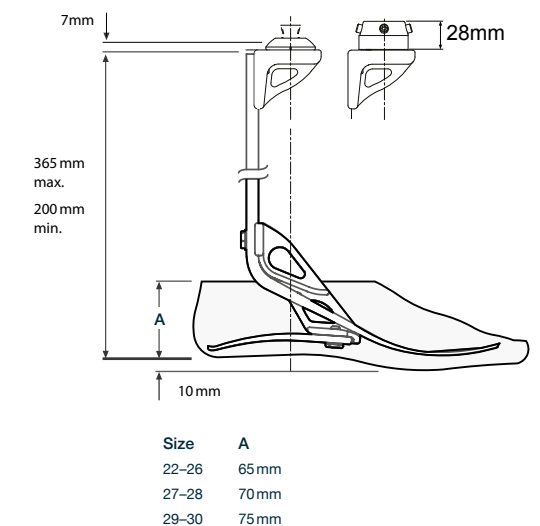
[†]Maximum user weight 100 kg and always use one higher spring rate category than shown in Spring selection table.

[‡]Component weight shown is for a size 26cm without foot shell.

Javelin



Build Height



Build part numbers are for assembly guidance only and may not be for sale separately.

Avalon^{K2} Schematics

1. Glide Sock, Sizes 22-30

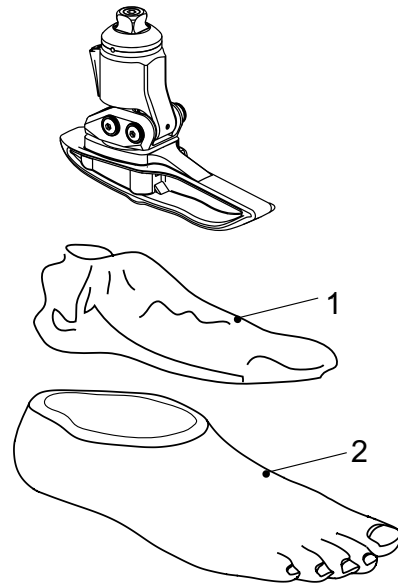
405815

2. Foot Shell*

Left	Part Number	Right	Part Number
22L	539020	22R	539021
23L	539022	23R	539023
24L	539024	24R	539025
25L	539026	25R	539027
26L	539028	26R	539029
27L	539030	27R	539031
28L	539032	28R	539033
29L	539034	29R	539035
30L	539036	30R	539037

*For dark tone add suffix D

Hex Key 2.5mm AF	940234
Instructions for use	938327



Hydraulic ankle/foot with ergonomic keel for better posture, stability and joint position.

Features

- Ergonomic keel for ease of rollover
- Increased range of motion to enable greater sit-stand transfer safety
- Increased shock absorption, reduction in interface pressures
- Increased toe clearance in swing phase
- Plantar flexion compliance when descending steps
- Sandal toe

Foot Shell and Glide Sock included.

Specifications

Max. User Weight:	150kg
Activity Level:	2
Size Range:	22-30cm
Component Weight:	520g [†]
Build Height:	115mm
Heel Height:	10mm
Range of Ankle Motion:	6° plantar to 6° dorsiflexion



Order Example

Product Code	Size	Side
AV	25	L

For dark tone add suffix D.
Foot example: AvalonK2 size 25 left.

Accessories

Alignment Wedge 940093

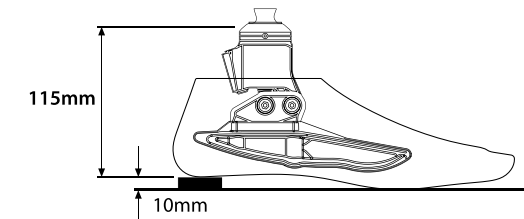


Avalon^{K2}



Build part numbers are for assembly guidance only and may not be for sale separately.

Build Height



[†]Component weight shown is for a size 26cm without foot shell.

AvalonK2^{VAC} Schematics

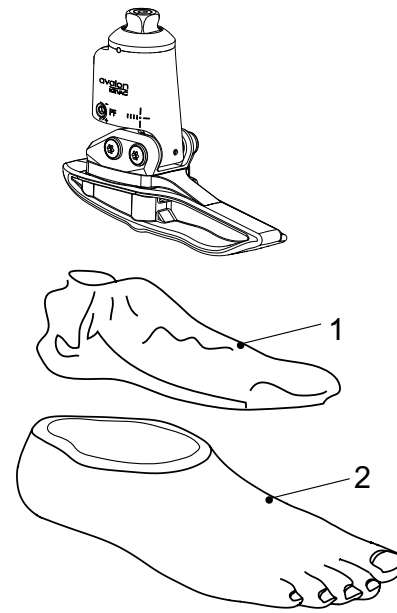
1. Glide Sock, Sizes 24-30 **405815**

2. Foot Shell*

Left	Part Number	Right	Part Number
24L	539024	24R	539025
25L	539026	25R	539027
26L	539028	26R	539029
27L	539030	27R	539031
28L	539032	28R	539033
29L	539035	29R	539035
30L	539036	30R	539037

*For dark tone add suffix D

DF/PF Adjuster Key **940236**
 Instructions for use **938432**



Hydraulic ankle/foot with the added functionality of elevated vacuum. The ergonomic keel provides better posture, stability and joint position.

Features

- Biomimetic Hydraulic Technology with integrated elevated vacuum
- Walking motion generates a natural vacuum
- No power required, quiet gentle operation
- Ergonomic keel for ease of rollover
- Increased shock absorption, reduction in interface pressures
- Increased toe clearance in swing phase
- Plantar flexion compliance when descending steps
- Sandal toe

Foot Shell and Glide Sock included.

Specifications

Max. User Weight:	150kg
Activity Level:	2
Size Range:	24-30cm
Component Weight:	583g [†]
Build Height:	122mm
Heel Height:	10mm
Range of Ankle Motion:	6° plantar to 3° dorsiflexion



Suitable for outdoor use

Order Example

Product Code	Size	Side
AVAC	24	L

For dark tone add suffix D.
 Foot example: AvalonK2VAC size 24L.

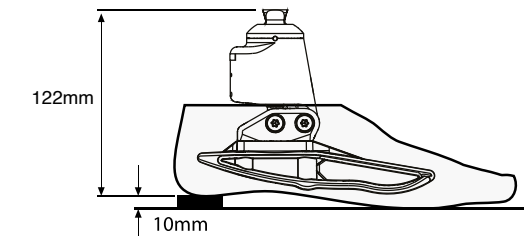
Accessories

Alignment Wedge	940093	
Socket Connection Kit	409663	

AvalonK2^{VAC}



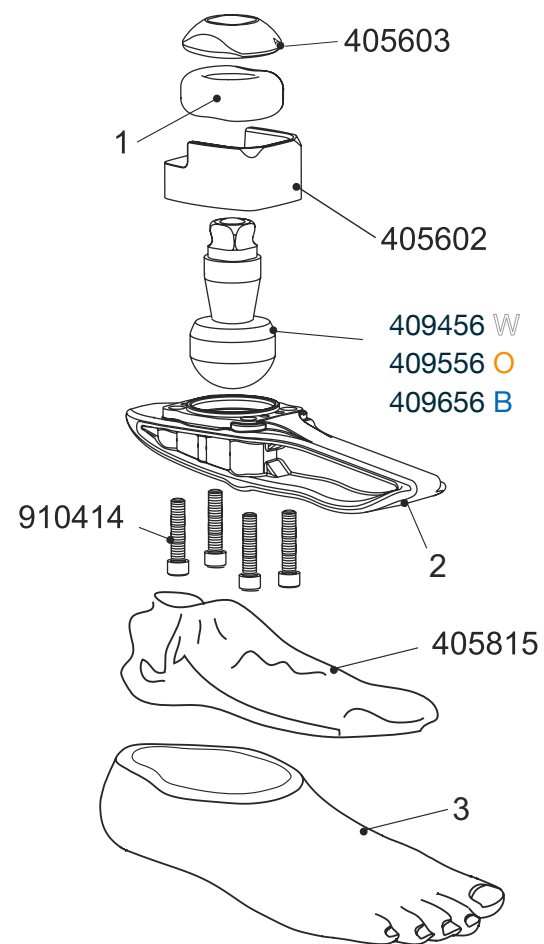
Build Height



[†]Component weight shown is for a size 26cm without foot shell.

Navigator Schematics

1 Snubber Kits			
60° (white)			405605
70° (orange)			405606
80° (blue)			405607
2 Keel			
Small			405619
Medium			405719
Large			405819
Extra Large			405919
3 Foot Shell*			
Left	Part Number	Right	Part Number
22L	539020	22R	539021
23L	539022	23R	539023
24L	539024	24R	539025
25L	539026	25R	539027
26L	539028	26R	539029
27L	539030	27R	539031
28L	539032	28R	539033
29L	539034	29R	539035
30L	539036	30R	539037
*For dark tone add suffix D			
Cone tool (for assembly)			940083
Instructions for use			938247
Glide Sock			405815



Multi-axial foot with flexible keel for comfort and stability.

Features

- Multi-axial flexible keel
- Short keel optimized for K2 gait and transfer
- Integrated ankle joint
- Choice of ankle stiffness
- Sandal toe

Foot Shell and Glide Sock included.

Specifications

Max. User Weight:	125kg
Activity Level:	1-3
Size Range:	22cm-30cm
Component Weight:	350g†
Build Height:	95mm
Heel Height:	10mm

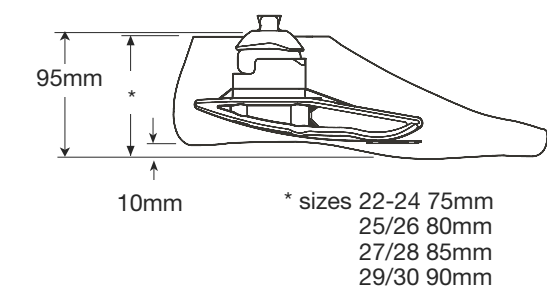


Order Example

Product Code	Size	Side	Ball	Snubber
NAV	25	L	W	O

For dark tone add suffix D. Foot example: Navigator, size 25 left, ball rating white, snubber rating orange.

Build Height



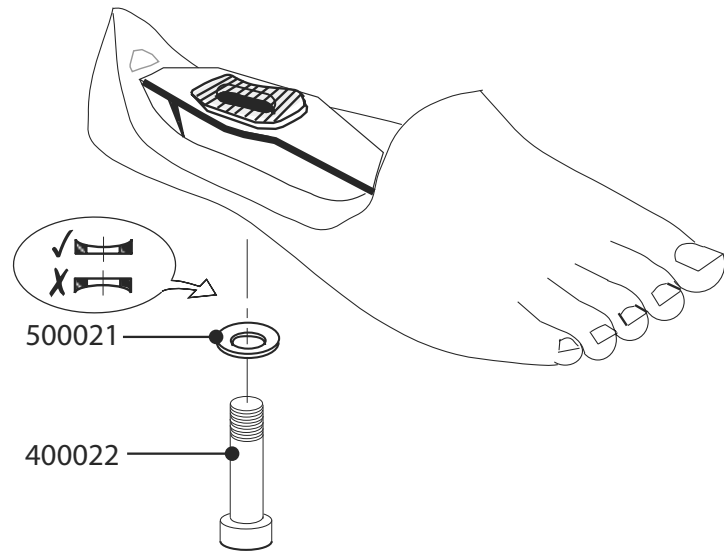
Activity	User Weight							Ball and snubber
	44-52 100-115	53-59 116-130	60-68 131-150	69-77 151-170	78-88 171-195	89-100 196-220	101-125 221-275	
1	WW	WW	WW	WO	OO	OB	BB	
2	WW	WW	WO	OO	OB	BB	BB	
3	WW	WO	OO	OB	BB	BB	BB	

†Component weight shown is for a size 26cm without foot shell.

Build part numbers are for assembly guidance only and may not be for sale separately.

Navigator

Multiflex Standard Schematics



The Multiflex foot and ankle provides the level 1-2 user with multi-axial motion for comfort and stability.

Multiflex Standard

Features

- Multi-axial function
- Low profile
- Sandal toe

Specifications

Max. User Weight:	125kg
Activity Level:	1-2
Size Range:	22cm-30cm
Component Weight:	375g [†]
Build Height:	40mm
Heel Height:	20 ± 15mm

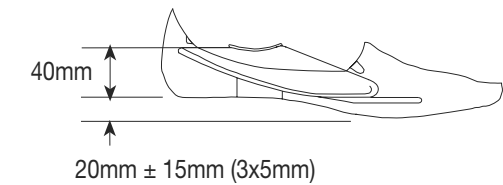
Suitable for outdoor use

Part Numbers

Size	Left	Right
22cm	519119	519120
23cm	519121	519122
24cm	519123	519124
25cm	519125	519126
26cm	519127	519128
27cm	519129	519130
28cm	519131	519132
29cm	519133	519134
30cm	519135	519136



Build Height



Ankle Part Number and Description	Snubber Part Number and Description	Max. User Weight/Activity Level	Build Height	Material	Weight
379342 Multiflex ankle W 30mm	409007 - snubber W 60° 409008 - snubber O 70° 409009 - snubber B 80°	125kg / 1-2	60mm	Aluminium	201g
379343 Multiflex ankle O 30mm					
379344 Multiflex ankle B 30mm					
409353 Pyramid Multiflex W	409007 - snubber W 60° 409008 - snubber O 70° 409009 - snubber B 80°	125kg / 1-2	58mm	Aluminium & Stainless Steel	199g
409354 Pyramid Multiflex O					
409355 Pyramid Multiflex B					

Light Duty Multiflex Ankle

379538	L.D.M/F ANKLE 60 DEG (W)-30mm
379540	L.D.M/F ANKLE 70 DEG (O)-30mm
379541	L.D.M/F ANKLE 80 DEG (B)-30mm

Light duty snubber kits are available:

409002	Light duty snubber W 60°
409003	Light duty snubber O 70°
409004	Light duty snubber B 80°

Ankle and snubber selection

				Ankle
				Snubber
60kg	80kg	100kg	125kg	

Snubber for standard ankle:

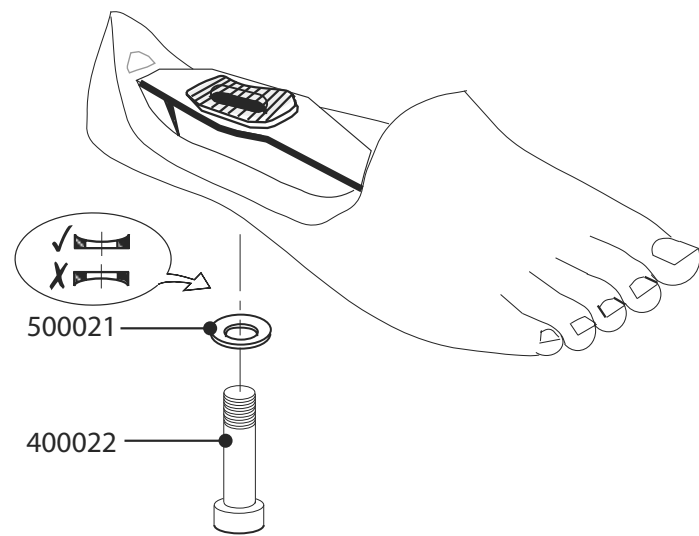
Multiflex ankle and snubber selection.

Activity	Max. User Weight				kg lbs	Ball and snubber
	60	80	100	125		
1-2	WW	WO	OO	BB		

Build part numbers are for assembly guidance only and may not be for sale separately.

[†]Component weight shown is for a size 26cm.

Multiflex Slim Schematics



Instructions for use **938016**

Cosmesis options refer to page 118.

The Multiflex foot and ankle in a slimmer width. Additional heel height capacity allows for a higher heel.

Multiflex Slim

Features

- Multi-axial function
- Low profile
- Sandal toe

Specifications

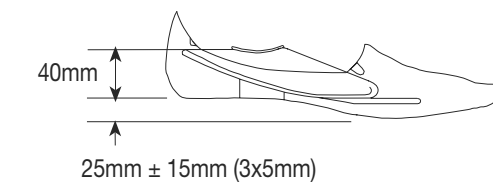
Max. User Weight:	125kg
Activity Level:	1-2
Size Range:	22cm-25cm
Component Weight:	375g [†]
Build Height:	40mm
Heel Height:	25 ± 15mm



Part Numbers

Size	Left	Right
22cm	519141	519142
23cm	519143	519144
24cm	519145	519146
25cm	519147	519148

Build Height



Ankle Part Number and Description	Snubber Part Number and Description	Max. User Weight/ Activity Level	Build Height	Material	Weight
379342 Multiflex ankle W 30mm 379343 Multiflex ankle O 30mm 379344 Multiflex ankle B 30mm	409007 - snubber W 60° 409008 - snubber O 70° 409009 - snubber B 80°	125kg / 1-2	60mm	Aluminium	201g
409353 Pyramid Multiflex W 409354 Pyramid Multiflex O 409355 Pyramid Multiflex B	409007 - snubber W 60° 409008 - snubber O 70° 409009 - snubber B 80°	125kg / 1-2	58mm	Aluminium & Stainless Steel	199g

Light Duty Multiflex Ankle

379538 L.D.M/F ANKLE 60 DEG (W)-30mm	409002 Light duty snubber W 60°
379540 L.D.M/F ANKLE 70 DEG (O)-30mm	409003 Light duty snubber O 70°
379541 L.D.M/F ANKLE 80 DEG (B)-30mm	409004 Light duty snubber B 80°

Light duty snubber kits are available:

Ankle and snubber selection

○	○	●	●	Ankle
○	○	○	○	Snubber
60kg	80kg	100kg	125kg	

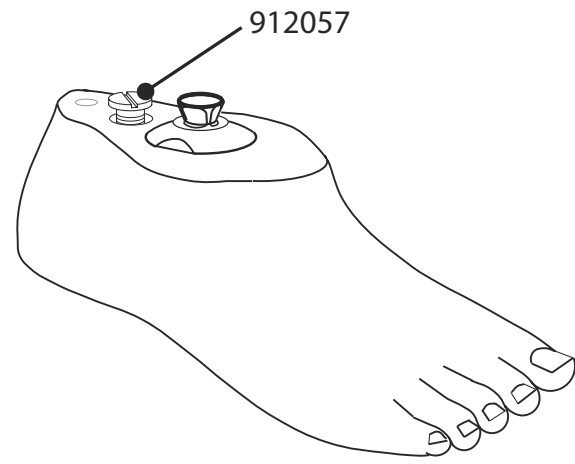
Snubber for standard ankle:

Build part numbers are for assembly guidance only and may not be for sale separately.

[†]Component weight shown is for a size 25cm.

Multiflex ankle and snubber selection.					
Activity	Max. User Weight				Ball and snubber
	60	80	100	125	
	131	176	220	275	kg
	131	176	220	275	lbs
1-2	WW	WO	OO	BB	

SuperSACH Schematics



Instructions for use

938086

A cushioned foot with flexible keel and adjustable heel cushion for level 1-2 users.

Features

- Adjustable heel cushion
- Sandal toe
- Integrated pyramid

Specifications

Max. User Weight:	125kg
Activity Level:	1-2
Size Range:	22cm-28cm
Component Weight:	449g [†]
Build Height:	70mm size 22-24 75mm size 25-26 80mm size 27-28
Heel Height:	19mm

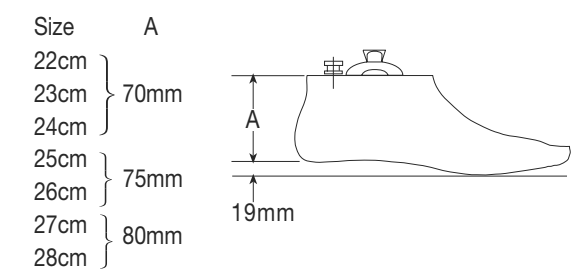


Suitable for submersion

Part Numbers

Size	Left	Right
22cm	P529101	P529102
23cm	P529103	P529104
24cm	P529105	P529106
25cm	P529107	P529108
26cm	P529109	P529110
27cm	P529111	P529112
28cm	P529113	P529114

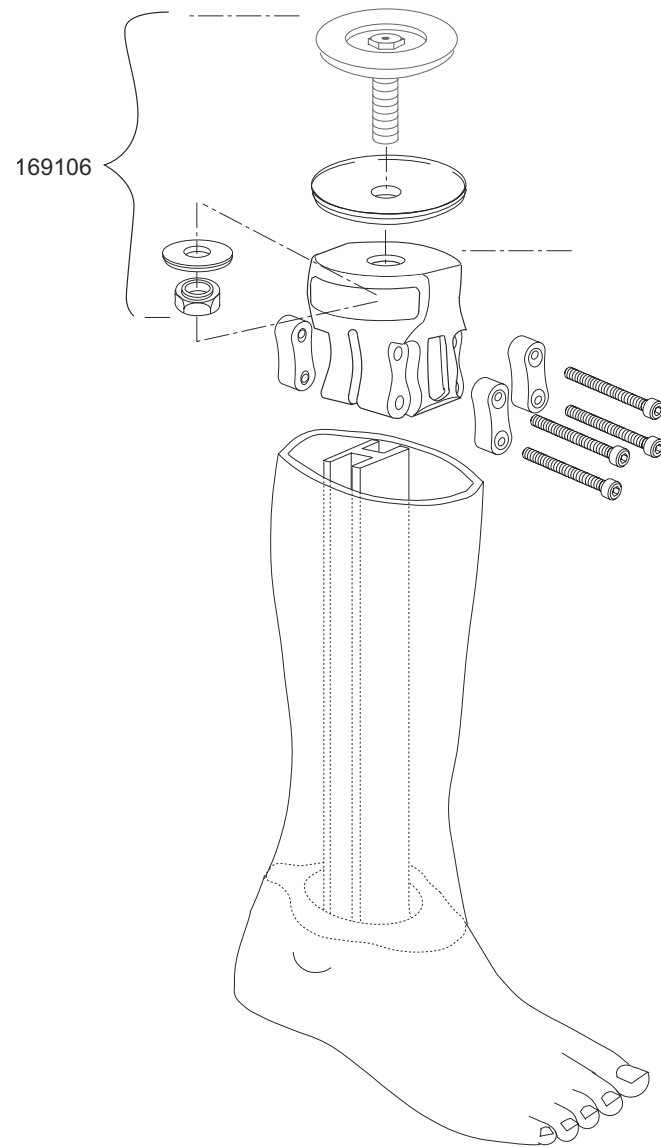
Build Height



Build part numbers are for assembly guidance only and may not be for sale separately.

[†]Component weight shown is for a size 26cm.

Aqualimb^{TT} Schematics



Moulded BK Alignment Kit 169106
 Instructions for use 938255

A waterproof prosthesis with integral shin and cosmesis.
 For use in the shower and wet environments.

Features

- Integral shin and cosmesis
- Rapid assembly
- Full alignment device included
- Anti-slip tread pattern on sole

Specifications

Max. User Weight: 100kg
 Activity Level: 1-2
 Size Range: 22cm-27cm
 Component Weight: 1.39kg†
 Build Height: 280 to 415mm
 Heel Height: 5mm



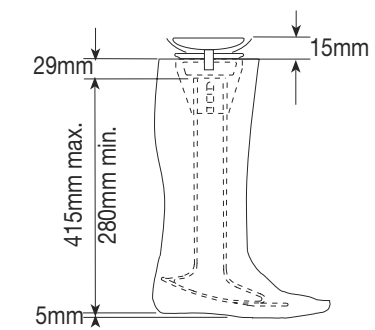
Part Numbers

Size	Left	Right
22cm	629705L	629706L
23cm	629707L	629708L
24cm	629709L	629710L
25cm	629711L	629712L
26cm	629713L	629714L
27cm	629715L	629716L

Aqualimb^{TT}



Build Height



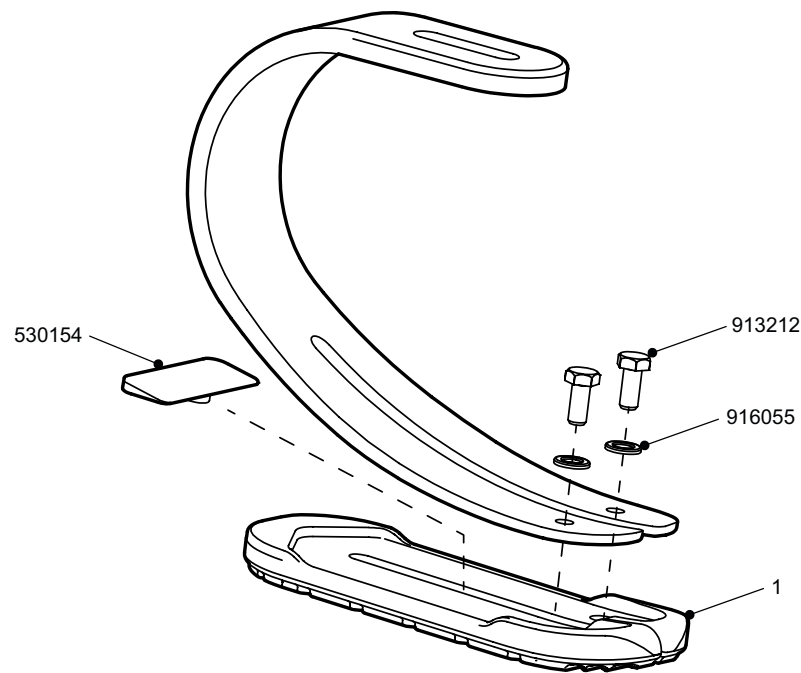
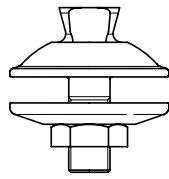


Junior



Mini Blade^{XT} Schematics

Male Mini Pyramid
189627



1 MBXT Heel Spring Kits—include the overmoulded cover, screws, washers and heel wedge.

Spring Category	Heel Type	Part No.
1	Soft Sports	539084SS
2	Medium Sports	539084MS
3	Firm Sports	539084FS
4	Extra Firm	539084 EFS

Adapters	Part No.
Male Mini Pyramid (supplied with foot)	189627

Female Mini Pyramid 25mm Tube Clamp Adapter	189526
---	--------

Female Mini Pyramid 30mm Tube Clamp Adapter	189727
---	--------

MBXT Adapter Kit (M30 threaded short adapter kit for minimum build height)	189826
--	--------

Instructions For Use	938371
----------------------	--------



Build part numbers are for assembly guidance only and may not be for sale separately.

A versatile paediatric blade suitable for a range of activities.

Features

- Twin toe and heel springs
- Split toe design
- Traction sole
- Heel stiffness wedge
- Waterproof
- Field replaceable heel spring kit
- Male mini pyramid with 30mm shift and rotation

Specifications

User Weight:	20-60kg
Amputation Level:	All
Activity Level:	3-4
Spring Range:	1-3
Component Weight:	450g (including male mini pyramid)
Build Height:	168mm
Colour Options:	Dazzling Pink (P) or Electric Blue (B)



Suitable for submersion

Order Example

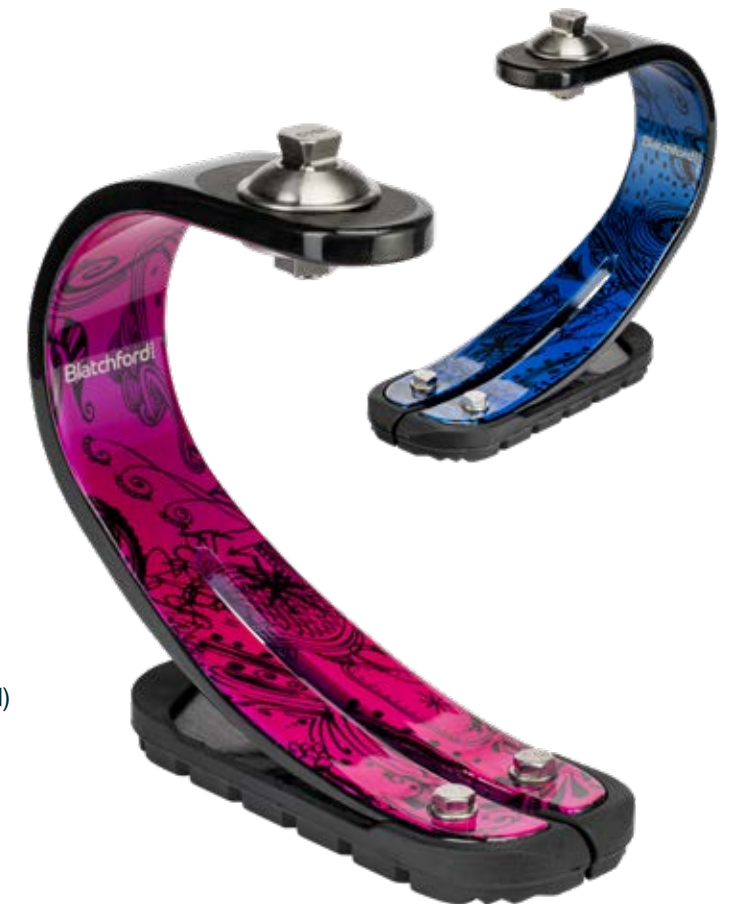
Product Code	Colour	Spring Set
MBXTA	B	3 SM

Foot example: Mini BladeXT, Colour Blue, Spring Set 3.

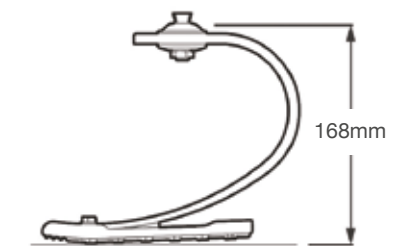
Product Code	Colour	Spring Set
MBXTA	P	1 SM

Foot example: Mini BladeXT, Colour Pink, Spring Set 1.

Mini Blade^{XT}



Build Height

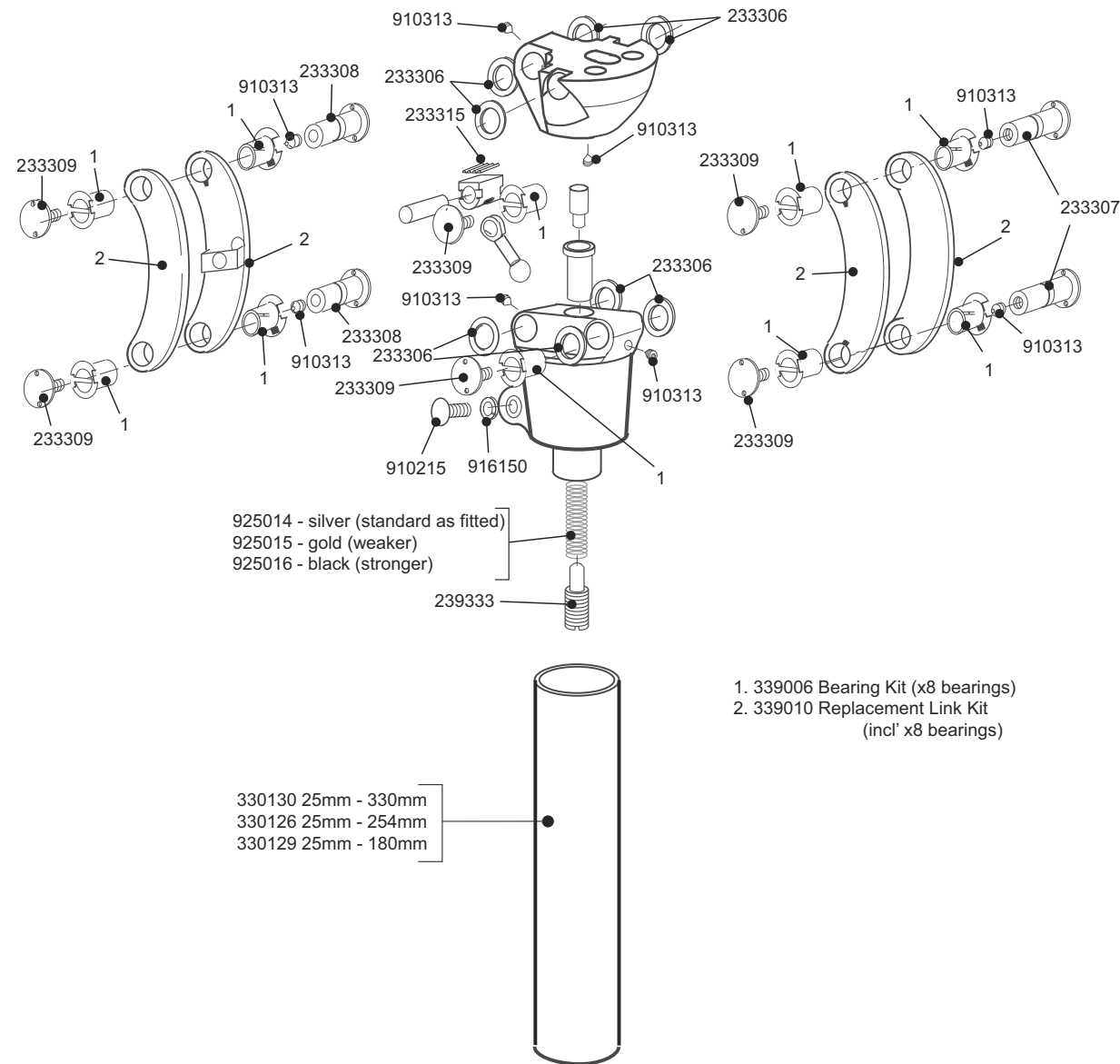


Activity	User Weight			Toe and Heel Spring Set
	20-35 44-77	36-50 78-110	51-60 111-132	
3-4	1 Soft	2 Medium	3 Firm	

4
3

Child's 4-Bar Knee Schematics

TT system 019245



Instructions for use
 Knee 938017
 Knee with tube 938103

Build part numbers are for assembly guidance only and may not be for sale separately.

A durable and lightweight polycentric knee designed for active children.

Child's 4-Bar Knee

Features

- Polycentric knee for stance stability
- Adjustable extension assist spring
- Wide range of alignment
- Low build height

Specifications

Max. User Weight: 60kg
 Activity Level: 1-4
 Component Weight: 335g
 Build Height: 105mm

Suitable for outdoor use



Part Number

Child's 4-bar Knee with 330mm tube 019245
 Child's 4-bar Knee without tube 239133

Adapters

Child's TF Alignment Kit 189226

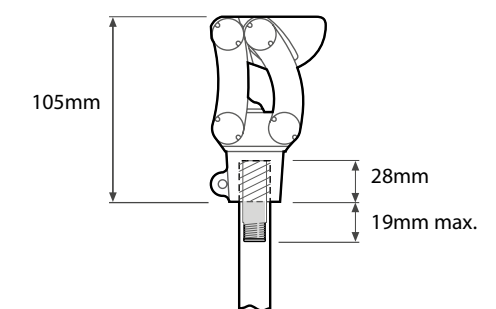
Lamination Socket Alignment Kit 189126

M30 Childs-Adapter-Kit 189726
 (currently unavailable)

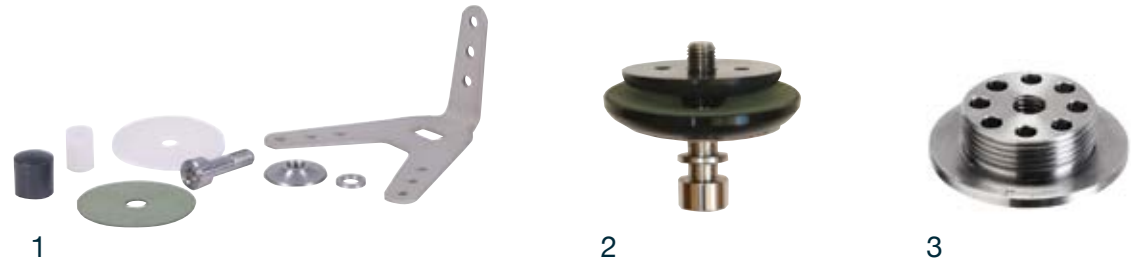
Female Mini Pyramid Pylon Kit 25mm409099



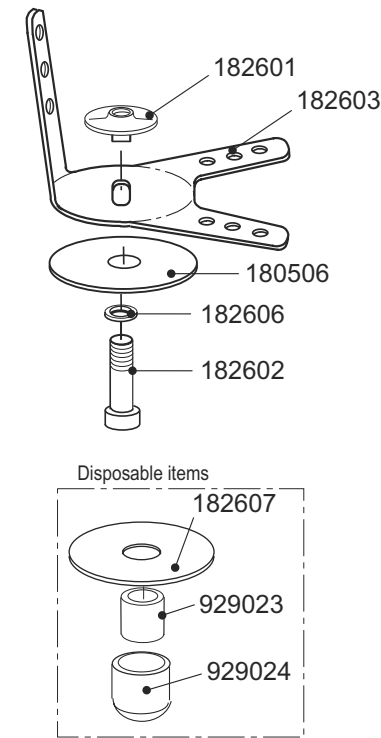
Fitting Length



Number	Description	Part Number	Build height	Weight	Max. User Weight. /Activity Level
1	Child's socket attachment plate for lamination	189126	10mm	125g	60kg/1-4
2	Child's TF alignment kit-Blatchford full alignment	189226	16mm	64g	60kg/1-4
3	M30 Child's Adapter for 4 Bar Knee	189726	12mm	55g	60kg/1-4
4	Female Mini Pyramid Pylon	409099	TT-50mm to 80mm	96g	60kg/1-4
5	Female Mini Pyramid 25mm Tube Clamp Adapter	189526	12mm	75g	60kg/1-4
6	Female Mini Pyramid 30mm Tube Clamp Adapter	189727	12mm	75g	60kg/1-4
7	25mm Carbon Fibre Pylon	330126	253mm	81g	60kg/1-4
8	25mm Carbon Fibre Pylon	330130	330mm	109g	60kg/1-4

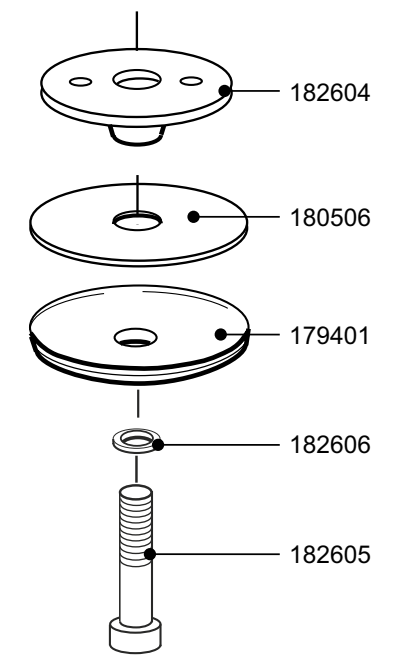


1. TF alignment kit 189126



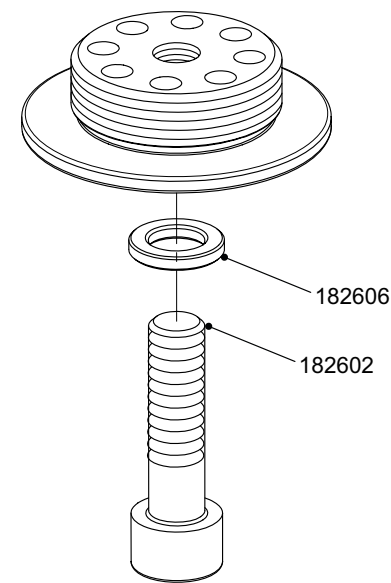
Instructions for use 938112

2. Alignment kit 189226



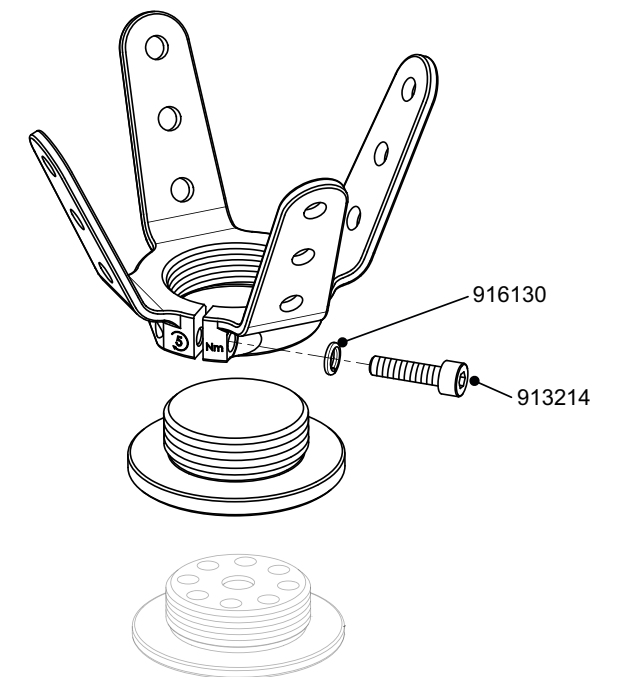
Instructions for use 938109

3. M30 Child's Adapter 189726 (currently unavailable)



Instructions for use 938396

4. M30-4-Prong Laminate Adapter 189626 (currently unavailable)

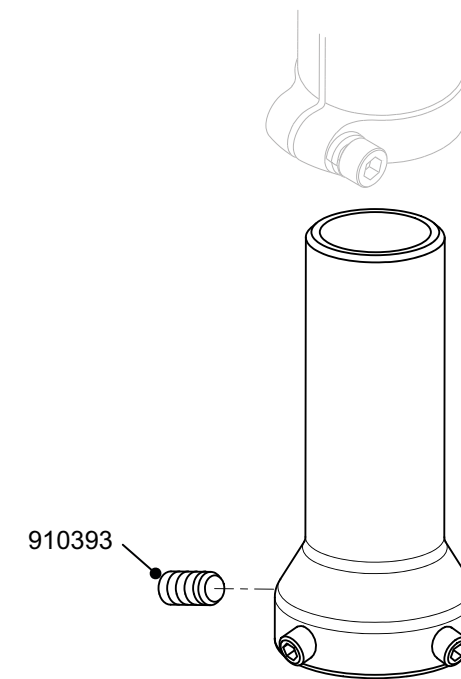


Instructions for use 938395



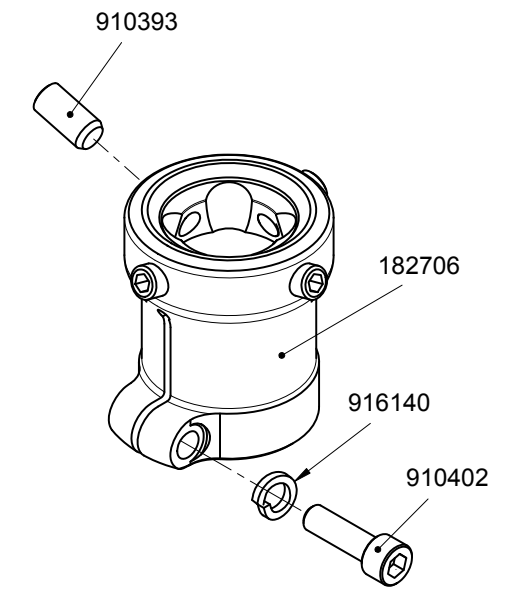
Junior Schematics

5. Female Mini Pyramid Pylon 25mm 409099



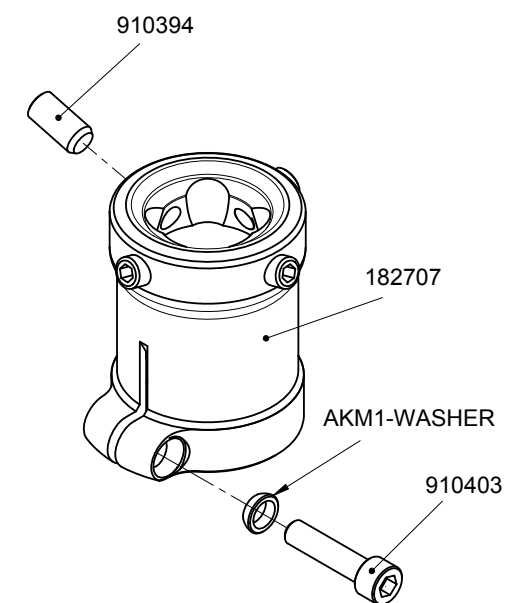
Instructions for use 938394

6. Female Mini Pyramid 25mm Tube Clamp Adapter 189526



Instructions for use 938373

7. Female Mini Pyramid 30mm Tube Clamp Adapter 189727

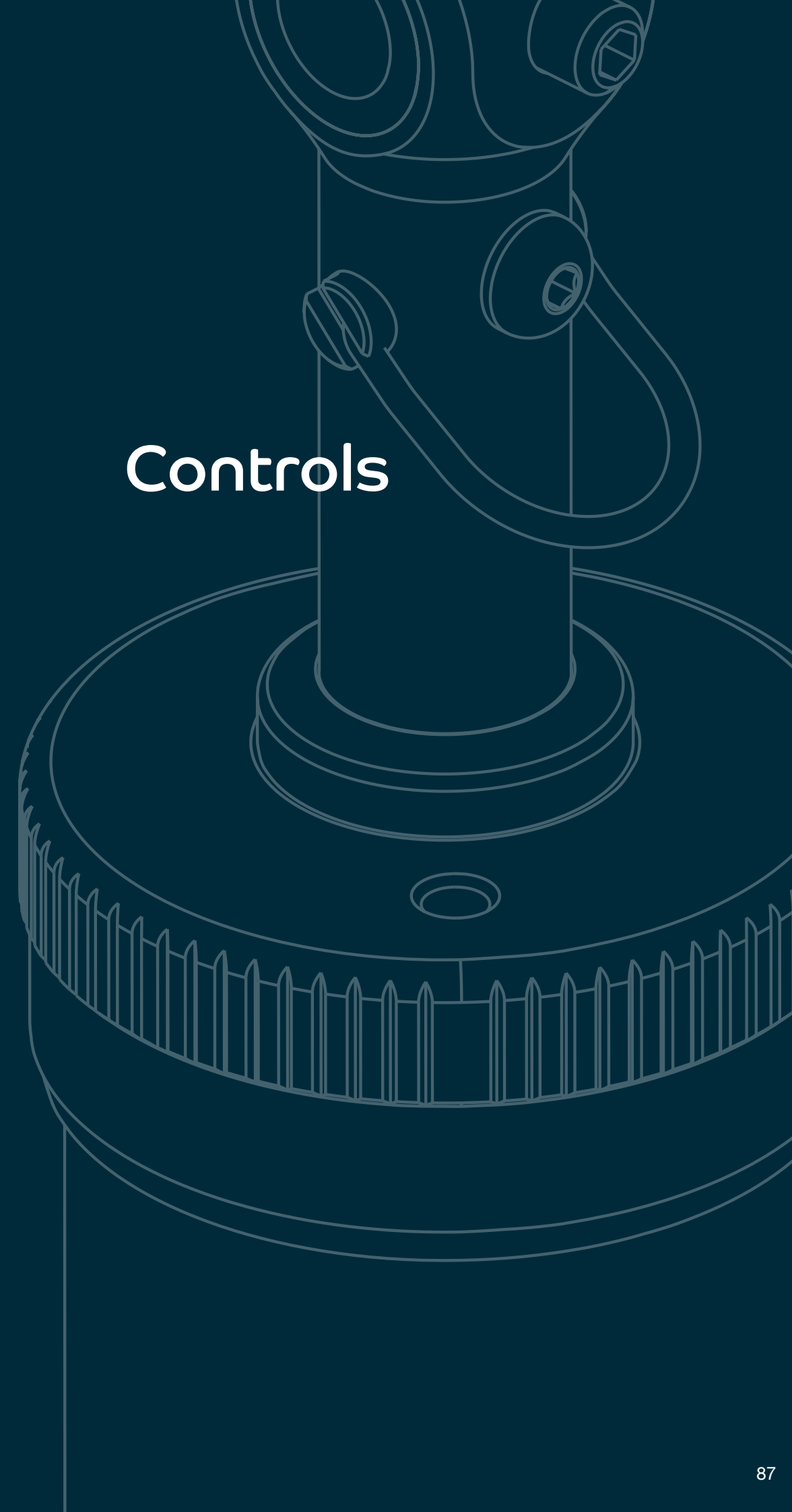


Instructions for use 938373

Build part numbers are for assembly guidance only and may not be for sale separately.



Controls



Controls



Blatchford Hydraulic Cylinders

New and Service Exchange Units

Part No.	Description	Trunnion Ø
932283	Swing and Stance Cylinder for KX06 ⁹ - Service Exchange	8mm
932281	Swing and Stance Hyd Cylinder For KX06 - New	8mm
932286	Swing and Stance Cylinder for Mercury Knee - Service Exchange	10mm
932285	Swing and Stance Cylinder for Mercury Knee - New	10mm



⁹Service exchange cylinders - supplied for in-warranty cylinders only. Cylinder serial number will be required.
⁹Only compatible with the earlier versions of KX06, not KX06v2. Contact Customer Service if you need more information.

Blatchford Microprocessor Control Cylinders

New and Service Exchange Units

New	S/Ex*	Description	Trunnion Ø
239629	259902	Swing Cylinder for SmartIP	6mm



*Supplied for in-warranty cylinders only. Cylinder serial number will be required.

Control Kits



Kit: 019758

Fitting Kit for Mercury Knee 239031

- Description**
 Pivot Pin Upper
 Thrust Washer x2off
 Lower Pivot x2off
 Thrust Washer (0.6) x2off
 Thrust Washer (0.5) x2off

Control fitting kits for ESK+ and ESK/MKL shin modules

Fitting Kit for Smart IP 019668

- Description**
 Nut
 Bolt
 Thrust washer, 2 off
 Lower pivot, 2 off
 Thrust washer, 2 off

Fitting Kit for PSPC 019758

- Description**
 Nut
 Bolt
 Thrust washer, 2 off
 Lower pivot, 2 off
 Thrust washer, 2 off
 Assistor spring
 Trunnion



Adapters

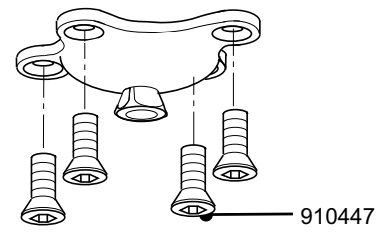
Number	Description	Part Number	Build height	Material	Weight	Max. User wt. /Activity Level
1	TT lamination anchor	P189410S	17mm (35mm)	St. Steel	85g	125kg / 1-3 100kg / 1-4
2	TT lamination anchor	P189410	17mm (35mm)	Aluminium	75g	125kg / 1-3 100kg / 1-4
3	Pyramid male 4-bolt	P189310	8mm (15mm)	St. Steel	68g	150kg / 1-3 145kg / 1-4
4	Pyramid male - sliding/rotating	EP-MSR	14mm (27mm)	Titanium	140g	150kg / 1-3
5	Pyramid female - sliding /rotating	EP-FSR	33mm (33mm)	Titanium	150g	150kg / 1-3
6	Pyramid male 4-bolt - sliding & rotating	169407	15mm	Aluminium/ Titanium	125g	150kg / 1-3 145kg / 1-4
7	Pyramid male - sliding & rotating Non-rotating male pyramid adapter	239017 239089	7mm (22mm) 7mm (22mm)	Alum/Titanium Alum/Titanium	50g 50g	166kg / 4 166kg / 4
8	Pyramid male - Blatchford dome	P189610	23mm	Aluminium/ St. Steel	155g	125kg / 1-3 100kg / 1-4
9	Pyramid female - Blatchford dome	P409049 (large) P409050 (small)	45mm 45mm	Aluminium/ St. Steel	209g	150kg / 1-3 145kg / 1-4
10	Pyramid male - Blatchford knee chassis	189127	5mm (25mm)	Aluminium/ St. Steel	103g	125kg / 1-3 100kg / 1-4
11	Pyramid female short - Blatchford knee chassis	409041	10mm (25mm)	Aluminium/ Titanium	110g	125kg / 1-3 100kg / 1-4
12	Full alignment kit TT - Blatchford dome	189906 (standard)	20mm	Aluminium/ Titanium	122g	125kg / 1-3 100kg / 1-4
13	Full alignment kit TF - Blatchford dome	189806 (standard) 189805 189807	20mm 10mm 30mm	Aluminium Aluminium Aluminium	183g 61g 93g	125kg / 1-3 100kg / 1-4
14	Min. Build Height Kit - 4-bolt ESK+, Mercury and KX06V2	239032	20mm	Aluminium	170g	125kg / 1-3 100kg / 1-4
15	M36 Adapter	239092	14mm	Alum/St. Steel		125kg / 1-3 100kg / 1-4
16	Pyramid female - sliding & rotating	189128	28mm	Alum/Titanium	114g	166kg / 4
17	Cup & Strut kit TF - full alignment 10mm, 115mm dia cup	189118	25mm	Aluminium	528g	100kg / 1-4

Adapters



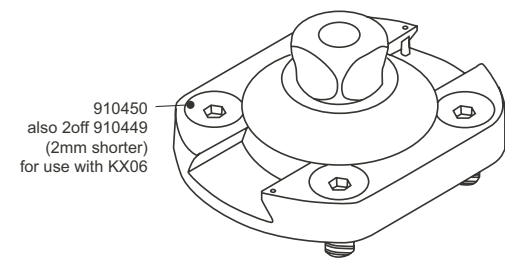
Adapters Schematics

3. Pyramid 4-bolt P189310



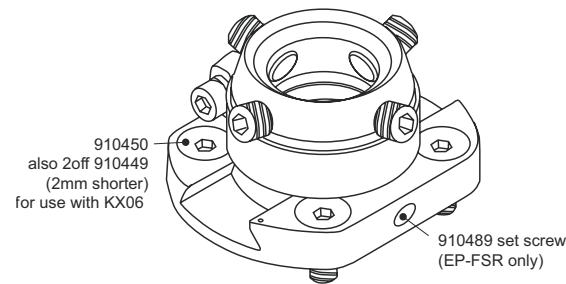
Instructions for use 938282

4. TF Pyramid Male Sliding/Rotating EP-MSR



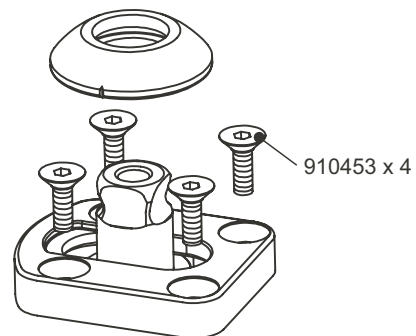
Instructions for use EP-MSR 938244

5. TF Pyramid Female Sliding/Rotating EP-FSR



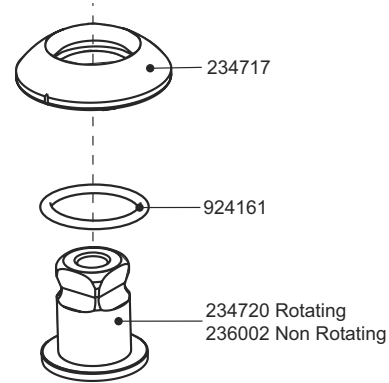
Instructions for use EP-FSR 938240

6. Pyramid male 4-bolt, sliding & rotating 169407



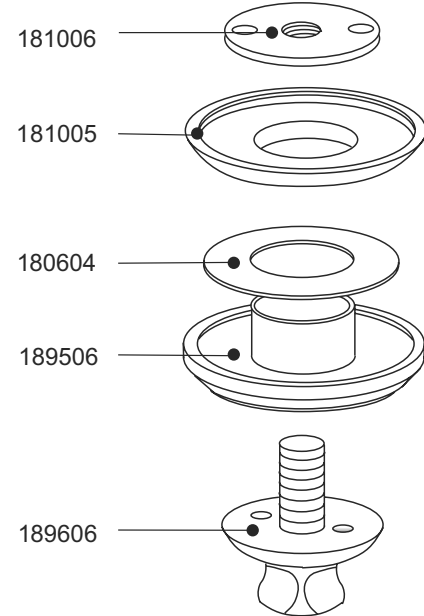
Instructions for use 938310

7. Pyramid Male Sliding Rotating Non Rotating 239017 239089



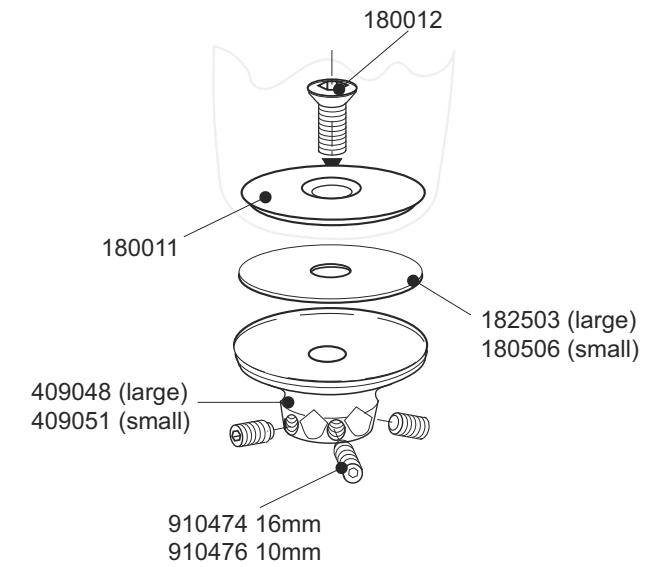
Instructions for use 938179

8. TT Pyramid Alignment P189610



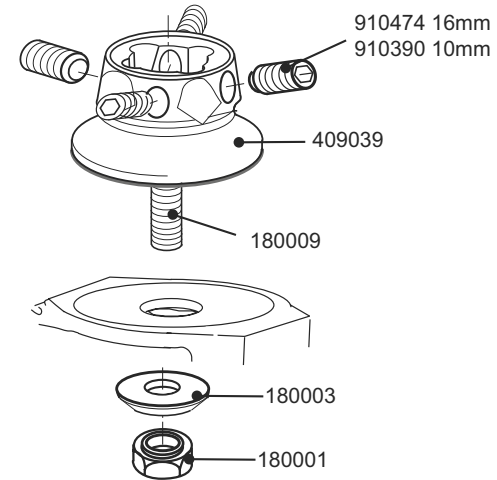
Instructions for use 938110

9. Female pyramid adapter: Large P409049 Small P409050



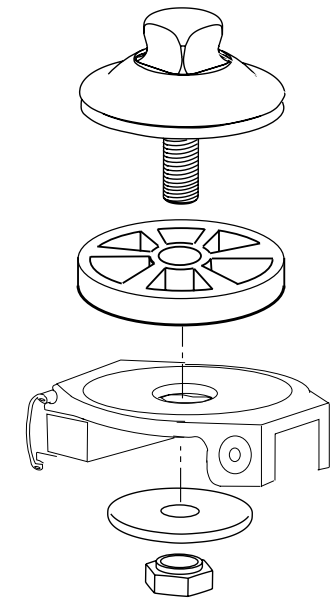
Instructions for use 938090

11. Pyramid shift adapter S 409041



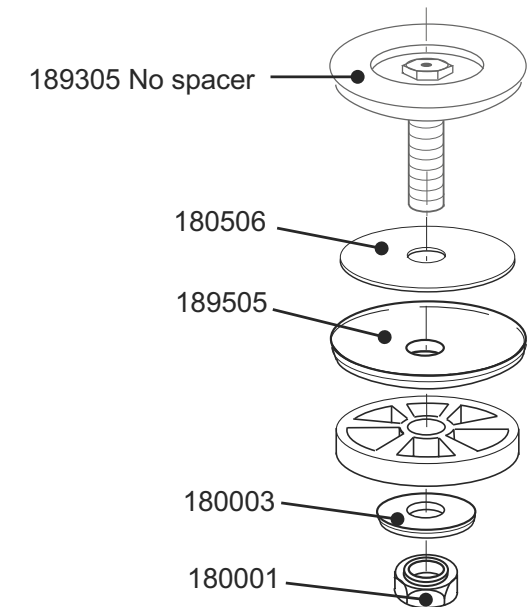
Instructions for use 938050

10. Full align. pyramid Standard 189127



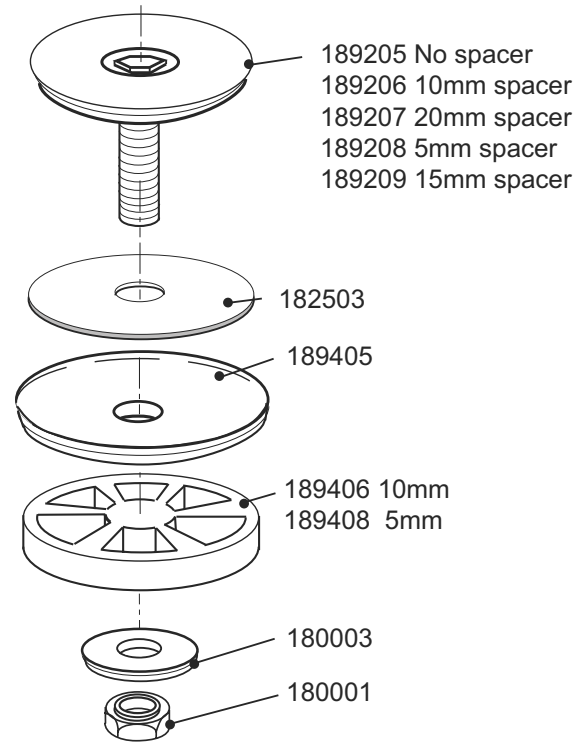
Instructions for use 938164

12. TT alignment kit Standard 189906

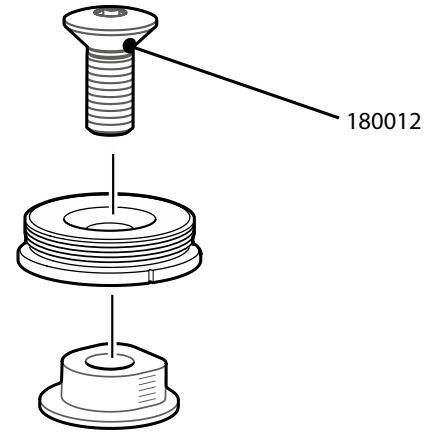


Adapters Schematics

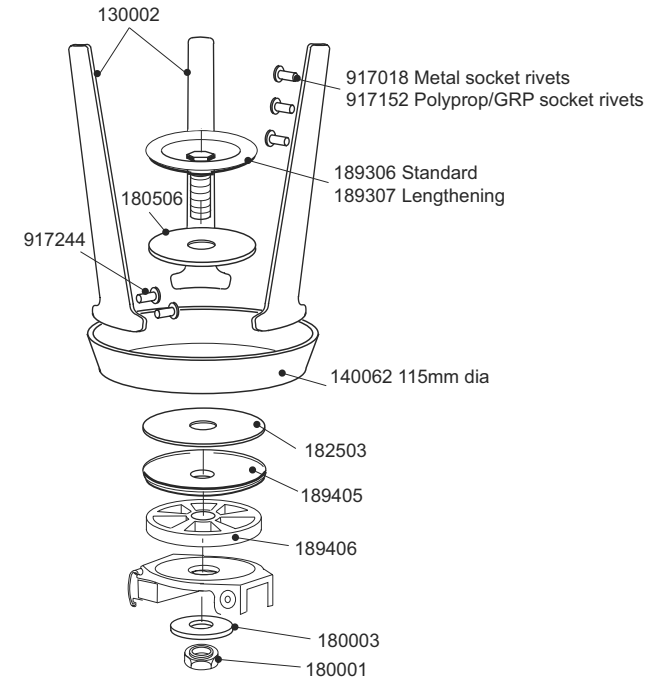
13. TF alignment kit
 standard 189806
 shortening (10) 189805
 lengthening (10) 189807



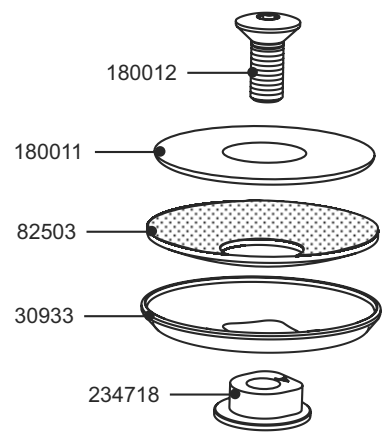
15. M36 Adapter 239092



17. Cup & Strut kit TF - full alignment
 115mm 189118

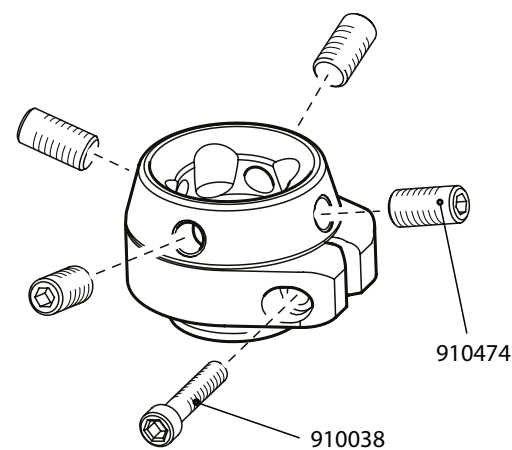


14. Alignment kit 239032



Instructions for use 938265

16. Pyramid female - sliding & rotating 189128



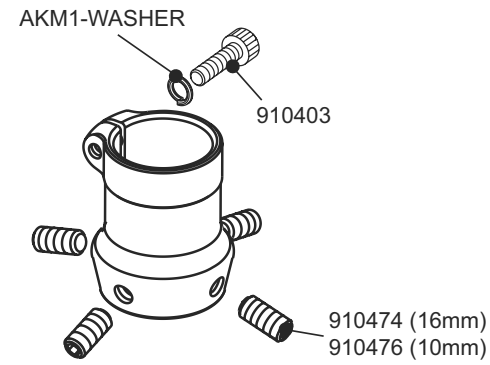
Number	Description	Part Number	Build height	Material	Weight	Max. User wt. /Activity Level
1	Tube clamp adapter pyramid female 30mm	AK30M1	15mm (51mm)	Titanium	92g	150kg / 1-3 145kg / 1-4
2	Blade top housing TT male - sliding & rotating	539601	7mm	Aluminium/ Titanium	165g	166kg / 1-3 130kg / 1-4
3	Blade top housing TT female - sliding & rotating	539602	28mm	Aluminium/ Titanium	240g	166kg / 1-3 130kg / 1-4
4	Pylon adapter pyramid female - 200mm long - 400mm long - 500mm long	739052	15mm (51mm + tube)	Aluminium	213g	125kg / 1-3 100kg / 1-4
		739053	15mm (51mm + tube)	Aluminium	362g	125kg / 1-3 100kg / 1-4
		739054	15mm (51mm + tube)	Aluminium	420g	125kg / 1-3 100kg / 1-4
5	High strength tube adapter single 30mm	239030	15mm (51mm + tube)	Titanium/ Carbon Fibre	272g	150kg / 1-3 145kg / 1-4
	High strength tube adapter double 30mm	239029	40mm + tube (250 max)	Titanium/ Carbon Fibre	364g	150kg / 1-3 145kg / 1-4
6	Pylon adapter pyramid female 30mm- low profile	409053	60mm min, 90mm max	Aluminium	97g	125kg / 1-3 100kg / 1-4
7	Pylon 30mm	330120	250mm max	Carbon Fibre	100g	100kg / 1-3 100kg / 1-4
	Pylon 30mm	330132	508mm max	Carbon Fibre	206g	100kg / 1-4
	High strength pylon 30mm	330146	250mm max	Carbon Fibre	180g	150kg / 1-3 145kg / 1-4
	Pylon 30mm/500mm	903220/500	500mm max	Aluminium	360g	125kg / 1-3 100kg / 1-4
	Pylon 30mm/400mm	903220/400	400mm max	Aluminium	285g	125kg / 1-3 100kg / 1-4
	Pylon 30mm/200mm	903220/200	200mm max	Aluminium	150g	125kg / 1-3 100kg / 1-4
8	Pylon adapter 30mm - full alignment	019231	95mm (280mm)	Aluminium/ Carbon Fibre	348g	100kg / 1-3
9	Pylon adapter full alignment female 30mm- low profile	339240	43mm (95mm)	Aluminium	185g	125kg / 1-3 100kg / 1-4
10	Top housing TT 30mm - full alignment	339008	25mm (59mm)	Aluminium	142g	100kg / 1-3
11	Ankle disarticulation kit - Blatchford dome*	399101	20mm	Aluminium/ St. Steel	141g	125kg / 1-3 100kg / 1-4
12	Multiflex Ankle/Seattle Lightfoot connector	409012	4.5mm	St. Steel	102g	125kg / 1-3 100kg / 1-4
13	Multiflex TT Kit	TTKIT3060L22 - TTKIT3080R30				

Tubes and Adapters



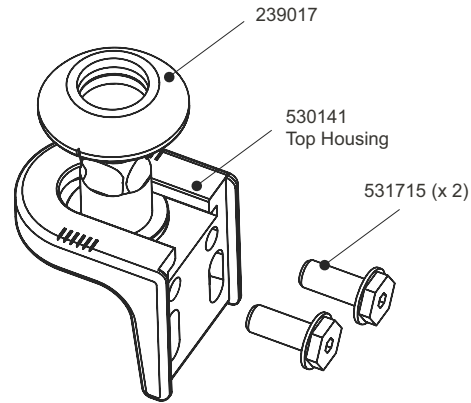
Adapters Schematics

1. Pyramid clamp 30mm AK30M1



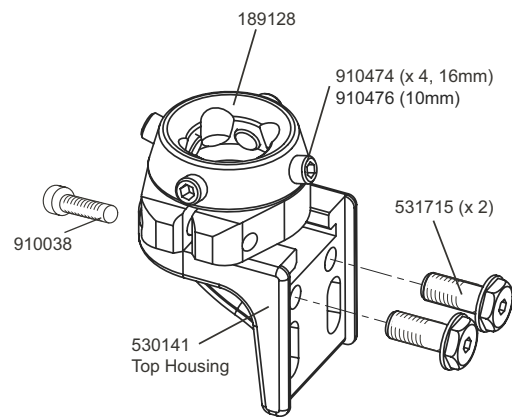
Instructions for use 938252

2. Blade and Javelin top Housing TT male 539601



Instructions for use 938307 & 938179

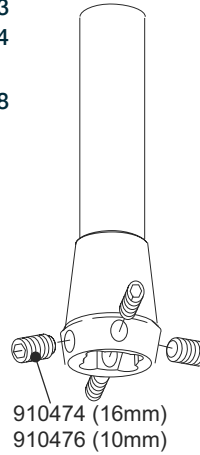
3. Blade and Javelin top Housing TT female 539602



Instructions for use 938307 & 938313

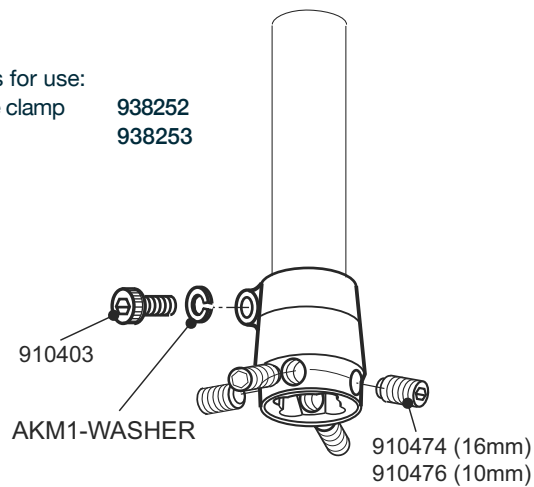
4. Bonded Pyramid Adapter - 30mm tube
200mm 739052
400mm 739053
500mm 739054

Instructions for use 938228



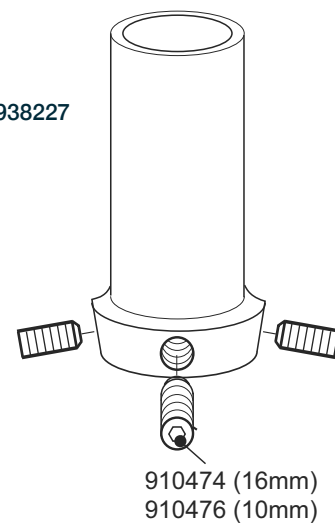
5. High Strength Shin Kit
30mm tube single pyramid 239030
30mm tube double pyramid 239029

Instructions for use:
30mm, tube clamp 938252
tube 938253

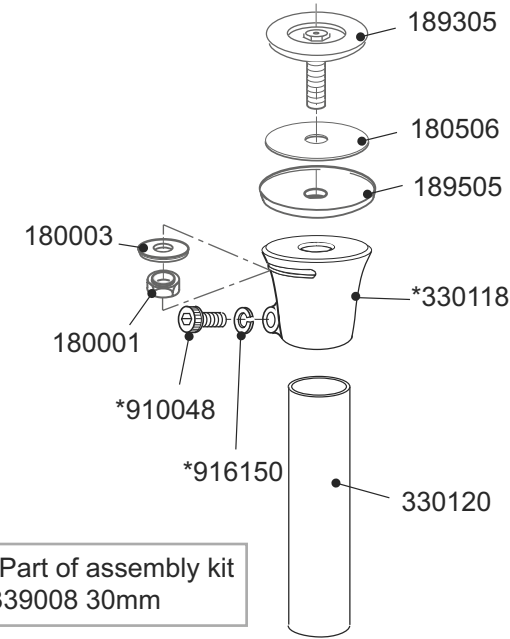


6. Pyramid pylon 30mm 409053

Instructions for use 938227

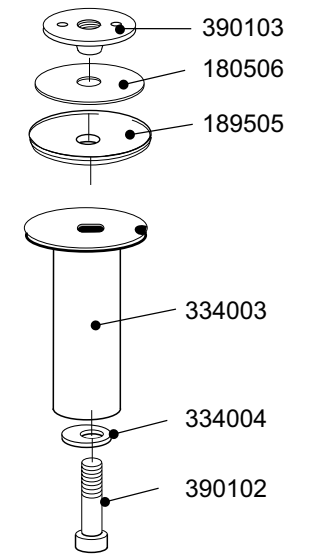


8. Pylon Adaptor - 30mm 019231



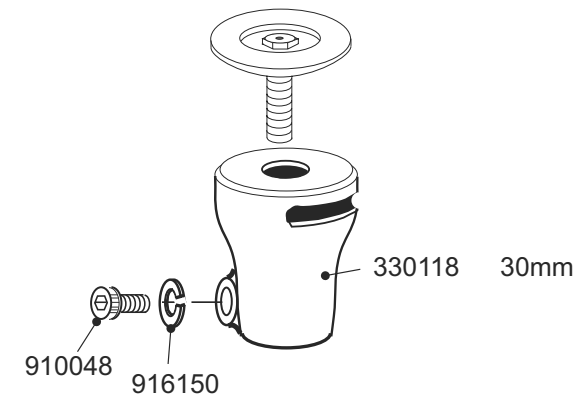
Instructions for use 934393

9. Long stump adapter 30mm dia 339240



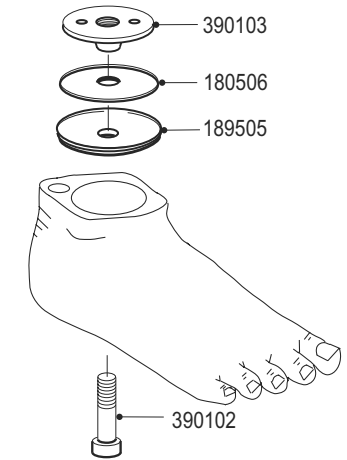
Instructions for use 938069

10. Top housing for TT - 30mm 339008



Instructions for use 938054

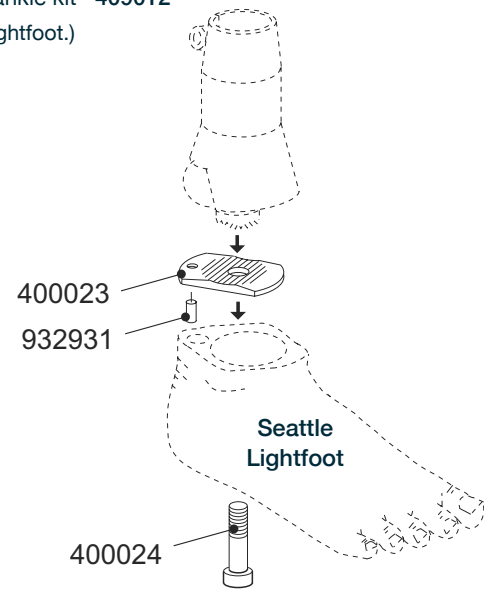
11. Ankle disartic. kit 399101
(For Seattle Lightfoot.)



Instructions for use 934349

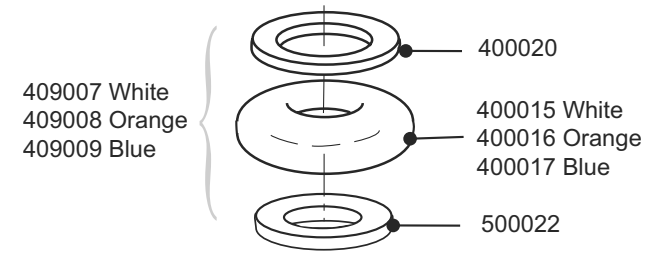
Multiflex Ankle Schematics

12. Multiflex ankle kit 409012
(For Seattle Lightfoot.)



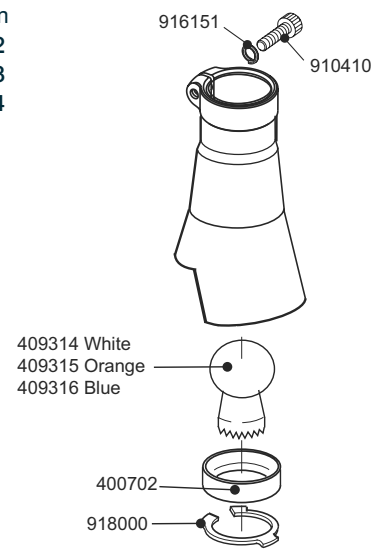
Instructions for use 934339

Snubber



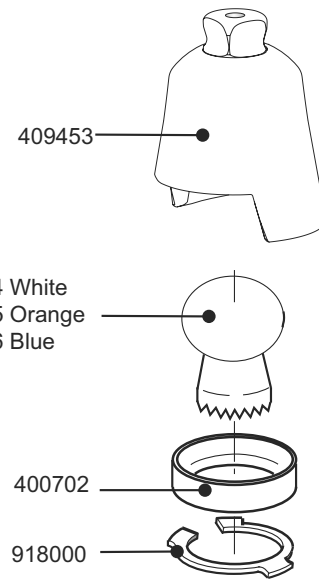
Instructions for use 934331

Multiflex ankle 30mm
60° (w) 379342
70° (o) 379343
80° (b) 379344



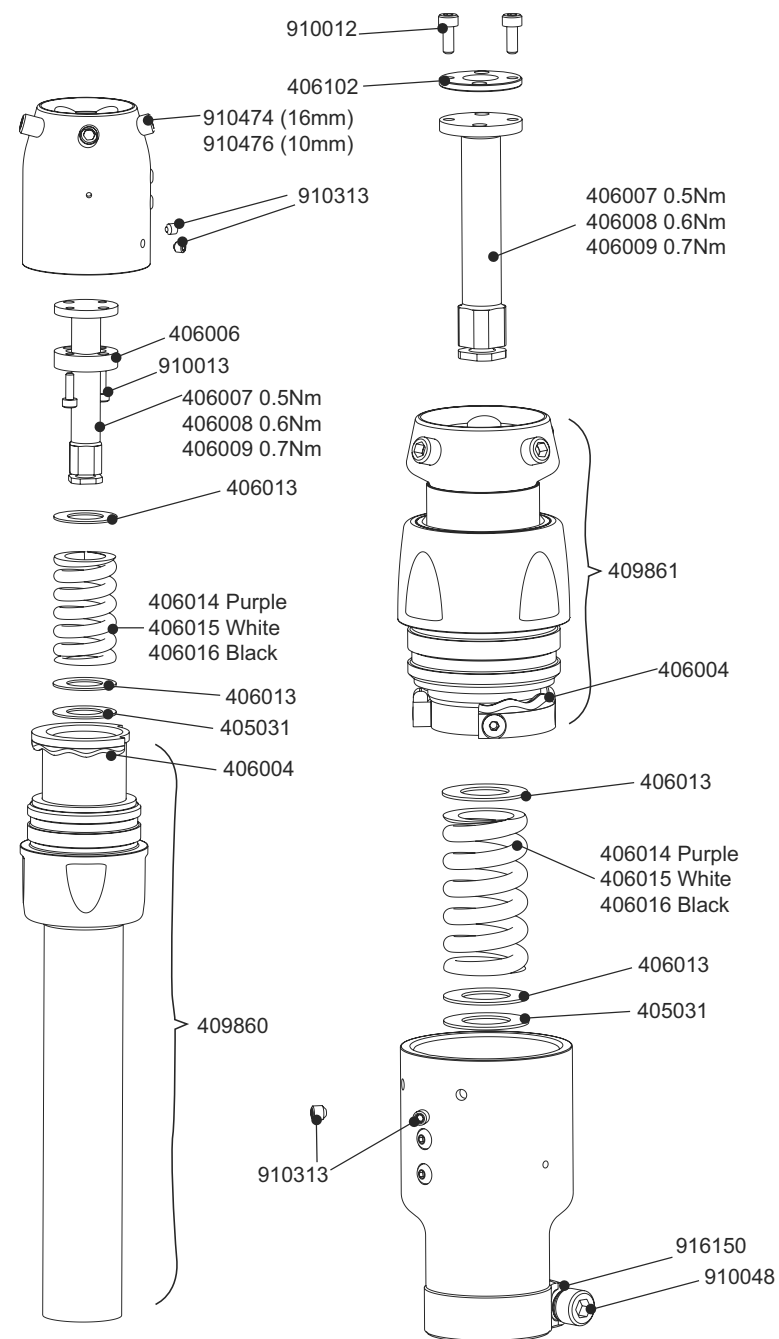
Instructions for use 938224

Multiflex ankle (pyramid)
60° (w) 409353
70° (o) 409354
80° (b) 409355



Instructions for use 938225

TTPro Schematics



Instructions for use **938416**

TT Pro Kits

- Spring Kit Purple **TTP S-P Kit**
- Spring Kit White **TTP S-W Kit**
- Spring Kit Black **TTP S-B Kit**
- Torsion Kit 0.5Nm **TTP 0.5 TKit**
- Torsion Kit 0.6Nm **TTP 0.6 TKit**
- Torsion Kit 0.7Nm **TTP 0.7 TKit**

Ancillary component designed to cushion shock and shear forces caused by vertical and rotational movement. Ideal for sports and activities such as golf, tennis and hiking.

TTPro

Specifications

- Max. User Weight/Impact Level:** 100kg/ 1-4
125kg/ 1-3
- Component Weight:** From 317g
- Build Height:** 135mm - 260mm (pyr)
145mm (clamp)
- System diameter:** 30mm



Pyramid
TTPROPYR

Clamp
TTPRO30



Order Example

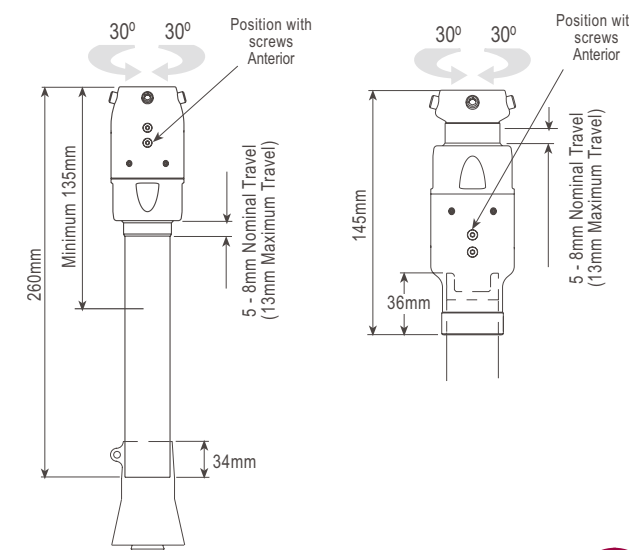
Pyramid			
Product Code	Rod	Spring Set	
TTPRO	PYR	3	B

eg. TTPRO-PYR3B

Clamp			
Product Code	Rod	Spring Set	
TTPRO	30	3	B

eg. TTPRO-30-3B

Build Height



TTPro	User Weight								Rod and Spring Set
	44-52	53-59	60-68	69-77	78-88	89-100	101-116	117-125	
Impact Level	100-115	116-130	131-150	151-170	171-195	196-220	221-255	256-275	kg lbs
Low	1P	2P	2P	2W	2W	3B	3B	3B	
Moderate	2P	2W	3W	3W	3B	3B	3B	3B	
High	3W	3W	3B	3B	3B	3B	-	-	




4 1
3 2



Kits



Alignment Kits

These kits are designed to connect the limb to the socket.

Part No.	Product Name	Comprises of:	Description
 169106	MOULDED ALIGNMENT KIT - (Transtibial)	1 x 189605 1 x 620040 1 x 180001 1 x 620008	SCKT PLATE & BOLT ASSY WASHER ATLAS BK ALIGN ALIGNMENT NUT ALIGN COUPLING BK MOULDED
 169205	TF AQUALIMB ALIGNMENT KIT - (Transfemoral)	1 x 180502 1 x 182503 1 x 182501 1 x 160701	FRICITION DISC - (FLAT ALIGN) FRICITION DISC A/K ALIGN UPPER COUPLING A/K THREADED SOCKET PLATE
 189118	CUP & STRUT TF FULL ALIGNMENT KIT - (Transfemoral)	1 x 130002 1 x 140062 1 x 180001 1 x 180003 1 x 180506 1 x 189306 1 x 189405 1 x 189406 1 x 917018 1 x 917152 1 x 917244	STRUT-3MM 11" LG 115MM DIA CUP ALIGNMENT NUT ALIGNMENT WASHER BK FRICTION DISC BK SKT PLATE & BOLT (10 SPACER) AK UPPER ALIGNMENT COUPLING SPACER FLAT ALIGN 10MM RIVET 90 CSK 1/8" DIA x 12 RIVET 140 CSK 9/16" DIA x 7/8" RIVET SNAP 5/32" DIA x 1/2"



Ankle Kits



Designed for Symes ankle disarticulation.

Part No.	Product Name	Comprises of:	Description
 399101	ANKLE DISARTICULATION KIT (SEATTLE LIGHTFOOT)	1 x 390103 1 x 189505 1 x 390102	SOCKET PLATE-SYMES ANKLE DISARTICULATION SOCKET PLATE AK FLAT ALIGN FOOT BOLT 38/" UNF x2" LG
 409012	MULTIFLEX ANKLE KIT (SEATTLE LIGHTFOOT)	1 x 400023 1 x 932931 1 x 400024	ADAPTOR PLATE PIN ROTATION CONTROL FOOT BOLT 3/8"UNF x 1.6" lg

Charging Kits



Battery charging kits for Blatchford Microprocessor products.

Part No.	Product Name	Comprises of:	Description
 239093	BATTERY CHARGER KIT - LINX/ORION3 (pre V2 version)	1 x 950223 1x 950136 1 x 950137 1 x 950138 1 x 950164 1 x 936211	BATTERY CHARGER ASSY MAINS ADAPTOR - UK MAINS ADAPTOR - EU MAINS ADAPTOR - USA MAINS ADAPTOR - AUSTRALIA USER POUCH
 239093V2A	BATTERY CHARGER KIT - LINX/ORION3 (Current V2 Version)	1 x 950223V2A 1 x 950136 1 x 950137 1 x 950138 1 x 950164 1 x 936211	RIGHT ANGLED BATTERY CHARGER ASSY MAINS ADAPTOR (UK) MAINS ADAPTOR (EURO) MAINS ADAPTOR (USA) MAINS ADAPTOR (AUSTRALIA) USER POUCH

 409087E	BATTERY CHARGER KIT - ELAN	1 x 950215 1 x 950103 1 x 950104 1 x 950105 1 x 409091 1 x 936211	BATTERY CHARGER MAINS ADAPTOR (UK) MAINS ADAPTOR (USA) MAINS ADAPTOR (EURO) MICRO D CHARGING ADAPTOR USER POUCH
 409087IC	BATTERY CHARGER KIT - ELAN IC	1 x 409666 1 x 950183 1 x 950184 1 x 936211	INDUCTIVE BATTERY CHARGER MAINS ADAPTOR - EUROPE MAINS ADAPTOR - US USER POUCH




Cylinder Fitting Kits


Cylinder fitting kits suitable for ESK+ and ESK+MKL.

Part No.	Product Name	Comprises of:	Description
 019668	SMART IP FITTING KIT	1 x 230078 1 x 230079 2 x 230080 2 x 230088 1x 230090	NUT BOLT THRUST WASHER LOWER PIVOT STUB AXLE THRUST WASHER
 019758	Fitting Kit for PSPC (ESK+ & ESK+MKL)	1 x 230078 1 x 230079 2 x 230080 2 x 230088 1 x 230313 1 x 239009 2 x 230090	NUT BOLT THRUST WASHER LOWER PIVOT STUB AXLE SPRING PSPC ASSIST TRUNNION THRUST WASHER

Fitting Kits








These kits are replacement pylons for changing the length of a limb. The high strength shin kits are for use with higher weight or high activity users (N.B. they are not suitable for Linx).

Part No.	Product Name	Comprises of:	Description
 239029	HIGH STRENGTH SHIN KIT - 30mm PYLON DOUBLE PYRAMID - (Transtibial & Transfemoral)	1 x 330146 2 x AK30M1	CF TUBE 30 x 250LG WITH LINER 30mm TITANIUM PYLON CLAMP
 239030	HIGH STRENGTH SHIN KIT - 30mm PYLON SINGLE PYRAMID	1 x 330146 1 x AK30M1	CF TUBE 30 x 250LG WITH LINER 30mm TITANIUM PYLON CLAMP
 019231	PROSTHETIC CONNECTOR - DEMOUNTABLE TUBE CLAMP	1 x 189305 1 x 189505 1 x 180003 1 x 180001 1 x 339008 1 x 330120	SOCKET PLATE & BOLT ASSY ALIGN COUPLING WASHER NUT BK ADAPTOR ASSY 30 CARBON FIBRE TUBE 30mm

 339865	LINX PYLON KIT	1 x 336502 1 x 405302 1 x 934834	DOMe TUBE - LINX PYRAMID INSERT
 339965	LINX LONG PYLON KIT	1 x 330108 1 x 339012 1 x 239057L 1 x 934834	CARBON FIBRE TUBE 35 O/D LINX DISTAL TUBE CLAMP SUBASSY SHIN EXTENSION CABLE - LINX (LONG)






Junior Kits

This range of kits support the Blatchford Junior product lines.

Part No.	Product Name	Comprises of:	Description
 189126	CHILDS KNEE LAMINATION SOCKET ALIGNMENT KIT	1 x 182601 1 x 182602 1 x 182603 1 x 182606 1 x 180506 1 x 182607 1 x 929023 1 x 929024	CLAMPING WASHER ALIGNMENT BOLT LAMINATE SOCKET PLATE ALIGNMENT WASHER FRICTION DISC WASHER ROUND FERRULE SPACER
 189226	CHILDS TF ALIGNMENT KIT	1 x 179401 1 x 182604 1 x 182605 1 x 182606	ALIGN UPPER COUPLING ASSY SOCKET PLATE A/K ALIGNMENT BOLT WASHER
 189627	MINI PYRAMID ADAPTOR KIT MALE - MINI BLADE XT	1 x 182705 1 x 180003 1 x 180001	MINI PYRAMID MALE ALIGNMENT ALIGNMENT WASHER ALIGNMENT NUT
 189826	M30 MINI BLADE XT ADAPTER KIT	1 x 182612 1 x 180004 1 x 180003 1 x 180001	M30 MBXT ADAPTER BOLT - FLAT ALIGN ALIGNMENT WASHER ALIGNMENT NUT
 339006	CHILDS KNEE BEARING KIT (x8 bearings)	8 x 334303	BUSH MODIFIED PLASTIC BEARINGS
 339010	CHILDS KNEE REPLACEMENT LINK KIT (incl' x8 bearings)	1 x 233303 1 x 233304 1 x 233305 8 x 334303	FRONT LINK REAR LINK LH REAR LINK RH BEARINGS
 409099	CHILDS KNEE FEMALE MINI PYRAMID PYLON KIT 25mm	1 x 400057 4 x 910393	FEMALE MINI PYRAMID PYLON - 25mm M6x12 FLAT POINT SET SCREW - PLATED




Knee Kits


A range of kits designed for use with Blatchford knees.

Part No.	Product Name	Comprises of:	Description
 239031	Fitting Kit for Mercury Knee	1 x 234705 2 x 234716 2 x 234806 2 x 235206 2 x 235207	PIVOT PIN UPPER THRUST WASHER LOWER PIVOT THRUST WASHER (0.6) THRUST WASHER (0.5)
 239075	SF WEBBING STRAP KIT - ESK+ option	1 x 239074 2 x 230099	SF WEBBING STRAP 4mm PIN SOLD SF PIN (04mm)
 239453	BMK2 EXTENSION STOPS	4 x stops	EXTENSION STOP
 239553	BMK2 STABILIZING MECHANISM KIT	1 x 239253 1 x 235314 & 23531 5 2 x 235319 2 x 918110 2 x 940087	COMPACT STABILISING MECHANISM DUST COVERS L/R CROSS PIN RETAINER EXTERNAL E RING ALIGNMENT PIN
 239949	SMART IP / ESK+ / ESK+ MKL STABILISING MECHANISM KIT	1 x 239249 1 x 234403 2 x 230111 1 x 230120 2 x 918110 2 x 910445 1 x 234905/6	ESK+ MECHANISM KNEE BEARING SPINDLE PIVOT PIN RETAINING PIN E CLIP RETAINER HEX SKT M5 X 12 ST STL DUST COVER R/L ELASTIC BAND

Knee Locks


These kits are designed to control the knee lock position.

Part No.	Product Name	Comprises of:	Description
 239002	CONVERSION KIT-KNEE LOCK CABLE	1 x 230019 1 x 230020	CABLE RELEASE CABLE SLEEVE
 239640	ESK+ MKL THIGH RELEASE KIT	1 x 239840 1 x 239740 1 x 234009 1 x 234013 1 x 234320 1 x 910475 2 x 910436 2 x 910446 1 x 230092 1 x 230093	THIGH RELEASE BASE THIGH RELEASE HANDLE THIGH RELEASE CAM PLATE THIGH RELEASE SCREW CAP KNOB - THIGH RELEASE SCREW SKT SET M3 X 4 HEX SKT M4 X 12 ST STL HEX SKT M4 X 16 ST STL THIGH RELEASE CABLE SLEEVE THIGH RELEASE CABLE
 SAKLCKit	SAKL & MKL CABLE KIT	1 x 230017 1 x 230018	CABLE RELEASE CABLE SLEEVE

 P239443	COMPACT SAKL THIGH RELEASE KIT	1 x 234317 1 x 234318 1 x 234319 1 x 234320 2 x 910436 2 x 910446 1 x 910386 1 x 910475	BASE - THIGH RELEASE LEVER - THIGH RELEASE SCREW - THIGH RELEASE KNOB - THIGH RELEASE SCREW CSK HEX SKT M4 X 12 ST.ST A2-70 Screw Skt Csk M4 x 16 St. St. BS4168 SCREW SET SKT M3 X 3 FLAT PT SCREW SET SKT M3X4 FLAT PT ST STL BS4168
--	--------------------------------	--	---




Programming Kit

Suitable for the original Elan foot, this kit allows the Clinician to upload the fitting programme on to a computer.

Part No.	Product Name	Comprises of:	Description
 406431E	ELAN COMMUNICATIONS KIT	1 x 950129 1 x 950928 1 x 409078 1 x 409084 1x 406413E	EXTERNAL USB BLUETOOTH ADAPTOR USB TO TTL CABLE 1.8m COMMS CABLE ADAPTOR MICRO D INTERFACE CABLE ADAPTOR ELAN PROGRAM ON A MICRO D/USB STICK


Protective Covers


For knees

Part No.	Product Name	Comprises of:	Description
 239661	KX06 COVER REPLACEMENT KIT	1 x 236125 5 x 236122 5 x 913216 1 x 940234	COSMETIC COVER COVER FIXING SPACER M4 x 12LG LOW PROFILE CAP HEAD HEX SLOTTED SCREW - BLACK HEX KEY - 2.5mm AF
 239761	KX06 SPACER & SCREW KITS	4 x 236122 4 x 913216	COVER FIXING SPACER M4 x 12LG LOW PROFILE CAP HEAD SLOTTED SCREW - BLACK
 561101BLACK	PROTECTIVE COVER FOR LINX & ORION3	-	BLACK COVER

Service Kits



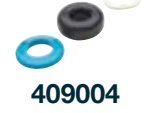
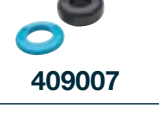
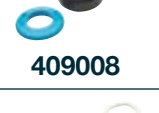

This kit provides Servicing parts for ESK+, ESK+ MKL, SMART IP & SAKL Knees.

Part No.	Product Name	Comprises of:	Description
 ESK S kit	ESK Spares Kit	2 x Pivot Pins 1 x 230120 1 x 231404 20 x 233810 1 x 332004 6 x 923700 2 x 234914	PIVOT PIN - ESK RETAINING PIN SPRING CAM MKL SHIN STOP SPRING PATELLA THOMSON 'Blue' NYLINER PLASTIC BRG ALIGNMENT PIN ESK+

 SAKL Service Kit	SAKL Service Kit	1 x 234314 1 x 234315 2 x 234310 2 x 923700	PATELLA - NEW SAKL PATELLA RETAINER - NEW SAKL BUFFER - NEW SAKL THOMSON 'Blue' NYLINER PLASTIC BRG.
---	------------------	--	---



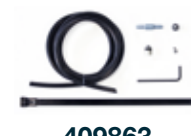
Snubber Kits





Snubber kits for the Multiflex range and the Navigator Foot.

Part No.	Product Name	Comprises of:	Description
 409002	MULTIFLEX LIGHT DUTY SNUBBER KIT-60 DEG (White)	1x 400006 1 x 400704 1 x 924130 1 x 400020	SNUBBER WHITE RETAINING COLLAR O SEAL WASHER
 409003	MULTIFLEX LIGHT DUTY SNUBBER KIT-70 DEG (Orange)	1x 400007 1 x 400704 1 x 924130 1 x 400020	SNUBBER ORANGE RETAINING COLLAR O SEAL WASHER
 409004	MULTIFLEX LIGHT DUTY SNUBBER KIT-80 DEG (Blue)	1x 400008 1 x 400704 1 x 924130 1 x 400020	SNUBBER BLUE RETAINING COLLAR O SEAL WASHER
 409007	MULTIFLEX STANDARD SNUBBER KIT-60 DEG (White)	1x 400015 1 x 500022 1 x 400020	SNUBBER WHITE SNUBBER SUPPORT WASHER
 409008	MULTIFLEX STANDARD SNUBBER KIT-70 DEG (Orange)	1x 400016 1 x 500022 1 x 400020	SNUBBER ORANGE SNUBBER SUPPORT WASHER
 409009	MULTIFLEX STANDARD SNUBBER KIT-80 DEG (Blue)	1x 400017 1 x 500022 1 x 400020	SNUBBER BLUE SNUBBER SUPPORT WASHER

Sockets, Locks and Valves





A range of socket suspension kits.

Part No.	Product Name	Comprises of:	Description
 109108	EXT PROSTHESIS CONN SOCKET LOCK	1 x 109208 1 x 100807 1 x 936116 1 x 100805	SOCKET LOCK ASSY SPACER CAP PROTECTIVE BLACK DIA 8x25L LOCK ROD
 409663	ECHELON VAC SOCKET CONNECTION KIT	1 x 929062 1 x 409763 1 x 929051 1m x 905464 1 x 950929 1 x 929060	ARIA HYBRID VALVE CA300-HYV VALVE BLOCK ASSEMBLY INLINE FILTER 5 MICRON 1/8" I/D TUBE BARB VAC TUBING SILICONE 1.6 ID x 5 OD BLACK CABLE TIE RELEASABLE L200 W7-8 BLACK SYRINGE ASSY 20ml
 409863	ECHELON VAC CHECK VALVE SERVICE KIT	2 x 929057 1 x 910464 1 x 940233 1 x 929051 1 x 950929 1m x 905464	CHECK VALVE CARTRIDGE 5/16" O/D SCREW SKT BUTTON HD M3x5 ST STL SOCKET SCREW KEY 2.0mm INLINE FILTER 5 MICRON 1/8" I/D TUBE BARB CABLE TIE RELEASABLE L200 W7-8 BLACK VAC TUBING SILICONE 1.6 ID x 5 OD BLACK

 BSL Kit	BLATCHFORD SOCKET LOCK KIT	1 x 100802 1 x 925012 1 x 100808 1 x 910472 1 x 100804	LOCK CYLINDER SPRING 9.14 DIA X 12.7 LG LOCK PISTON SCREW-SET.HEX.SKT M4x8 S/STEEL RELEASE KNOB
 099132	TF SUCTION SOCKET VALVE KIT - STANDARD	1 x 093203 1 x 924137 1 x 099232 1 x 940046 1 x 093205	VALVE HOUSING O RING VALVE BODY ASSY VALVE KEY RECESSING DISC
 099134	TF SUCTION SOCKET VALVE KIT - LARGE	1 x 093402 1 x 924142 1 x 099334 1 x 093403 1 x 940046	VALVE HOUSING O RING VALVE BODY ASSY RECESSING DISC 38 DIA VALVE KEY
 099135	TF FLEXIBLE SOCKET VALVE KIT - LARGE	1 x 099334 1 x 093501 1 x 093502 1 x 093503 1 x 940663 1 x 940046	VALVE BODY ASSY VALVE BODY HOUSING NUT SUCTION SKT VALVE RECESSING DISC SUCT SKT VALVE FORMER SUCTION SKT VALVE VALVE KEY


Transfemoral Alignment Kits






Socket attachment & alignment kits for ESK+ ESK+ MKL & SMART IP.

Part No.	Product Name	Comprises of:	Description
 189805	TF ALIGNMENT KIT - SHORTENING (-10mm)	1 x 180001 1 x 189205	ALIGNMENT NUT AK SKT PLATE & BOLT NO SPACER
 189806	TF ALIGNMENT KIT - STANDARD	1 x 180001 1 x 180003 1 x 189206 1 x 189405 1 x 189406	ALIGNMENT NUT ALIGNMENT WASHER AK SKT PLATE & BOLT 10mm SPACER AK UPPER ALIGNMENT COUPLING SPACER-FLAT ALIGNMENT 10mm
 189807	TF ALIGNMENT KIT - LENGTHENING (+10mm)	1 x 180001 1 x 182907 1 x 189406	ALIGNMENT NUT AK SKT PLATE & BOLT 20mm SPACER SPACER-FLAT ALIGNMENT 10mm
 239032	TF ALIGNMENT KIT LENGTHENING	1 x 180011 1 x 180021 1 x 239033 1 x 234718	SOCKET PLATE CHASSIS BOLT M10 x 28.6LG MIN BUILD HEIGHT COUPLING T NUT ADAPTOR M10

Torsion Devices




Spare parts for the TT Pro.

Part No.	Product Name	Comprises of:	Description
 TTP 0.5 TKit	TT PRO TORSION KIT 0.5Nm	1x 405031 2x 406013 1x406007	WASHER BS6564 SPRING CAP WASHER - TTPO TORSION ROD - 0.5Nm / DEG - TT PRO

 TTP 0.6 TKit	TT PRO TORSION KIT 0.6Nm	1x 405031 2x 406013 1x406008	WASHER BS6564 SPRING CAP WASHER - TTPO TORSION ROD - 0.6Nm / DEG - TT PRO
 TTP 0.7 TKit	TT PRO TORSION KIT 0.7Nm	1x 405031 2x 406013 1x 406009	WASHER BS6564 SPRING CAP WASHER - TTPO TORSION ROD - 0.7Nm / DEG - TT PRO
 TTP S-B Kit	TT PRO SPRING KIT - (Black)	1x 405031 2x 406013 1x 406016	WASHER BS6564 SPRING CAP WASHER - TTPO CAPPED SPRING 14kg / mm BLACK
 TTP S-P Kit	TT PRO SPRING KIT - (Purple)	1x 405031 2x 406013 1x 406014	WASHER BS6564 SPRING CAP WASHER - TTPO CAPPED SPRING 8kg / mm PURPLE
 TTP S-W Kit	TT Pro Spring Kit - (White)	1x 405031 2x 406013 1x 406015	WASHER BS6564 SPRING CAP WASHER - TTPO CAPPED SPRING 11kg / mm WHITE

Transtibial Alignment Kits

Transtibial socket attachment & alignment kits.

Part No.	Product Name	Comprises of:	Description
 189906	TT ALIGNMENT KIT - STANDARD	1 x 189305 1 x 189505 1 x 180003 1 x 180001	BK SKT.PLATE & BOLT(NO SPACER) BK UPPER ALIGNMENT COUPLING ALIGNMENT WASHER ALIGNMENT NUT
 339008	TOP HOUSING FOR TT - 30mm	1 x 330118 1 x 910048 1 x 916150	DEMOUNTABLE B/K ADAPTOR 30mm SCREW CAP HEAD M6 X 12LG WASHER LOCK M6
 339240	LONG STUMP ADAPTOR 30mm DIA	1 x 390102 1 x 334004 1 x 334003 1 x 390103 1 x 180506 2 x 180502 1 x 180501	FOOT BOLT - 3/8"UNF x 2 ANKLE DISARTICULATION WASHER - 30mm BK LONG STUMP ADAPTOR BK LONG STUMP ADAPTOR Ø30MM SOCKET PLATE - SYMES ANKLE DISARTICULATION B/K FRICTION DISC FRICTION DISC - (FLAT ALIGN) ALIGN COUPLING UPPER B/K



Liners



Blatchford Liners for Trans-Tibial Amputees

Blatchford offer two liner technologies:

- **Silcare Breathe:** Liners that are designed to keep skin dry, cool and healthy. This range of liners are designed with perforations to specifically overcome issues with sweat; helping to maintain a dry, comfortable and secure connection.
- **Silcare:** Liners designed to reduce shear forces within the socket resulting in greater comfort at the skin/liner interface.

Both ranges are available in:

- Two silicone Durometer levels described as **Walk** or **Active**
- **Cushion** or **Locking** options

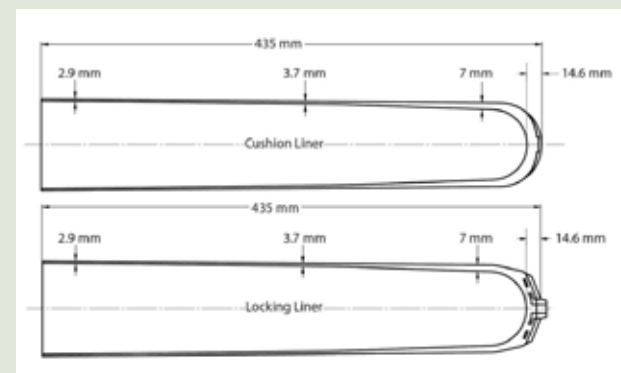
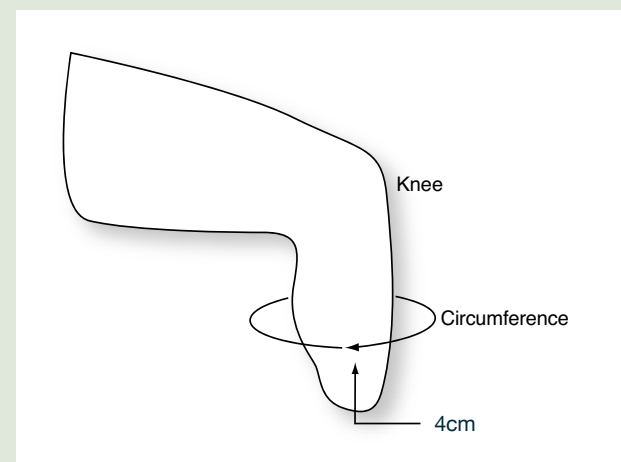
Silcare Breathe Liner Range

Product Range	Technology Description	Description
Silcare Breathe ACTIVE	The patented technology of Silcare Breathe works by letting the air and perspiration that are often trapped between the liner and skin escape through specially designed laser drilled perforations. The air and moisture are then expelled from the socket as the wearer walks. Resulting in drier skin and a healthier environment for the residual limb. This helps to increase comfort and control and reduce the damaging effects of relative motion on damp tissues that is often encountered with standard prosthetic liners.	Blatchford's original liner range using a firmer silicone. Designed to give a firmer interface between the residual limb and the liner, which is suited to more active users .
Silcare Breathe WALK		Utilises a softer silicone designed to provide optimal comfort and control for low to moderately active wearers who have more sensitive and fragile residual limbs.

Guide to Measurements

Liners

How to size, measurements taken 4cm from the distal end, depending on liner brand as shown.



Silcare Breathe Active

(previously Silcare Breathe)

Blatchford's original liner range using a firmer silicone. Suitable for more **active users** i.e. those who have an activity level of 3 or 4

Features

- Firmer silicone for firmer connection between residual limb and liner
- Improvements in residual limb health and wound healing, compared to non-perforated liners
- Improved heat dissipation compared to other temperature regulation solutions
- Removes sweat from skin-liner interface.
- Reduces the need to remove prosthesis throughout the day to dry residual limb, compared to non-perforated liners
- Easy to don
- Seamless bi-directional stretch to improve comfort and contouring. Shear forces on the knee are reduced as it flexes
- Tendresse™ finish provides a lower coefficient of friction than standard silicone, reducing shear stresses on skin
- 6 month warranty

Cushion System – use in conjunction with a one way valve and airtight suspension sleeve helps to generate a better vacuum and more secure fit.

Locking System

- Uni-directional stretch distally resists pistoning whilst bi-directional stretch proximally allows for comfortable knee flexion.
- Locking system and unique one way valve create an airtight seal between the skin and the inner surface of the liner. No separate suspension sleeve is required making knee flexion easier, creating a cooler environment for skin and a more comfortable limb and socket connection.



Silcare Breathe Active Liner - Cushion
Silcare Breathe Active Liner - Locking

Part Numbers

Name Breakdown	Product Name	Type	User	Type	Shape	Size
Part No	SB	A or W	TT	C or L	Parallel	Size
					P	22-40

Sizing Chart

Measure the circumference of the residual limb 4 cm up from its distal end. If the circumference of the residual limb matches one of the sizes in the table, choose the next size down. If the circumference of the residual limb is between one of the sizes in the table, choose the smaller size.

Silcare Breathe Active

Cushion Range		Locking Range	
Size	New Part Number	Size	New Part Number
22cm	SBATTCP22	22cm	SBATTLP22
23.5cm	SBATTCP23	23.5cm	SBATTLP23
25cm	SBATTCP25	25cm	SBATTLP25
26.5cm	SBATTCP26	26.5cm	SBATTLP26
28cm	SBATTCP28	28cm	SBATTLP28
30cm	SBATTCP30	30cm	SBATTLP30
32cm	SBATTCP32	32cm	SBATTLP32
34cm	SBATTCP34	34cm	SBATTLP34
36cm	SBATTCP36	36cm	SBATTLP36
40cm	SBATTCP40	40cm	SBATTLP40

Silcare Breathe Walk

Silcare Breathe Walk has been made using a softer silicone to improve cushioning especially at the distal end. This range of liners are designed to be more flexible, softer and provide increased comfort. The softer silicone also improves the stretch of the liner. The increased longitudinal stretch makes knee-flexion easier whilst increased circumferential stretch allows the liner to conform more easily and comfortably to the thigh. Available in both Locking and Cushion versions, the Silcare Breathe Walk range benefits the low to moderate wearers and those with more sensitive or fragile residual limb tissue.

Features - Cushion and Locking

- Softer silicone for improved cushioning of the residual limb
- Improvements in residual limb health and wound healing, compared to non-perforated liners
- Improved heat dissipation
- Removes sweat from skin-liner interface.
- Reduces the need to remove prosthesis throughout the day to dry residual limb, compared to non-perforated liners
- Easy to don
- Bi-directional stretch improves comfort and contouring and reduces shear force at the knee during flexion
- Tendresse™ finish provides a lower coefficient of friction than standard silicone, reducing shear stresses on skin

Locking version only:

- Technical knitted outer cover has integrated distal matrix with uni-directional stretch to resist pistoning
- Seamless knitting technology allows a smoother transition between the bi-directional and uni-directional stretch zones
- Flexi-umbrella - inverts easily to facilitate optimal donning

Sizing Chart

Measure the circumference of the residual limb 4 cm up from its distal end. If the circumference of the residual limb matches one of the sizes in the table, choose the next size down. If the circumference of the residual limb is between one of the sizes in the table, choose the smaller size.

Silcare Breathe Walk

Cushion Range		Locking Range	
Size	Part Number	Size	Part Number
22cm	SBWTTCP22	22cm	SBWTTLP22
23.5cm	SBWTTCP23	23.5cm	SBWTTLP23
25cm	SBWTTCP25	25cm	SBWTTLP25
26.5cm	SBWTTCP26	26.5cm	SBWTTLP26
28cm	SBWTTCP28	28cm	SBWTTLP28
30cm	SBWTTCP30	30cm	SBWTTLP30
32cm	SBWTTCP32	32cm	SBWTTLP32
34cm	SBWTTCP34	34cm	SBWTTLP34
36cm	SBWTTCP36	36cm	SBWTTLP36
40cm	SBWTTCP40	40cm	SBWTTLP40



Silcare Breathe Walk Liner - Cushion
Silcare Breathe Walk Liner - Locking

Kits for Silcare Breathe

Valve Kits

- 559015 Silcare Breathe Locking Valve Kit - Liner Sizes - 22, 23, 25
- 559016 Silcare Breathe Locking Valve Kit - Liner Sizes - 26, 28
- 559017 Silcare Breathe Locking Valve Kit - Liner Sizes - 30, 32, 34
- 559018 Silcare Breathe Locking Valve Kit - Liner Sizes - 36, 40

Casting Dummy Kit

- 559019 Silcare Breathe Casting Dummy Kit for Locking - all sizes

Silcare Active

(previously Comfort)

Silcare Active is gentle on fragile skin and is best suited to those with well covered residual limbs. The fabric cover with integrated matrix contours perfectly to the limb and zonal stretch areas allow comfortable knee flexion but resist distal stretch which would result in pistoning.

Features

Cushion version:

- Seamless bi-directional stretch to improve comfort and contouring
- Tendresse™ finish reduces shear stress on the skin
- 6 month warranty

Locking version:

- Pin lock version suitable for a variety of lock and pin types
- Stabilising external matrix with integrated stretch zones
- Tendresse™ finish reduces shear stress on the skin
- 6 month warranty



Silcare Active Liner - Cushion
Silcare Active Liner - Locking

Part Numbers

	Product Name	Type	User	Type	Shape	Size
Name Breakdown	Silcare	Active or Walk	Transtibial	Cushion or Locking	Parallel	Size
Part No	S	A or W	TT	C or L	P	22-40

Sizing Chart

Measure the circumference of the residual limb 4 cm up from its distal end. If the circumference of the residual limb matches one of the sizes in the table, choose the next size down. If the circumference of the residual limb is between one of the sizes in the table, choose the smaller size.

Silcare Active

Cushion Range		Locking Range	
Size	New Part Number	Size	New Part Number
22cm	SATTCP22	22cm	SATTLP22
23.5cm	SATTCP23	23.5cm	SATTLP23
25cm	SATTCP25	25cm	SATTLP25
26.5cm	SATTCP26	26.5cm	SATTLP26
28cm	SATTCP28	28cm	SATTLP28
30cm	SATTCP30	30cm	SATTLP30
32cm	SATTCP32	32cm	SATTLP32
34cm	SATTCP34	34cm	SATTLP34
36cm	SATTCP36	36cm	SATTLP36
40cm	SATTCP40	40cm	SATTLP40

Silcare Walk

Silcare Walk liners have been developed using a softer silicone to improve the cushioning especially at the distal end. This range of liners is designed to be more flexible, softer and provide increased comfort. The softer silicone gives less restriction on the limb, making knee flexion easier and enabling the liner to conform easily to the thigh. Available in both Locking and Cushion versions, the Silcare Walk range benefits the low to moderate wearers and those with more sensitive or fragile residual limbs.

Features

- Softer silicone for improved cushioning
- Less restriction on the limb
 - Easier knee flexion (3 x more longitudinal stretch)
 - Conforms easily to thigh (2 x more circumferential stretch)
- Easy to don
- Bi-directional stretch improves comfort and contouring and reduces shear force on the knee during flexion
- Tendresse™ finish provides a lower coefficient of friction than standard silicone, reducing shear stresses on skin

Locking version:

- Technical knitted outer cover has integrated distal matrix with uni-directional stretch to resist pistoning.
- Seamless knitting technology allows a smoother transition between the bi-directional and uni-directional stretch zones.
- Flexi-umbrella - inverts easily to facilitate optimal donning



Silcare
Walk
Liner -
Cushion



Silcare
Walk
Liner -
Locking

Sizing Chart

Measurements taken 4cm from the distal end.

Silcare Walk

Cushion Range		Locking Range	
Size	Part Number	Size	Part Number
22cm	SWTTCP22	22cm	SWTTLP22
23.5cm	SWTTCP23	23.5cm	SWTTLP23
25cm	SWTTCP25	25cm	SWTTLP25
26.5cm	SWTTCP26	26.5cm	SWTTLP26
28cm	SWTTCP28	28cm	SWTTLP28
30cm	SWTTCP30	30cm	SWTTLP30
32cm	SWTTCP32	32cm	SWTTLP32
34cm	SWTTCP34	34cm	SWTTLP34
36cm	SWTTCP36	36cm	SWTTLP36
40cm	SWTTCP40	40cm	SWTTLP40



Cosmesis

Ankle



Ankle cosmesis for Multiflex low profile feet.

Part Numbers

	Left	Right	Size
Low Profile Feet			
Multiflex Foot/	561068	561069	22/23/24
Slim Multiflex	561070	561071	25/26
	561072	561073	27/28
	561074	561075	29/30
Super SACH Foot	P561081	P561081	All Sizes

Universal TT Fairing

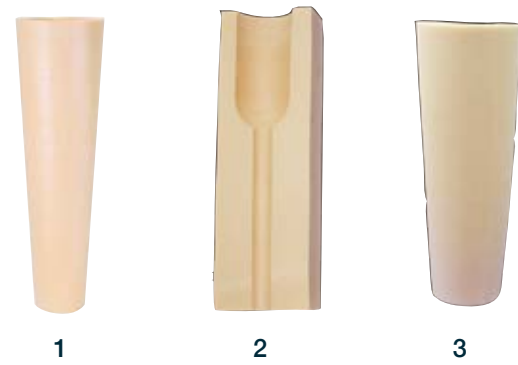


Universal trans-tibial shape cosmesis foam fairing with ankle clearance.

Part Numbers

Fairing Unshaped for 30mm tube	560047
--------------------------------	--------

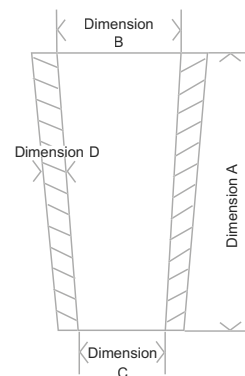
TT



Plastazote cone for trans-tibial cosmesis.

Part Numbers - 1

Dimensions				
A	B	C	D	Number
470	135	85	27	561014
470	155	85	27	561015
470	175	85	27	561012
Universal unshaped, 30/35mm				561077



Part Number - 2

30mm TT 2 step PE foam block	560043
------------------------------	--------

Part Number - 3

30mm TT 2 step PU foam	560040
------------------------	--------

Demountable



Trans-femoral foam for demountable knees.

Part Numbers

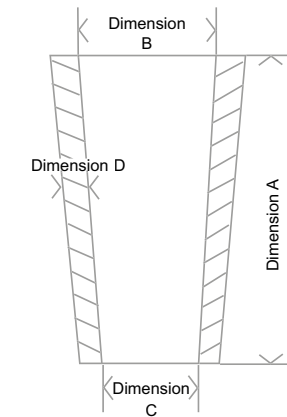
Fairings for Blatchford Knees

Fairing Shaped Small Left (Compatible with ESK+, Smart IP, and Mercury Knee)	561095
Fairing Shaped Small Right (Compatible with ESK+, Smart IP, and Mercury Knee)	561096
Fairing Shaped Large Left (Compatible with ESK+, Smart IP, and Mercury Knee)	561097
Fairing Shaped Large Right (Compatible with ESK+, Smart IP, and Mercury Knee)	561098

Universal Fairings

Internal 55mm bore extends 200mm below knee centre	560031
Internal 55mm bore extends 50mm below knee centre (Compatible with Compact SAKL)	560032
Fairing Universal Unshaped (Compatible with ESK+, Mercury and KX06)	561094
Fairing Universal Unshaped Long (Suitable for through hip or tall patients)	561020

TF Thigh



Plastazote thigh fairing for upper part of discontinuous cosmesis.

Part Numbers

Dimensions				
A	B	C	D	Number
450	175	115	27	561001
450	200	140	27	561004
450	190	140	12	561051
450	150	100	12	561052

Wheelchair



Pre-shaped wheelchair cosmetic. Available in UK only.

Part Number

Pre-shaped cosmetic limb

560030

Durafoam



Durafoam fairing with low resistance knee flexion section to optimise gait changes

Foam fairing with low resistance knee flexion region.

Part Number

Durafoam knee fairing for use with Orion3 and Linx

561093

Detachable cosmetic cover

561101BLACK

TT Fabric



Part Numbers

Size	Foot Size	Colour Code	Light Tone	Medium Tone	Dark Tone
1	22 - 25	Yellow	571251	571253	571252
2	24 - 27	Blue	571261	571263	571262
3	26 - 30	Red	571271	571273	571272

Supplied in packs of two

TF Fabric



Part Numbers

Size	Foot Size	Colour Code	Light Tone	Medium Tone	Dark Tone
1	22 - 25	Yellow	571201	571203	571202
2	24 - 27	Blue	571211	571213	571212
3	26 - 30	Red	571221	571223	571222

Supplied in packs of two

HD Fabric



Part Numbers

Size	Foot Size	Colour Code	Light Tone	Medium Tone	Dark Tone
4	26 - 30	Green	571231	571233	571232

Supplied in packs of two

Stockings



Part Numbers

Unseamed toe, white nylon, 30 denier x 1.25m 909209

Unseamed toe, brown nylon, 30 denier x 1.25m 909212

Supplied individually

Valves and Accessories



Socket Connection Kit*
409663

*For EchelonVAC and AvalonK2VAC products only

Aria Valve Plus CA200-AVPM
929074



Threaded housing - metric for Aria Valve
S-0000466



VAC Barb 90 DEG 10-32 UNF to 1/8 ID BARB
929055



One-way check valve
929054



In-line filter
929051



Check Valve Service Kit
409863

*For EchelonVAC and AvalonK2VAC products only

Aria Hybrid Valve
929062



Vacuum tubing 1m length
905464



Aria AK Valve
S-0000463



Aria Universal Mini Valve
S-0000464



Aria Valve Plus CA200-AVPM 929074



Valve Block Assembly*
409763

*For EchelonVAC and AvalonK2VAC products only.

Blatchford Socket Lock



- A robust socket lock for silicone and gel liners
- Ratchet operation provides audible feedback for amputee
- Can be laminated or thermoformed into position

Part number:

- 109108 Socket Lock
- 109308 M10 Lock Rod Assembly
- 109408 1/4" UNC Lock Rod Assembly
- BSLKit Blatchford Socket Lock Kit

Blatchford Socket Valves



Part number:

- Trans-femoral Suction Socket Valve Kit:
 - 099132 standard 19mm dia. orifice
 - 099134 large 24mm dia. orifice
- Trans-femoral, Flexible Socket Valve Kit:
 - 099135 large 24mm dia. orifice

Warranty Listing

Integrated Limb System	
Linx	36 months*
Knees	
Orion3	36 months*
SmartIP – all variants, brake band 12 months only	24 months
KX06	36 months
Mercury – all variants	36 months
ESK+ - all variants, brake band 12 months only	24 months
BMK2	24 months
Compact SAKL	24 months
Aqualimb TF	24 months
Child's 4-bar Knee	24 months
Feet	
Elan	36 months*
ElanIC	36 months*
BladeXT (excluding paintwork and sole cover)	24 months
Mini BladeXT (excluding paintwork and sole cover)	24 months
Elite BladeVT	36 months
Elite Blade	36 months
EliteVT	36 months
Elite2	36 months
EchelonVT	36 months
Echelon	36 months
EchelonER	36 months
EchelonVAC	36 months
Javelin	36 months
Epirus	36 months
Esprit	36 months
Navigator	24 months
AvalonK2	24 months
AvalonK2VAC	24 months
Multiflex - all variants	24 months
Super SACH	24 months
Aqualimb	24 months

Controls	
SmartIP	24 months
PSPC	24 months
Blatchford Hydraulic Cylinders - all variants	24 months
Service Exchange Products	
Blatchford units - all variants	12 months
SmartIP	18 months
Ankles, Adapters and Shins	
Multiflex Ankles	24 months
Ankle Snubbers	3 months
All Adapters & Tubes	24 months
Toe Spring Kits	36 months
Shins	24 months
TT Pro – all variants	24 months
Liners and Sleeves	
Silcare Breathe Liners	6 months
Silcare Liners	6 months
Blatchford Comfort Liners	6 months
Suspension Sleeves	1 month
Foot Shells and Cosmesis	
Foot Shell	12 months
Cosmetic Items (Fairings, Coverings, Kneeballs etc)	1 month
Glide Sock	3 months
Cosmetic Cover (Orion3/Linx)	6 months

See Blatchford website for current full warranty statement.

Warranty periods commence from the original date of shipment unless otherwise stated.

Note: Any warranty on repaired or replaced items is governed by the original date as the remaining warranty period from the original purchase must be maintained.

*Extended warranty is available on request; contact your service provider.

Global Warranty Statement

Blatchford Group warrants its products for a period of time against defects in Blatchford material and workmanship (“Manufacturing Defect”). The warranty period applies from the date of the first shipment of the Product to you (the “Original Shipment Date”), unless otherwise specified.

In the event that a Manufacturing Defect is discovered during the warranty period, Blatchford will, at its discretion, repair or replace the affected part or device. If repair is not possible, Blatchford will replace it with another of equivalent function. If this is not possible, Blatchford will refund the purchase price associated with the Manufacturing Defect. Depending on the circumstances and at the discretion of Blatchford, this might be a refund of a specific part of, or the whole device. The warranty of the repaired or replaced part is limited to the remaining warranty period from the Original Shipment Date.

To the extent permitted by local law, the warranty coverage is limited to an amount equivalent to the cost of the original failed part (or where applicable, device) and excludes all associated or related costs. For the sake of clarity, the phrase “all associated or related costs” includes but is not limited to associated parts, assembly and disassembly costs, transport costs, travel and handling costs and any form of compensation.

The warranty does not cover issues arising from misuse, accidental damage, neglect, wear and tear, unapproved component modifications, incorrect assembly and unless otherwise specified, immersion in water.

Specific limitation of use as detailed in the documentation supplied with the product (Instructions for Use) must be complied with. This warranty does not cover products that are modified to meet the needs of the customer where such modifications may adversely affect the lifespan of the item.

Blatchford makes no other express warranty or condition, whether written or oral. To the extent allowed by local law, any implied warranty or condition of merchantability, satisfactory quality, or fitness for a particular purpose is hereby disclaimed. Some countries/regions, states, or provinces do not allow limitations on the duration of an implied warranty, so the above disclaimer may not apply to you. This warranty gives you specific legal rights, and you may also have other rights that vary from country/region to country/region, state to state, or province to province.

To the extent allowed by local law, the remedies in this warranty statement are your sole and exclusive remedies. except as indicated above, in no event will Blatchford or its suppliers be liable for direct, special, incidental, consequential, or other damage, whether based in contract, tort, or otherwise. Some countries/regions, states, and provinces do not allow the exclusion of certain damages, in which case to the extent prohibited, the above limitations and exclusions may not apply to you.

If the product comes with a Warranty Registration Form then this must be completed and returned to the company for the warranty to be effective.

Where requested by Blatchford, a Warranty Claim Form must be fully completed and supplied with the affected part to qualify for warranty.

To make a claim under product warranty, please contact our Customer Services department.

Please be aware our Warranty Statement is subject to change - in all cases our current Warranty Statement is published on our website.

The Bluetooth® word mark and logos are registered trademarks owned by Bluetooth SIG, Inc. and any use of such marks by Blatchford is under license. Other trademarks and trade names are those of their respective owners.



An annual visual inspection is recommended. Check for visual defects that may affect proper function. Maintenance must be carried out by competent personnel. Before carrying out any new activities of daily living, please check with your clinician whether specific training is required.

+44 (0) 1256 316600 | customer.service@blatchford.co.uk
Blatchford Products Limited, Unit D Antura, Kingsland Business Park,
Basingstoke, RG24 8PZ, United Kingdom.

[@blatchfordgrp](#) | blatchfordmobility.com

936594 Iss21.3 11/23. Information correct at time of print.

Blatchford 