

KX07

For every action



Features

ALL TERRAIN STABILITY

- 4-bar geometric stability provides secure action on all terrain
- Polycentric design for optimum swing clearance
- Hydraulic control provides smooth walking
- Multi-speed ambulation stability
- Large flexion angle for tight spaces and kneeling

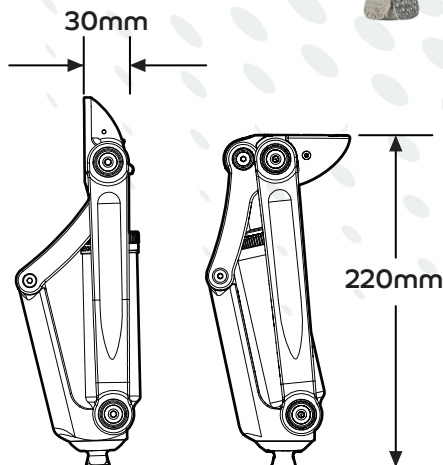
EASY TO USE

- Fine tuning of the swing and extension resistance
- Easy selection of modes for cycling and standing support
- Compatible with wide range of existing adapters
- Familiar design and technology – easy to upgrade patient
- Including A-P shift for optimized alignment

ROBUST DESIGN

- Withstands demanding activities and environments
- Sleek and sturdy aluminum frame supporting up to 330lbs
- Waterproof*
- Cover provides protection from environment

*Withstands submersion in fresh water. Device must be locked.



Technical Specification

Activity Level 3-4
Max. user weight 330lbs (K3) and 319lbs (K4)
Build Height 8 5/8"
Weight 2.9lb (excluding cover)
Knee Flexion 160°
Warranty 36 months

Ordering Information

Part Number KX07



An annual visual inspection is recommended. Check for visual defects that may affect proper function. Maintenance must be carried out by competent personnel. Before carrying out any new activities of daily living, please check with your clinician whether specific training is required.

Blatchford

@blatchfordUS | blatchfordus.com

KX07

All terrain living



The rugged knee designed for outstanding stability on all terrain

The unique, all-new KX07 features a robust, polycentric, 4-bar knee in combination with hydraulic swing and stance for a smooth, predictable operation. Engineered to provide outstanding geometric stability in all terrain for high-impact and active users.

Designed with an active lifestyle in mind, KX07 is ideal for people whose activities require a reliable knee that can withstand wet, muddy or dusty environments.

WHAT'S NEW

- Sleek and robust design
- Shorter build height by 3/8"
- Waterproof
- Choice of proximal t-slot attachments
- Self-aligning bearings protect cylinder from side loads
- Strengthened bearings
- Latch to prevent self-adjustment of swing
- Sleek protective cover

Blatchford