

# TT Pro

## Instructions for Use

TTPRO-PYR1P – TTPRO-PYR4B

TTPRO-30-1P – TTPRO-30-4B

EN	Instructions for Use	2
DA	Brugsanvisning	16
NO	Bruksanvisning	30
FI	Käyttöohjeet	44
SV	Bruksanvisning	58
RU	Инструкция протезиста	72
ZH	使用说明	86
AR	إرشادات الاستخدام	100

# Contents



Contents .....	2
1 Description and Intended Purpose .....	3
2 Safety Information .....	4
3 Construction .....	5
4 Function.....	6
5 Maintenance .....	6
6 Limitations on Use .....	6
7 Bench Alignment.....	7
8 Fitting Advice.....	8
9 Dis-assembling TT Pro Pyramid.....	8
10 Assembling TT Pro Pyramid.....	9
11 Dis-assembling TT Pro Clamp .....	10
12 Assembling TT Pro Clamp .....	11
13 Technical Data .....	12
14 Ordering Information .....	14

---

# 1 Description and Intended Purpose

These Instructions for Use are intended for use by the practitioner and user unless otherwise stated.

The term device is used throughout these instructions for use to refer to TT Pro.

Please read and ensure you understand all instructions for use, in particular all safety information and maintenance instructions.

## Application

This device is for use as a component of a lower limb prosthesis.

Intended for single user.

The device is a shock and torsion device that balances shock absorption and energy management. Reduced stress at the interface between the body and the prosthesis provides greater comfort for users.

## Activity Level

This device is recommended for users that have the potential to achieve Activity Level 3 or 4. Of course there are exceptions and in our recommendation we want to allow for unique, individual circumstances and any such decision should be made with sound and thorough justification.

Note... The maximum user weight for Level 4 users is 100 kg (220 lb).

### Activity Level 1

Has the ability or potential to use a prosthesis for transfers or ambulation on level surfaces at fixed cadence. Typical of the limited and unlimited household ambulator.

### Activity Level 2

Has the ability or potential for ambulation with the ability to traverse low-level environmental barriers such as curbs, stairs, or uneven surfaces. Typical of the limited community ambulator.

### Activity Level 3

Has the ability or potential for ambulation with variable cadence. Typical of the community ambulator who has the ability to traverse most environmental barriers and may have vocational, therapeutic, or exercise activity that demands prosthetic utilization beyond simple locomotion.

### Activity Level 4

Has the ability or potential for prosthetic ambulation that exceeds basic ambulation skills, exhibiting high impact, stress, or energy levels. Typical of the prosthetic demands of the child, active adult, or athlete.

## Contraindications

This device may not be suitable for Activity Level 1 individuals or for competitive sports events, as these types of users will be better served by a specially designed prosthesis optimized for their needs.

Ensure that the user has understood all the instructions for use, drawing particular attention to the maintenance and safety information.

## Clinical Benefits

- Reduced loading rate on the residual limb, compared to rigid pylons
- Reduced back pain when twisting, compared to rigid pylons
- Increased walking speed, compared to rigid pylons

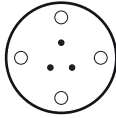
# Torsion Rod and Spring Selection

## Torsion Rod

1 = 1 dot

2 = 2 dots

3 = 3 dots



## Spring

P = Purple

W = White

B = Black



Weight kg	Impact Level		
	Low	Moderate	High
44–52	1P	2P	3W
53–59	2P	2W	3W
60–68	2P	3W	3B
69–77	2W	3W	3B
78–88	2W	3B	3B
89–100	3B	3B	3B
101–116	3B	3B	—
117–125	3B	3B	—

## 2 Safety Information



This warning symbol highlights important safety information which must be followed carefully.



Any changes in the performance or function of the limb e.g. restricted movement, non-smooth motion or unusual noises should be immediately reported to your service provider.



Always use a hand rail when descending stairs and at any other time if available.



The device is not suitable for extreme sports, running or cycle racing, ice and snow sports, extreme slopes and steps. Any such activities undertaken are done so completely at the users' own risk. Recreational cycling is acceptable.



Assembly, maintenance and repair of the device must only be carried out by a suitably qualified clinician.



The user should contact their clinician if their condition changes.



Ensure only suitably retrofitted vehicles are used when driving. All persons are required to observe their respective driving laws when operating motor vehicles.



To minimize the risk of slipping and tripping, appropriate footwear that fits securely onto the footshell must be used at all times.



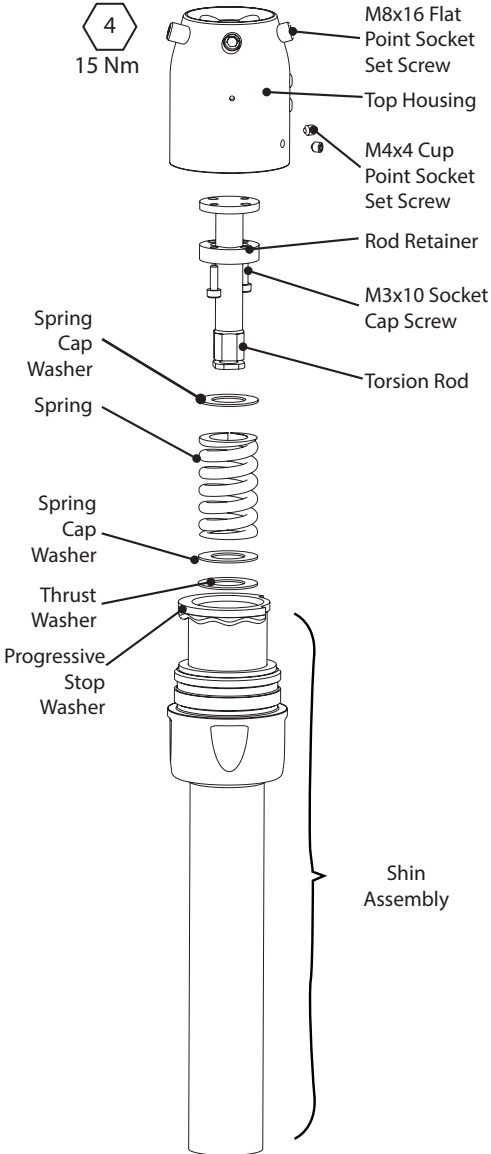
# 3 Construction

## Principal Parts

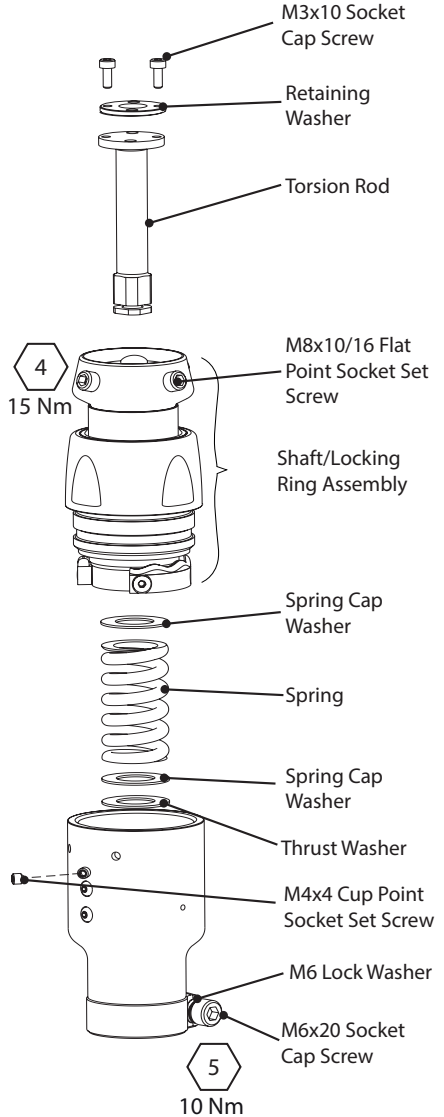
- Top Housing/ Tube Clamp Assembly (aluminum, carbon steel, stainless steel, acetal homopolymer, PTFE, PU)
- Torsion Rod (acetal homopolymer)

- Shaft/Locking Ring Assembly (stainless steel/aluminum alloy)
- Spring (carbon steel)
- Shin Assembly (stainless steel/aluminum)

### TT Pro Pyramid



### TT Pro Clamp



---

## 4 Function

The device comprises an energy efficient coil spring and a polymer torsion rod. Together, these components reduce both shear force at the socket interface during heel strike and torsional loads during turning. Energy that is stored in the axial spring during stance phase is returned at toe-off to give a smooth energy efficient gait. The bearing surfaces are coated with titanium nitride, which provides a hard-wearing low friction surface for moving parts.

---

## 5 Maintenance

The user should be advised to report the following to the practitioner:

- Changes in body weight or activity level
- Changes in the performance of this device, for example:
  - Unusual noises or play.
  - Reduced energy return.

If this device is used for extreme activity, the maintenance level and interval should be reviewed and if required advice and technical support sought to plan a new maintenance schedule dependent upon the frequency and nature of the activity. This should be determined by a local risk assessment carried out by a suitably qualified individual.

### Cleaning

Use a damp cloth and mild soap to clean outside surfaces. **Do not** use aggressive cleansers.

*The remaining instructions in this section are for practitioner use only.*

Only competent personnel should carry out maintenance.

Carry out the following maintenance annually:

- Disassemble, clean, and lubricate parts as shown in dis-assembly and assembly instruction Sections 9-12.
- Check for rotational play
- Replace the torsion rod if it's worn

---

## 6 Limitations on Use

### Intended Life

A local risk assessment should be carried out based upon activity and usage.

### Lifting Loads

User weight and activity is governed by the stated limits. Load carrying by the user should be based on a local risk assessment.

### Environment

Avoid exposing this device to corrosive elements such as water, acids and other liquids. Avoid abrasive environments such as those containing sand, as these may promote premature wear.

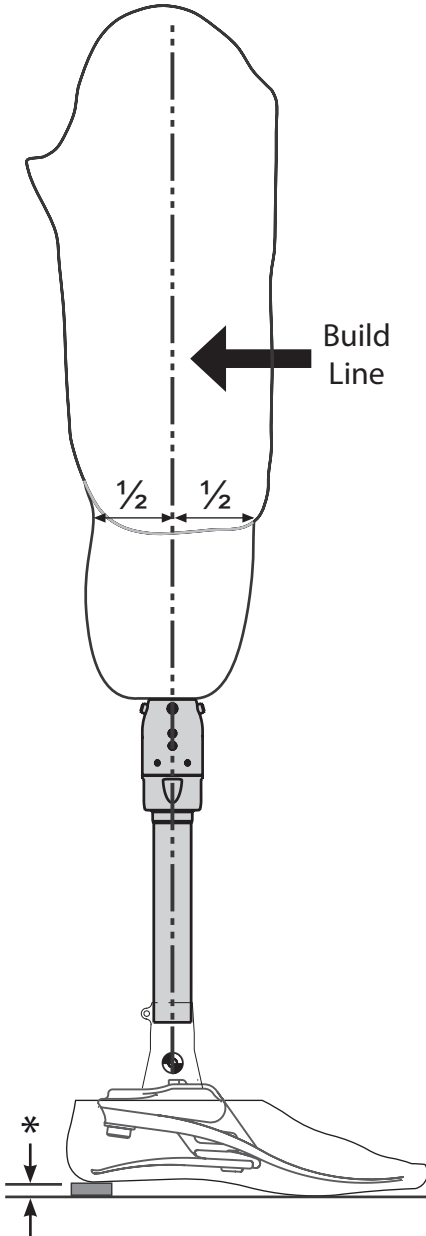
Exclusively for use between -15 °C and 50 °C (5°F and 122 °F).



Suitable for outdoor use

## 7 Bench Alignment

*The instructions in this section are for practitioner use only.*



### Additional Components

Follow the alignment instructions that are supplied with any additional components.

The build line should pass through the center of the device.

\* Allow for the user's footwear.

## 8 Fitting Advice

*The instructions in this section are for practitioner use only.*

The device uses an independent axial spring and Torsion rod to control compressive and torsional resilience. Typical axial movement should be between 5-8 mm for normal walking.

When used in combination with other devices that have an axial compression that give an overall shortening effect on the limb, the overall deflection may be excessive. In these cases, a stiffer axial spring may be appropriate. If the axial spring is changed, function should be checked to confirm that torsional compliance has been maintained.

Range of rotational movement can be affected by alignment. Excessive torsional movement coupled with instability in late stance is indicative of insufficient M-L stability and M-L positioning of the foot in relation to the weight line. If instability is lateral, reposition the foot medially, conversely if instability is medially, reposition the foot laterally. These adjustments should be checked before considering a stiffer torsion rod.

## 9 Dis-assembling TT Pro Pyramid

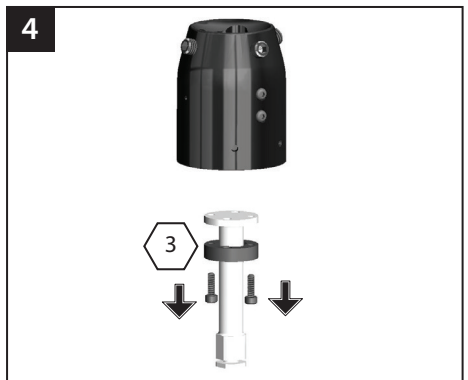
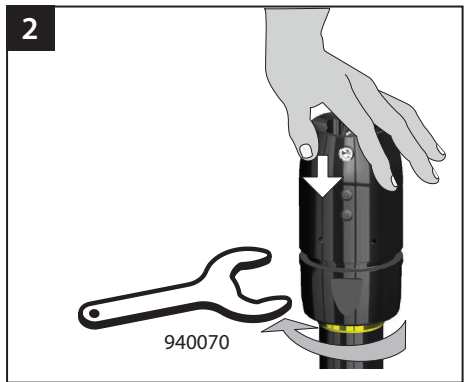
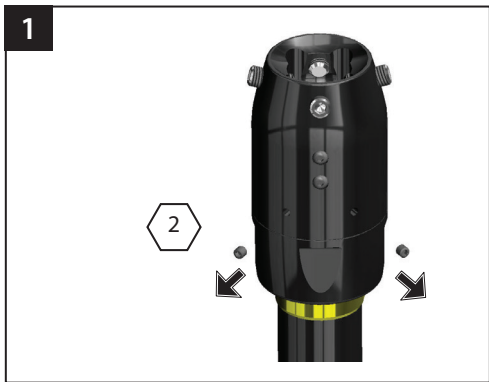
*The instructions in this section are for practitioner use only.*



**Be aware of finger trap hazard at all times.**

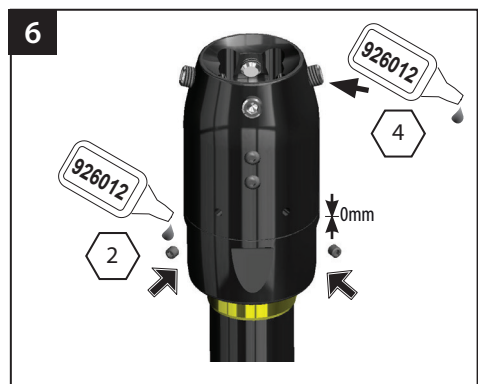
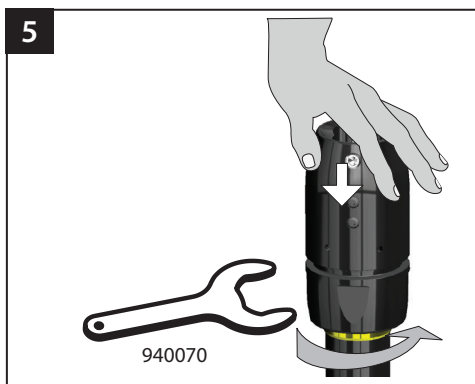
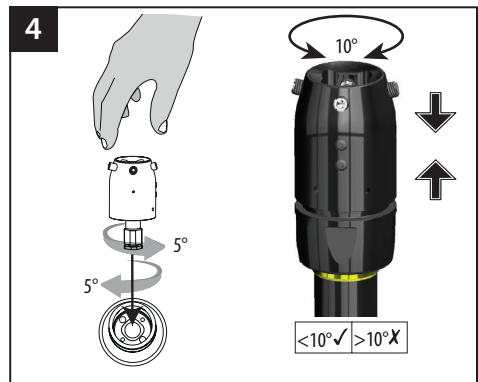
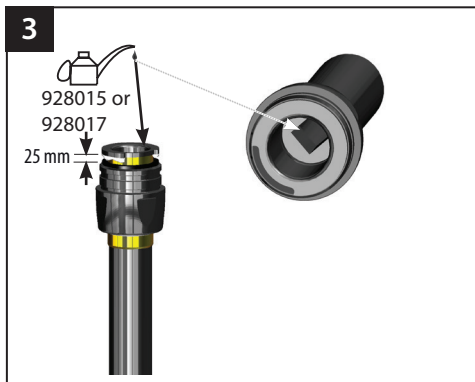
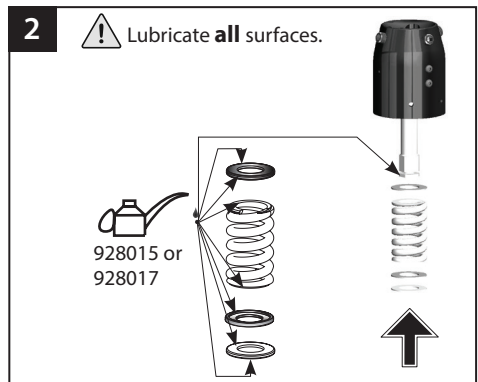


**Use appropriate health and safety equipment at all times including extraction facilities.**



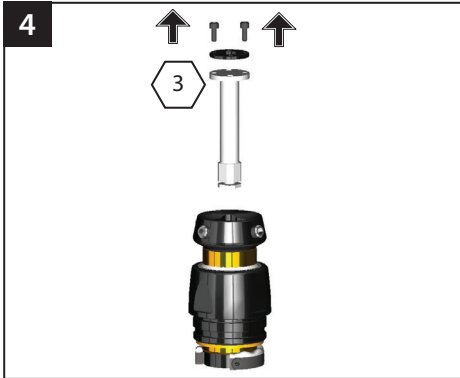
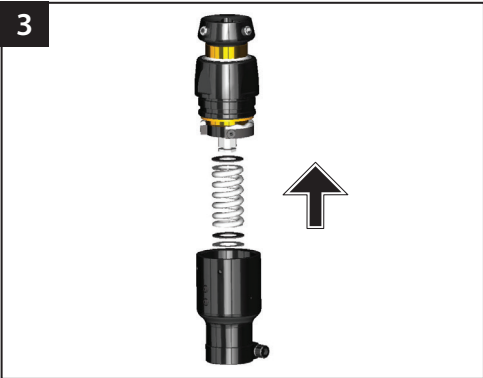
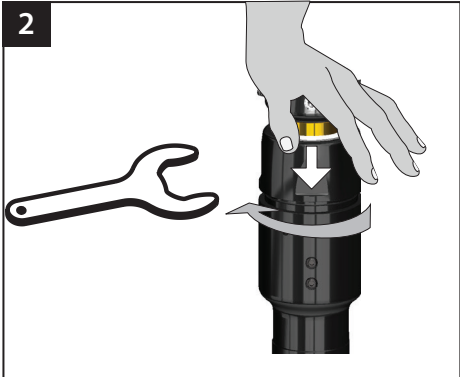
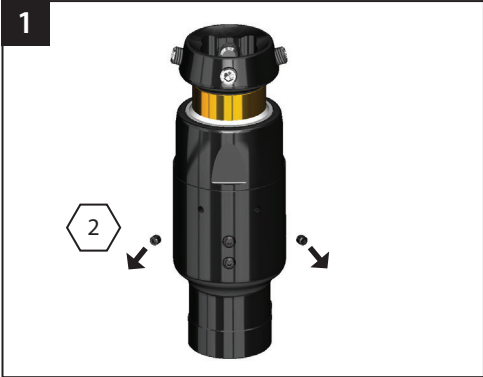
# 10 Assembling TT Pro Pyramid

The instructions in this section are for practitioner use only.



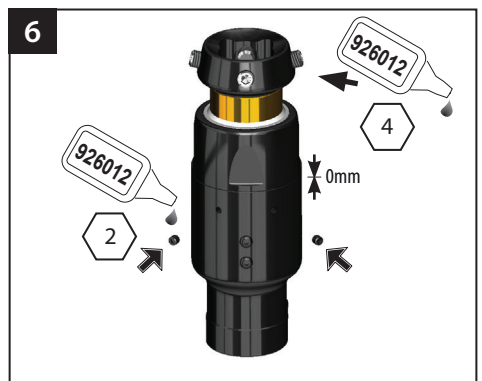
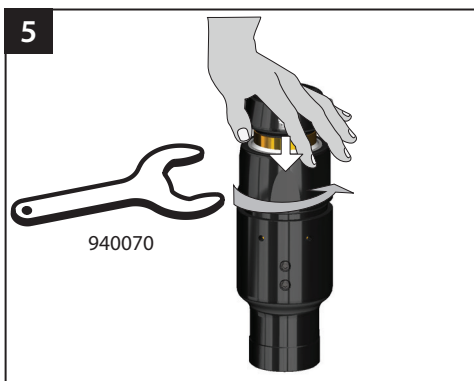
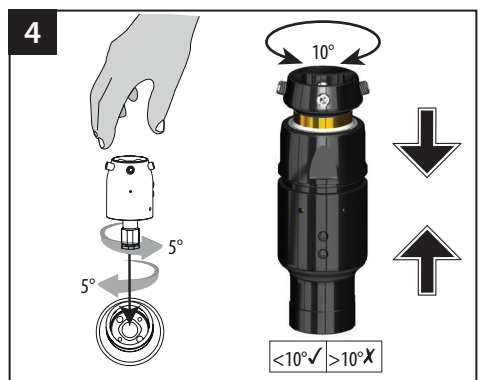
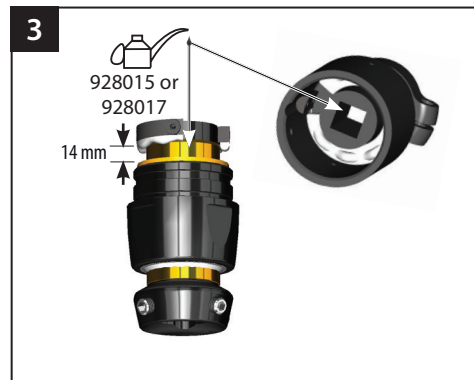
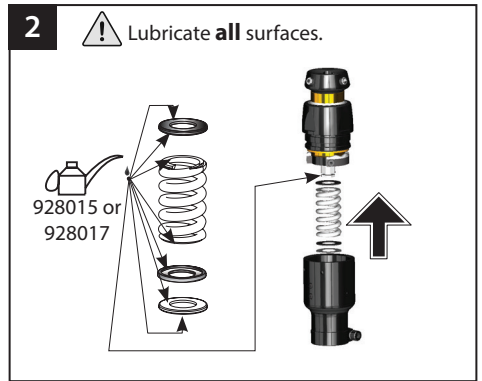
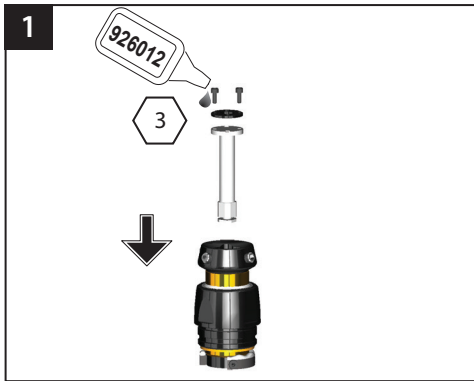
# 11 Dis-assembling TT Pro Clamp

*The instructions in this section are for practitioner use only.*



# 12 Assembling TT Pro Clamp

The instructions in this section are for practitioner use only.



---

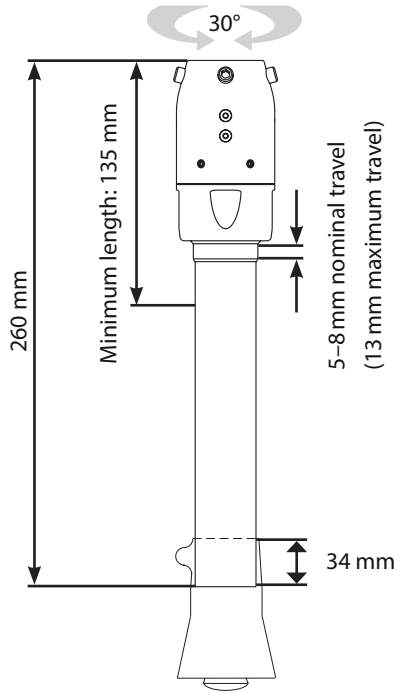
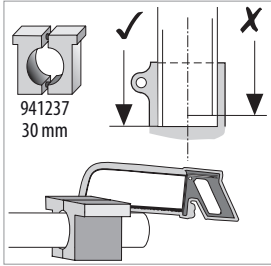
## 13 Technical Data

Operating and Storage Temperature Range:	-15 °C to 50 °C (5 °F to 122 °F)
Component Weight:	Pyramid— 523 g (18 oz) Clamp— 440 g (15 oz)
Activity Level:	1–4
Maximum User Weight:	Activity Level 1–3— 125 kg (275 lb) Activity Level 4— 100 kg (220 lb)
Range of Adjustment:	Proximal Attachment: $\pm 7^\circ$ Angular Distal Attachment: 360 ° Rotation
Build Height:	TT Pro Pyramid— 135–226 mm TT Pro Clamp— 109 mm
Proximal Attachment:	Female Pyramid (Blatchford)
Distal Attachment:	TT Pro Pyramid— Blatchford $\varnothing 30$ mm Tube Clamp TT Pro Clamp— Blatchford $\varnothing 30$ mm Tube



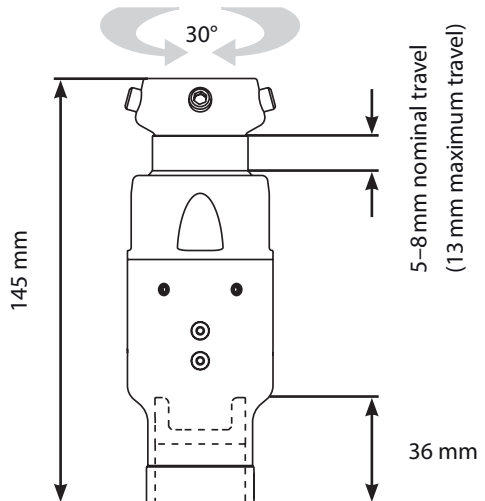
### Fitting Length: TT Pro Pyramid

Note... Fit the device with the screws facing anteriorly.



### Fitting Length: TT Pro Clamp

Note... Fit the device with the screws facing anteriorly.



# 14 Ordering Information

## Order Example

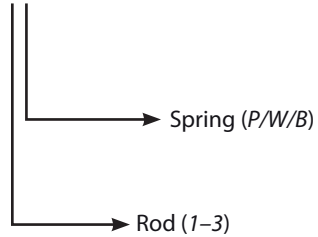
### TT PRO Pyramid

TTPRO-PYR3B



### TT PRO Clamp

TTPRO-30-3B



Part	Part Number
Torsion Rod	406007 0.5Nm (1 dot)
	406008 0.6Nm (2 dots)
	406009 0.7Nm (3 dots)
Spring	406014 Purple (P)
	406015 White (W)
	406016 Black (B)

Part	Part Number
M8x16 Flat Point Socket Set Screw	910474
M8x10 Flat Point Socket Set Screw	910476
M3x10 Socket Cap Screw	910012
M4x4 Cup Point Socket Set Screw	910013
M6x20 Socket Cap Screw	910048
M6 Lock Washer	916150
Spring Cap Washer	406013
Thrust Washer	405031
Progressive Stop Washer	406004
30 mm Shin Tube Cutting Jig	941237
TT Locking Ring Spanner	940070

## Liability

The manufacturer recommends using the device only under the specified conditions and for the intended purposes. The device must be maintained according to the instructions for use supplied with the device. The manufacturer is not liable for damage caused by the component combinations that were not authorized by the manufacturer.

## CE Conformity

This product meets the requirements of the European Regulation EU 2017/745 for medical devices. This product has been classified as a class I device according to the classification rules outlined in Annex VIII of the regulation. The EU declaration of conformity certificate is available at the following internet address: [www.blatchford.co.uk](http://www.blatchford.co.uk)



Medical Device



Single Patient – multiple use

## Compatibility

Combination with Blatchford branded products is approved based on testing in accordance with relevant standards and the MDR including structural test, dimensional compatibility and monitored field performance.

Combination with alternative CE marked products must be carried out in view of a documented local risk assessment carried out by a Practitioner.

## Warranty

This device is warranted for 24 months.

The user should be aware that changes or modifications not expressly approved could void the warranty, operating licenses and exemptions.

See the Blatchford website for the current full warranty statement.

## Reporting of Serious Incidents

In the unlikely event of a serious incident occurring in relation to this device it should be reported to the manufacturer and your national competent authority.

## Environmental Aspects

This product is constructed from recyclable materials. Where possible the components should be recycled in accordance with local waste handling regulations.

## Retaining the Packaging Label

The practitioner is advised to keep the packaging label as a record of the device supplied.

## Manufacturer's Registered Address

Blatchford Products Limited, Lister Road, Basingstoke RG22 4AH, UK.

## Trademark Acknowledgements

TT Pro and Blatchford are registered trademarks of Blatchford Products Limited.

Indhold.....	16
1 Beskrivelse og tilsigtet formål.....	17
2 Sikkerhedsinformation.....	18
3 Konstruktion .....	19
4 Funktion.....	20
5 Vedligeholdelse .....	20
6 Begrænsninger i forbindelse med brugen.....	20
7 Bænkjustering .....	21
8 Rådgivning vedrørende tilpasning.....	22
9 Afmontering af TT Pro-pyramiden.....	22
10 Afmontering af TT Pro-pyramiden.....	23
11 Afmontering af TT Pro-klemmen.....	24
12 Montering af TT Pro-klemmen .....	25
13 Tekniske data .....	26
14 Bestillingsoplysninger .....	28

# 1 Beskrivelse og tilsigtet formål

Denne brugsanvisning er beregnet til brug for den praktiserende læge og brugeren, medmindre andet er angivet.

Udtrykket anordning anvendes i hele brugsanvisningen og henviser til TT Pro.

Gennemlæs venligst hele brugsanvisningen og sørg for, at du forstår den, især alle anvisninger vedrørende sikkerhedsinformation og vedligeholdelse.

## Anvendelse

Denne anordning er beregnet til brug som en komponent i en underbensprotese.

Beregnet til en enkelt bruger.

Anordningen er en enhed, som forhindrer stød og vrid og har en afbalancerende effekt på stødabsorption og energistyring. Reduceret belastning på kontaktfladen mellem kroppen og protesen giver højere komfort for brugeren.

## Aktivitetsniveau

Denne anordning anbefales til brugere, som vil være i stand til at opnå aktivitetsniveau 3 eller 4. Der er naturligvis undtagelser, og i vores anbefaling tager vi højde for unikke, individuelle omstændigheder, og enhver sådan beslutning skal træffes med en velfunderet og grundig begrundelse.

Bemærk... Den maksimale brugervægt for brugere med niveau 4 er 100 kg.

### Aktivitetsniveau 1

Har evnen eller potentialet til at bruge en protese til overførsler eller gang på plane overflader med en jævn gangrytme. Typisk for en person, der bruger protesen til begrænset og ubegrænset gang indendørs.

### Aktivitetsniveau 2

Har evnen eller potentialet til gang og kan krydse lave forhindringer i omgivelserne såsom kantsten, trappetrin eller ujævne overflader. Typisk for en person, der bruger protesen til begrænset udendørs gang.

### Aktivitetsniveau 3

Har evnen eller potentialet til gang med en skiftende gangrytme.

Typisk for en person, der kan gå udendørs, kan krydse de fleste forhindringer i omgivelserne, og kan have erhvervs-mæssig-, terapeutisk- eller træningsaktivitet, der kræver brug af protesen til andet end simpel bevægelse.

### Aktivitetsniveau 4

Har evnen eller potentialet til at gå med en benprotese, der overgår almindelige gangfærdigheder og kan klare høje niveauer af nedslag, stres og energi. Typisk for barnets, den aktive voksnes eller atletens krav til en benprotese.

## Kontraindikationer

Denne anordning er muligvis ikke egnet til personer med aktivitetsniveau 1, eller som dyrker konkurrencesport, eftersom disse typer af brugere vil være bedre tjent med en specialfremstillet protese, som er optimeret til deres behov.

Sørg for, at brugeren har forstået hele brugsanvisningen, og gør især opmærksom på oplysningerne om vedligeholdelse og sikkerhed.

## Kliniske fordele

- Mindsket belastningsgrad på stumpen sammenlignet med stive pyloner
- Færre rygsmertesmerter under vridebevægelser sammenlignet med stive pyloner
- Øget ganghastighed sammenlignet med stive pyloner

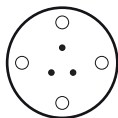
# Torsionsstang og valg af fjeder

## Torsionsstang

1 = 1 prik

2 = 2 prikker

3 = 3 prikker

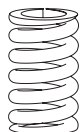


## Fjeder

L = lilla

H = hvid

S = sort



## Vægt i kg

## Belastningsniveau

Lav Moderat Høj

44–52	1P	2P	3W
53–59	2P	2W	3W
60–68	2P	3W	3B
69–77	2W	3W	3B
78–88	2W	3B	3B
89–100	3B	3B	3B
101–116	3B	3B	—
117–125	3B	3B	—

## 2 Sikkerhedsinformation



Dette advarselssymbol fremhæver vigtig sikkerhedsinformation, som skal følges nøje.



Enhver ændring i protesens ydeevne eller funktion, f.eks. begrænset bevægelse, ujævn bevægelse eller mislyde skal omgående rapporteres til serviceudbyderen.



Brug altid et gelænder, når du går ned ad trapper og på alle andre tidspunkter, når der forefindes gelænder.



Anordningen er ikke egnet til ekstremsport, løb eller cykelløb, sportsudøvelse på is eller i sne, ekstreme hældninger og trappetrin. Alle slags aktiviteter af denne art er udelukkende på brugerens egen risiko. Motionscyklung kan accepteres.



Montering, vedligeholdelse og reparation af anordningen må kun udføres af en læge med relevant uddannelse.



Brugeren skal kontakte sin læge, hvis vedkommendes tilstand ændres.



Sørg for, at der kun anvendes hensigtsmæssigt eftermonterede køretøjer under kørsel i bil. Alle personer er forpligtet til at overholde deres respektive kørebestemmelser, når de betjener motorkøretøjer.



For at minimere risikoen for at glide og snuble skal der altid anvendes passende fodtøj, der sidder sikkert fast på fodskallen.

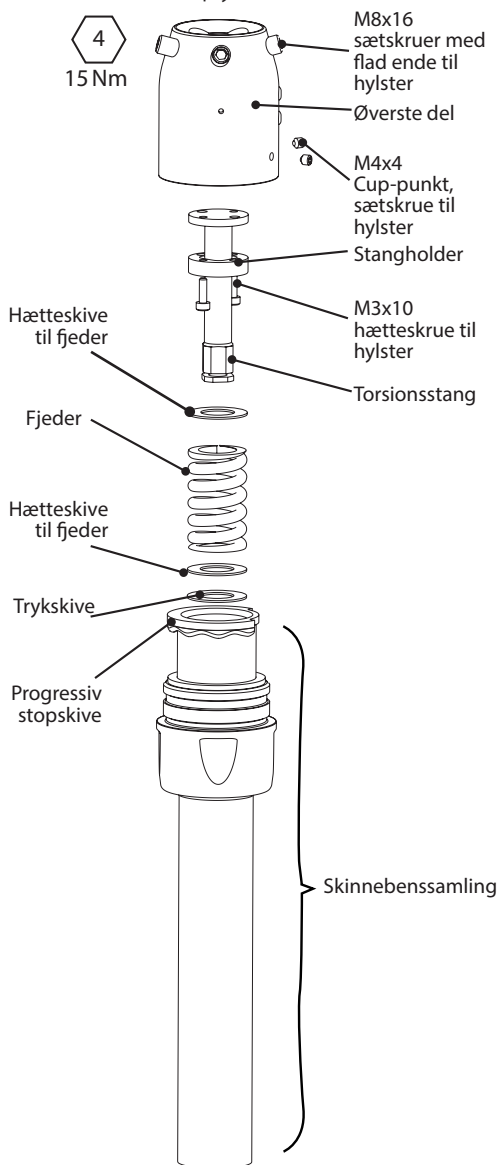
### 3 Konstruktion

#### Vigtige dele

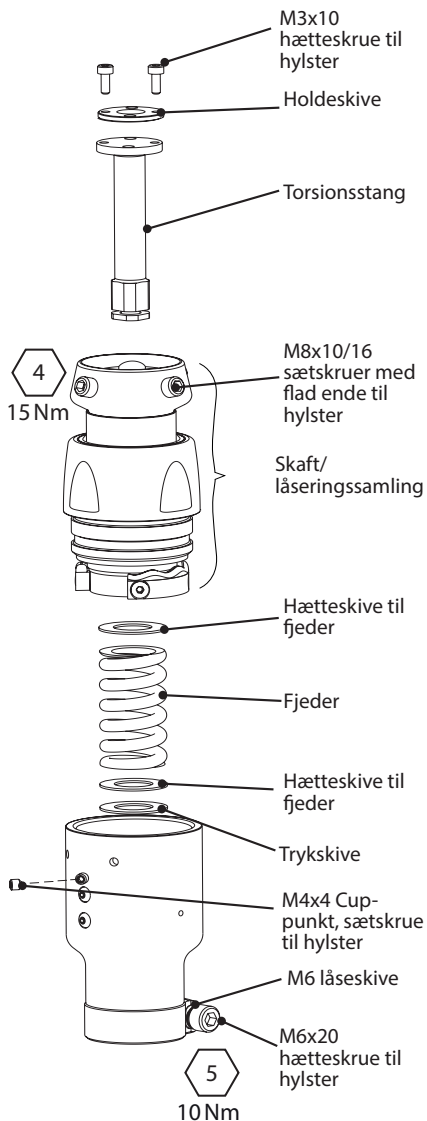
- Øverste hus/rørklemmesamling (aluminium, kulstofstål, rustfrit stål, acetal homopolymer, PTFE, PU)
- Torsionsstang (acetal homopolymer)

- Skaft/låseringssamling (rustfrit stål/aluminiumlegering)
- Fjeder (kulstofstål)
- Skinnebessamling (rustfrit stål/aluminium)

#### TT Pro pyramide



#### TT Pro-klemme



---

## 4 Funktion

Anordningen indeholder en energieffektiv skruefjeder og en torsionsstang af polymerer. Tilsammen reducerer disse komponenter både forskydningskraft ved hylsterkontaktheden under hælissæt og belastninger under drejning. Energi, der lagres i den aksiale fjeder under standfasen, returneres ved tåafsætning og sørger for en jævn, energisk gang. De bærende overflader er belagt med titannitrid, som udgør en hård overflade med lav friktion mellem de bevægelige dele.

---

## 5 Vedligeholdelse

Brugeren skal rådgives om at rapportere følgende til den praktiserende læge:

- Ændringer i kropsvægt eller aktivitetsniveau
- Ændringer i denne anordnings ydeevne, f.eks:
  - Mislyde eller slør.
  - Reduceret energireturnering.

Hvis denne anordning bruges til ekstrem aktivitet, skal niveauet og intervallet for vedligeholdelse gennemgås, og hvis det er nødvendigt, skal der søges råd og teknisk support til at lægge en ny vedligeholdelsesplan afhængigt af aktivitetens hyppighed og art. Denne bør fastslås med en lokal risikovurdering, som skal udføres af en person med relevante kvalifikationer.

### Rengøring

Brug en fugtig klud og mild sæbe til at rengøre udvendige overflader. **Brug ikke** aggressive rengøringsmidler.

*De resterende anvisninger i dette afsnit er kun beregnet for den praktiserende læge.*

Vedligeholdelse må udelukkende udføres af uddannet personale.

Udfør følgende vedligeholdelse årligt:

- Adskil, rengør og smør delene som vist i anvisningerne i afsnit 9-12 vedrørende afmontering og montering.
- Kontrollér, om der er slør under drejning.
- Udskift torsionsstangen, hvis den er for slidt.

---

## 6 Begrænsninger i forbindelse med brugen

### Forventet levetid

En lokal risikovurdering baseret på aktivitet og brugslængde skal udføres.

### Belastning ved løft af byrder

Brugerens vægt og aktivitet er underlagt de angivne grænser. Byrder, der må bæres af brugeren, skal baseres på en lokal risikovurdering.

### Miljø

Undgå at udsætte anordningen for korroderende elementer som f.eks. vand, syrer eller væsker. Undgå slibende miljøer som f.eks. dem, der indeholder sand, eftersom disse kan fremme førtidigt slid.

Må kun anvendes ved temperaturer mellem -15°C og 50°C.

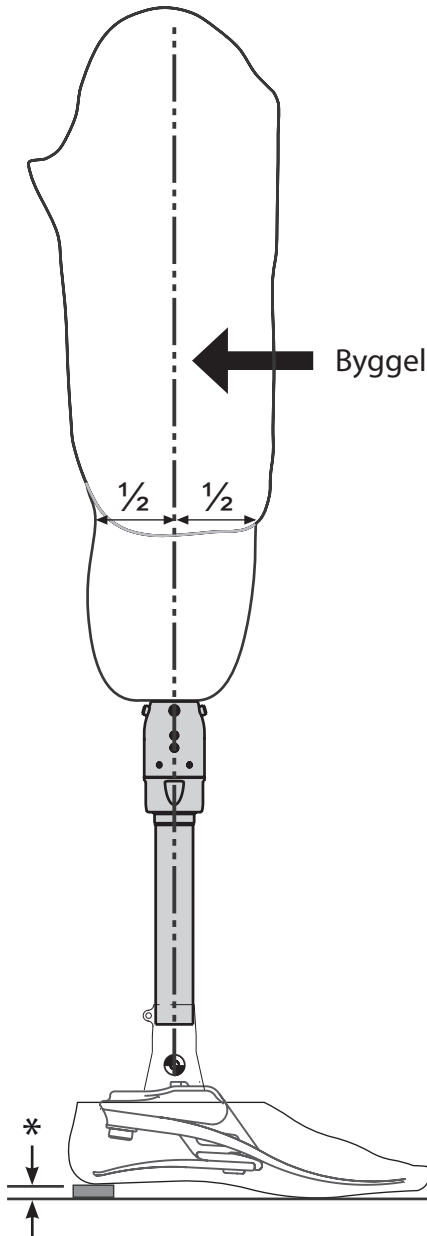


Egnet til udendørs brug



## 7 Bænkjustering

Anvisningerne i dette afsnit er kun beregnet til brug for den praktiserende læge.



### Ekstra komponenter

Følg anvisningerne for tilpasning der følger med alle ekstra komponenter.

Byggelinjen skal gå igennem anordningens midte.

Byggelinje

\* Giv plads til brugers fodtøj.

## 8 Rådgivning vedrørende tilpasning

*Anvisningerne i dette afsnit er kun beregnet til brug for den praktiserende læge.*

Anordningen anvender en uafhængig aksial fjeder og torsionsstang til at kontrollere tryk- og torsionsmodstandsdygtighed. Typisk aksial bevægelse skal ligge i området 5-8 mm under normal gang.

Når den bruges i kombination med andre enheder, med aksial kompression, der giver en samlet forkortelseeffekt på benet, kan den samlede afbøjning muligvis blive for stor. I disse tilfælde kan en stivere aksial fjeder være at foretrække. Hvis aksialfjederen ændres, skal funktionen kontrolleres for at bekræfte, at torsionsoverensstemmelse er opretholdt.

Bevægelsesområdet ved drejning kan påvirkes af tilpasning. Overdreven torsionsbevægelse kombineret med ustabilitet i den sene standfase er tegn på utilstrækkelig M-L-stabilitet og M-L-placering af foden i forhold til belastningslinjen. Hvis ustabiliteten er lateral, skal foden omplaceres medalt, og hvis ustabiliteten er medial, skal foden omplaceres lateralt. Disse justeringer skal kontrolleres, inden det overvejes at bruge en stiver torsionsstang.

## 9 Afmontering af TT Pro-pyramiden

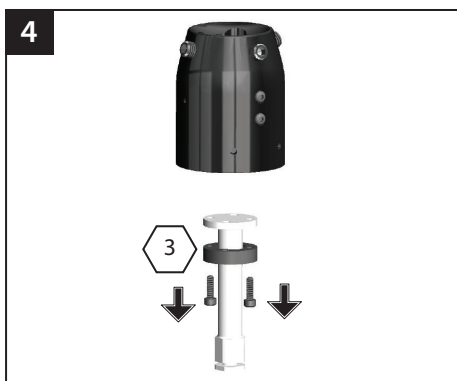
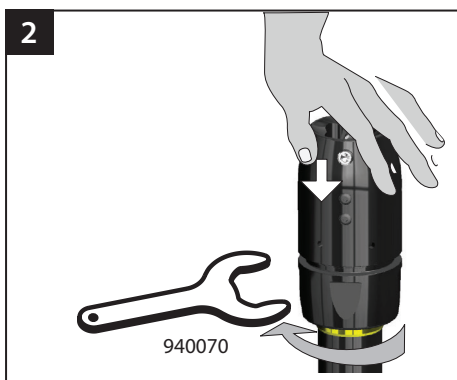
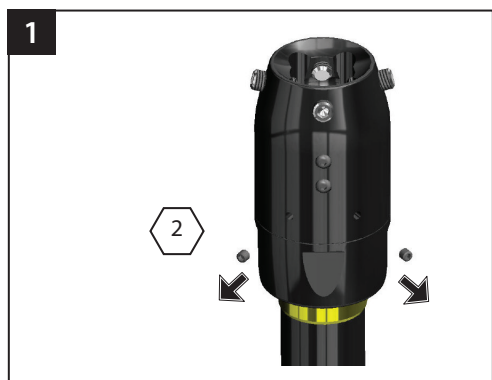
*Anvisningerne i dette afsnit er kun beregnet til brug for den praktiserende læge.*



Vær til enhver tid opmærksom på risikoen for at få fingrene i klemme.

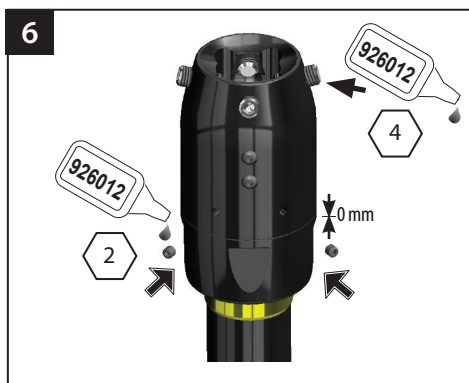
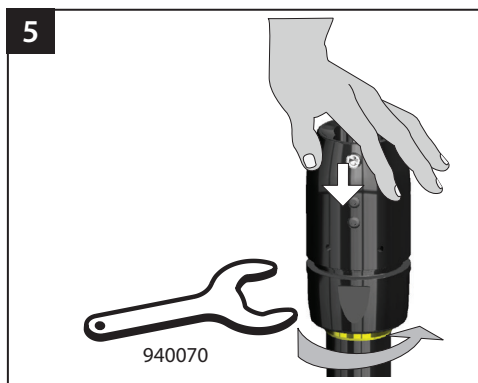
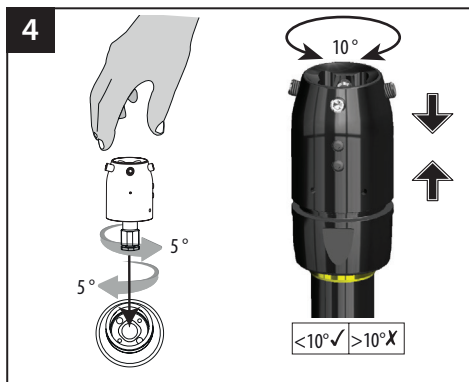
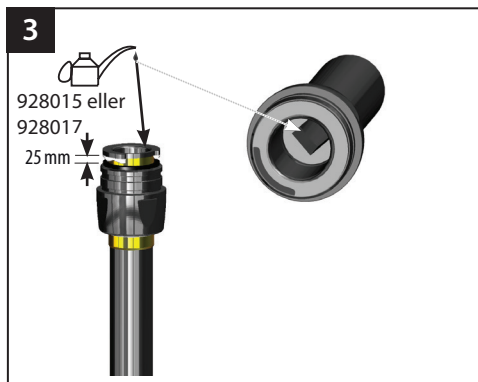
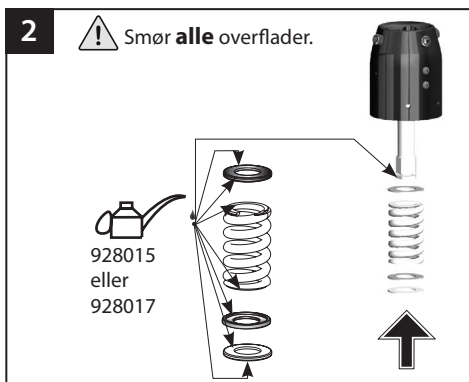


Anvend altid passende sundheds- og sikkerhedsudstyr, herunder afmonteringsudstyr.



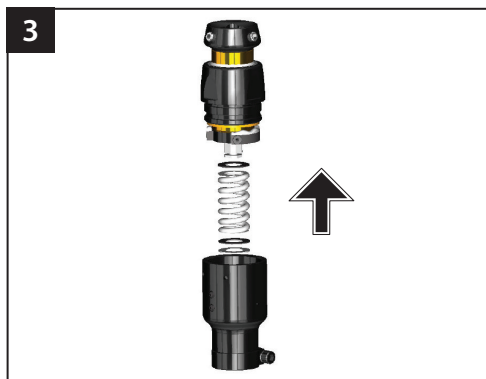
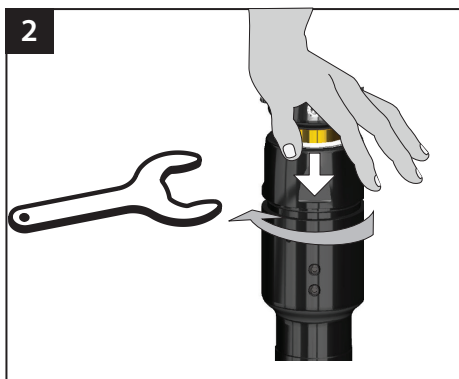
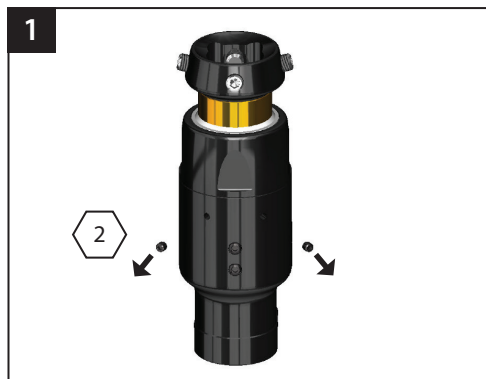
# 10 Afmontering af TT Pro-pyramiden

Anvisningerne i dette afsnit er kun beregnet til brug for den praktiserende læge.



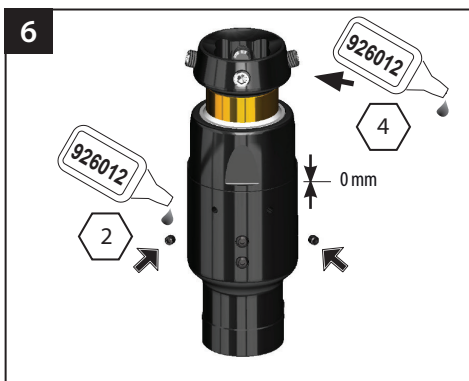
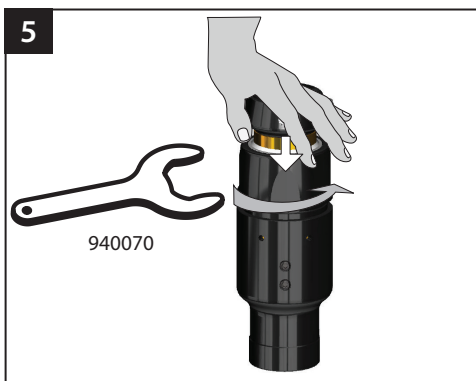
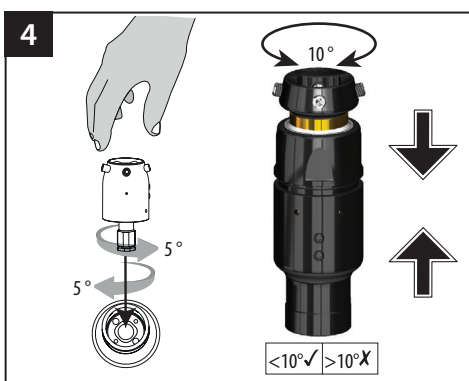
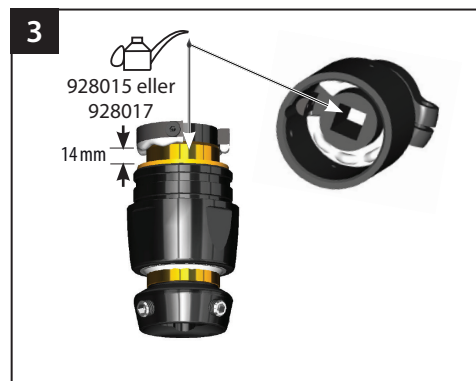
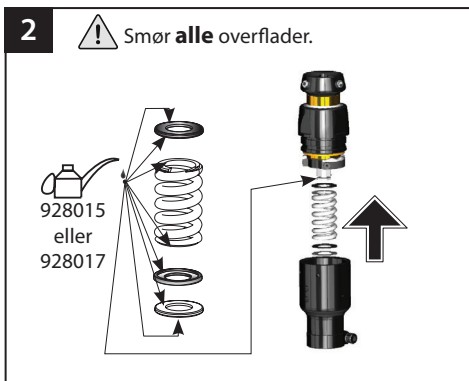
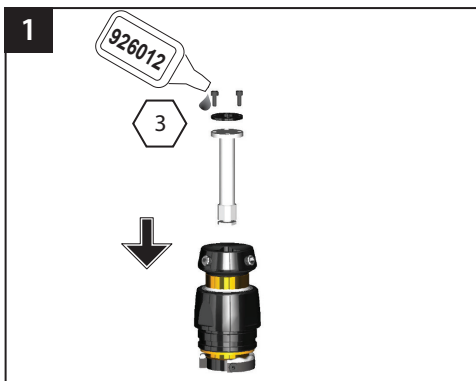
# 11 Afmontering af TT Pro-klemmen

Anvisningerne i dette afsnit er kun beregnet til brug for den praktiserende læge.



# 12 Montering af TT Pro-klemmen

Anvisningerne i dette afsnit er kun beregnet til brug for den praktiserende læge.

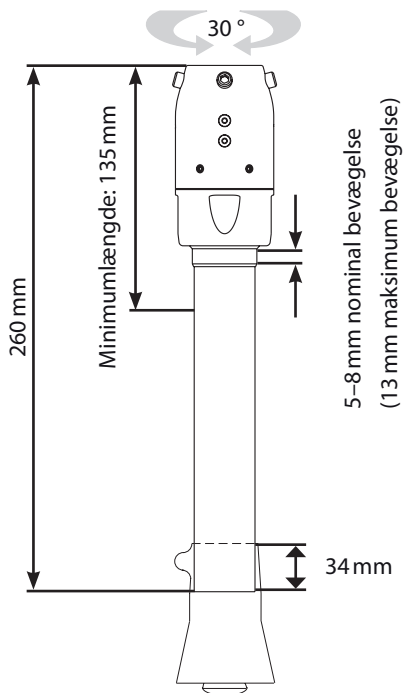
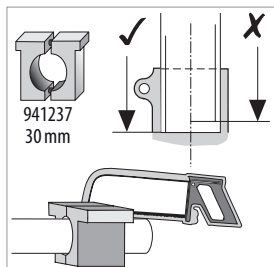


## 13 Tekniske data

Temperaturområde for betjening og opbevaring:	-15 °C til 50 °C
Komponentens vægt:	Pyramide — 523 g
	Klemme — 440 g
Aktivitetsniveau:	1-4
Brugerens maksimale vægt:	Aktivitetsniveau 1-3 — 125 kg
	Aktivitetsniveau 4 — 100 kg
Justeringsområde:	Proksimal vedhæftning: $\pm 7^\circ$ vinkel
	Distal vedhæftning: 360 ° rotation
Byggehøjde:	TT Pro pyramide — 135–226 mm
	TT Pro klemme — 109 mm
Proksimal vedhæftning:	Hun-pyramide (Blatchford)
Distal vedhæftning:	TT Pro pyramide — Blatchford Ø30 mm rørklemme
	TT Pro klemme — Blatchford Ø30 mm rør

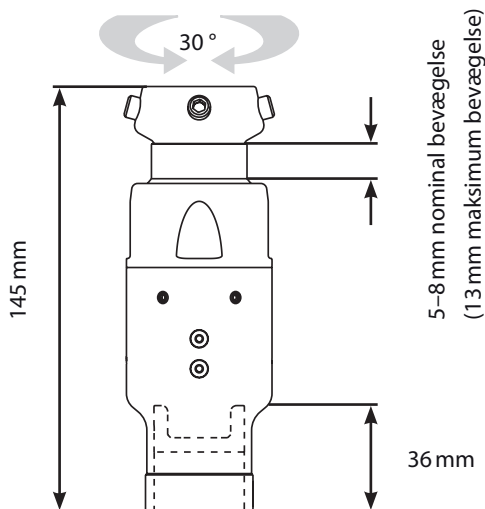
## Tilpasset længde: TT Pro pyramide

Bemærk... Montér anordningen med skrueene vendende anteriort.



## Tilpasset længde: TT Pro-klemme

Bemærk... Montér anordningen med skrueene vendende anteriort.

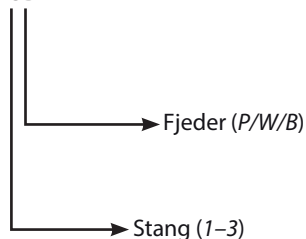


# 14 Bestillingsoplysninger

## Bestillingseksempel

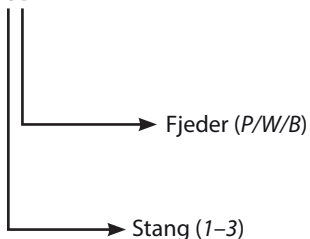
### TT PRO pyramide

TTPRO-PYR3B



### TT PRO klemme

TTPRO-30-3B



Del	Delnummer
Torsionsstang	406007 0,5 Nm (1 prik)
	406008 0,6 Nm (2 prikker)
	406009 0,7 Nm (3 prikker)
Fjeder	406014 lilla (L)
	406015 hvid (H)
	406016 sort (S)

Del	Delnummer
M8x16 sætskrue med flad ende til hylster	910474
M8x10 sætskrue med flad ende til hylster	910476
M3x10 hætteskruer til hylster	910012
M4x4 Cup-punkt, sætskrue til hylster	910013
M6x20 hætteskruer til hylster	910048
M6 låseskive	916150
Hætteskive til fjeder	406013
Trykskive	405031
Progressiv stopskive	406004
30 mm skæreenhed til skinnebensor	941237
TT afstandsstykke til låsering	940070



## Ansvar

Producenten anbefaler, at anordningen udelukkende bruges under de specificerede forhold og til de tilsigtede formål. Anordningen skal vedligeholdes i henhold til brugsanvisningen, der følger med anordningen. Producenten er ikke ansvarlig for beskadigelse, som er forårsaget af komponentkombinationer, der ikke er godkendt af producenten.

## CE-overensstemmelse

Dette produkt opfylder kravene i den Europæiske forordning EU 2017/745 for medicinsk udstyr. Dette produkt er klassificeret som klasse I-udstyr i henhold til klassificeringskriterierne, der er beskrevet i bilag VIII til forordningen. Certifikatet for EU-overensstemmelseserklæringen er tilgængeligt på følgende internetadresse: [www.blatchford.co.uk](http://www.blatchford.co.uk)



Medicinsk udstyr



Enkelt patient – flergangsbrug

## Kompatibilitet

Kombination med Blatchford-mærkevarer er godkendt baseret på testning i overensstemmelse med relevante standarder og direktivet om medicinsk udstyr, herunder strukturel test, dimensionskompatibilitet og monitoreret feltpræstation.

Kombination med alternative CE-mærkede produkter skal udføres på grundlag af en dokumenteret lokal risikovurdering udført af en praktiserende læge.

## Garanti

Garantien i forbindelse med denne anordning gælder i 24 måneder.

Brugeren skal være opmærksom på, at ændringer eller modifikationer, der ikke udtrykkeligt er godkendt, kan annullere garantien, driftslicenser og undtagelser.

Gå til Blatchford-webstedet for at få den aktuelle fulde garantierklæring.

## Rapportering af alvorlige hændelser

I det usandsynlige tilfælde, at der opstår en alvorlig hændelse i forbindelse med denne anordning, skal den rapporteres til producenten og den nationale tilsynsmyndighed.

## Miljømæssige aspekter

Dette produkt er fremstillet af genanvendelige materialer. Hvor det er muligt, skal komponenterne genbruges i overensstemmelse med lokale regler for affaldshåndtering.

## Opbevaring af emballagens etiket

Den praktiserende læge rådes til at opbevare emballagens etiket som en fortegnelse over den leverede anordning.

## Producentens registrerede adresse

Blatchford Products Limited, Lister Road, Basingstoke RG22 4AH, Storbritannien.

## Anerkendelse af varemærket

TT Pro og Blatchford er registrerede varemærker tilhørende Blatchford Products Limited.

Innhold.....	30
1 Beskrivelse og tiltenkt formål .....	31
2 Sikkerhetsinformasjon.....	32
3 Konstruksjon .....	33
4 Funksjon .....	34
5 Vedlikehold.....	34
6 Begrensninger i bruken .....	34
7 Benkeoppretting .....	35
8 Råd om passform .....	36
9 Demontering av TT Pro-pyramide .....	36
10 Montering av TT Pro-pyramide .....	37
11 Demontering av TT Pro-klemme .....	38
12 Montering av TT Pro-klemme .....	39
13 Tekniske data .....	40
14 Bestillingsinformasjon .....	42

---

# 1 Beskrivelse og tiltenkt formål

Disse bruksanvisningene er for utøveren og brukeren, med mindre annet er oppgitt.

Begrepet enhet brukes i disse instruksjonene for å referere til TT Pro.

Les og sørg for at du forstår alle instruksjoner for bruk, særlig all sikkerhetsinformasjon og vedlikeholdsinstruksjoner.

## Bruksområde

Denne enheten skal brukes som en komponent av en protese for nedre ekstremiteter.

Beregnet for en enkelt bruker.

Enheten er en støt- og vridningsenhet som balanserer støtabsorbering og energiadministrering. Redusert spenning på flaten mellom kroppen og protesen øker komforten for brukere.

## Aktivitetsnivå

Denne enheten anbefales for brukere som har potensial til å oppnå aktivitetsnivå 3 eller 4. Selvfølgelig er det unntak, og i anbefalingen vår ønsker vi å gi rom for unike, individuelle omstendigheter og enhver beslutning bør tas med en grundig begrunnelse.

Merk... Maksimal brukervekt for brukere på nivå 4 er 100 kg.

### Aktivitetsnivå 1

Har evnen eller potensialet til å bruke protese for å reise seg eller sette seg ned, eller forflytte seg på jevne overflater med fast skritthastighet. Typisk for den begrensede og ubegrensede ambulatoren.

### Aktivitetsnivå 2

Har evnen eller potensialet for ambulering med evnen til å gå på lave miljøbarrierer slik som fortauskanten, trapper eller ujevne overflater. Typisk for begrenset omreiser.

### Aktivitetsnivå 3

Har evnen eller potensialet for ambulering med variabel kadens.

Typisk for den begrensede omreisende som har evnen til å krysse de fleste miljøbarrierer og kan ha yrkesaktiv, terapeutisk eller treningsaktivitet som krever protetisk utnyttelse utover enkel bevegelse.

### Aktivitetsnivå 4

Har evnen eller potensialet for protetisk ambulering som overgår grunnleggende ambuleringsferdigheter, og viser høyt nivå av motstandsdyktighet, spenning og energi. Typisk for protesebravene hos et barn, en aktiv voksen eller konkurranseutøvere.

## Kontraindikasjoner

Denne enheten er kanskje ikke egnet for personer på aktivitetsnivå 1 eller brukere som deltar i konkurranseidrett. Dette skyldes at disse brukerne kan ha bedre nytte av en spesialdesignet protese som er optimalisert for deres behov.

Kontroller at brukeren har forstått alle bruksanvisningene, spesielt informasjonen om vedlikehold.

## Kliniske fordeler

- Redusert belastning på gjenværende lem, sammenlignet med stive pylonproteser
- Reduserte ryggsmertor ved vridning, sammenlignet med stive pylonproteser
- Økt ganghastighet, sammenlignet med stive pylonproteser

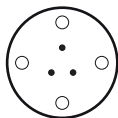
# Vridningsstang og fjæervalg

## Vridningsstang

1 = 1 prikk

2 = 2 prikker

3 = 3 prikker



## Fjær

P = Lilla (Purple)

W = Hvit (White)

B = Svart (Black)



## Vekt kg

Lavt

## Støtnivå

Moderat

Høyt

44–52	1P	2P	3W
53–59	2P	2W	3W
60–68	2P	3W	3B
69–77	2W	3W	3B
78–88	2W	3B	3B
89–100	3B	3B	3B
101–116	3B	3B	—
117–125	3B	3B	—

## 2 Sikkerhetsinformasjon



Dette advarselssymbolet fremhever viktig sikkerhetsinformasjon som må følges nøye.



Eventuelle endringer i ytelsen eller funksjonen til protesen, f.eks. begrenset bevegelse, ujevn bevegelse eller uvanlige lyder skal umiddelbart rapporteres til tjenesteleverandøren.



Bruk alltid et rekkverk når du går ned trapper og når som helst ellers hvis det er tilgjengelig.



Enheten er ikke egnet for ekstremsport, løping eller sykling, vinteridrett, svært bratte bakker/løyper og trappetrinn. Alle slike aktiviteter utføres helt og holdent på brukerens egen risiko. Rekreasjonssykling er akseptabelt.



Montering, vedlikehold og reparasjon av enheten må bare utføres av en kvalifisert utøver.



Brukeren bør kontakte utøveren hvis tilstanden endrer seg.



Forsikre deg om at bare kjøretøyer med passende ettermontering brukes når du kjører. Alle personer må overholde gjeldende vegtrafikklover når de bruker motorvogner.



For å minimere risikoen for å gli og snuble, må passende fottøy som passer sikkert på fotkosmetikken brukes til enhver tid.

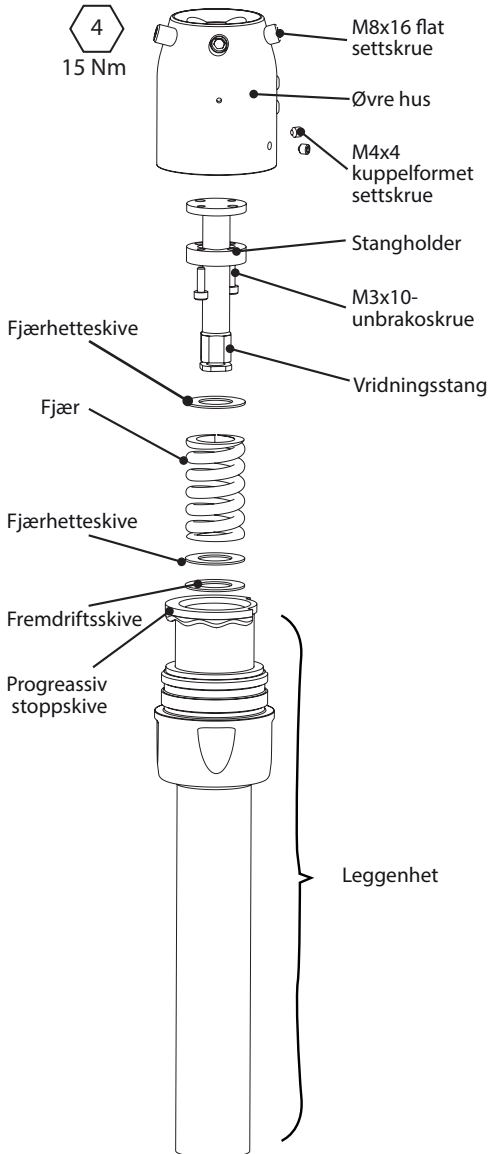
# 3 Konstruksjon

## Viktigste deler

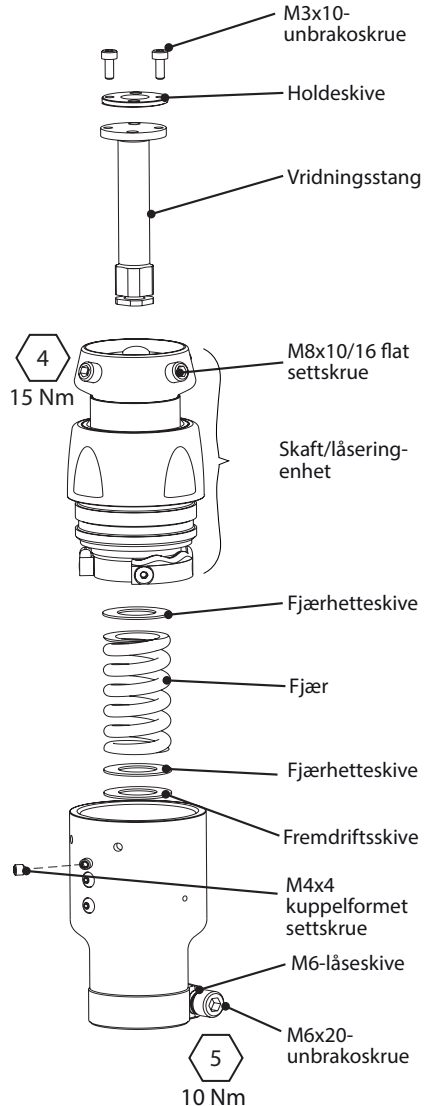
- Topphus/rørklemmemontasje (aluminium, karbonstål, rustfritt stål, acetalplast, PTFE, PU)
- Vridningsstang (acetalplast)

- Skaft-/låseringmontasje (rustfritt stål / aluminiumlegering)
- Fjær (karbonstål)
- Skinnemontasje (rustfritt stål / aluminium)

### TT Pro-pyramide



### TT Pro-klemme



---

## 4 Funksjon

Enheten omfatter en energieffektiv spiralfjær og en vridningsstang av polymer. Sammen reduserer disse komponentene skjærkraften ved kontaktgrensenettet, som forårsakes av aksiale belastninger ved hælslaget og vridningsbelastninger under omdreining. Energi lagret i den aksiale fjæren under stillingsfasen returneres ved tåløft for å gi en glatt, energieffektiv gange. Bæreevneflatene er belagt med titan-nitrid som gir en slitesterk lavfriksjonsoverflate for bevegelige deler innenfor enheten.

---

## 5 Vedlikehold

Brukeren bør informeres om å rapportere følgende til utøveren:

- Endringer i kroppsvekt eller aktivitetsnivå
- Endringer i ytelsen til denne enheten – endringer kan inkludere:
  - Uvanlige lyder eller slingring.
  - Redusert energiretur.

Hvis enheten brukes ved ekstrem aktivitet bør nivået og intervallet for vedlikehold revurderes, og om nødvendig vil støtteavdelingene for råd og teknikk planlegge en ny vedlikeholdsplan avhengig av aktivitetens hyppighet og type. Dette bør bestemmes av en lokal risikovurdering utført av en kvalifisert person.

### Rengjøring

Bruk en fuktig klut og mild såpe til å rengjøre de utvendige overflatene. Bruk **ikke** sterke rensmidler.

*Resten av instruksjonene i avsnittet er kun for utøverens bruk.*

Bare kompetent personell kan gjennomføre vedlikehold.

Gjennomfør følgende vedlikehold én gang i året:

- Demonter, rengjør og smør deler på nytt som vist i instruksjonene om demontering og montering i seksjon 9–12.
- Sjekk etter slark i rotasjonen
- Erstatt vridningsstang hvis den er slitt

---

## 6 Begrensninger i bruken

### Tiltenkt levetid

En lokal risikovurdering skal utføres basert på aktivitet og bruk.

### Løftelast

Brukerens vekt og aktivitet er underlagt de angitte grensene. Lasten som bæres av brukeren, skal være basert på en lokal risikovurdering.

### Miljø

Unngå å eksponere enheten for korrosive elementer slik som vann, syrer og andre væsker. Unngå friksjonsmiljøer, for eksempel miljøer med sand, da de kan føre til tidlig slitasje.

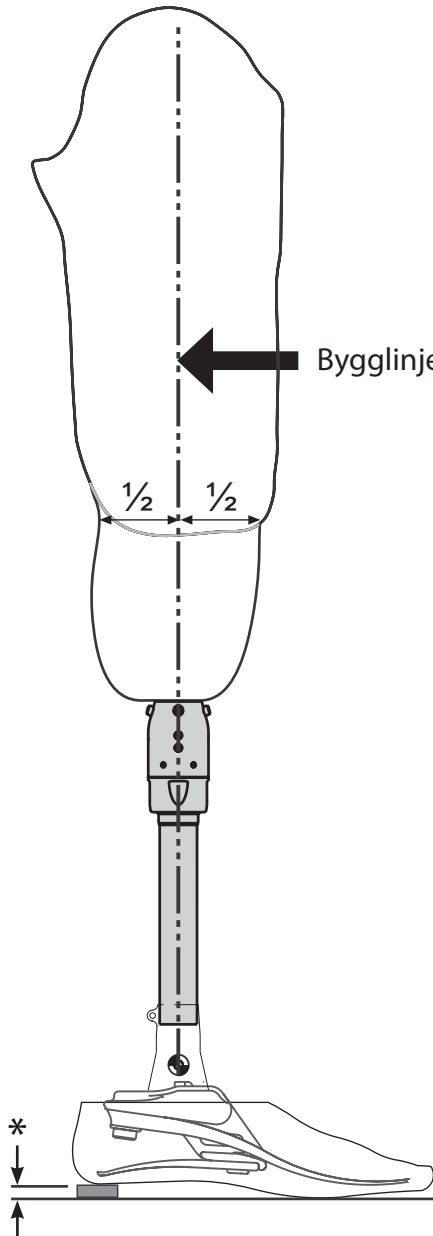
Kun for bruk mellom -15 °C og 50 °C.



Egnet for utendørs bruk

## 7 Benkeoppretting

*Instruksjonene i dette avsnittet er kun for utøverens bruk.*



### Ytterligere komponenter

Følg justeringsinstruksjonene som følger med eventuelle tilleggsdeler.

Bygglinjen skal passere gjennom midten av enheten.

\* Gi rom for brukerens egne sko.

## 8 Råd om passform

*Instruksjonene i dette avsnittet er kun for utøverens bruk.*

Enheten bruker en uavhengig aksialfjær og vridningsstang for å kontrollere kompresjons- og vridbarhetselastisitet. Typisk aksial bevegelse skal være mellom 5–8 mm for normal gange.

Ved bruk i kombinasjon med andre enheter som har en aksial kompresjon som gir lemmet generelt en forkortende effekt, kan den generelle avbøyningen være overdreven. I disse tilfellene kan en stivere aksialfjær være riktig. Hvis aksialfjæren byttes, bør funksjonen kontrolleres for å bekrefte at vridningsgrepet er opprettholdt.

Området for rotasjonsbevegelse kan påvirkes av justering. Overdreven vridningsbevegelse og ustabilitet når man står indikerer utilstrekkelig M-L-stabilitet og M-L-posisjonering av foten i relasjon til vektlinjen. Hvis ustabiliteten er på siden, flytt foten til midten, omvendt hvis ustabiliteten er i midten, flytt foten til siden. Disse justeringene bør sjekkes før man vurderer en stivere vridningsstang.

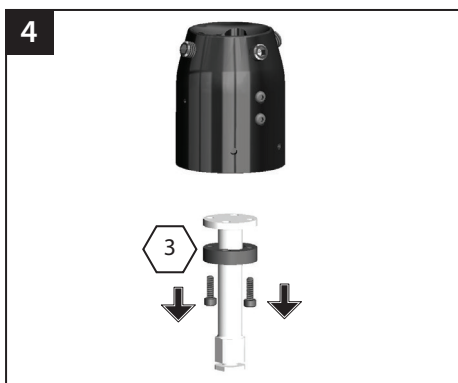
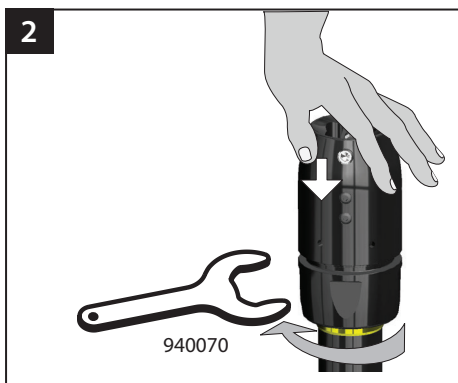
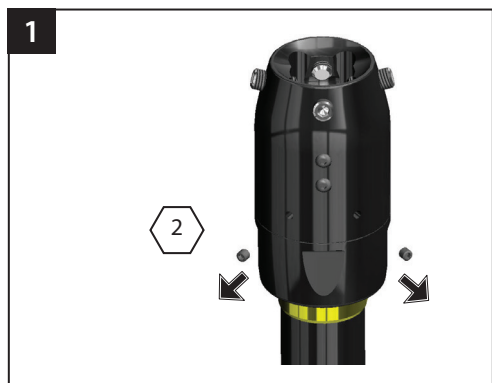
## 9 Demontering av TT Pro-pyramide

*Instruksjonene i dette avsnittet er kun for utøverens bruk.*



**Vær alltid oppmerksom på fingerfellefare.**

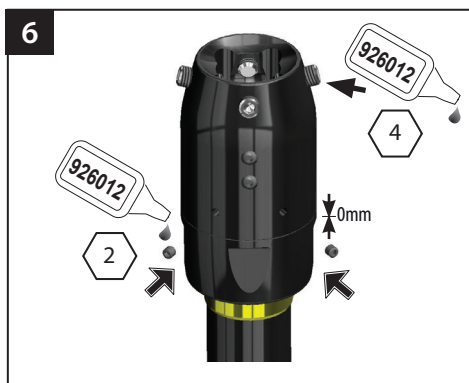
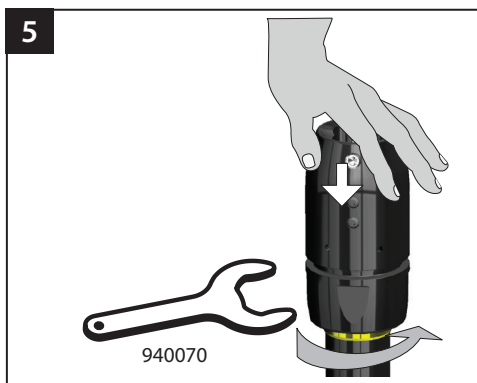
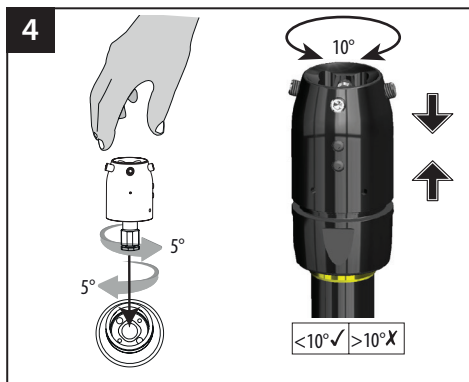
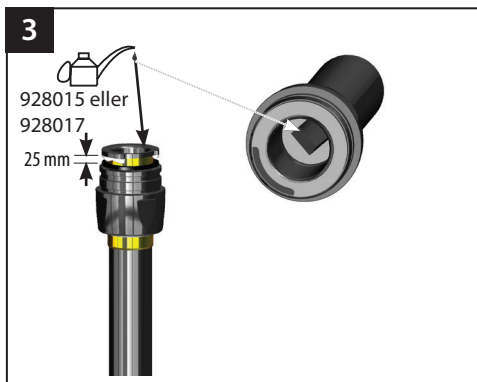
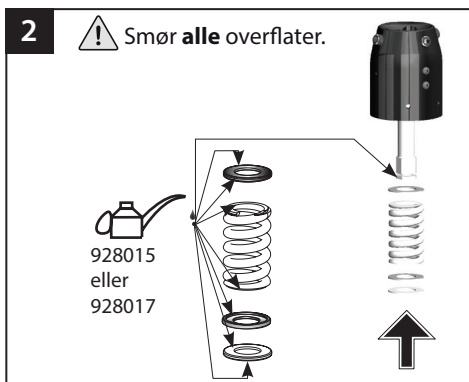
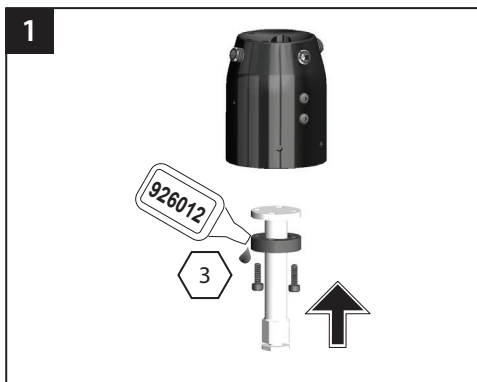
**Bruk passende helse- og sikkerhetsutstyr til enhver tid, inkludert avtrekksanlegg.**





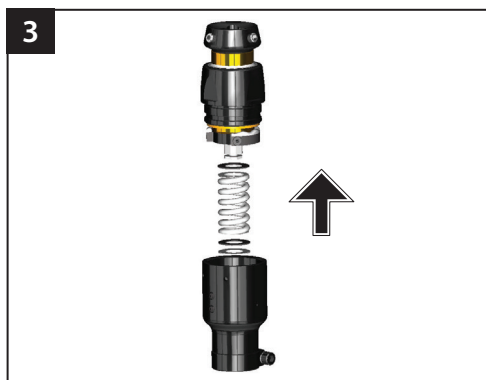
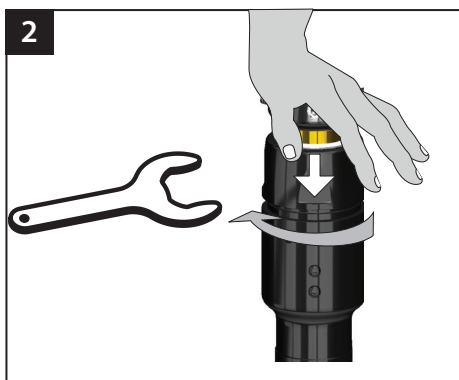
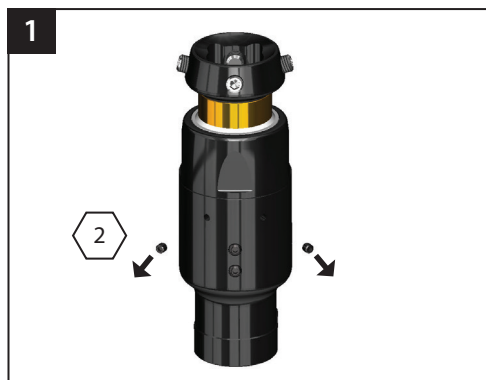
# 10 Montering av TT Pro-pyramide

Instruksjonene i dette avsnittet er kun for utøverens bruk.



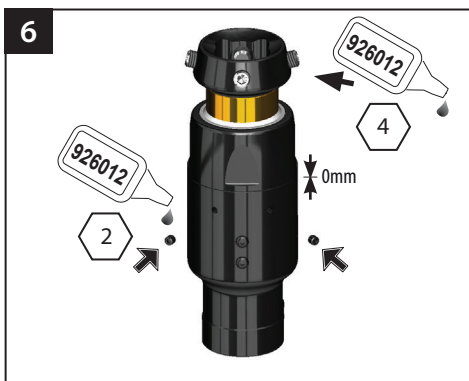
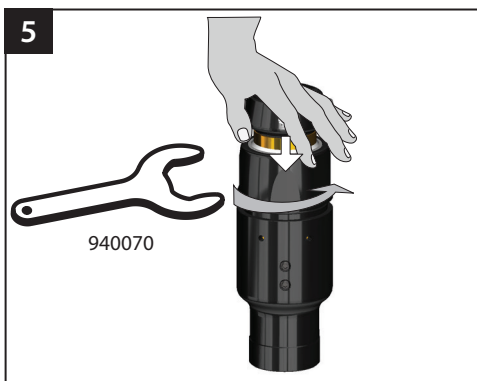
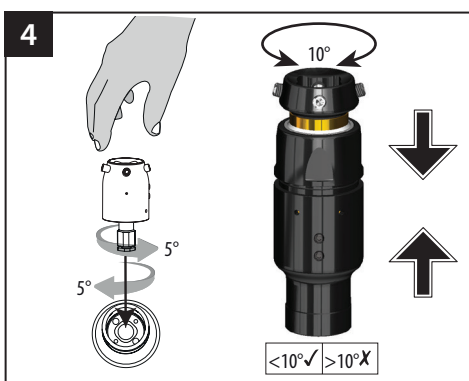
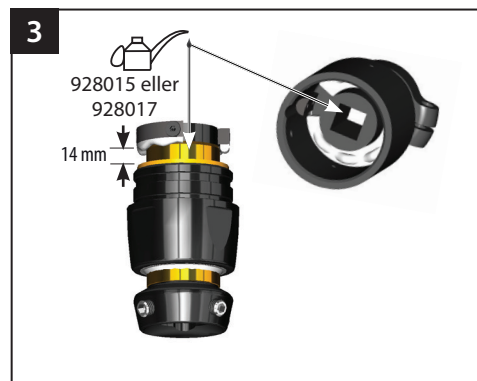
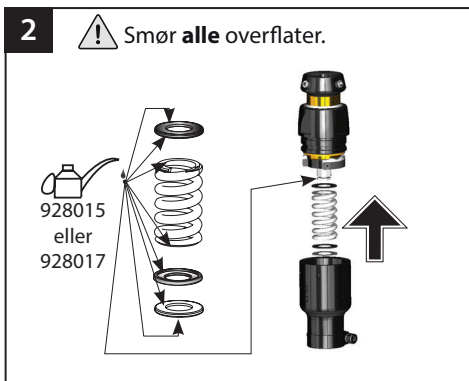
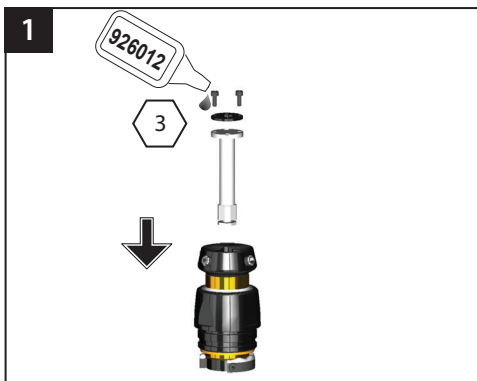
# 11 Demontering av TT Pro-klemme

*Instruksjonene i dette avsnittet er kun for utøverens bruk.*



# 12 Montering av TT Pro-klemme

Instruksjonene i dette avsnittet er kun for utøverens bruk.

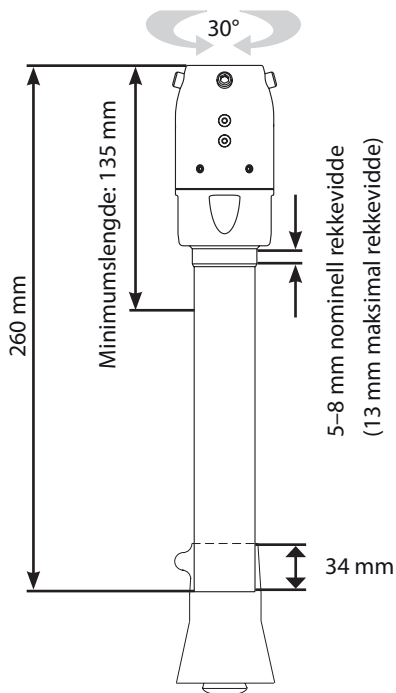
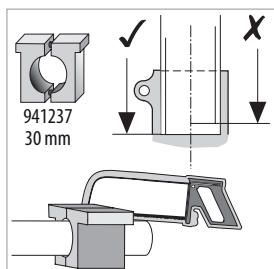


## 13 Tekniske data

Drifts- og oppbevaringstemperatur:	-15 °C til 50 °C
Komponentvekt:	Pyramide – 523 g
	Klemme – 440 g
Aktivitetsnivå	1–4
Maks. brukervekt:	Aktivitetsnivå 1–3 — 125 kg
	Aktivitetsnivå 4 — 100 kg
Justeringsområde::	Proksimal kobling: $\pm 7^\circ$ vinkel
	Distal kobling: 360° rotasjon
Bygghøyde:	TT Pro-pyramide — 135–226 mm
	TT Pro-klemme — 109 mm
Proksimal kobling:	Blatchford-hannpyramide
Distal kobling:	TT Pro-pyramide — Blatchford-slangeklemme 30 mm diameter Adapter
	TT Pro-klemme — Blatchford-slange Ø30 mm

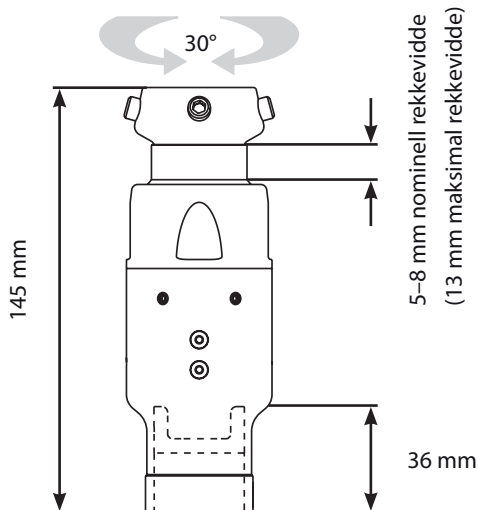
### Monteringslengde: TT Pro-pyramide

Merk... Sett på enheten med skruene vendt anteriort.



### Monteringslengde: TT Pro-klemme

Merk... Sett på enheten med skruene vendt anteriort

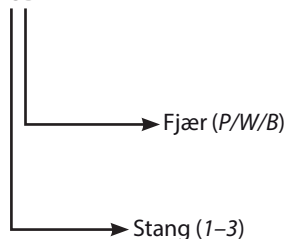


# 14 Bestillingsinformasjon

## Eksempelbestilling

### TT PRO-pyramide

TTPRO-PYR3B



### TT PRO-klemme

TTPRO-30-3B



Del	Delenummer
Vridningsstang	406007 0,5 Nm (1 prikk)
	406008 0,6 Nm (2 prikker)
	406009 0,7 Nm (3 prikker)
Fjær	406014 Lilla (Purple) (P)
	406015 Hvit (White) (W)
	406016 Svart (Black) (B)

Del	Delenummer
M8x16 flat settskrue	910474
M8x10 flat settskrue	910476
M3x10-unbrakoskrue	910012
M4x4 kuppelformet settskrue	910013
M6x20-unbrakoskrue	910048
M6-låseskive	916150
Fjærhetteskive	406013
Fremdriftsskive	405031
Progressiv stoppskive	406004
30 mm leggrørkutter	941237
TT-låseringnøkkel	940070

## Ansvar

Produsenten anbefaler å bruke enheten bare under de angitte forholdene og til de tiltenkte formål. Enheten må vedlikeholdes i henhold til bruksanvisningen som følger med enheten. Produsenten er ikke ansvarlig for skade forårsaket av komponentkombinasjoner som ikke ble autorisert av produsenten.

## EU-samsvar

Dette produktet oppfyller kravene i Europaparlaments- og rådsforordning EU 2017/745 for medisinsk utstyr. Dette produktet er klassifisert som en klasse I-enhet i henhold til klassifiseringsreglene beskrevet i vedlegg VIII til forordningen. EU-samsvarserklæringen er tilgjengelig på følgende internettadresse: [www.blatchford.co.uk](http://www.blatchford.co.uk)



Medisinsk enhet



Enkelt pasient – flerbruk

## Kompatibilitet

Kombinasjon med Blatchford-merkede produkter er godkjent basert på testing i samsvar med relevante standarder og MDR inkludert strukturell test, dimensjonell kompatibilitet og overvåket feltytelse.

Kombinasjon med alternative CE-merkede produkter må utføres med tanke på en dokumentert lokal risikovurdering gjennomført av en utøver.

## Garanti

Denne enheten har en garanti på 24 måneder.

Brukeren må være klar over at endringer eller modifikasjoner som ikke er uttrykkelig godkjent kan ugyldiggjøre garantien, brukslisensene og fritakene.

Gå til Blatchford-nettstedet for å se hele garantierklæringen.

## Rapportering av alvorlige hendelser

I det usannsynlige tilfelle at det skulle oppstå en alvorlig hendelse relatert til denne enheten, skal den rapporteres til produsenten og din nasjonale kompetente myndighet.

## Miljøaspekter

Dette produktet er laget av resirkulerbare materialer. Komponenter skal om mulig resirkuleres i henhold til lokale forskrifter for avfallshåndtering.

## Behold emballasjetiketten

Utøveren anbefales å oppbevare emballasjetiketten som en oversikt over den medfølgende enheten.

## Produsentens registrerte adresse

Blatchford Products Limited, Lister Road, Basingstoke RG22 4AH, Storbritannia.

## Varemerkeanerkjennelser

TTPro og Blatchford er registrert varemerke eid av Blatchford Products Limited.

Sisällys .....	44
1 Kuvaus ja käyttötarkoitus .....	45
2 Turvallisuustietoja .....	46
3 Rakenne .....	47
4 Toiminta .....	48
5 Huolto .....	48
6 Käyttöä koskevat rajoitukset .....	48
7 Linjaus työpenkillä .....	49
8 Sovitusta koskevia ohjeita .....	50
9 TT Pro -pyramidin purkaminen .....	50
10 TT Pro -pyramidin kokoaminen .....	51
11 TT Pro -puristimen purkaminen .....	52
12 TT Pro -puristimen kokoaminen .....	53
13 Tekniset tiedot .....	54
14 Tilautiedot .....	56



# 1 Kuvaus ja käyttötarkoitus

Nämä käyttöohjeet on tarkoitettu proteesiteknikolle ja käyttäjälle, ellei toisin mainita.

Termiä laite käytetään näissä ohjeissa puhuttaessa TT Pro -laitteesta.

Lue ja varmista, että ymmärrät kaikki ohjeet, etenkin kaikki turvallisuuteen ja huoltoon liittyvät ohjeet.

## Käyttö

Laite on tarkoitettu käytettäväksi osana alaraajaproteesia.

Vain henkilökohtaiseen käyttöön.

Laite on iskuja ja kiertoa vaimentava laite, joka tasapainottaa iskunvaimennusta ja energianhallintaa. Pienempi rasitus kehon ja proteesin välisellä kosketuspinnalla parantaa käyttäjän mukavuutta.

## Aktiivisuustaso

Tätä laitetta suositellaan henkilöille, jotka voivat saavuttaa aktiivisuustason 3 tai 4. Poikkeuksia ilman muuta on, ja siksi haluamme suosituksissamme huomioida yksilölliset tapaukset, jolloin päätöksen tulee olla perusteltu ja huolella harkittu.

Huomautus... Tason 4 käyttäjän enimmäispaino on 100 kg.

### Aktiivisuustaso 1

Pystyy käyttämään tai on mahdollisuus käyttää proteesia siirtymiseen tai liikkumiseen tasaisella pinnalla tasaiseen tahtiin. Tyypillistä rajallisesti ja rajoituksitta liikkuvalla.

### Aktiivisuustaso 2

Pystyy liikkumaan tai on mahdollisuus liikkua sekä pystyy ylittämään matalia esteitä, kuten reunakiveyksiä, portaita tai epätasaisia pintoja. Tyypillistä rajallisesti ulkona liikkuvalla.

### Aktiivisuustaso 3

Pystyy liikkumaan tai on mahdollisuus liikkua vaihtelevaan tahtiin.

Tyypillistä ulkona liikkuvalla, joka pystyy ylittämään useimmat esteet ja jolla on työhön, terapiaan tai liikuntaan liittyvää toimintaa, joka vaatii proteesilta yksinkertaista liikettä enemmän.

### Aktiivisuustaso 4

Pystyy liikkumaan tai on mahdollisuus liikkua proteesilla perusliikkumistaitoja vaativammin, sisältäen iskuja, rasitusta ja voimaa. Tyypillinen vaatimus lasten, aktiivisten aikuisten ja urheilijoiden proteesilta.

## Vasta-aiheet

Laite ei välttämättä sovellu aktiivisuustason 1 käyttäjille eikä kilpaurheiluun. Näissä tapauksissa on parempi käyttää erikoisvalmisteista proteesia, joka on optimoitu käyttäjän tarpeisiin sopivaksi.

Varmista, että käyttäjä on ymmärtänyt kaikki käyttöohjeet ja erityisesti huoltoon ja turvallisuuteen liittyvät ohjeet.

## Kliiniset hyödyt

- Hitaampi kuormitus amputaatiotyökään verrattuna jäykkiin putkiin
- Vähemmän selkäkivua kierto- ja kiertoliikkeessä verrattuna jäykkiin putkiin
- Suurempi kävelynopeus verrattuna jäykkiin putkiin

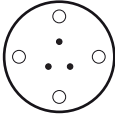
# Kiertotangon ja jousen valinta

## Kiertotanko

1 = 1 piste

2 = 2 pistettä

3 = 3 pistettä



## Jousi

P = sinipunainen

W = valkoinen

B = musta



## Paino kg

## Iskuvoiman taso

Pieni Kohtalainen Suuri

44–52	1P	2P	3W
53–59	2P	2W	3W
60–68	2P	3W	3B
69–77	2W	3W	3B
78–88	2W	3B	3B
89–100	3B	3B	3B
101–116	3B	3B	–
117–125	3B	3B	–

## 2 Turvallisuustietoja



Tällä varoitusmerkillä tuodaan esille tärkeitä turvallisuuteen liittyviä tietoja, joita täytyy noudattaa huolellisesti.



Kaikista proteesin toimintaan tai toimivuuteen liittyvistä muutoksista, kuten rajoittuneesta tai takeltelevasta liikkeestä tai poikkeavista äänistä, tulee ilmoittaa välittömästi laitevalmistajalle.



Pidä aina kiinni kaiteesta, kun kuljet alas portaita ja myös muulloin, jos mahdollista.



Laite ei sovellu vaativaan urheiluun, juoksemiseen tai kilpa-ajoon polkupyörällä, jää- ja lumieurheilulajeihin sekä jyrkissä rinteissä tai jyrkissä portaissa liikkumiseen. Tällaisiin aktiviteetteihin ryhtyminen on täysin käyttäjän omalla vastuulla. Virkistyspyöräily on sallittua.



Vain pätevä proteesitekniikko saa koota, huoltaa ja korjata laitetta.



Käyttäjän tulee ottaa yhteyttä proteesitekniikkoon, jos hänen tilaansa tulee muutoksia.



Autoa ajettaessa on varmistettava, että asianmukaiset varusteet on asennettu. Jokaisen täytyy noudattaa paikallisia liikennelakeja moottoriajoneuvoilla ajettaessa.



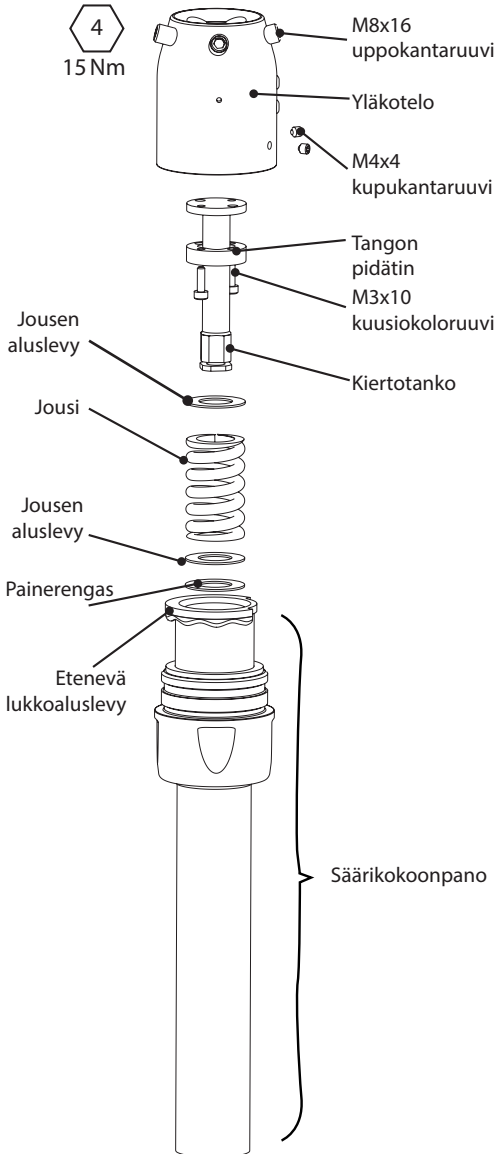
Liukastumis- ja kaatumisriskin minimoimiseksi täytyy aina käyttää sopivaa jalkinetta, joka istuu tiiviisti kosmeettiseen suojukseen.

# 3 Rakenne

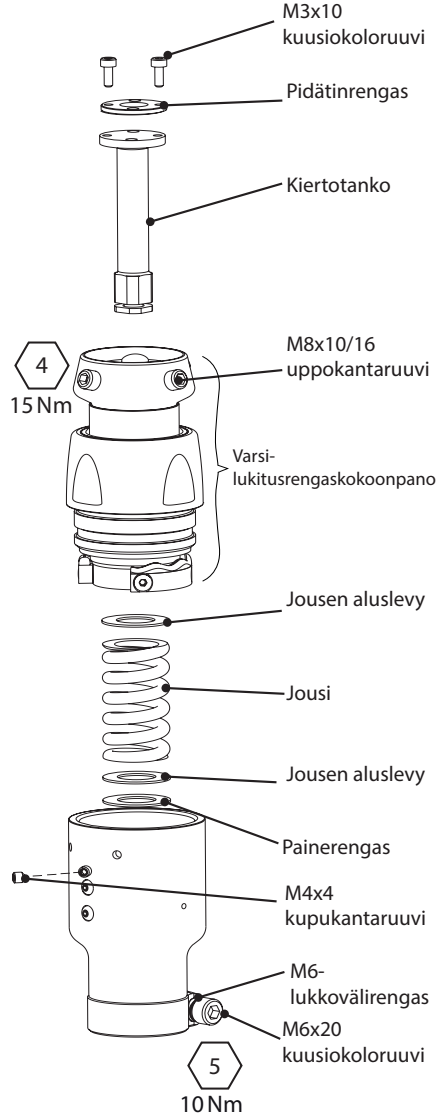
## Tärkeimmät osat

- Yläkotelon-putkenkiristimen kokoonpano (alumiini, hiiliteräs, ruostumaton teräs, asetaalihomopolymeeri, PTFE, polyuretaani)
- Kiertotanko (asetalihomopolymeeri)
- Varsi-lukitusrengaskokoonpano (ruostumaton teräs ja alumiiniseos)
- Jousi (hiiliteräs)
- Säärikokoonpano (ruostumaton teräs ja alumiini)

### TT Pro -pyramidi



### TT Pro -puristin



---

## 4 Toiminta

Laitte koostuu energiatehokkaasta kierrejousesta ja polymeerisesta kiertotangosta. Yhdessä nämä komponentit vähentävät sekä leikkausvoimaa holkkiliitännässä kantaiskun aikana että kiertorasitusta kääntymisen aikana. Tukivaiheessa aksiaaliseen jouseen varastoituu energiaa, joka palautuu varvastyönössä ja tekee kävelystä tasaista ja energiatehokasta. Kantopinnoissa on titaaninitridipinnoite, joka on kulutusta kestävä matalakitkainen pinta liikkuville osille.

---

## 5 Huolto

Käyttäjää neuvotaan kertomaan proteesiteknikolle seuraavista:

- muutokset painossa tai aktiivisuustasossa
- muutokset laitteen toiminnassa, muun muassa:
  - poikkeavat äänet tai vällys
  - heikentynyt energianpalautus.

Jos tätä laitetta käytetään vaativassa toiminnassa, huollon taso ja huoltovälit tulee arvioida uudelleen ja tarvittaessa tulee pyytää neuvoa ja teknistä tukea uuden huolto-ohjelman suunnitteluun, riippuen toiminnan toistuvuudesta ja luonteesta. Asianmukaisesti pätevän henkilön tulee määrittää tämä paikallisen riskiarvioinnin perusteella.

### Puhdistus

Puhdista ulkopinnat kostealla liinalla ja miedolla saippualla. **Älä** käytä voimakkaita puhdistusaineita.

*Loput tässä kappaleessa annetuista ohjeista on tarkoitettu vain proteesiteknikoille.*

Huollon saa tehdä vain pätevä henkilö.

Tee seuraavat huoltotyöt vuosittain:

- Pura, puhdista ja voitele osat kohtien 9-12 purkamis- ja kokoamisohjeiden mukaisesti.
- Tarkista kiertovällys.
- Vaihda kiertotanko, jos se on kulunut.

---

## 6 Käyttöä koskevat rajoitukset

### Kestoikä

Toimintaan ja käyttöön perustuva paikallinen riskiarviointi tulee tehdä.

### Kantokyky

Käyttäjän painolle ja toiminnalle on asetettu raja-arvot. Käyttäjän kokonaispainon tulee perustua paikalliseen riskiarviointiin.

### Ympäristö

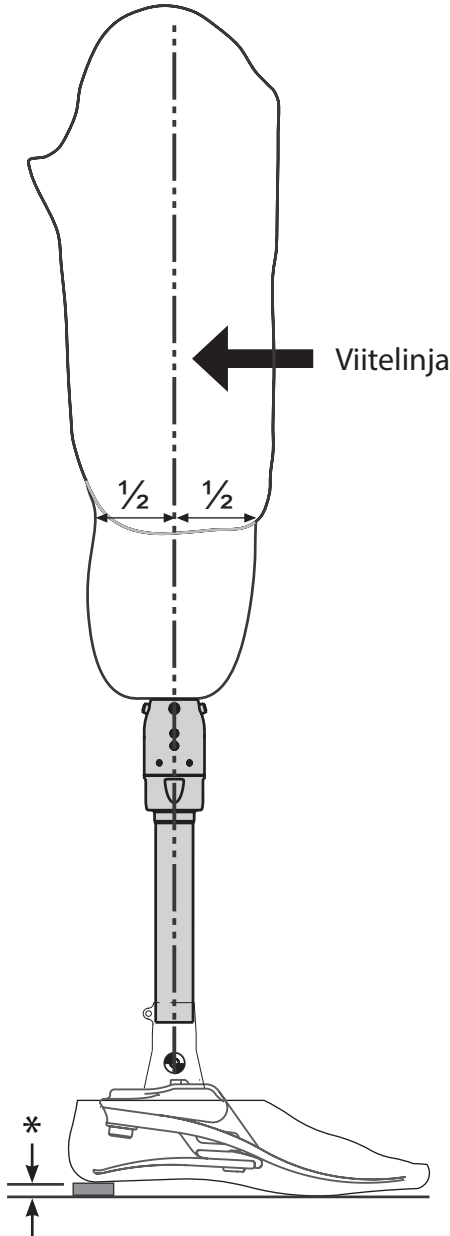
Vältä altistamasta laitetta syövyttävillä aineilla, kuten vedelle, hapoille ja muille nesteille. Vältä hankaavia materiaaleja (esim. hiekkaa) sisältäviä ympäristöjä, koska ne voivat aiheuttaa ennenaikaista kulumista. Sallittu käyttölämpötila on -15–50 °C.



Soveltuu ulkokäyttöön

## 7 Linjaus työpenkillä

*Tässä kappaleessa esitetyt ohjeet on tarkoitettu vain proteesiteknikoille.*



### Lisäosat

Noudata lisäosien mukana toimitettuja linjausohjeita.

Viitelinjan pitäisi kulkea keskellä laitetta.

\* Huomioi käyttäjän jalkine.

## 8 Sovitusta koskevia ohjeita

*Tässä kappaleessa esitetyt ohjeet on tarkoitettu vain proteesitekniikoille.*

Laitteessa on erillinen aksiaalinen jousi ja kiertotanko ohjaamassa puristus- ja kiertoajua. Tavallisen aksiaalisen liikkeen tulisi olla 5–8 mm normaalia kävelyä varten.

Käytettäessä yhdessä sellaisten laitteiden kanssa, joissa aksiaalilla painumisella on raajan kokonaispituutta lyhentävä vaikutus, heilahdusliike saattaa olla liiallinen. Tällöin saatetaan tarvita jäykempi aksiaalinen jousi. Jos aksiaalinen jousi vaihdetaan, sen toiminta täytyy tarkistaa varmistaen, että kiertoajua säilyy.

Linjaus saattaa vaikuttaa kiertoajua laajuuteen. Liiallinen kiertoajua yhdessä viivästyneen tukivaiheen epävakauden kanssa on merkki riittämättömästä mediaalis-lateraalista vakaudesta ja jalan mediaalis-lateraalista asennosta suhteessa painolinjaan. Jos epävakaus on lateraalista, aseta jalka uudelleen mediaalisesti. Jos taas epävakaus on mediaalista, aseta jalka uudelleen lateraalista. Nämä säädöt pitäisi tarkistaa ennen kuin harkitaan jäykempää kiertoajua.

## 9 TT Pro -pyramidin purkaminen

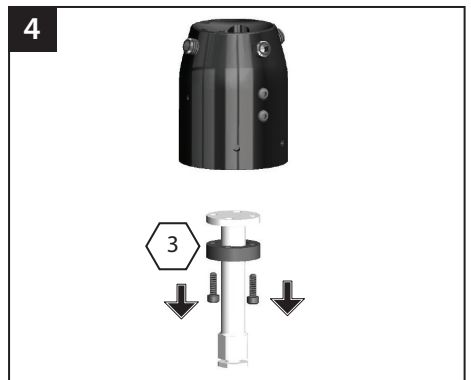
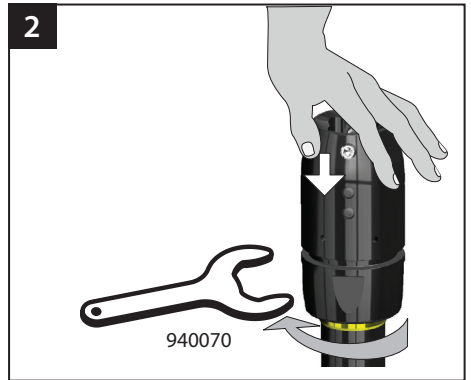
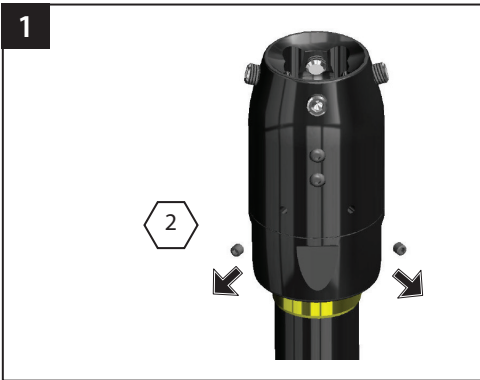
*Tässä kappaleessa esitetyt ohjeet on tarkoitettu vain proteesitekniikoille.*



**Varo sormien juuttumista.**

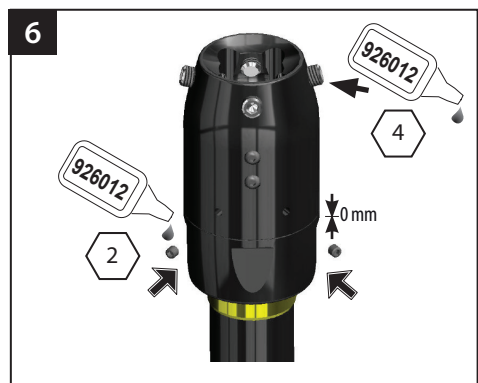
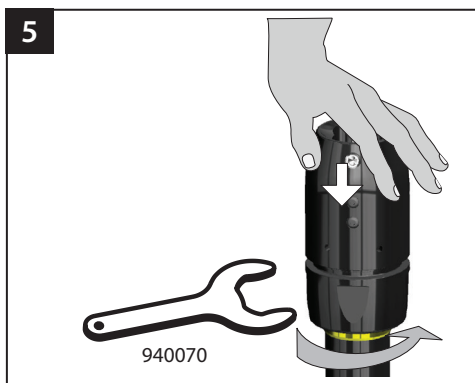
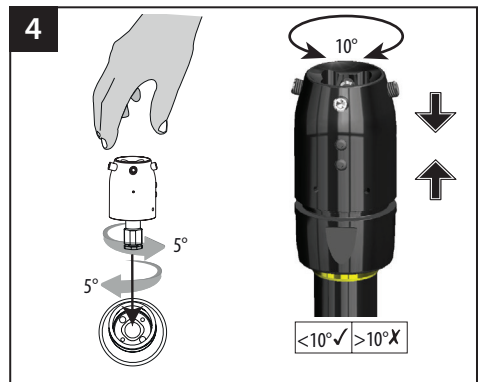
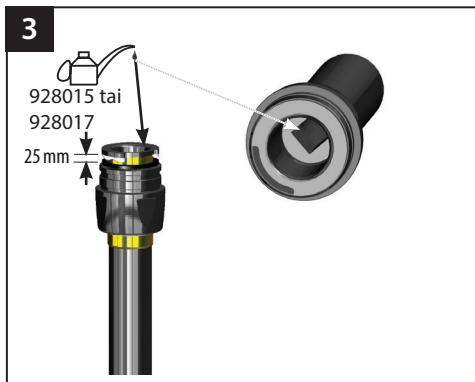
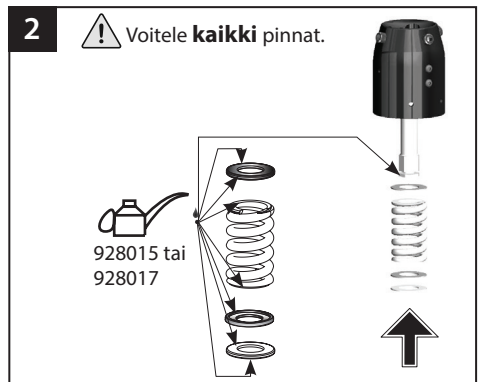
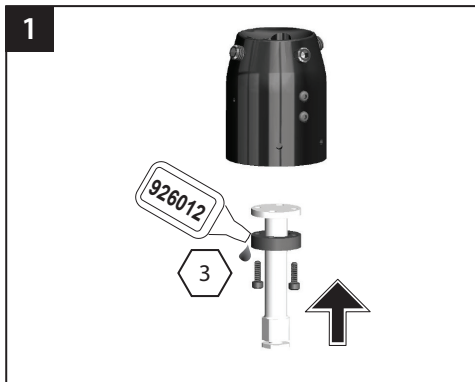


**Käytä aina asianmukaisia suojaruusteita ja sopivia proteesin irrotusvälineitä.**



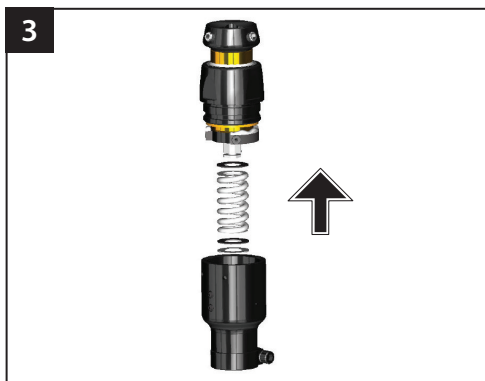
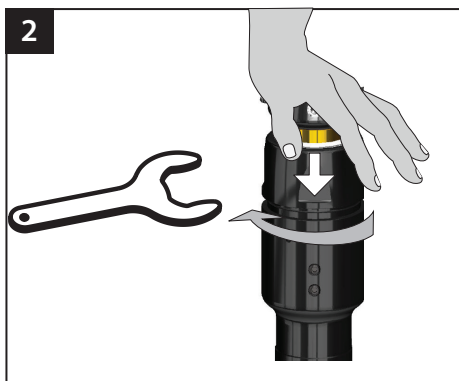
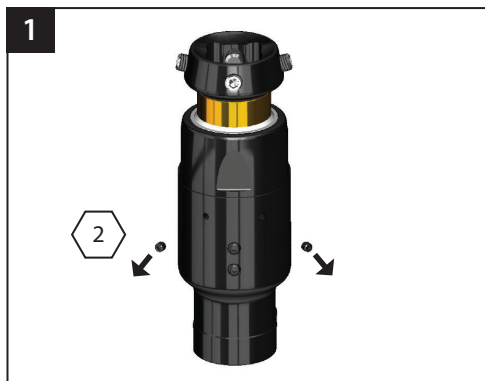
# 10 TT Pro -pyramidin kokoaminen

Tässä kappaleessa esitetyt ohjeet on tarkoitettu vain proteesiteknikoille.



# 11 TT Pro -puristimen purkaminen

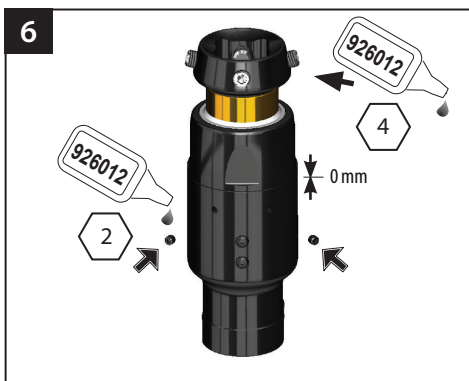
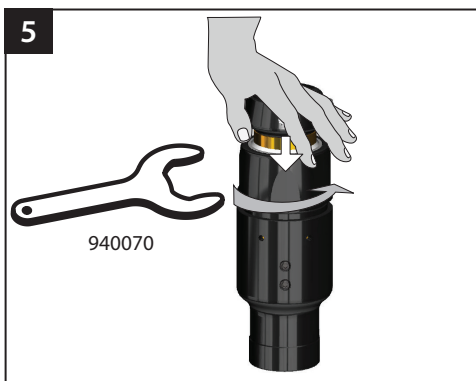
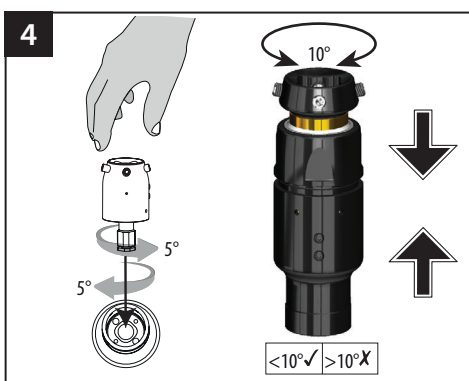
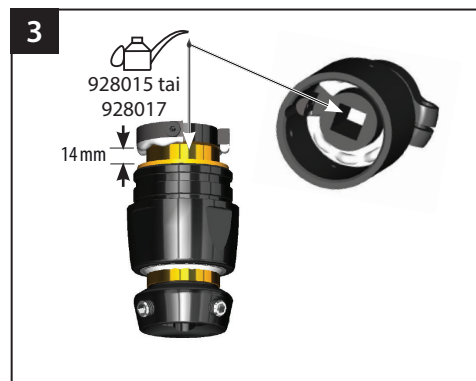
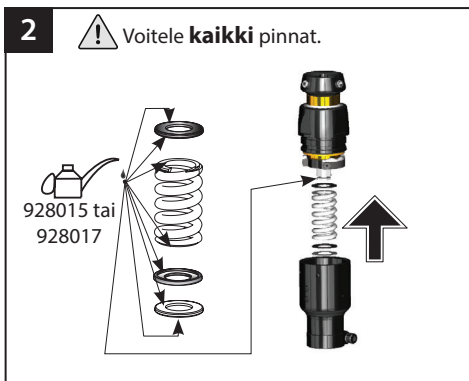
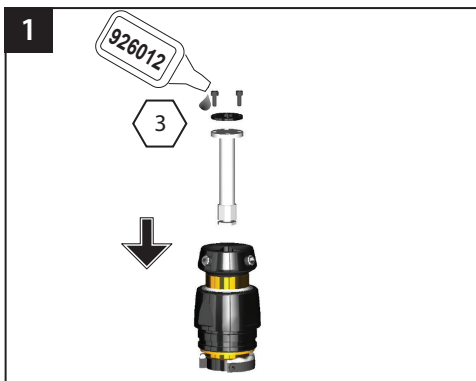
*Tässä kappaleessa esitetyt ohjeet on tarkoitettu vain proteesiteknikoille.*





# 12 TT Pro -puristimen kokoaminen

Tässä kappaleessa esitetyt ohjeet on tarkoitettu vain proteesiteknikoille.

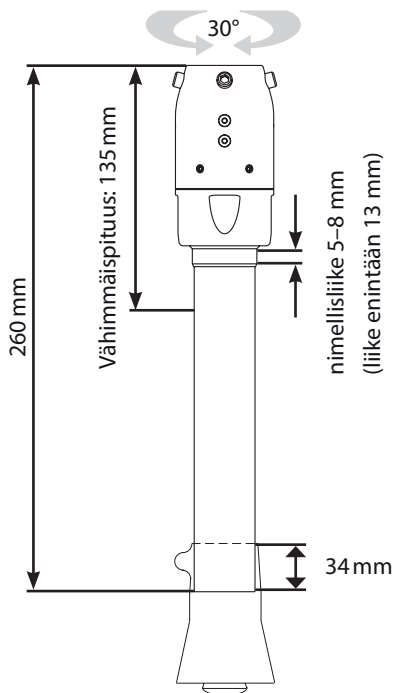
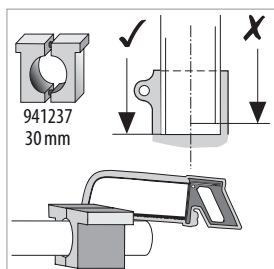


## 13 Tekniset tiedot

Käyttö- ja säilytyslämpötila-alue:	-15–50 °C
Paino:	Pyramidi – 523 g Puristin – 440 g
Aktiivisuustaso:	1–4
Suurin sallittu käyttäjän paino:	Aktiivisuustaso 1–3, 125 kg Aktiivisuustaso 4, 100 kg
Säätöalue:	Proksimaalinen kiinnitys: kulma $\pm 7^\circ$ Distaalikiinnitys: kierto $360^\circ$
Rakenteen korkeus:	TT Pro -pyramidi – 135–226 mm TT Pro -puristin – 109 mm
Proksimaalinen kiinnitys:	Naaraspyramidi (Blatchford)
Distaalikiinnitys:	TT Pro -pyramidi – Blatchford $\varnothing$ 30 mm:n putkenkiristin TT Pro -puristin – Blatchford $\varnothing$ 30 mm:n putki

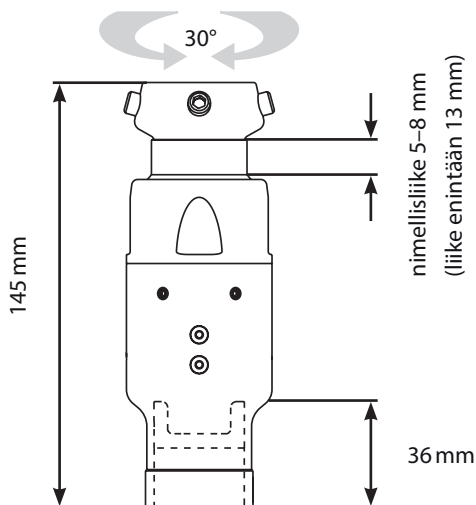
## Sovituspituus TT Pro -pyramidi

Huomautus... Asenna laite niin että ruuvit osoittavat eteenpäin.



## Sovituspituus TT Pro -puristin

Huomautus... Asenna laite niin että ruuvit osoittavat eteenpäin.

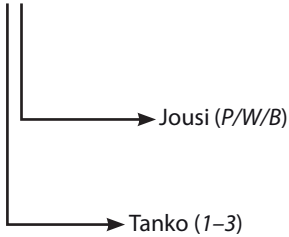


# 14 Tilaustiedot

## Tilausesimerkki

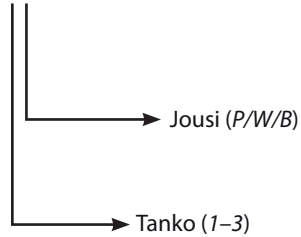
### TT Pro -pyramidi

#### TTPRO-PYR3B



### TT Pro -puristin

#### TTPRO-30-3B



Osa	Osanumero
Kiertotanko	406007 0,5 Nm (1 piste)
	406008 0,6 Nm (2 pistettä)
	406009 0,7 Nm (3 pistettä)
Jousi	406014 sinipunainen (P)
	406015 valkoinen (W)
	406016 musta (B)

Osa	Osanumero
M8x16 uppokantaruuvi	910474
M8x10 uppokantaruuvi	910476
M3x10 kuusiokoloruuvi	910012
M4x4 kupukantaruuvi	910013
M6x20 kuusiokoloruuvi	910048
M6-lukkovälirengas	916150
Jousen aluslevy	406013
Painerengas	405031
Etenevä lukkoaluslevy	406004
30 mm:n säärputken leikkausteline	941237
TT-lenkkiavain	940070

## Vastuu

Valmistaja suosittelee, että laitetta käytetään ainoastaan ilmoitetuissa olosuhteissa ja aiottuun käyttötarkoitukseen. Laitetta täytyy huoltaa laitteen mukana toimitettujen käyttöohjeiden mukaisesti. Valmistaja ei ole vastuussa vahingoista, jotka johtuvat osakokoonpanoista, joita valmistaja ei ole hyväksynyt.

## CE-vaatimustenmukaisuus

Tämä tuote täyttää lääkinnällisistä laitteista annetun Euroopan unionin säädöksen 2017/745 vaatimukset. Tämä tuote on luokiteltu luokan I tuotteeksi kyseisen säädöksen liitteen VIII luokituskriteerien mukaisesti. Todistus EU:n vaatimustenmukaisuusvakuutuksesta löytyy osoitteesta: [www.blatchford.co.uk](http://www.blatchford.co.uk)



Lääkinnällinen laite



Yhdelle potilaalle, kestävä käyttöinen

## Yhteensopivuus

Blatchfordin omien tuotteiden käyttö on hyväksytty edellyttäen että ne on testattu asiaankuuluvien standardien ja MDR-asetuksen mukaisesti käsittäen myös rakenteellisen testin, mittojen yhteensopivuuden ja valvotun kenttätoimivuuden.

Vaihtoehtoisia CE-merkittyjä tuotteita käytettäessä täytyy ottaa huomioon proteesitekniikan tekemä dokumentoitu paikallinen riskiarviointi.

## Takuu

Tällä laitteella on 24 kuukauden takuu.

Käyttäjän tulee olla tietoinen siitä, että takuu, käyttö lupa ja erityisluvut voidaan mitätöidä, jos laitteeseen tehdään muutoksia tai muunnoksia, joita ei ole erikseen hyväksytty.

Tämänhetkiset täydelliset takuutiedot löytyvät Blatchfordin verkkosivustolta.

## Vakavista tapahtumista ilmoittaminen

Jos tähän laitteeseen liittyvä vakava tapahtuma sattuu (mikä on hyvin epätodennäköistä), asiasta tulee ilmoittaa valmistajalle ja kansalliselle toimivaltaiselle viranomaiselle.

## Ympäristötiedot

Tämä tuote on valmistettu kierrätettävistä materiaaleista. Osat tulee kierrättää, mikäli mahdollista, paikallisten jätehuoltomääräysten mukaisesti.

## Pakkausetiketin säilyttäminen

On suositeltavaa, että proteesitekniikko säilyttää pakkausetiketin tiedoksi tulevan varalle.

## Valmistajan rekisteröity osoite

Blatchford Products Limited, Lister Road, Basingstoke RG22 4AH, Iso-Britannia.

## Tavaramerkkejä koskevat tiedot

TT Pro ja Blatchford ovat Blatchford Products Limitedin rekisteröityjä tavaramerkkejä.

Innehåll .....	58
1 Beskrivning och avsett syfte.....	59
2 Säkerhetsinformation .....	60
3 Konstruktion .....	61
4 Funktion.....	62
5 Underhåll.....	62
6 Begränsningar av användningen .....	62
7 Inriktning på arbetsbänken.....	63
8 Inpassningsråd .....	64
9 Demontera TT Pro Pyramid .....	64
10 Montera TT Pro Pyramid .....	65
11 Demontera TT Pro Clamp .....	66
12 Montera TT Pro Clamp.....	67
13 Tekniska uppgifter .....	68
14 Beställningsinformation .....	70

# 1 Beskrivning och avsett syfte

Denna bruksanvisning är avsedd för användning av läkare och brukare om inget annat anges.

Termen enhet används i hela denna bruksanvisning för att referera till TT Pro.

Läs och se till att du förstår hela bruksanvisningen, särskilt all säkerhetsinformation och alla underhållsinstruktioner.

## Användningssätt

Denna enhet ska användas som en komponent i en underbensprotes.

Avsedd för en enda brukare.

Enheten är en stöt- och vridningsdämpare som balanserar stötdämpning och energihantering. Minskad belastning vid kontaktytan mellan kroppen och protesen ger brukarna större komfort.

## Aktivitetsnivå

Den här enheten rekommenderas för brukare som har potential att uppnå aktivitetsnivå 3 eller 4. Det finns naturligtvis undantag och i vår rekommendation vill vi tillåta unika, individuella omständigheter. Varje sådant beslut bör fattas med en sund och grundlig motivering.

Obs!... Högsta brukarvikt för brukare på nivå 4 är 100 kg.

### Aktivitetsnivå 1

Har förmåga eller potential att använda protes för förflyttning eller rörlighet på plana ytor i jämn takt. Typiskt för en patient som rör sig begränsat eller obegränsat.

### Aktivitetsnivå 2

Har förmåga eller potential att förflytta sig förbi enkla hinder som trottoarkanter, trappor eller ojämna ytor. Typiskt för en patient som rör sig begränsat ute i samhället.

### Aktivitetsnivå 3

Har förmåga eller potential att förflytta sig i variabel takt.

Typiskt för en person som har förmåga att ta sig förbi de flesta hinder i miljön och som kan bedriva yrkesmässig, terapeutisk eller motionsinriktad aktivitet som kräver att protesen kan användas för mer än bara enkel förflyttning.

### Aktivitetsnivå 4

Har förmåga eller potential att förflytta sig med hjälp av en protes som överskrider den grundläggande rörelseförmågan och har höga stöt-, belastnings- eller energinivåer. Typiskt för behovet av protes hos ett barn, en aktiv vuxen eller en idrottsman.

## Kontraindikationer

Den här enheten är kanske inte lämplig för personer på aktivitetsnivå 1 eller för tävlingsinriktade idrottsevenemang, eftersom dessa typer av brukare har bättre nytta av en särskilt utformad protes som är optimerad för deras behov.

Se till att brukaren har förstått alla bruksanvisningar och särskilt informationen om underhåll och säkerhet.

## Klinisk nytta

- Minskad belastning på kvarvarande extremitet jämfört med styva pyloner
- Minskad ryggsmärta vid vridning jämfört med styva pyloner
- Ökad gånghastighet jämfört med styva pyloner

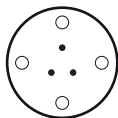
# Torsionsstav och fjäderval

## Torsionsstav

1 = 1 punkt

2 = 2 punkter

3 = 3 punkter



## fjäder

P = Lila

W = Vit

B = Svart



Vikt kg

Effektnivå

Låg

Måttlig

Hög

44–52	1P	2P	3W
53–59	2P	2W	3W
60–68	2P	3W	3B
69–77	2W	3W	3B
78–88	2W	3B	3B
89–100	3B	3B	3B
101–116	3B	3B	–
117–125	3B	3B	–

## 2 Säkerhetsinformation



Denna varningssymbol visas vid viktig säkerhetsinformation som måste följas noggrant.



Eventuella förändringar i extremitetens prestanda eller funktion, t. ex. begränsad rörelse, osmidig rörelse eller ovanliga ljud, ska omedelbart rapporteras till din serviceleverantör.



Använd alltid ett räcke när du går nedför trappor och vid andra tillfällen om det finns något.



Enheten är inte lämplig för extremsport, löpnings- eller cykeltävlingar, is- och snösporter eller i extrema sluttningar eller trappor. Alla sådana aktiviteter utförs helt och hållet på brukarens egen risk. Cykling som rekreation är acceptabelt.



Montering, underhåll och reparation av enheten får endast utföras av klinisk personal med lämpliga kvalifikationer.



Brukaren ska kontakta sin läkare om hens tillstånd förändras.



Se till att endast lämpliga, specialutrustade fordon används vid körning. Alla måste följa sina respektive trafiklagar vid framförande av motorfordon.



För att minimera risken för att halka och snubbla måste lämpliga skor som sitter säkert på fotskalet alltid användas.

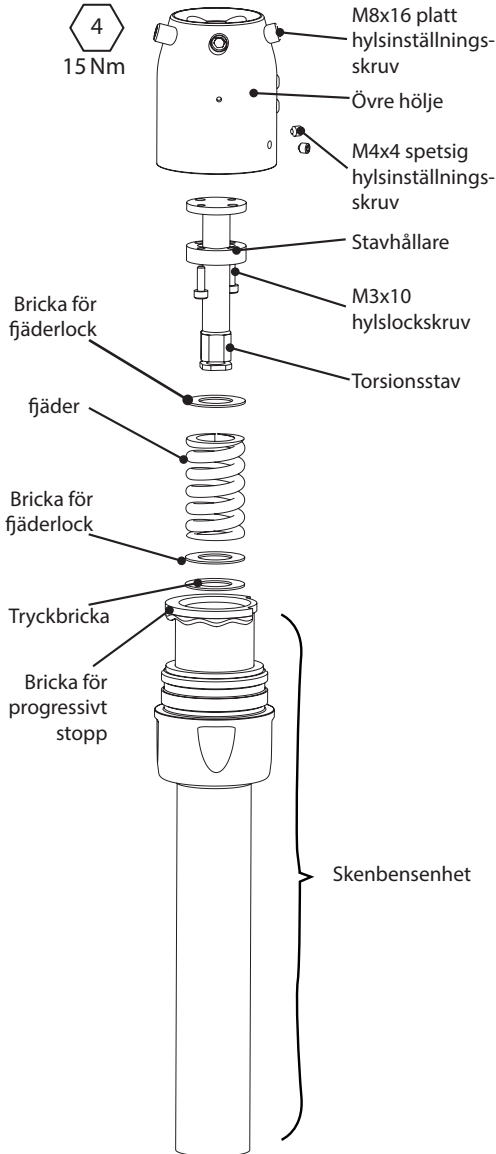


# 3 Konstruktion

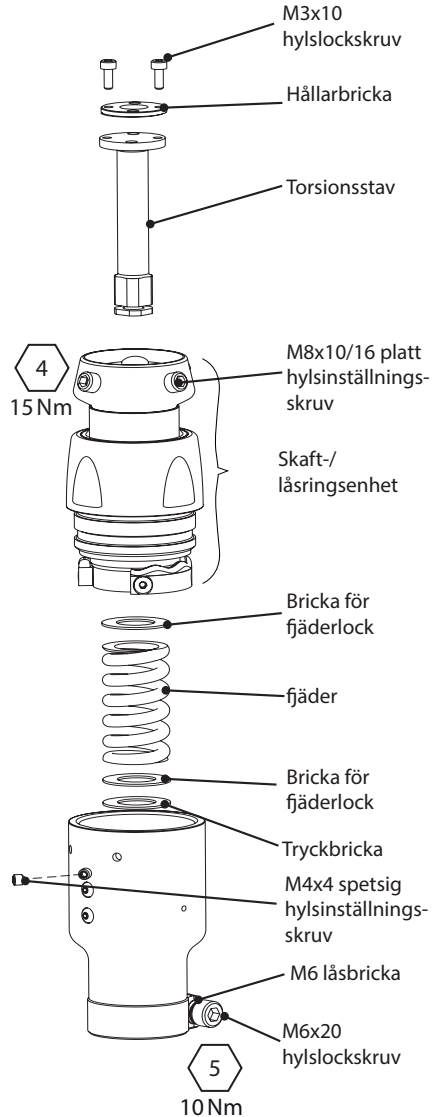
## Huvuddelar

- Övre hölje/rörklämanordning (aluminium, kolstål, rostfritt stål, acetalhomopolymer, PTFE, PU)
- Torsionsstav (acetalhomopolymer)
- Skaf/läsringenshet (rostfritt stål/ aluminiumlegering)
- Fjäder (kolstål)
- Skenbensenshet (rostfritt stål/aluminium)

### TT Pro Pyramid



### TT Pro Clamp



---

## 4 Funktion

Enheten består av en energieffektiv spiralfjäder och en torsionsstav av polymer. Tillsammans minskar dessa komponenter både skjuvkraften vid kontaktytan med hylsan under hälisättning och vridkrafter under vändningar. Energin som lagras i den axiella fjädern i stående ställning returneras vid tålyft för att ge en smidig, energieffektiv gång. Lagerytorna är belagda med titannitrid, vilket ger en slitstark yta med låg friktion för rörliga delar.

---

## 5 Underhåll

Brukaren bör uppmanas att rapportera följande till läkaren:

- Förändringar av kroppsvikt eller aktivitetsnivå
- Förändringar av enhetens prestanda, till exempel:
  - Ovanliga ljud eller spel.
  - Reducerad energiåterfjädring.

Om enheten används för extrem aktivitet bör underhållsnivån och -intervallen ses över och vid behov bör råd och teknisk support sökas för att planera ett nytt underhållsschema utifrån aktivitetens frekvens och art. Detta bör fastställas genom en lokal riskbedömning som utförs av en person med lämpliga kvalifikationer.

### Rengöring

Använd en fuktig trasa och mild tvål för att rengöra utsidan. Använd **inte** starka rengöringsmedel.

### *Övriga instruktioner i det här avsnittet är endast avsedda för läkaren.*

Endast behörig personal ska utföra underhåll.

Utför följande underhåll årligen:

- Demontera, rengör och smörj delar så som visas i avsnitt 9–12 om demontering och montering
- Kontrollera om det förekommer rotationsspel
- Byt ut torsionsstaven om den är sliten

---

## 6 Begränsningar av användningen

### **Avsedd livslängd**

En lokal riskbedömning bör utföras på grundval av aktivitet och användning.

### **Lyft av laster**

Brukarens vikt och aktivitet styrs av de angivna gränserna. Den belastning som brukaren transporterar ska baseras på en lokal riskbedömning.

### **Miljö**

Undvik att utsätta enheten för korroderande ämnen som vatten, syror och andra vätskor. Undvik nötande miljöer som t.ex. sandiga miljöer, eftersom dessa kan orsaka förtida slitage.

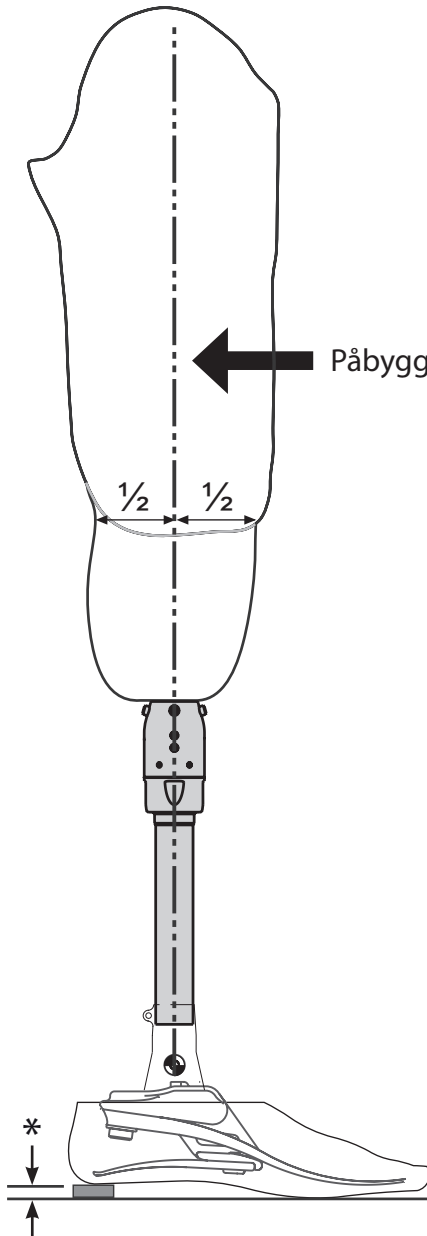
Får endast användas mellan -15 °C och 50 °C.



Lämplig för utomhusbruk

## 7 Inriktning på arbetsbänken

*Instruktionerna i det här avsnittet är endast avsedda för läkaren.*



### Ytterligare komponenter

Följ de inriktningsinstruktioner som medföljer eventuella ytterligare komponenter.

Påbyggnadslinjen ska passera genom enhetens mitt.

Påbyggnadslinje

\* Lämna plats för brukarens skor.

## 8 Inpassningsråd

*Instruktionerna i det här avsnittet är endast avsedda för läkaren.*

Enheten använder en oberoende axiell fjäder och en torsionsstav för att kontrollera motståndet vid kompression och vridning. En typisk axiell rörelse ska vara 5–8 mm vid normal gång.

När enheten används i kombination med andra enheter som har en axiell kompression som ger en allmänt förkortande effekt på extremiteten kan den totala avböjningen bli för stor. I dessa fall kan en styvare axiell fjäder vara lämplig. Om den axiella fjädern ändras bör funktionen kontrolleras för att bekräfta att torsionsföljbarheten har bibehållits.

Området för vridrörelser kan påverkas av inriktningen. Överdriven vridningsrörelse i kombination med instabilitet i slutet av ståendet indikerar otillräcklig M–L-stabilitet och M–L-positionering av foten i förhållande till viktlinjen. Om instabiliteten är lateral ska foten flyttas medialt, och om instabiliteten är medial ska foten flyttas lateralt. Dessa justeringar bör kontrolleras innan man överväger en styvare torsionsstav.

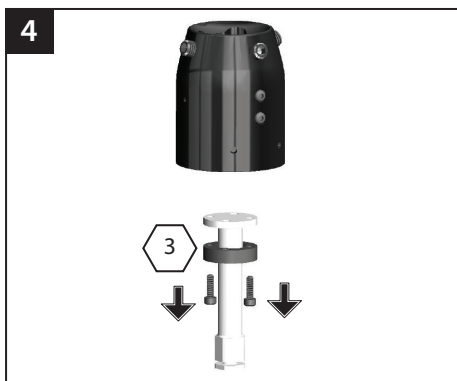
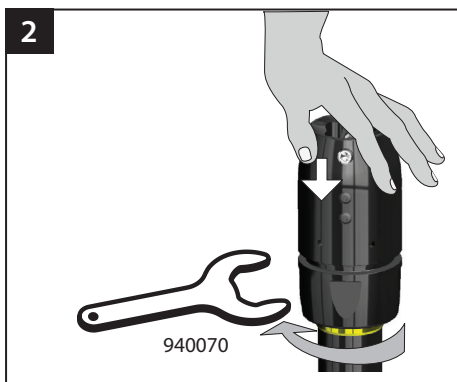
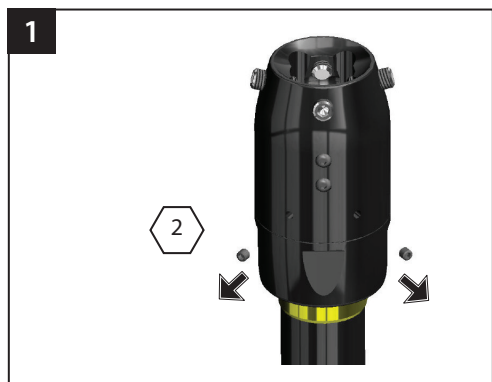
## 9 Demontera TT Pro Pyramid

*Instruktionerna i det här avsnittet är endast avsedda för läkaren.*



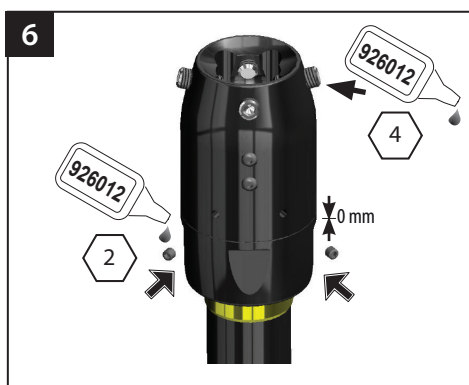
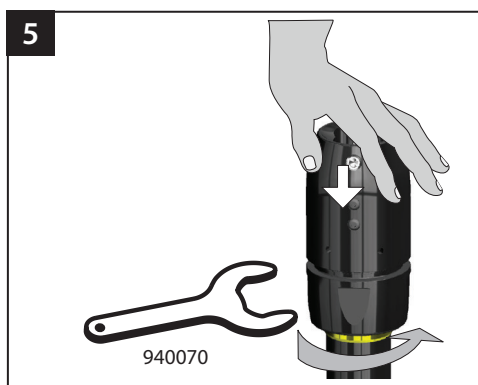
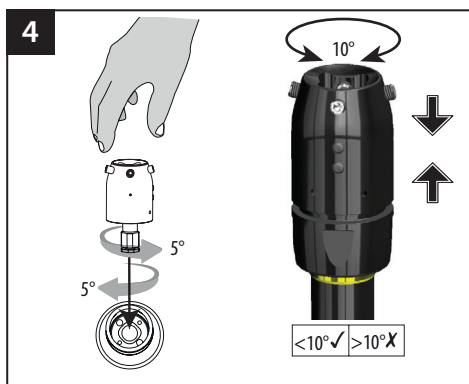
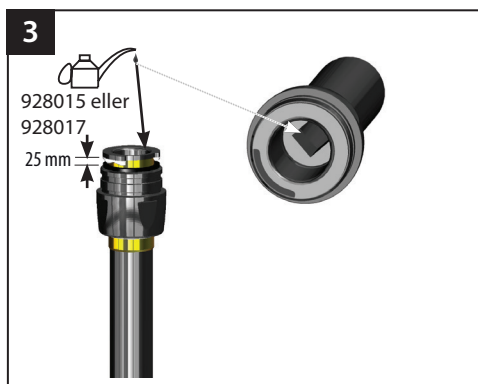
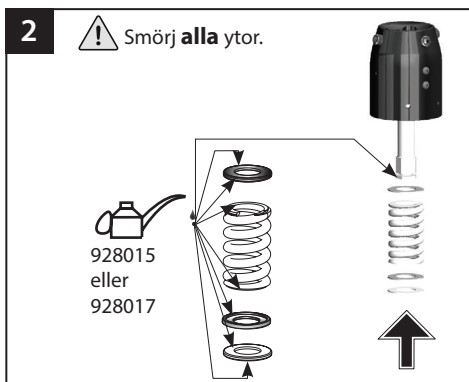
**Var alltid medveten om risken för att fingrarna kommer i kläm.**

**Använd alltid lämplig hälso- och säkerhetsutrustning, inklusive utsugsutrustning.**



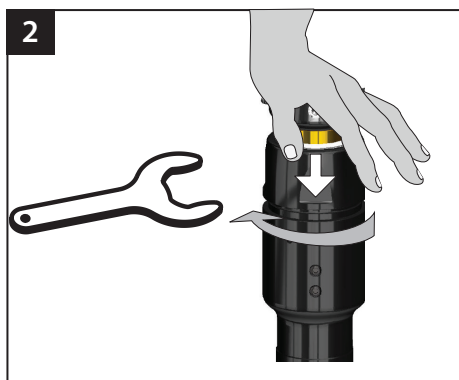
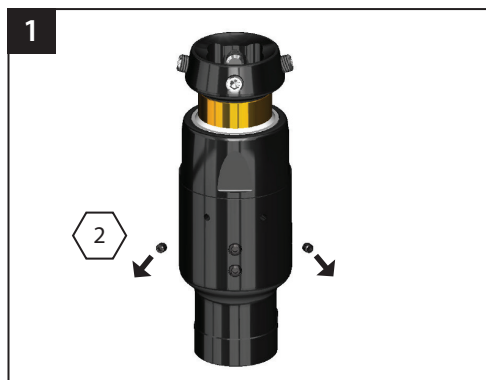
# 10 Montera TT Pro Pyramid

*Instruktionerna i det här avsnittet är endast avsedda för läkaren.*



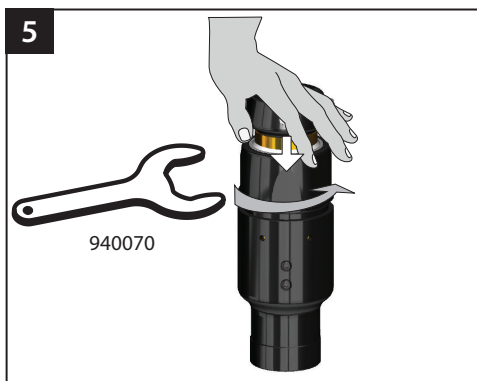
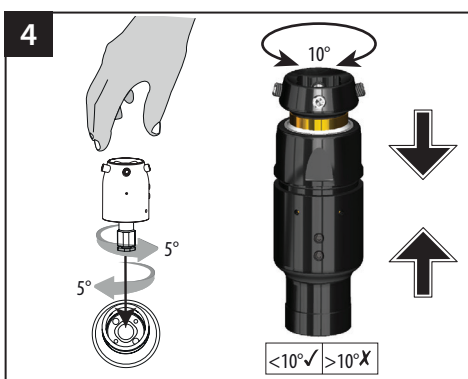
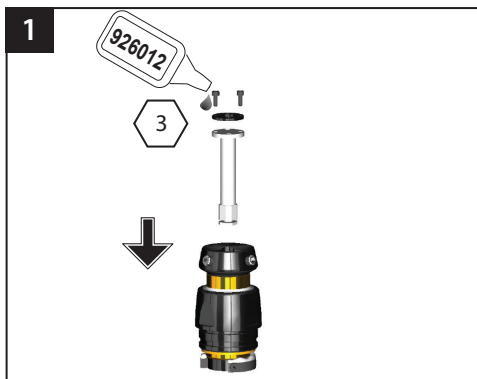
# 11 Demontera TT Pro Clamp

*Instruktionerna i det här avsnittet är endast avsedda för läkaren.*



# 12 Montera TT Pro Clamp

Instruktionerna i det här avsnittet är endast avsedda för läkaren.



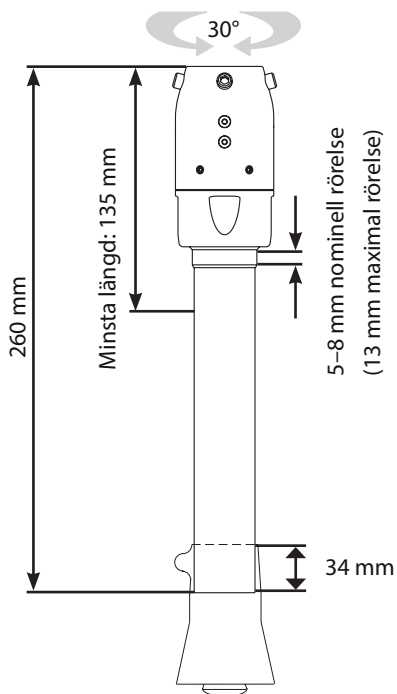
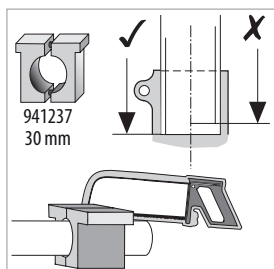
## 13 Tekniska uppgifter

Temperatur vid drift och förvaring:	-15 °C till 50 °C
Komponentvikt:	Pyramid – 523 g Clamp – 440 g
Aktivitetsnivå:	1–4
Maximal brukarvikt:	Aktivitetsnivå 1–3 – 125 kg Aktivitetsnivå 4 – 100 kg
Justeringsintervall:	Proximal infästning: $\pm 7^\circ$ vinkling Distalt fäste: 360° rotation
Påbyggnadshöjd:	TT Pro Pyramid – 135–226 mm TT Pro Clamp – 109 mm
Proximal infästning:	Honpyramid (Blatchford)
Distalt fäste:	TT Pro Pyramid – Blatchford $\varnothing$ 30 mm rörklämma TT Pro Clamp – Blatchford $\varnothing$ 30 mm rör



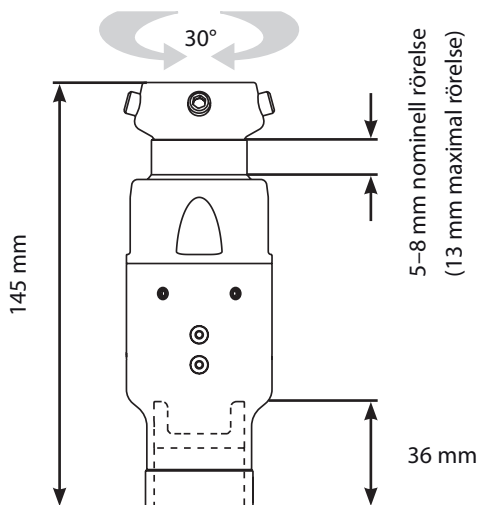
## Inpassningslängd: TT Pro Pyramid

Obs!... Montera enheten med skruvarna vända framåt.



## Inpassningslängd: TT Pro Clamp

Obs!... Montera enheten med skruvarna vända framåt.



# 14 Beställningsinformation

## Exempel på beställning

TT PRO Pyramid

TTPRO-PYR3B



TT PRO Clamp

TTPRO-30-3B



Artikel	Artikelnummer
Torsionsstav	406007 0,5 Nm (1 punkt)
	406008 0,6 Nm (2 punkter)
	406009 0,7 Nm (3 punkter)
fjäder	406014 Lila (P)
	406015 Vit (W)
	406016 Svart (B)

Artikel	Artikelnummer
M8x16 platt hylsinställningsskruv	910474
M8x10 platt hylsinställningsskruv	910476
M3x10 hylslocksksruv	910012
M4x4 spetsig hylsinställningsskruv	910013
M6x20 hylslocksksruv	910048
M6 låsbricka	916150
Bricka för fjäderlock	406013
Tryckbricka	405031
Bricka för progressivt stopp	406004
30 mm skenbensskärjigg	941237
TT låsringsnyckel	940070

## Ansvar

Tillverkaren rekommenderar att enheten endast används under angivna förhållanden och för avsedda ändamål. Enheten måste underhållas i enlighet med de instruktioner som medföljer enheten. Tillverkaren ansvarar inte för skador som orsakas av komponentkombinationer som tillverkaren inte har godkänt.

## CE-överensstämmelse

Denna produkt uppfyller kraven i EU-förordningen 2017/745 för medicintekniska produkter. Denna produkt är klassificerad som en klass I-produkt enligt de klassificeringsregler som anges i Bilaga VIII till förordningen. EU-försäkran om överensstämmelse finns på följande internetadress: [www.blatchford.co.uk](http://www.blatchford.co.uk)



Medicinteknisk utrustning



En patient – flera användningar

## Kompatibilitet

Kombination med Blatchford-märkta produkter är godkänt baserat på tester i enlighet med relevanta standarder och MDR, inklusive strukturellt test, dimensionell kompatibilitet och övervakade fältprestanda.

Kombination med alternativa CE-märkta produkter måste utföras med hänsyn till en dokumenterad lokal riskbedömning som utförts av en praktiserande läkare.

## Garanti

Den här enheten har 24 månaders garanti.

Brukaren bör vara medveten om att ändringar eller modifieringar som inte uttryckligen godkänts kan upphäva garantin, användningslicenserna och undantagen.

På Blatchfords webbplats finns aktuell fullständig garanti.

## Rapportering av allvarliga incidenter

Om det mot förmodan skulle inträffa en allvarlig incident i samband med den här enheten ska denna rapporteras till tillverkaren och den nationella behöriga myndigheten.

## Miljöaspekter

Den här produkten är tillverkad av återvinningsbara material. Om möjligt ska komponenterna återvinnas i enlighet med lokala föreskrifter för avfallshantering.

## Spara förpackningsetiketten

Praktiserande läkare rekommenderas att spara förpackningsetiketten som journal över den levererade enheten.

## Tillverkarens registrerade adress

Blatchford Products Limited, Lister Road, Basingstoke RG22 4AH, Storbritannien.

## Varumärkesinformation

TT Pro och Blatchford är registrerade varumärken som tillhör Blatchford Products Limited.

Содержание .....	72
1 Описание и Основное Назначение .....	73
2 Техника безопасности .....	74
3 Конструкция .....	75
4 Функциональность .....	76
5 Техническое обслуживание .....	76
6 Ограничения при эксплуатации .....	76
7 Стендовая юстировка .....	77
8 Руководство по сборке .....	78
9 Демонтаж пилона TT Pro с проксимальным адаптером под пирамидку и опорой голени .....	78
10 Сборка пилона TT Pro с проксимальным адаптером под пирамидку и опорой голени .....	79
11 Демонтаж пилона TT Pro с дистальным стяжным адаптером (TT Pro Clamp) .....	80
12 Сборка пилона TT Pro с дистальным стяжным адаптером (TT Pro Clamp) .....	81
13 Спецификация .....	82
14 Информация для заказа .....	84

# 1 Описание и Основное Назначение

Данная инструкция предназначена для протезиста и пользователя, если не оговорено иное.

Термин *устройство* относится к торсионному телескопическому пилону TT Pro и будет использован далее в настоящей инструкции.

Пожалуйста прочитайте внимательно данную инструкцию и убедитесь в том, что вам все понятно в ней, особое внимание следует уделить разделам, посвященным технике безопасности и техническому обслуживанию.

## Область применения

Данное устройство должно использоваться исключительно как составная часть протеза нижней конечности.

Устройство предназначается для индивидуального использования.

Данное изделие представляет собой амортизационно-торсионное устройство, которое позволяет достичь оптимальный баланс между амортизацией вертикальной ударной осевой нагрузки и управлением энергией. Устройство позволяет снижать нежелательные нагрузки, возникающие в области интерфейса культи/гильза протеза и обеспечивает пользователям комфорт при носке протеза.

## Уровень двигательной активности

Данное устройство может быть рекомендовано для назначения пользователям, у которых имеется потенциал для достижения Уровня Двигательной Активности 3 или 4. Однако с учетом отдельных обстоятельств существуют индивидуальные исключения для некоторых пользователей, однако это назначение должно быть оправданным и приниматься с учетом общего состояния здоровья.

Примечание... Максимальный вес пользователя для уровня двигательной активности 4 составляет 100кг (220фунтов).

### Уровень Двигательной Активности 1

Пользователь обладает способностью или имеет достаточный потенциал для перемещения на протезе по ровной опорной поверхности с фиксированным темпом ходьбы. Данный уровень типичен для пользователей, которые могут ограниченно или неограниченно перемещаются в пределах помещения.

### Уровень Двигательной Активности 2

Пользователь обладает способностью или имеет достаточный потенциал для перемещения на протезе, а также обладает способностью преодолевать невысокие естественные препятствия, такие как бордюры, ступени лестниц или неровные поверхности. Данный уровень типичен для пользователей, которые ограниченно перемещаются вне пределов помещения.

### Уровень Двигательной Активности 3

Пользователь обладает способностью или имеет достаточный потенциал для перемещения на протезе в переменном темпе вне помещения. Данный уровень типичен для пользователей, которые могут преодолевать большинство естественных препятствий, а также имеющих дополнительные потребности при использовании протеза не только для простого перемещения, но например, при ведении профессиональной деятельности, прохождении лечебно-профилактических процедур или занятий любительским спортом.

### Уровень Двигательной Активности 4

Пользователь обладает способностью или имеет достаточный потенциал для перемещения на протезе вне помещения, превышающий базовые типы перемещений, и сталкивающийся с повышенными вертикальными ударными воздействиями, связанными с высокой нагрузкой на протез при ходьбе. Данный уровень типичен для детей, активных взрослых или спортивных пользователей.

## Противопоказания

Данное устройство может не подходить для пользователей с Уровнем Двигательной Активности 1 или для участия в профессиональных спортивных состязаниях, для таких пользователей рекомендуется использовать специальные протезные системы, оптимальные для удовлетворения их потребностей.

Убедитесь в том, что пользователь осознал всю касающуюся его информацию, особое внимание следует уделить разделам посвященным технике безопасности и техническому обслуживанию.

## Клинические преимущества

- Снижены нежелательные нагрузки на культю, по сравнению с жесткими пилонами
- За счет применения торсионной ротации у пользователей уменьшились боли в спине и улучшилось здоровье опорно-двигательного аппарата, по сравнению с жесткими пилонами
- Увеличена скорость ходьбы, по сравнению с жесткими пилонами

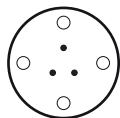
## Таблица выбора торсионного стержня и пружины

### Торсионный стержень

1 = 1 точка

2 = 2 точки

3 = 3 точки



### Торсионная пружина

P = Фиолетовая

W = Белая

B = Черная



Уровень осевого вертикального ударного воздействия

Низкий Умеренный Высокий

Вес пользователя (кг)

44–52	1P	2P	3W
53–59	2P	2W	3W
60–68	2P	3W	3B
69–77	2W	3W	3B
78–88	2W	3B	3B
89–100	3B	3B	3B
101–116	3B	3B	—
117–125	3B	3B	—

## 2 Техника безопасности



**Символом «Внимание» выделяются наиболее важные правила, которые должны соблюдаться неукоснительно.**



При любых изменениях в работе или функциональности протеза, например, неустойчивости, ограничении диапазона движения, не плавном перемещении или возникновении посторонних шумов, пользователь обязан немедленно сообщить об этом своему протезисту.



При спуске по лестнице, а также везде, где это возможно, используйте опорные перила.



Устройство не предназначается для экстремальных спортивных занятий, забегов, велогонок, соревнований на коньках, лыжах, санках, а также для ходьбы по экстремальным наклонным опорным поверхностям и стремянкам. В этом случае вся ответственность за возможные последствия целиком возлагается на пользователя протезной системы.

Допускается любительская езда на велосипеде.



К установке, настройке и техническому обслуживанию устройства допускается только специально обученный и сертифицированный в учебных центрах Blatchford персонал.



Пользователь также обязан незамедлительно сообщить своему протезисту о любых ощутимых изменениях в своем состоянии (в массе тела и/или уровне двигательной активности, а также условий эксплуатации протеза, например, при переезде из городской в сельскую местность).



Убедитесь в том, чтобы ваше транспортное средство было оборудовано всем необходимым для управления человеком с ограниченными возможностями. При вождении транспортного средства пользователь обязан строго соблюдать правила дорожного движения.



Для снижения потенциального риска подскользывания и спотыкания, необходимо всегда использовать подходящую обувь, которая надежно облегает косметическую калашу стопы.

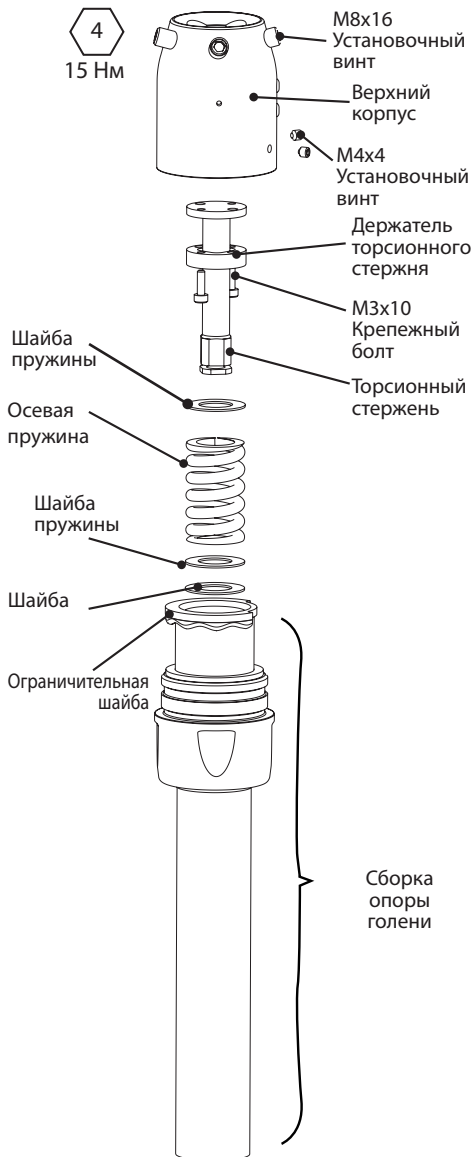
### 3 Конструкция

#### Составные части:

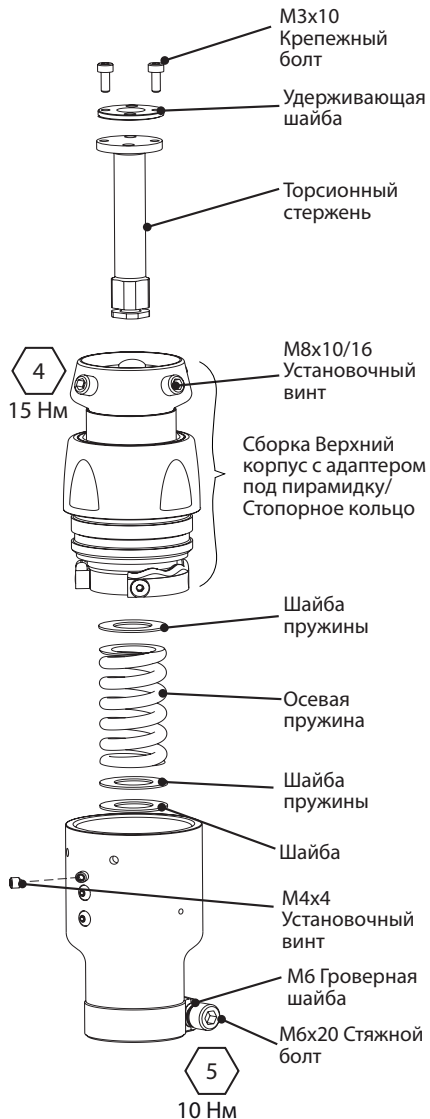
- Верхний корпус/Сборка стяжного адаптера (алюминиевый сплав, углеродистая сталь, нержавеющая сталь, ацетат гомополимер, политетрафторэтилен PTFE, полиуретан)
- Торсионный стержень (ацетат гомополимер)

- Сборка Верхний корпус с адаптером под пирамидку/Стопорное кольцо (нержавеющая сталь/алюминиевый сплав)
- Пружина (углеродистая сталь)
- Сборка опоры голени (нержавеющая сталь/алюминиевый сплав)

#### Пилон TT Pro с проксимальным адаптером под пирамидку и опорой голени



#### Пилон TT Pro с дистальным стяжным адаптером под опору голени диаметром 30 мм



## 4 Функциональность

Данное устройство содержит специальную осевую энергосберегающую спиральную пружину и торсионный стержень. Работая совместно, данные компоненты снижают нежелательные нагрузки, возникающие в местах сопряжения гильзы протеза и культи из-за вертикального осевого ударного воздействия при пяточном ударе и торсионных нагрузок при вращении.

Энергия, накопленная осевой пружинной во время фазы опоры, возвращается в протезную систему при отрыве мыска от опорной поверхности и обеспечивает плавную энергоэффективную походку. Поверхности втулок пилона покрыты нитридом титана, который обеспечивает высокую износостойкость и низкий коэффициент трения для движущихся частей устройства.

## 5 Техническое обслуживание

Пользователь обязан незамедлительно сообщить своему протезисту о нижеследующем:

- Ощутимые изменения веса и/или уровня двигательной активности, а также условий эксплуатации протеза, например, при переезде на постоянное место жительства городской в сельскую местность.
- Ощутимые изменения в работе устройства, например:
  - Посторонние шумы или люфт.
  - Снижение возврата энергии.

Если данное устройство предполагается использовать в условиях экстремальной двигательной активности, то уровень и временной интервал проведения технического обслуживания могут быть изменены, в зависимости от частоты и характера двигательной активности. При этом должна быть проведена компетентная индивидуальная оценка степени локального риска.

### Очистка от загрязнений

Для очистки внешней поверхности используйте влажную не ворсистую ткань и детское мыло, не используйте агрессивные моющие средства.

**Последующие инструкции данного раздела предназначены только для протезиста.**

Техническое обслуживание имеет право производить только сертифицированный персонал, прошедший обучение в учебных центрах Blatchford.

Рекомендуется ежегодно проводить следующие мероприятия по техническому обслуживанию:

- Демонтаж, очистка от загрязнений и смазка частей устройства согласно инструкций по демонтажу и сборке, приведенных в Разделах 9-12.
- Проверить люфт при торсионном вращении
- При необходимости заменить изношенный торсионный стержень.

## 6 Ограничения при эксплуатации

### Срок службы

Срок службы изделия определяется с учетом локальной оценки степени риска, основанной на двигательной активности пользователя и рода деятельности пользователя.

### Поднятие тяжестей

Ограничения зависят от веса пользователя и его уровня двигательной активности.

При переносе тяжестей пользователем должна быть учтена локальная оценка степени риска.

### Условия эксплуатации

При эксплуатации устройства следует избегать воздействие коррозионных реагентов, таких как вода, кислоты и прочие жидкости. Также следует избегать воздействие абразивных сред как, например, песок, поскольку это может вызвать преждевременный износ изделия.

Устройство допускается эксплуатировать только в температурном диапазоне от -15°C до +50°C (от 5°F до 122°F).

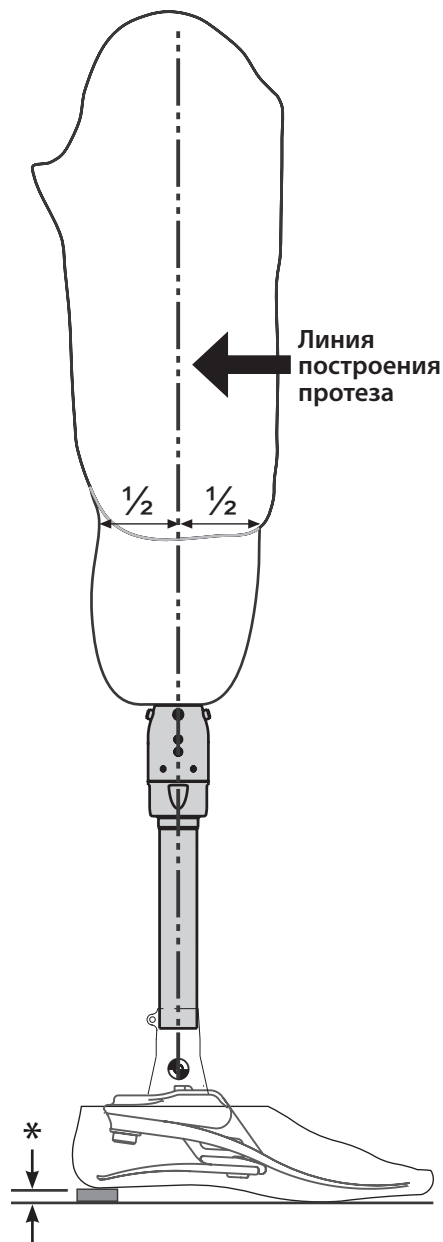


Подходит для всепогодной эксплуатации



## 7 Стендовая юстировка

*Последующие инструкции данного раздела предназначаются только для протезиста.*



### Дополнительные компоненты

Следуйте инструкциям по юстировке, прилагаемым к различным дополнительным компонентам.

Осевая линия построения протеза должна проходить вертикально через ось устройства.

\* Размер зависит от типа предпочитаемой пользователем обуви

## 8 Руководство по сборке

*Последующие инструкции данного раздела предназначены только для протезиста.*

Устройство использует независимые в работе осевую пружину и торсионный стержень, которые позволяют управлять сопротивлением осевому сжатию и торсионному вращению. Типичное осевое перемещение должно составлять 5-8 мм при нормальной ходьбе.

При использовании данного устройства в сочетании с другими изделиями, которые также имеют осевое сжатие, следует учитывать общий эффект укорочения протеза при ходьбе, поскольку такое укорочение может оказаться чрезмерным. В таких случаях может потребоваться более жесткая осевая пружина. При замене осевой пружины необходимо обязательно проверить ее работоспособность, и убедиться в сохранении требуемого уровня торсионного вращения.

Регулировка может повлиять на диапазон вращательного движения. Чрезмерное торсионное вращение в сочетании с неустойчивостью при завершении фазы опоры указывает на недостаточную устойчивость в плоскости М-Л (вперед-назад) и некорректное положение стопы в плоскости М-Л (вперед-назад) по отношению к осевой линии нагрузки. Если неустойчивость возникает в латеральной плоскости, попробуйте немного сместить переместите стопу в медиальной плоскости, и наоборот, если неустойчивость возникает в медиальной плоскости, переместите стопу в латеральной плоскости. Эти настройки рекомендуется проверить, прежде чем рассматривать вариант с применением более жесткого торсионного стержня.

## 9 Демонтаж пилона ТТ Pro с проксимальным адаптером под пирамидку и опорой голени

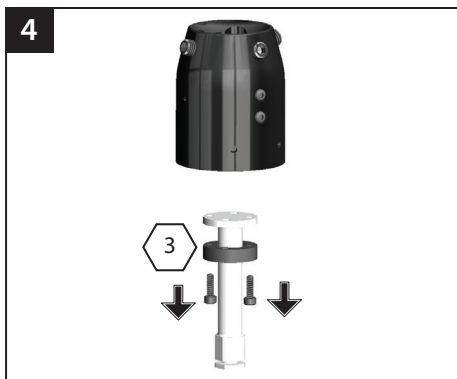
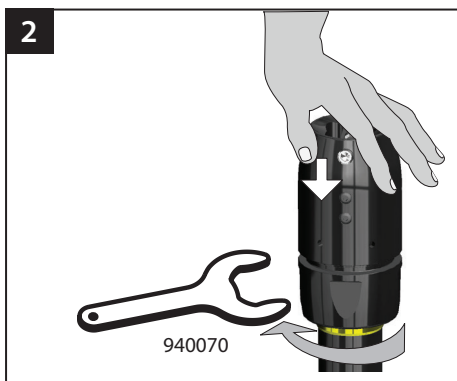
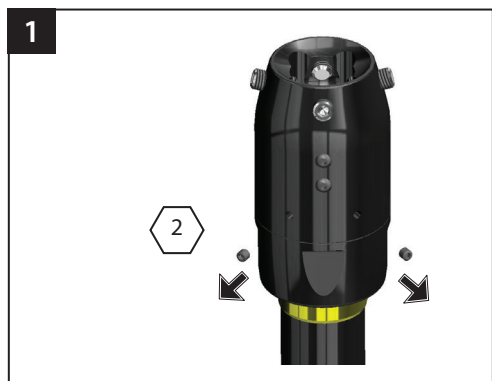
*Последующие инструкции данного раздела предназначены только для протезиста.*



Всегда помните о потенциальном риске защемления пальцев.

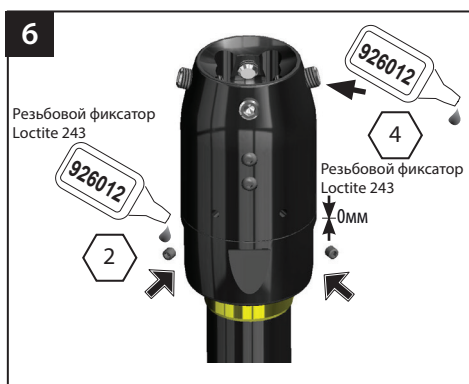
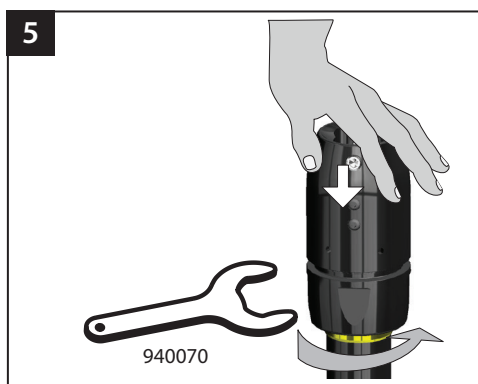
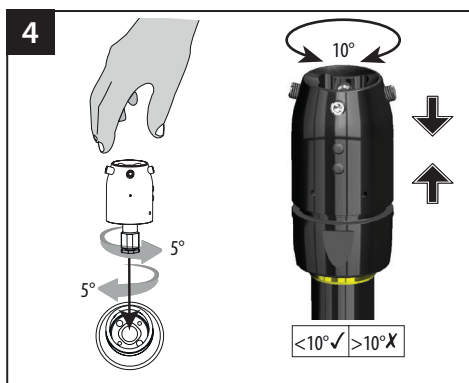
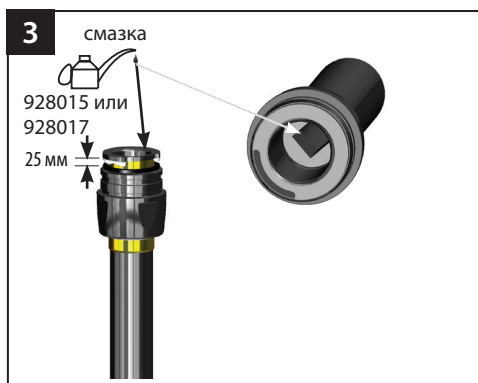
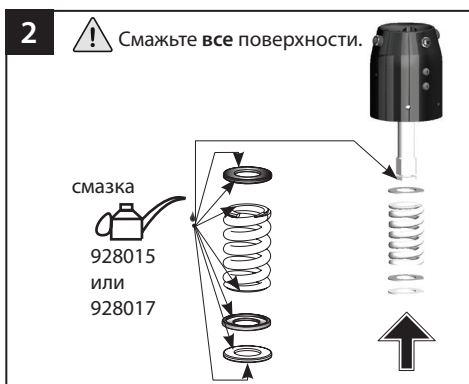


Всегда используйте соответствующее оборудование для обеспечения техники безопасности и охраны труда, включая персональные средства защиты.



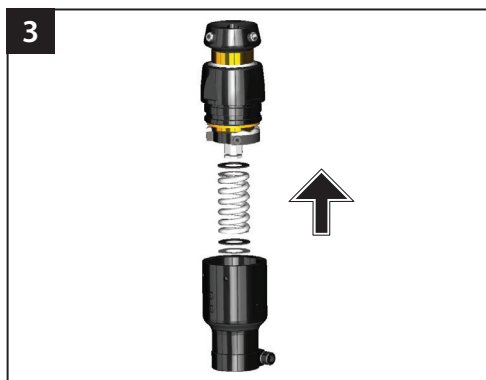
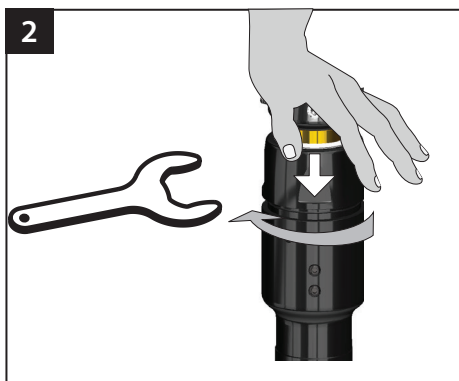
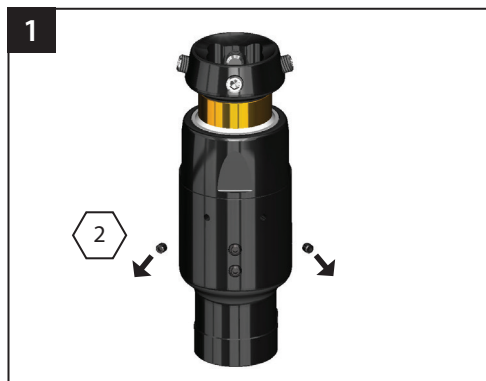
# 10 Сборка пилона TT Pro с проксимальным адаптером под пирамидку и опорой голени

Последующие инструкции данного раздела предназначены только для протезиста.



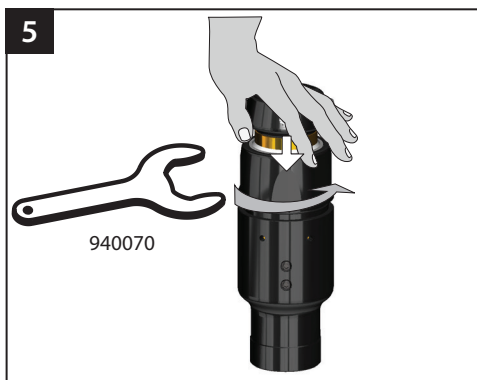
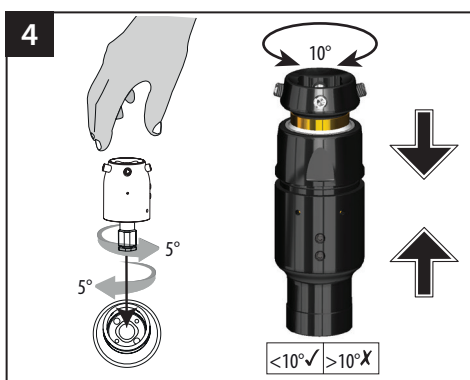
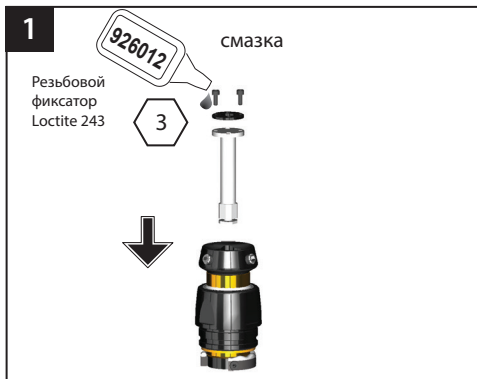
# 11 Демонтаж пилона TT Pro с дистальным стяжным адаптером (TT Pro Clamp)

Последующие инструкции данного раздела предназначены только для протезиста.



## 12 Сборка пилона TT Pro с дистальным стяжным адаптером (TT Pro Clamp)

Последующие инструкции данного раздела предназначены только для протезиста.

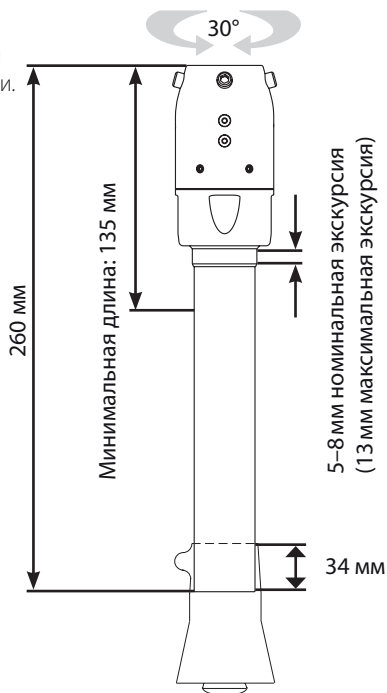
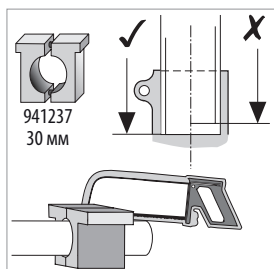


## 13 Спецификация

Температурный диапазон хранения и эксплуатации:	от -15 °C до +50 °C (от 5 °F до 122 °F)
Вес устройства:	С проксимальным адаптером-под пирамидку — 523 г (18 унция) Со стяжным дистальным адаптером — 440 г (15 унций)
Уровень двигательной активности:	1 – 4
Максимальный вес пользователя:	Для уровня двигательной активности 1–3 — 125 кг (275 фунтов) Для уровня двигательной активности 4 — 100 кг (220 фунтов)
Диапазон юстировки:	Проксимальная юстировка: $\pm 7^\circ$ угловая Дистальная юстировка: $360^\circ$ вращательная
Высота конструкции:	TT Pro с проксимальным адаптером под пирамидку — 135–226 мм TT Pro с дистальным стяжным адаптером — 109 мм
Проксимальный адаптер:	Адаптер под пирамидку (Blatchford)
Дистальный адаптер:	TT Pro с проксимальным адаптером под пирамидку — несущий модуль голени Blatchford, $\varnothing 30$ мм TT Pro с дистальным стяжным адаптером — Blatchford стяжной адаптер под несущий модуль голени, $\varnothing 30$ мм

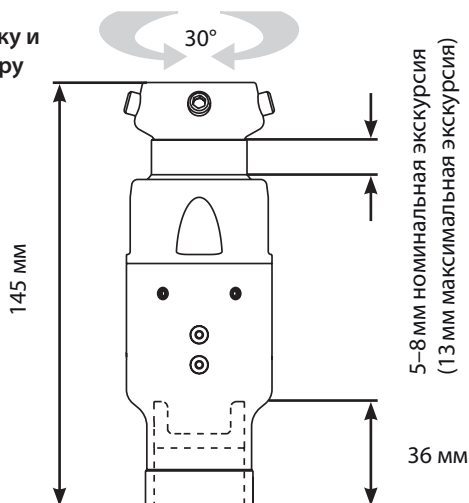
**Сборочные размеры: Пилон ТТ Pro с проксимальным адаптером под пирамидку и дистальной опорой голени (TT Pro Pyramid)**

Примечание... Устройство должно устанавливаться с винтами, расположенными спереди.



**Сборочные размеры: Пилон ТТ Pro с проксимальным адаптером под пирамидку и дистальным стяжным адаптером под опору голени диаметром 30 мм (TT Pro Clamp)**

Примечание... Устройство должно устанавливаться с винтами, расположенными спереди.



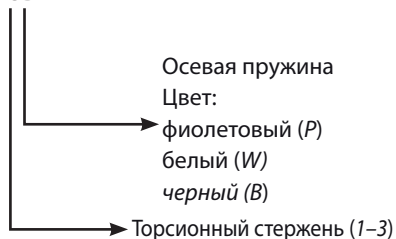
# 14 Информация для заказа

## Пример заказа

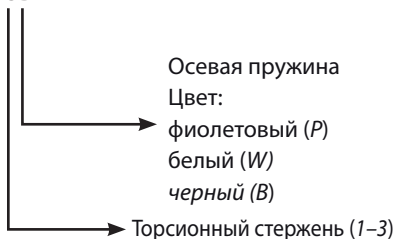
Пилон ТТ Pro с проксимальным адаптером  
под пирамидку и опорой голени  
(TT PRO Pyramid)

Пилон ТТ Pro с дистальным стяжным адаптером  
под опору голени диаметром 30 мм  
(TT PRO Clamp)

TTPRO-PYR3B



TTPRO-30-3B



Запчасти	Шифр
Торсионный стержень	406007 0.5Нм (1 точка)
	406008 0.6Нм (2 точки)
	406009 0.7Нм (3 точки)
Осевая пружина	406014 Фиолетовая (P)
	406015 Белая (W)
	406016 Черная (B)

Запчасти	Шифр
M8x16 установочный винт	910474
M8x10 установочный винт	910476
M3x10 крепежный винт	910012
M4x4 установочный винт	910013
M6x20 крепежный винт	910048
M6 гроверная шайба	916150
Шайба пружины	406013
Шайба	405031
Ограничительная шайба	406004
Приспособление для обрезки несущего модуля голени диаметром 30 мм	941237
Ключ для стопорного кольца пилонa TTPRO	940070



## Ответственность

Изготовитель рекомендует использовать данное устройство только в указанных условиях и предусмотренных целях. Обслуживание устройства должно проводиться согласно прилагаемой к устройству инструкции по эксплуатации. Производитель не несет ответственности за ущерб, вызванный применением комбинацией компонентов, не разрешенной изготовителем.

## Соответствие стандартам Евросоюза CE

Данное изделие соответствует требованиям Евростандарта EU 2017/745 для медицинских изделий. Данное изделие относится к категории устройств класса I в соответствии с критериями классификации, изложенными в Приложении VIII данного Стандарта. Декларация соответствия стандартам Евросоюза доступна для скачивания на сайте компании по адресу: [www.blatchford.co.uk](http://www.blatchford.co.uk)



Медицинское  
устройство



Индивидуальное многократное  
использование

## Совместимость

Допускаются комбинации изделий производства компании Blatchford на основании тестирования по соответствующим стандартам, в том числе и стандартам на медицинские устройства (MDR), включая структурные испытания, совместимость размеров и другие контролируемые эксплуатационные характеристики.

Комбинация с альтернативными изделиями, имеющими маркировку соответствия стандартам Евросоюза CE, должна производиться с учетом оценки локальной степени риска, проводимой компетентным специалистом.

## Гарантийные обязательства

Гарантия на устройство составляет 24 месяца.

Пользователь должен быть предупрежден о том, что любые изменения в конструкции изделия или его модификация, не согласованные с изготовителем, аннулируют гарантию.

Для получения подробной информации о гарантии, пожалуйста, обратитесь к сайту компании Blatchford.

## Побочные эффекты и инциденты

Возникновение побочных эффектов и серьезных инцидентов, связанного с данным устройством, маловероятно, тем не менее, в случае возникновения таковых, следует сообщить об этом производителю и представителю Blatchford в вашем регионе.

## Экологические аспекты

Данное устройство изготовлено из материалов годных для повторного использования материалов.

По возможности само устройство и его компоненты следует утилизировать в соответствии с правилами местного законодательства по утилизации и обращению с отходами.

## Сохранение этикетки на упаковке

Протезисту рекомендуется сохранять этикетку на упаковке, поскольку она содержит необходимые данные о поставляемом устройстве.

## Зарегистрированный адрес производителя

Blatchford Products Limited, Lister Road, Basingstoke RG22 4AH, UK.

## Торговые марки

TT Pro и Blatchford являются зарегистрированными торговыми марками компании Blatchford Products Limited.

目录.....	86
1 说明及设计用途 .....	87
2 安全须知.....	88
3 构造 .....	89
4 功能 .....	90
5 维护 .....	90
6 使用限制.....	90
7 工作台对线.....	91
8 安装建议.....	92
9 拆卸 TT Pro 方锥头 .....	92
10 拆卸 TT Pro 方锥头 .....	93
11 拆卸 TT Pro 夹具.....	94
12 装配 TT Pro 夹具.....	95
13 技术数据.....	96
14 订购须知.....	98

# 1 说明及设计用途

本使用说明供假肢技师和用户使用,除非另有说明。

在本使用说明中频繁出现的“装置”一词用于指代 TT Pro。

请确保您阅读并充分理解使用说明的所有内容,尤其是安全须知和维护部分。

## 用途

本装置仅作为下肢假肢的构成部件使用。

供单人使用。

本装置是一种起到平衡减震和能量管理作用的冲击和扭力装置。减少身体和假肢之间的内接触面应力可提高用户的舒适度。

## 活动等级

本装置建议由有潜力达到 3 级或 4 级活动等级的用户使用。当然,也存在例外情况。通过我们的建议,我们希望用户可以根据自身情况实现独特的个性化应用,但应在充分考虑其合理性之后再决定是否使用本装置。

注意...4 级活动等级的用户体重上限为 100 千克。

### 1 级活动等级

具有用假肢以固定步频在水平面上活动或行走的能力或潜力。通常为受限或不受限活动者。

### 2 级活动等级

具有行走的能力或潜力,能够跨越低矮的环境障碍物,如路缘石、台阶或不平坦表面。通常为受限的社区活动者。

### 3 级活动等级

具备以不同步频行走的能力或潜力。

能够跨越大多数环境障碍物,可能需要在假肢的辅助下从事简单活动以外的职业、治疗或锻炼类活动,通常为社区活动者。

### 4 级活动等级

具有用假肢行走的能力或潜力,行走技能超过基础水平,表现出高冲击力、应力或能量等级。通常为有假肢需求的儿童、活跃型成年人或运动员。

## 不适用

本装置可能不适合 1 级活动水平的人士或竞技类体育活动参与者,此类用户更适合使用经过专门设计,能够满足其特殊需求的假肢。

请确保用户理解使用说明的所有内容,尤其是维护和安全部分。

## 临床优势

- 与刚性管体相比,残肢负荷率更低
- 与刚性管体相比,扭转时腰痛程度更低
- 与刚性管体相比,行走速度更快

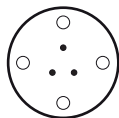
## 扭力杆和弹簧的选择

### 扭力杆

1 = 1 点

2 = 2 点

3 = 3 点

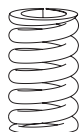


### 弹片

P = 紫色

W = 白色

B = 黑色



体重(千克)

冲击等级

低

中

高

44-52

1P

2P

3W

53-59

2P

2W

3W

60-68

2P

3W

3B

69-77

2W

3W

3B

78-88

2W

3B

3B

89-100

3B

3B

3B

101-116

3B

3B

—

117-125

3B

3B

—

## 2 安全须知



该警告标志用于强调必须认真遵守的重要安全信息。



假肢的性能或功能若有任何变化，如活动受限、动作不顺畅或出现异响，都应立即报知服务提供商。



下台阶时以及任何其他时间都应始终握好扶手(若有)。



本装置不适合极限运动、赛跑、骑行比赛、冰雪运动、极陡坡面和台阶。用户从事任何上述活动都须自行承担一切风险。允许休闲类骑行。



本装置的组装、维护和修理只能由具备适当资质的假肢技师来进行。



用户的身体状况如有变化，应联系其假肢技师。



用户只能驾驶经过适当改装的机动车。操作机动车辆时，所有人员必须遵守各自适用的驾驶法规。



为了将滑倒和绊倒的风险降至最低，必须始终使用与脚套牢固贴合的鞋子。

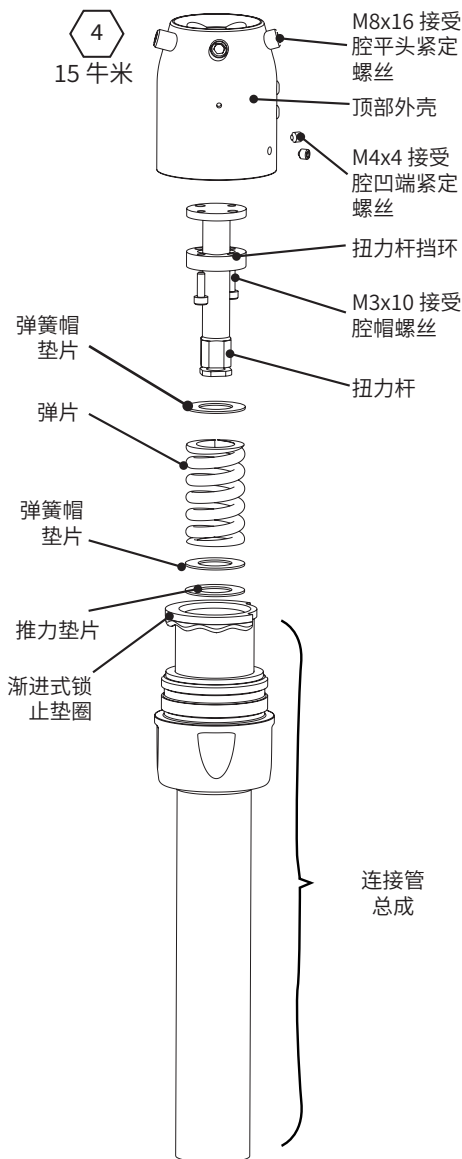
### 3 构造

#### 主要部件

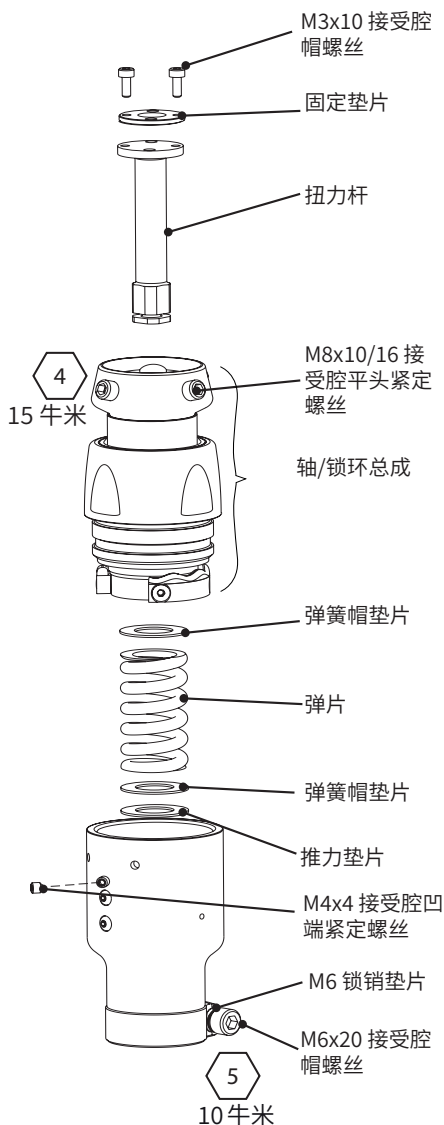
- 顶部外壳/管夹总成 (铝、碳钢、不锈钢、缩醛均聚物、PTFE、PU)
- 扭力杆 (缩醛均聚物)

- 轴/锁环总成 (不锈钢/铝合金)
- 弹簧 (碳钢)
- 连接管总成 (不锈钢/铝)

#### TT Pro 方锥头



#### TT Pro 夹具



---

## 4 功能

本装置带有一个高能效螺旋弹簧和一根聚合物扭力杆。这些部件相互配合,既减少了后跟触地时接受腔内接触面所承受的剪力,也减少了转向时的扭转载荷。在支撑期内,储存在轴向弹簧中的能量在前掌离地时回弹,以提供高能效的流畅步态。轴承表面涂有氮化钛,为活动部件提供耐磨的低摩擦表面。

---

## 5 维护

应建议用户将以下情况报知假肢技师:

- 体重或活动等级发生变化
- 本装置的性能发生改变,例如:
  - 出现异响或间隙。
  - 储能降低

如果用于极限活动,应重新考虑本装置的维护等级和维护间隔,必要时应寻求专业建议和技术支持,以便根据活动频率和性质来制定新的维护计划。该计划应由专业人士通过局部风险评估的方式来确定。

### 清洁

用湿布与温性肥皂清洁外表面。不得使用腐蚀性清洁剂。

本节其余内容仅供假肢技师使用。

维护操作只能由合格人员进行。

以下维护操作应至少每年进行一次:

- 拆卸、清洁并润滑零部件,如各拆卸和装配说明章节所示(9-12)。
- 检查是否存在旋转间隙
- 更换磨损的扭力杆

---

## 6 使用限制

### 预期使用寿命

应根据活动和使用情况进行局部风险评估。

### 负重

用户的体重和活动应遵守所述限制。用户应根据局部风险评估结果进行负重。

### 环境

避免将本装置暴露于腐蚀性元素中,如水、酸和其他液体。避免磨蚀性环境,例如含砂的环境,否则可能导致过早磨损。

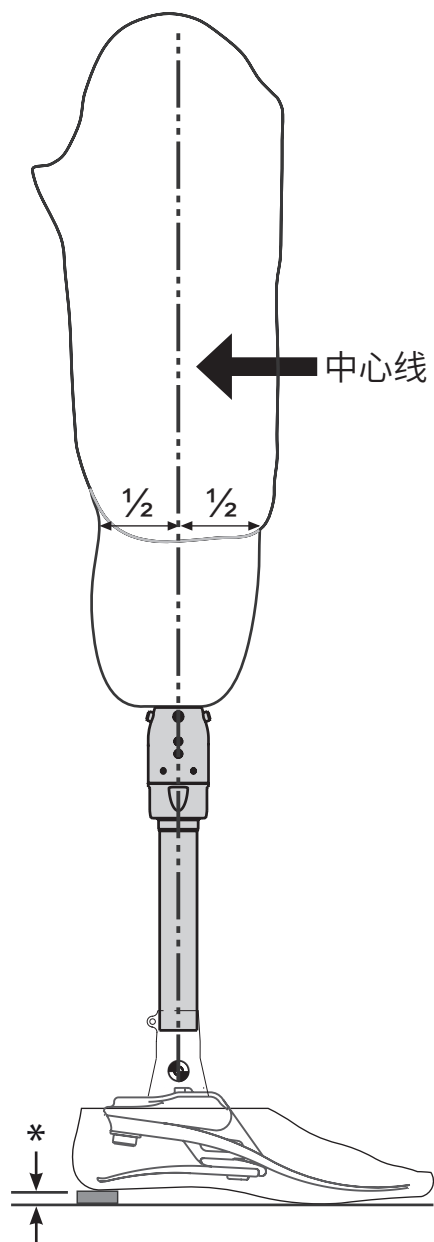
仅限在  $-15^{\circ}\text{C}$  至  $50^{\circ}\text{C}$  范围内使用。



适合户外使用

## 7 工作台对线

本节内容仅供假肢技师使用。



### 其他零部件

按照其他零部件提供的对线说明进行操作。

对线应从本装置的中心穿过。

\*用户可以穿自己的鞋。

## 8 安装建议

本节内容仅供假肢技师使用。

本装置采用一套独立的轴向弹簧和扭力杆来控制压缩和扭转回能。正常行走时，典型的轴向移动应在 5 至 8 毫米之间。


当与其他具有轴向压缩力的装置配合使用时，由于假肢整体变短，整体形变可能会过大。在此类情况下，可能适合使用硬度更大的轴向弹簧。如果轴向弹簧发生变化，应进行功能检查，以确认扭转柔顺度是否得以保持。

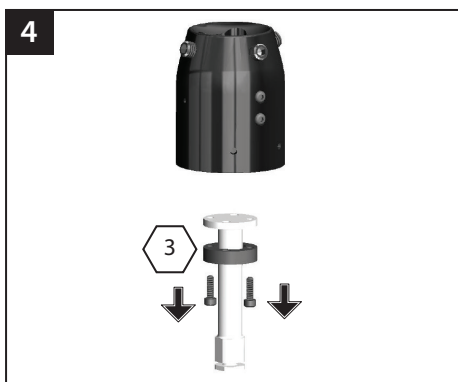
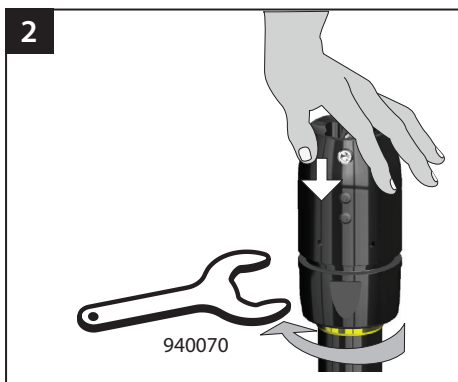
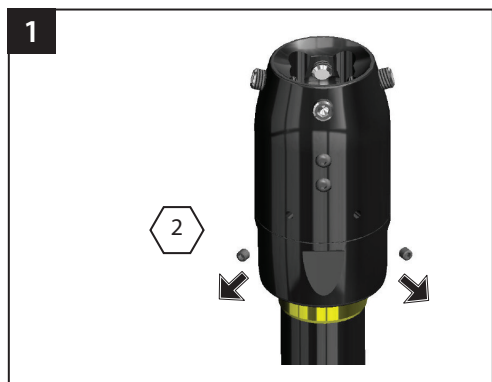
旋转活动范围会受到对线影响。如果扭转活动过度，且支撑期后期出现不稳定性，说明脚板相对于重心线的 M-L 稳定性不足，M-L 定位不当。如果侧向不稳，应将脚板进行居中调整以重新定位；反之，如果居中不稳，则将脚板进行侧向调整以重新定位。在考虑使用硬度更高的扭力杆之前，应先执行这些调整。

## 9 拆卸 TT Pro 方锥头

本节内容仅供假肢技师使用。

 始终注意手指安全，防止夹伤。

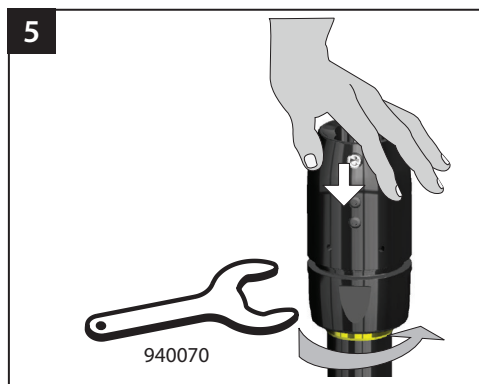
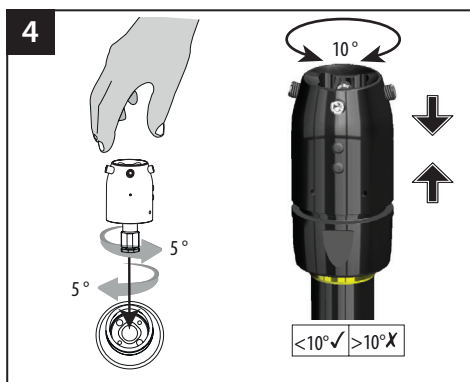
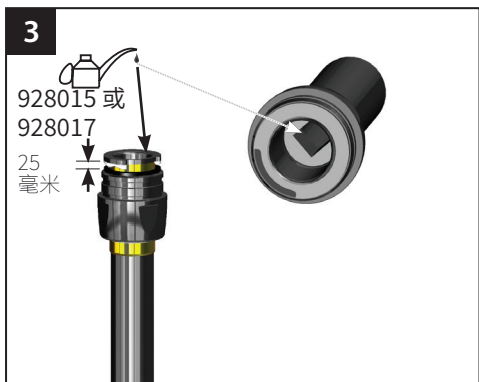
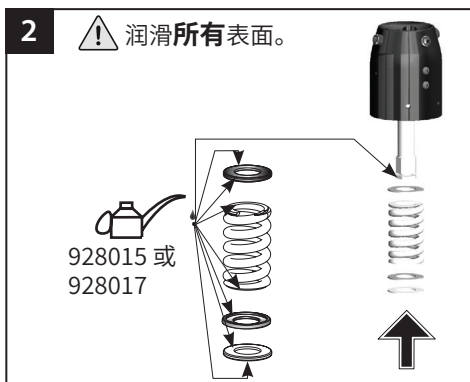
 应始终使用适当的健康与安全设备，包括拆取设施。





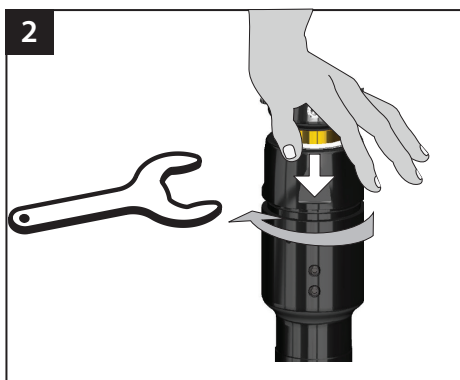
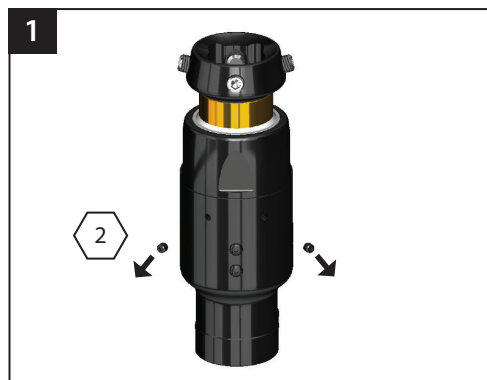
# 10 拆卸 TT Pro 方锥头

本节内容仅供假肢技师使用。



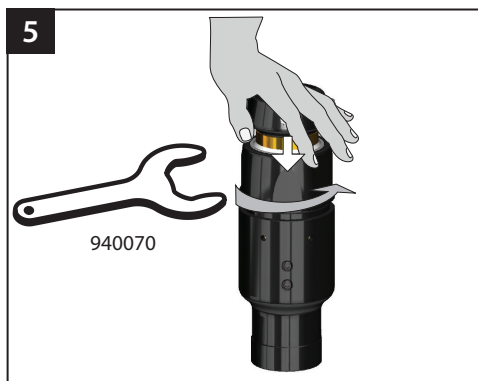
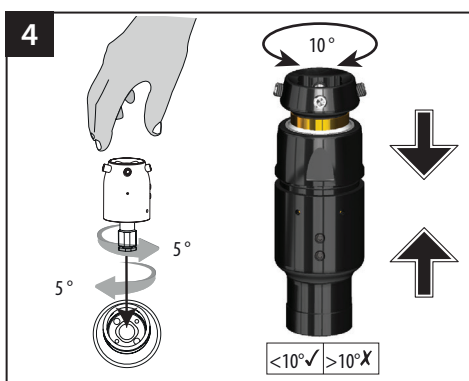
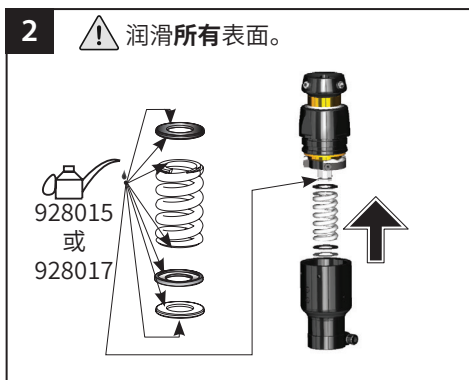
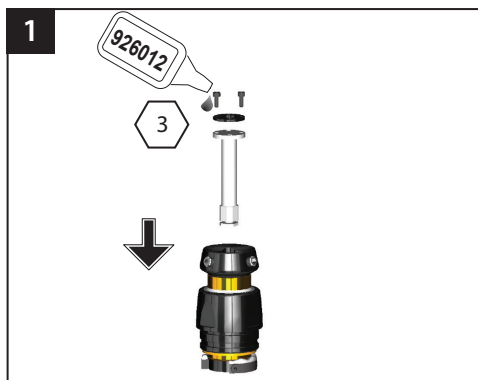
# 11 拆卸 TT Pro 夹具

本节内容仅供假肢技师使用。



# 12 装配 TT Pro 夹具

本节内容仅供假肢技师使用。

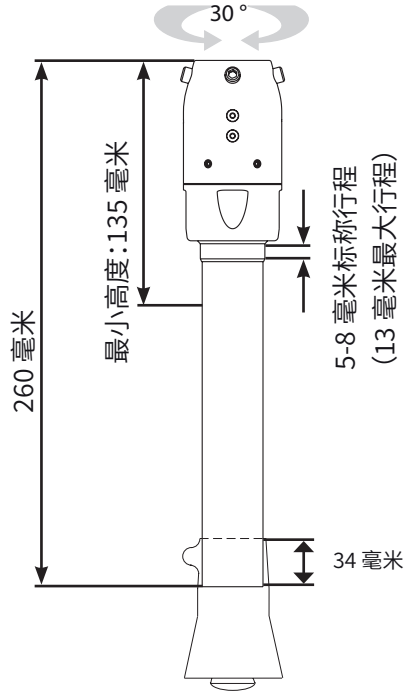
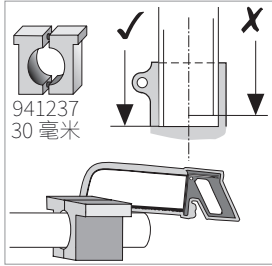


# 13 技术数据

使用和存放温度范围:	-15°C 至 50°C
部件重量:	方锥头 — 523 克 夹具 — 440 克
活动等级:	1-4
用户体重上限:	1-3 级活动等级 — 125 千克 4 级活动等级 — 100 千克
调节范围:	近端附件: 角度 $\pm 7^\circ$ 末端附件: 360° 旋转
结构高度:	TT Pro 方锥头 — 135–226 毫米 TT Pro 夹具 — 109 毫米
近端附件:	阴方锥 (Blatchford)
末端附件:	TT Pro 方锥头 — Blatchford $\varnothing 30$ 毫米管夹 TT Pro 夹具 — Blatchford $\varnothing 30$ 毫米管件

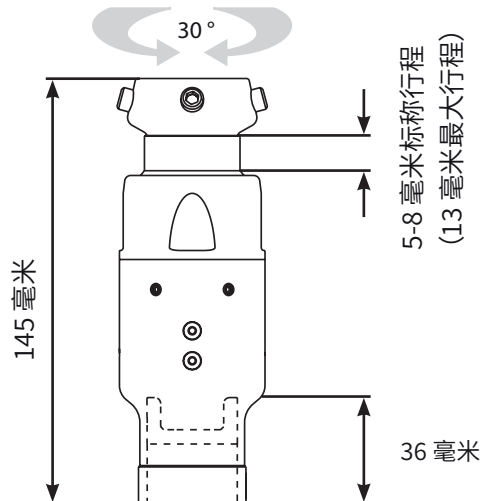
### 安装高度:TT Pro 方锥头

注意...安装本装置时保持螺丝朝前。



### 安装高度:TT Pro 夹具

注意...安装本装置时保持螺丝朝前。

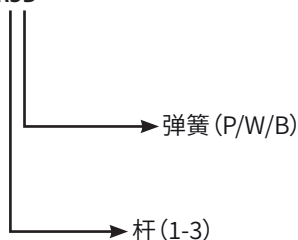


# 14 订购须知

## 订单示例

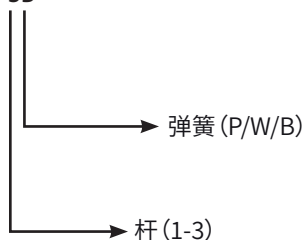
TT PRO 方锥头

TTPRO-PYR3B



TT PRO 夹具

TTPRO-30-3B



部件	部件号
扭力杆	406007 0.5 牛米 (1 点)
	406008 0.6 牛米 (2 点)
	406009 0.7 牛米 (3 点)
弹片	406014 紫色 (P)
	406015 白色 (W)
	406016 黑色 (B)

部件	部件号
M8x16 接受腔平头紧定螺丝	910474
M8x10 接受腔平头紧定螺丝	910476
M3x10 接受腔帽螺丝	910012
M4x4 接受腔凹端紧定螺丝	910013
M6x20 接受腔帽螺丝	910048
M6 锁销垫片	916150
弹簧帽垫片	406013
推力垫片	405031
渐进式锁止垫圈	406004
30 毫米连接管切削夹具	941237
TT 锁环扳手	940070

## 免责声明

制造商建议只在指定条件下和设计用途范围内使用本装置。本装置必须按照随附的使用说明进行维护。对于因使用未经制造商授权的部件组合而造成的损坏，制造商概不负责。

## 欧盟合规认证

本产品符合欧盟第“2017/745”号医疗器械法规的要求。根据该法规“附录 8”所列分类规则，本产品被归为 I 类医疗器械。查看欧盟《符合性声明》证书请访问下方网址：[www.blatchford.co.uk](http://www.blatchford.co.uk)



医疗器械



单人 - 多次使用

## 兼容性

如需将其他产品与 Blatchford 品牌的产品组合使用，须根据相关标准和医疗器械法规进行测试（包括结构测试、尺寸兼容性测试和现场性能监测），测试通过后方可获准。

与其他具有 CE 认证标识的产品组合使用时，必须遵循假肢技师出具的局部风险评估意见。

## 保修

本装置保修期为 24 个月。

用户应注意，在未经明确许可的情况下对装置进行改动或改装，可能会造成保修、使用牌照和免责条款失效。

最新完整保修声明见 Blatchford 网站。

## 严重事故报告

使用本装置不大可能发生严重事故，如若发生，应报知制造商以及您所在国家的主管部门。

## 环保事项

本产品由可回收材料制造。应尽可能根据当地的废物处理法规对部件进行回收处理。

## 保留包装标签

建议假肢技师保留包装标签，作为所购装置的一份记录。

## 制造商注册地址

Blatchford Products Limited, Lister Road, Basingstoke RG22 4AH, UK. (英国)

## 商标确认

TT Pro 和 Blatchford 是 Blatchford Products Limited 的注册商标。

100.....	المحتويات	
101.....	الوصف والغرض من الاستخدام	١
102.....	معلومات السلامة	٢
103.....	التركيب	٣
104.....	الوظيفة	٤
104.....	الصيانة	٥
104.....	قيود الاستخدام	٦
105.....	المحاذاة على طاولة العمل	٧
106.....	نصائح بشأن التركيب	٨
106.....	تفكيك الرأس الهلامي لـ TT Pro	٩
107.....	تجميع الرأس الهلامي لـ TT Pro	١٠
108.....	تفكيك قامطة TT Pro	١١
109.....	تجميع قامطة TT Pro	١٢
110.....	البيانات الفنية	١٣
112.....	معلومات الطلب	١٤



# ١ الوصف والغرض من الاستخدام

أُعِدَّت إرشادات الاستخدام المائلة بهدف أن يستخدمها كلُّ من المُمارِس والمُستخدِم ما لم يُنصَّ على خلاف ذلك. تُستخدم كلمة جهاز متى وَرَدَتْ في إرشادات الاستخدام المائلة للإشارة إلى منتج "TT Pro". يُرجى قراءة كل ما جاء في إرشادات الاستخدام والتأكد من فهمها، وخاصةً جميع معلومات السلامة وتعليمات الصيانة.

## الاستخدام

لا يُستخدم هذا الجهاز إلا بوصفه مكوِّنًا من مكونات طرف صناعي سفلي.

مخصص لمستخدم واحد.

هذا الجهاز عبارة عن جهاز صدمات والتواء يُوازِن بين امتصاص الصدمات وإدارة الطاقة. يُوفِّر الإجهاد المُخفَّف على السطح البيئي بين جسد المستخدم والطرف التعويضي مزيدًا من الراحة لمستخدميه.

مستوى النشاط

يُنصح بأن يستعمل هذا الجهاز المُستخدمون القادرون على بلوغ مستوى النشاط 3 أو 4. هنالك بعض الاستثناءات بطبيعة الحال، ونحن نُراعي في توصيتنا وجود ظروف خاصة واستثنائية، ومن ثم فإن أي قرار من هذا القبيل ينبغي أن يكون مشفوعًا بتبرير وافي وسليم.

ملاحظة... بالنسبة للمستخدمين الذين يمارسون نشاطًا من المستوى ٤، يبلغ الحد الأقصى لوزن المستخدم ١٠٠ كجم.

## مستوى النشاط 1

القدرة على أو إمكانية استخدام الطرف الصناعي في عمليات الانتقال أو السير على الأسطح المستوية بإيقاع ثابت. وهو المستوى المعتاد للقادرين على السير محدودة وغير محدودة بسرعة محدودة وغير محدودة.

## مستوى النشاط 2

القدرة على أو إمكانية السير مع القدرة على اجتياز الحواجز البيئية منخفضة المستوى مثل الرُصْفان، أو السلام، أو الأسطح غير المستوية. وهو المستوى المعتاد للقادرين على السير والتنقل في المجتمع باستقلالية بسرعة محدودة.

## مستوى النشاط 3

القدرة على أو إمكانية السير بإيقاع متغير.

عادةً ما يُقصد بذلك الأشخاص القادرون على السير والتنقل في المجتمع باستقلالية ممن لديهم القدرة على اجتياز معظم العوائق البيئية ويُحتمل أن يمارسوا نشاطًا مهنيًا أو علاجيًا أو تربيًا يتطلب استخدام طرف صناعي لغرض أكبر من مجرد التنقل.

## مستوى النشاط 4

القدرة على أو إمكانية السير باستخدام طرف صناعي مخصص لغرض يتخطى مهارات السير الأساسية، مع تحقيق مستويات مرتفعة من التأثير أو الضغط أو الطاقة. وعادةً ما تكون تلك هي متطلبات الطرف الصناعي للأطفال أو البالغين النشطين أو الرياضيين

## موانع الاستخدام

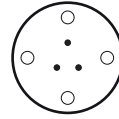
من المحتمل ألا يكون هذا الجهاز مناسبًا للأفراد الذين يمارسون أنشطة من المستوى 1 أو يشاركون في فعاليات رياضية تنافسية، إذ أنه سيكون من الأفضل لهؤلاء استخدام طرف صناعي مُحسَّن ومُصمَّم خصيصًا ليلتئم احتياجاتهم. تأكد من استيعاب المُستخدم لجميع إرشادات الاستخدام، مع لفت الانتباه بصفةٍ خاصة إلى معلومات الصيانة والسلامة.

## المناافع السريرية

- معدل تحميل مُنخفض على جدعة الطرف مُقارنَةً بالعواميد الصلبة
- ألَم الظهر أقل عند الانحناء مُقارنَةً بالعواميد الصناعية الصلبة
- سرعة المشي زائدة مُقارنَةً بالعواميد الصلبة

## اختيار النابض وقضيب الالتواء

مرتفع	مستوى التأثير		الوزن بالكيلو جرام
	مُعتدل	منخفض	
3W	2P	1P	52-44
3W	2W	2P	59-53
3B	3W	2P	68-60
3B	3W	2W	77-69
3B	3B	2W	88-78
3B	3B	3B	100-89
—	3B	3B	116-101
—	3B	3B	125-117



قضيب الالتواء

1 = نقطة واحدة

2 = نقطتان

3 = 3 نقاط



النايـض

P = بنفسجي اللون

W = أبيض اللون

B = أسود اللون



## ٢ معلومات السلامة

يرمز التحذير هذا لمعلومات السلامة المهمة التي يجب اتباعها بعناية.



لا يجب أن يتم تركيب الجهاز وصيانتته وإصلاحه إلا من قِبل طبيب مؤهل تأهيلاً مناسباً.

يجب على المستخدم الاتصال بطبيبه إذا تغيرت حالته.

عند القيادة، تأكد من استخدام المركبات المعدلة بشكل مناسب فقط. يجب على جميع الأشخاص مراعاة قوانين القيادة الخاصة بهم عند قيادة المركبات الآلية.

يجب استخدام الأحذية المناسبة التي تثبت بشكل آمن على غطاء القدم المطاطي في جميع الأوقات، وذلك لتقليل مخاطر الانزلاق والتعثر.

يجب إبلاغ مقدم الخدمة الخاص بك على الفور بأي تغيرات في أداء أو وظيفة الطرف، على سبيل المثال تقييد أو عدم سلاسة الحركة أو صدور ضجيج غير معتاد.

استخدم دائماً الدرابزين عند نزول الدرج وفي أي وقت آخر إذا كان متاحاً.

الجهاز غير مناسب لممارسة الرياضات العنيفة أو سباقات الدراجات أو الجري أو رياضات التزلج على الجليد والتلج أو السير على المنحدرات والمرتفعات الوعرة. أي ممارسة لهذه الأنشطة تكون على مسؤولية المستخدمين الخاصة بشكل تام. مسموح بركوب الدراجات على سبيل الترفيه.

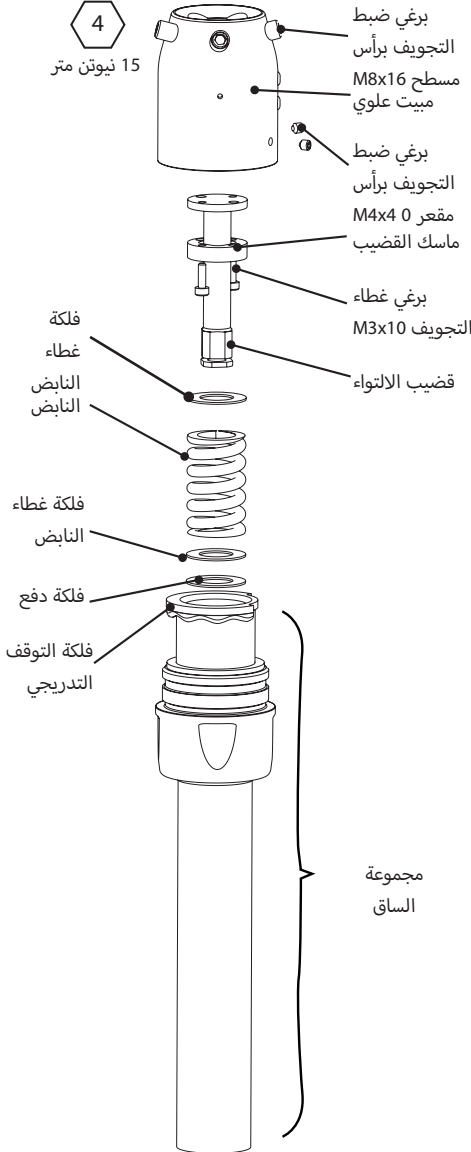
## ٣ التركيب

### الأجزاء الرئيسية

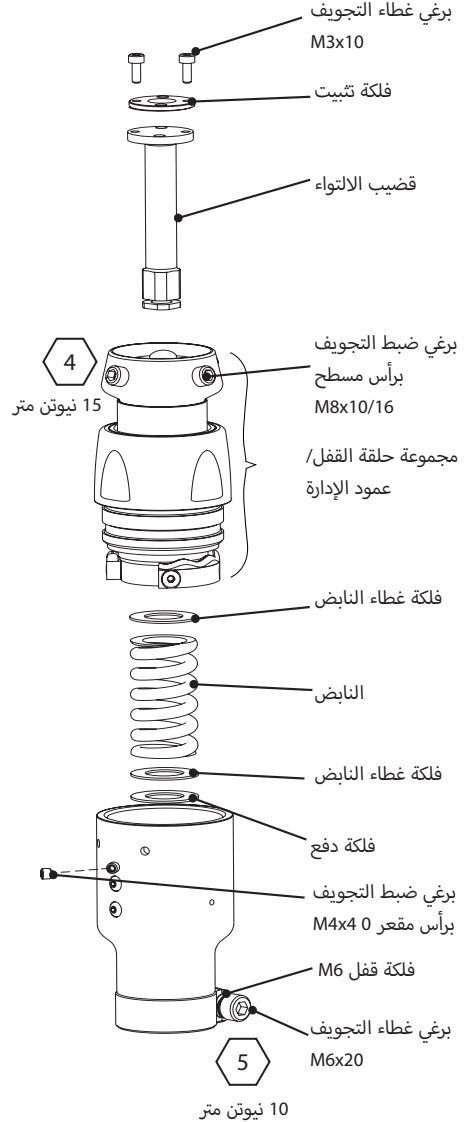
- مجموعة حلقة القفل/عمود الإدارة (فولاذ مقاوم للصدأ/ سبائك ألومنيوم)
- نابض (فولاذ كربوني)
- مجموعة الساق (فولاذ مقاوم للصدأ/ألومنيوم)

- مجموعة قامطة الأنبوب/المبيت العلوي (الألومنيوم، فولاذ كربوني، الفولاذ المقاوم للصدأ، بوليمر الأستاتال المتجانس، مُتعدّد رباعي فلورو الإيثيلين، بولي يوريثان)
- قضيب الالتواء (بوليمر الأستاتال المتجانس)

### الرأس الهرمي لـ TT Pro



### قامطة TT Pro



## ٤ الوظيفة

يحتوي هذا الجهاز على نابض لولبي مُوقر للطاقة وقضيب التواء مصنوع من البوليمر. تعمل هذه المكونات معاً على تقليل قوة القص عند السطح البيئي للتجفيف أثناء ملامسة العقب للأرض والأحمال الاتوائية أثناء الدوران. تستعاد الطاقة المُخزّنة في النابض المحوري أثناء طور الوقوف بمجرد رفع أصابع القدم عن الأرض بهدف إضفاء سلاسة على السير إلى جانب توفير الطاقة. أسطح المحامل مطلية بطبقة تتريد التيتانيوم التي تُوقر سطحاً خفيض الاحتكاك شديد التحمّل للأجزاء المتحركة.

## ٥ الصيانة

ينبغي توجيه النصيحة للمستخدم بإبلاغ المُمارس بما يلي:

- أي تغييرات تطرأ على وزن الجسم أو مستوى النشاط
- أي تغييرات تطرأ على أداء هذا الجهاز، ومنها على سبيل المثال:
- تقلقل أو ضجيج غير معتاد.
- انخفاض القدرة على استعادة الطاقة.

عند استخدام الجهاز في نشاط عنيف، فينبغي مراجعة مستوى الصيانة ومعدل تكرارها، ويمكن المطالبة بتقديم الدعم والتوجيه الفني بغية إعداد جدول صيانة جديد في ضوء معدل ممارسة النشاط وطبيعته. ويتم تحديد ذلك من خلال تقييم المخاطر المحلية الذي يُجره الفرد المؤهل على نحو مناسب.

## التنظيف

استخدم قطعة قماش رطبة وصابوناً لطيفاً لتنظيف الأسطح الخارجية. تجنب استخدام المنظفات القوية.

بقية الإرشادات الواردة في هذا القسم مُوجهة للممارس فقط.

يجب ألا يتم إجراء الصيانة إلا من خلال موظفين أكفاء.

تُنقذ أعمال الصيانة الآتية سنوياً:

- قم بفك الأجزاء وتنظيفها وتشحيمها حسبما هو مُبيّن في قسمي إرشادات التفكيك والتجميع ٩-١٢.
- تحقق من وجود تقلقل عند الدوران
- استبدل قضيب الالتواء إذا كان نالفاً

## ٦ قيود الاستخدام

### العمر التشغيلي المستهدف

يجب إجراء تقييم محلي للمخاطر بناءً على النشاط والاستخدام.

### رفع الأحمال

وزن المستخدم ونشاطه يخضعان للحدود المذكورة. يجب أن يستند الحمل الذي يحمله المستخدم إلى تقييم المخاطر المحلية.

### البيئة

يُنصح بتجنّب تعريض الجهاز لأي مواد أكالة مثل الماء والأمحاض وغيرها من السوائل الأخرى. يجب تفادي البيئة التي يحدث فيها احتكاك، مثل التي تحتوي على رمال، نظراً لاحتمال تسببها في التعجيل بالتآكل.

للاستخدام فقط في درجة حرارة تتراوح بين 15- درجة مئوية و50 درجة مئوية



مُناسب للأستخدامات الخارجية

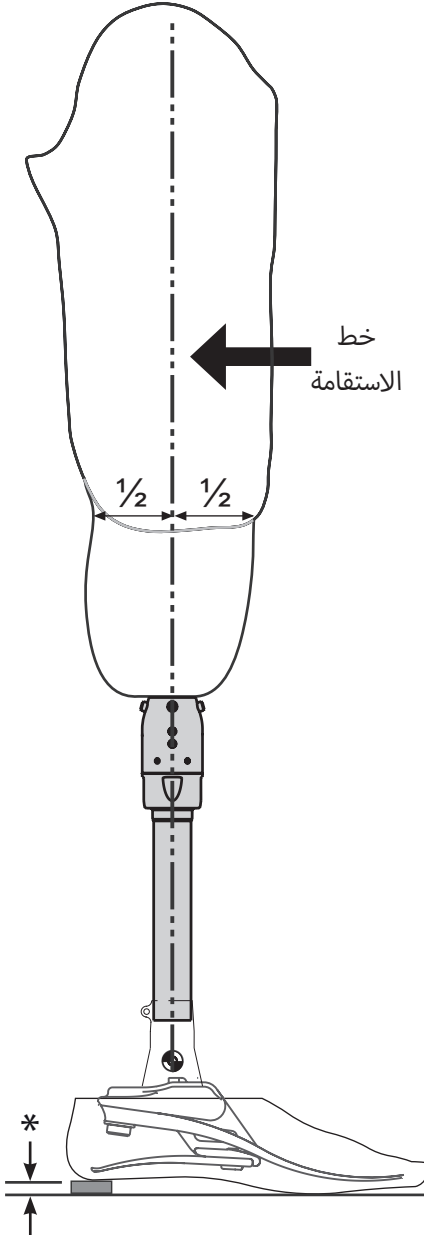
## ٧ المحاذاة على طاولة العمل

الإرشادات الواردة في هذا القسم مُوجهة للممارس فقط.

### مُكوّنات إضافية

اتبع إرشادات المحاذاة المُرفقة مع أي مُكوّنات إضافية.

ينبغي أن يمر خط الاستقامة عبر مركز الجهاز.



\* يسمح باستخدام أحذية المستخدم الخاصة.

## ٨ نصائح بشأن التركيب

الإرشادات الواردة في هذا القسم مُوجهة للممارس فقط.

يستخدم الجهاز نابضًا محوريًا حرًا وقضيب التواء للتحكم في مرونة الانضغاط والالتواء. في حالة السير العادي، ينبغي أن تتراوح الحركة المحورية النموذجية من 5 إلى 8 ملم.

قد يكون الانحراف الكلي مُفرطًا في حالة استخدام الجهاز مع أجهزة أخرى ذات ضغط محوري بتأثير تقصير إجمالاً على الطرف الصناعي. وقد يكون من المناسب في مثل هذه الحالات استخدام نابض محوري أشد صلابة. وينبغي التحقق من عمل النابض المحوري في حالة تغييره، وذلك بهدف التأكد من الحفاظ على مطاوعة الحركة الالتوائية.

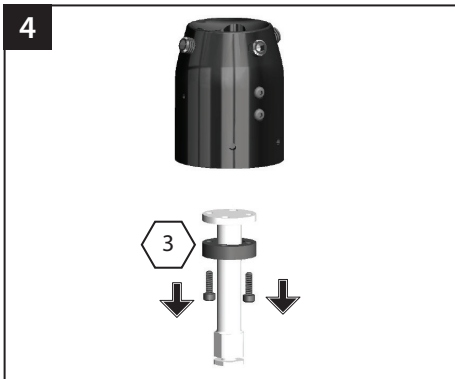
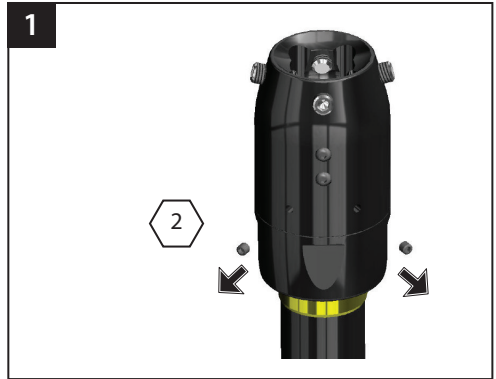
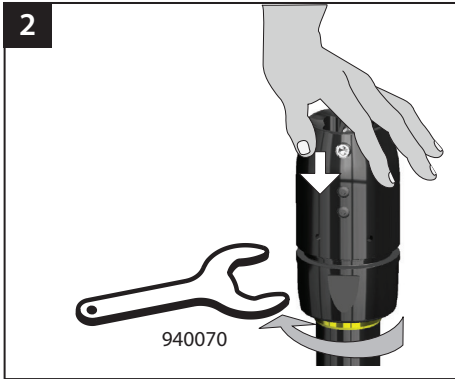
ومن الممكن أن تؤثر عملية المحاذاة على نطاق الحركة الدورانية. إذا كانت الحركة الالتوائية المُفرطة مصحوبةً باختلال التوازن في الوقفة المتأخرة، فهذه إشارة على عدم كفاية الثبات الجانبي الواسطي فضلاً عن وجود قصور بالوضعية الجانبية الوسطى للقدم بالنسبة لخط الوزن. إذا كان اختلال التوازن جانبياً، فعندئذٍ يلزم تغيير الوضعية الوسطى للقدم، أما إذا كان اختلال التوازن وسطياً، فعندئذٍ يلزم تغيير الوضعية الجانبية للقدم. ينبغي التحقق من إجراء مثل هذه التعديلات قبل التفكير في استخدام قضيب التواء أشد صلابة.

## ٩ تفكيك الرأس الهرمي لـ TT Pro

الإرشادات الواردة في هذا القسم مُوجهة للممارس فقط.

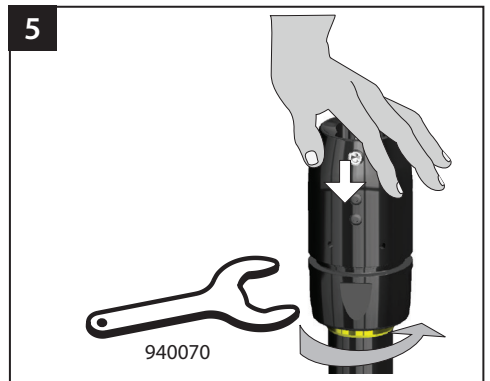
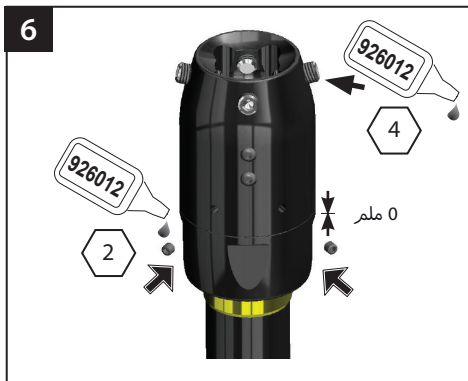
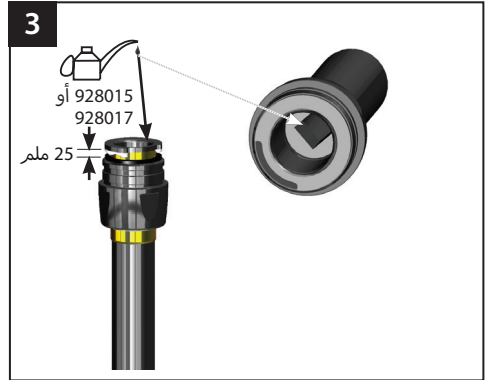
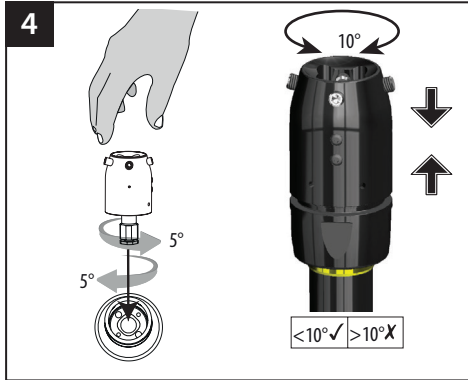
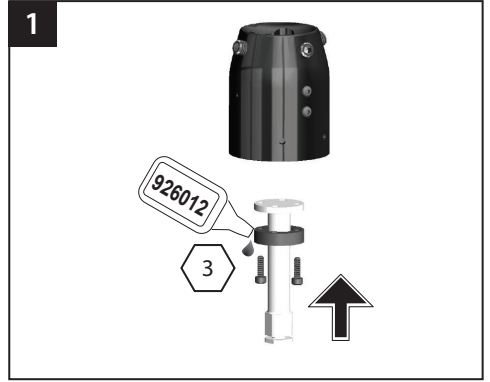
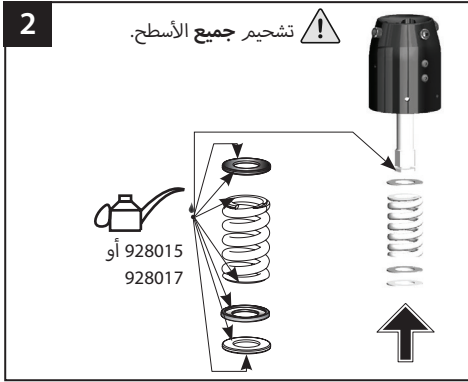
توخ الحذر طوال الوقت لتفادي خطر انحشار الإصبع. ⚠

يتعين استخدام معدات الصحة والسلامة المناسبة في سائر الأوقات، متضمنةً مرافق الاستخراج. ⚠



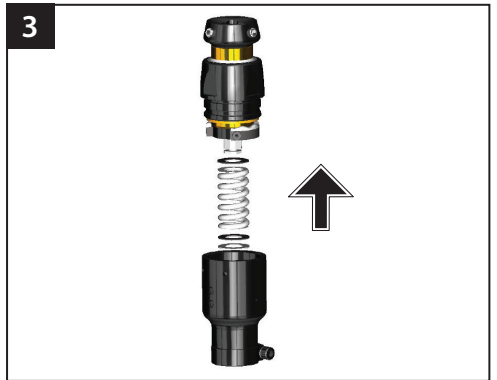
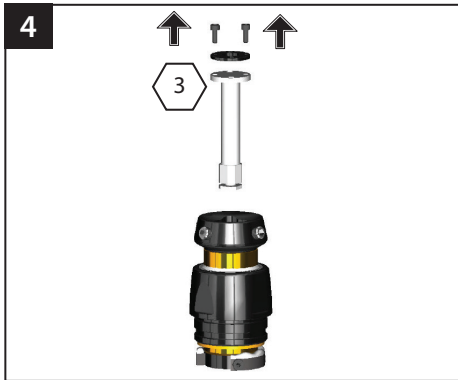
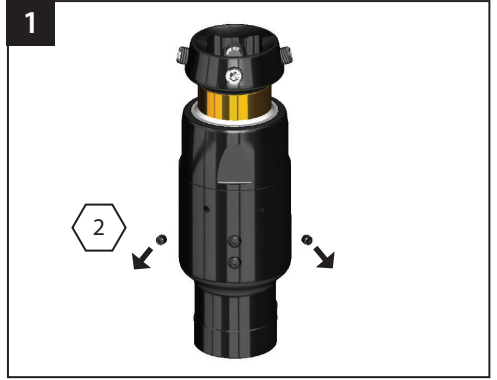
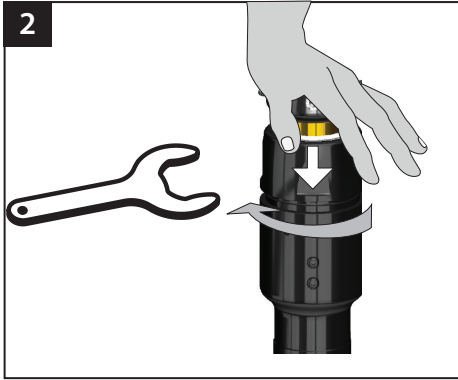
# ١٠ تجميع الرأس الهرمي لـ TT Pro

الإرشادات الواردة في هذا القسم موجهة للممارس فقط.



# 11 تفكيك قامطة TT Pro

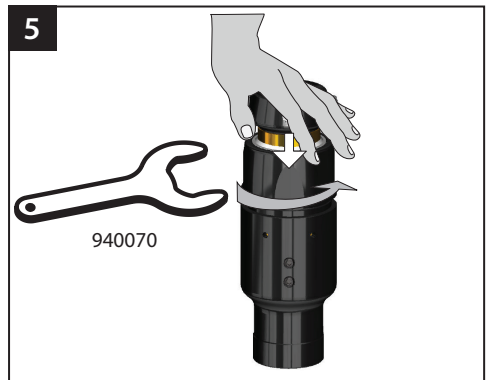
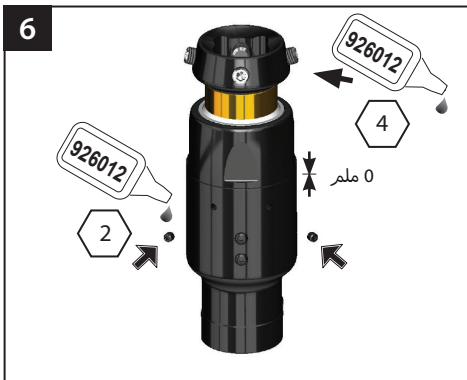
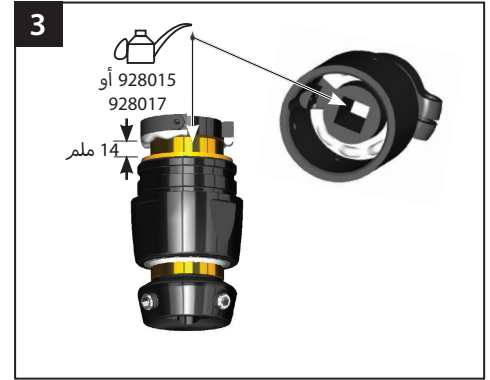
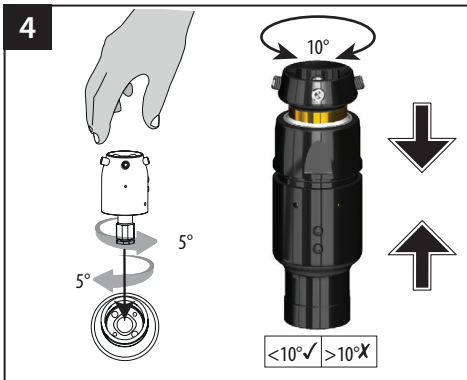
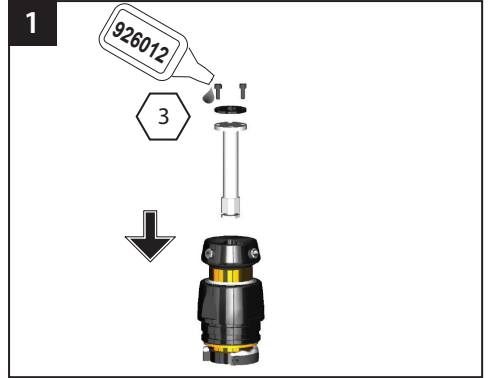
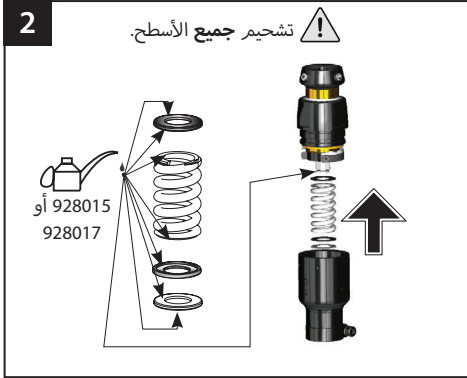
الإرشادات الواردة في هذا القسم موجهة للممارس فقط.





# ١٢ تجميع قامطة TT Pro

الإرشادات الواردة في هذا القسم موجهة للممارس فقط.



## ١٣ البيانات الفنية

15° - إلى 50° مئوية

نطاق درجة حرارة التشغيل والتخزين:

رأس هرمي - 523 جرامًا

وزن المُكوّن الأساسي:

قامطة - 440 جرامًا

1 إلى 4

مستوى النشاط:

مستويات النشاط من 1 إلى 3 - 125 كجم

الوزن الأقصى للمستخدم:

مستوى النشاط 4 - 100 كجم

الوصلة الدائنية: زاوية بمقدار  $\pm 7$  درجات

نطاق الضبط :

الوصلة القاصية: زاوية دوران 360 °

الرأس الهرمي لـ 135 - TT Pro - 226 ملم

ارتفاع الهيكل:

قامطة TT Pro - 109 ملم

رأس هرمي أنثى (Blatchford)

الوصلة الدائنية:

الرأس الهرمي لـ TT Pro - قامطة أنبوب قطر 30 ملم طراز

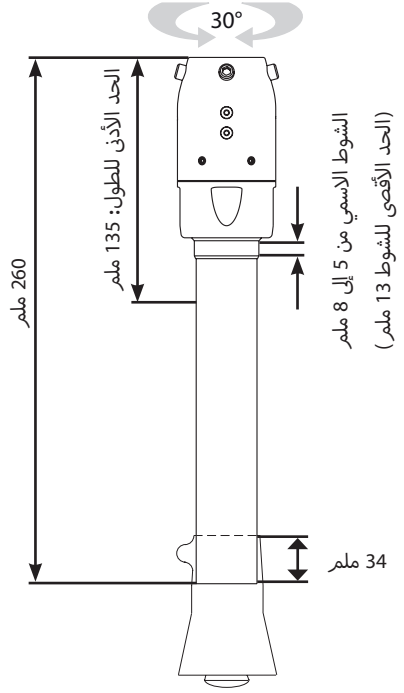
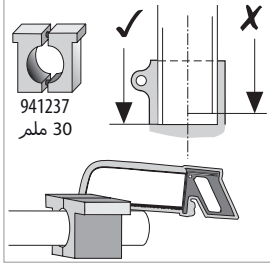
الوصلة القاصية:

"Blatchford"

قامطة TT Pro - أنبوب قطر 30 ملم طراز "Blatchford"

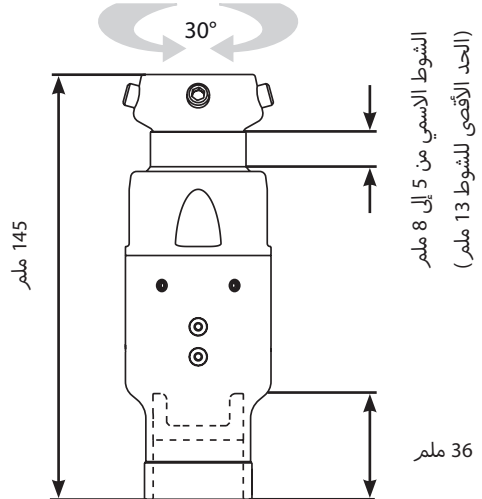
## طول الأجزاء: الرأس الهرمي لـ TT Pro

ملاحظة... يتم تركيب الجهاز بحيث تكون البراغي متجهة نحو مُقدِّمة الجهاز.



## طول الأجزاء: قامطة TT Pro

ملاحظة... يتم تركيب الجهاز بحيث تكون البراغي متجهة نحو مُقدِّمة الجهاز.



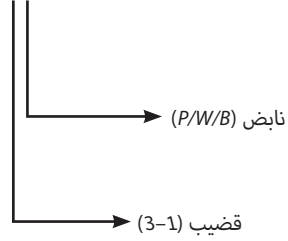
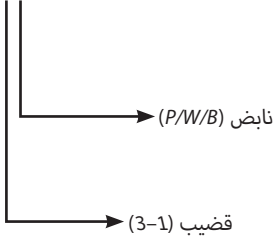
مثال على طلب الشراء

رأس هرمي لـ TT Pro

قامطة TT Pro

TTPRO-PYR3B

TTPRO-30-3B



رقم القطعة	القطعة
406007 0.5 نيوتن متر (نقطة واحدة)	قضيب الالتواء
406008 0.6 نيوتن متر (نقطتان)	
406008 0.6 نيوتن متر (3 نقاط)	
406014 بنفسي (P)	النابض
406015 أبيض (W)	
406016 أسود (B)	

رقم القطعة	القطعة
910474	برغي ضبط التجويف برأس مسطح M8x16
910476	برغي ضبط التجويف برأس مسطح M8x10
910012	برغي غطاء التجويف M3x10
910013	برغي ضبط التجويف برأس مقعر M4x4 0
910048	برغي غطاء التجويف M6x20
916150	فلكة قفل M6
406013	فلكة غطاء النابض
405031	فلكة دفع
406004	فلكة التوقف التدريجي
941237	جهاز قطع أنبوب الساق 30 ملم
940070	مفتاح ربط حلقة القفل TT

## المسؤولية

توصي الجهة المصنعة بقصر استخدام الجهاز على الظروف المحددة وأعراض الاستخدام المقصودة. يجب صيانة الجهاز وفقاً لإرشادات الاستخدام المرفقة مع الجهاز. لن تتحمل الجهة المصنعة أي مسؤولية عن أي ضرر ناجم عن استخدام مكونات لم تُصرَّح باستخدامها.

## المطابقة لمواصفات المفوضية الأوروبية (CE)

يستوفي هذا المنتج متطلبات اللائحة الأوروبية 2017/745 EU للأجهزة الطبية. تم تصنيف هذا المنتج كجهاز من الفئة 1 وفقاً لقواعد التصنيف الموضحة في الملحق الثامن من اللائحة. تتوفر شهادة إعلان المطابقة للمواصفات الأوروبية على الموقع الإلكتروني التالي: [www.blatchford.co.uk](http://www.blatchford.co.uk)

مريض واحد - استخدامات متعددة



جهاز طبي



## التوافق

اعتمدت عملية الاستخدام مع المنتجات التي تحمل علامة Blatchford استناداً إلى اختبارات أجريت طبقاً للمعايير ذات الصلة ولوائح الأجهزة الطبية متضمنة الاختبار الهيكلي وتوافق الأبعاد والأداء الميداني المرصود. ويجب أن يتم الاستخدام المتزامن مع المنتجات البديلة التي تحمل علامة المطابقة الأوروبية (CE) في ضوء تقييم المخاطر المحلية الموثق والذي يظطلع به أحد الممارسين.

## الضمان

هذا الجهاز مشمول بضمان مدته 24 شهراً. يجب أن يدرك المستخدم أن إجراء التغييرات أو التعديلات غير المعتمدة صراحة من شأنها أن تبطل الضمان وتراخيص التشغيل والإعفاءات.

يرجى الرجوع إلى موقع Blatchford الإلكتروني للحصول على بيان الضمان الكامل الحالي.

الإبلاغ عن الحوادث الخطيرة

في حالة وقوع حادث خطير غير متوقع يتعلق بهذا الجهاز، يجب إبلاغ الجهة المصنعة والسلطة الوطنية المختصة لديك.

## الجوانب البيئية

هذا المنتج مصنوع من مواد قابلة لإعادة التدوير. يجب إعادة تدوير المكونات وفقاً للوائح المحلية للتعامل مع النفايات حيثما أمكن.

## الاحتفاظ بملصق التغليف

يُنصح الممارس بالحفاظ على ملصق التغليف باعتباره مستنداً يُثبت اقتناء الجهاز.

## العنوان المسجل للجهة المصنعة

.Blatchford Products Limited, Lister Road, Basingstoke RG22 4AH, UK

## إقرارات العلامة لتجارية

تعد Blatchford و TT Pro علامتين تجاريتين مسجلتين لصالح شركة Blatchford Products Limited.

[blatchford.co.uk/distributors](http://blatchford.co.uk/distributors)

**Blatchford Products Ltd.**

Unit D Antura  
Kingsland Business Park  
Basingstoke  
RG24 8PZ  
UNITED KINGDOM  
Tel: +44 (0) 1256 316600  
Fax: +44 (0) 1256 316710  
Email: [customer.service@blatchford.co.uk](mailto:customer.service@blatchford.co.uk)  
[www.blatchford.co.uk](http://www.blatchford.co.uk)

**Blatchford Inc.**

1031 Byers Road  
Miamisburg  
Ohio 45342  
USA  
Tel: +1 (0) 800 548 3534  
Fax: +1 (0) 800 929 3636  
Email: [info@blatchfordus.com](mailto:info@blatchfordus.com)  
[www.blatchfordus.com](http://www.blatchfordus.com)

**Blatchford Europe GmbH**

Am Prime-Parc 4  
65479 Raunheim  
GERMANY  
Tel: +49 (0) 9221 87808 0  
Fax: +49 (0) 9221/87808 60  
Email: [info@blatchford.de](mailto:info@blatchford.de)  
[www.blatchford.de](http://www.blatchford.de)

Email: [contact@blatchford.fr](mailto:contact@blatchford.fr)  
[www.blatchford.fr](http://www.blatchford.fr)

**Endolite India Ltd.**

A4 Naraina Industrial Area  
Phase - 1  
New Delhi  
INDIA – 110028  
Tel: +91 (011) 45689955  
Fax: +91 (011) 25891543  
Email: [endolite@vsnl.com](mailto:endolite@vsnl.com)  
[www.endoliteindia.com](http://www.endoliteindia.com)

**Ortopro AS**

Hardangervegen 72  
Seksjon 17  
5224 Nesttun  
NORWAY  
Tel: +47 (0) 55 91 88 60  
Email: [post@ortopro.no](mailto:post@ortopro.no)  
[www.ortopro.no](http://www.ortopro.no)



Blatchford Europe GmbH  
Am Prime-Parc 4  
65479 Raunheim Germany

